



City of Belle Isle Job Site Permit Card

ROOF 2022-03-104

Class: Residential

Site Address: 2520 Trentwood Blvd. Belle Isle, FL 32812

Parcel Number: 30-23-30-1692-02-030

Municipality: Belle Isle

Description of Work:

ROOF for SFR / RE-ROOF

Number of Stories: One

ASPHALT SHINGLES with underlayment Square Footage: 3,343.

Comments: SEE APPLICATION

Issued: 3MG Roofing - Chandler, David

License # CCC1328182

Contact # 407-420-0201

Payment/ Issued Date & Method: 4 / 1 / 2022

- Picked up by, Forwarded to the mailing address, Emailed, Visa, Master Card, Amex, Discover, Check / Money Order#

61052 2520

OSHA approved ladder/access to the ROOF must be made available to the Inspector. vs

Table with 4 columns: ROOF, INSPECTOR, DATE, COMMENTS. Rows include NEW ROOFS ONLY, Both new & re-roof (Code 710), and Both new & re-roof (Code 720).

To schedule your inspection(s), please visit our website: http://uesbidportal.uesorl.com/citizenportal/ Please follow the prompts to schedule your inspection.

Universal Engineering Sciences 3532 Maggie Blvd. Orlando, FL 32811 Phone 407-581-8161 Fax 407-581-0313 www.universalengineering.com

WARNING TO OWNER: YOUR FAILURE TO RECORD A NOTICE OF COMMENCEMENT MAY RESULT IN YOUR PAYING TWICE FOR IMPROVEMENTS TO YOUR PROPERTY. IF YOU INTEND TO OBTAIN FINANCING, CONSULT WITH YOUR LENDER OR AN ATTORNEY BEFORE RECORDING YOUR NOTICE OF COMMENCEMENT.



CITY OF BELLE ISLE
 Universal Engineering Sciences 3532 Maggie Blvd., Orlando, FL 32811
 Tel 407-581-8161 * Fax 407-581-0313 * www.universaleengineering.com

RECEIVED
 MAR 29 2022

APPLICATION FOR ROOFING PERMIT

WARNING TO OWNER: YOUR FAILURE TO RECORD A NOTICE OF COMMENCEMENT MAY RESULT IN YOUR PAYING TWICE FOR IMPROVEMENTS TO YOUR PROPERTY. A NOTICE OF COMMENCEMENT MUST BE RECORDED AND POSTED ON THE JOB SITE BEFORE THE FIRST INSPECTION. IF YOU INTEND TO OBTAIN FINANCING, CONSULT WITH YOUR LENDER OR AN ATTORNEY BEFORE RECORDING YOUR NOTICE OF COMMENCEMENT.

DATE OF APPLICATION: _____ ROOF PERMIT NUMBER 2022-03-104

PLEASE PRINT. The undersigned hereby applies for a permit to make installations as indicated below:

Project Address 2520 TRENTWOOD BLVD, Belle Isle, FL 32809 X 32812
 Property Owner ELIJAH Pedone Phone (407) 902-6225
 Property Owner's Mailing Address 2520 TRENTWOOD BLVD City BELLE ISLE
 State FL Zip Code 32812 Parcel Id Number: 30-23-30-1692-02-030

REQUIRED! To obtain this information, please visit <http://www.ocpafi.org/Searches/ParcelSearch.aspx>

Class of Building: Old New Type of Building: Residential Commercial Other
 Type of Work: New Roof ReRoof

- **REQUIRED! Florida Product Approval Form** – NOTE: installation instructions must be posted on-site before your first inspection!!
- **OSHA Approved Access to the Roof must be made Available to the Inspector**

Please indicate the nature of work by completing the information below:

Roof Square Footage: 3343 Number of Stories: 1 Job Valuation: \$ 22568.73

Type: Asphalt Shingles Metal Modified Bitumen Other: _____

I hereby certify that the above is true and correct to the best of my knowledge and make Application for Permit as outlined above, and if same is granted I agree to conform to all Florida Building Code Regulations and City Ordinances regulating same and in accordance with plans submitted. The issuance of this permit does not grant permission to violate any applicable Town and/or State of Florida codes and/or ordinances. By signing below, I recognize JJ's Waste & Recycling is by legal contract the sole authorized provider of garbage, recycling, yard waste, and commercial garbage and construction debris collection and disposal services with the city limits of the City. Contractors, homeowners and commercial businesses may JJ's Waste & Recycling at 407 298-3932 setup accounts for Commercial, Construction Roll Off, or other services needed. Rates are fixed by contract and are available at City Hall or from JJ's Waste & Recycling. The City enforces the contract through its code enforcement office. Failure to comply will result in a stop work order.

LICENSE HOLDER SIGNATURE _____ LICENSE # CCC1328182
 LICENSE HOLDER NAME DAVID CHANDLER COMPANY NAME 3MG ROOFING
 Street Address 1127 SOLANA AVE
 City WINTER PARK State FL Zip Code 32789 Phone Number 407-420-0201
 Email Address PERMITS@3MGROOFING.COM

Zoning Fee	\$	<u>30.-</u>
Building Fee	\$	<u>113.-</u>
Review Fee	\$	<u>0</u>
1% BCAIB Fee	\$	<u>2 min</u>
1.5% DCA Fee	\$	<u>2 min</u>
Total Permit Fee	\$	<u>147.-</u>

Building Official: [Signature] Date 3-29-22
 NOCV
 Verified Contractor's Licenses & Insurance are on file _____ Date _____

NOTE: The Building Permit Number is required if the Roof Installation is associated with any construction or alteration where a Building Permit has been issued.

15711
22x4

25
88
113

PAID
4/4/2022
 AMEX 61052

Last Revised: 03-12-2020

<p>NOTICE OF COMMENCEMENT</p> <p>Permit No. _____</p> <p>Tax Folio No. _____</p> <p>THE UNDERSIGNED hereby gives notice that improvements will be made to certain real property, and in accordance with Section 713.13 of the Florida Statutes, the following information is provided in this NOTICE OF COMMENCEMENT.</p> <p>1. Description of property (legal description). <u>CONWAY SHORES V/SS LOT 5 BLK B + (SEE 80-23-30-1472-01-142 FOR V/SS INTEREST IN LOT 14 BLK A CONWAY SHORES V/SS) PK OR 1523/SLU</u></p> <p>a) Street (job) Address: <u>2520 Trentwood Boulevard</u></p> <p>2. General description of improvements: <u>Belle Isle, FL 32812</u></p> <p>COMPLETE RESIDENTIAL RE-ROOF</p> <p>3. Owner Information</p> <p>a) Name and address: <u>ELIAK PEDONE 2520 TRENTWOOD BLVD BELLE ISLE FL 32812</u></p> <p>b) Name and address of fee simple titleholder (if other than owner) _____</p> <p>c) Interest in property: <u>OWNER</u></p> <p>4. Contractor Information</p> <p>a) Name and address: <u>3MG ROOFING 1127 Sofana Ave Winter Park, FL 32789</u></p> <p>b) Telephone No.: <u>407-490-0201</u> Fax No. (Opt.) _____</p> <p>5. Surety Information</p> <p>a) Name and address: _____</p> <p>b) Amount of Bond: _____</p> <p>c) Telephone No.: _____ Fax No. (Opt.) _____</p> <p>6. Lender</p> <p>a) Name and address: _____ Phone No. _____</p> <p>7. Identity of person within the State of Florida designated by owner upon whom notices or other documents may be served:</p> <p>a) Name and address: _____</p> <p>b) Telephone No.: _____ Fax No. (Opt.) _____</p> <p>8. In addition to himself, owner designates the following person to receive a copy of the Lienor's Notice as provided in Section 713.13(1)(b), Florida Statutes:</p> <p>a) Name and address: _____</p> <p>b) Telephone No.: _____ Fax No. (Opt.) _____</p> <p>9. Expiration date of Notice of Commencement (the expiration date is one year from the date of recording unless a different date is specified): _____</p> <p>WARNING TO OWNER: ANY PAYMENTS MADE BY THE OWNER AFTER THE EXPIRATION OF THE NOTICE OF COMMENCEMENT ARE CONSIDERED IMPROPER PAYMENTS UNDER CHAPTER 713, PART I, SECTION 713.13, FLORIDA STATUTES, AND CAN RESULT IN YOUR PAYING TWICE FOR IMPROVEMENTS TO YOUR PROPERTY. A NOTICE OF COMMENCEMENT MUST BE RECORDED AND POSTED ON THE JOB SITE BEFORE THE FIRST INSPECTION. IF YOU INTEND TO OBTAIN FINANCING, CONSULT YOUR LENDER OR AN ATTORNEY BEFORE COMMENCING WORK OR RECORDING YOUR NOTICE OF COMMENCEMENT.</p> <p>STATE OF FLORIDA COUNTY OF HILLSBOROUGH</p> <p style="text-align: right;">10. <u>[Signature]</u> Signature of Owner or Owner's Authorized Officer/Director/Partner/Manager <u>Elia Pedone</u> Print Name</p> <p>The foregoing instrument was acknowledged before me by means of <input checked="" type="checkbox"/> physical presence or <input type="checkbox"/> online notarization, this <u>25</u> day of <u>MARCH</u>, <u>2022</u>, by <u>Elia Pedone</u> (name of person acknowledging)</p> <p><u>Brianna Reyes</u> Print, Type, or Stamp Commissioned Name of Notary Public</p> <p>Personally Known OR Produced Identification Type of Identification Produced: <u>FL DR License</u> AND _____</p> <div style="border: 1px solid black; padding: 5px; width: fit-content; margin: 0 auto;"> <p>Notary Public State of Florida Brianna N Reyes My Commission MH 017354 Exp. 7/1/2024</p> </div> <p>Verification pursuant to Section 92.525, Florida Statutes. Under penalties of perjury, I declare that I have read the foregoing and that the facts stated in it are true to the best of my knowledge and belief.</p> <p style="text-align: right;"><u>[Signature]</u> Signature of Natural Person Signing (in line # 10) Above</p>	
--	--



CITY OF BELLE ISLE ROOF PRODUCT APPROVAL FORM
 Universal Engineering Sciences 3532 Maggie Blvd., Orlando, FL 3281
 Tel 407-581-8161 * Fax 407-581-0313 * www.universalengineering.com
 THE RED SECTION IS FOR OFFICIAL USE ONLY – DO NOT FILL OUT THIS SECTION

DATE: 03/25/22

PERMIT # 2022-03-104

PROJECT ADDRESS 2520 TRENTWOOD BLVD Belle Isle, FL 32809 32812

As required by Florida Statue 553.842 and Florida Administrative Code 9B-72m, please provide the information and approval numbers of the building components listed below if they will be utilized on the building or structure. FL Approved products are listed online at www.floridabuilding.org or can be obtained from the local product supplier. The following information must be turned in with permit application and available onsite for inspections:

- This Product Approval Cover Sheet
- Internet screen printout from FloridaBuilding.Org showing PA#, approval code and edition stamped
- Manufacturer's installation details from FloridaBuilding.Org and requirements for each product stamped
- The installation instructions must be posted on-site before your first inspection

Product Type	Manufacturer	Model/Series	FL Product Approval #
ROOFING PRODUCTS			
Asphalt Shingles	GAF		FL# 10124-R31 Version: .1
Non Structural Metal			FL# Version:
Roofing Tiles			FL# Version:
Single Ply Roof			FL# Version:
Modified Bitumen			FL# Version:
Underlayment	GAF		FL# 10626-R23 Version: .1
Skylights	Kennedy		FL# 15592-R4 Version: .7
Other			FL# Version:

Roof Products & Underlayment must have a Product Approval Form with Type of Material & Product Approval Codes the FL 7th Edition 2020 must be utilized for each product.

Description of Work: ROOF for SFR Detached Garage Shed Boat Dock Boat House

Provide a breakdown of square footage for the following applicable products:

Asphalt Shingles 3343 SQFT. Modified Bitumen _____ SQFT. Metal _____ SQFT. Tile _____ SQFT.
 Other _____ : _____ SQFT.

It is the applicant's responsibility to verify that specific products have been installed in accordance with their limitations and with the minimum required design pressures for the structure. Specific compliance will be verified during field inspections.

Applicant Signature 

Date 3/25/22



[BCIS Home](#) |
 [Log In](#) |
 [User Registration](#) |
 [Hot Topics](#) |
 [Submit Surcharge](#) |
 [Stats & Facts](#) |
 [Publications](#) |
 [Contact Us](#) |
 [BCIS Site Map](#) |
 [Links](#) |
 [Search](#)



Product Approval
USER: Public User

[Product Approval Menu](#) >
 [Product or Application Search](#) >
 [Application List](#) >
 Application Detail



FL #	FL10124-R31
Application Type	Revision
Code Version	2020
Application Status	Approved

Comments
Archived

Product Manufacturer Address/Phone/Email	GAF 1 Campus Drive Parsippany, NJ 07054 (800) 766-3411 mstleh@gaf.com
--	--

Authorized Signature	Robert Nieminen ireth@nemoetc.com
-----------------------------	--------------------------------------

Technical Representative Address/Phone/Email	William Broussard 1 Campus Drive Parsippany, NJ 07054 (800) 766-3411 TechnicalQuestionsGAF@gaf.com
--	--

Quality Assurance Representative
Address/Phone/Email

Category	Roofing
Subcategory	Asphalt Shingles

Compliance Method	Evaluation Report from a Florida Registered Architect or a Licensed Florida Professional Engineer Evaluation Report - Hardcopy Received
--------------------------	---

Florida Engineer or Architect Name who developed the Evaluation Report	Robert Nieminen
Florida License	PE-59166
Quality Assurance Entity	UL LLC
Quality Assurance Contract Expiration Date	12/16/2022
Validated By	John W. Knezevich, PE
	Validation Checklist - Hardcopy Received

Certificate of Independence	FL10124 R31 COI 2021 01 COI NIEMINEN.pdf
------------------------------------	--

Referenced Standard and Year (of Standard)	Standard	Year
	ASTM D1970	2015
	ASTM D3161	2016
	ASTM D3462	2010
	ASTM D7158	2019
	TAS 107	2020

Equivalence of Product Standards

Certified By

Sections from the Code

Product Approval Method

Method 1 Option D

Date Submitted

08/12/2021

Date Validated

08/16/2021

Date Pending FBC Approval

08/22/2021

Date Approved

10/12/2021

Summary of Products

FL #	Model, Number or Name	Description
10124.1	GAF Asphalt Roof Shingles	Fiberglass reinforced 3-tab, laminated, 5-tab and hip/ridge asphalt shingles
Limits of Use Approved for use in HVHZ: No Approved for use outside HVHZ: Yes Impact Resistant: N/A Design Pressure: N/A Other: Refer to ER, Section 5.		Installation Instructions FL10124 R31 II 2021 08 04 FINAL ER GAF ASPHALT SHINGLES FL10124-R31.pdf Verified By: Robert Nieminen PE-59166 Created by Independent Third Party: Yes Evaluation Reports FL10124 R31 AE 2021 08 04 FINAL ER GAF ASPHALT SHINGLES FL10124-R31.pdf Created by Independent Third Party: Yes



Contact Us :: [2601 Blair Stone Road, Tallahassee FL 32399](#) Phone: 850-487-1824

The State of Florida is an AA/EEO employer. [Copyright 2007-2013 State of Florida](#). :: [Privacy Statement](#) :: [Accessibility Statement](#) :: [Refund Statement](#)

Under Florida law, email addresses are public records. If you do not want your e-mail address released in response to a public-records request, do not send electronic mail to this entity. Instead, contact the office by phone or by traditional mail. If you have any questions, please contact 850.487.1395. *Pursuant to Section 455.275(1), Florida Statutes, effective October 1, 2012, licensees licensed under Chapter 455, F.S. must provide the Department with an email address if they have one. The emails provided may be used for official communication with the licensee. However email addresses are public record. If you do not wish to supply a personal address, please provide the Department with an email address which can be made available to the public. To determine if you are a licensee under Chapter 455, F.S., please click [here](#).



Credit Card
Safe

SECURITYMETRICS



NEMO|etc.

Certificate of Authorization #32455
353 Christian Street, Unit #13
Oxford, CT 06478
(203) 262-9245

ENGINEER

EVALUATE

TEST

CONSULT

EVALUATION REPORT

GAF

1 Campus Drive
Parsippany, NJ 07054
(800) 766-3411

Evaluation Report 01506.01.08-R33

FL10124-R31

Date of Issuance: 01/03/2008

Revision 33: 08/04/2021

SCOPE:

This Evaluation Report is issued under **Rule 61G20-3** and the applicable rules and regulations governing the use of construction materials in the State of Florida. The documentation submitted has been reviewed by Robert Nieminen, P.E. for use of the product under the Florida Building Code. The product described herein has been evaluated for compliance with the **7th Edition (2020) Florida Building Code** sections noted herein.

DESCRIPTION: GAF Asphalt Roof Shingles for use in FBC non-HVHZ jurisdictions

LABELING: Labeling shall be in accordance with the requirements of the Accredited Quality Assurance Agency noted herein and **FBC 1507.2.7.1 / R905.2.6.1**

CONTINUED COMPLIANCE: This Evaluation Report is valid until such time as the named product(s) changes, the referenced Quality Assurance or production facility location(s) changes, or Code provisions that relate to the product(s) change. Acceptance of our Evaluation Reports by the named client constitutes agreement to notify NEMO ETC, LLC of any changes to the product(s), the Quality Assurance or the production facility location(s). NEMO ETC, LLC requires a complete review of its Evaluation Report relative to updated Code requirements with each Code Cycle.

ADVERTISEMENT: The Florida Product Approval Number (FL#) preceded by the words "**NEMO Evaluated**" may be displayed in advertising literature. If any portion of the Evaluation Report is displayed, then it shall be done in its entirety.

INSPECTION: Upon request, a copy of this entire Evaluation Report shall be provided to the user by the manufacturer or its distributors and shall be available for inspection at the job site at the request of the Building Official.

This Evaluation Report consists of pages 1 through 8.

Prepared by:



The facsimile seal appearing was authorized by Robert Nieminen, P.E. on 08/04/2021. This does not serve as an electronically signed document.

Robert J.M. Nieminen, P.E.

Florida Registration No. 59166, Florida DCA ANE1983

CERTIFICATION OF INDEPENDENCE:

1. NEMO ETC, LLC does not have, nor does it intend to acquire or will it acquire, a financial interest in any company manufacturing or distributing products it evaluates.
2. NEMO ETC, LLC is not owned, operated or controlled by any company manufacturing or distributing products it evaluates.
3. Robert Nieminen, P.E. does not have nor will acquire, a financial interest in any company manufacturing or distributing products for which the evaluation reports are being issued.
4. Robert Nieminen, P.E. does not have, nor will acquire, a financial interest in any other entity involved in the approval process of the product.
5. This is a building code evaluation. Neither NEMO ETC, LLC nor Robert Nieminen, P.E. are, in any way, the Designer of Record for any project on which this Evaluation Report, or previous versions thereof, is/was used for permitting or design guidance unless retained specifically for that purpose.



ROOFING SYSTEMS EVALUATION:

1. SCOPE:

Product Category: Roofing
Sub-Category: Asphalt Shingles
Compliance Statement: GAF Asphalt Roof Shingles, as produced by GAF, have demonstrated compliance with the following sections of the 7th Edition (2020) Florida Building Code through testing in accordance with the following Standards. Compliance is subject to the Installation Requirements and Limitations / Conditions of Use set forth herein.

2. STANDARDS:

Section	Property	Standard	Year
1507.2.4, R905.2.3	Material standard	ASTM D1970	2015
1507.2.5, R905.2.4	Material standard	ASTM D3462	2010
1507.2.7.1, R905.2.6.1	Wind Resistance	ASTM D3161	2016
1507.2.7.1, R905.2.6.1	Wind Resistance	ASTM D7158	2019
1507.2.7.1, R905.2.6.1	Wind Resistance	TAS 107	2020

3. REFERENCES:

Entity	Examination	Reference	Date
PRI (TST 5878)	Physical Properties	GAF-025-02-01	03/27/2002
PRI (TST 5878)	ASTM D3462	GAF-059-02-01	09/02/2004
PRI (TST 5878)	ASTM D3462	GAF-080-02-01	05/25/2005
PRI (TST 5878)	Physical Properties	GAF-324-02-01	12/01/2011
PRI (TST 5878)	ASTM D1970 (QuickStart)	GAF-340-02-01	03/13/2012
PRI (TST 5878)	ASTM D3462	GAF-897-02-01	11/08/2018
PRI (TST 5878)	ASTM D3462	GAF-898-02-01	11/08/2018
PRI (TST 5878)	ASTM D3462	GAF-899-02-01	11/15/2018
PRI (TST 5878)	ASTM D3462 (IN-MV)	376T0133	02/05/2021
PRI (TST 5878)	ASTM D3462 (CA-S)	376T0135	02/05/2021
PRI (TST 5878)	ASTM D3462 (IN-MV)	376T0163	04/20/2021
UL (TST 1740)	ASTM D3462	93NK6295	11/29/1993
UL (TST 1740)	ASTM D3462	99NK43835	01/12/2000
UL (TST 1740)	TAS 107	94NK9632	03/29/2000
UL (TST 1740)	ASTM D3462	01NK06632	02/02/2001
UL (TST 1740)	ASTM D3161, TAS 107	01NK9226	05/21/2001
UL (TST 1740)	ASTM D3161	01NK37122	12/18/2001
UL (TST 1740)	ASTM D3462	01NK37122	12/19/2001
UL (TST 1740)	ASTM D3161, TAS 107	02NK12980	04/10/2002
UL (TST 1740)	ASTM D3161, TAS 107	02NK30871	09/09/2002
UL (TST 1740)	ASTM D3161	03CA5367	03/11/2003
UL (TST 1740)	ASTM D3462	03NK26444	10/17/2003
UL (TST 1740)	ASTM D3462	04NK13850	06/07/2004
UL (TST 1740)	ASTM D3161	04NK13850	06/23/2004
UL (TST 1740)	ASTM D3161	04NK30546	03/10/2005
UL (TST 1740)	ASTM D3462	04NK22009	05/06/2005
UL (TST 1740)	ASTM D3161	04NK22009	05/09/2005
UL (TST 1740)	ASTM D3462	05NK27924	02/10/2006
UL (TST 1740)	ASTM D3161	05NK27924	02/11/2006
UL (TST 1740)	ASTM D3161, D3462	06CA18077	06/05/2006
UL (TST 1740)	ASTM D3161, D3462	06CA18074	06/16/2006
UL (TST 1740)	ASTM D3161, D3462	06CA35251	10/18/2006
UL (TST 1740)	ASTM D3462	06CA31603	12/01/2006
UL (TST 1740)	ASTM D3161, D3462	06CA41095	12/27/2006
UL (TST 1740)	ASTM D3161	07NK05228	03/13/2007
UL (TST 1740)	ASTM D3161	06CA31611	04/04/2007
UL (TST 1740)	ASTM D3161	06CA61148	04/09/2007



<u>Entity</u>	<u>Examination</u>	<u>Reference</u>	<u>Date</u>
UL (TST 1740)	ASTM D3161, D3462	07CA31742	11/08/2007
UL (TST 1740)	ASTM D3161, D7158, D3462	08CA06100	03/13/2008
UL (TST 1740)	ASTM D3161, D3462	07CA55908	04/01/2008
UL (TST 1740)	ASTM D3161, D3462	09CA10592	03/26/2009
UL (TST 1740)	ASTM D3161, D3462	09CA06856	05/15/2009
UL (TST 1740)	ASTM D3161, D7158, D3462	09NK06647	08/01/2009
UL (TST 1740)	ASTM D3161, D7158, D3462	09CA27281	08/27/2009
UL (TST 1740)	ASTM D3161, D7158, D3462	10CA35554	03/05/2010
UL (TST 1740)	ASTM D3161, D7158, D3462	10CA13686	05/15/2010
UL (TST 1740)	ASTM D3462	10CA07264	05/27/2010
UL (TST 1740)	ASTM D3462	10CA11953	10/29/2010
UL (TST 1740)	ASTM D3161, D7158, D3462	10NK11951	10/30/2010
UL (TST 1740)	ASTM D3161, D7158, D3462	10NK12070	11/04/2010
UL (TST 1740)	ASTM D3161, D7158, D3462	08CA06100	01/30/2010
UL (TST 1740)	ASTM D3161, D7158, D3462	10CA53934	03/31/2011
UL (TST 1740)	ASTM D3161, D7158, D3462	11CA48924	10/22/2011
UL (TST 1740)	ASTM D3161, D7158, D3462	11CA47919	12/03/2011
UL (TST 1740)	ASTM D3161, D7158, D3462	11CA48408	12/08/2011
UL (TST 1740)	ASTM D3161, D7158, D3462	11CA48725	12/09/2011
UL, LLC. (TST 9628)	ASTM D3462	12CA34891	10/12/2012
UL, LLC. (TST 9628)	ASTM D3161, D7158, D3462	12CA58151	02/15/2013
UL, LLC. (TST 9628)	ASTM D3161	12CA38083	02/26/2013
UL, LLC. (TST 9628)	ASTM D3161	13CA32332	06/18/2013
UL, LLC. (TST 9628)	ASTM D3161	13CA37934	08/02/2013
UL, LLC. (TST 9628)	ASTM D3161, D7158, D3462	4786875675	07/17/2015
UL, LLC. (TST 9628)	ASTM D3161, D7158, D3462	4787434542	05/17/2016
UL, LLC. (TST 9628)	ASTM D3161, D7158, D3462	4788717529	09/09/2016
UL, LLC. (TST 9628)	ASTM D3161	4788698165	11/09/2018
UL, LLC. (TST 9628)	ASTM D3161	4788669132	12/13/2018
UL, LLC. (TST 9628)	ASTM D3161	4788891098	02/14/2019
UL, LLC. (TST 9628)	ASTM D3161, D7158, D3462	4788932264	08/16/2019
UL, LLC. (TST 9628)	ASTM D3161, D7158, D3462	4789115488	08/16/2019
UL, LLC. (TST 9628)	ASTM D3161, D7158, D3462	4789115488	10/03/2019
UL, LLC. (TST 9628)	ASTM D3161	4788959558	10/17/2019
UL, LLC. (TST 9628)	ASTM D3161, D7158, D3462	4786508528	11/01/2019
UL, LLC. (TST 9628)	ASTM D3161	4789132672	10/27/2020
UL, LLC. (TST 9628)	ASTM D3161	4789732437	04/15/2021
UL, LLC. (QUA 9625)	Quality Control	Service Confirmation	10/18/2018
UL, LLC. (QUA 9625)	Quality Control	Florida BCIS	Current

4. PRODUCT DESCRIPTION:

TABLE 1: ASPHALT SHINGLE COMPONENTS

Type	Product	Description	Material Standard	Plant(s)
Accessory Starter Strips	Pro-Start® Starter Strip Shingles (fka, Pro-Start® Eave/Rake Starter Strip Shingles)	starter strips for asphalt roof shingles	ASTM D3462	CA-S, IN-MV, TX-D
	QuickStart® Peel & Stick Starter Roll	mineral-surfaced, fiberglass-reinforced, self-adhering SBS modified bitumen starter strip, nominal 9-inch x 33 ft roll, for use with asphalt shingles with exposure of 6-inch or less	ASTM D1970	CA-S, IN-MV



TABLE 1: ASPHALT SHINGLE COMPONENTS

Type	Product	Description	Material Standard	Plant(s)
Accessory Starter Strips	StarterMatch® Starter Strip Shingles	color-coordinated starter strips for use with Grand Canyon® and Grand Sequoia® series asphalt shingles. StarterMatch® are installed as the second starter for Grand Canyon® and Grand Sequoia® series installations	ASTM D3462	CA-F
	WeatherBlocker™ Premium Starter Strip Shingles (fka, WeatherBlocker™ Premium Eave/Rake Starter Strip Shingles)	starter strips for asphalt roof shingles	ASTM D3462	IN-MV
Asphalt Shingles	Marquis WeatherMax®	fiberglass reinforced 3-tab asphalt roof shingles	ASTM D3462	IN-MV
	Royal Sovereign®			AL, CA-F, FL, GA, IN-MV, PA, TX-D
	Sentinel®			GA, IN-MV, TX-D
	Camelot® II			IN-MV
	Fortitude®			PA
	Glenwood®			IN-MV
	Grand Canyon®			CA-F, IN-MV
	Grand Sequoia®			CA-F, IN-MV
	Grand Sequoia® IR			CA-F, IN-MV
	Grand Sequoia® ArmorShield®			CA-F
	Grand Sequoia® AS			CA-F
	Timberline® American Harvest®			AL, CA-F, IN-MC, PA
	Timberline® AH			AL, CA-F, IN-MC, PA
	Timberline® ArmorShield® II			TX-E
	Timberline® AS II			TX-E
	Timberline® Cool Series			CA-F
	Timberline® CS			CA-F
	Timberline HD®			AL, CA-S, CA-F, FL, IN-MC, MD, MN, PA, TX-D, TX-E
	Timberline® HDZ™			AL, CA-F, CA-S, FL, IN-MC, MD, MN, PA, TX-D, TX-E
	Timberline® Natural Shadow®			AL, CA-S, IN-MC, MD, MN, PA, TX-D, TX-E
Timberline® NS	AL, CA-S, FL, IN-MC, MD, MN, PA, TX-D, TX-E			
Timberline Ultra HD®	AL, CA-S, IN-MC, MN, PA, TX-E			
Timberline® UHD	AL, CA-S, IN-MC, MN, PA, TX-E			
Woodland®	IN-MV			
Slateline™	fiberglass reinforced 5-tab asphalt roof shingle	ASTM D3462	IN-MV	
Hip & Ridge Shingles	Seal-A-Ridge® ArmorShield®	fiberglass reinforced, hip and ridge asphalt roof shingles	ASTM D3462	GA
	Seal-A-Ridge® AS			GA
	Seal-A-Ridge® Ridge Cap Shingles			GA, IN-MV
	Timbertex® Premium Ridge Cap Shingles			IN-MV



5. LIMITATIONS:

- 5.1 This is a building code evaluation. Neither NEMO ETC, LLC nor Robert Nieminen, P.E. are, in any way, the Designer of Record for any project on which this Evaluation Report, or previous versions thereof, is/was used for permitting or design guidance unless retained specifically for that purpose.
- 5.2 This Evaluation Report is not for use in FBC High Velocity Hurricane Zone jurisdictions (i.e., Broward and Miami-Dade Counties).
- 5.3 This Evaluation Report pertains to above-deck roof components. Roof decks and structural members shall be in accordance with FBC requirements to the satisfaction of the Authority Having Jurisdiction.
- 5.4 This Evaluation Report does not include evaluation of fire classification. Refer to **FBC 1505** for requirements and limitations regarding roof assembly fire classification. Refer to **FBC 2603** for requirements and limitations concerning the use of foam plastic insulation.
- 5.5 Wind Classification:** Refer to Section 6 for installation requirements to meet wind classifications

TABLE 2A: WIND CLASSIFICATIONS, ASPHALT SHINGLES	
Product	FBC Table 1507.2.7.1 or R905.2.6.1
Marquis WeatherMax®	ASTM D3161(F) & ASTM D7158(H)
Royal Sovereign®	ASTM D3161(F) & ASTM D7158(H)
Sentinel®	ASTM D3161(F) & ASTM D7158(H)
Camelot® II	ASTM D3161(F) & ASTM D7158(H)
Fortitude®	ASTM D3161(F) & ASTM D7158(H)
Glenwood®	ASTM D3161(F) & ASTM D7158(H)
Grand Canyon®	ASTM D3161(F) & ASTM D7158(H)
Grand Sequoia®	ASTM D3161(F) & ASTM D7158(H)
Grand Sequoia® IR	ASTM D3161(F) & ASTM D7158(H)
Grand Sequoia® ArmorShield®	ASTM D3161(F) & ASTM D7158(H)
Grand Sequoia® AS	ASTM D3161(F) & ASTM D7158(H)
Timberline® American Harvest®	ASTM D3161(F) & ASTM D7158(H)
Timberline® AH	ASTM D3161(F) & ASTM D7158(H)
Timberline® ArmorShield® II	ASTM D3161(F) & ASTM D7158(H)
Timberline® AS II	ASTM D3161(F) & ASTM D7158(H)
Timberline® Cool Series	ASTM D3161(F) & ASTM D7158(H)
Timberline® CS	ASTM D3161(F) & ASTM D7158(H)
Timberline HD®	ASTM D3161(F) & ASTM D7158(H)
Timberline® HDZ™	ASTM D3161(F) & ASTM D7158(H)
Timberline® Natural Shadow®	ASTM D3161(F) & ASTM D7158(H)
Timberline® NS	ASTM D3161(F) & ASTM D7158(H)
Timberline Ultra HD®	ASTM D3161(F) & ASTM D7158(H)
Timberline® UHD	ASTM D3161(F) & ASTM D7158(H)
Woodland®	ASTM D3161(F) & ASTM D7158(H)
Slateline™	ASTM D3161(F) & ASTM D7158(H)

5.5.1 Classification by ASTM D7158:

ASTM D7158, Class H applies only to **exposure category B or C** and a **building height of 60 feet or less**. Calculations by a qualified design professional are required for conditions outside these limitations. Contact the shingle manufacturer for data specific to each shingle.

TABLE 2B: WIND CLASSIFICATIONS, STARTER STRIPS AND HIP & RIDGE		
Type	Product	FBC Table 1507.2.7.1 or R905.2.6.1
Starter Strips	Pro-Start® Starter Strip Shingles (fka, Pro-Start® Eave/Rake Starter Strip Shingles)	ASTM D3161, Class F
	WeatherBlocker™ Premium Starter Strip Shingles (fka, WeatherBlocker™ Premium Eave/Rake Starter Strip Shingles)	ASTM D3161, Class F
Hip & Ridge Shingles	Seal-A-Ridge® ArmorShield®	ASTM D3161, Class F
	Seal-A-Ridge® AS	ASTM D3161, Class F
	Seal-A-Ridge® Ridge Cap Shingles	ASTM D3161, Class F
	Timbertex® Premium Ridge Cap Shingles	ASTM D3161, Class F (sealant required, See Section 6)

5.6 All components in the roof assembly shall have quality assurance audit in accordance with **F.A.C. Rule 61G20-3**. Refer to the Product Approval of the component manufacturer for components that are produced by a Product Manufacturer other than the report holder on Page 1 of this Evaluation Report.

6. INSTALLATION:

6.1 GENERAL:

- 6.1.1 Roof deck, slope, underlayment and fasteners shall comply with FBC 1507.2 / R905.2 and the shingle manufacturer's minimum requirements.
- 6.1.2 Underlayment shall be acceptable to GAF and shall hold current Florida Statewide Product Approval, or be Locally Approved per Rule 61G20-3, per FBC Sections 1507.2.3, 1507.2.4 or R905.2.3.
- 6.1.3 Fasteners shall be in accordance with manufacturer's published requirements, but not less than FBC 1507.2.6 or R905.2.5. Staples are not permitted.
- 6.1.4 GAF asphalt shingles are acceptable for use in reroof (tear-off) or recover applications, subject to the limitations set forth in FBC Section 1511 or R908 and GAF published installation instructions.

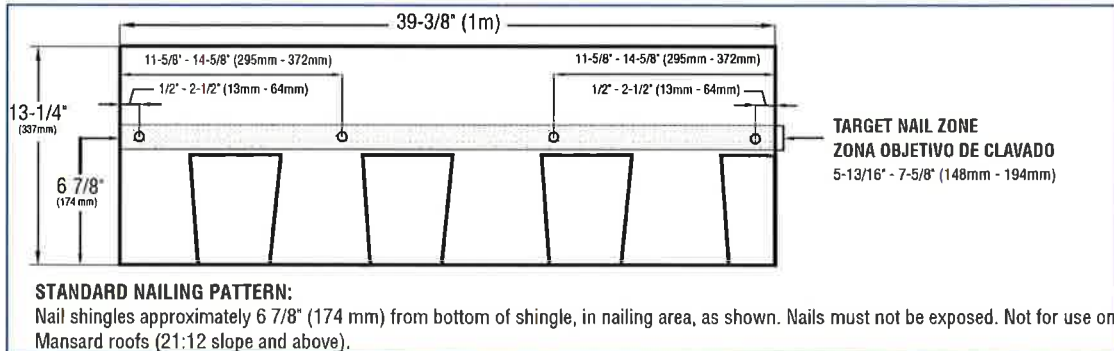
6.2 STARTER SHINGLES OR STARTER STRIP:

- 6.2.1 Installation of Pro-Start® Starter Strip Shingles (fka, Pro-Start® Eave/Rake Starter Strip Shingles), WeatherBlocker™ Premium Starter Strip Shingles (fka, WeatherBlocker™ Premium Eave/Rake Starter Strip Shingles) and QuickStart® Peel & Stick Starter Roll shall comply with the GAF current published instructions.

6.3 ASPHALT SHINGLES:

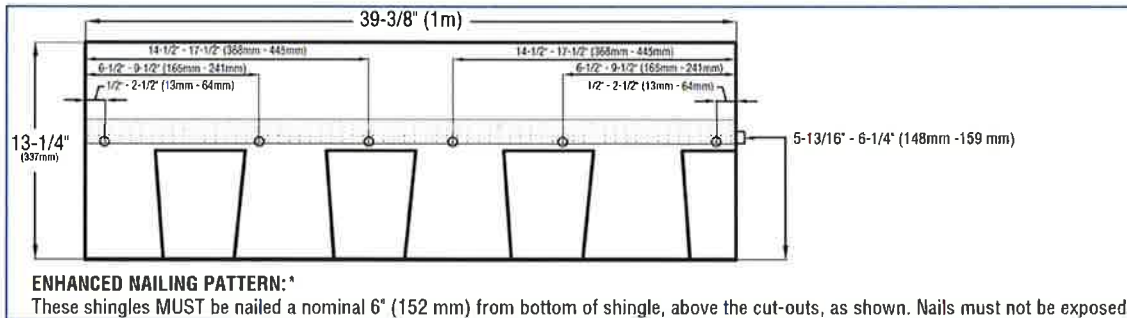
- 6.3.1 Installation of asphalt shingles shall comply with the GAF current published instructions, using minimum four (4) nails per shingle in accordance with FBC 1507.2.7 or R905.2.6, with the following exceptions:
 - Camelot® II, Grand Canyon®, Grand Sequoia®, Grand Sequoia® IR, Grand Sequoia® ArmorShield®, and Woodland® require minimum five (5) nails per shingle.
 - Slateline™ requires minimum six (6) nails per shingle.

6.3.2 Fastening for Fortitude®, Timberline® AH, Timberline® CS and Timberline® HDZ™; slopes 2:12 up to 21:12



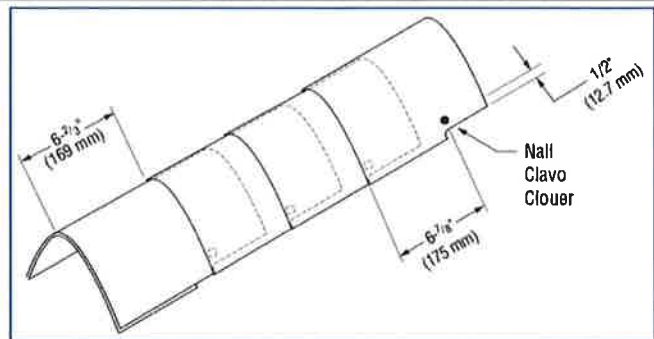
6.3.3 Where the roof slope exceeds 21 units vertical in 12 units horizontal, special methods of fastening are required. Contact the GAF for details.

Fastening for Fortitude®, Timberline® AH, Timberline® CS and Timberline® HDZ™; slopes greater than 21:12



6.4 HIP & RIDGE SHINGLES:

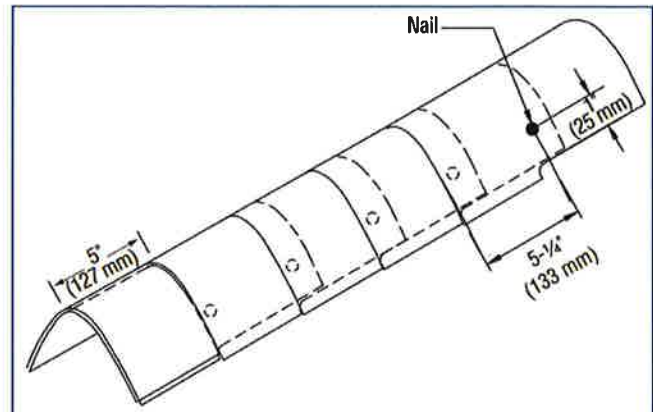
6.4.1 Installation of Seal-A-Ridge® Ridge Cap Shingles shall comply with the GAF current published instructions with a minimum two (2) nails, minimum 3/8-inch head diameter located 6-7/8-inch back from the exposed end and 0.5-inch from the edge.



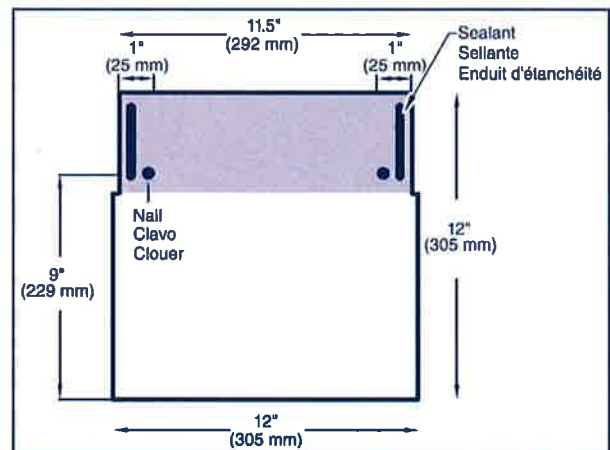


NEMO | etc.

6.4.2 Installation of Seal-A-Ridge® ArmorShield® and Seal-A-Ridge® AS shall comply with the GAF current published instructions with a minimum two (2) nails, minimum 3/8-inch head diameter, per shingle located 5.25-inch back from the exposed end and 1-inch from the edge.



6.4.3 Installation of Timbertex® Premium Ridge Cap Shingles shall comply with GAF current published instructions with a minimum two (2) nails, minimum 3/8-inch head diameter, per shingle and beads of Henkel “Loctite PL Roof & Flashing Polyurethane Sealant”.



7. BUILDING PERMIT REQUIREMENTS:

As required by the Building Official or Authority Having Jurisdiction to properly evaluate the installation of this product.

8. MANUFACTURING PLANTS:

Contact the named QA entity for manufacturing facilities covered by F.A.C. Rule 61G20-3 QA requirements. Refer to Section 4 herein for products and production locations having met codified material standards.

9. QUALITY ASSURANCE ENTITY:

UL LLC – QUA9625; (613) 371-2765; Jacob.Stewart@ul.com

- END OF EVALUATION REPORT -



Product Approval
USER: Public User

[Product Approval Menu](#) > [Product or Application Search](#) > [Application List](#) > **Application Detail**

OFFICE OF THE SECRETARY

FL #	FL10626-R23
Application Type	Revision
Code Version	2020
Application Status	Approved
Comments	
Archived	
Product Manufacturer	GAF
Address/Phone/Email	1 Campus Drive Parsippany, NJ 07054 (800) 766-3411 mstleh@gaf.com
Authorized Signature	Robert Nieminen ireith@nemoetc.com
Technical Representative	William Broussard
Address/Phone/Email	1 Campus Drive Parsippany, NJ 07054 (800) 766-3411 TechnicalQuestionsGAF@gaf.com
Quality Assurance Representative	
Address/Phone/Email	
Category	Roofing
Subcategory	Underlayments
Compliance Method	Evaluation Report from a Florida Registered Architect or a Professional Engineer Evaluation Report - Hardcopy Received
Florida Engineer or Architect Name who developed the Evaluation Report	Robert Nieminen
Florida License	PE-59166
Quality Assurance Entity	UL LLC
Quality Assurance Contract Expiration Date	12/31/2024
Validated By	John W. Knezevich, PE Validation Checklist - Hardcopy Received
Certificate of Independence	FL10626_R23_COI_2021_01_COI_NIEMINEN.pdf
Referenced Standard and Year (of Standard)	Standard ASTM D1970

ASTM D6757
 FM 4474
 FRSA/TRI, 6th Edition

Equivalence of Product Standards
 Certified By

Sections from the Code

Product Approval Method

Method 1 Option D

Date Submitted 12/16/2021
 Date Validated 12/19/2021
 Date Pending FBC Approval 12/23/2021
 Date Approved 02/08/2022

Summary of Products

FL #	Model, Number or Name	Description
10626.1	GAF Roof Underlayments for use in FBC non-HVHZ jurisdictions	Roofing Underlayments for use in sloped roof systems
Limits of Use Approved for use in HVHZ: No Approved for use outside HVHZ: Yes Impact Resistant: N/A Design Pressure: +N/A/-442.5 Other: 1.) The design pressure noted in this application relates to one particular underlayment system. Refer to ER Section 5.8.3 for details. 2.) Refer to ER Section 5 for other Limits of Use.		Installation Instructions FL10626 R23 II 2021 12 14 FINAL ER GAF UNDERL R23.pdf Verified By: Robert Niemien 59166 Created by Independent Third Party: Yes Evaluation Reports FL10626 R23 AE 2021 12 14 FINAL ER GAF UNDER R23.pdf Created by Independent Third Party: Yes



Contact Us :: 2601 Blair Stone Road, Tallahassee FL 32399 Phone: 850-487-1824

The State of Florida is an AA/EEO employer. Copyright 2007-2013 State of Florida. :: Privacy Statement :: Accessibility Statement ::

Under Florida law, email addresses are public records. If you do not want your e-mail address released in response to a public-records electronic mail to this entity. Instead, contact the office by phone or by traditional mail. If you have any questions, please contact 850.4 Section 455.275(1), Florida Statutes, effective October 1, 2012, licensees licensed under Chapter 455, F.S. must provide the Department they have one. The emails provided may be used for official communication with the licensee. However email addresses are public record supply a personal address, please provide the Department with an email address which can be made available to the public. To determine under Chapter 455, F.S., please click [here](#).

Product Approval Accepts:



Credit Card
Safe





NEMO | etc.

Certificate of Authorization #32455
353 Christian Street, Unit #13
Oxford, CT 06478
(203) 262-9245

ENGINEER

EVALUATE

TEST

CONSULT

EVALUATION REPORT

GAF

1 Campus Drive
Parsippany, NJ 07054
(800) 766-3411

Evaluation Report 01506.04.08-R23

FL10626-R23

Date of Issuance: 04/25/2008

Revision 23: 12/14/2021

SCOPE:

This Evaluation Report is issued under **Rule 61G20-3** and the applicable rules and regulations governing the use of construction materials in the State of Florida. The documentation submitted has been reviewed by Robert Nieminen, P.E. for use of the product under the Florida Building Code and Florida Building Code, Residential Volume. The products described herein have been evaluated for compliance with the **7th Edition (2020) Florida Building Code** sections noted herein.

DESCRIPTION: GAF Roof Underlayments for use in FBC non-HVHZ jurisdictions

LABELING: Labeling shall be in accordance with the requirements of the Accredited Quality Assurance Agency noted herein and FBC 1507.1.1.

CONTINUED COMPLIANCE: This Evaluation Report is valid until such time as the named product(s) changes, the referenced Quality Assurance or production facility location(s) changes, or Code provisions that relate to the product(s) change. Acceptance of our Evaluation Reports by the named client constitutes agreement to notify NEMO ETC, LLC of any changes to the product(s), the Quality Assurance or the production facility location(s). NEMO ETC, LLC requires a complete review of its Evaluation Report relative to updated Code requirements with each Code Cycle.

ADVERTISEMENT: The Florida Product Approval Number (FL#) preceded by the words "**NEMO Evaluated**" may be displayed in advertising literature. If any portion of the Evaluation Report is displayed, then it shall be done in its entirety.

INSPECTION: Upon request, a copy of this entire Evaluation Report shall be provided to the user by the manufacturer or its distributors and shall be available for inspection at the job site at the request of the Building Official.

This Evaluation Report consists of pages 1 through 8.

Prepared by:

Robert J.M. Nieminen, P.E.

Florida Registration No. 59166, Florida DCA ANE1983



The facsimile seal appearing was authorized by Robert Nieminen, P.E. on 12/14/2021. This does not serve as an electronically signed document.

CERTIFICATION OF INDEPENDENCE:

1. NEMO ETC, LLC does not have, nor does it intend to acquire or will it acquire, a financial interest in any company manufacturing or distributing products it evaluates.
2. NEMO ETC, LLC is not owned, operated or controlled by any company manufacturing or distributing products it evaluates.
3. Robert Nieminen, P.E. does not have nor will acquire, a financial interest in any company manufacturing or distributing products for which the evaluation reports are being issued.
4. Robert Nieminen, P.E. does not have, nor will acquire, a financial interest in any other entity involved in the approval process of the product.
5. This is a building code evaluation. Neither NEMO ETC, LLC nor Robert Nieminen, P.E. are, in any way, the Designer of Record for any project on which this Evaluation Report, or previous versions thereof, is/was used for permitting or design guidance unless retained specifically for that purpose.



ROOFING COMPONENT EVALUATION:

1. SCOPE:

Product Category: Roofing

Sub-Category: Underlayment

Compliance Statement: GAF Roof Underlayments, as produced by GAF, have demonstrated compliance with the following sections of the 7th Edition (2020) Florida Building Code through testing in accordance with the following Standards. Compliance is subject to the Installation Requirements and Limitations / Conditions of Use set forth herein.

2. STANDARDS:

Section	Property	Standard	Year
1504.3.1	Wind resistance	FM 4474	2011
1507.1.1, 1507.2.4, 1507.2.9.2 / R905.1.1, R905.2.8.2	Material standard	ASTM D1970	2015
1507.1.1.1(2&3, Exception), 1507.1.1.1(5) / R905.1.1.1(2&3, Exception), R905.1.1.1(5)	Tear Strength	ASTM D4533	2015
1507.1.1.1(2&3, Exception), 1507.1.1.1(5) / R905.1.1.1(2&3, Exception), R905.1.1.1(5)	Tensile strength	ASTM D5035	2011
1507.1.1.1(5) / R905.1.1.1(5)	Liquid water transmission	ASTM D4869	2016
1507.1.1 / R905.1.1	Material standard	ASTM D6757	2016
1507.3.3, R905.3.3	Material standard	FRSA/TRI, Sixth Edition	2018
1507.11.2	Material standard	ASTM D6164	2011
TAS 110	Accelerated Weathering	ASTM D4798	2011

3. REFERENCES:

Entity	Examination	Reference	Date
ERD (TST6049)	ASTM D1623 & FRSA/TRI (Slippage)	G34150.08.11	11/14/11
ERD (TST6049)	ASTM D6164 (GA)	G40630.01.14-2B-R2	01/07/14
ERD (TST6049)	ASTM D6164 (GA)	G46160.09.14-3A	09/09/14
ERD (TST6049)	ASTM D1970 (GA)	GAF-SC13285.03.17-3	03/01/17
ERD (TST6049)	ASTM D1970 (GA)	GAF-SC13285.03.17-4	03/01/17
ERD (TST6049)	ASTM D1970 (GA)	GAF-SC13285.03.17-1	03/08/17
ERD (TST6049)	ASTM D1970 (IN)	GAF-SC16440.12.17	12/31/17
Intertek (TST1558)	ASTM D4869 (Dadra, India)	F8549.02-106-18	11/08/16
NEMO (TST6049)	Physical Properties (ON)	4q-GAF-19-SSMBB-03.A	05/13/19
NEMO (TST6049)	ASTM D1623	4p-DOW-19-SSLAP-01.A-R2	10/01/19
NEMO (TST6049)	ASTM D1970	4j-FTS-20-SSUDL-01.A	12/01/20
NEMO (TST6049)	ASTM D1970	4j-GAF-20-SSUDL-01.A	12/22/20
NEMO (TST6049)	ASTM D4798, TAS 103	4j-GAF-20-SSUDL-02.A	03/15/21
NEMO (TST6049)	ASTM D4798	4j-FTS-21-SSUDL-02.A	06/09/21
PRI (TST5878)	ASTM D226 (OK)	GAF-339-02-01	03/13/12
PRI (TST5878)	Wind Uplift	GAF-434-02-01	09/16/13
PRI (TST5878)	Wind Uplift	GAF-434-02-03	09/16/13
PRI (TST5878)	Wind Uplift	GAF-434-02-04	09/16/13
PRI (TST5878)	ASTM D4533 (various)	GAF-818-02-01	12/05/17
PRI (TST5878)	ASTM D1970 (AL)	MSA-047-02-01	04/11/18
PRI (TST5878)	ASTM D4533 (Dadra, India)	GAF-847-02-01	06/04/18
PRI (TST5878)	ASTM D4533 (Dadra, India)	GAF-914-02-01	04/10/19
PRI (TST5878)	ASTM D4533, D5035 (VA)	376T0012	07/15/19
PRI (TST5878)	ASTM D4533 (Parzai, India)	376T0018	07/31/19
PRI (TST5878)	ASTM D4533 (Umerkui Kilvani, India)	376T0018	07/31/19
PRI (TST5878)	ASTM D1970 (AR)	376T0032	10/22/19
PRI (TST5878)	ASTM D4533 (Gujarat, India)	376T0058	02/18/20



Entity	Examination	Reference	Date
PRI (TST5878)	ASTM D226 (S-CA)	376T0054	02/18/20
PRI (TST5878)	ASTM D5035 (various)	376T0103	09/11/20
PRI (TST5878)	ASTM D4533, D5035 (Rajasthan, India)	376T0111	12/22/20
PRI (TST5878)	ASTM D4533, D5035 (Gujarat, India)	376T0113	12/22/20
PRI (TST5878)	ASTM D5035 (Gujarat, India)	376T0146	03/11/21
PRI (TST5878)	ASTM D4533, D5035 (Rajasthan, India)	376T0161	05/07/21
PRI (TST5878)	ASTM D226, Type II	376T0192	09/16/21
NEMO	Traceability	FBC Cross-Listing	04/22/20
NEMO	Traceability	FBC Cross-Listing	04/08/21
UL, LLC (QUA9625)	Quality Control	Service Confirmation (AL)	05/04/20
UL, LLC (QUA9625)	Quality Control	Service Confirmation (various)	06/10/21
UL, LLC (QUA9625)	Quality Control	Florida BCIS	Current

4. PRODUCT DESCRIPTION:

	Product	Material Standard	Plant(s)
4.1	GAF Extended Dry-In Membrane	ASTM D1970	Langley, BC Canada
4.2	Liberty™ SBS Self-Adhering Base/Ply Sheet	ASTM D1970	Mt. Vernon, IN Savannah, GA
4.3	StormGuard® Film-Surfaced Leak Barrier	ASTM D1970 (Table 1) ¹	Mt. Vernon, IN Savannah, GA
4.4	WeatherWatch® Mineral-Surfaced Leak Barrier	ASTM D1970	Arkadelphia, AR Savannah, GA Tuscaloosa, AL
4.5	Deck-Armor™ Premium Breathable Roof Deck Protection	1507.1.1.1(2&3, Exception) / R905.1.1.1(2&3, Exception)	Dadra, India
4.6	FeltBuster® Synthetic Roofing Felt	1507.1.1.1(2&3, Exception), 1507.1.1.1(5) / R905.1.1.1(2&3, Exception), R905.1.1.1(5)	Dadra, India Gujarat, India (CPP) Rajasthan, India (MIP) Rajasthan, India Richmond, VA Spartanburg, SC
4.7	Shingle-Mate® Roof Deck Protection	ASTM D226, Type II (Table 1)	Pryor, OK Shafter, CA
4.8	StormSafe™ Anchor Sheet	1507.1.1.1(2&3, Exception) / R905.1.1.1(2&3, Exception)	North Bay, ON
4.9	Tiger Paw™ Premium Roof Deck Protection	1507.1.1.1(2&3, Exception) / R905.1.1.1(2&3, Exception)	Dadra, India Gujarat, India Parzai, India Umerkui Kilvani, India
4.10	VersaShield® Fire-Resistant Roof Deck Protection	ASTM D226, Type II	Conover, NC
4.11	Ruberoid® Mop Granule	ASTM D6164 FRSA/TRI 09-18	Savannah, GA
4.12	Ruberoid® Mop Granule FR	ASTM D6164 FRSA/TRI 09-18	Savannah, GA

¹ StormGuard® Film-Surfaced Leak Barrier has been found through comparative testing to have a lesser coefficient of friction than ASTM D226 roofing felt when tested at standard laboratory conditions. Agreement between purchaser and seller, as set forth in Section 4.3, Note 1 of ASTM D1970-15, should be established as to slip resistance.



5. LIMITATIONS:

- 5.1 This is a building code evaluation. Neither NEMO ETC, LLC nor Robert Nieminen, P.E. are, in any way, the Designer of Record for any project on which this Evaluation Report, or previous versions thereof, is/was used for permitting or design guidance unless retained specifically for that purpose.
- 5.2 This Evaluation Report is not for use in FBC High Velocity Hurricane Zone jurisdictions (i.e., Broward and Miami-Dade Counties).
- 5.3 This Evaluation Report pertains to above-deck roof components. Roof decks and structural members shall be in accordance with FBC requirements to the satisfaction of the Authority Having Jurisdiction.
- 5.4 This Evaluation Report does not include evaluation of fire classification. Refer to **FBC 1505** for requirements and limitations regarding roof assembly fire classification. Refer to **FBC 2603** for requirements and limitations concerning the use of foam plastic insulation.
- 5.5 **GAF Roof Underlayments** may be used with any prepared roof cover where the product is specifically referenced within FBC approval documents. If not listed, a request may be made to the Authority Having Jurisdiction for approval based on this evaluation combined with supporting data for the prepared roof covering.
- 5.6 Allowable Roof Covers:

TABLE 1: ROOF COVER OPTIONS								
FBC Section:	1507.2	1507.3		1507.4 and 1507.5		1507.7	1507.8 and 1507.9	
Underlayment	Asphalt Shingles	Clay and Concrete Tile		Metal		Slate or Slate-Type Shingles	Wood	
		Mechanical Attach	Adhesive-Set	Panels	Shingles		Shingles	Shakes
GAF Extended Dry-In Membrane	Yes	No	No	Yes	Yes	Yes	Yes (joint strips, 1507.1.1.3 / R905.1.1.3)	Yes (joint strips, 1507.1.1.3 / R905.1.1.3)
Liberty™ SBS Self-Adhering Base/Ply Sheet	Yes	No	No	No	No	No	Yes (joint strips, 1507.1.1.3 / R905.1.1.3)	Yes (joint strips, 1507.1.1.3 / R905.1.1.3)
StormGuard® Film-Surfaced Leak Barrier	Yes	No	No	Yes	Yes	Yes	Yes (joint strips, 1507.1.1.3 / R905.1.1.3)	Yes (joint strips, 1507.1.1.3 / R905.1.1.3)
WeatherWatch® Mineral-Surfaced Leak Barrier	Yes	No	No	No	No	No	Yes (joint strips, 1507.1.1.3 / R905.1.1.3)	Yes (joint strips, 1507.1.1.3 / R905.1.1.3)
Deck-Armor™ Premium Breathable Roof Deck Protection	Yes	No	No	Yes	Yes	Yes	No	No
FeltBuster® Synthetic Roofing Felt	Yes	No	No	No	No	No	No	No
Shingle-Mate® Roof Deck Protection	Yes	No	No	No	No	No	No	No
Tiger Paw™ Premium Roof Deck Protection	Yes	No	No	Yes	Yes	Yes	No	No
VersaShield® Fire-Resistant Roof Deck Protection	Yes	No	No	No	No	No	No	No
Ruberoid® Mop Granule	No	Yes (Cap Sheet in 2-ply system)	Yes (Cap Sheet in 2-ply system) See 5.6.1	No	No	No	No	No
Ruberoid® Mop Granule FR	No	Yes (Cap Sheet in 2-ply system)	Yes (Cap Sheet in 2-ply system) See 5.6.1	No	No	No	No	No

5.6.1 Adhesive-set is limited to use of following underlayment / tile-adhesive combinations.

TABLE 1A: ALLOWABLE UNDERLAYMENT / TILE-ADHESIVE COMBINATIONS ²		
Underlayment	Adhesive	Florida Product Approval
Ruberoid® Mop Granule; Ruberoid® Mop Granule FR	Dupont "Tile Bond™ Roof Tile Adhesive"	FL22525

5.7 Allowable Substrates:

TABLE 2: SUBSTRATE OPTIONS FOR ADHERED UNDERLAYMENTS			
Underlayment	Application	Primer	Substrates
GAF Extended Dry-In Membrane	self-adhering	None	plywood
Liberty™ SBS Self-Adhering Base/Ply Sheet	self-adhering	(Optional) ASTM D41	plywood
StormGuard® Film-Surfaced Leak Barrier			
Weather Watch® Mineral-Surfaced Leak Barrier			
Liberty™ SBS Self-Adhering Base/Ply Sheet	self-adhering	None	ASTM D226 felt, Type II
StormGuard® Film-Surfaced Leak Barrier			
Weather Watch® Mineral-Surfaced Leak Barrier			
Liberty™ SBS Self-Adhering Base/Ply Sheet	self-adhering	ASTM D41	metal (flashing metal, valley metal, etc.)
StormGuard® Film-Surfaced Leak Barrier			
Weather Watch® Mineral-Surfaced Leak Barrier			
Ruberoid® Mop Granule	hot asphalt	ASTM D41	structural concrete
Ruberoid® Mop Granule FR			
Ruberoid® Mop Granule	hot asphalt	None	GAFGLAS® #80 Ultima™ Base Sheet or Ruberoid® 20 Smooth
Ruberoid® Mop Granule FR			

5.8 **Attachment Limitations:**

5.8.1 For use under mechanically attached NON-TILE prepared roof coverings, attachment shall be in accordance with the manufacturer's installation instructions, but – for mechanically attached underlayments or base sheets - not less than **FBC 1507.1.1** or **R905.1.1**.

5.8.2 For use under tile roof systems, attachment shall be in accordance with the manufacturer's installation instructions, but – for mechanically attached base sheets - not less than:

- **FRSA/TRI Florida High Wind Concrete and Clay Roof Tile Installation Manual**, Sixth Edition, Appendix A, Table 1 (for Two-Ply Asphalt Applied Hot Mop Underlayment)
or
- Section 5.8.3 herein (for other underlayment systems).

5.8.3 **Wind Resistance for Underlayment Systems in Tile Roof Applications:**

The following wind uplift limitations apply to underlayment systems that are not prescriptive in the **FRSA/TRI Florida High Wind Concrete and Clay Roof Tile Installation Manual**, Sixth Edition. The Maximum Design Pressure is the result of testing for wind load resistance based on allowable wind loads, and reflects the ultimate passing pressure divided by 2 (the 2 to 1 margin of safety per **FBC 1504.9** has already been applied).

5.8.3.1 **Direct-to-Deck:**

The maximum design pressure for the selected assembly shall meet or exceed that required under **FRSA/TRI Florida High Wind Concrete and Clay Roof Tile Installation Manual**, Sixth Edition, Appendix A, Table 1A or the critical (highest) design pressure determined in accordance with **FBC 1609** or **FBC Residential Chapter 3**.

² Refer to *Tile Manufacturer's or Adhesive Manufacturer's Florida Product Approval for Overturning Moment Resistance Performance*.

#1 Maximum Design Pressure = -442.5 psf.

- Deck: Min. 2,500 psi structural concrete to meet project requirements to satisfaction of Authority Having Jurisdiction
- Base Sheet: GAFGLAS #75 Base Sheet, Tri-Ply #75 Base Sheet, GAFGLAS #80 Ultima Base Sheet, GAFGLAS Ply 4, Tri-Ply Ply 4 or GAFGLAS Flex Ply 6 applied in full mopping of ASTM D312, Type IV hot asphalt at 20 to 25 lbs/square.
- Cap Sheet: Ruberoid® Mop Granule or Ruberoid® Mop Granule FR applied in full mopping of ASTM D312, Type IV hot asphalt at 20 to 25 lbs/square.

5.8.3.2 Mechanically-Attached Base Sheet:

The maximum design pressure for the selected assembly shall meet or exceed that required under **FRSA/TRI Florida High Wind Concrete and Clay Roof Tile Installation Manual**, Sixth Edition, Appendix A, Table 1A or the critical (highest) design pressure determined in accordance with **FBC 1609** or **FBC Residential Chapter 3**.

Alternatively, the maximum design pressure for the selected assembly shall meet or exceed at least the Zone 1 design pressure determined in accordance with **FBC 1609** or **FBC Residential Chapter 3**. Elevated pressure zones shall employ an attachment density designed by a qualified design professional to resist the elevated pressure criteria. Commonly used methods are ANSI/SPRI WD1, FM Loss Prevention Data Sheet 1-29 and Roofing Application Standard RAS 117. Assemblies marked with an asterisk* carry the limitations set forth in Section 2.2.10.1 of FM Loss Prevention Data Sheet 1-29 (February 2020) for enhancements.

#2 Maximum Design Pressure = -45 psf.

- Deck: Min. 19/32-inch plywood to meet project requirements to satisfaction of Authority Having Jurisdiction.
- Base Sheet: GAFGLAS® #80 Ultima™ Base Sheet or Ruberoid® 20 Smooth mechanically attached with 12 ga., min. 1.25-inch long ring shank nails through 32 ga., 1-5/8-inch diameter tin caps spaced 9-inch o.c. at the min. 4-inch wide side laps and 9-inch o.c. at two (2), equally spaced, staggered center rows in the field of the sheet.
- Cap Sheet: Ruberoid® Mop Granule or Ruberoid® Mop Granule FR applied in full mopping of ASTM D312, Type IV hot asphalt at 20 to 25 lbs/square.

#3 Maximum Design Pressure = -75 psf.

- Deck: Min. 19/32-inch plywood to meet project requirements to satisfaction of Authority Having Jurisdiction.
- Base Sheet: GAFGLAS® #80 Ultima™ Base Sheet or Ruberoid® 20 Smooth mechanically attached with 12 ga., min. 1.25-inch long ring shank nails through 32 ga., 1-5/8-inch diameter tin caps spaced 8-inch o.c. at the min. 4-inch wide side laps and 8-inch o.c. at three (3), equally spaced, staggered center rows in the field of the sheet.
- Cap Sheet: Ruberoid® Mop Granule or Ruberoid® Mop Granule FR applied in full mopping of ASTM D312, Type IV hot asphalt at 20 to 25 lbs/square.

#4 Maximum Design Pressure = -97.5 psf.

- Deck: Min. 19/32-inch plywood to meet project requirements to satisfaction of Authority Having Jurisdiction.
- Base Sheet: GAFGLAS® #80 Ultima™ Base Sheet or Ruberoid® 20 Smooth mechanically attached with 11 ga., min. 1.25-inch long ring shank nails through 32 ga., 1-5/8-inch diameter tin caps spaced 4-inch o.c. at the min. 2-inch wide side laps and 4-inch o.c. at four (4), equally spaced center rows in the field of the sheet.
- Cap Sheet: Ruberoid® Mop Granule or Ruberoid® Mop Granule FR applied in full mopping of ASTM D312, Type IV hot asphalt at 20 to 25 lbs/square.



5.9 Exposure Limitations:

TABLE 3: EXPOSURE LIMITATIONS		
Underlayment	Prepared Roof Cover Installation Type	Maximum Exposure (days)
Deck-Armor™ Premium Breathable Roof Deck Protection, FeltBuster® Synthetic Roofing Felt, Shingle-Mate® Roof Deck Protection, StormSafe™ Anchor Sheet, Tiger Paw™ Premium Roof Deck Protection, VersaShield® Fire-Resistant Roof Deck Protection, Liberty™ SBS Self-Adhering Base/Ply Sheet, StormGuard® Film-Surfaced Leak Barrier and WeatherWatch® Mineral-Surfaced Leak Barrier	Mechanically attached	30
GAF Extended Dry-In Membrane	Mechanically attached	180
Ruberoid® Mop Granule and Ruberoid® Mop Granule FR	Adhesive-set tile roof system	180
	Mechanically attached	UNLIMITED

5.10 Tile Slippage Limitations: When loading roof tiles on the underlayment in direct-deck tile roof assemblies, the maximum roof slope shall be as follows. These slope limitations can only be exceeded by using battens during loading of the roof tiles.

TABLE 4: TILE SLIPPAGE LIMITATIONS FOR DIRECT-DECK TILE INSTALLATIONS			
Underlayment	Tile Profile	Staging Method	Maximum Staging Slope
Ruberoid® Mop Granule	Flat	Max. 10-tile stack	4:12
	Flat	Max. 6-tile stack (4 over 2)	5:12
	Lugged	Max. 10-tile stack	5:12
Ruberoid® Mop Granule FR	Flat or Lugged	Max. 6-tile stack (4 over 2)	5:12
	Lugged	Max. 10-tile stack	4:12

6. INSTALLATION:

6.1 **GAF Roof Underlayments** shall be installed in accordance with **GAF** published installation instructions subject to the Limitations set forth in Section 5 herein and the specifics noted below.

6.2 Re-fasten any loose decking panels, and check for protruding nail heads. Sweep the substrate thoroughly to remove any dust and debris prior to application and prime the substrate (if applicable).

6.3 Deck-Armor™ Premium Breathable Roof Deck Protection or Tiger Paw™ Premium Roof Deck Protection:

6.3.1 Shall be installed in compliance with requirements for a synthetic underlayment in **FBC 1507.1.1.1(2, Exception) or 1507.1.1.1(3, Exception) or FBC Residential R905.1.1.1(2, Exception) or R905.1.1.1(3, Exception)** for the type of prepared roof covering to be installed, and the manufacturer’s installation instructions. FBC requirements take precedence over the manufacturer’s installation instructions.

6.4 FeltBuster® Synthetic Roofing Felt:

6.4.1 Shall be installed in compliance with requirements for a synthetic underlayment in **FBC 1507.1.1.1(2, Exception), 1507.1.1.1(3, Exception) or 1507.1.1.1(5) or FBC Residential R905.1.1.1(2, Exception), R905.1.1.1(3, Exception) or R905.1.1.1(5)** for the type of prepared roof covering to be installed, and the manufacturer’s installation instructions. FBC requirements take precedence over the manufacturer’s installation instructions.

6.5 StormSafe™ Anchor Sheet:

6.5.1 StormSafe™ Anchor Sheet is limited to use as a mechanically attached base layer in 2-ply underlayment systems.

6.5.2 Shall be installed in compliance with requirements for a synthetic underlayment in **FBC 1507.1.1.1(2, Exception) or 1507.1.1.1(3, Exception) or FBC Residential R905.1.1.1(2, Exception) or R905.1.1.1(3, Exception)** for the type of prepared roof covering to be installed, and the manufacturer’s installation instructions. FBC requirements take precedence over the manufacturer’s installation instructions.



6.5.3 One the same day, install Liberty™ SBS Self-Adhering Base/Ply; StormGuard® Film-Surfaced Leak Barrier or WeatherWatch® Mineral-Surfaced Leak Barrier over the StormSafe™ Anchor Sheet.

6.6 Shingle-Mate® Roof Deck Protection:

6.6.1 Shall be installed in compliance with requirements for an approved mechanically attached underlayment (ASTM D226, Type II) in **FBC Table 1507.1.1.1** or **FBC Residential Table R905.1.1.1** for the type of prepared roof covering to be installed, and the manufacturer’s installation instructions. FBC requirements take precedence over the manufacturer’s installation instructions.

6.7 VersaShield® Fire-Resistant Roof Deck Protection:

6.7.1 Shall be installed in compliance with requirements for an approved mechanically attached underlayment (ASTM D6757) in **FBC Table 1507.1.1.1** or **FBC Residential Table R905.1.1.1** for the type of prepared roof covering to be installed, and the manufacturer’s installation instructions. FBC requirements take precedence over the manufacturer’s installation instructions.

6.8 GAF Extended Dry-In Membrane, Liberty™ SBS Self-Adhering Base/Ply Sheet, StormGuard® Film-Surfaced Leak Barrier or WeatherWatch® Mineral-Surfaced Leak Barrier:

- 6.8.1 Shall be installed in compliance with requirements for an approved self-adhering underlayment (ASTM D1970) in **FBC 1507.1.1.1** or **1507.1.1.3** or **FBC Residential R905.1.1.1** or **R905.1.1.3** for the type of prepared roof covering to be installed, and the manufacturer’s installation instructions.
- 6.8.2 Back-nailing is required. Back-nailing shall consist of Approved cap nails spaced 18-inch o.c., encapsulated within min. 4-inch side laps.
- 6.8.3 When installed over a mechanically attached, FBC Approved ASTM D226 Type II felt, the felt shall be fastened in accordance with **FBC 1507.1.1** or **R905.1.1**.
- 6.8.4 **GAF Extended Dry-In Membrane, Liberty™ SBS Self-Adhering Base/Ply Sheet, StormGuard® Film-Surfaced Leak Barrier or WeatherWatch® Mineral-Surfaced Leak Barrier** may be installed as a secondary water barrier using minimum 4-inch wide rolls to seal plywood deck joints prior to installation of the primary underlayment system.

6.9 Ruberoid® Mop Granule; Ruberoid® Mop Granule FR:

- 6.9.1 Shall be installed in compliance with requirements as an alternate to the “Hot Asphalt Applied Cap Sheet” in the “Two Ply System” in the *FRSA/TRI Florida High Wind Concrete and Clay Roof Tile Installation Manual*, Sixth Edition, and the manufacturer’s installation instructions.
- 6.9.2 Refer to Section 5.8 herein for attachment limitations.
- 6.9.3 Refer to Table 4 for tile staging limitations.

7. BUILDING PERMIT REQUIREMENTS:

As required by the Building Official or Authority Having Jurisdiction to properly evaluate the installation of this product.

8. MANUFACTURING PLANTS:

Contact the named QA entity for manufacturing facilities covered by **F.A.C. Rule 61G20-3** QA requirements. Refer to Section 4 herein for products and production locations having met codified material standards.

9. QUALITY ASSURANCE ENTITY:

UL, LLC. – QUA9625; (613) 371-2765; Jacob.Stewart@ul.com

- END OF EVALUATION REPORT -



Product Approval
USER: Public User

[Product Approval Menu](#) > [Product or Application Search](#) > [Application List](#) > [Application Detail](#)



FL #	FL15592-R4
Application Type	Revision
Code Version	2020
Application Status	Approved
	*Approved by DBPR. Approvals by DBPR shall be reviewed and ratified by the POC and/or the Commission if necessary.
Comments	
Archived	
Product Manufacturer	Kennedy Skylights, LLC
Address/Phone/Email	5294 Tower Way Sanford, FL 32773 (602) 485-5984 kelly@nitubular.com
Authorized Signature	Kelly Joya kelly@nitubular.com
Technical Representative	
Address/Phone/Email	
Quality Assurance Representative	Pearl Strickland
Address/Phone/Email	5294 Tower Way Sanford, FL 32773 (407) 330-5150 pearl@kennedyskylights.com
Category	Sky Lights
Subcategory	Skylight
Compliance Method	Certification Mark or Listing
Certification Agency	National Accreditation & Management Institute
Validated By	National Accreditation & Management Institute
Referenced Standard and Year (of Standard)	
	Standard
	AAMA/CSA/WDMA 101/I.S. 2/A440
	ASTM E1886
	ASTM E1996
	ASTM E283-04 (2012)
	ASTM E330
	ASTM E330
	ASTM E331-00 (2009)
	TAS201
	TAS202
	TAS203
	Year
	2008
	2012
	12a
	2012
	2002
	2014
	2009
	1994
	1994
	1994
Equivalence of Product Standards	
Certified By	Florida Licensed Professional Engineer or Architect FL15592_R4_Equiv_FER_2059_Rev5_KennedySkylight_ss.pdf

Product Approval Method Method 1 Option A

Date Submitted 11/30/2020

Date Validated 12/02/2020

Date Pending FBC Approval

Date Approved 12/03/2020

Summary of Products

FL #	Model, Number or Name	Description
15592.1	"CM" Curb Mounted Polycarbonate Skylight	"CM" Curb Mounted Polycarbonate Skylight - Non-Impact
Limits of Use Approved for use in HVHZ: No Approved for use outside HVHZ: Yes Impact Resistant: No Design Pressure: +60/-60 Other:		Certification Agency Certificate FL15592_R4_C_CAC_NI005843-R6 - KENN0007.pdf Quality Assurance Contract Expiration Date 07/31/2022 Installation Instructions FL15592_R4_II_KENN0007_RevB_CM_ss.pdf Verified By: Robert J. Amoruso, P.E. FL PE No. 49752 Created by Independent Third Party: Yes Evaluation Reports FL15592_R4_AE_PER_2061_Rev4_KennedySkylight_ss.pdf Created by Independent Third Party: Yes
15592.2	"CMG" Curb Mounted Glass Skylight	"CMG" Curb Mounted Glass Skylight - Non-Impact
Limits of Use Approved for use in HVHZ: No Approved for use outside HVHZ: Yes Impact Resistant: No Design Pressure: +95/-95 Other:		Certification Agency Certificate FL15592_R4_C_CAC_NI005962-R6 - KENN0003.pdf Quality Assurance Contract Expiration Date 08/31/2022 Installation Instructions FL15592_R4_II_KENN0003_RevC_CMG_ss.pdf Verified By: Robert J. Amoruso, P.E. FL PE No. 49752 Created by Independent Third Party: Yes Evaluation Reports FL15592_R4_AE_PER_2059_Rev5_KennedySkylight_ss.pdf Created by Independent Third Party: Yes
15592.3	"HCMA" Curb Mounted Polycarbonate Skylight	"HCMA" Curb Mounted Polycarbonate Skylight - Large Missile Impact for HVHZ
Limits of Use Approved for use in HVHZ: Yes Approved for use outside HVHZ: Yes Impact Resistant: Yes Design Pressure: +80/-80 Other:		Certification Agency Certificate FL15592_R4_C_CAC_NI012743-R1 - KENN0006.pdf Quality Assurance Contract Expiration Date 12/31/2022 Installation Instructions FL15592_R4_II_KENN0006_RevB_HCMA_ss.pdf Verified By: Robert J. Amoruso, P.E. FL PE No. 49752 Created by Independent Third Party: Yes Evaluation Reports FL15592_R4_AE_PER_2061_Rev4_KennedySkylight_ss.pdf Created by Independent Third Party: Yes
15592.4	"ICMG" Curb Mounted Glass Skylight	"ICMG" Curb Mounted Glass Skylight - Large Missile Impact for HVHZ
Limits of Use Approved for use in HVHZ: Yes Approved for use outside HVHZ: Yes Impact Resistant: Yes Design Pressure: +60/-60 Other:		Certification Agency Certificate FL15592_R4_C_CAC_NI005963.02 - KENN0001.pdf Quality Assurance Contract Expiration Date 08/31/2022 Installation Instructions FL15592_R4_II_KENN0001_RevB_ICMG_ss.pdf Verified By: Robert J. Amoruso, P.E. FL PE No. 49752 Created by Independent Third Party: Yes Evaluation Reports FL15592_R4_AE_PER_2059_Rev5_KennedySkylight_ss.pdf Created by Independent Third Party: Yes
15592.5	"ISFG4" Curb Mounted Glass Skylight	"ISFG4" Curb Mounted Glass Skylight - Large Missile Impact for Non-HVHZ

<p>Approved for use in HVHZ: No Approved for use outside HVHZ: Yes Impact Resistant: Yes Design Pressure: +52.5/-52.5 Other:</p>	<p>FL15592_R4_C_CAC_NI009833-R5_KENN0004.pdf Quality Assurance Contract Expiration Date 10/31/2022 Installation Instructions FL15592_R4_IT_KENN0004_RevB_ISFG4_ss.pdf Verified By: Robert J. Amoruso, PE FL PE No. 49752 Created by Independent Third Party: Yes Evaluation Reports FL15592_R4_AE_PER_2386_Rev2_KennedySkylight_ss.pdf Created by Independent Third Party: Yes</p>	
<p>15592.6</p>	<p>"SF" Self-Flashing Polycarbonate Skylight</p>	<p>"SF" Self-Flashing Polycarbonate Skylight - Non-Impact</p>
<p>Limits of Use Approved for use in HVHZ: No Approved for use outside HVHZ: Yes Impact Resistant: No Design Pressure: +85/-70 Other:</p>	<p>Certification Agency Certificate FL15592_R4_C_CAC_NI005844-R6_KENN0008.pdf Quality Assurance Contract Expiration Date 08/31/2024 Installation Instructions FL15592_R4_IT_KENN0008_RevB_SF_Polycarb_SS.pdf Verified By: Robert J. Amoruso, P.E. FL PE No. 49752 Created by Independent Third Party: Yes Evaluation Reports FL15592_R4_AE_PER_2061_Rev4_KennedySkylight_ss.pdf Created by Independent Third Party: Yes</p>	
<p>15592.7</p>	<p>"SFG4" Curb Mounted Self Flashing Glass Skylight</p>	<p>"SFG4" Curb Mounted Self Flashing Glass Skylight - Non-Impact</p>
<p>Limits of Use Approved for use in HVHZ: No Approved for use outside HVHZ: Yes Impact Resistant: No Design Pressure: +60/-60 Other:</p>	<p>Certification Agency Certificate FL15592_R4_C_CAC_NI005513-R7 - KENN0005.pdf Quality Assurance Contract Expiration Date 09/30/2022 Installation Instructions FL15592_R4_IT_KENN0005_RevC_SFG4_SS.pdf Verified By: Robert J. Amoruso, P.E. FL PE No. 49752 Created by Independent Third Party: Yes Evaluation Reports FL15592_R4_AE_PER_2059_Rev5_KennedySkylight_ss.pdf Created by Independent Third Party: Yes</p>	



Contact Us :: 2601 Blair Stone Road, Tallahassee FL 32399 Phone: 850-487-1824

The State of Florida is an AA/EEO employer. Copyright 2007-2013 State of Florida. :: [Privacy Statement](#) :: [Accessibility Statement](#) :: [Refund Statement](#)

Under Florida law, email addresses are public records. If you do not want your e-mail address released in response to a public-records request, do not send electronic mail to this entity. Instead, contact the office by phone or by traditional mail. If you have any questions, please contact 850.487.1395. *Pursuant to Section 455.275(1), Florida Statutes, effective October 1, 2012, licensees licensed under Chapter 455, F.S. must provide the Department with an email address if they have one. The emails provided may be used for official communication with the licensee. However email addresses are public record. If you do not wish to supply a personal address, please provide the Department with an email address which can be made available to the public. To determine if you are a licensee under Chapter 455, F.S., please click [here](#).



Credit Card
Safe
 securityMETRICS

KENNEDY SKYLIGHTS

MODEL "SFG4" CURB MOUNTED SELF-FLASHING GLASS SKYLIGHT - NI

INSTALLATION ANCHORAGE DETAILS

GENERAL NOTES:

1. THE PRODUCT ANCHORAGE SHOWN HEREIN IS DESIGNED TO COMPLY WITH THE REQUIREMENTS OF THE CURRENT EDITION OF THE FLORIDA BUILDING CODE - BUILDING (FBC) AND RESIDENTIAL (FRC) VOLUMES EXCLUDING THE HIGH VELOCITY HURRICANE ZONE (HVHZ) AT THE DESIGN PRESSURE(S) STATED HEREIN.
2. THE PRODUCT DETAILS CONTAINED HEREIN ARE BASED UPON SIGNED AND SEALED TEST REPORTS # NCTL-210-3012-1 AND ASSOCIATED LABORATORY STAMPED DRAWINGS.
3. THE SKYLIGHT HAS BEEN TESTED IN ACCORDANCE WITH THE REQUIREMENTS OF THE CURRENT EDITION OF THE FLORIDA BUILDING CODE - BUILDING (FBC) AND RESIDENTIAL (FRC) VOLUMES EXCLUDING THE HIGH VELOCITY HURRICANE ZONE (HVHZ) AND DOCUMENTED IN SIGNED AND SEALED TEST REPORT NO. NCTL-210-3012-1 AND ASSOCIATED LABORATORY STAMPED DRAWINGS.
4. GLASS MEETS THE REQUIREMENTS OF ASTM E1300-04a1. SEE SHEET 4 FOR GLAZING DETAILS.
5. ADEQUACY OF THE EXISTING STRUCTURAL FRAMING AS A MAIN WIND FORCE RESISTING SYSTEM CAPABLE OF WITHSTANDING AND TRANSFERRING APPLIED PRODUCT LOADS TO THE STRUCTURE IS THE RESPONSIBILITY OF THE ENGINEER OR ARCHITECT OF RECORD.
6. SITE CONDITIONS THAT DEVIATE FROM THE DETAILS OF THIS DRAWING REQUIRE FURTHER ENGINEERING ANALYSIS BY A LICENSED PROFESSIONAL ENGINEER OR REGISTERED ARCHITECT.
7. IN NON-HVHZ AREAS WHERE WINDBORNE DEBRIS PROTECTION REQUIREMENTS EXIST, USE OF AN IMPACT PROTECTIVE SYSTEM COMPLYING WITH THE FBC REQUIREMENTS FOR WINDBORNE DEBRIS REGIONS IS REQUIRED FOR THE PRODUCT(S) HEREIN.
8. WHEN APPLICABLE, DISSIMILAR METALS INCLUDING FASTENERS THAT MAY COME INTO CONTACT WITH ALUMINUM SKYLIGHT FRAMING SHALL HAVE BEEN PROTECTED IN A MANNER TO PREVENT GALVANIC CORROSION. FASTENERS SHALL BE MADE OF CORROSION RESISTANT METAL OR HAVE A CORROSION RESISTANT COATING.
9. CURB CONSTRUCTION AND MOUNTING DETAILS:
 - 9.1. A CURB SUPPLIED BY OTHERS CONSTRUCTED AND MOUNTED IN ACCORDANCE WITH THE REQUIREMENTS OF THE CURRENT EDITION OF THE FLORIDA BUILDING CODE - BUILDING (FBC) AND RESIDENTIAL (FRC) VOLUMES FOR THE TYPE OF CONSTRUCTION CLASSIFICATION WHERE THE SKYLIGHT IS TO BE INSTALLED IS ALLOWED.
 - 9.2. INTEGRATION WITH THE ROOF ASSEMBLY SHALL BE IN ACCORDANCE WITH CHAPTER 15 OF THE CURRENT EDITION OF THE FBC AND CHAPTER 9 OF THE CURRENT EDITION OF THE FRC.
 - 9.3. ADDITIONAL INSTALLATION DETAILING AND ENGINEERED INSTALLATION EVALUATION BY A LICENSED DESIGN PROFESSIONAL WILL BE REQUIRED FOR SUBMITTAL IN ADDITION TO THIS PRODUCT EVALUATION DOCUMENT.

DESIGN PRESSURE RATING (PSF)	IMPACT RATING
+60.0/-60.0	NON-IMPACT

TABLE OF CONTENT	
SHEET	DESCRIPTION
1	GENERAL NOTES AND DESIGN PRESSURE RATING
2	INSTALLATION NOTES AND ANCHOR SCHEDULE
3	ELEVATION AND ANCHORING LAYOUT
4	INSTALLATION SECTION WITH SCREWS AND GLAZING DETAIL
5	INSTALLATION SECTION WITH NAILS
6	BILL OF MATERIALS AND COMPONENTS

REV	DESCRIPTION	DATE	BY
A	Update to 5th Edition (2014) FBC	7/19/15	RJA
B	Update to 6th Edition (2017) FBC	12/6/17	RJA
C	UPDATE CONDENSATION CHANNEL (ITEM NO. 8)	12/14/19	RJA

KENNEDY SKYLIGHTS

5294 TOWER WAY
SANFORD, FL 32773

MODEL "SFG4" CURB MOUNTED GLASS SKYLIGHT
NON-IMPACT
GENERAL NOTES AND DESIGN PRESSURE RATING

DATE: 05/08/12
DRAWN BY: TJH
SCALE: N.T.S.
REV: C

SHEET: 1 OF 6
KNN0005

PROJECT NUMBER: 419-1001



Robert J. Amoruso, P.E.
FL P.E. No. 49752

Digitally signed by
Robert J Amoruso
Date: 2019.12.14
13:10:33 -05'00'

INSTALLATION NOTES:

- ANCHOR INSTALLATION:
1.1. INSTALL CURB TO ROOF ASSEMBLY IN ACCORDANCE WITH THE ANCHORING LAYOUT ELEVATIONS SHOWN ON SHEET 3 USING FASTENERS SHOWN IN THE INSTALLATION ANCHOR SCHEDULE ON THIS SHEET.
1.2. INSTALL SASH TO CURB USING #8 SELF-DRILLING/SELF-TAPPING SCREWS. SEE ANCHORING LAYOUT SHEET 3.
1.3. CURB WOOD SPECIFIC GRAVITY OF 0.55 MINIMUM.
2. APPLY ALL SEALANTS ACCORDING TO MANUFACTURERS INSTRUCTIONS.
- PRODUCT ANCHORS SHALL BE AS DESIGNATED AND LOCATED AS SHOWN ON THE INSTALLATION DRAWINGS. ANCHOR EMBEDMENT AND EDGE DISTANCE EXCLUDE WALL FINISHES INCLUDING, BUT NOT LIMITED TO SHEATHING, UNDERLAYMENT AND SHINGLES.
- INSTALLATION ANCHORS AND ASSOCIATED HARDWARE MUST BE MADE OF CORROSION RESISTANT MATERIAL OR HAVE A CORROSION RESISTANT COATING. DISSIMILAR METALS OR MATERIALS IN CONTACT WITH PRESSURE TREATED WOOD MUST BE PROTECTED TO PREVENT REACTION.
- INSTALLATION ANCHORS SHALL BE INSTALLED IN ACCORDANCE WITH ANCHOR MANUFACTURER'S INSTALLATION INSTRUCTIONS. ANCHORS SHALL NOT BE USED IN SUBSTRATES WITH STRENGTHS LESS THAN THE MINIMUM STRENGTH SPECIFIED IN THE INSTALLATION ANCHOR SCHEDULE ON THIS SHEET.
- FOR SKYLIGHT SIZES LESS THAN THAT SHOWN IN THE ELEVATIONS, ANCHOR QUANTITIES MAY BE REDUCED BY ONE (1) WHEN SPACING BETWEEN ANCHORS IS 50% OR LESS THAN THE MAXIMUM SPACING REQUIRED.

INSTALLATION ANCHOR SCHEDULE

ASSEMBLY	SUBSTRATE TYPE	HEAD TYPE	SIZE	MANUFACTURER AND/OR SPECIFICATION	MIN. EMBEDMENT (IN)	MIN. EDGE DISTANCE (IN)	MIN. SPACING (IN)	CAPACITIES BASED ON
CURB	SOLID-SAWN LUMBER (1)	HEX, PAN OR TRUSS HEAD	NO. 8	ASME B18.6.4 (SELF-DRILLING/SELF-TAPPING SCREW)	1	5/8	5/8	WOOD WITH A MINIMUM SPECIFIC GRAVITY OF 0.55
ROOF	CONCRETE	HEX HEAD	3/16"	ITW TAPCON (3)	1 1/2	1 1/8	2 1/2	MIN. 2500 PSI CONCRETE BUT NOT LESS THAN THAT REQUIRED BY BUILDING CODE
ROOF	SOLID-SAWN LUMBER (2)	HEX, PAN OR TRUSS HEAD	NO. 8	Elco Ultracon ANSI B18.6.1 (WOOD SCREW) ASME B18.6.4 (SELF-DRILLING/SELF-TAPPING SCREW)	1 3/8	1	3 3/8	MIN. 2500 PSI CONCRETE BUT NOT LESS THAN THAT REQUIRED BY BUILDING CODE
ROOF	SOLID-SAWN LUMBER	1/4" DIA. ROUND HEAD RING-SHANK NAIL	0.099" DIA. MIN.	RING-SHANK NAIL	7/8	1/2	1/2	WOOD WITH A MINIMUM SPECIFIC GRAVITY OF 0.55
ROOF	ALUMINUM OR STEEL, 1/8" MIN. WALL THICKNESS	HEX, PAN OR TRUSS HEAD	NO. 8	ASME B18.6.4 (SELF-DRILLING/SELF-TAPPING SCREW)	PROTRUDING MIN. 3 THREADS PAST INTERIOR OF SUBSTRATE	1/2	1/2	ULTIMATE STRENGTH (Fu) OF 22,000 PSI
ROOF	PLYWOOD or OSB	HEX, PAN OR TRUSS HEAD	NO. 8	ASME B18.6.4 (TYPE AB TAPPING SCREW)	SCREW THREADS SHALL PROTRUDE A MINIMUM OF 1/4" FROM THE UNDERSIDE OF THE ROOF SHEATHING	1/2	1/2	7/16" THICK PLYWOOD - SPECIES GROUP 1 OR 2 (APA VOLUNTARY PRODUCT STANDARD PS 1) MINIMUM OR 7/16" - SHEATHING GRADE (APA VOLUNTARY PRODUCT STANDARD PS 2) MINIMUM
ROOF	PLYWOOD or OSB	1/4" DIA. ROUND HEAD RING-SHANK NAIL	0.099" DIA. MIN.	RING-SHANK NAIL	NAIL SHANK SHALL PROTRUDE A MINIMUM OF 1/4" FROM THE UNDERSIDE OF THE ROOF SHEATHING	1/2	1/2	

NOTES:

- FOR NO. 8 WOOD AND TAPPING SCREWS IF SPLITTING IS A CONCERN, DRILL 0.102" (DRILL SIZE 38) PILOT HOLE FOR WOOD FRAME INSTALLATION.
- FOR NO. 8 WOOD AND TAPPING SCREWS IF SPLITTING IS A CONCERN, DRILL 0.082" (DRILL SIZE 45) PILOT HOLE FOR WOOD FRAME INSTALLATION.
- WHEN ITW TAPCONS ARE USED FOR CONCRETE/MASONRY INSTALLATION, THEY SHALL BE THE ADVANCED THREADFORM TECHNOLOGY TYPE.

KENNEDY SKYLIGHTS
5294 TOWER WAY
SANFORD, FL 32773

MODEL "SFG4" CURB MOUNTED GLASS SKYLIGHT
NON-IMPACT
INSTALLATION NOTES AND ANCHOR SCHEDULE

DATE: 05/08/12
SCALE: T.J.H.
DRAWING NO: KENN0005

REV: 2 OF 6
SHEET: 2 OF 6

DATE: 12/14/19
UPDATE CONDENSATION CHANNEL ITEM NO. B

DATE: 12/6/17
UPDATE TO 8th Edition (2017) FBC

DATE: 7/15/15
UPDATE TO 5th Edition (2014) FBC

PROJECT NUMBER: 419-1001

FLORIDA PROFESSIONAL ENGINEERING
STATE OF FLORIDA
ROBERT J. AMORUSO, P.E.
FL.P.E. NO. 48752

Digitally signed by
Robert J Amoruso
Date: 2019.12.14
13:10:52 -05'00'

REV	DESCRIPTION	DATE	BY
A	Update to 5th Edition (2014) FBC	7/19/19	RAA
B	Update to 6th Edition (2017) FBC	12/6/17	RAA
C	Update to 6th Edition CHANNEL (ITEM NO. B)	12/14/19	RAA

PROJECT NUMBER: 419-1001

KENNEDY SKYLIGHTS

5294 TOWER WAY
SANFORD, FL 32773

MODEL "SFG4" CURB MOUNTED GLASS SKYLIGHT
NON-IMPACT
ELEVATION AND ANCHORING LAYOUT

DATE: 05/08/12
DRAWN BY: TJH
SCALE: N.T.S.

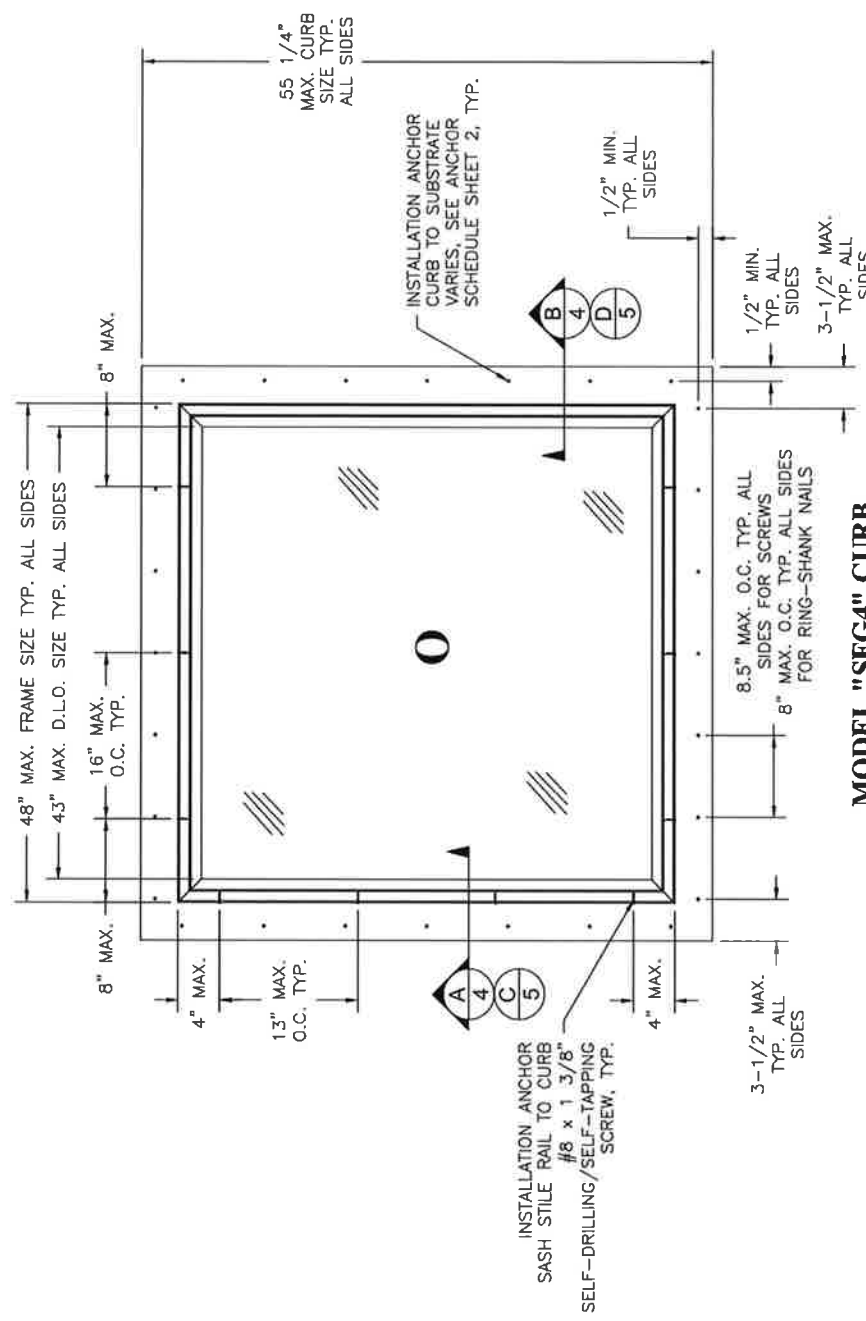
SHEET: 3 OF 6

PTC PROTECTIVE DESIGN GROUP, LLC
1005 WOODLAND BLVD. SUITE 200
SANFORD, FL 32773
TEL: 321.880.1188
FAX: 321.880.1189
www.ptcprotectivedesign.com

Robert J. Amoroso, P.E.
FL P.E. No. 49762



Digitally signed by
Robert J Amoroso
Date: 2019.12.14
13:11:05 -05'00'



MODEL "SFG4" CURB MOUNTED SKYLIGHT
 INSTALLED INTO VARIABLE SUBSTRATE ROOF ASSEMBLIES
 (SEE INSTALLATION ANCHOR SCHEDULE - SHEET 2)
 EXTERIOR VIEW

REV	DESCRIPTION	DATE	BY
A	Update to 5th Edition (2014) FBC	7/19/15	RAA
B	Update to 6th Edition (2017) FBC	12/6/17	RAA
C	Update to 8th Edition CHANNEL ITEM NO. 8	12/14/19	RAA

PROJECT NUMBER: 419-1001

KENNEDY SKYLIGHTS

5294 TOWER WAY
SANFORD, FL 32773

MODEL "SFG4" CURB MOUNTED GLASS SKYLIGHT
NON-IMPACT
INSTALLATION SECTION WITH NAILS

DESIGNED BY: PTC
SCALE: N.T.S.
DATE: 05/08/12
DRAWING NO: KENN0005

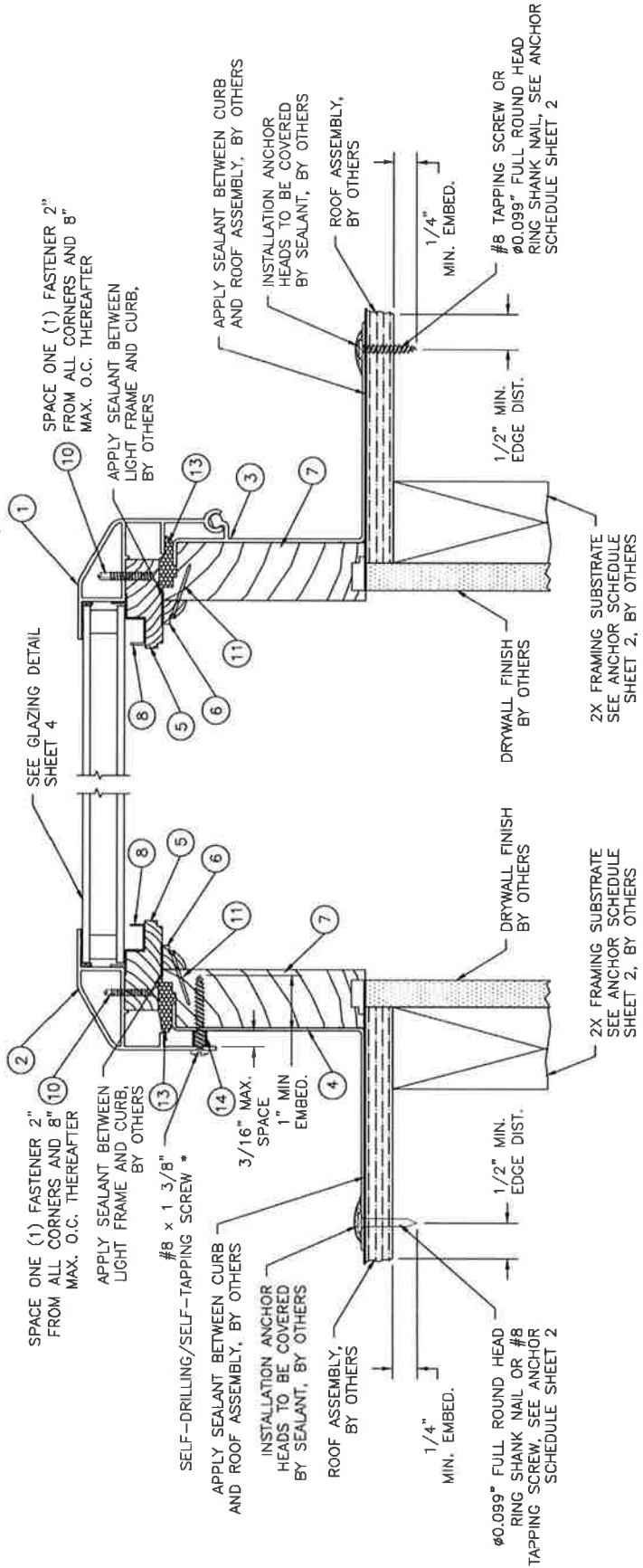
REV: C
SHEET: 5 OF 6

PTC PRODUCTS, INC. (FLORIDA) LLC
10900 WOODLAND BLVD., SUITE 200
FORT LAUDERDALE, FL 33304
PH: 352.271.1788
FAX: 352.271.1789
WWW.PTC-FLORIDA.COM

Robert J. Amoroso, P.E.
FL P.E. No. 49752



Digitally signed by
Robert J Amoroso
Date: 2019.12.14
13:11:30 -05'00'

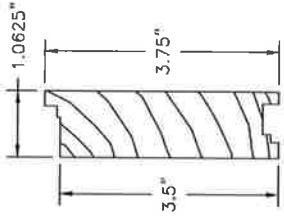


D INSTALLATION CROSS SECTION
HINGE SIDE

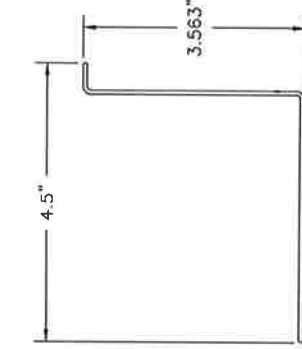
C INSTALLATION CROSS SECTION
NON-HINGE SIDE

BILL OF MATERIALS

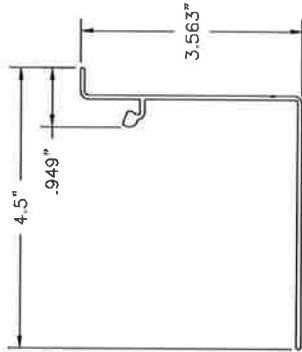
ITEM #	PART #	ITEM DESCRIPTION	MANUFACTURER	MATERIAL
1	FE4694	SASH HINGE	INDALEX ALUM. SOLUTIONS	ALUM. 6063-T6
2	FE4693	SASH STILE RAIL	INDALEX ALUM. SOLUTIONS	ALUM. 6063-T6
3	FE4695	4" CURB HINGE	INDALEX ALUM. SOLUTIONS	ALUM. 6063-T6
4	FE46700	4" CURB	INDALEX ALUM. SOLUTIONS	ALUM. 6063-T6
5	SM KS-5	WOOD SASH FRAME	KENNEDY SKYLIGHTS, LLC	WOOD
6	SM KS-6	SASH STOP	KENNEDY SKYLIGHTS, LLC	WOOD
7	SM KS-2	WOOD CURB	KENNEDY SKYLIGHTS, LLC	WOOD
8	-----	CONDENSATION CHANNEL	KENNEDY SKYLIGHTS, LLC	RPVC W/UV PROTECTION
9	-----	GLAZING COMPOUND	OMEGA PLASTICS	STRUCTURAL SILICONE
10	-----	#8 x 1 1/4" FH SELF-DRILLING SCREW	NOVAFLEX	
11	16CA	x 1 1/8" BRAD NAIL		
12	-----	NON-IMPACT GLAZING, SEE SHEET 4		
13	-----	1" x 1 1/4" FOAM GASKET		EDPM FOAM
14	-----	RIGID SPACER FOR SASH STILE RAIL INSTALLATION, SEE INSTALLATION NOTE 4 SHEET 2		RIGID



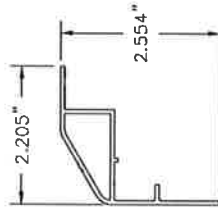
7 WOOD CURB



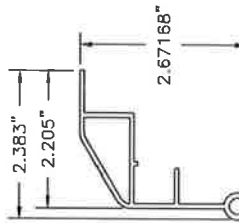
4 4" CURB
EXTRUDED ALUMINUM 6063-T6
0.063" THICK



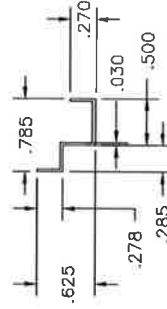
3 4" CURB HINGE
EXTRUDED ALUMINUM 6063-T6
0.063" THICK



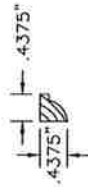
2 SASH STILE RAIL
EXTRUDED ALUMINUM 6063-T6
0.070" THICK



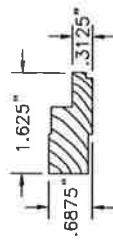
1 SASH HINGE
EXTRUDED ALUMINUM 6063-T6
0.070" THICK



5 CONDENSATION CHANNEL
RPVC W/UV PROTECTION
0.030" THICK



6 WOOD SASH STOP



5 WOOD SASH FRAME

REV	DESCRIPTION	DATE
A	Update to 5th Edition (2014) FBC	7/19/19
B	Update to 6th Edition (2017) FBC	12/6/17
C	Update to 6th Edition CHANNEL (ITEM NO. B)	12/14/19

PROJECT NUMBER: 419-1001

TITLE: MODEL "SFG4" CURB MOUNTED GLASS SKYLIGHT NON-IMPACT BILL OF MATERIALS AND COMPONENTS

DATE: 05/08/12

DRAWN BY: TJH

SCALE: N.T.S.

SHEET: KENN0005

B OF 6

419-1001

PIC

PIC PRODUCTS DESIGN GROUP, LLC
10500 W. 10TH AVE. #200
DENVER, CO 80202
PHONE: 303.750.1100
FAX: 303.750.1100

Robert J. Amoruso, P.E.
FL P.E. No. 48752

Digitally signed by
Robert J Amoruso
Date: 2019.12.14
13:11:42 -05'00'



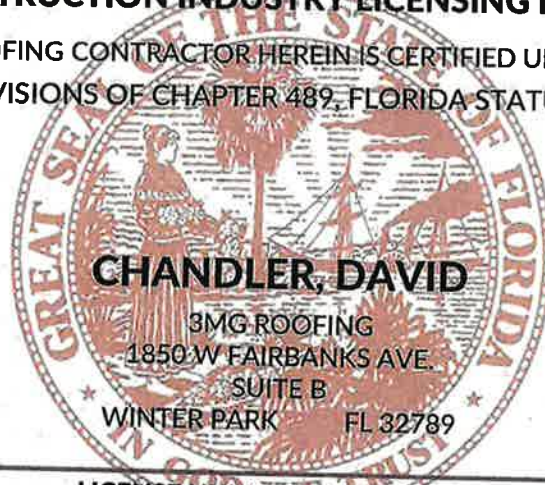
Ron DeSantis, Governor

Halsey Beshears, Secretary



**STATE OF FLORIDA
DEPARTMENT OF BUSINESS AND PROFESSIONAL REGULATION**

CONSTRUCTION INDUSTRY LICENSING BOARD
THE ROOFING CONTRACTOR HEREIN IS CERTIFIED UNDER THE
PROVISIONS OF CHAPTER 489, FLORIDA STATUTES



CHANDLER, DAVID

3MG ROOFING
1850 W FAIRBANKS AVE.
SUITE B
WINTER PARK FL 32789

LICENSE NUMBER: CCC1328182

EXPIRATION DATE: AUGUST 31, 2022

Always verify licenses online at MyFloridaLicense.com



Do not alter this document in any form.

This is your license. It is unlawful for anyone other than the licensee to use this document.



JIMMY PATRONIS
CHIEF FINANCIAL OFFICER

**STATE OF FLORIDA
DEPARTMENT OF FINANCIAL SERVICES
DIVISION OF WORKERS' COMPENSATION**

**** CERTIFICATE OF ELECTION TO BE EXEMPT FROM FLORIDA WORKERS' COMPENSATION LAW ****

CONSTRUCTION INDUSTRY EXEMPTION

This certifies that the individual listed below has elected to be exempt from Florida Workers' Compensation law.

EFFECTIVE DATE: 5/21/2020

EXPIRATION DATE: 5/21/2022

PERSON: DAVID CHANDLER

EMAIL: DCHANDLER2000@HOTMAIL.COM

FEIN: 850562880

BUSINESS NAME AND ADDRESS:

3MG SOLUTIONS, LLC

3MG ROOFING

1850 W FAIRBANKS AVE SUITE B

WINTER PARK, FL 32789

SCOPE OF BUSINESS OR TRADE:

Roofing - All Kinds and
Drivers

Contractor-Project Manager,
Construction Executive,
Construction Manager or
Construction Superintendent

IMPORTANT: Pursuant to subsection 440.05(14), F.S., an officer of a corporation who elects exemption from this chapter by filing a certificate of election under this section may not recover benefits or compensation under this chapter. Pursuant to subsection 440.05(12), F.S., Certificates of election to be exempt issued under subsection (3) shall apply only to the corporate officer named on the notice of election to be exempt and apply only within the scope of the business or trade listed on the notice of election to be exempt. Pursuant to subsection 440.05(13), F.S., notices of election to be exempt and certificates of election to be exempt shall be subject to revocation if, at any time after the filing of the notice or the issuance of the certificate, the person named on the notice or certificate no longer meets the requirements of this section for issuance of a certificate. The department shall revoke a certificate at any time for failure of the person named on the certificate to meet the requirements of this section.

Tax Collector Scott Randolph

Local Business Tax Receipt

Orange County, Florida

This local Business Tax Receipt is in addition to and not in lieu of any other tax required by law or municipal ordinance. Businesses are subject to regulation of zoning, health and other lawful authorities. This receipt is valid from October 1 through September 30 of receipt year. **Delinquent penalty is added October 1.**

		2021	EXPIRES	9/30/2022			1801-1195709
1801	CERTIFIED GENERAL C	\$30.00	1 EMPLOYEE	1806	CERTIFIED ROOFING CO	\$30.00	1 EMPLOYEE
5000	BUSINESS OFFICE	\$30.00	2 EMPLOYEES				

TOTAL TAX \$90.00
 PREVIOUSLY PAID \$90.00
 TOTAL DUE \$0.00



OSWALDO MARTINEZ
 CHANDLER DAVID NORMAN-QUALIFIER
 3MG SOLUTIONS LLC
 OSWALDO MARTINEZ
 1127 SOLANA AVE
 WINTER PARK FL 32789

1127 SOLANA AVE
 B - WINTER PARK, 32789

PAID: \$90.00 2006-07254576 8/30/2021

This receipt is official when validated by the Tax Collector.

Orange County Code requires this local Business Tax Receipt to be displayed conspicuously at the place of business in public view. It is subject to inspection by all duly authorized officers of the County.

