



City of Belle Isle Job Site Permit Card WINDOW/DOOR 2021-03-056

Class: Residential

Site Address: 5291 Chiswick Cir- Belle Isle, FL32812

Parcel Number: 20-23-30-9373-00-700. Municipality Belle Isle

INSPECTIONS CANNOT BE SCHEDULED IF A NOC IS PENDING FOR THIS PROJECT.

Description of Work:

17 Window (s) / Size for Size

1 Door (s) / Size for Size

=====
Issued: BAXTER WINDOWS & DOORS LLC; MEISTER, H.N. License # SCC131152146

Contact # 407 930-1599

Payment/ Issued Date & Method: 3 / 18 / 2021

Picked up by _____ Sent by mail to the mailing address Emailed

Visa Master Card Amex Discover Check / Money Order#

9668

=====
BUILDING INSPECTOR DATE COMMENTS

900 In Progress			
905 Window/Door Buck			
910 Final			

PLEASE NOTE

In order to schedule any inspections, the **PERMIT / plans-specs.** must be issued and **POSTED** on the **JOB SITE!**

THIS WILL AVOID ANY FAILED INSPECTIONS & RE-INSPECTION FEES. A permit **expires** in 6 months if approved inspections are not recorded /scheduled within that time frame. You are responsible for scheduling and keeping track all of your inspections –

☆ **Inspection requests are to be emailed to IDScheduling@UniversalEngineering.com; a confirmation email will be sent back to you upon scheduling. Next-Day Inspection requests must be made by 3:00 p.m.**

Please include the following requirements in your request:

- **Project Address**
- **Corresponding Permit Number**
- **Type of Inspection** (Please reference your permit card for inspection codes)
- **Date of Inspection** (If no date is specified, the inspection will be scheduled for the next business day)
- **Contact Name**
- **Contact Phone Number**
- **Gate / Entry code** (If applicable)
- **AM, PM, or Any Time** (We do our best to accommodate time requests but cannot guarantee an exact arrival)

Universal Engineering Sciences - 3532 Maggie Blvd., Orlando, FL 32811407-581-8161
Fax 407-581-0313 www.universalengineering.com

"WARNING TO OWNER: YOUR FAILURE TO RECORD A NOTICE OF COMMENCEMENT MAY RESULT IN YOUR PAYING TWICE FOR IMPROVEMENTS TO YOUR PROPERTY. IF YOU INTEND TO OBTAIN FINANCING, CONSULT WITH YOUR LENDER OR AN ATTORNEY BEFORE RECORDING YOUR NOTICE OF COMMENCEMENT."



RECEIVED
MAR 12 2021

City of Belle Isle

Universal Engineering Sciences 3532 Maggie Blvd., Orlando, FL 32811
Tel 407-581-8161 * Fax 407-581-0313 * www.universalengineering.com

APPLICATION FOR SIZE-FOR-SIZE WINDOW / DOOR PERMIT

WARNING TO OWNER: YOUR FAILURE TO RECORD A NOTICE OF COMMENCEMENT MAY RESULT IN YOUR PAYING TWICE FOR IMPROVEMENTS TO YOUR PROPERTY. A NOTICE OF COMMENCEMENT MUST BE RECORDED AND POSTED ON THE JOB SITE BEFORE THE FIRST INSPECTION. IF YOU INTEND TO OBTAIN FINANCING, CONSULT WITH YOUR LENDER OR AN ATTORNEY BEFORE RECORDING YOUR NOTICE OF COMMENCEMENT.

DATE OF APPLICATION: 3/8/2021

PERMIT NUMBER 2021-03-056

PLEASE PRINT. The undersigned hereby applies for a permit to make installations as indicated below:

Project Address 5291 CHISWICK CIR, Belle Isle, FL 32809^X 32812

Property Owner MICHAEL FITZGERALD Phone 208-890-8316

Property Owner's Mailing Address 5291 CHISWICK CIR Belle Isle

State FL Zip Code 32812 Parcel Id Number: 20-23-30-9373-00-700

REQUIRED! To obtain this information, please visit <http://www.ocpafll.org/Searches/ParcelSearch.aspx>

Type of Building: Residential Commercial Other

REQUIRED! Florida Product Approval Form – NOTE: installation instructions must be posted on-site before your first inspection!!

Please indicate the nature of work by completing the information below:

Number of Size-for-Size Windows: 17 Number of Size-for-Size Doors: 1 Job Valuation: \$15,045

I hereby certify that the above is true and correct to the best of my knowledge and make Application for Permit as outlined above, and if same is granted I agree to conform to all Florida Building Code Regulations and City Ordinances regulating same and in accordance with plans submitted. The issuance of this permit does not grant permission to violate any applicable Town and/or State of Florida codes and/or ordinances. By signing below, I recognize Republic Services is by legal contract the sole authorized provider of garbage, recycling, yard waste, and commercial garbage and construction debris collection and disposal services with the city limits of the City. Contractors, homeowners and commercial businesses may contact Republic Services at 407-293-8000 to setup accounts for Commercial, Construction Roll Off, or other services needed. Rates are fixed by contract and are available at City Hall or from Republic Services. The City enforces the contract through its code enforcement office. Failure to comply will result in a stop work order.

BY SIGNING THIS APPLICATION, YOU ARE CERTIFYING THAT YOU ARE ACTING AS THE OWNER'S AGENT FOR THIS PERMIT:

LICENSE HOLDER SIGNATURE [Signature] LICENSE # SCC131152146

LICENSE HOLDER NAME HOWARD NATHAN MEISTER, COMPANY NAME BAXTER WINDOWS AND DOORS

Street Address 3301 BARTLETT BLVD

City ORLANDO State FL Zip Code 32811 Phone Number 407-930-1599

Email Address PERMITS@BAXTERWINDOWSANDDOORS.COM

LOC ✓ PA ✓

PAID
3-18-2021

Building Official: [Signature] Date 3-17-21
Verified Contractor's Licenses & Insurance are on file [Signature] Date 3-12-2021

Zoning Fee	\$ <u>0</u>
Permit Fee	\$ <u>85.-</u>
Review Fee	\$ <u>42.50</u>
1% BCAIB Fee	\$ <u>2 min</u>
1.5% DCA Fee	\$ <u>2 min</u>
Total Permit Fee	\$ <u>131.50</u>

UNREGISTERED
1551K
4x15

25
80
85 ÷ 2 = (42.50) = 127.50

Rec Fee: \$10.00

Deed Doc Tax: \$0.00

Mortgage Doc Tax: \$0.00

Intangible Tax: \$0.00

Phil Diamond, Comptroller

Orange County, FL

Ret To: SIMPLIFILE LC

Permit Number: 201-03-056
 Folio/Parcel Identification Number: 20-23-30-9373-00-700
 Prepared by: NICOLE MACRE
3301 BARTLETT BLVD
ORLANDO, FL 32811
 Return to: BAXTER WINDOWS AND DOORS
3301 BARTLETT BLVD
ORLANDO, FL 32811

NOTICE OF COMMENCEMENT

State of Florida, County of Orange

The undersigned hereby gives notice that improvement will be made to certain real property, and in accordance with Chapter 713, Florida Statutes, the following information is provided in this Notice of Commencement.

- Description of property** (legal description of the property, and street address if available)
WINDSOR PLACE PHASE 1 30/28 LOT 70 - 5291 CHISWICK CIR BELLE ISLE, FL 32812
- General description of improvement**
17 REPLACEMENT WINDOWS AND 1 DOOR, SIZE FOR SIZE, ENERGY STAR RATED
- Owner information or Lessee information if the Lessee contracted for the improvement**
 Name MICHAEL FITZGERALD
 Address 5291 CHISWICK CIR BELLE ISLE, FL 32812
 Interest in Property Owner
Name and address of fee simple titleholder (if different from Owner listed above)
 Name N/A
 Address N/A
- Contractor**
 Name Howard Nathan Meister Telephone Number 407-930-1599
 Address 3301 BARTLETT BLVD ORLANDO, FL 32811
- Surety** (if applicable, a copy of the payment bond is attached)
 Name N/A Telephone Number _____
 Address N/A Amount of Bond \$ _____
- Lender**
 Name N/A Telephone Number _____
 Address N/A
- Persons within the State of Florida designated by Owner upon whom notices or other documents may be served as provided by §713.13(1)(a)7, Florida Statutes.**
 Name Howard Nathan Meister Telephone Number 407-930-1599
 Address 3301 BARTLETT BLVD ORLANDO, FL 32811
- In addition to himself or herself, Owner designates the following to receive a copy of the Lienor's Notice as provided in §713.13(1)(b), Florida Statutes.**
 Name Nicole Macre Telephone Number 407-930-1599
 Address 3301 BARTLETT BLVD ORLANDO, FL 32811
- Expiration date of notice of commencement** (the expiration date may not be before the completion of construction and final payment to the contractor, but will be 1 year from the date of recording unless a different date is specified) 3/8/2022

WARNING TO OWNER: ANY PAYMENTS MADE BY THE OWNER AFTER THE EXPIRATION OF THE NOTICE OF COMMENCEMENT ARE CONSIDERED IMPROPER PAYMENTS UNDER CHAPTER 713, PART I, SECTION 713.13, FLORIDA STATUTES, AND CAN RESULT IN YOUR PAYING TWICE FOR IMPROVEMENTS TO YOUR PROPERTY. A NOTICE OF COMMENCEMENT MUST BE RECORDED AND POSTED ON THE JOB SITE BEFORE THE FIRST INSPECTION. IF YOU INTEND TO OBTAIN FINANCING, CONSULT WITH YOUR LENDER OR AN ATTORNEY BEFORE COMMENCING WORK OR RECORDING YOUR NOTICE OF COMMENCEMENT.

Under penalty of perjury, I declare that I have read the foregoing notice of commencement and that the facts stated in it are true to the best of my knowledge and belief.

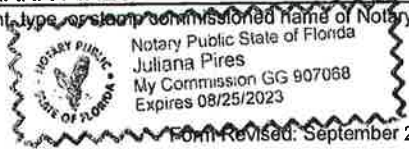
DocuSigned by:
Michael Fitzgerald DL#F326-556-70-254-0 OWNER
 Signature of Owner or Lessee, or Owner's or Lessee's Authorized Officer/Director/Partner/Manager Signatory's Title/Office

The foregoing instrument was acknowledged before me this 8 day of MARCH/21 by MICHAEL FITZGERALD
 month/year name of person

as OWNER for SELF
 Type of authority, e.g., officer, trustee, attorney in fact Name of party on behalf of whom instrument was executed

Juliana Pires JULIANA PIRES
 Signature of Notary Public - State of Florida Print, type, or stamp commissioned name of Notary Public

Personally Known OR Produced ID X
 Type of ID Produced Driver's License
 Notary Public State of Florida
 Juliana Pires
 My Commission GG 907068
 Expires 08/25/2023





CITY OF BELLE ISLE, FLORIDA
Universal Engineering Sciences 3532 Maggie Blvd., Orlando, FL 32811
Tel 407-581-8161 * Fax 407-581-0313 * www.universalengineering.com

POWER OF ATTORNEY

Date: 3/8/2021

Permit #: 2021-03-056

I hereby name and appoint NICOLE MACRE of
(print name)

BAXTER WINDOWS AND DOORS to be my lawful attorney-in-fact to act for
(company name)

me and apply to the City of Belle Isle Building Department for a RESIDENTIAL permit
(type of permit)

for work to be performed at the following location:

5291 CHISWICK CIR, Belle Isle, FL 32809 32812 and
(street address)

to sign my name and do all things necessary to this appointment.

Certified Contractor's Printed Name: HOWARD NATHAN MEISTER

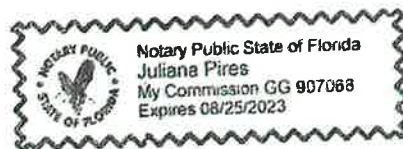
License Number: SCC131152146

Certified Contractor's Signature: *Howard Meister*

.....
The foregoing instrument was acknowledged before me this 8 days of MARCH of 2021
by Howard Meister who is personally known to me or who produced
as identification and who did not take an oath.

State of Florida
County of Orange

Juliana Pires
Notary Public, Orange County, Florida



(seal)



City of Belle Isle
 Universal Engineering Sciences 3532 Maggie Blvd., Orlando, FL 32811
 Tel 407-581-8161 * Fax 407-581-0313 * www.universalengineering.com

Product Approval Form

DATE: _____

PERMIT # 2021-03-056


PROJECT ADDRESS 5291 Chiswick Cir, Belle Isle, FL 32809 ✓ 32812

As required by Florida Statute 553.842 and Florida Administrative Code 9B-72m, please provide the information and approval numbers of the building components listed below if they will be utilized on the building or structure. FL Approved products are listed online at www.floridabuilding.org or can be obtained from the local product supplier. The following information must be turned in with permit application and available onsite for inspections:

• **NOTE: The installation instructions must be posted on-site before your first inspection!!**

Product Type	Manufacturer	Model/Series	FL Product Approval #	Product Type	Manufacturer	Model/Series	FL Product Approval #
EXTERIOR DOORS				WALL PANELS			
Swinging	Plastpro	SMFG	15213.17	Sliding			
Sliding				Soffits			
Sectional/Rollup				Storefront			
Other				Glass Block			
				Other			
WINDOWS				ROOFING PRODUCTS			
Single/Dbl Hung	CWS	610/650	17234.1 / 17235.1				
Horizontal Slider	CWS	620	17355.3	Non Struct Metal			
Casement				Roofing Tiles			
Fixed	CWS	615	17354.1	Single Ply Roof			
Mullion				Underlayment			
Skylights				Other			
Other							
STRUCTURAL COMPONENTS				OTHER			
Wood Connectors							
Wood Anchors							
Truss Plates							
Insulation Forms							
Lintels							
Other							

It is the applicant's responsibility to verify that specific products have been installed in accordance with their limitations and with the minimum required design pressures for the structure. Specific compliance will be verified during field inspections.

Applicant Signature 

Date _____



FLORIDA DEPARTMENT OF
Business & Professional Regulation

BCIS Home | Log In | User Registration | Hot Topics | Submit Surcharge | Stats & Facts | Publications | Contact Us | BCIS Site Map | Links | Search



Product Approval
USER: Public User

[Product Approval Menu](#) > [Product or Application Search](#) > [Application List](#) > **Application Detail**

OFFICE OF THE SECRETARY

FL #	FL17354-R3
Application Type	Revision
Code Version	2020
Application Status	Approved
Comments	
Archived	<input type="checkbox"/>
Product Manufacturer	Custom Window Systems Inc.
Address/Phone/Email	1900 SW 44th Avenue Ocala, FL 34474 (352) 368-6922 Ext 291 jlathrop@cws.cc
Authorized Signature	Jay Lathrop jlathrop@cws.cc
Technical Representative	Jay Lathrop
Address/Phone/Email	1900 SW 44th Ave Ocala, FL 34474 (352) 368-6922 Ext 291 jlathrop@cws.cc
Quality Assurance Representative	Jay Lathrop
Address/Phone/Email	1900 SW 44th Ave. Ocala, FL 34474 (352) 368-6922 Ext 291 jlathrop@cws.cc
Category	Windows
Subcategory	Fixed
Compliance Method	Evaluation Report from a Florida Registered Architect or a Licensed Florida Professional Engineer <input type="checkbox"/> Evaluation Report - Hardcopy Received
Florida Engineer or Architect Name who developed the Evaluation Report	Lucas. A Turner
Florida License	PE-58201
Quality Assurance Entity	Keystone Certifications, Inc.
Quality Assurance Contract Expiration Date	07/21/2028
Validated By	Steven M. Ulrich, PE <input type="checkbox"/> Validation Checklist - Hardcopy Received
Certificate of Independence	FL17354_R3_COI_EvalReport944B.pdf
Referenced Standard and Year (of Standard)	Standard AAMA/WDMA/CSA 101/I.S.2/A440
	Year 2008
Equivalence of Product Standards Certified By	
Sections from the Code	
Product Approval Method	Method 1 Option D
Date Submitted	08/10/2020
Date Validated	08/10/2020
Date Pending FBC Approval	08/18/2020
Date Approved	10/13/2020

Summary of Products

FL #	Model, Number or Name	Description
------	-----------------------	-------------

17354.1	PW-615 Vinyl Fixed Window	PW-615 Vinyl Fixed Window, Non-Impact
Limits of Use Approved for use in HVHZ: No Approved for use outside HVHZ: Yes Impact Resistant: No Design Pressure: +50/-50 Other: PW-615, Max sizes 54" x 96" & 68" x 76", Fin, Flange, DP +50/-50 PSF. Glass complies with ASTM E1300.		Installation Instructions FL17354_R3_II_CWS-944B.pdf Verified By: Lucas A. Turner PE-58201 Created by Independent Third Party: Yes Evaluation Reports FL17354_R3_AE_EvalReport944B.pdf Created by Independent Third Party: Yes
17354.2	PW-655 Vinyl Fixed Window	PW-655 Vinyl Fixed Window, Non-Impact
Limits of Use Approved for use in HVHZ: No Approved for use outside HVHZ: Yes Impact Resistant: No Design Pressure: +50/-50 Other: PW-655, Max sizes 54" x 96" & 68" x 76", Fin, Flange, DP +50/-50 PSF. Glass complies with ASTM E1300.		Installation Instructions FL17354_R3_II_CWS-945B.pdf Verified By: Lucas A. Turner PE-58201 Created by Independent Third Party: Yes Evaluation Reports FL17354_R3_AE_EvalReport945B.pdf Created by Independent Third Party: Yes

Back Next

Contact Us :: 2601 Blair Stone Road, Tallahassee FL 32399 Phone: 850-487-1824

The State of Florida is an AA/EEO employer. Copyright 2007-2013 State of Florida. :: Privacy Statement :: Accessibility Statement :: Refund Statement

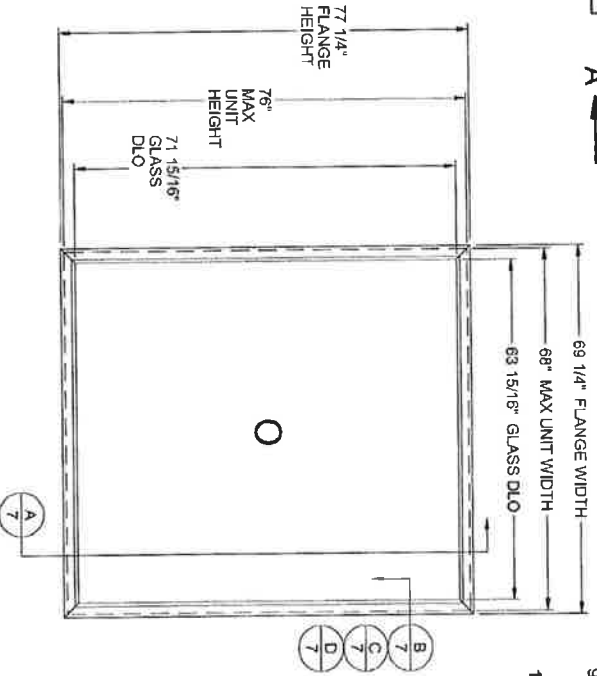
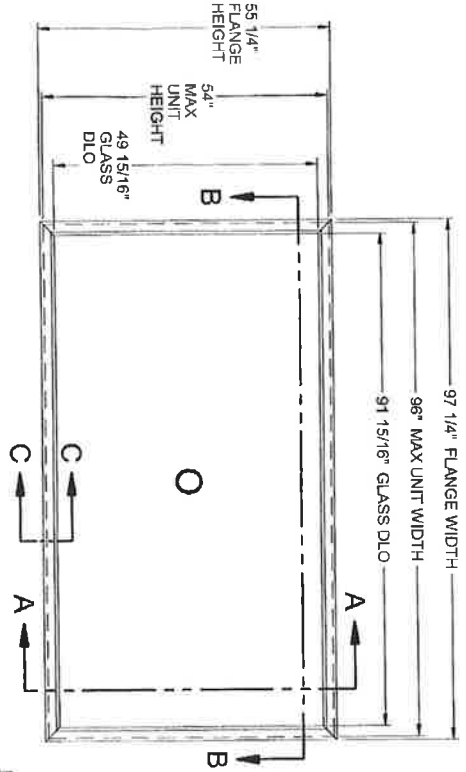
Under Florida law, email addresses are public records. If you do not want your e-mail address released in response to a public-records request, do not send electronic mail to this entity. Instead, contact the office by phone or by traditional mail. If you have any questions, please contact 850.487.1395. *Pursuant to Section 455.275(1), Florida Statutes, effective October 1, 2012, licensees licensed under Chapter 455, F.S. must provide the Department with an email address if they have one. The emails provided may be used for official communication with the licensee. However email addresses are public record. If you do not wish to supply a personal address, please provide the Department with an email address which can be made available to the public. To determine if you are a licensee under Chapter 455, F.S., please click here.



Credit Card Safe



PICTURE WINDOW - NON-IMPACT



GENERAL NOTES:

1. THE PRODUCT SHOWN HEREIN IS DESIGNED AND MANUFACTURED TO COMPLY WITH THE FLORIDA BUILDING CODE (FBC), CURRENT EDITION.
2. GLAZING OPTIONS: (SEE SHEET 3)
3. CONFIGURATIONS: "O", ARCHITECTURAL SHAPES INCLUDE, BUT ARE NOT LIMITED TO, THOSE SHOWN ON SHEET 2.
4. DESIGN PRESSURE RATING (SEE SHEET 5):
-NEGATIVE DESIGN LOADS BASED ON, TESTED PRESSURE AND GLASS TABLES ASTM E-1300-04e01/09.
-POSITIVE DESIGN LOADS BASED ON, TESTED PRESSURE, WATER INFILTRATION TEST PRESSURE AND GLASS TABLES ASTM E-1300-04e01/09.
5. ANCHORAGE: THE 33 1/3% STRESS INCREASE HAS NOT BEEN USED IN THE DESIGN OF THIS PRODUCT. SEE SHEET 7 FOR ANCHOR DETAILS. WINDLOAD DURATION FACTOR CD=1.6 WAS USED FOR WOOD ANCHOR CALCULATIONS.
6. NOT APPROVED FOR IMPACT RESISTANCE. IMPACT PROTECTIVE SYSTEM IS REQUIRED IN WIND BORNE DEBRIS REGION.
7. ALL FRAMES FULLY WELDED.
8. SERIES / MODEL DESIGNATION PW-615.
9. THE DESIGNATION X AND O STAND FOR THE FOLLOWING:
O = FIXED SASH
10. SECTION CALLOUTS APPLY TO ALL ELEVATIONS IN A SIMILAR LOCATION.

Lucas Turner
2020.08.10
12:02:50
-05'00"

TABLE OF CONTENTS

- 1. GENERAL NOTES & ELEVATIONS..... 1
- 2. ARCHITECTURAL SHAPES..... 2
- 3. GLAZING DETAILS..... 3
- 4. SECTION VIEWS & ALT. FRAME..... 4
- 5. PART, BOM & EXTRUSIONS..... 5
- 6. WINDOW SCHEDULE & NOTES..... 6
- 7. WINDOW LOCATION DETAILS..... 7

MAX. UNIT SIZE	DESIGN PRESSURE RATING	IMPACT RATING
68" X 76"	SEE COMPARATIVE ANALYSIS CHART, SHEET 5	NONE
96" X 54"		NONE

Custom
WINDOW SYSTEMS
1900 SW 44TH AVE.
OCALA, FLORIDA 34474
WWW.CWS.CC

**615 PVC
PICTURE WINDOW
NON-IMPACT**

PROPRIETARY AND CONFIDENTIAL

THE INFORMATION CONTAINED IN THIS DRAWING IS THE SOLE PROPERTY OF CUSTOM WINDOW SYSTEMS, INC. ANY REPRODUCTION IN PART OR AS A WHOLE WITHOUT THE WRITTEN PERMISSION OF CUSTOM WINDOW SYSTEMS, INC. IS PROHIBITED.

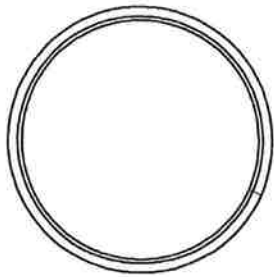


08/06/2020

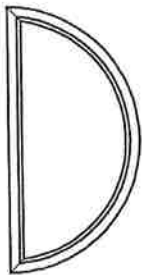
LUCAS A. TURNER
FL PE # 58201
2428 Old Natchez Trl
Carrden, TN 386
PH. 941-380-115

SHEET DESCRIPTION:
GENERAL NOTES & ELEVATION:

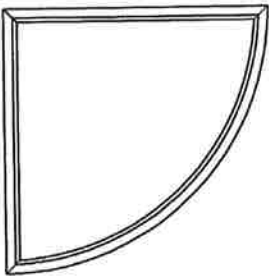
DRAWN BY:	DATE:
ADE	09/
DWG #:	REV:
CWS-944	
SCALE:	SI
1:25	1



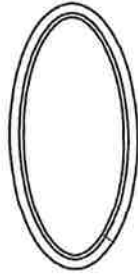
FULL CIRCLE



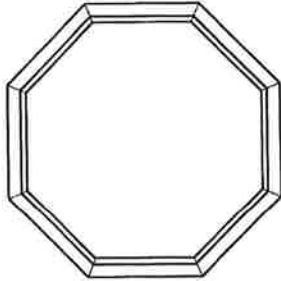
1/2 CIRCLE



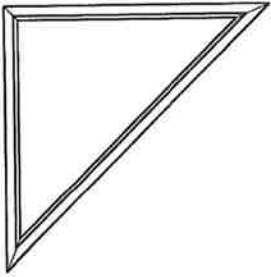
1/4 CIRCLE



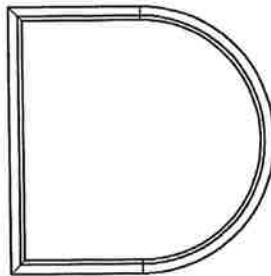
FULL ELLIPSE (OVAL)



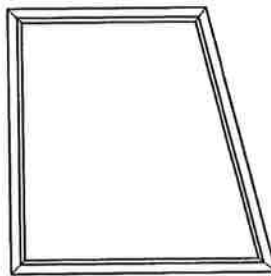
OCTAGON



TRIANGLE



TOMBSTONE



TRAPEZOID

NOTES:

1. SEE SHEET 6 FOR DETAILED ANCHOR INSTALLATION REQUIREMENTS.
2. THRU FRAME - MASONRY, WOOD OR METAL OPENING.
THRU FIN - WOOD OPENING.
3. OVERALL SIZE MUST NOT EXCEED THE MAX. WIDTH AND HEIGHT OF
RECTANGULAR WINDOWS ON SHEET 1.
4. ANCHOR SPACING FOR ARCHITECTURAL FLANGE AND FIN WINDOWS
MUST FOLLOW THE LAYOUTS SHOWN ON SHEET 6 WITH ANCHOR
SPACING MEASURED ALONG THE LENGTH OF THE PRODUCT.

Custom
WINDOW SYSTEMS
1900 SW 44TH AVE.
OCALA, FLORIDA 34474
WWW.CWS.CO

**615 PVC
PICTURE WINI
NON-IMPAC**

PROPRIETARY AND CONFIDENTIAL
THE INFORMATION CONTAINED IN
THIS DRAWING IS THE SOLE
PROPERTY OF CUSTOM WINDOW
SYSTEMS, INC. ANY
REPRODUCTION IN PART OR AS A
WHOLE WITHOUT THE WRITTEN

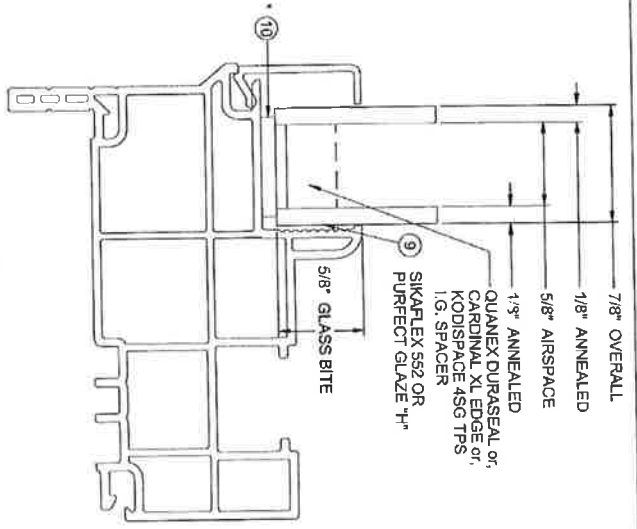


08/06/2020

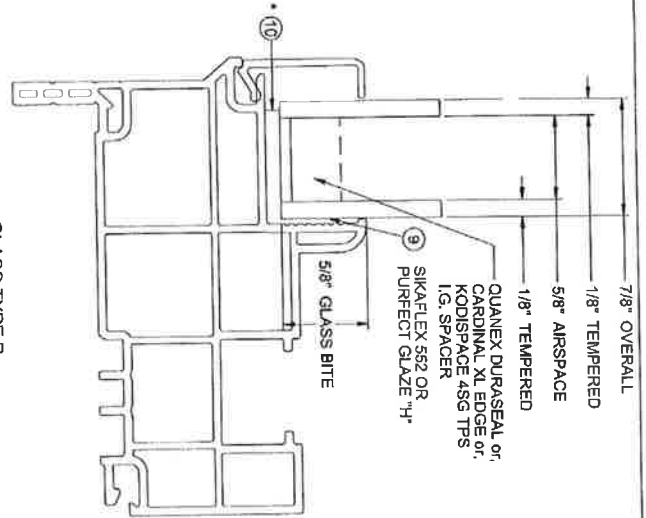
LUCAS A. TURNER
FL PE # 58201
2428 Old Natchez
Camden, TN 38:
PH. 941-380-15

SHEET DESCRIPTION:
ARCHITECTUR
SHAPES

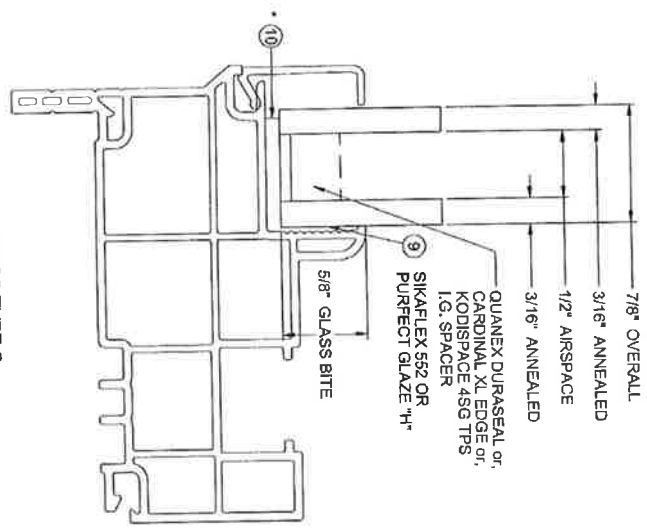
DRAWN BY:	DATE:
ADE	09
DWG #:	REV.:
CWS-944	
SCALE:	SI
1:1	2



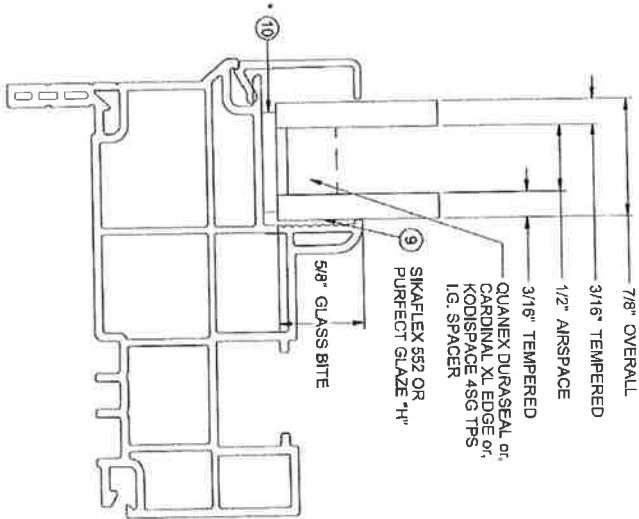
GLASS TYPE A



GLASS TYPE B



GLASS TYPE C



GLASS TYPE D

SETTING BLOCKS PER FBC 2411.3.3.3

Custom
 WINDOW SYSTEMS
 1900 SW 44TH AVE.
 OCALA, FLORIDA 34474
 WWW.CWS.CC

**615 PVC
 PICTURE WIND
 NON-IMPAC**

PROPRIETARY AND CONFIDENTIAL
 THE INFORMATION CONTAINED IN
 THIS DRAWING IS THE SOLE
 PROPERTY OF CUSTOM WINDOW
 SYSTEMS, INC. ANY
 REPRODUCTION IN PART OR AS A
 WHOLE WITHOUT THE WRITTEN
 PERMISSION OF CUSTOM WINDOW



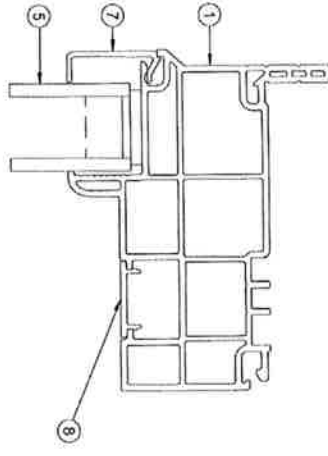
08/06/2020

LUCAS A. TURNER
 FL PE # 58201
 2428 Old Natchez
 Camden, TN 38
 PH. 941-380-15

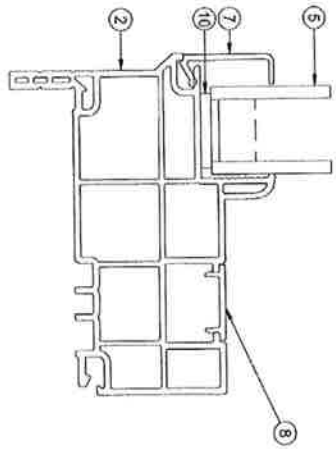
GLAZING DET.

DRAWN BY: ADE
 DATE: 09
 REV: 1

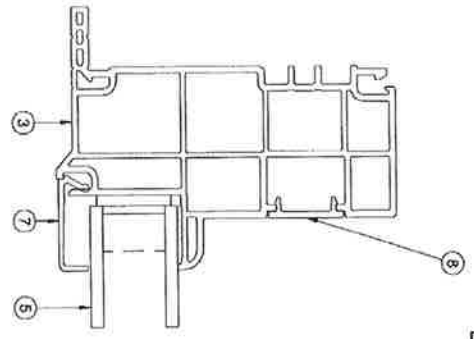
DWG #: CWS-944
 SCALE: 1:1



INTERIOR

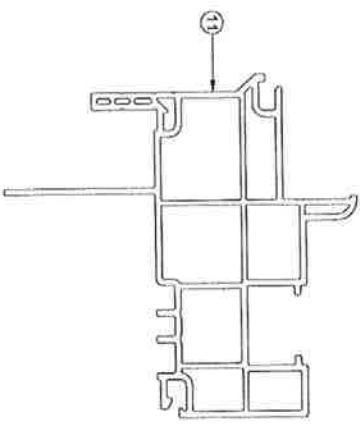
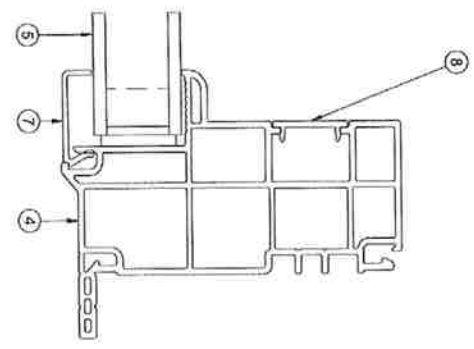


SECTION VIEW A-A



INTERIOR

SECTION VIEW B-B

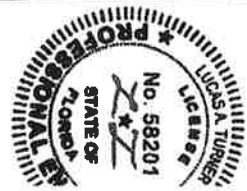


SECTION VIEW C-C
ALTERNATE FIN FRAME

Custom
WINDOW SYSTEMS
1900 SW 44TH AVE.
OCALA, FLORIDA 34472
WWW.CWS.CC

**615 PVC
PICTURE WINI
NON-IMPAC**

PROPRIETARY AND CONFIDENTIAL
THE INFORMATION CONTAINED IN THIS DRAWING IS THE SOLE PROPERTY OF CUSTOM WINDOW SYSTEMS, INC. ANY REPRODUCTION IN PART OR AS A WHOLE WITHOUT THE WRITTEN



08/06/2020

LUCAS A. TURNER
FL PE # 5820
2428 Old Natchez
Camden, TN, 38
PH. 941-380-16

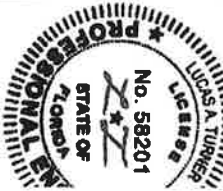
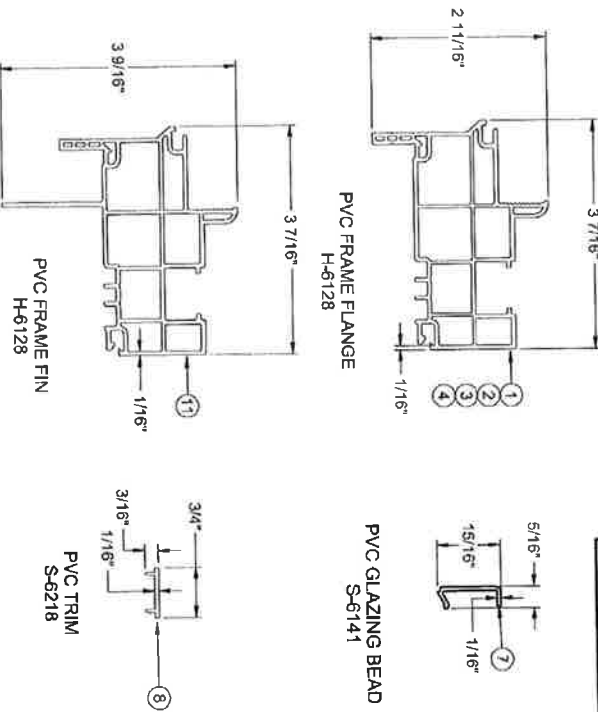
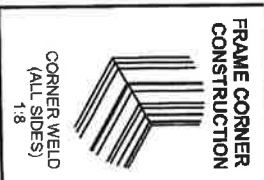
SECTION VIEW

DRAWN BY:	DATE:
ADE	09
DWG #:	REV.:
CWS-944	
SCALE:	S
1:1.33	4

0" CONFIG. DESIGN PRESSURES, PSF (POSITIVE AND NEGATIVE PRESSURES ARE EQUAL)

CLASS	UNIT WIDTH (IN)																	
	18	24	30	36	42	48	54	60	66	68	72	76	78	84	90	96		
A	75.0	75.0	75.0	75.0	75.0	75.0	75.0	75.0	75.0	75.0	75.0	75.0	75.0	75.0	75.0	75.0		
B or D	75.0	75.0	75.0	75.0	75.0	75.0	75.0	75.0	75.0	75.0	75.0	75.0	75.0	75.0	75.0	75.0		
C	75.0	75.0	75.0	75.0	75.0	75.0	75.0	75.0	75.0	75.0	75.0	75.0	75.0	75.0	75.0	75.0		
A	75.0	75.0	75.0	75.0	75.0	75.0	75.0	75.0	75.0	75.0	75.0	75.0	75.0	75.0	75.0	75.0		
B or D	75.0	75.0	75.0	75.0	75.0	75.0	75.0	75.0	75.0	75.0	75.0	75.0	75.0	75.0	75.0	75.0		
C	75.0	75.0	75.0	75.0	75.0	75.0	75.0	75.0	75.0	75.0	75.0	75.0	75.0	75.0	75.0	75.0		
A	75.0	75.0	75.0	75.0	75.0	75.0	75.0	75.0	75.0	75.0	75.0	75.0	75.0	75.0	75.0	75.0		
B or D	75.0	75.0	75.0	75.0	75.0	75.0	75.0	75.0	75.0	75.0	75.0	75.0	75.0	75.0	75.0	75.0		
C	75.0	75.0	75.0	75.0	75.0	75.0	75.0	75.0	75.0	75.0	75.0	75.0	75.0	75.0	75.0	75.0		
A	75.0	75.0	75.0	75.0	75.0	75.0	75.0	75.0	75.0	75.0	75.0	75.0	75.0	75.0	75.0	75.0		
B or D	75.0	75.0	75.0	75.0	75.0	75.0	75.0	75.0	75.0	75.0	75.0	75.0	75.0	75.0	75.0	75.0		
C	75.0	75.0	75.0	75.0	75.0	75.0	75.0	75.0	75.0	75.0	75.0	75.0	75.0	75.0	75.0	75.0		
A	75.0	75.0	75.0	75.0	75.0	75.0	75.0	75.0	75.0	75.0	75.0	75.0	75.0	75.0	75.0	75.0		
B or D	75.0	75.0	75.0	75.0	75.0	75.0	75.0	75.0	75.0	75.0	75.0	75.0	75.0	75.0	75.0	75.0		
C	75.0	75.0	75.0	75.0	75.0	75.0	75.0	75.0	75.0	75.0	75.0	75.0	75.0	75.0	75.0	75.0		
A	75.0	75.0	75.0	75.0	75.0	75.0	75.0	75.0	75.0	75.0	75.0	75.0	75.0	75.0	75.0	75.0		
B or D	75.0	75.0	75.0	75.0	75.0	75.0	75.0	75.0	75.0	75.0	75.0	75.0	75.0	75.0	75.0	75.0		
C	75.0	75.0	75.0	75.0	75.0	75.0	75.0	75.0	75.0	75.0	75.0	75.0	75.0	75.0	75.0	75.0		
A	75.0	75.0	75.0	75.0	75.0	75.0	75.0	75.0	75.0	75.0	75.0	75.0	75.0	75.0	75.0	75.0		
B or D	75.0	75.0	75.0	75.0	75.0	75.0	75.0	75.0	75.0	75.0	75.0	75.0	75.0	75.0	75.0	75.0		
C	75.0	75.0	75.0	75.0	75.0	75.0	75.0	75.0	75.0	75.0	75.0	75.0	75.0	75.0	75.0	75.0		
A	75.0	75.0	75.0	75.0	75.0	75.0	75.0	75.0	75.0	75.0	75.0	75.0	75.0	75.0	75.0	75.0		
B or D	75.0	75.0	75.0	75.0	75.0	75.0	75.0	75.0	75.0	75.0	75.0	75.0	75.0	75.0	75.0	75.0		
C	75.0	75.0	75.0	75.0	75.0	75.0	75.0	75.0	75.0	75.0	75.0	75.0	75.0	75.0	75.0	75.0		
A	75.0	75.0	75.0	75.0	75.0	75.0	75.0	75.0	75.0	75.0	75.0	75.0	75.0	75.0	75.0	75.0		
B or D	75.0	75.0	75.0	75.0	75.0	75.0	75.0	75.0	75.0	75.0	75.0	75.0	75.0	75.0	75.0	75.0		
C	75.0	75.0	75.0	75.0	75.0	75.0	75.0	75.0	75.0	75.0	75.0	75.0	75.0	75.0	75.0	75.0		
A	75.0	75.0	75.0	75.0	75.0	75.0	75.0	75.0	75.0	75.0	75.0	75.0	75.0	75.0	75.0	75.0		
B or D	75.0	75.0	75.0	75.0	75.0	75.0	75.0	75.0	75.0	75.0	75.0	75.0	75.0	75.0	75.0	75.0		
C	75.0	75.0	75.0	75.0	75.0	75.0	75.0	75.0	75.0	75.0	75.0	75.0	75.0	75.0	75.0	75.0		
A	75.0	75.0	75.0	75.0	75.0	75.0	75.0	75.0	75.0	75.0	75.0	75.0	75.0	75.0	75.0	75.0		
B or D	75.0	75.0	75.0	75.0	75.0	75.0	75.0	75.0	75.0	75.0	75.0	75.0	75.0	75.0	75.0	75.0		
C	75.0	75.0	75.0	75.0	75.0	75.0	75.0	75.0	75.0	75.0	75.0	75.0	75.0	75.0	75.0	75.0		
A	75.0	75.0	75.0	75.0	75.0	75.0	75.0	75.0	75.0	75.0	75.0	75.0	75.0	75.0	75.0	75.0		
B or D	75.0	75.0	75.0	75.0	75.0	75.0	75.0	75.0	75.0	75.0	75.0	75.0	75.0	75.0	75.0	75.0		
C	75.0	75.0	75.0	75.0	75.0	75.0	75.0	75.0	75.0	75.0	75.0	75.0	75.0	75.0	75.0	75.0		

ITEM	PART #	DESCRIPTION	MATERIAL
1	H-6128FLG	MAIN FRAME FLANGE, HEAD	PVC
2	H-6128FLG	MAIN FRAME FLANGE, SILL	PVC
3	H-6128FLG	MAIN FRAME FLANGE, L JAMB	PVC
4	H-6128FLG	MAIN FRAME FLANGE, R JAMB	PVC
5	GLASS	SEE SHEET 4	
7	S-6141	GLAZING BEAD	PVC
8	S-6218	FRAME FILLER	PVC
9		PURFECT GLAZE "H", SIKAFLEX 552	
10	P-5615	SET, BLK., 85 DUR, 1/8" x 1" x 2" LG.	
11	H-6128FIN	MAIN FRAME FIN, PVC	PVC



08/06/2020

LUCAS A. TURNER
FL, PE # 58201
2428 Old Natchez
Camden, TN 381
PH. 941-390-15

DP CHART, BOW
EXTRUSION

DRAWN BY: ADE 09, DATE: 09

DWG #: CWS-944, REV: 5

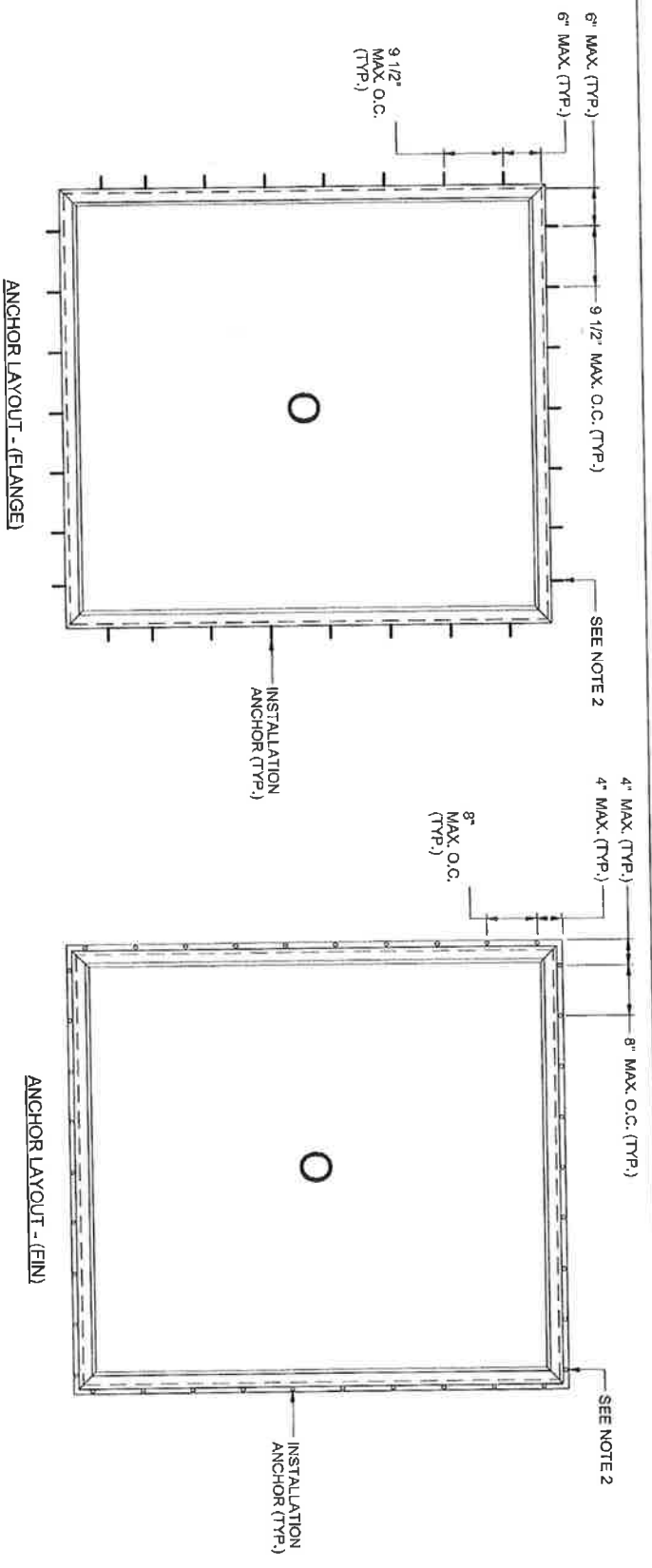
SCALE: 1:2

PROPRIETARY AND CONFIDENTIAL
THE INFORMATION CONTAINED IN THIS DRAWING IS THE SOLE PROPERTY OF CUSTOM WINDOW SYSTEMS, INC. ANY REPRODUCTION IN PART OR AS A WHOLE WITHOUT THE WRITTEN PERMISSION IS PROHIBITED.

Custom Window Systems
1900 SW 44TH AVE.
OCALA, FLORIDA 34474
WWW.CWS.CC

615 PVC
PICTURE WINDOW
NON-IMPACT

IF SIZE INTENDED IS NOT SHOWN, USE NEXT LARGER SIZE.



3:

ALL ONE ANCHOR AT EACH INSTALLATION LOCATION. ANCHOR SPACING APPLIES TO ALL SHAPES (SEE SHEET 2) ALONG ALL FRAME EDGES. SILL ANCHOR SPACING SAME AS HEAD.

AS REQ. AT EACH INSTALLATION ANCHOR USING LOAD BEARING SHIMS. MAX. ALLOWABLE SHIM STACK TO BE 1/4". USE SHIMS WHERE SPACE GREATER THAN 1/16" IS PRESENT. LOAD BEARING SHIMS SHALL BE

STRUCTURED OF HIGH DENSITY PLASTIC OR BETTER. WOOD SHIMS ARE NOT ALLOWED.

ANCHOR TYPE, SIZE, SPACING AND EMBEDMENT SHALL BE AS SPECIFIED IN THESE DRAWINGS. SEE TABLE 1, SHEET 7.

INSTALLATION ANCHORS MUST BE MADE OF OR PROTECTED WITH A CORROSION RESISTANT MATERIAL OR COATING. DISSIMILAR METALS OR MATERIALS IN CONTACT WITH PRESSURE TREATED WOOD MUST

PROTECTED TO PREVENT REACTION.

TALLATION ANCHORS SHALL BE IN ACCORDANCE WITH ANCHOR MANUFACTURER'S INSTALLATION INSTRUCTIONS. AND ANCHORS SHALL NOT BE USED IN SUBSTRATES WITH STRENGTHS LESS THAN THE MINIMUM

IFIED IN TABLE 1, SHEET 7.

ANCHOR EMBEDMENT TO SUBSTRATE SHALL BE BEYOND WALL DRESSING OR STUCCO. FOR CONCRETE/CMU OPENINGS, EMBEDMENT SHALL BE BEYOND WOOD BUCKS. IF USED, INTO SUBSTRATE - 1X BUCKS ARE

TIONAL.

MINIMUM CENTER-TO-CENTER SPACING SHALL BE MAINTAINED BETWEEN ALL FASTENERS: 3" FOR MASONRY, 1" FOR WOOD AND METAL.

OD OR MASONRY OPENINGS, BUCKS AND BUCK FASTENERS SHALL BE PROPERLY DESIGNED BY THE ARCHITECT OR ENGINEER OF RECORD AND INSTALLED TO TRANSFER WIND LOADS TO THE STRUCTURE.

STRATES SHALL MEET THE MINIMUM STRENGTH REQUIREMENTS AS SHOWN IN TABLE 1, SHEET 7. CONCRETE AND MASONRY SUBSTRATES MAY NOT BE CRACKED.

ALING AND FLASHING STRATEGIES FOR OVERALL WATER RESISTANCE OF INSTALLATION SHALL BE DONE BY OTHERS FOLLOWING THE CURRENT VERSION OF THE REFERENCE DOCUMENTS:

MA/AMA 100(FIN WINDOWS), FMA/AMA 200(FLANGE WINDOWS), FMA/AMA/DMA 250(BOX WINDOWS), FMA/AMA/DMA 300(EXTERIOR DOORS)

DRAWN BY: ADE		DATE: 09
DWG #: CWS-944		REV: 1
SCALE: 1:20		S 6

08/06/2020

LUCAS A. TURNER
FL PE # 5820
2428 Old Natchez
Canden, TN 38
PH. 941-380-13

SHEET DESCRIPTION:
ANCHOR SCHEDULE NOTES

PROPRIETARY AND CONFIDENTIAL

THE INFORMATION CONTAINED IN THIS DRAWING IS THE SOLE PROPERTY OF CUSTOM WINDOW SYSTEMS, INC. ANY REPRODUCTION IN PART OR AS A WHOLE WITHOUT THE WRITTEN

Custom Window Systems

1900 SW 44TH AVE.
OCALA, FLORIDA 34474
WWW.CWS.CC

615 PVC PICTURE WINDOW NON-IMPACT

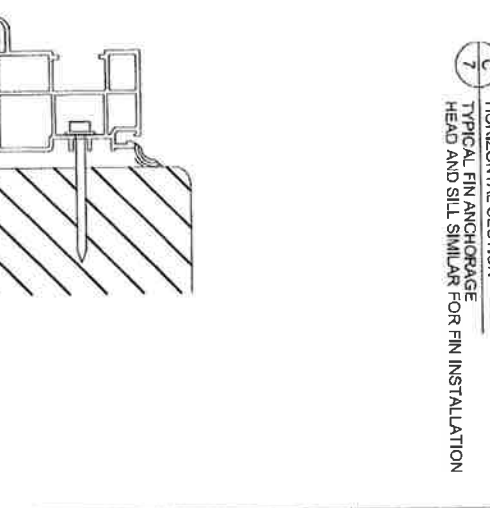
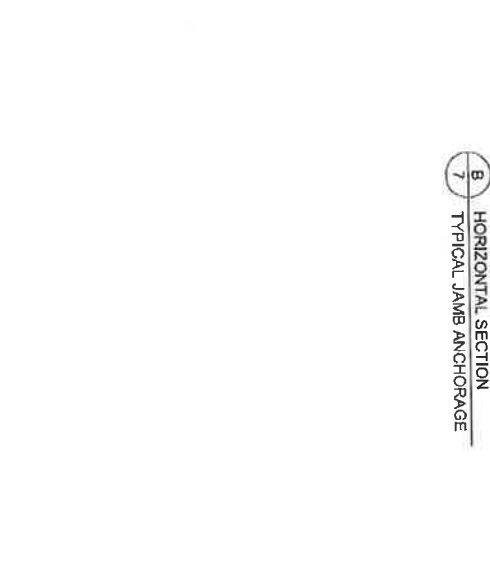
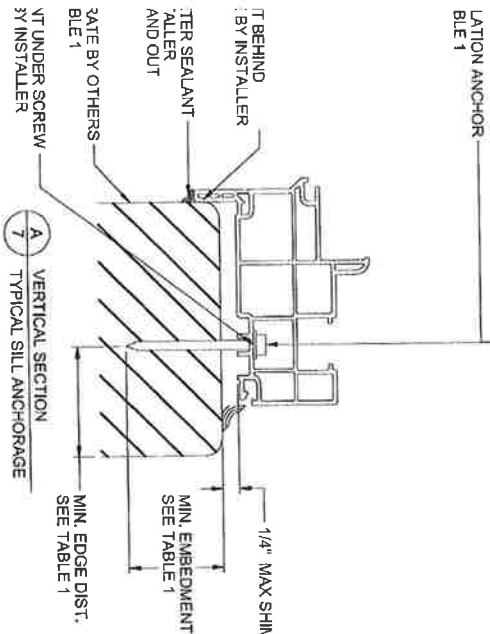
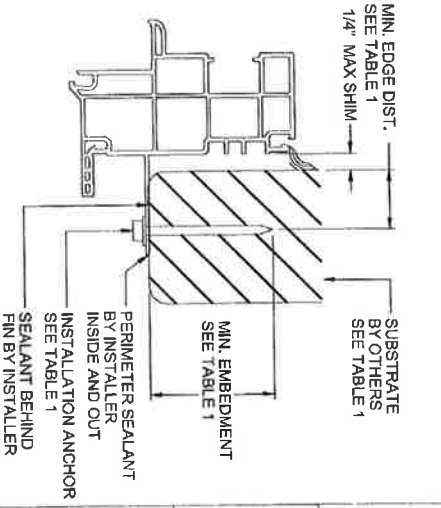
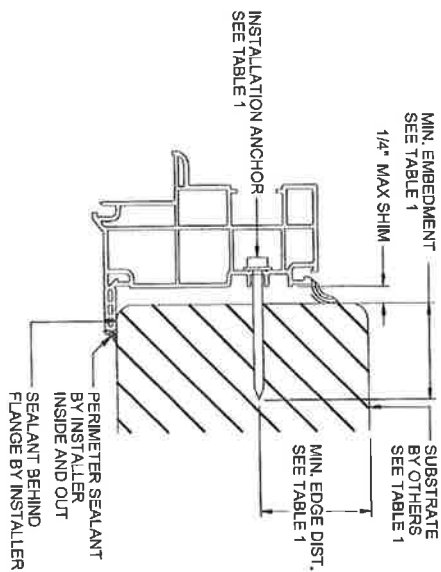
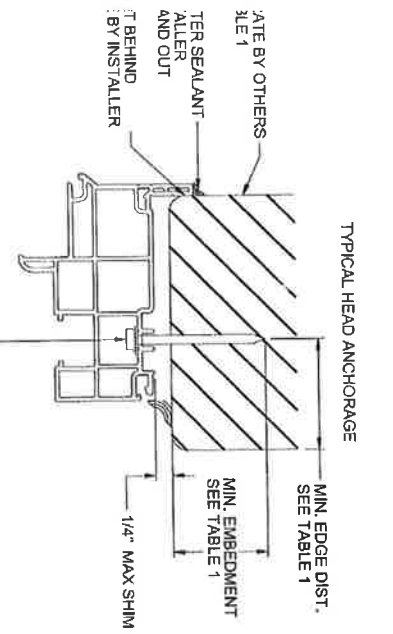


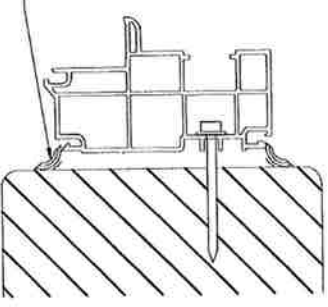
TABLE 1: APPROVED INSTALLATION FASTENERS

TYPE	SUBSTRATE TYPE	ANCHOR TYPE	MIN. EMBEDMENT	MIN. EDGE DIST.
1E	CONCRETE (2.0 KSI MIN.)	3/16" TW TAPCON	1-1/2"	1-1/8"
2E	HOLLOW OR GROUT-FILLED CMU (117 PCF MIN.)	3/16" TW TAPCON	1"	2"
3E	CONCRETE (2.85 KSI MIN.) (33 KSI YIELD MIN.)	3/16" ELCO ULTRACON	1"	1"
4E	GROUT-FILLED CMU (ASTM C-90)	3/16" ELCO ULTRACON	1-1/4"	2-1/2"
5E	2X MIN. SOUTHERN PINE (G=0.55)	3/16" TW TAPCON OR ELCO ULTRACON	1-3/8"	7/8"
6E	2X MIN. SOUTHERN PINE (G=0.55)	#10 WOOD SCREW	1-3/8"	7/8"
7E	16 GAUGE (0.060") MIN. STEEL STUD (33 KSI YIELD MIN.)	#10-18 HLT1 KWIK-FLEX OR 1TW TEK'S SELF-DRILLING SCREW	FULL THREAD THRU 0.060"	7/16"
8E	1/8" ALUM. (6063-T5 MIN.) OR 1/8" STEEL (33 KSI MIN.)	#10 GRADE 5 SELF-TAPPING / DRILLING SCREW	FULL THREAD THRU 0.125"	7/16"
9E	2X MIN. SOUTHERN PINE (G=0.55)	#8 WOOD SCREW	1-1/2"	7/16"

FLANGE REMOVAL NOTE: PARTIALLY OR FULLY REMOVING THE FLANGE, UP TO AND INCLUDING A BOX-FRAME APPLICATION IS ACCEPTABLE PROVIDED:

- MIN. 1/4" FILLET OF CONSTRUCTION-GRADE ADHESIVE CAULK IS APPLIED INSIDE AND OUT, FULL PERIMETER, BY INSTALLER.
- PRODUCT ANCHORAGE IS IN ACCORDANCE WITH REQUIREMENTS AS SHOWN FOR FLANGE WINDOWS.

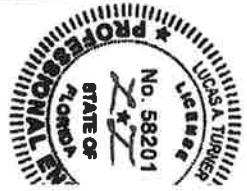
D HORIZONTAL SECTION BOX FRAME INSTALLATION HEAD AND SILL SIMILAR FOR BOX INSTALLATION



PROPRIETARY AND CONFIDENTIAL
 THE INFORMATION CONTAINED IN THIS DRAWING IS THE SOLE PROPERTY OF CUSTOM WINDOW SYSTEMS, INC. ANY REPRODUCTION IN PART OR AS A WHOLE WITHOUT THE WRITTEN

Custom Window Systems
 1900 SW 44TH AVE
 OCALA, FLORIDA 34474
 WWW.CWS.CC

615 PVC PICTURE WINDOW NON-IMPAC



LUCAS A. TURNER
 FL PE # 58201
 2428 Old Natchez
 Camden, TN 383
 PH. 941-380-15

08/06/2020

DRAWN BY: ADE
 DATE: 09

DWG #: CWS-944
 REV: 1

SCALE: 1:2

INSTALLATION DI



BCIS Home | Log In | User Registration | Hot Topics | Submit Surcharge | Stats & Facts | Publications | Contact Us | BCIS Site Map | Links | Search



Product Approval
USER: Public User

[Product Approval Menu](#) > [Product or Application Search](#) > [Application List](#) > **Application Detail**

OFFICE OF THE SECRETARY

FL #	FL15213-R4	.17
Application Type	Revision	
Code Version	2020	
Application Status	Approved	
Comments		
Archived		
Product Manufacturer	Plastpro Inc. / Nanya Plastics Corp.	
Address/Phone/Email	5200 W CENTURY BLVD. LOS ANGELES, CA 90045 (440) 969-9773 Ext 16 rickw@rwbldgconsultants.com	
Authorized Signature	Vivian Wright rickw@rwbldgconsultants.com	
Technical Representative	Scott Johnson	
Address/Phone/Email	5200 W Century Blvd. Los Angeles, CA 90045 (440) 969-9773 Ext 18 scottjohnson@plastproinc.com	
Quality Assurance Representative	Ron O'Connell	
Address/Phone/Email	5200 W Century Blvd. Los Angeles, CA 90045 (440) 969-9773 Ext 16 ronoconnell@plastpro.com	
Category	Exterior Doors	
Subcategory	Swinging Exterior Door Assemblies	
Compliance Method	Evaluation Report from a Florida Registered Architect or a Licensed Florida Professional Engineer <input type="checkbox"/> Evaluation Report - Hardcopy Received	
Florida Engineer or Architect Name who developed the Evaluation Report	Lyndon F. Schmidt, P.E.	
Florida License	PE-43409	
Quality Assurance Entity	National Accreditation and Management Institute	
Quality Assurance Contract Expiration Date	12/31/2021	
Validated By	Ryan J. King, P.E. <input type="checkbox"/> Validation Checklist - Hardcopy Received	
Certificate of Independence	FL15213 R4 COI (c) Certificate of Independence.pdf	
Referenced Standard and Year (of Standard)	Standard	Year
	101/I.S.2	1997
	101/I.S.2/NAFS	2002
	ASTM E1886	2002
	ASTM E1886	2005
	ASTM E1996	2009
	ASTM E1996	2002
	ASTM E330	2002

Equivalence of Product Standards
Certified By

Florida Licensed Professional Engineer or Architect
[FL15213 R4 Equiv of Standards \(d\).pdf](#)

Sections from the Code

Product Approval Method

Method 1 Option D

Date Submitted

07/21/2020

Date Validated

08/25/2020

Date Pending FBC Approval

08/26/2020

Date Approved

10/13/2020

Summary of Products

Go to Page

Page 1 / 2

FL #	Model, Number or Name	Description
15213.1	a. Smooth/Wood Grain/White Wood Grain/Rustic/Mahogany Series Fiberglass Door	6'8 "Impact" Opaque Fiberglass Single Door - Inswing/Outswing (X - Configuration)
Limits of Use Approved for use in HVHZ: No Approved for use outside HVHZ: Yes Impact Resistant: Yes Design Pressure: N/A Other: See INST 15213.1 for Design Pressure Ratings, any additional use limitations, installation instructions and product particulars.		Installation Instructions FL15213 R4 II (b) Inst 15213.1.pdf Verified By: Lyndon F. Schmidt, P.E. 43409 Created by Independent Third Party: Yes Evaluation Reports FL15213 R4 AE (b) Eval 15213.1.pdf Created by Independent Third Party: Yes
15213.2	b. Smooth/Wood Grain/White Wood Grain/Rustic/Mahogany Series Fiberglass Door	6'8 "Impact" Opaque Fiberglass Single Door with Sidelite utilizing "Snap Frame" Glazing - Inswing/Outswing (OX or XO - Configurations)
Limits of Use Approved for use in HVHZ: No Approved for use outside HVHZ: Yes Impact Resistant: Yes Design Pressure: N/A Other: See INST 15213.2 for Design Pressure Ratings, any additional use limitations, installation instructions and product particulars.		Installation Instructions FL15213 R4 II (b) Inst 15213.2.pdf Verified By: Lyndon F. Schmidt, P.E. 43409 Created by Independent Third Party: Yes Evaluation Reports FL15213 R4 AE (b) Eval 15213.2.pdf Created by Independent Third Party: Yes
15213.3	c. Smooth/Wood Grain/White Wood Grain/Rustic/Mahogany Series Fiberglass Door	6'8 "Impact" Opaque Fiberglass Single Door with Sidelites utilizing "Snap Frame" Glazing - Inswing/Outswing (OXO - Configuration)
Limits of Use Approved for use in HVHZ: No Approved for use outside HVHZ: Yes Impact Resistant: Yes Design Pressure: N/A Other: See INST 15213.3 for Design Pressure Ratings, any additional use limitations, installation instructions and product particulars.		Installation Instructions FL15213 R4 II (b) Inst 15213.3.pdf Verified By: Lyndon F. Schmidt, P.E. 43409 Created by Independent Third Party: Yes Evaluation Reports FL15213 R4 AE (b) Eval 15213.3.pdf Created by Independent Third Party: Yes
15213.4	d. Smooth/Wood Grain/White Wood Grain/Rustic/Mahogany Series Fiberglass Door	6'8 "Impact" Opaque Fiberglass Single Door with Sidelite utilizing "Lip Lite" Glazing - Inswing/Outswing (OX or XO - Configurations)
Limits of Use Approved for use in HVHZ: No Approved for use outside HVHZ: Yes Impact Resistant: Yes Design Pressure: N/A Other: See INST 15213.4 for Design Pressure Ratings, any additional use limitations, installation instructions and product particulars.		Installation Instructions FL15213 R4 II (b) Inst 15213.4.pdf Verified By: Lyndon F. Schmidt, P.E. 43409 Created by Independent Third Party: Yes Evaluation Reports FL15213 R4 AE (b) Eval 15213.4.pdf Created by Independent Third Party: Yes
15213.5	e. Smooth/Wood Grain/White Wood Grain/Rustic/Mahogany Series Fiberglass Door	6'8 "Impact" Opaque Fiberglass Single Door with Sidelites utilizing "Lip Lite" Glazing - Inswing/Outswing (OXO - Configuration)

	<p>Limits of Use Approved for use in HVHZ: No Approved for use outside HVHZ: Yes Impact Resistant: Yes Design Pressure: N/A Other: See INST 15213.5 for Design Pressure Ratings, any additional use limitations, installation instructions and product particulars.</p>	<p>Installation Instructions FL15213_R4_IL (b) Inst 15213.5.pdf Verified By: Lyndon F. Schmidt, P.E. 43409 Created by Independent Third Party: Yes Evaluation Reports FL15213_R4_AE (b) Eval 15213.5.pdf Created by Independent Third Party: Yes</p>
15213.6	f. Smooth/Wood Grain/White Wood Grain/Rustic/Mahogany Series Fiberglass Door	6'8 "Impact" Opaque Fiberglass Double Door - Inswing/Outswing (XX - Configuration)
	<p>Limits of Use Approved for use in HVHZ: No Approved for use outside HVHZ: Yes Impact Resistant: Yes Design Pressure: N/A Other: See INST 15213.6 for Design Pressure Ratings, any additional use limitations, installation instructions and product particulars.</p>	<p>Installation Instructions FL15213_R4_IL (b) Inst 15213.6.pdf Verified By: Lyndon F. Schmidt, P.E. 43409 Created by Independent Third Party: Yes Evaluation Reports FL15213_R4_AE (b) Eval 15213.6.pdf Created by Independent Third Party: Yes</p>
15213.7	g. Smooth/Wood Grain/White Wood Grain/Rustic/Mahogany Series Fiberglass Door	6'8 "Impact" Opaque Fiberglass Double Door with Sidelites utilizing "Snap Frame" Glazing - Inswing/Outswing (OXXO - Configuration)
	<p>Limits of Use Approved for use in HVHZ: No Approved for use outside HVHZ: Yes Impact Resistant: Yes Design Pressure: N/A Other: See INST 15213.7 for Design Pressure Ratings, any additional use limitations, installation instructions and product particulars.</p>	<p>Installation Instructions FL15213_R4_IL (b) Inst 15213.7.pdf Verified By: Lyndon F. Schmidt, P.E. 43409 Created by Independent Third Party: Yes Evaluation Reports FL15213_R4_AE (b) Eval 15213.7.pdf Created by Independent Third Party: Yes</p>
15213.8	h. Smooth/Wood Grain/White Wood Grain/Rustic/Mahogany Series Fiberglass Door	6'8 "Impact" Opaque Fiberglass Double Door with Sidelites utilizing "Lip Lite" Glazing - Inswing/Outswing (OXXO - Configuration)
	<p>Limits of Use Approved for use in HVHZ: No Approved for use outside HVHZ: Yes Impact Resistant: Yes Design Pressure: N/A Other: See INST 15213.8 for Design Pressure Ratings, any additional use limitations, installation instructions and product particulars.</p>	<p>Installation Instructions FL15213_R4_IL (b) Inst 15213.8.pdf Verified By: Lyndon F. Schmidt, P.E. 43409 Created by Independent Third Party: Yes Evaluation Reports FL15213_R4_AE (b) Eval 15213.8.pdf Created by Independent Third Party: Yes</p>
15213.9	i. Smooth/Wood Grain/White Wood Grain/Rustic/Mahogany Series Fiberglass Door	6'8 "Non-Impact" Glazed Fiberglass Single Door utilizing "Snap Frame" Glazing - Inswing/Outswing (X - Configuration)
	<p>Limits of Use Approved for use in HVHZ: No Approved for use outside HVHZ: Yes Impact Resistant: No Design Pressure: N/A Other: See INST 15213.9 for Design Pressure Ratings, any additional use limitations, installation instructions and product particulars.</p>	<p>Installation Instructions FL15213_R4_IL (b) Inst 15213.9.pdf Verified By: Lyndon F. Schmidt, P.E. 43409 Created by Independent Third Party: Yes Evaluation Reports FL15213_R4_AE (b) Eval 15213.9.pdf Created by Independent Third Party: Yes</p>
15213.10	j. Smooth/Wood Grain/White Wood Grain/Rustic/Mahogany Series Fiberglass Door	6'8 "Non-Impact" Glazed Fiberglass Single Door with Sidelite utilizing "Snap Frame" Glazing - Inswing/Outswing (OX or XO - Configurations)
	<p>Limits of Use Approved for use in HVHZ: No Approved for use outside HVHZ: Yes Impact Resistant: No Design Pressure: N/A Other: See INST 15213.10 for Design Pressure Ratings, any additional use limitations, installation instructions and product particulars.</p>	<p>Installation Instructions FL15213_R4_IL (b) Inst 15213.10.pdf Verified By: Lyndon F. Schmidt, P.E. 43409 Created by Independent Third Party: Yes Evaluation Reports FL15213_R4_AE (b) Eval 15213.10.pdf Created by Independent Third Party: Yes</p>
15213.11	k. Smooth/Wood Grain/White Wood Grain/Rustic/Mahogany Series Fiberglass Door	6'8 "Non-Impact" Glazed Fiberglass Single Door with Sidelites utilizing "Snap Frame" Glazing - Inswing/Outswing (OXO - Configuration)
	<p>Limits of Use Approved for use in HVHZ: No Approved for use outside HVHZ: Yes Impact Resistant: No Design Pressure: N/A Other: See INST 15213.11 for Design Pressure Ratings, any</p>	<p>Installation Instructions FL15213_R4_IL (b) Inst 15213.11.pdf Verified By: Lyndon F. Schmidt, P.E. 43409 Created by Independent Third Party: Yes Evaluation Reports</p>

	additional use limitations, installation instructions and product particulars.	FL15213 R4 AE (b) Eval 15213.11.pdf Created by Independent Third Party: Yes
15213.12	l. Smooth/Wood Grain/White Wood Grain/Rustic/Mahogany Series N Fiberglass Door	6'8 "Non-Impact" Glazed Fiberglass Double Door utilizing "Snap Frame" Glazing - Inswing/Outswing (XX - Configuration)
	Limits of Use Approved for use in HVHZ: No Approved for use outside HVHZ: Yes Impact Resistant: No Design Pressure: N/A Other: See INST 15213.12 for Design Pressure Ratings, any additional use limitations, installation instructions and product particulars.	Installation Instructions FL15213 R4 II (b) Inst 15213.12.pdf Verified By: Lyndon F. Schmidt, P.E. 43409 Created by Independent Third Party: Yes Evaluation Reports FL15213 R4 AE (b) Eval 15213.12.pdf Created by Independent Third Party: Yes
15213.13	m. Smooth/Wood Grain/White Wood Grain/Rustic/Mahogany Series N Fiberglass Door	6'8 "Non-Impact" Glazed Fiberglass Double Door with Sidelites utilizing "Snap Frame" Glazing - Inswing/Outswing (OXXO - Configuration)
	Limits of Use Approved for use in HVHZ: No Approved for use outside HVHZ: Yes Impact Resistant: No Design Pressure: N/A Other: See INST 15213.13 for Design Pressure Ratings, any additional use limitations, installation instructions and product particulars.	Installation Instructions FL15213 R4 II (b) Inst 15213.13.pdf Verified By: Lyndon F. Schmidt, P.E. 43409 Created by Independent Third Party: Yes Evaluation Reports FL15213 R4 AE (b) Eval 15213.13.pdf Created by Independent Third Party: Yes
15213.14	n. Smooth/Wood Grain/White Wood Grain/Rustic/Mahogany Series N Fiberglass Door	6'8 "Non-Impact" Glazed Fiberglass Single Door utilizing "Lip Lite" Glazing - Inswing/Outswing (X - Configuration)
	Limits of Use Approved for use in HVHZ: No Approved for use outside HVHZ: Yes Impact Resistant: No Design Pressure: N/A Other: See INST 15213.14 for Design Pressure Ratings, any additional use limitations, installation instructions and product particulars.	Installation Instructions FL15213 R4 II (b) Inst 15213.14.pdf Verified By: Lyndon F. Schmidt, P.E. 43409 Created by Independent Third Party: Yes Evaluation Reports FL15213 R4 AE (b) Eval 15213.14.pdf Created by Independent Third Party: Yes
15213.15	o. Smooth/Wood Grain/White Wood Grain/Rustic/Mahogany Series N Fiberglass Door	6'8 "Non-Impact" Glazed Fiberglass Single Door with Sidelite utilizing "Lip Lite" Glazing - Inswing/Outswing (OX or XO - Configurations)
	Limits of Use Approved for use in HVHZ: No Approved for use outside HVHZ: Yes Impact Resistant: No Design Pressure: N/A Other: See INST 15213.15 for Design Pressure Ratings, any additional use limitations, installation instructions and product particulars.	Installation Instructions FL15213 R4 II (b) Inst 15213.15.pdf Verified By: Lyndon F. Schmidt, P.E. 43409 Created by Independent Third Party: Yes Evaluation Reports FL15213 R4 AE (b) Eval 15213.15.pdf Created by Independent Third Party: Yes
15213.16	p. Smooth/Wood Grain/White Wood Grain/Rustic/Mahogany Series N Fiberglass Door	6'8 "Non-Impact" Glazed Fiberglass Single Door with Sidelites utilizing "Lip Lite" Glazing - Inswing/Outswing (OXO - Configuration)
	Limits of Use Approved for use in HVHZ: No Approved for use outside HVHZ: Yes Impact Resistant: No Design Pressure: N/A Other: See INST 15213.16 for Design Pressure Ratings, any additional use limitations, installation instructions and product particulars.	Installation Instructions FL15213 R4 II (b) Inst 15213.16.pdf Verified By: Lyndon F. Schmidt, P.E. 43409 Created by Independent Third Party: Yes Evaluation Reports FL15213 R4 AE (b) Eval 15213.16.pdf Created by Independent Third Party: Yes
15213.17	q. Smooth/Wood Grain/White Wood Grain/Rustic/Mahogany Series N Fiberglass Door	6'8 "Non-Impact" Glazed Fiberglass Double Door utilizing "Lip Lite" Glazing - Inswing/Outswing (XX - Configuration)
	Limits of Use Approved for use in HVHZ: No Approved for use outside HVHZ: Yes Impact Resistant: No Design Pressure: N/A Other: See INST 15213.17 for Design Pressure Ratings, any additional use limitations, installation instructions and product particulars.	Installation Instructions FL15213 R4 II (b) Inst 15213.17.pdf Verified By: Lyndon F. Schmidt, P.E. 43409 Created by Independent Third Party: Yes Evaluation Reports FL15213 R4 AE (b) Eval 15213.17.pdf Created by Independent Third Party: Yes
15213.18	r. Smooth/Wood Grain/White Wood Grain/Rustic/Mahogany Series N Fiberglass Door	6'8 "Non-Impact" Glazed Fiberglass Double Door with Sidelites utilizing "Lip Lite" Glazing - Inswing/Outswing (OXXO - Configuration)

<p>Limits of Use Approved for use in HVHZ: No Approved for use outside HVHZ: Yes Impact Resistant: No Design Pressure: N/A Other: INST 15213.18 for Design Pressure Ratings, any additional use limitations, installation instructions and product particulars.</p>		<p>Installation Instructions FL15213_R4_II (b) Inst 15213.18.pdf Verified By: Lyndon F. Schmidt, P.E. 43409 Created by Independent Third Party: Yes Evaluation Reports FL15213_R4_AE (b) Eval 15213.18.pdf Created by Independent Third Party: Yes</p>
<p>15213.19</p>	<p>s. Smooth/Wood Grain/White Wood Grain/Rustic/Mahogany Series N Fiberglass Door</p>	<p>8'0 "Impact" Opaque Fiberglass Single Door - Inswing/Outswing (X - Configuration)</p>
<p>Limits of Use Approved for use in HVHZ: No Approved for use outside HVHZ: Yes Impact Resistant: Yes Design Pressure: N/A Other: INST 15213.19 for Design Pressure Ratings, any additional use limitations, installation instructions and product particulars.</p>		<p>Installation Instructions FL15213_R4_II (b) Inst 15213.19.pdf Verified By: Lyndon F. Schmidt, P.E. 43409 Created by Independent Third Party: Yes Evaluation Reports FL15213_R4_AE (b) Eval 15213.19.pdf Created by Independent Third Party: Yes</p>
<p>15213.20</p>	<p>t. Smooth/Wood Grain/White Wood Grain/Rustic/Mahogany Series N Fiberglass Door</p>	<p>8'0 "Impact" Opaque Fiberglass Single Door with Sidelite utilizing "Snap Frame" Glazing - Inswing/Outswing (OX or XO - Configurations)</p>
<p>Limits of Use Approved for use in HVHZ: No Approved for use outside HVHZ: Yes Impact Resistant: Yes Design Pressure: N/A Other: INST 15213.20 for Design Pressure Ratings, any additional use limitations, installation instructions and product particulars.</p>		<p>Installation Instructions FL15213_R4_II (b) Inst 15213.20.pdf Verified By: Lyndon F. Schmidt, P.E. 43409 Created by Independent Third Party: Yes Evaluation Reports FL15213_R4_AE (b) Eval 15213.20.pdf Created by Independent Third Party: Yes</p>

Go to Page

Page 1 / 2



Contact Us :: [2601 Blair Stone Road, Tallahassee FL 32399](#) Phone: 850-487-1824

The State of Florida is an AA/EEO employer. [Copyright 2007-2013 State of Florida](#). :: [Privacy Statement](#) :: [Accessibility Statement](#) :: [Refund Statement](#)

Under Florida law, email addresses are public records. If you do not want your e-mail address released in response to a public-records request, do not send electronic mail to this entity. Instead, contact the office by phone or by traditional mail. If you have any questions, please contact 850.487.1395. *Pursuant to Section 455.275(1), Florida Statutes, effective October 1, 2012, licensees licensed under Chapter 455, F.S. must provide the Department with an email address if they have one. The emails provided may be used for official communication with the licensee. However email addresses are public record. If you do not wish to supply a personal address, please provide the Department with an email address which can be made available to the public. To determine if you are a licensee under Chapter 455, F.S., please click [here](#).





plastpro

5200 W. CENTURY BLVD.
LOS ANGELES, CA 90045

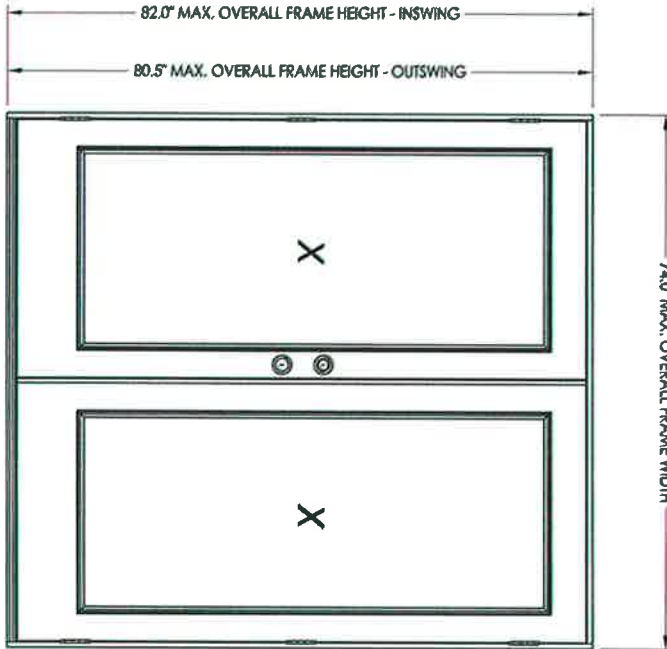
**Smooth / Wood Grain / White Wood Grain
Rustic / Mahogany
Series N Fiberglass Door
INSWING / OUTSWING
"NON-IMPACT"**

GENERAL NOTES

1. This product has been evaluated and is in compliance with the 7th Edition (2020) Florida Building Code (FBC) structural requirements excluding the "High Velocity Hurricane Zone" (HVHZ).
2. Product anchors shall be as listed and spaced as shown on details. Anchor embedment to base material shall be beyond wall dressing or stucco.
3. When used in areas requiring wind borne debris protection this product is required to be protected with an impact resistant covering that complies with FBC Sections 1609.1.2 & R301.2.1.2.
4. For 2x stud framing construction, anchoring of these units shall be the same as that shown for 2x buck masonry construction.
5. Site conditions that deviate from the details of this drawing require further engineering analysis by a licensed engineer or registered architect.

TABLE OF CONTENTS

SHEET #	DESCRIPTION
1	Typical elevation, design pressures, & general notes
2	Door panel details
3	Horizontal cross sections
4	Vertical cross sections
5	Buck and frame anchoring - 2x buck masonry construction
6	Frame anchoring - 1x buck masonry construction
7	Endura astragal details
8	Bit of material, glazing detail & components



SWING	OVERALL FRAME DIMENSION	DOOR D.L.O. DIMENSION	GLASS TYPE	DESIGN PRESSURE (PSF)	
				POSITIVE	NEGATIVE
INSWING	74.0" x 82.0"	21.0" x 63.0"	G1	+47.0	-47.0
OUTSWING	74.0" x 80.5"	21.0" x 63.0"		+50.0	-50.0



August 5, 2020

Documents Prepared By:
Lyndon F. Schmidt
P.E. No. 43409

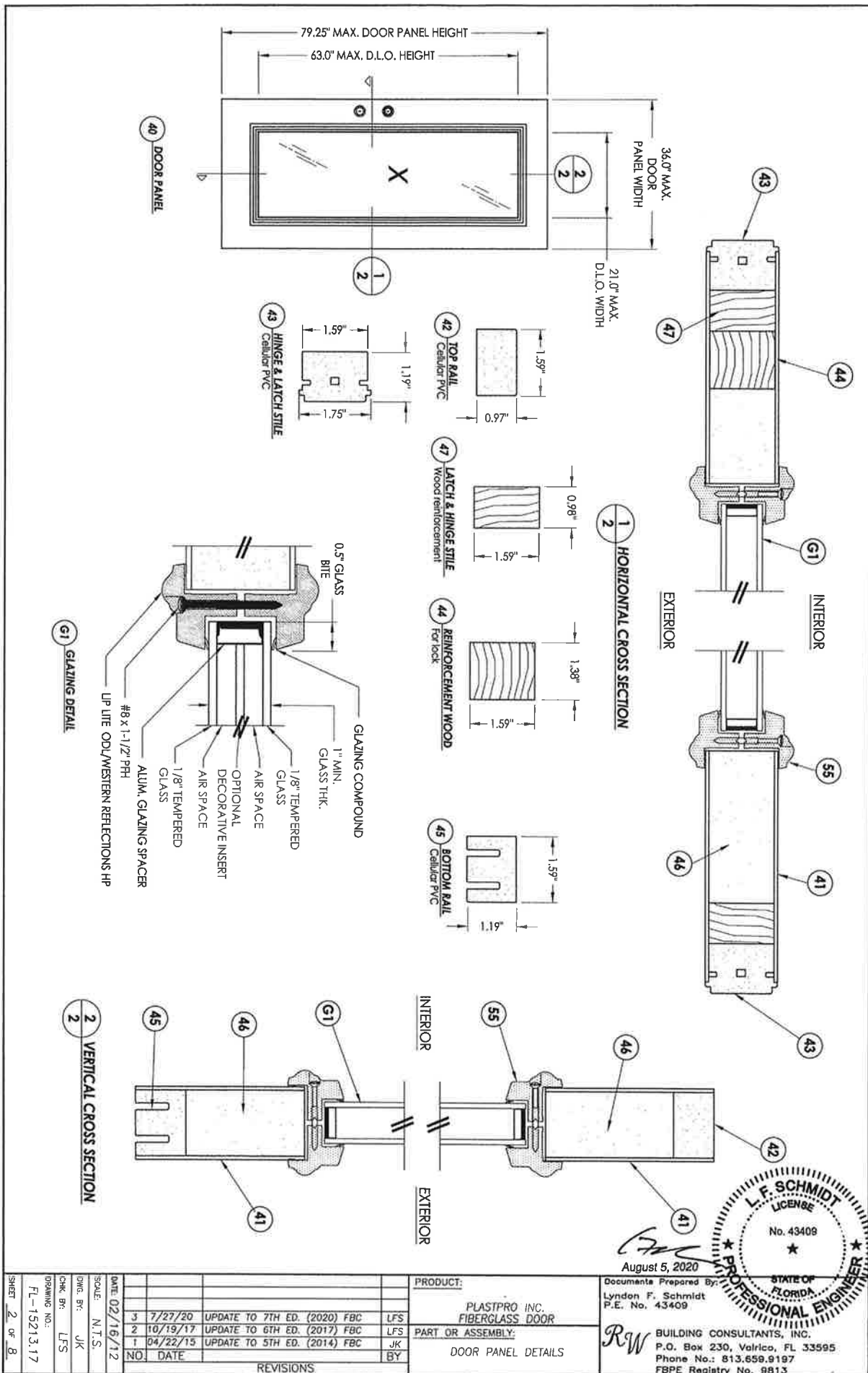
RW BUILDING CONSULTANTS, INC.
P.O. Box 230, Valrico, FL 33595
Phone No.: 813.659.9197
FBPE Registry No. 9813

PRODUCT:
PLASTPRO INC.
FIBERGLASS DOOR
PART OR ASSEMBLY:
TYPICAL ELEVATION, DESIGN
PRESSURES & GENERAL NOTES

REVISIONS

NO.	DATE	DESCRIPTION	BY
3	7/27/20	UPDATE TO 7TH ED. (2020) FBC	LFS
2	10/19/17	UPDATE TO 6TH ED. (2017) FBC	LFS
1	04/22/15	UPDATE TO 5TH ED. (2014) FBC	JK

DATE: 02/16/12
SCALE: N.T.S.
DWS: BK
CHK: BK
DWS: BK
CHK: LFS
DRAWING NO.: FL-15213.17
SHEET 1 OF 8

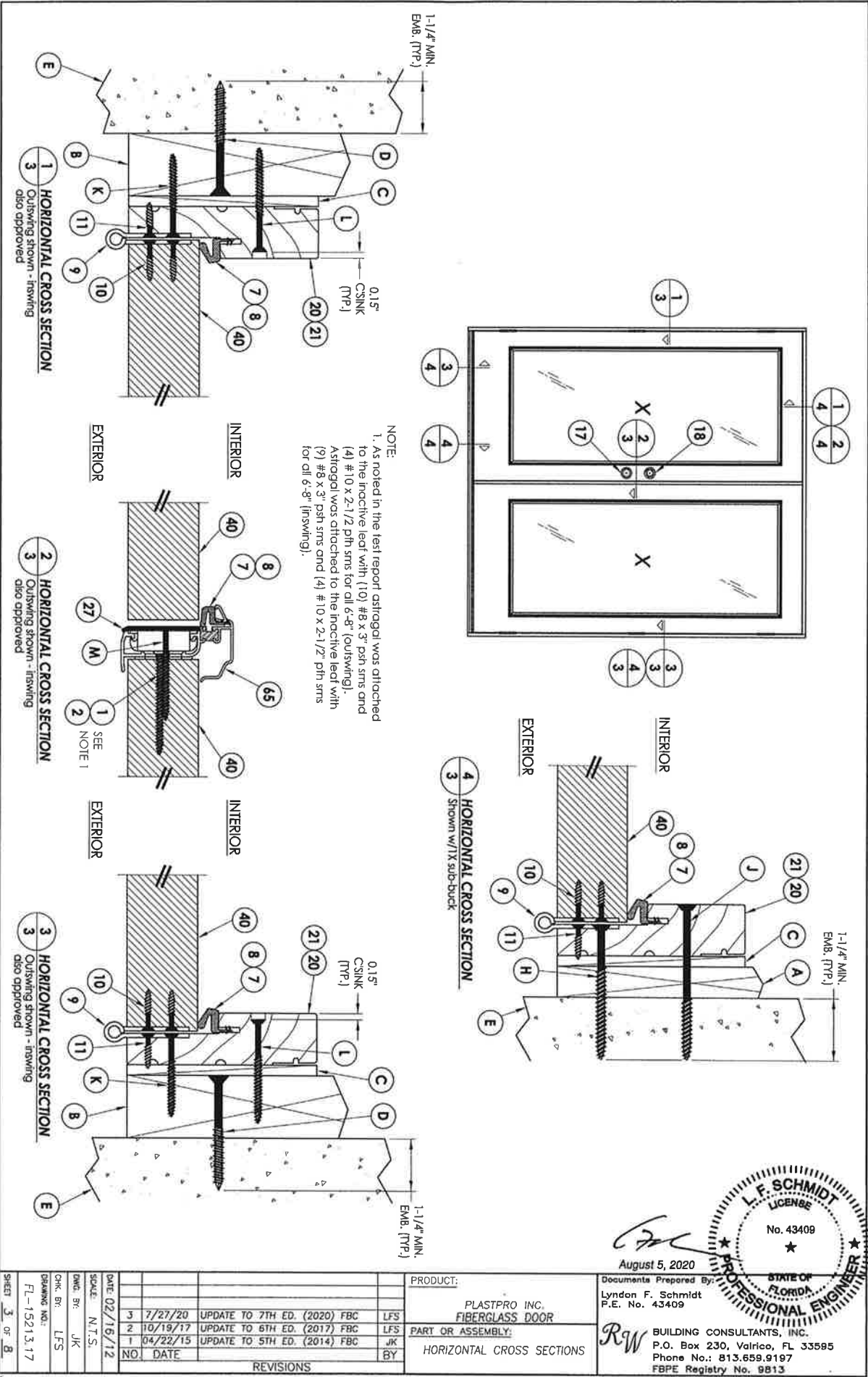


NO.	DATE	REVISIONS	BY
3	7/27/20	UPDATE TO 7TH ED. (2020) FBC	LFS
2	10/19/17	UPDATE TO 6TH ED. (2017) FBC	LFS
1	04/22/15	UPDATE TO 5TH ED. (2014) FBC	JK

PRODUCT:	PLASTPRO INC. FIBERGLASS DOOR
PART OR ASSEMBLY:	DOOR PANEL DETAILS

Documents Prepared By:
 Lyndon F. Schmidt
 P.E. No. 43409

RqW BUILDING CONSULTANTS, INC.
 P.O. Box 230, Valrico, FL 33595
 Phone No.: 813.658.9197
 FBPE Registry No. 9813



NOTE:
 1. As noted in the test report astroggi was attached to the inactive leaf with (10) #8 x 3" psh sms and (4) #10 x 2-1/2" psh sms for all 6-8" (outswing). Astroggi was attached to the inactive leaf with (9) #8 x 3" psh sms and (4) #10 x 2-1/2" psh sms for all 6-8" (inswing).

L. F. SCHMIDT
 LICENSE
 No. 43409
 STATE OF FLORIDA
 PROFESSIONAL ENGINEER

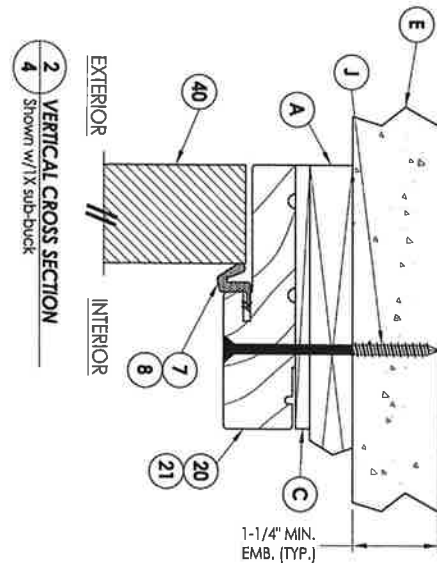
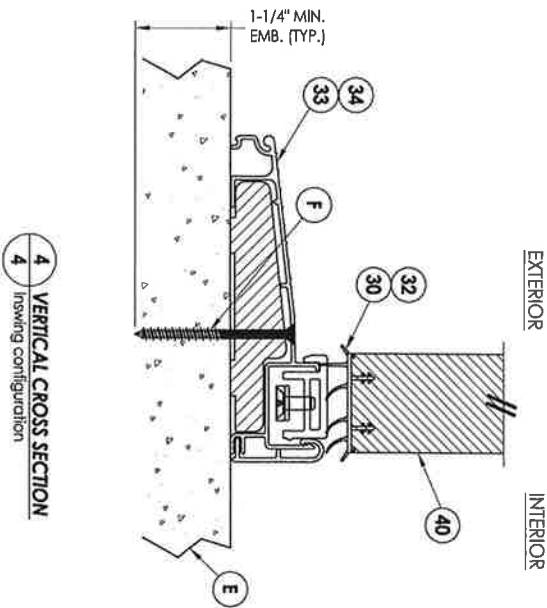
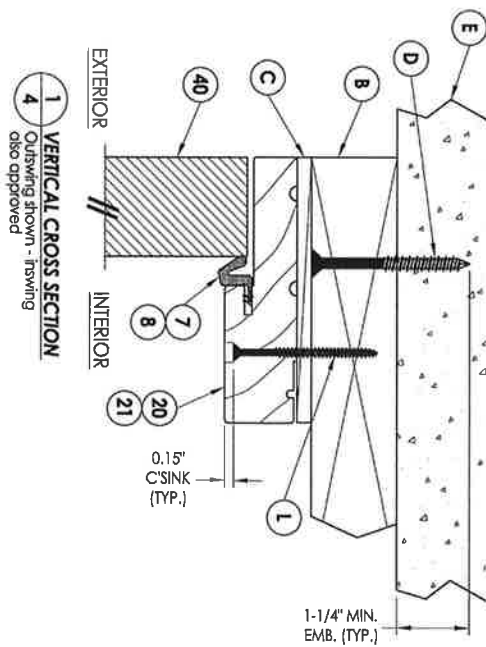
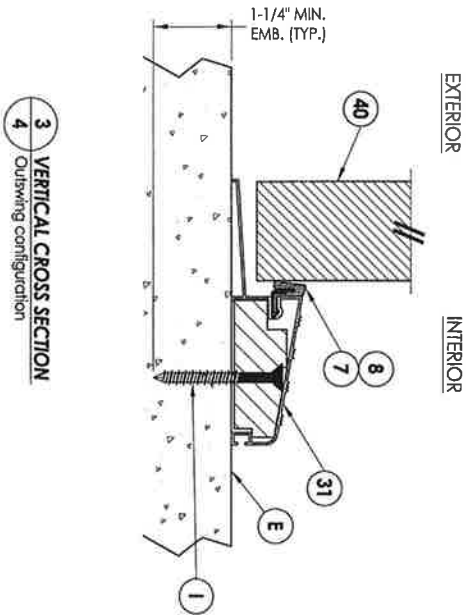
August 5, 2020

Documents Prepared By:
 Lyndon F. Schmidt
 P.E. No. 43409

RW BUILDING CONSULTANTS, INC.
 P.O. Box 230, Valrico, FL 33585
 Phone No.: 813.659.9197
 FBPE Registry No. 9813

NO.	DATE	REVISIONS	BY
3	7/27/20	UPDATE TO 7TH ED. (2020) FBC	LFS
2	10/19/17	UPDATE TO 6TH ED. (2017) FBC	LFS
1	04/22/15	UPDATE TO 5TH ED. (2014) FBC	JK

PRODUCT:	PLASTPRO INC. FIBERGLASS DOOR
PART OR ASSEMBLY:	HORIZONTAL CROSS SECTIONS
DATE:	02/16/12
SCALE:	N.T.S.
DWG. BY:	JK
CHK. BY:	LFS
DRAWING NO.:	FL-15213.17
SHEET	3 OF 8



August 5, 2020

Documents Prepared By:
Lyndon F. Schmidt
P.E. No. 43409

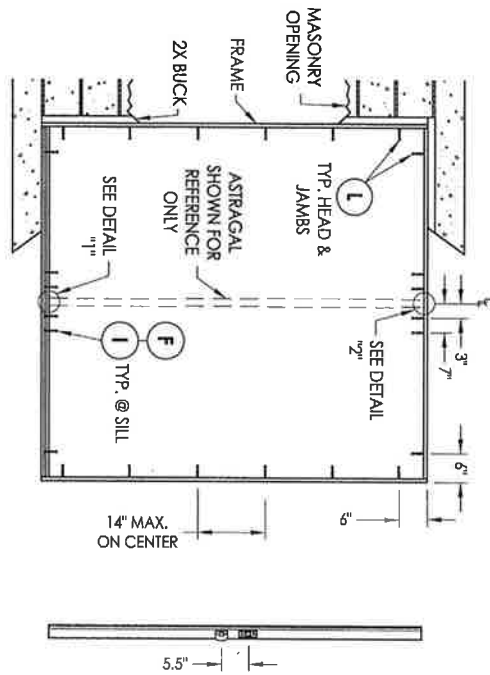
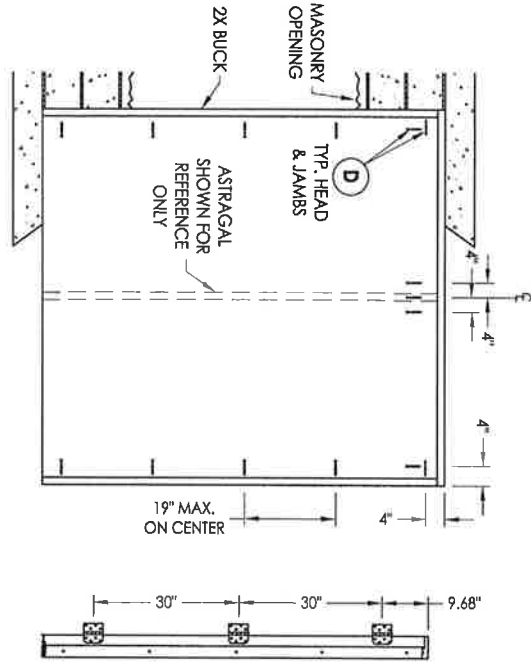
L. F. SCHMIDT
LICENSE
No. 43409
STATE OF FLORIDA
PROFESSIONAL ENGINEER

R.W. BUILDING CONSULTANTS, INC.
P.O. Box 230, Valrico, FL 33595
Phone No.: 813.659.9197
FBPE Registry No. 9813

NO.	DATE	REVISIONS	BY
3	7/27/20	UPDATE TO 7TH ED. (2020) FBC	LFS
2	10/19/17	UPDATE TO 6TH ED. (2017) FBC	LFS
1	04/22/15	UPDATE TO 5TH ED. (2014) FBC	JK

PRODUCT: PLASTPRO INC. FIBERGLASS DOOR
PART OR ASSEMBLY: VERTICAL CROSS SECTIONS

DATE: 02/16/12
SCALE: N.T.S.
CHK. BY: JK
DWG. BY: LFS
DRAWING NO.: FL-15213.17
SHEET: 4 OF 8

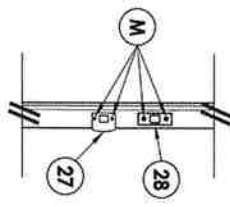
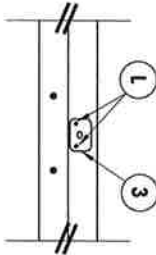


BUCK ANCHORING

HINGE JAMB

FRAME ANCHORING
Masonry 2x buck construction

ASTRAGAL STRIKE JAMB



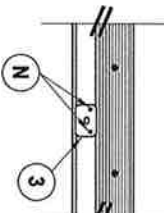
CONCRETE ANCHOR NOTES:

- Concrete anchor locations at the corners may be adjusted to maintain the min. edge distance to mortar joints.
- Concrete anchor locations noted as "MAX. ON CENTER" must be adjusted to maintain the min. edge distance to mortar joints; additional concrete anchors may be required to ensure the "MAX. ON CENTER" dimension are not exceeded.
- Concrete anchor table:

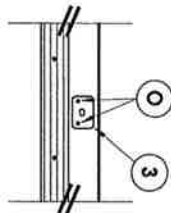
ANCHOR TYPE	ANCHOR SIZE	MIN. EMBEDMENT	MIN. CLEARANCE TO MASONRY EDGE	MIN. CLEARANCE TO ADJACENT ANCHOR
ITW TAFCON®	1/4"	1-1/4"	2"	4"
DeWALT ULTRACON®	1/4"	1-1/4"	1"	4"
ITW TAFCON®	3/16"	1-1/4"	3"	1-1/2"

WOOD SCREW INSTALLATION NOTES:
1. Maintain a minimum 5/8" edge distance, 1" end distance, & 1" o.c. spacing of wood screws to prevent the splitting of wood.

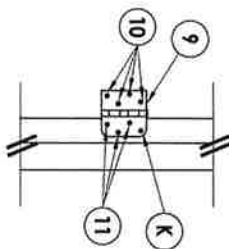
DETAIL 1
Inswing configuration



DETAIL 1
Outswing configuration

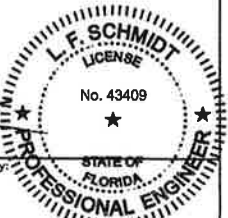


HINGE DETAIL



August 5, 2020

Documents Prepared By:
Lyndon F. Schmidt
P.E. No. 43409

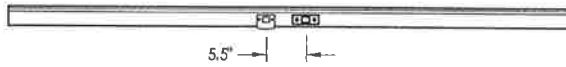
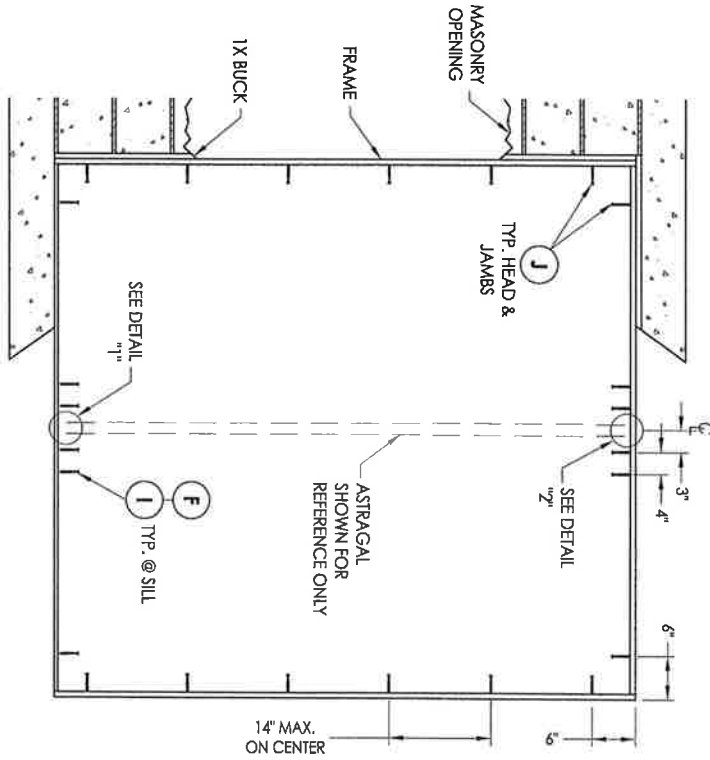
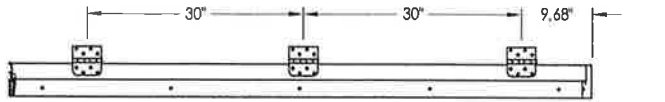


BUILDING CONSULTANTS, INC.
P.O. Box 230, Valrico, FL 33595
Phone No.: 813.659.9197
FBPE Registry No. 9813

PRODUCT:
PLASTPRO INC.
FIBERGLASS DOOR
PART OR ASSEMBLY:
BUCK & FRAME ANCHORING 2X BUCK MASONRY CONSTRUCTION

NO.	DATE	REVISIONS	BY
3	7/27/20	UPDATE TO 7TH ED. (2020) FBC	LFS
2	10/19/17	UPDATE TO 6TH ED. (2017) FBC	LFS
1	04/22/15	UPDATE TO 5TH ED. (2014) FBC	JK

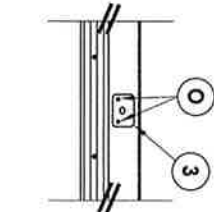
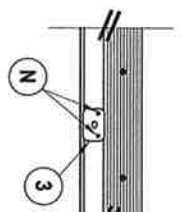
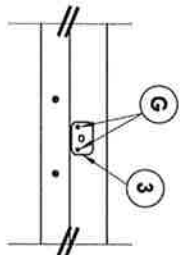
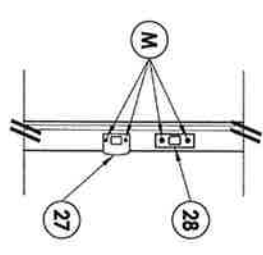
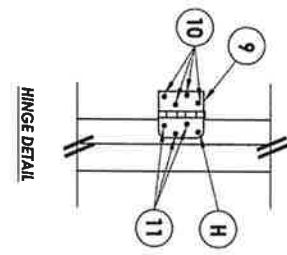
DATE 02/16/12
SCALE N.T.S.
DWG. BY: JK
CHK. BY: LFS
DRAWING NO.: FL-15213.17
SHEET 5 OF 8



HINGE JAMB

FRAME ANCHORING
Masonry 1x buck construction

ASTRAGAL STRIKE JAMB



CONCRETE ANCHOR NOTES:
1. Concrete anchor locations at the corners may be adjusted to maintain the min. edge distance to mortar joints.
2. Concrete anchor locations noted as "MAX. ON CENTER" must be adjusted to maintain the min. edge distance to mortar joints; additional concrete anchors may be required to ensure the "MAX. ON CENTER" dimension are not exceeded.
3. Concrete anchor table:

ANCHOR TYPE	ANCHOR SIZE	MIN. EMBEDMENT	MIN. CLEARANCE TO MASONRY EDGE	MIN. CLEARANCE TO ADJACENT ANCHOR
TW [®]	1/4"	1-1/4"	2"	4"
TAPCON [®]	1/4"	1-1/4"	1"	4"
DEWALT [®]	1/4"	1-1/4"	1"	4"
ULTRACON [®]	1/4"	1-1/4"	1"	4"
TW [®]	3/16"	1-1/4"	3"	1-1/2"
TAPCON [®]	3/16"	1-1/4"	3"	1-1/2"

WOOD SCREW INSTALLATION NOTES:
1. Maintain a minimum 5/8" edge distance, 1" end distance, & 1" o.c. spacing of wood screws to prevent the splitting of wood.



August 5, 2020

Documents Prepared By:
Lyndon F. Schmidt
P.E. No. 43409

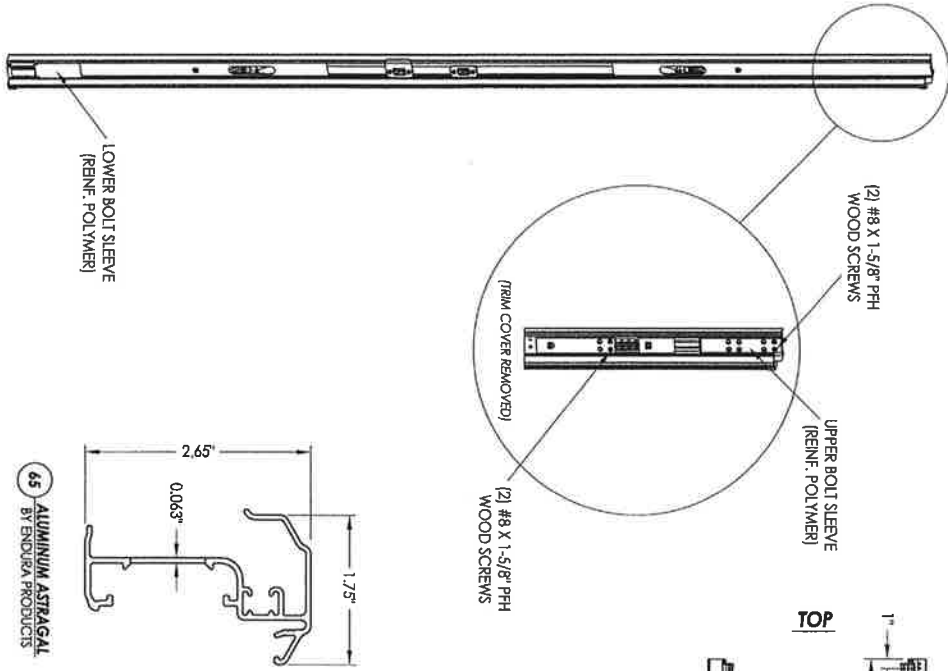
RW BUILDING CONSULTANTS, INC.
P.O. Box 230, Valrico, FL 33595
Phone No.: 813.659.9197
FBPE Registry No. 9813

PRODUCT: PLASTPRO INC. FIBERGLASS DOOR
PART OR ASSEMBLY: FRAME ANCHORING 1X BUCK MASONRY CONSTRUCTION

NO.	DATE	REVISIONS	BY
3	7/27/20	UPDATE TO 7TH ED. (2020) FBC	LFS
2	10/19/17	UPDATE TO 6TH ED. (2017) FBC	LFS
1	04/22/15	UPDATE TO 5TH ED. (2014) FBC	JK

DATE: 02/16/12
SCALE: N.T.S.
DWG. BY: JJK
CHK. BY: LFS
DRAWING NO.: FL-15213.17
SHEET 6 OF 8

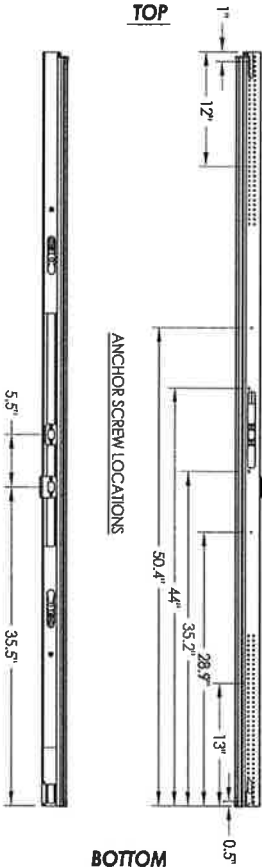
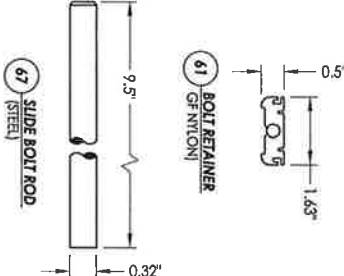
ULTIMATE HURRICANE ASTRAGAL



65 ALUMINUM ASTRAGAL
BY ENDURA PRODUCTS



ALUMINUM ASTRAGAL ASSEMBLY



BOTTOM

August 5, 2020

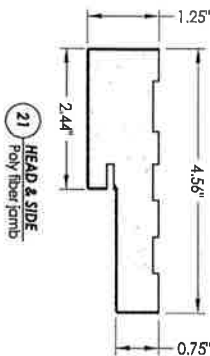
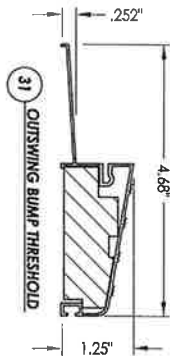
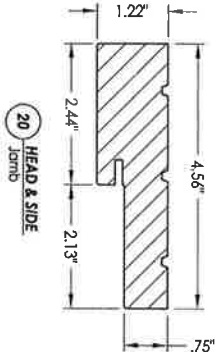
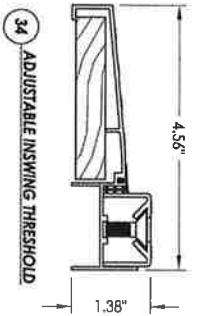
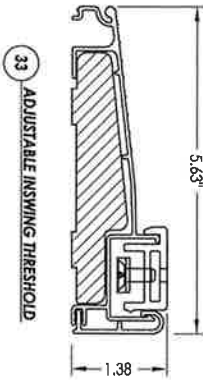
Documents Prepared By: Lyndon F. Schmidt
P.E. No. 43409

STATE OF FLORIDA
L. F. SCHMIDT
LICENSE
No. 43409
PROFESSIONAL ENGINEER

RW BUILDING CONSULTANTS, INC.
P.O. Box 230, Valrico, FL 33595
Phone No.: 813.658.9187
FBPE Registry No. 9813

NO.	DATE	REVISIONS	CHK. BY:	APP. BY:
3	7/27/20	UPDATE TO 7TH ED. (2020) FBC	LFS	
2	10/19/17	UPDATE TO 6TH ED. (2017) FBC	LFS	
1	04/22/15	UPDATE TO 5TH ED. (2014) FBC	JK	

ITEM	DESCRIPTION	MATERIAL	ITEM	DESCRIPTION	MATERIAL
A	1X BLACK SG >= 0.55	WOOD	20	FINGER JOINED PINE FRAME, HEAD & HINGE JAMBS	WOOD
B	2X BLACK SG >= 0.55	WOOD	21	POLYMER JAMB	COMP. / VINYL
C	1/4" MAX. SHIM SPACE	-	27	LATCH STRIKE PLATE	STEEL
D	1/4" X 2-3/4" PPH DEWALT OR ITW CONCRETE SCREW	STEEL	28	DEADBOLT STRIKE PLATE	STEEL
E	MASONRY - 3,000 PSI MIN. CONCRETE CONFORMING TO ACI 301 OR HOLLOW BLOCK CONFORMING TO ASTM C90	CONCRETE	30	WEATHER-STOP 3647 HOLM INDUSTRIES	VINYL
F	1/4" X 2-3/4" PPH ITW CONCRETE SCREW	STEEL	31	OUTSWING BUMPS THRESHOLD	ALUM./ WOOD
G	3/16" X 3-1/4" PPH ITW CONCRETE SCREW	STEEL	32	VINYL DOOR BOTTOM SWEEP #3628 BY HOLM IND.	PVC
H	1/4" X 3-1/4" PPH ITW CONCRETE SCREW	STEEL	33	INSWING ADJUSTABLE THRESHOLD BY ENDURA	ALUM. / WOOD
I	1/4" X 2-1/4" PPH ITW CONCRETE SCREW	STEEL	34	INSWING ADJUSTABLE ALUMINUM THRESHOLD BY DIP	ALUM. / WOOD
J	1/4" X 3-3/4" PPH ITW CONCRETE SCREW	STEEL	40	DOOR PANEL - SEE DOOR PANEL DETAIL SHEET FOR CONSTRUCTION DETAILS	-
K	#9X 2-1/2" PPH WOOD SCREW	STEEL	41	DOOR SKIN (MIN. 0.075" THICK)	FIBERGLASS
L	#10 X 2-1/2" PPH WOOD SCREW (1.15" MIN. EMBEDMENT)	STEEL	42	TOP RAIL	CELLULAR PVC
M	#9 X 2-1/4" PPH WOOD SCREW	STEEL	43	LATCH & HINGE STILE	CELLULAR PVC
N	3/16" X 3-1/2" PPH ITW CONCRETE SCREW	STEEL	44	LOCK REINFORCEMENT	WOOD
O	3/16" X 1-1/2" PPH ITW CONCRETE SCREW	STEEL	45	BOTTOM RAIL	CELLULAR PVC
1	#10 X 2-1/2" PPH SMS	STEEL	46	POLYURETHANE FOAM BY NAN YA	POLYURETHANE
2	#8 X 3" PPH SMS	STEEL	47	CONTINUOUS LATCH & HINGE STILE REINFORCEMENT	WOOD
3	FLUSH BOLT STRIKE PLATE	STEEL	49	GLAZING COMPOUND DOW 995	SILICONE
7	Q-LON 650 WEATHER STRIP SCHLEGEL	FOAM	55	LIP LITE OD./WESTERN REFLECTIONS HP	POLYPROPYLENE
8	COMPRESSION WEATHER STRIP Q-LON 650 BY SCHLEGEL	FOAM	56	ALUM. GLAZING SPACER	ALUM.
9	4" X 4" BUTT HINGE	STEEL	57	#8 X 1-1/2" PPH LITE FRAME SCREW	STEEL
10	#9 X 1" PPH WOOD SCREW	STEEL	61	BOLT RETAINER	NYLON
11	#9 X 3/4" PPH WOOD SCREW	STEEL	65	ASTRAGAL BY ENDURA PRODUCTS	ALUMINUM
17	KWIKSET KEVED ENTRY - SIGNATURE SERIES	STEEL	67	SLIDE BOLT ROD	STEEL
18	KWIKSET DEADBOLT - SIGNATURE SERIES (780)	STEEL			



August 5, 2020
 Documents Prepared By:
 Lyndon F. Schmidt
 P.E. No. 43409

BUILDING CONSULTANTS, INC.
 P.O. Box 230, Valrico, FL 33595
 Phone No.: 813.659.9197
 FBPE Registry No. 9813

PRODUCT:		PLASTPRO INC. FIBERGLASS DOOR	
PART OR ASSEMBLY:		BILL OF MATERIALS, GLAZING DETAIL & COMPONENTS	
NO.	DATE	REVISIONS	BY
3	7/27/20	UPDATE TO 7TH ED. (2020) FBC	LFS
2	10/19/17	UPDATE TO 6TH ED. (2017) FBC	LFS
1	04/22/15	UPDATE TO 5TH ED. (2014) FBC	JK
DATE 02/16/12		SCALE N.T.S.	
DWG. BR: JK		CHK. BR: LFS	
DRAWING NO: FL-15213.17		SHEET 8 OF 8	



Product Approval
USER: Public User

[Product Approval Menu](#) > [Product or Application Search](#) > [Application List](#) > **Application Detail**

OFFICE OF THE
SECRETARY

FL #	FL17235-R6
Application Type	Revision
Code Version	2020
Application Status	Approved
Comments	Archived
Product Manufacturer	Custom Window Systems Inc.
Address/Phone/Email	1900 SW 44th Avenue Ocala, FL 34474 (352) 368-6922 Ext 291 jlathrop@cws.cc
Authorized Signature	Jay Lathrop jlathrop@cws.cc
Technical Representative	Jay Lathrop
Address/Phone/Email	1900 SW 44th Ave Ocala, FL 34474 (352) 368-6922 Ext 291 jlathrop@cws.cc
Quality Assurance Representative	Jay Lathrop
Address/Phone/Email	1900 SW 44th Ave. Ocala, FL 34474 (352) 368-6922 Ext 291 jlathrop@cws.cc
Category	Windows
Subcategory	Double Hung
Compliance Method	Evaluation Report from a Florida Registered Architect or a Licensed Florida Professional Engineer <input type="checkbox"/> Evaluation Report - Hardcopy Received
Florida Engineer or Architect Name who developed the Evaluation Report	Lucas A. Turner
Florida License	PE-58201
Quality Assurance Entity	Keystone Certifications, Inc.
Quality Assurance Contract Expiration Date	07/21/2028
Validated By	Steven M. Urich, PE <input type="checkbox"/> Validation Checklist - Hardcopy Received
Certificate of Independence	FL17235_R6_COI_EvalReport936C.pdf
Referenced Standard and Year (of Standard)	Standard AAMA/WDMA/CSA/101/I.S.2/A440
	Year 2008
Equivalence of Product Standards Certified By	
Sections from the Code	

Product Approval Method

Method 1 Option D

Date Submitted

07/31/2020

Date Validated

08/02/2020

Date Pending FBC Approval

08/10/2020

Date Approved

10/13/2020

Summary of Products

FL #	Model, Number or Name	Description
17235.1	DH-650 Vinyl Double Hung	DH-650 Vinyl Double Hung, Non-Impact, 53 1/8" x 76"
Limits of Use Approved for use in HVHZ: No Approved for use outside HVHZ: Yes Impact Resistant: No Design Pressure: +50/-50 Other: DH-650 Equal Split or Oriel, Max size 53 1/8" x 76", Fin, Flange, DP +50/-50 PSF. Glass complies with ASTM E 1300.		Installation Instructions FL17235 R6 II CWS-936C.pdf Verified By: Lucas A. Turner PE-58201 Created by Independent Third Party: Yes Evaluation Reports FL17235 R6 AE EvalReport936C.pdf Created by Independent Third Party: Yes

[Back](#)

[Next](#)

Contact Us :: [2601 Blair Stone Road, Tallahassee FL 32399](#) Phone: 850-487-1824

The State of Florida is an AA/EEO employer. [Copyright 2007-2013 State of Florida](#). :: [Privacy Statement](#) :: [Accessibility Statement](#) :: [Refund Statement](#)

Under Florida law, email addresses are public records. If you do not want your e-mail address released in response to a public-records request, do not send electronic mail to this entity. Instead, contact the office by phone or by traditional mail. If you have any questions, please contact 850.487.1395. *Pursuant to Section 455.275(1), Florida Statutes, effective October 1, 2012, licensees licensed under Chapter 455, F.S. must provide the Department with an email address if they have one. The emails provided may be used for official communication with the licensee. However email addresses are public record. If you do not wish to supply a personal address, please provide the Department with an email address which can be made available to the public. To determine if you are a licensee under Chapter 455, F.S., please click [here](#).

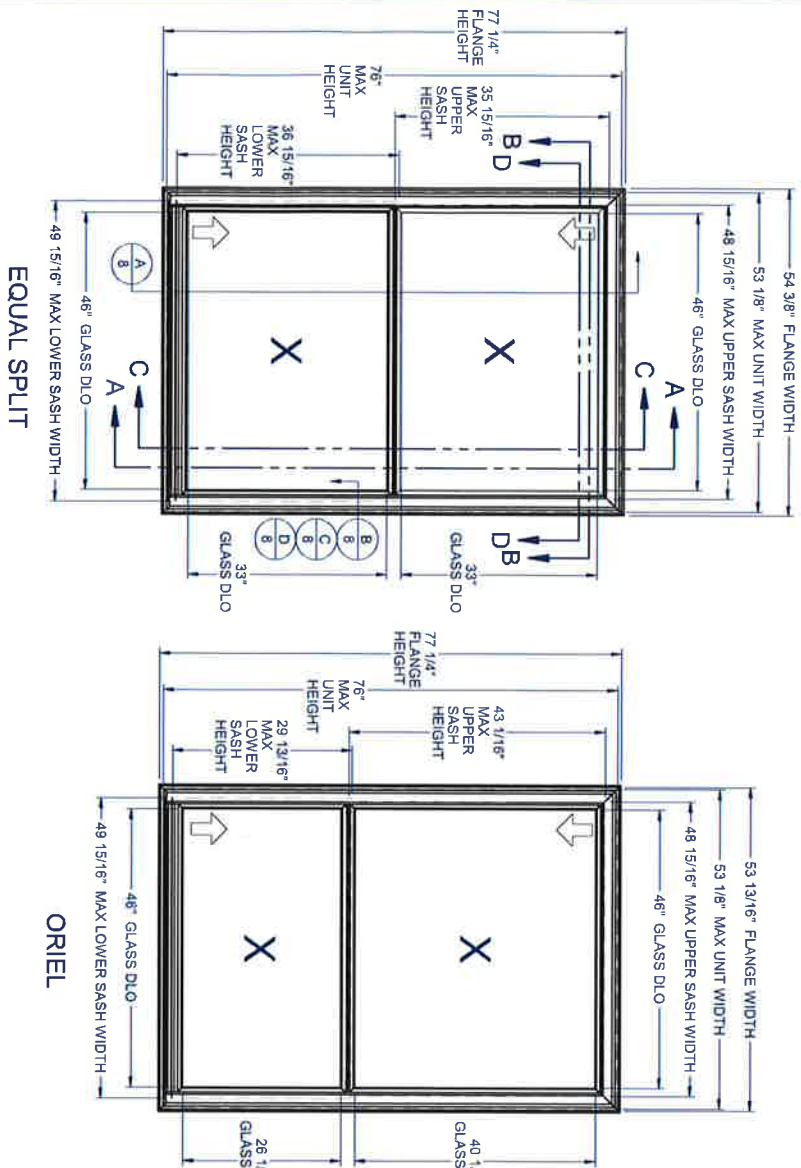


Credit Card
Safe

SECURITYMETRICS

DOUBLE HUNG - NON-IMPACT

(SHOWN W/DIFFERENT OPTIONS)



GENERAL NOTES:

1. THE PRODUCT SHOWN HEREIN IS DESIGNED AND MANUFACTURED TO COMPLY WITH THE FLORIDA BUILDING CODE (FBC), CURRENT EDITION.
2. GLAZING OPTIONS: (SEE SHEET 3)
3. CONFIGURATIONS: "X,X".
4. DESIGN PRESSURE RATING (SEE SHEET 2):
-NEGATIVE DESIGN LOADS BASED ON TESTED PRESSURE AND GLASS TABLES ASTM E-1300-04e01/09.
-POSITIVE DESIGN LOADS BASED ON TESTED PRESSURE WATER INFILTRATION TEST PRESSURE AND GLASS TABLES ASTM E-1300-04e01/09.
5. ANCHORAGE: THE 33 1/3% STRESS INCREASE HAS NOT BEEN USED IN THE DESIGN OF THIS PRODUCT. SEE SHEET 8 FOR ANCHOR DETAILS. WINDLOAD DURATION FACTOR CD=1.6 WAS USED FOR WOOD ANCHOR CALCULATIONS.
6. NOT APPROVED FOR IMPACT RESISTANCE. IMPACT PROTECTIVE SYSTEM IS REQUIRED IN WIND BORNE DEBRIS REGION.
7. ALL FRAMES AND VENTS FULLY WELDED. SMALL JOINT SEAM SEALANT USED AT FIXED MEETING RAIL AND JAMB.
8. SERIES / MODEL DESIGNATION DH-650.
9. THE DESIGNATION X AND O STAND FOR THE FOLLOWING:
X = OPERABLE SASH
10. SECTION CALLOUTS APPLY TO ALL ELEVATIONS IN A SIMILAR LOCATION.
11. EXTERNAL WEEP SLOT = 1/2" x 2'-1/2" LOCATED 5" FROM BOTH ENDS.

Lucas Turner
2020.07.27
11:26:57
-05'00"

7/23/2020



LUCAS A. TURNER, P.E.
FL PE # 58201
2428 Old Natchez Trc, Trl
Camden, TN 38320
PH: 941-380-1574

SHEET DESCRIPTION:

GENERAL NOTES AND ELEVATIONS

TABLE OF CONTENTS

GENERAL NOTES & ELEVATIONS.....	1
DP CHARTS.....	2
GLAZING DETAILS.....	3
SECTION VIEWS & ALT FRAME.....	4-5
EXTRUSIONS & B.O.M.....	6
ANCHOR SCHEDULE & NOTES.....	7
INSTALLATION DETAILS.....	8

CONFIG.	MAX. UNIT SIZE	MEETING RAIL REINFORCEMENT	DESIGN PRESSURE RATING	IMPACT RATING
EQUAL	37" x 76"	LIGHT	SEE COMPARATIVE ANALYSIS CHART, SHEET 2	NONE
EQUAL	53-1/8" x 76"	HEAVY		

PROPRIETARY AND CONFIDENTIAL

THE INFORMATION CONTAINED IN THIS DRAWING IS THE SOLE PROPERTY OF CUSTOM WINDOW SYSTEMS, INC. ANY REPRODUCTION IN PART OR AS A WHOLE WITHOUT THE WRITTEN PERMISSION OF CUSTOM WINDOW SYSTEMS, INC IS PROHIBITED.

650 PVC
DOUBLE HUNG
NON-IMPACT



DRAWN BY:	DATE:
ADE	08/04/14
DWG #:	REV:
CWS-936	C
SCALE:	SHEET
1:20	1 OF 8

**650 PVC
 DOUBLE HUNG
 NON-IMPACT**

PROPRIETARY AND CONFIDENTIAL
 THE INFORMATION CONTAINED IN THIS DRAWING IS THE SOLE PROPERTY OF CUSTOM WINDOW SYSTEMS, INC. ANY REPRODUCTION IN PART OR AS A WHOLE WITHOUT THE WRITTEN PERMISSION OF CUSTOM WINDOW SYSTEMS, INC IS PROHIBITED.

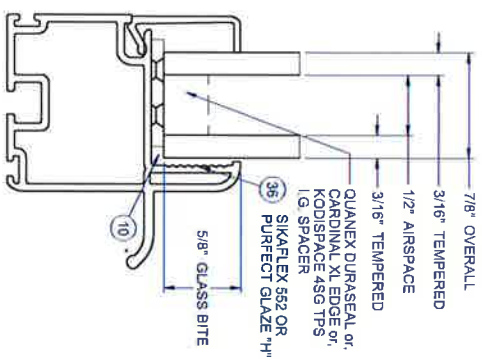


7/23/2020

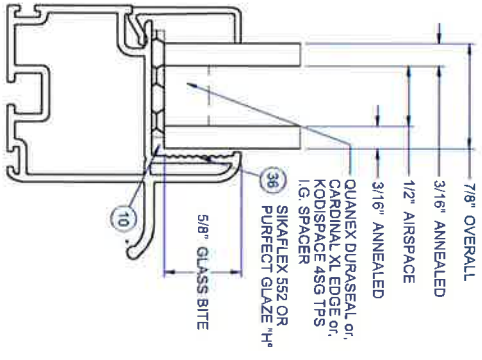
LUCAS A. TURNER, P.E.
 FL PE # 58201
 2428 Old Natchez Trc Trl
 Camden, TN 38320
 PH. 941-380-1574

GLAZING DETAILS

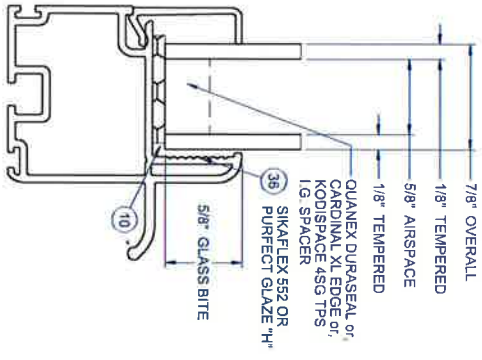
DRAWN BY:	DATE:
ADE	08/04/14
DWG #:	REV.:
CWS-936	C
SCALE:	SHEET
1:1	3 OF 8



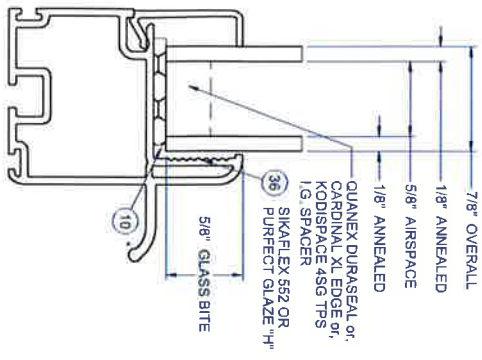
GLASS TYPE D



GLASS TYPE C

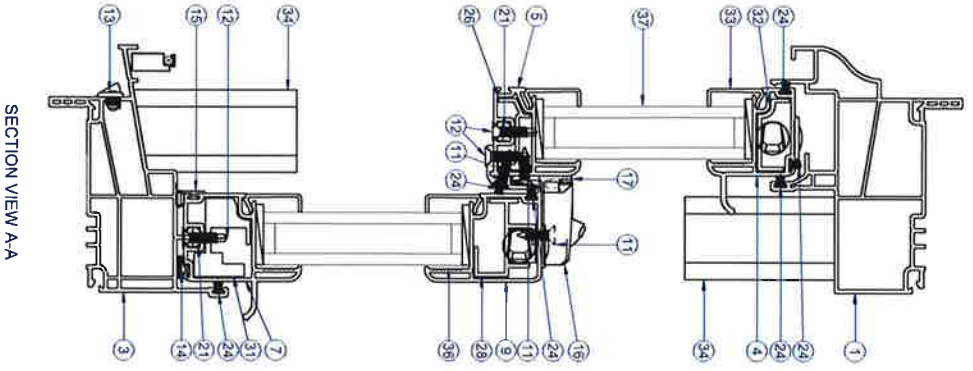


GLASS TYPE B

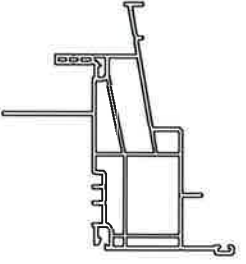


GLASS TYPE A

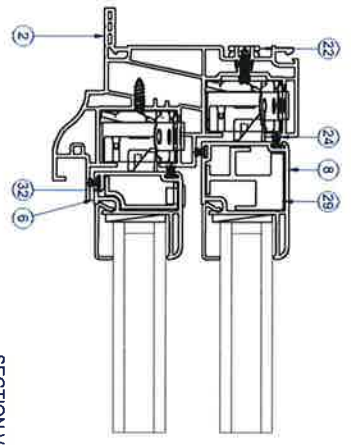
SETTING BLOCKS PER FBC 2411.3.3.1



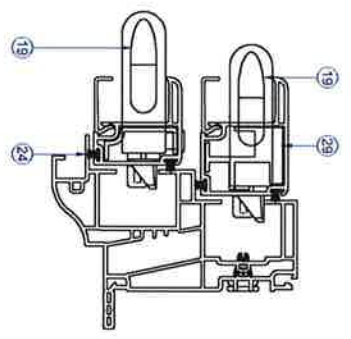
SECTION VIEW AAA



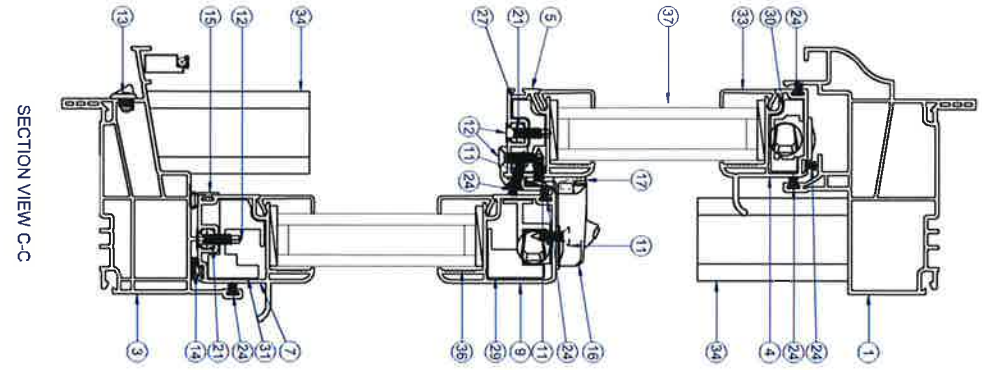
ALTERNATE FIN FRAME



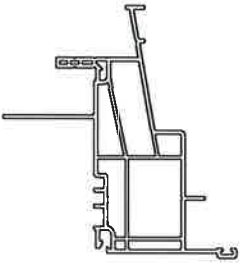
SECTION VIEW B-B



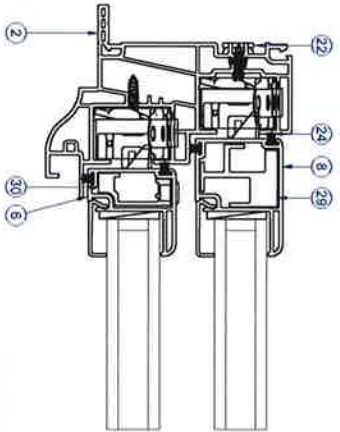
		<p>PROPRIETARY AND CONFIDENTIAL</p> <p>THE INFORMATION CONTAINED IN THIS DRAWING IS THE SOLE PROPERTY OF CUSTOM WINDOW SYSTEMS, INC. ANY REPRODUCTION IN PART OR AS A WHOLE WITHOUT THE WRITTEN PERMISSION OF CUSTOM WINDOW SYSTEMS, INC IS PROHIBITED.</p>		<p>650 PVC DOUBLE HUNG NON-IMPACT</p>		<p>Custom WINDOW SYSTEMS</p> <p>1900 SW 44TH AVE. OCALA, FLORIDA 34474 WWW.CWS.CO</p>	
<p>LUCAS A. TURNER, P.E. FL PE # 58201 2428 Old Natchez Trc Trl Camden, TN 38320 PH. 941-380-1574</p>		<p>7/23/2020</p>		<p>7/23/2020</p>		<p>7/23/2020</p>	
<p>SHEET DESCRIPTION: SECTION VIEWS UP TO 37" WIDE</p>		<p>DRAWN BY: ADE</p>		<p>DATE: 08/04/14</p>		<p>DWG #: CWS-936</p>	
<p>SCALE: 1:2</p>		<p>REV.: C</p>		<p>SHEET 4 OF 8</p>		<p>SHEET 4 OF 8</p>	



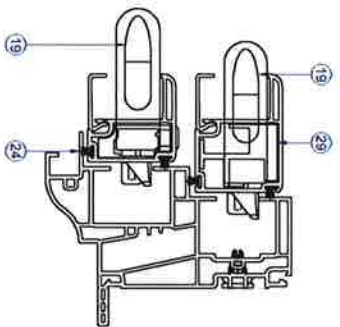
SECTION VIEW C-C



ALTERNATE FIN FRAME



SECTION VIEW D-D



Custom Window Systems
 1900 SW 44TH AVE.
 Ocala, Florida 34474
 WWW.CWS.CO

**650 PVC
 DOUBLE HUNG
 NON-IMPACT**

PROPRIETARY AND CONFIDENTIAL

THE INFORMATION CONTAINED IN THIS DRAWING IS THE SOLE PROPERTY OF CUSTOM WINDOW SYSTEMS, INC. ANY REPRODUCTION IN PART OR AS A WHOLE WITHOUT THE WRITTEN PERMISSION OF CUSTOM WINDOW SYSTEMS, INC IS PROHIBITED.



7/23/2020

LUCAS A. TURNER, P.E.
 FL PE # 58201
 2428 Old Natchez Trc Trl
 Camden, TN, 38320
 PH. 941-380-1574

SHEET DESCRIPTION:

SECTION VIEWS
 OVER 37" WIDE

DRAWN BY: DATE:

ADE 08/04/14

DWG #: REV.:

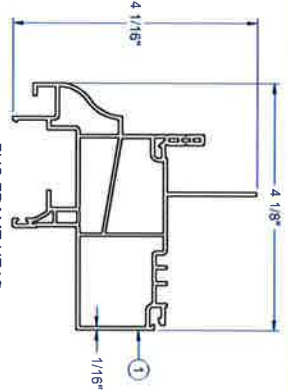
CWS-936 C

SCALE: SHEET

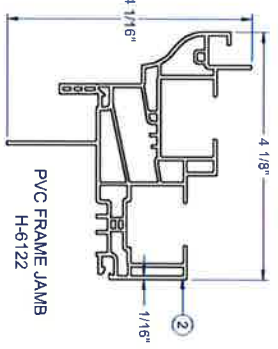
1:2 5 OF 8

ITEM	PART #	DESCRIPTION	MATERIAL
1	H-6121	HEAD, OUTERFRAME	PVC
2	H-6122	JAMBS, OUTERFRAME	PVC
3	H-6123	SILL, OUTERFRAME	PVC
4	H-6130	TOP RAIL, UPPER SASH	PVC
5	H-6131	BOTTOM RAIL, UPPER SASH	PVC
6	H-6132	SASH SIDE RAIL, UPPER SASH	PVC
7	H-6133	BOTTOM RAIL, LOWER SASH	PVC
8	H-6134	SASH SIDE RAIL, LOWER SASH	PVC
9	H-6135	TOP RAIL, LOWER SASH	PVC
10	P-5615	SETTING BLOCK	RUBBER
11	P-5615	#8 X 9/8 PHIL FLAT WHITE SMS	STEEL
12	P-4146	#8 X 3/4 PHIL FLAT TEK	STEEL
13	P-4179	WEEP COVER	NYLON
14	P-5085	WSTP, 365 X3338ULB VINYL	
15	P-5086	WSTP, 300 X1878ULB VINYL	
16	P-3783	LOCKS	
17	P-3784	KEEPERS	
19	P-5392	SASH TILT LATCH	NYLON
20	P-5393	PIVOT CARRIER	NYLON
21	P-5396	PIVOT BAR	SS
22	P-5412	JAMB JACK	STEEL
24	P-3305	WSTP, 270 X187	
25	S-2001	INTERLOCK RAIL	ALUM
26	S-2002	REIN. BOT. RAIL, UPPER SASH, UP TO 37"	ALUM
27	S-2003	REIN. BOT. RAIL, UPPER SASH	ALUM
28	S-2004	REIN. TOP RAIL, UPPER SASH, UP TO 37"	ALUM
29	S-2005	REIN. TOP RAIL, LOWER SASH, & SIDE RAIL LOWER SAS	ALUM
30	S-2006	REIN. SASH SIDE RAIL, UPPER SASH	ALUM
31	S-2007	REIN. BOTTOM RAIL, LOWER SASH	ALUM
32	S-2010	REIN. TOP RAIL, UPPER SASH, UP TO 37"	ALUM
33	S-6141	GLAZING BEAD	PVC
34	S-6142	SASH STOP	
35		BALANCERS - CONSTANT FORCE RT	
36		PURECT GLAZE H or SKAFLEX552	SILICONE
37		GLASS, SEE SHEET 2	
38	P-5425	WSTP, 200 X5/8" X5/8" DUST PLUGS	
39	P-3218	SCREEN FRAME	ALUM
40	P-4754	SCREEN CORNER KEY	ALUM
41	P-3228	SCREEN SPLINE	NYLON
42	P-3029	SCREEN LIFTS	
43	P-3033	SCREEN SPRINGS	

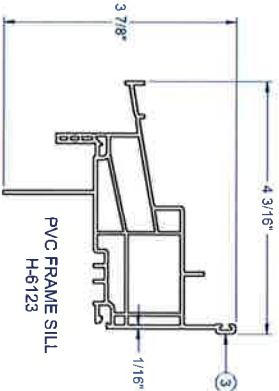
PARTS LIST



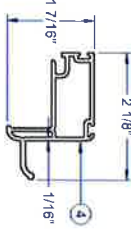
PVC FRAME HEAD
H-6121



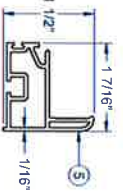
PVC FRAME JAMB
H-6122



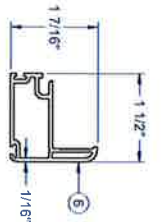
PVC FRAME SILL
H-6123



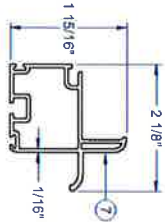
PVC SASH TOP RAIL
H-6130



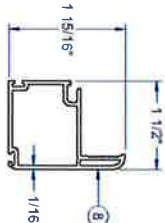
PVC BOT RAIL UPPER
H-6131



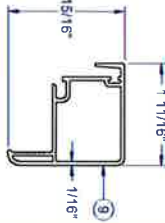
PVC SASH STILE UPPER
H-6132



PVC SASH LEFT RAIL
H-6133



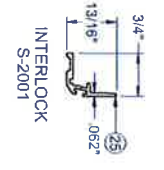
PVC SASH STILE LOWER
H-6121



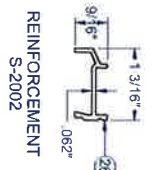
PVC SASH LOCK RAIL
H-6135



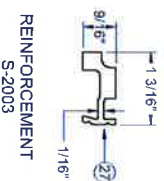
FRAME CORNER
CONSTRUCTION
CORNER WELD
(ALL SIDES)
1:8



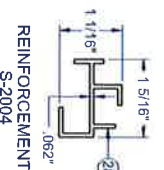
INTERLOCK
S-2001



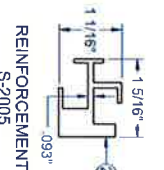
REINFORCEMENT
S-2002



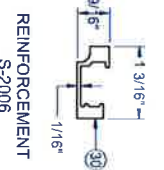
REINFORCEMENT
S-2003



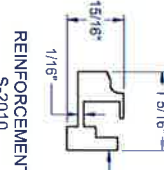
REINFORCEMENT
S-2004



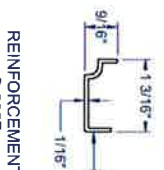
REINFORCEMENT
S-2005



REINFORCEMENT
S-2006



REINFORCEMENT
S-2010



REINFORCEMENT
S-2027

LINE ITEMS NOT USED:
23

NOTE: ALL ALUMINUM EXTRUSIONS ARE 6063-T6 UNLESS OTHERWISE NOTED.

Custom Window Systems
1900 SW 44TH AVE
OCALA, FLORIDA 34474
WWW.CWS.CC

**650 PVC
DOUBLE HUNG
NON-IMPACT**

PROPRIETARY AND CONFIDENTIAL
THE INFORMATION CONTAINED IN THIS DRAWING IS THE SOLE PROPERTY OF CUSTOM WINDOW SYSTEMS, INC. ANY REPRODUCTION IN PART OR AS A WHOLE WITHOUT THE WRITTEN PERMISSION OF CUSTOM WINDOW SYSTEMS, INC IS PROHIBITED.

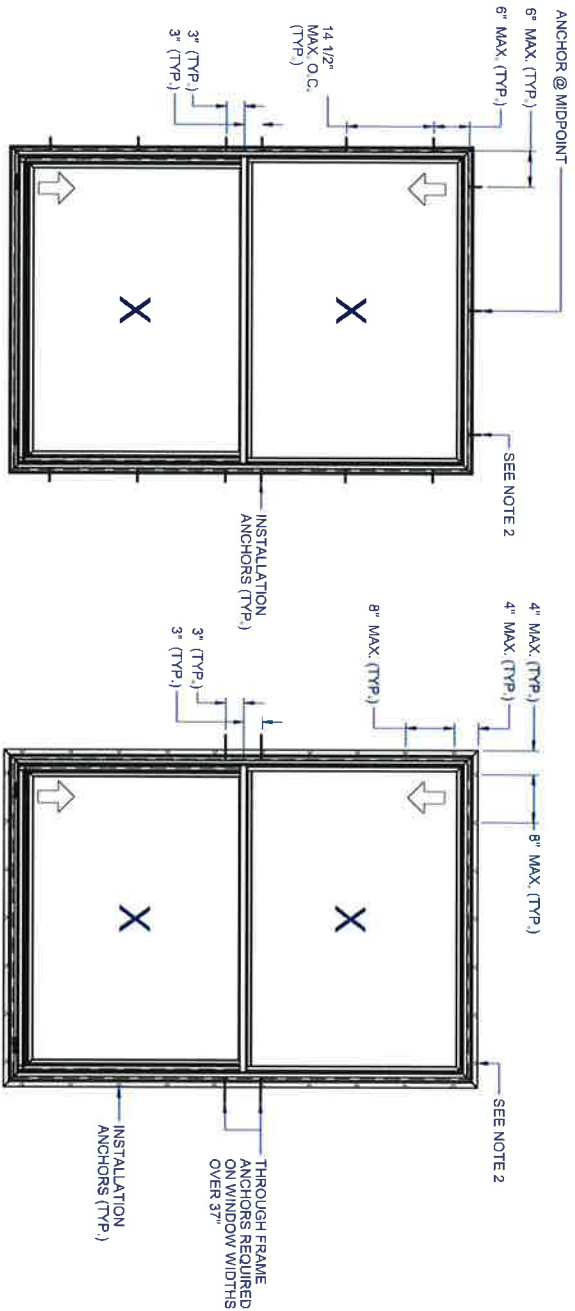


7/23/2020

LUCAS A. TURNER, P.E.
FL PE # 58201
2428 Old Natchez Trc TH
Camden, TN 38320
PH. 941-380-1574

BOM AND EXTRUSIONS

DRAWN BY:	DATE:
ADE	08/04/14
DWG #:	REV.:
CWS-936	C
SCALE:	SHEET
1:2	6 OF 8



ANCHOR LAYOUT - (FLANGE)
[NO SILL ANCHORS REQUIRED]

ANCHOR LAYOUT - (FIN)
NOTE THRU FRAME ANCHORS @ MTG RAIL

NOTES:

1. INSTALL ONE ANCHOR AT EACH INSTALLATION LOCATION. SILL ANCHOR SPACING SAME AS HEAD.
2. SHIM AS REQ. AT EACH INSTALLATION ANCHOR USING LOAD BEARING SHIMS. MAX. ALLOWABLE SHIM STACK TO BE 1/4". USE SHIMS WHERE SPACE GREATER THAN 1/16" IS PRESENT. LOAD BEARING SHIMS SHALL BE CONSTRUCTED OF HIGH DENSITY PLASTIC OR BETTER. WOOD SHIMS ARE NOT ALLOWED.
3. ANCHOR TYPE, SIZE, SPACING AND EMBEDMENT SHALL BE AS SPECIFIED IN THESE DRAWINGS, SEE TABLE 1, SHEET 8.
4. ALL INSTALLATION ANCHORS MUST BE MADE OF OR PROTECTED WITH A CORROSION RESISTANT MATERIAL OR COATING. DISSIMILAR METALS OR MATERIALS IN CONTACT WITH PRESSURE TREATED WOOD MUST BE PROTECTED TO PREVENT REACTION.
5. INSTALLATION ANCHORS SHALL BE IN ACCORDANCE WITH ANCHOR MANUFACTURERS INSTALLATION INSTRUCTIONS, AND ANCHORS SHALL NOT BE USED IN SUBSTRATES WITH STRENGTHS LESS THAN THE MINIMUM SPECIFIED IN TABLE 1, SHEET 8.
6. ANCHOR EMBEDMENT TO SUBSTRATE SHALL BE BEYOND WALL DRESSING OR STUCCO. FOR CONCRETE/CMU OPENINGS, EMBEDMENT SHALL BE BEYOND WOOD BUCKS, IF USED, INTO SUBSTRATE - 1X BUCKS ARE OPTIONAL.
7. A MINIMUM CENTER-TO-CENTER SPACING SHALL BE MAINTAINED BETWEEN ALL FASTENERS: 3" FOR MASONRY, 1" FOR WOOD AND METAL.
8. WOOD OR MASONRY OPENINGS, BUCKS AND BUCK FASTENERS SHALL BE PROPERLY DESIGNED BY THE ARCHITECT OR ENGINEER OF RECORD AND INSTALLED TO TRANSFER WIND LOADS TO THE STRUCTURE. SUBSTRATES SHALL MEET THE MINIMUM STRENGTH REQUIREMENTS AS SHOWN IN TABLE, SHEET 8. CONCRETE AND MASONRY SUBSTRATES MAY NOT BE CRACKED.
9. SEALING AND FLASHING STRATEGIES FOR OVERALL WATER RESISTANCE OF INSTALLATION SHALL BE DONE BY OTHERS FOLLOWING THE CURRENT VERSION OF THE REFERENCE DOCUMENTS:
FMA/AMA 100(FIN WINDOWS), FMA/AMA 200(FLANGE WINDOWS), FMA/AMA 250(BOX WINDOWS), FMA/AMW/DMA 300(EXTERIOR DOORS)

Custom
WINDOW SYSTEMS
1900 SW 44TH AVE.
OCALA, FLORIDA 34474
WWW.CWS.CC

**650 PVC
DOUBLE HUNG
NON-IMPACT**

PROPRIETARY AND CONFIDENTIAL
THE INFORMATION CONTAINED IN THIS DRAWING IS THE SOLE PROPERTY OF CUSTOM WINDOW SYSTEMS, INC. ANY REPRODUCTION IN PART OR AS A WHOLE WITHOUT THE WRITTEN PERMISSION OF CUSTOM WINDOW SYSTEMS, INC IS PROHIBITED.

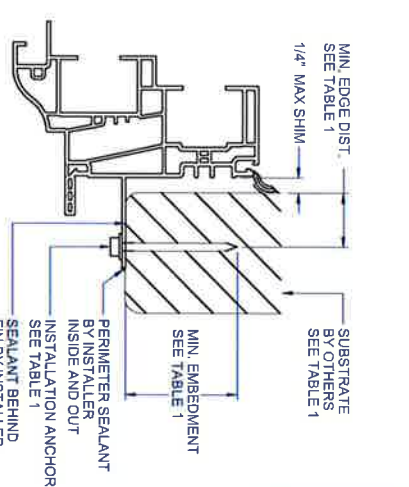
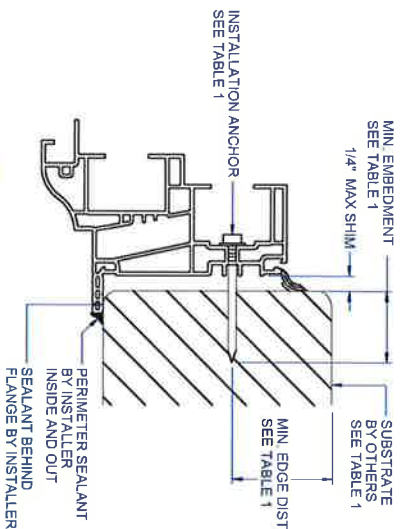
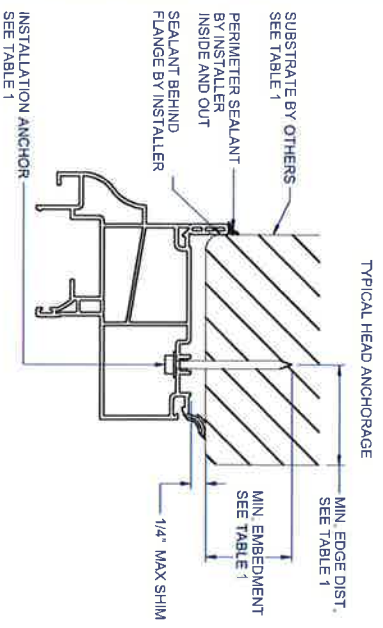


7/23/2020

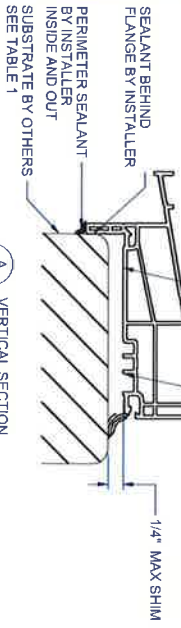
LUCAS A. TURNER, P.E.
FL PE # 58201
2428 Old Natchez Trc Trl
Camden, TN 38320
PH. 941-380-1574

SHEET DESCRIPTION:
ANCHOR SCHEDULE AND NOTES

DRAWN BY:	DATE:
ADE	08/04/14
DWG #:	REV.:
CWS-936	C
SCALE:	SHEET
1:20	7 OF 8



CONTINUOUS DBL. 1/4" BEAD OF SEALANT AROUND PERIMETER @ ALL INDICATED POINTS BETWEEN FRAME AND SUBSTRATE BY INSTALLER



A TYPICAL SILL ANCHORAGE
NO SILL ANCHORS REQUIRED

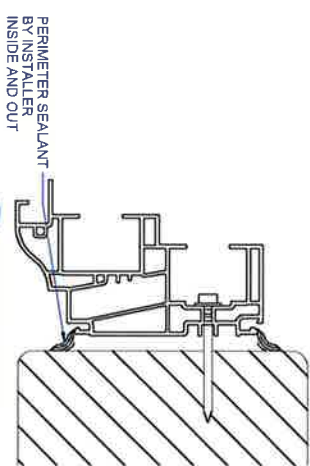
B TYPICAL JAMB ANCHORAGE

C HORIZONTAL SECTION
HEAD AND SILL SIMILAR FOR FIN INSTALLATION

NOTE: ADDITIONAL THRU-FRAME ANCHORS (AS SHOWN IN DET. B/7) REQ'D AT M/G RAIL FOR UNIT WIDTHS OVER 37". SEE SHEET 7 ANCHOR LAYOUT

TABLE 1: APPROVED INSTALLATION FASTENERS

FRAME TYPE	SUBSTRATE TYPE	ANCHOR TYPE	MIN. EMBEDMENT	MIN. EDGE DIST.
FLANGE	CONCRETE (2.0 KSI MIN.)	3/16" TW TAPCON	1"	1-1/8"
FLANGE	HOLLOW OR GROUT-FILLED CMU (117 PCF MIN.)	3/16" TW TAPCON	1"	2"
FLANGE	CONCRETE (2.85 KSI MIN.)	3/16" ELCO ULTRACON	1"	1"
FLANGE	GROUT-FILLED CMU (ASTM C-90)	3/16" ELCO ULTRACON	1-1/4"	2-1/2"
FLANGE	2X MIN. SOUTHERN PINE (G-0-55)	3/16" TW TAPCON OR ELOO ULTRACON	1-3/8"	7/8"
FLANGE	2X MIN. SOUTHERN PINE (G-0-55)	#10 WOOD SCREW	1-3/8"	7/8"
FLANGE	16 GAUGE (0.0607") MIN. STEEL STUD (33 KSI YIELD MIN.)	#10-16 HILTI KWIK-FLEX OR TW TEKS SELF-DRILLING SCREW	FULL THREAD THRU 0.060"	7/16"
FLANGE	1/8" ALUM. (6063-T5 MIN.) OR 1/8" STEEL (33 KSI MIN.)	#10 GRADE 5 SELF-TAPPING / DRILLING SCREW	FULL THREAD THRU 0.125"	7/16"
FIN	2X MIN. SOUTHERN PINE (G-0-55)	#10 WOOD SCREW	1-1/2"	1/2"



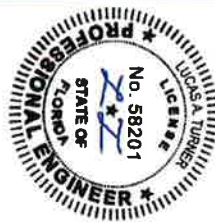
FLANGE REMOVAL NOTE: PARTIALLY OR FULLY REMOVING THE FLANGE UP TO AND INCLUDING A BOX-FRAME APPLICATION IS ACCEPTABLE PROVIDED:
 - MIN. 1/4" FILLET OF CONSTRUCTION-GRADE ADHESIVE CAULK IS APPLIED INSIDE AND OUT, FULL PERIMETER BY INSTALLER.
 - PRODUCT ANCHORAGE IS IN ACCORDANCE WITH REQUIREMENTS AS SHOWN FOR FLANGE WINDOWS.

Custom PVC WINDOW SYSTEMS
 1900 SW 44TH AVE
 OCALA, FLORIDA 34474
 WWW.CWS.CC

650 PVC DOUBLE HUNG NON-IMPACT

PROPRIETARY AND CONFIDENTIAL

THE INFORMATION CONTAINED IN THIS DRAWING IS THE SOLE PROPERTY OF CUSTOM WINDOW SYSTEMS, INC. ANY REPRODUCTION IN PART OR AS A WHOLE WITHOUT THE WRITTEN PERMISSION OF CUSTOM WINDOW SYSTEMS, INC IS PROHIBITED.



LUCAS A. TURNER, P.E.
 FL PE # 58201
 2428 Old Natchez Trc Tr4
 Camden, TN 38320
 PH. 941-380-1574

SHEET DESCRIPTION:
 INSTALLATION DETAILS

DRAWN BY: ADE DATE: 08/04/14
 DWG # CWS-936 REV: C
 SCALE: 1:2 SHEET 8 OF 8



[BCIS Home](#) |
 [Log In](#) |
 [User Registration](#) |
 [Hot Topics](#) |
 [Submit Surcharge](#) |
 [Stats & Facts](#) |
 [Publications](#) |
 [Contact Us](#) |
 [BCIS Site Map](#) |
 [Links](#) |
 [Search](#)



Product Approval
USER: Public User

[Product Approval Menu](#) >
 [Product or Application Search](#) >
 [Application List](#) >
 Application Detail



FL #	FL17234-R7				
Application Type	Revision				
Code Version	2020				
Application Status	Approved				
Comments					
Archived					
Product Manufacturer	Custom Window Systems Inc.				
Address/Phone/Email	1900 SW 44th Avenue Ocala, FL 34474 (352) 368-6922 Ext 291 jlathrop@cws.cc				
Authorized Signature	Jay Lathrop jlathrop@cws.cc				
Technical Representative	Jay Lathrop				
Address/Phone/Email	1900 SW 44th Ave Ocala, FL 34474 (352) 368-6922 Ext 291 jlathrop@cws.cc				
Quality Assurance Representative	Jay Lathrop				
Address/Phone/Email	1900 SW 44th Ave. Ocala, FL 34474 (352) 368-6922 Ext 291 jlathrop@cws.cc				
Category	Windows				
Subcategory	Single Hung				
Compliance Method	Evaluation Report from a Florida Registered Architect or a Licensed Florida Professional Engineer <input type="checkbox"/> Evaluation Report - Hardcopy Received				
Florida Engineer or Architect Name who developed the Evaluation Report	Lucas A. Turner				
Florida License	PE-58201				
Quality Assurance Entity	Keystone Certifications, Inc.				
Quality Assurance Contract Expiration Date	07/21/2028				
Validated By	Steven M. Urich, PE <input type="checkbox"/> Validation Checklist - Hardcopy Received				
Certificate of Independence	FL17234 R7 COI EvalReport935E.pdf				
Referenced Standard and Year (of Standard)	<table border="0"> <tr> <td>Standard</td> <td>Year</td> </tr> <tr> <td>AAMA/WDMA/CSA/101/I.S.2/A440-08</td> <td>2008</td> </tr> </table>	Standard	Year	AAMA/WDMA/CSA/101/I.S.2/A440-08	2008
Standard	Year				
AAMA/WDMA/CSA/101/I.S.2/A440-08	2008				
Equivalence of Product Standards Certified By					
Sections from the Code					
Product Approval Method	Method 1 Option D				
Date Submitted	07/31/2020				
Date Validated	08/02/2020				
Date Pending FBC Approval	08/10/2020				
Date Approved	10/13/2020				

Summary of Products

FL #	Model, Number or Name	Description

17234.1	SH-610 Vinyl Single Hung	SH-610 Vinyl Single Hung, Non-Impact, 53 1/8" x 76"
Limits of Use Approved for use in HVHZ: No Approved for use outside HVHZ: Yes Impact Resistant: No Design Pressure: +50/-50 Other: SH-610 Equal Split or Oriel, Max. size 53 1/8" x 76", Fin, Flange, DP +50/-50 PSF. Glass complies with ASTM E 1300.		Installation Instructions FL17234_R7_II_CWS-935E.pdf Verified By: Lucas A. Turner PE-58201 Created by Independent Third Party: Yes Evaluation Reports FL17234_R7_AE_EvalReport935E.pdf Created by Independent Third Party: Yes



Contact Us :: [2601 Blair Stone Road, Tallahassee FL 32399](#) Phone: 850-487-1824

The State of Florida is an AA/EEO employer. [Copyright 2007-2013 State of Florida](#). :: [Privacy Statement](#) :: [Accessibility Statement](#) :: [Refund Statement](#)

Under Florida law, email addresses are public records. If you do not want your e-mail address released in response to a public-records request, do not send electronic mail to this entity. Instead, contact the office by phone or by traditional mail. If you have any questions, please contact 850.487.1395. Pursuant to Section 455.275(1), Florida Statutes, effective October 1, 2012, licensees licensed under Chapter 455, F.S. must provide the Department with an email address if they have one. The emails provided may be used for official communication with the licensee. However email addresses are public record. If you do not wish to supply a personal address, please provide the Department with an email address which can be made available to the public. To determine if you are a licensee under Chapter 455, F.S., please [click here](#).



SINGLE HUNG - NON-IMPACT

(SHOWN W/DIFFERENT OPTIONS)

GENERAL NOTES:

1. THE PRODUCT SHOWN HEREIN IS DESIGNED AND MANUFACTURED TO COMPLY WITH THE FLORIDA BUILDING CODE (FBC), CURRENT EDITION.
2. GLAZING OPTIONS: (SEE SHEET 3)
3. CONFIGURATIONS: "O/X"

4. DESIGN PRESSURE RATING (SEE SHEET 2):
-NEGATIVE DESIGN LOADS BASED ON, TESTED PRESSURE AND GLASS TABLES ASTM E-1300-04e01/09.
-POSITIVE DESIGN LOADS BASED ON, TESTED PRESSURE, WATER INFILTRATION TEST PRESSURE AND GLASS TABLES ASTM E-1300-04e01/09.

5. ANCHORAGE: THE 93.13% STRESS INCREASE HAS NOT BEEN USED IN THE DESIGN OF THIS PRODUCT. SEE SHEET 7 FOR ANCHOR DETAILS. WINDLOAD DURATION FACTOR Cd=1.6 WAS USED FOR WOOD ANCHOR CALCULATIONS.

6. NOT APPROVED FOR IMPACT RESISTANCE. IMPACT PROTECTIVE SYSTEM IS REQUIRED IN WIND BORNE DEBRIS REGION.

7. ALL FRAMES AND VENTS FULLY WELDED. SMALL JOINT SEAM SEALANT USED AT FIXED MEETING RAIL AND JAMB.

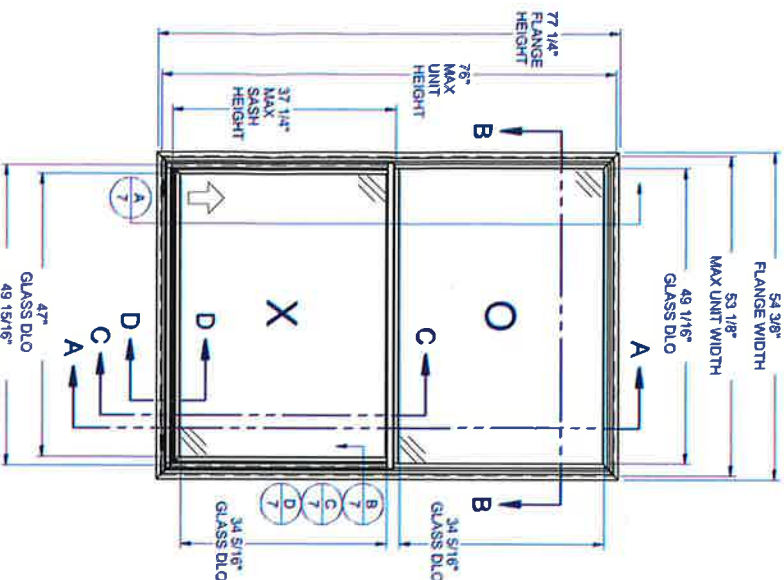
8. SERIES / MODEL DESIGNATION SH-610.

9. THE DESIGNATION X AND O STAND FOR THE FOLLOWING:
X = OPERABLE SASH, O = FIXED SASH

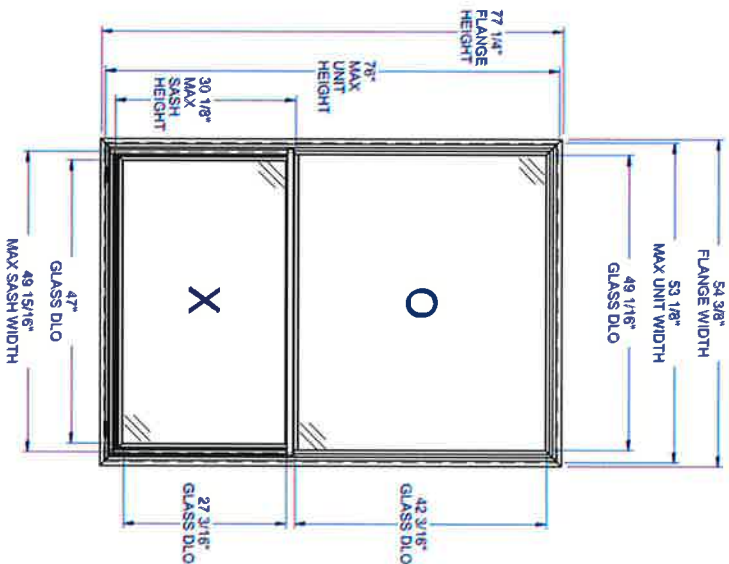
10. SECTION CALLOUTS APPLY TO ALL ELEVATIONS IN A SIMILAR LOCATION.

11. EXTERNAL WEEP SLOT = 1/4" x 1-1/2" LOCATED 5" FROM BOTH ENDS.

Lucas Turner
2020.07.27
11.27.14
-05'00"



EQUAL SPLIT



ORIEL

TABLE OF CONTENTS

GENERAL NOTES & ELEVATIONS.....	1
DP CHARTS.....	2
GLAZING DETAILS.....	3
SECTION VIEWS.....	4
EXTRUSIONS & B.O.M.....	5
ANCHOR SCHEDULE & NOTES.....	6
INSTALLATION DETAIL.....	7

CONFIG.	MAX. UNIT SIZE	EXTERNAL REINFORCEMENT	DESIGN PRESSURE RATING	IMPACT RATING
EQUAL	37" x 76"	NONE	SEE COMPARATIVE ANALYSIS CHART, SHEET 2	NONE
EQUAL	53-1/8" x 76"	* 2011	SEE COMPARATIVE ANALYSIS CHART, SHEET 2	NONE

* ONLY REQUIRED WITH H-6137 FIXED MEETING RAIL & SCREW-ON INTERLOCK, S-2001 - SEE SHEET 4 FOR DETAILS.

Custom Window Systems
1900 SW 44TH AVE.
OCALA, FLORIDA 34474
WWW.CWS.CC

610 PVC SINGLE HUNG NON-IMPACT

PROPRIETARY AND CONFIDENTIAL

THE INFORMATION CONTAINED IN THIS DRAWING IS THE SOLE PROPERTY OF CUSTOM WINDOW SYSTEMS, INC. ANY REPRODUCTION IN PART OR AS A WHOLE WITHOUT THE WRITTEN PERMISSION OF CUSTOM WINDOW SYSTEMS, INC IS PROHIBITED.



7/23/2020

LUCAS A. TURNER, P.E.
FL PE # 58201
2428 Old Natchez Trc, Tr
Camden, TN 38520
PH. 941-380-1574

SHEET DESCRIPTION:

GENERAL NOTES AND ELEVATIONS

DRAWN BY:	DATE:
ADE	08/09/14
CHKD BY:	REV:
CWS-935	E
SCALE:	SHEET
1:20	1 OF 7

Design Pressures (PSF) for Equal Split Configuration with Glass Types A, B, C, or D

Unit	Unit Widths (in.)															
	23 1/2	27 1/2	29 1/2	31 1/2	35 1/2	39 1/2	41 1/2	43 1/2	47 1/2	51 1/2	53 1/8	53 1/8	53 1/8	53 1/8	53 1/8	53 1/8
35 1/2	+50.0/-75.0	+50.0/-75.0	+50.0/-75.0	+50.0/-75.0	+50.0/-75.0	+50.0/-75.0	+50.0/-75.0	+50.0/-75.0	+50.0/-75.0	+50.0/-75.0	+50.0/-75.0	+50.0/-75.0	+50.0/-75.0	+50.0/-75.0	+50.0/-75.0	+50.0/-75.0
39 1/2	+50.0/-75.0	+50.0/-75.0	+50.0/-75.0	+50.0/-75.0	+50.0/-75.0	+50.0/-75.0	+50.0/-75.0	+50.0/-75.0	+50.0/-75.0	+50.0/-75.0	+50.0/-75.0	+50.0/-75.0	+50.0/-75.0	+50.0/-75.0	+50.0/-75.0	+50.0/-75.0
41 1/2	+50.0/-75.0	+50.0/-75.0	+50.0/-75.0	+50.0/-75.0	+50.0/-75.0	+50.0/-75.0	+50.0/-75.0	+50.0/-75.0	+50.0/-75.0	+50.0/-75.0	+50.0/-75.0	+50.0/-75.0	+50.0/-75.0	+50.0/-75.0	+50.0/-75.0	+50.0/-75.0
43 1/2	+50.0/-75.0	+50.0/-75.0	+50.0/-75.0	+50.0/-75.0	+50.0/-75.0	+50.0/-75.0	+50.0/-75.0	+50.0/-75.0	+50.0/-75.0	+50.0/-75.0	+50.0/-75.0	+50.0/-75.0	+50.0/-75.0	+50.0/-75.0	+50.0/-75.0	+50.0/-75.0
47 1/2	+50.0/-75.0	+50.0/-75.0	+50.0/-75.0	+50.0/-75.0	+50.0/-75.0	+50.0/-75.0	+50.0/-75.0	+50.0/-75.0	+50.0/-75.0	+50.0/-75.0	+50.0/-75.0	+50.0/-75.0	+50.0/-75.0	+50.0/-75.0	+50.0/-75.0	+50.0/-75.0
51 1/2	+50.0/-75.0	+50.0/-75.0	+50.0/-75.0	+50.0/-75.0	+50.0/-75.0	+50.0/-75.0	+50.0/-75.0	+50.0/-75.0	+50.0/-75.0	+50.0/-75.0	+50.0/-75.0	+50.0/-75.0	+50.0/-75.0	+50.0/-75.0	+50.0/-75.0	+50.0/-75.0
53 1/2	+50.0/-75.0	+50.0/-75.0	+50.0/-75.0	+50.0/-75.0	+50.0/-75.0	+50.0/-75.0	+50.0/-75.0	+50.0/-75.0	+50.0/-75.0	+50.0/-75.0	+50.0/-75.0	+50.0/-75.0	+50.0/-75.0	+50.0/-75.0	+50.0/-75.0	+50.0/-75.0
55 1/2	+50.0/-75.0	+50.0/-75.0	+50.0/-75.0	+50.0/-75.0	+50.0/-75.0	+50.0/-75.0	+50.0/-75.0	+50.0/-75.0	+50.0/-75.0	+50.0/-75.0	+50.0/-75.0	+50.0/-75.0	+50.0/-75.0	+50.0/-75.0	+50.0/-75.0	+50.0/-75.0
59 1/2	+50.0/-75.0	+50.0/-75.0	+50.0/-75.0	+50.0/-75.0	+50.0/-75.0	+50.0/-75.0	+50.0/-75.0	+50.0/-75.0	+50.0/-75.0	+50.0/-75.0	+50.0/-75.0	+50.0/-75.0	+50.0/-75.0	+50.0/-75.0	+50.0/-75.0	+50.0/-75.0
63 1/2	+50.0/-75.0	+50.0/-75.0	+50.0/-75.0	+50.0/-75.0	+50.0/-75.0	+50.0/-75.0	+50.0/-75.0	+50.0/-75.0	+50.0/-75.0	+50.0/-75.0	+50.0/-75.0	+50.0/-75.0	+50.0/-75.0	+50.0/-75.0	+50.0/-75.0	+50.0/-75.0
65 1/2	+50.0/-75.0	+50.0/-75.0	+50.0/-75.0	+50.0/-75.0	+50.0/-75.0	+50.0/-75.0	+50.0/-75.0	+50.0/-75.0	+50.0/-75.0	+50.0/-75.0	+50.0/-75.0	+50.0/-75.0	+50.0/-75.0	+50.0/-75.0	+50.0/-75.0	+50.0/-75.0
67 1/2	+50.0/-75.0	+50.0/-75.0	+50.0/-75.0	+50.0/-75.0	+50.0/-75.0	+50.0/-75.0	+50.0/-75.0	+50.0/-75.0	+50.0/-75.0	+50.0/-75.0	+50.0/-75.0	+50.0/-75.0	+50.0/-75.0	+50.0/-75.0	+50.0/-75.0	+50.0/-75.0
71 1/2	+50.0/-75.0	+50.0/-75.0	+50.0/-75.0	+50.0/-75.0	+50.0/-75.0	+50.0/-75.0	+50.0/-75.0	+50.0/-75.0	+50.0/-75.0	+50.0/-75.0	+50.0/-75.0	+50.0/-75.0	+50.0/-75.0	+50.0/-75.0	+50.0/-75.0	+50.0/-75.0
74 3/4	+50.0/-59.9	+50.0/-55.6	+50.0/-54.1	+50.0/-54.1	+50.0/-51.8	+50.0/-53.0	+50.0/-53.0	+50.0/-51.7	+50.0/-51.7	+50.0/-51.7	+50.0/-51.7	+50.0/-51.7	+50.0/-51.7	+50.0/-51.7	+50.0/-51.7	+50.0/-51.7
76	+50.0/-58.5	+50.0/-54.1	+50.0/-52.6	+50.0/-51.5	+50.0/-50.2	+50.0/-50.0	+50.0/-50.0	+50.0/-50.0	+50.0/-50.0	+50.0/-50.0	+50.0/-50.0	+50.0/-50.0	+50.0/-50.0	+50.0/-50.0	+50.0/-50.0	+50.0/-50.0

Design Pressures (PSF) for Oriel Configuration with Glass Types A, B, C, or D in the Sash, and Glass Types C or D in the Fixed

Unit	Unit Widths (in.)															
	23 1/2	27 1/2	29 1/2	31 1/2	35 1/2	39 1/2	41 1/2	43 1/2	47 1/2	51 1/2	53 1/8	53 1/8	53 1/8	53 1/8	53 1/8	53 1/8
35 1/2	+50.0/-75.0	+50.0/-75.0	+50.0/-75.0	+50.0/-75.0	+50.0/-75.0	+50.0/-75.0	+50.0/-75.0	+50.0/-75.0	+50.0/-75.0	+50.0/-75.0	+50.0/-75.0	+50.0/-75.0	+50.0/-75.0	+50.0/-75.0	+50.0/-75.0	+50.0/-75.0
39 1/2	+50.0/-75.0	+50.0/-75.0	+50.0/-75.0	+50.0/-75.0	+50.0/-75.0	+50.0/-75.0	+50.0/-75.0	+50.0/-75.0	+50.0/-75.0	+50.0/-75.0	+50.0/-75.0	+50.0/-75.0	+50.0/-75.0	+50.0/-75.0	+50.0/-75.0	+50.0/-75.0
41 1/2	+50.0/-75.0	+50.0/-75.0	+50.0/-75.0	+50.0/-75.0	+50.0/-75.0	+50.0/-75.0	+50.0/-75.0	+50.0/-75.0	+50.0/-75.0	+50.0/-75.0	+50.0/-75.0	+50.0/-75.0	+50.0/-75.0	+50.0/-75.0	+50.0/-75.0	+50.0/-75.0
43 1/2	+50.0/-75.0	+50.0/-75.0	+50.0/-75.0	+50.0/-75.0	+50.0/-75.0	+50.0/-75.0	+50.0/-75.0	+50.0/-75.0	+50.0/-75.0	+50.0/-75.0	+50.0/-75.0	+50.0/-75.0	+50.0/-75.0	+50.0/-75.0	+50.0/-75.0	+50.0/-75.0
47 1/2	+50.0/-75.0	+50.0/-75.0	+50.0/-75.0	+50.0/-75.0	+50.0/-75.0	+50.0/-75.0	+50.0/-75.0	+50.0/-75.0	+50.0/-75.0	+50.0/-75.0	+50.0/-75.0	+50.0/-75.0	+50.0/-75.0	+50.0/-75.0	+50.0/-75.0	+50.0/-75.0
51 1/2	+50.0/-69.0	+50.0/-68.4	+50.0/-68.4	+50.0/-68.4	+50.0/-68.1	+50.0/-67.4	+50.0/-67.4	+50.0/-67.4	+50.0/-67.4	+50.0/-67.4	+50.0/-67.4	+50.0/-67.4	+50.0/-67.4	+50.0/-67.4	+50.0/-67.4	+50.0/-67.4
53 1/2	+50.0/-64.4	+50.0/-64.4	+50.0/-63.4	+50.0/-63.4	+50.0/-62.4	+50.0/-61.2	+50.0/-61.1	+50.0/-61.1	+50.0/-61.1	+50.0/-61.1	+50.0/-61.1	+50.0/-61.1	+50.0/-61.1	+50.0/-61.1	+50.0/-61.1	+50.0/-61.1
55 1/2	+50.0/-60.3	+50.0/-58.9	+50.0/-58.9	+50.0/-58.9	+50.0/-57.6	+50.0/-56.1	+50.0/-55.7	+50.0/-55.6	+50.0/-55.6	+50.0/-55.6	+50.0/-55.6	+50.0/-55.6	+50.0/-55.6	+50.0/-55.6	+50.0/-55.6	+50.0/-55.6
59 1/2	+50.0/-53.6	+50.0/-51.6	+50.0/-51.3	+50.0/-51.3	+50.0/-51.3	+50.0/-51.0	+50.0/-50.5	+50.0/-50.1	+50.0/-50.1	+50.0/-50.1	+50.0/-50.1	+50.0/-50.1	+50.0/-50.1	+50.0/-50.1	+50.0/-50.1	+50.0/-50.1
63 1/2	+50.0/-52.5	+50.0/-50.4	+50.0/-50.0	+50.0/-50.0	+50.0/-50.0	+50.0/-50.0	+50.0/-50.0	+50.0/-50.0	+50.0/-50.0	+50.0/-50.0	+50.0/-50.0	+50.0/-50.0	+50.0/-50.0	+50.0/-50.0	+50.0/-50.0	+50.0/-50.0
65 1/2	+50.0/-52.5	+50.0/-50.4	+50.0/-50.0	+50.0/-50.0	+50.0/-50.0	+50.0/-50.0	+50.0/-50.0	+50.0/-50.0	+50.0/-50.0	+50.0/-50.0	+50.0/-50.0	+50.0/-50.0	+50.0/-50.0	+50.0/-50.0	+50.0/-50.0	+50.0/-50.0
67 1/2	+50.0/-52.5	+50.0/-50.4	+50.0/-50.0	+50.0/-50.0	+50.0/-50.0	+50.0/-50.0	+50.0/-50.0	+50.0/-50.0	+50.0/-50.0	+50.0/-50.0	+50.0/-50.0	+50.0/-50.0	+50.0/-50.0	+50.0/-50.0	+50.0/-50.0	+50.0/-50.0
71 1/2	+50.0/-52.5	+50.0/-50.4	+50.0/-50.0	+50.0/-50.0	+50.0/-50.0	+50.0/-50.0	+50.0/-50.0	+50.0/-50.0	+50.0/-50.0	+50.0/-50.0	+50.0/-50.0	+50.0/-50.0	+50.0/-50.0	+50.0/-50.0	+50.0/-50.0	+50.0/-50.0
74 3/4	+50.0/-52.5	+50.0/-50.4	+50.0/-50.0	+50.0/-50.0	+50.0/-50.0	+50.0/-50.0	+50.0/-50.0	+50.0/-50.0	+50.0/-50.0	+50.0/-50.0	+50.0/-50.0	+50.0/-50.0	+50.0/-50.0	+50.0/-50.0	+50.0/-50.0	+50.0/-50.0
76	+50.0/-52.5	+50.0/-50.4	+50.0/-50.0	+50.0/-50.0	+50.0/-50.0	+50.0/-50.0	+50.0/-50.0	+50.0/-50.0	+50.0/-50.0	+50.0/-50.0	+50.0/-50.0	+50.0/-50.0	+50.0/-50.0	+50.0/-50.0	+50.0/-50.0	+50.0/-50.0

NOTE:
IF SIZE INTENDED IS NOT SHOWN, USE NEXT LARGER SIZE.



**610 PVC
SINGLE HUNG
NON-IMPACT**

PROPRIETARY AND CONFIDENTIAL

THE INFORMATION CONTAINED IN THIS DRAWING IS THE SOLE PROPERTY OF CUSTOM WINDOW SYSTEMS, INC. ANY REPRODUCTION IN PART OR AS A WHOLE WITHOUT THE WRITTEN PERMISSION OF CUSTOM WINDOW SYSTEMS, INC IS PROHIBITED.

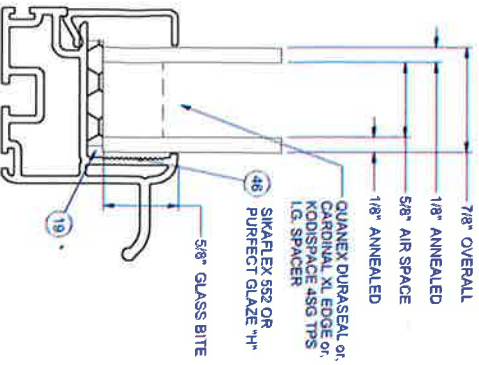


LUCAS A. TURNER, P.E.
FL PE # 58201
2428 Old Natchez Trc TH
Camden, TN 38320
PH. 941-380-1574

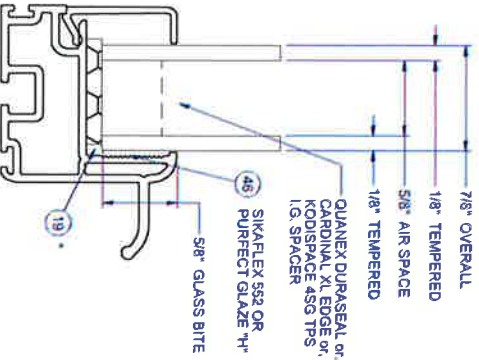
7/23/2020

SHEET DESCRIPTION:
**DESIGN PRESSURE
CHARTS**

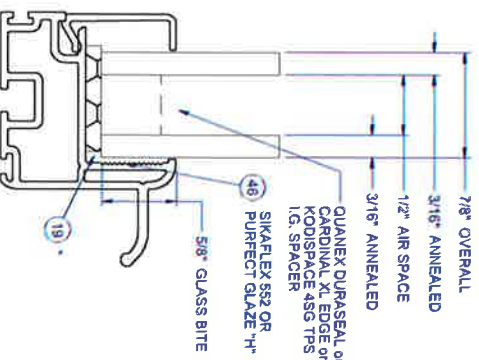
DRAWN BY: ADE	DATE: 08/09/14
DWG #: CWS-935	REV: E
SCALE: 1:1	SHEET 2 OF 7



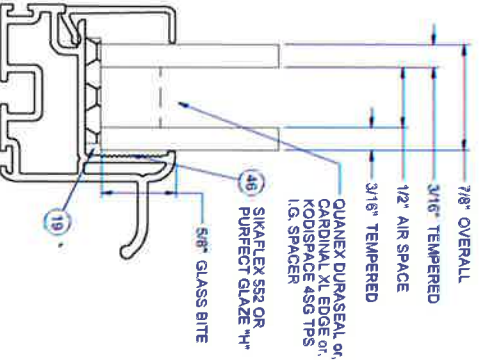
GLASS TYPE A



GLASS TYPE B



GLASS TYPE C



GLASS TYPE D

SETTING BLOCKS PER FBC 2411.3.3.1

Custom
WINDOW SYSTEMS
1900 SW 44TH AVE.
OCALA, FLORIDA 34474
WWW.CWS.CC

**610 PVC
SINGLE HUNG
NON-IMPACT**

PROPRIETARY AND CONFIDENTIAL
THE INFORMATION CONTAINED IN THIS DRAWING IS THE SOLE PROPERTY OF CUSTOM WINDOW SYSTEMS, INC. ANY REPRODUCTION IN PART OR AS A WHOLE WITHOUT THE WRITTEN PERMISSION OF CUSTOM WINDOW SYSTEMS, INC IS PROHIBITED.



LUCAS A. TURNER, P.E.
FL PE # 58201
2428 Old Natchez Trc TH
Camden, TN 38320
PH. 941-380-1574

SHEET DESCRIPTION	
GLAZING DETAILS	
DRAWN BY:	DATE:
ADE	08/09/14
CHKD BY:	REV:
CWS-935	E
SCALE:	SHEET
1:1	3 OF 7

7/23/2020

**610 PVC
SINGLE HUNG
NON-IMPACT**

PROPRIETARY AND CONFIDENTIAL

THE INFORMATION CONTAINED IN THIS DRAWING IS THE SOLE PROPERTY OF CUSTOM WINDOW SYSTEMS, INC. ANY REPRODUCTION IN PART OR AS A WHOLE WITHOUT THE WRITTEN PERMISSION OF CUSTOM WINDOW SYSTEMS, INC IS PROHIBITED.



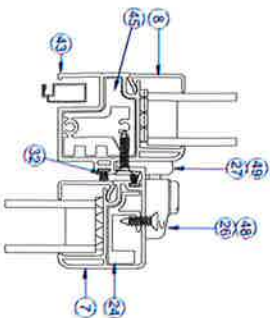
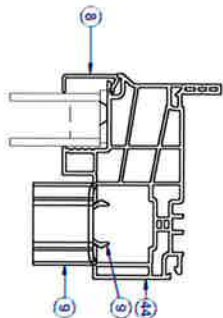
7/23/2020

LUCAS A. TURNER, P.E.
FL PE # 58201
2428 Old Natchez Trc TH
Camden, TN 38320
PH. 941-380-1574

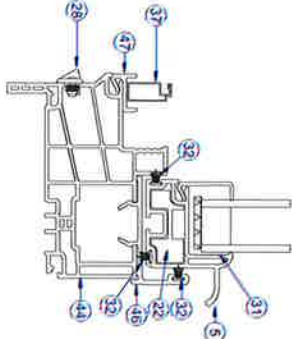
SHEET DESCRIPTION:

SECTION VIEWS

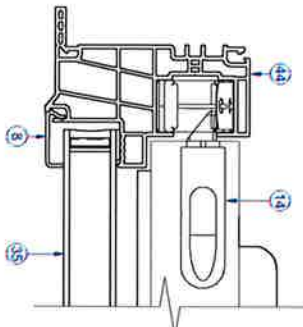
DRAWN BY:	DATE:
ADE	08/09/14
DWG #:	REV.:
CWS-935	E
SCALE:	SHEET
1:2	4 OF 7



INTERIOR



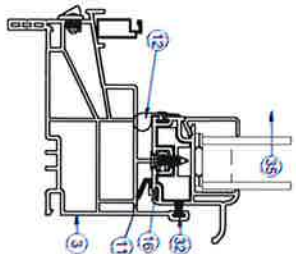
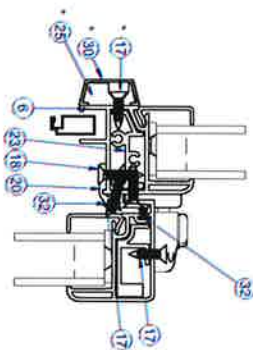
SECTION A-A



INTERIOR

SECTION B-B

NOTE: LEFT SIDE SHOWS FIXED SECTION VIEW.
RIGHT SIDE SHOWS SASH SECTION VIEW.



**SECTION C-C
ALTERNATE MTG RAIL
AND SLOPE SILL**



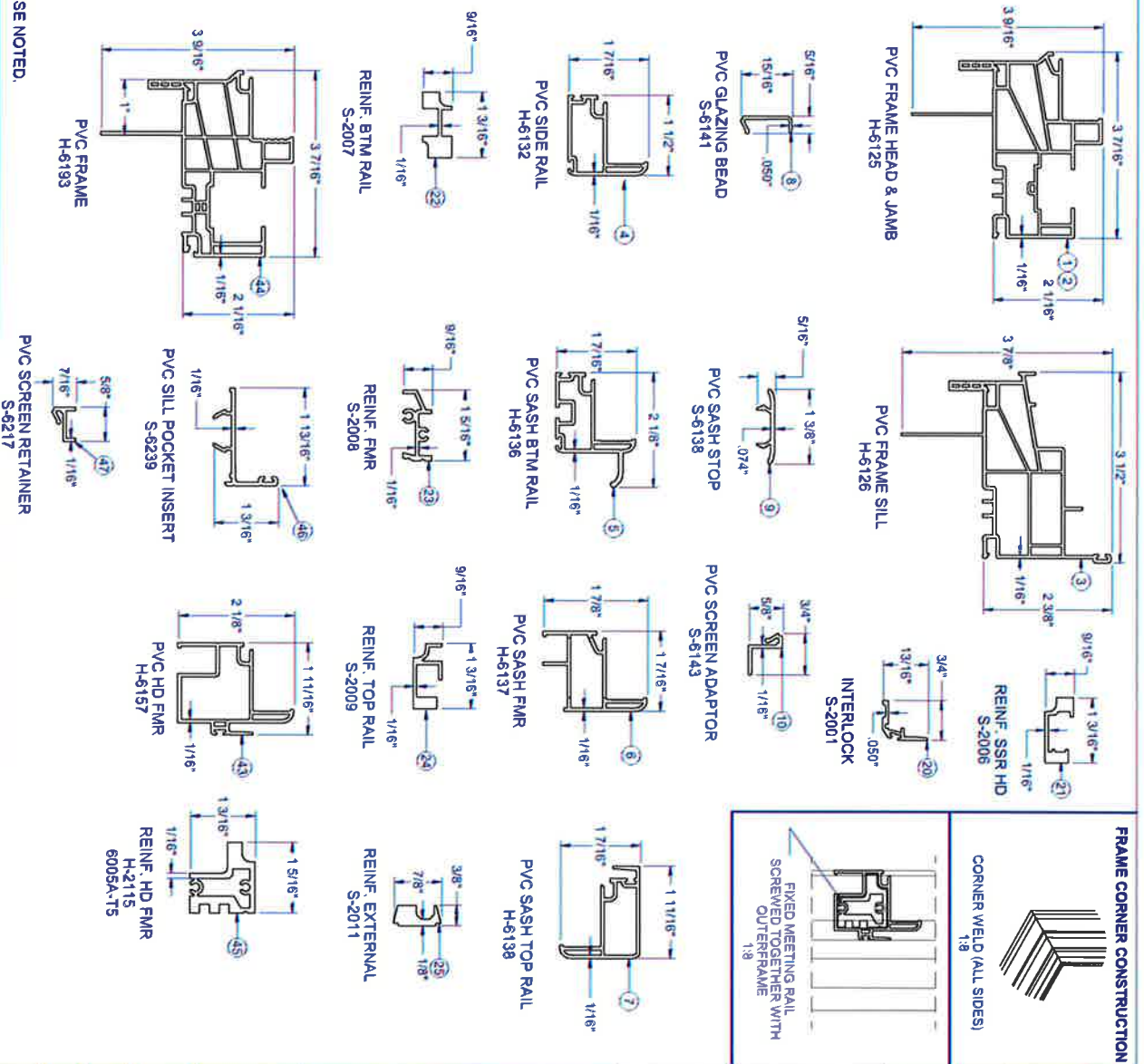
**SECTION D-D
ALT 562 POCKET UNI-FRAME**

- NOTES:**
- FIN FRAME AVAILABLE FOR BOTH UNI-FRAME AND STANDARD FRAME TYPES.
 - 880 BALANCERS AND DEEP POCKET UNI-FRAME (H-6193) REQUIRED FOR LARGER SASHES.
 - EXTERNAL REINFORCEMENT REQUIRED ON UNIT WIDTHS OVER 37" WITH THE H-6137 FIXED MEETING RAIL AND SCREW-ON INTERLOCK, S-2001.

NOTE: ITEMS NOT SHOWN FOR CLARITY: 38-41

ITEM	PART	DESCRIPTION	MATERIAL
1	H-6125	HEAD, OUTERFRAME	PVC
2	H-6125	JAMBS, OUTERFRAME	PVC
3	H-6126	SILL, OUTERFRAME	PVC
4	H-6132	SASH SIDE RAIL	PVC
5	H-6136	SASH BOTTOM RAIL	PVC
6	H-6137	FIXED MEETING RAIL	PVC
7	H-6138	SASH TOP RAIL	PVC
8	S-6141	GLAZING BEAD	PVC
9	S-6142	SASH STOP	PVC
10	S-6143	SCREEN ADAPTOR	PVC
11	P-5085	WSTP, Q10N BULB VINYL	PVC
12	P-5086	WSTP, Q10N BULB VINYL	PVC
13		BALANCERS - CONSTANT FORCE RT 880	
14	P-5392	SASH TILT LATCH	NYLON
15	P-5393	PIVOT CARRIER	NYLON
16	P-5396	PIVOT BAR	SS
17	P-5315	#8 X 5/8 PHIL FLAT WHITE SMS	STEEL
18	P-4146	#8 X 3/4 PHIL FLAT tek	STEEL
19	P-5615	SETTING BLOCK	RUBBER
20	S-2001	INTERLOCK RAIL	ALUMI
21	S-2006	REINF. SASH SIDE RAIL HD	ALUMI
22	S-2007	REINF. BOTTOM RAIL	ALUMI
23	S-2008	REINF. FMR	ALUMI
24	S-2009	REINF. TOP RAIL	ALUMI
25	S-2011	REINF. EXTERNAL	ALUMI
26	P-5388	LOGGS	NYLON
27	P-5389	KEEPERS	NYLON
28	P-4779	WEEP COVER	NYLON
29	P-5397	FMR ENDCAP	NYLON
30	P-5400	COVER, FMR REINF.	PVC
31		SIKA FLEX 552 OR PURETECT GLAZE 'H'	SILICONE
32	P-3305	WSTP, 270 X 187 SOFT TOUCH FIN	NYLON
34	P-5588	HOLE PLUG	NYLON
35		GLASS, ISE SHEET 2	
36	P-4638	#8 X 2-1/2 PHIL TRUSS tek	STEEL
37	P-3218	SCREEN FRAME	ALUMI
38	P-4754	SCREEN CORNER KEY	ALUMI
39	P-3228	SCREEN SPLINE	NYLON
40	P-3029	SCREEN SPLITS	
41	P-3033	SCREEN SPRINGS	
43	H-6157	HD FIXED MEETING RAIL	PVC
44	H-6193	UNI-FRAME 880 BALANCERS	PVC
45	H-2115	REINF. HD FMR	ALUMI
46	S-6239	UNI-FRAME SILL POCKET INSERT	PVC
47	S-6217	UNI-FRAME SCREEN RETAINER	PVC
48	P-3783	LOGGS, IMPACT	STEEL
49	P-3784	KEEPERS, IMPACT	STEEL

NOTE: ALL ALUMINUM EXTRUSIONS ARE 6063-T6 UNLESS OTHERWISE NOTED.



FRAME CORNER CONSTRUCTION



CORNER WELD (ALL SIDES)
1/8"

FIXED MEETING RAIL
SCREWED TOGETHER WITH
OUTERFRAME
1/8"

PROPRIETARY AND CONFIDENTIAL

THE INFORMATION CONTAINED IN THIS DRAWING IS THE SOLE PROPERTY OF CUSTOM WINDOW SYSTEMS, INC. ANY REPRODUCTION IN PART OR AS A WHOLE WITHOUT THE WRITTEN PERMISSION OF CUSTOM WINDOW SYSTEMS, INC IS PROHIBITED.

610 PVC SINGLE HUNG NON-IMPACT

Custom Window Systems
WINDOW SYSTEMS
1900 SW 44TH AVE.
OCALA, FLORIDA 34474
WWW.CWS.CC

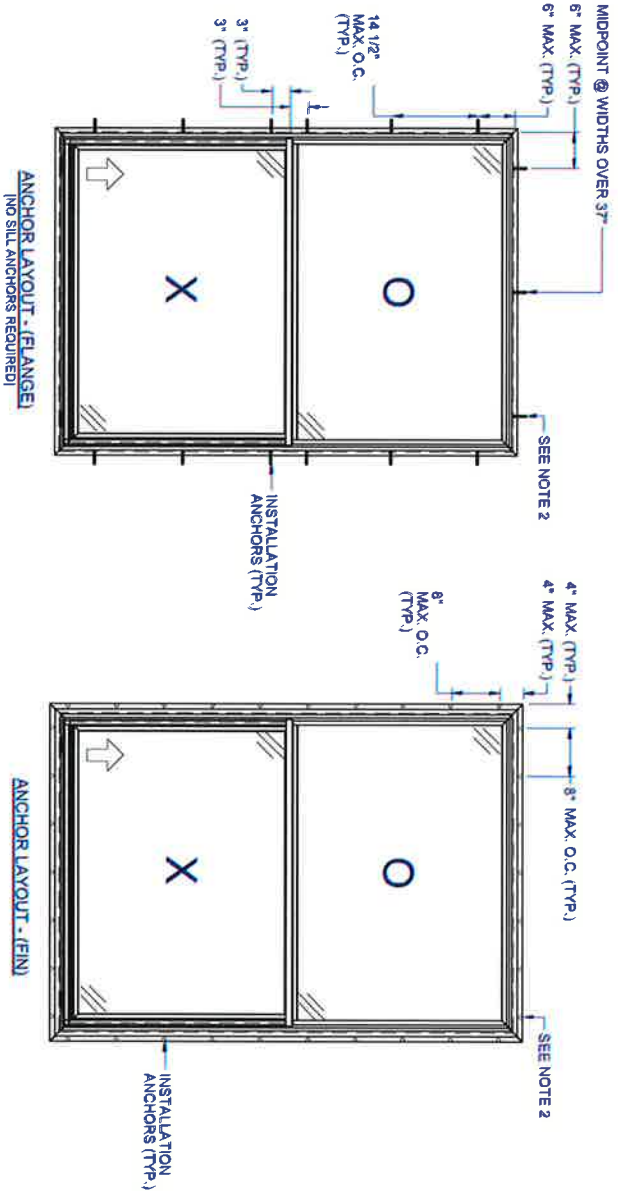


7/23/2020

LUCAS A. TURNER, P.E.
FL PE # 58201
2428 Old Natchez Trc TH
Camden, TN 38320
PH. 941-380-1574

BOM AND EXTRUSIONS

DRAWN BY:	DATE:
ADE	08/09/14
CWS-935	REV:
	E
SCALE:	SHEET
1:2	5 OF 7



NOTES:

1. INSTALL ONE ANCHOR AT EACH INSTALLATION LOCATION. SILL ANCHOR SPACING SAME AS HEAD.
2. SHIM AS REQ AT EACH INSTALLATION ANCHOR USING LOAD BEARING SHIMS. MAX ALLOWABLE SHIM STACK TO BE 1/4". USE SHIMS WHERE SPACE GREATER THAN 1/8" IS PRESENT. LOAD BEARING SHIMS SHALL BE CONSTRUCTED OF HIGH DENSITY PLASTIC OR BETTER. WOOD SHIMS ARE NOT ALLOWED.
3. ANCHOR TYPE, SIZE, SPACING AND EMBEDMENT SHALL BE AS SPECIFIED IN THESE DRAWINGS. SEE TABLE 1, SHEET 7.
4. ALL INSTALLATION ANCHORS MUST BE MADE OF OR PROTECTED WITH A CORROSION RESISTANT MATERIAL OR COATING. DISSIMILAR METALS OR MATERIALS IN CONTACT WITH PRESSURE TREATED WOOD MUST BE PROTECTED TO PREVENT REACTION.
5. INSTALLATION ANCHORS SHALL BE IN ACCORDANCE WITH ANCHOR MANUFACTURER'S INSTALLATION INSTRUCTIONS, AND ANCHORS SHALL NOT BE USED IN SUBSTRATES WITH STRENGTHS LESS THAN THE MINIMUM SPECIFIED IN TABLE 1, SHEET 7.
6. ANCHOR EMBEDMENT TO SUBSTRATE SHALL BE BEYOND WALL DRESSING OR STUCCO. FOR CONCRETE/CMU OPENINGS, EMBEDMENT SHALL BE BEYOND WOOD BUCKS, IF USED, INTO SUBSTRATE - 1X BUCKS ARE OPTIONAL.
7. A MINIMUM CENTER-TO-CENTER SPACING SHALL BE MAINTAINED BETWEEN ALL FASTENERS: 3" FOR MASONRY, 1" FOR WOOD AND METAL.
8. WOOD OR MASONRY OPENINGS, BUCKS AND BUCK FASTENERS SHALL BE PROPERLY DESIGNED BY THE ARCHITECT OR ENGINEER OF RECORD AND INSTALLED TO TRANSFER WIND LOADS TO THE STRUCTURE. SUBSTRATES SHALL MEET THE MINIMUM STRENGTH REQUIREMENTS AS SHOWN IN TABLE 1, SHEET 7. CONCRETE AND MASONRY SUBSTRATES MAY NOT BE CRACKED.
9. SEALING AND FLASHING STRATEGIES FOR OVERALL WATER RESISTANCE OF INSTALLATION SHALL BE DONE BY OTHERS FOLLOWING THE CURRENT VERSION OF THE REFERENCE DOCUMENTS: FMAA/AMA 100(FIN WINDOWS), FMAA/AMA 200(FLANGE WINDOWS), FMAA/AMA/WDMA 250(BOX WINDOWS), FMAA/AMA/WDMA 300(EXTERIOR DOORS)

Custom Window Systems
 1900 SW 44TH AVE.
 OCALA, FLORIDA 34474
 WWW.CWS.CC

**610 PVC
 SINGLE HUNG
 NON-IMPACT**

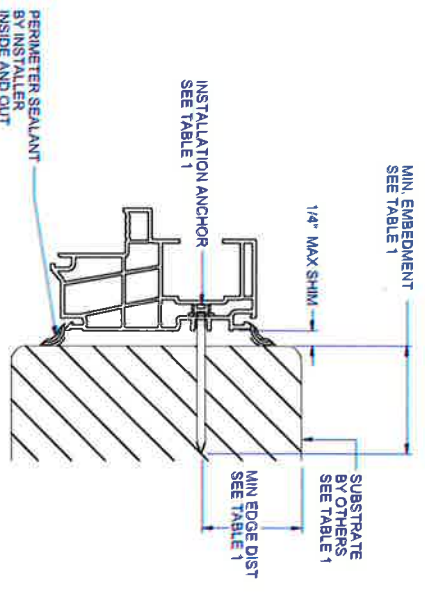
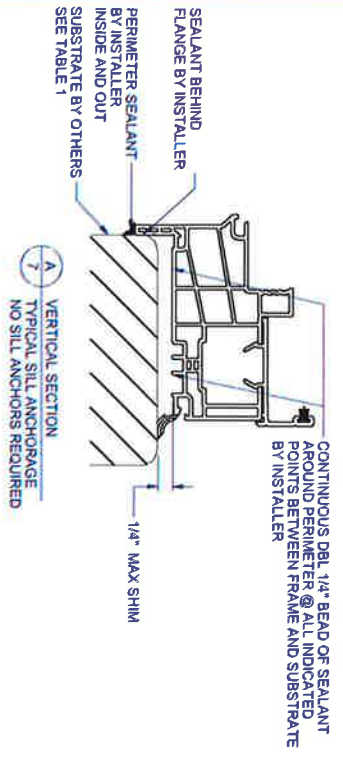
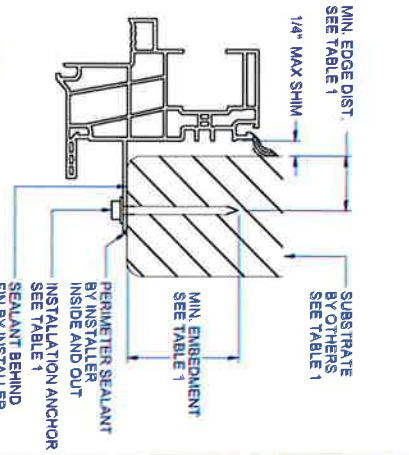
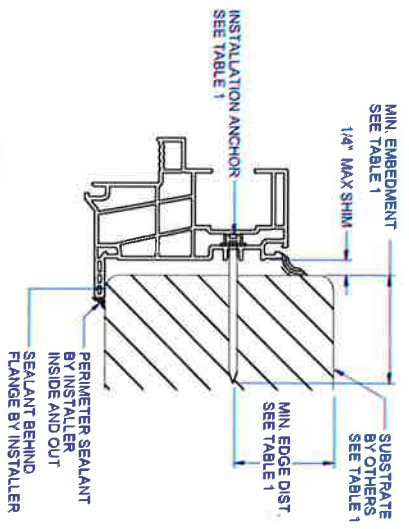
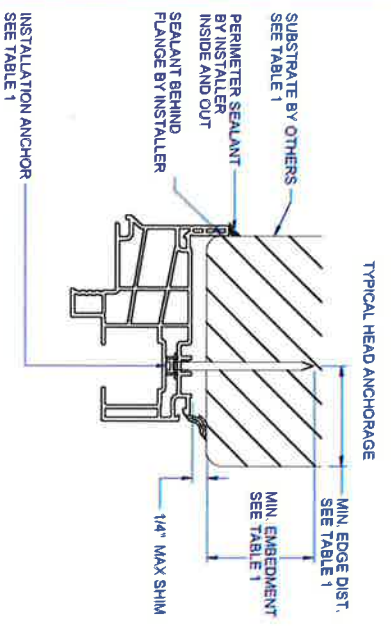
PROPRIETARY AND CONFIDENTIAL
 THE INFORMATION CONTAINED IN THIS DRAWING IS THE SOLE PROPERTY OF CUSTOM WINDOW SYSTEMS, INC. ANY REPRODUCTION IN PART OR AS A WHOLE WITHOUT THE WRITTEN PERMISSION OF CUSTOM WINDOW SYSTEMS, INC IS PROHIBITED.



LUCAS A. TURNER, P.E.
 FL PE # 58201
 2428 Old Natchez Trl TN
 Camden, TN 38320
 PH. 941-380-1574

SHEET DESCRIPTION:
 ANCHOR SCHEDULE AND NOTES

DRAWN BY:	DATE:
ADE	08/09/14
CHK BY:	REV:
CWS-935	E
SCALE:	SHEET
1:20	6 OF 7



7/23/2020

LUCAS A. TURNER, P.E.
FL PE # 58201
2428 Old Natchez Trc TH
Camden, TN 38320
PH. 941-380-1574

SHEET DESCRIPTION:
INSTALLATION DETAILS

DRAWN BY: ADE DATE: 08/09/14
REV: E
SCALE: 1:2 SHEET 7 OF 7

TABLE 1: APPROVED INSTALLATION FASTENERS

FRAME TYPE	SUBSTRATE TYPE	ANCHOR TYPE	MIN. EMBEDMENT	MIN. EDGE DIST.
FLANGE	CONCRETE (2.0 KSI MIN.)	3/16" TW TAPCON	1"	1-1/8"
FLANGE	HOLLOW OR GROUT-FILLED CMU (117 PCF MIN.)	3/16" TW TAPCON	1"	2"
FLANGE	CONCRETE (2.89 KSI MIN.)	3/16" ELCO ULTRACON	1"	1"
FLANGE	GROUT-FILLED CMU (ASTM C-90)	3/16" ELCO ULTRACON	1-1/4"	2-1/2"
FLANGE	2X MIN. SOUTHERN PINE (G=0.55)	3/16" TW TAPCON OR ELCO ULTRACON	1-3/8"	7/8"
FLANGE	2X MIN. SOUTHERN PINE (G=0.55)	#10 WOOD SCREW	1-3/8"	7/8"
FLANGE	16 GAUGE (0.0607" MIN. STEEL STUD (33 KSI YIELD MIN.)	#10-16 HILTI KWIK-FLEX OR TW TEKS SELF-DRILLING SCREW	FULL THREAD THRU 0.060"	7/16"
FLANGE	1/8" ALUM. (6063-T5 MIN.) OR 1/8" STEEL (33 KSI MIN.)	#10 GRADE 5 SELF-TAPPING / DRILLING SCREW	FULL THREAD THRU 0.125"	7/16"
FIN	2X MIN. SOUTHERN PINE (G=0.55)	#10 WOOD SCREW	1-1/2"	1/2"

NOTE: UNIF-FRAME OPTIONS NOT SHOWN.

FLANGE REMOVAL NOTE: PARTIALLY OR FULLY REMOVING THE FLANGE, UP TO AND INCLUDING A BOX-FRAME APPLICATION IS ACCEPTABLE PROVIDED:
- MIN. 1/4" FILLET OF CONSTRUCTION-GRADE ADHESIVE CALK IS APPLIED INSIDE AND OUT FULL PERIMETER. BY INSTALLER.
- PRODUCT ANCHORAGE IS IN ACCORDANCE WITH REQUIREMENTS AS SHOWN FOR FLANGE WINDOWS.

PROPRIETARY AND CONFIDENTIAL
THE INFORMATION CONTAINED IN THIS DRAWING IS THE SOLE PROPERTY OF CUSTOM WINDOW SYSTEMS, INC. ANY REPRODUCTION IN PART OR AS A WHOLE WITHOUT THE WRITTEN PERMISSION OF CUSTOM WINDOW SYSTEMS, INC IS PROHIBITED.

610 PVC SINGLE HUNG NON-IMPACT
Custom WINDOW SYSTEMS
1900 SW 44TH AVE.
OCALA, FLORIDA 34474
WWW.CWS.CO



BCIS Home | Log In | User Registration | Hot Topics | Submit Surcharge | Stats & Facts | Publications | Contact Us | BCIS Site Map | Links | Search



Product Approval
USER: Public User

[Product Approval Menu](#) > [Product or Application Search](#) > [Application List](#) > **Application Detail**

OFFICE OF THE SECRETARY

FL #	FL17355-R5	
Application Type	Revision	
Code Version	2020	
Application Status	Approved	
Comments		
Archived		
Product Manufacturer	Custom Window Systems Inc.	
Address/Phone/Email	1900 SW 44th Avenue Ocala, FL 34474 (352) 368-6922 Ext 291 jlathrop@cws.cc	
Authorized Signature	Jay Lathrop jlathrop@cws.cc	
Technical Representative	Jay Lathrop	
Address/Phone/Email	1900 SW 44th Ave Ocala, FL 34474 (352) 368-6922 Ext 291 jlathrop@cws.cc	
Quality Assurance Representative	Jay Lathrop	
Address/Phone/Email	1900 SW 44th Ave. Ocala, FL 34474 (352) 368-6922 Ext 291 jlathrop@cws.cc	
Category	Windows	
Subcategory	Horizontal Slider	
Compliance Method	Evaluation Report from a Florida Registered Architect or a Licensed Florida Professional Engineer Evaluation Report - Hardcopy Received	
Florida Engineer or Architect Name who developed the Evaluation Report	Lucas Turner	
Florida License	PE-58201	
Quality Assurance Entity	Keystone Certifications, Inc.	
Quality Assurance Contract Expiration Date	07/21/2028	
Validated By	Steven M. Ulrich, PE <input type="checkbox"/> Validation Checklist - Hardcopy Received	
Certificate of Independence	FL17355_R5_COI_EvalReport1031B.pdf	
Referenced Standard and Year (of Standard)	Standard AAMA/WDMA/CSA 101/I.S.2/A440-08	Year 2008
Equivalence of Product Standards Certified By		
Sections from the Code		
Product Approval Method	Method 1 Option D	
Date Submitted	07/31/2020	
Date Validated	08/02/2020	
Date Pending FBC Approval	08/10/2020	
Date Approved	10/13/2020	

Summary of Products

FL #	Model, Number or Name	Description
------	-----------------------	-------------

17355.1	HS-620 Vinyl Horizontal Slider XO	HS-620 Vinyl Horizontal Slider, XO, Non-impact.
Limits of Use Approved for use in HVHZ: No Approved for use outside HVHZ: Yes Impact Resistant: No Design Pressure: N/A Other: Max. sizes: 74" x 63" and 74" x 72". See installation details for DPs. Glass complies with ASTM E 1300.		Installation Instructions FL17355_R5_II_CWS-1031B.pdf Verified By: Lucas A. Turner PE-58201 Created by Independent Third Party: No Evaluation Reports FL17355_R5_AE_EvalReport1031B.pdf Created by Independent Third Party: Yes
17355.2	HS-620 Vinyl Horizontal Slider XOX	HS-620 Vinyl Horizontal Slider, XOX, Non-impact.
Limits of Use Approved for use in HVHZ: No Approved for use outside HVHZ: Yes Impact Resistant: No Design Pressure: N/A Other: Max. size 111" x 63". XOX 1/3-1/3-1/3 and 1/4-1/2-1/4. See installation details for DPs. Glass complies with ASTM E 1300.		Installation Instructions FL17355_R5_II_CWS-1067A.pdf Verified By: Lucas A. Turner PE-58201 Created by Independent Third Party: No Evaluation Reports FL17355_R5_AE_EvalReport1067A.pdf Created by Independent Third Party: Yes
17355.3	HS-620 Vinyl Horizontal Slider XX	HS-620 Vinyl Horizontal Slider, XX, Non-Impact.
Limits of Use Approved for use in HVHZ: No Approved for use outside HVHZ: Yes Impact Resistant: No Design Pressure: N/A Other: Max. sizes: 74" x 63" and 74" x 72". See installation detail for DPs. Glass complies to ASTM E 1300.		Installation Instructions FL17355_R5_II_CWS-1059A.pdf Verified By: Lucas A. Turner PE-58201 Created by Independent Third Party: No Evaluation Reports FL17355_R5_AE_EvalReport1059A.pdf Created by Independent Third Party: Yes



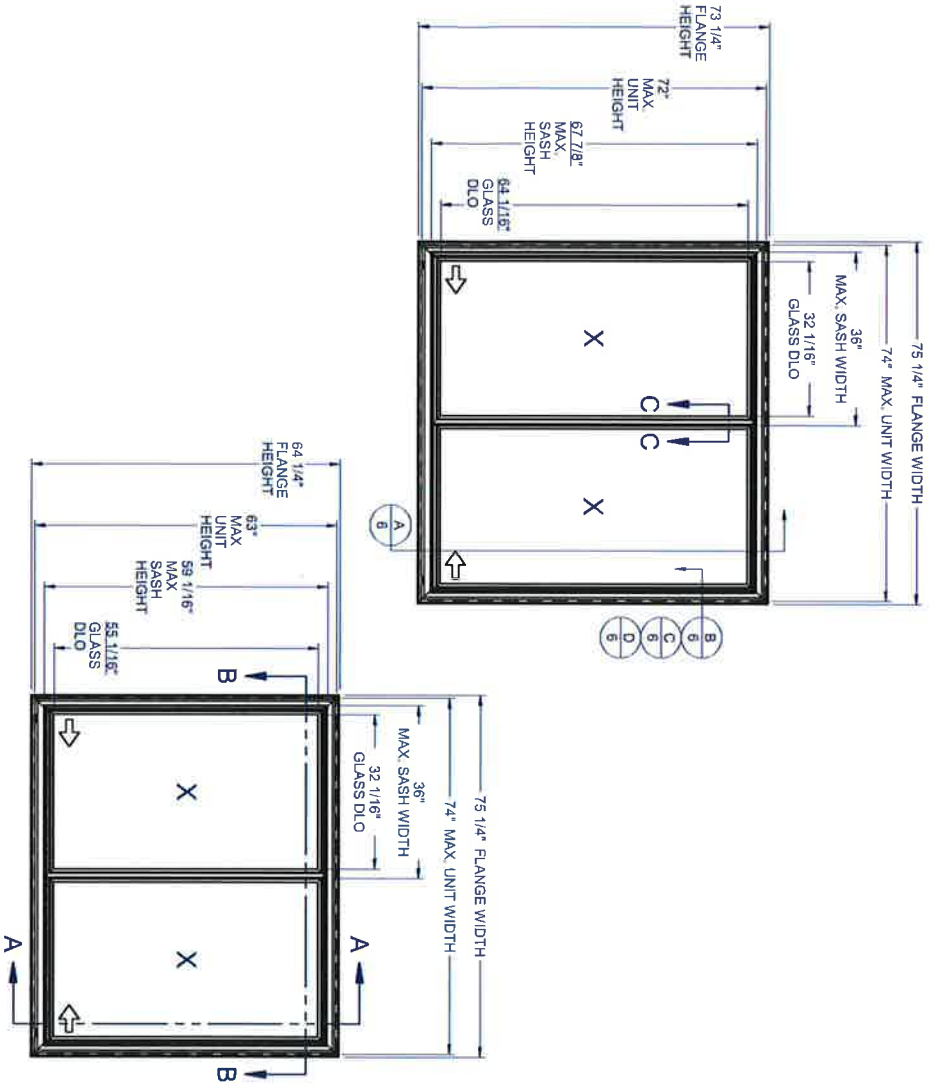
Contact Us :: 2601 Blair Stone Road, Tallahassee FL 32399 Phone: 850-487-1824

The State of Florida is an AA/EEO employer. Copyright 2007-2013 State of Florida. :: [Privacy Statement](#) :: [Accessibility Statement](#) :: [Refund Statement](#)

Under Florida law, email addresses are public records. If you do not want your e-mail address released in response to a public-records request, do not send electronic mail to this entity. Instead, contact the office by phone or by traditional mail. If you have any questions, please contact 850.487.1395. *Pursuant to Section 455.275(1), Florida Statutes, effective October 1, 2012, licensees licensed under Chapter 455, F.S. must provide the Department with an email address if they have one. The emails provided may be used for official communication with the licensee. However email addresses are public record. If you do not wish to supply a personal address, please provide the Department with an email address which can be made available to the public. To determine if you are a licensee under Chapter 455, F.S., please click [here](#).



HORIZONTAL SLIDER - NON-IMPACT



GENERAL NOTES:

1. THE PRODUCT SHOWN HEREIN IS DESIGNED AND MANUFACTURED TO COMPLY WITH THE FLORIDA BUILDING CODE (FBC), CURRENT EDITION.
2. GLAZING OPTIONS: (SEE SHEET 2)
3. CONFIGURATIONS: "XX"
4. DESIGN PRESSURE RATING (SEE SHEET 2):
-NEGATIVE DESIGN LOADS BASED ON, TESTED PRESSURE AND GLASS TABLES ASTM E-1300-04a01/09.
-POSITIVE DESIGN LOADS BASED ON, TESTED PRESSURE, WATER INFILTRATION TEST PRESSURE AND GLASS TABLES ASTM E-1300-04a01/09.
5. ANCHORAGE: THE 33 1/3% STRESS INCREASE HAS NOT BEEN USED IN THE DESIGN OF THIS PRODUCT. SEE SHEET 6 FOR ANCHOR DETAILS. WINDLOAD DURATION FACTOR CD=1.8 WAS USED FOR WOOD ANCHOR CALCULATIONS.
6. NOT APPROVED FOR IMPACT RESISTANCE. IMPACT PROTECTIVE SYSTEM IS REQUIRED IN WIND BORNE DEBRIS REGION.
7. ALL FRAMES AND VENTS FULLY WELDED.
8. SERIES / MODEL DESIGNATION HS-620.
9. THE DESIGNATION X AND O STAND FOR THE FOLLOWING:
X = OPERABLE SASH
10. SECTION CALLOUTS APPLY TO ALL ELEVATIONS IN A SIMILAR LOCATION.
11. EXTERNAL WEEP SLOT = 5/16" x 2-1/8" LOCATED 4-1/2" FROM BOTH ENDS.

Lucas Turner
2020.07.27
11:25:33
-05'00"

TABLE OF CONTENTS

GENERAL NOTES & ELEVATIONS.....	1
DP CHARTS & GLAZING DETAIL.....	2
SECTION VIEWS.....	3
EXTRUSIONS & B.O.M.....	4
ANCHOR SCHEDULE & NOTES.....	5
INSTALLATION DETAIL.....	6

MAX. UNIT SIZE	2011 MTG. RAIL REINF.	DESIGN PRESSURE RATING	IMPACT RATING
74" x 63"	NO	SEE COMPARATIVE ANALYSIS CHARTS, SHEET 2	NONE
74" x 72"	YES		

Custom Window Systems
1900 SW 44TH AVE
OCALA, FLORIDA 34474
WWW.CWS.CO

**620 PVC
HORIZ. SLIDER
NON-IMPACT**

PROPRIETARY AND CONFIDENTIAL
THE INFORMATION CONTAINED IN THIS DRAWING IS THE SOLE PROPERTY OF CUSTOM WINDOW SYSTEMS, INC. ANY REPRODUCTION IN PART OR AS A WHOLE WITHOUT THE WRITTEN PERMISSION OF CUSTOM WINDOW SYSTEMS, INC IS PROHIBITED.



7/23/2020

LUCAS A. TURNER, P.E.
FL PE # 58201
2428 Old Natchez Trc Th
Camden, TN 38320
PH. 941-360-1874

GENERAL NOTES AND ELEVATIONS

DRAWN BY:	DATE:
EMK	04/22/15
DWG #:	REV.:
CWS-1059	A
SCALE:	SHEET
1:25	1 OF 6

FLANGE WINDOW DESIGN PRESSURES FOR EQUAL SPLIT "X/X" WITH GLASS TYPES A, B, C, OR D

Unit	Unit Height									
	35 1/2	39 1/2	43 1/2	47 1/2	51 1/2	55 1/2	59 1/2	63	67	71
Width	+50/-75	+50/-75	+50/-75	+50/-75	+50/-75	+50/-75	+50/-75	+50/-75	+50/-75	+50/-75
39 1/2	+50/-75	+50/-75	+50/-75	+50/-75	+50/-75	+50/-75	+50/-75	+50/-75	+50/-75	+50/-75
43 1/2	+50/-75	+50/-75	+50/-75	+50/-75	+50/-75	+50/-75	+50/-75	+50/-75	+50/-75	+50/-75
47 1/2	+50/-75	+50/-75	+50/-75	+50/-75	+50/-75	+50/-75	+50/-75	+50/-75	+50/-75	+50/-75
51 1/2	+50/-75	+50/-75	+50/-75	+50/-75	+50/-75	+50/-75	+50/-75	+50/-75	+50/-75	+50/-75
55 1/2	+50/-75	+50/-75	+50/-75	+50/-75	+50/-75	+50/-75	+50/-75	+50/-75	+50/-75	+50/-75
59 1/2	+50/-75	+50/-75	+50/-75	+50/-75	+50/-75	+50/-75	+50/-75	+50/-75	+50/-75	+50/-75
63 1/2	+50/-75	+50/-75	+50/-75	+50/-75	+50/-75	+50/-75	+50/-75	+50/-75	+50/-75	+50/-75
67 1/2	+50/-75	+50/-75	+50/-75	+50/-75	+50/-75	+50/-75	+50/-75	+50/-75	+50/-75	+50/-75
71 1/2	+50/-75	+50/-75	+50/-75	+50/-75	+50/-75	+50/-75	+50/-75	+50/-75	+50/-75	+50/-75
74	+50/-75	+50/-75	+50/-75	+50/-75	+50/-75	+50/-75	+50/-75	+50/-75	+50/-75	+50/-75

FLANGE WINDOW DESIGN PRESSURES FOR EQUAL SPLIT "X/X" WITH GLASS TYPES A, B, C, OR D

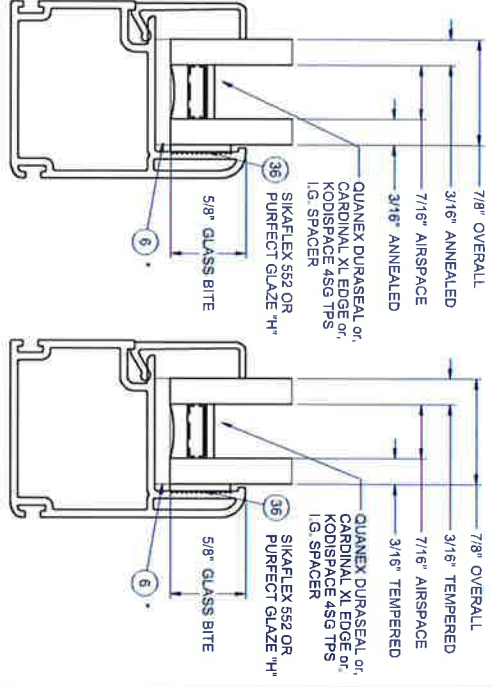
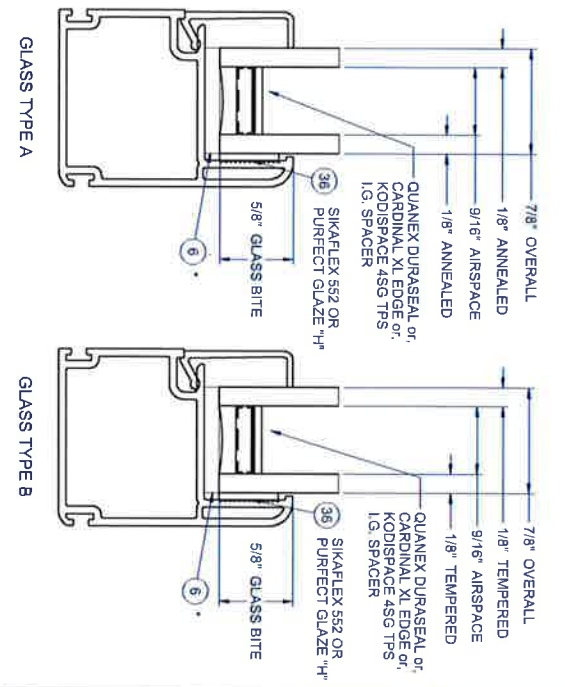
Unit	Unit Height									
	35 1/2	39 1/2	43 1/2	47 1/2	51 1/2	55 1/2	59 1/2	63	67	71
Width	+50/-75	+50/-75	+50/-75	+50/-75	+50/-75	+50/-75	+50/-75	+50/-75	+50/-75	+50/-75
39 1/2	+50/-75	+50/-75	+50/-75	+50/-75	+50/-75	+50/-75	+50/-75	+50/-75	+50/-75	+50/-75
43 1/2	+50/-75	+50/-75	+50/-75	+50/-75	+50/-75	+50/-75	+50/-75	+50/-75	+50/-75	+50/-75
47 1/2	+50/-75	+50/-75	+50/-75	+50/-75	+50/-75	+50/-75	+50/-75	+50/-75	+50/-75	+50/-75
51 1/2	+50/-75	+50/-75	+50/-75	+50/-75	+50/-75	+50/-75	+50/-75	+50/-75	+50/-75	+50/-75
55 1/2	+50/-75	+50/-75	+50/-75	+50/-75	+50/-75	+50/-75	+50/-75	+50/-75	+50/-75	+50/-75
59 1/2	+50/-75	+50/-75	+50/-75	+50/-75	+50/-75	+50/-75	+50/-75	+50/-75	+50/-75	+50/-75
63 1/2	+50/-75	+50/-75	+50/-75	+50/-75	+50/-75	+50/-75	+50/-75	+50/-75	+50/-75	+50/-75
67 1/2	+50/-75	+50/-75	+50/-75	+50/-75	+50/-75	+50/-75	+50/-75	+50/-75	+50/-75	+50/-75
71 1/2	+50/-75	+50/-75	+50/-75	+50/-75	+50/-75	+50/-75	+50/-75	+50/-75	+50/-75	+50/-75
74	+50/-75	+50/-75	+50/-75	+50/-75	+50/-75	+50/-75	+50/-75	+50/-75	+50/-75	+50/-75

FLANGE WINDOW WITH 2011 MTG RAIL REINF. DESIGN PRESSURES FOR EQUAL SPLIT "X/X" WITH GLASS TYPES C OR D

Unit	Unit Height									
	35 1/2	39 1/2	43 1/2	47 1/2	51 1/2	55 1/2	59 1/2	63 1/2	67 1/2	72
Width	+50/-75	+50/-75	+50/-75	+50/-75	+50/-75	+50/-75	+50/-75	+50/-75	+50/-75	+50/-75
39 1/2	+50/-75	+50/-75	+50/-75	+50/-75	+50/-75	+50/-75	+50/-75	+50/-75	+50/-75	+50/-75
43 1/2	+50/-75	+50/-75	+50/-75	+50/-75	+50/-75	+50/-75	+50/-75	+50/-75	+50/-75	+50/-75
47 1/2	+50/-75	+50/-75	+50/-75	+50/-75	+50/-75	+50/-75	+50/-75	+50/-75	+50/-75	+50/-75
51 1/2	+50/-75	+50/-75	+50/-75	+50/-75	+50/-75	+50/-75	+50/-75	+50/-75	+50/-75	+50/-75
55 1/2	+50/-75	+50/-75	+50/-75	+50/-75	+50/-75	+50/-75	+50/-75	+50/-75	+50/-75	+50/-75
59 1/2	+50/-75	+50/-75	+50/-75	+50/-75	+50/-75	+50/-75	+50/-75	+50/-75	+50/-75	+50/-75
63 1/2	+50/-75	+50/-75	+50/-75	+50/-75	+50/-75	+50/-75	+50/-75	+50/-75	+50/-75	+50/-75
67 1/2	+50/-75	+50/-75	+50/-75	+50/-75	+50/-75	+50/-75	+50/-75	+50/-75	+50/-75	+50/-75
71 1/2	+50/-75	+50/-75	+50/-75	+50/-75	+50/-75	+50/-75	+50/-75	+50/-75	+50/-75	+50/-75
74	+50/-75	+50/-75	+50/-75	+50/-75	+50/-75	+50/-75	+50/-75	+50/-75	+50/-75	+50/-75

FIN WINDOW WITH 2011 MTG RAIL REINF. DESIGN PRESSURES FOR EQUAL SPLIT "X/X" WITH GLASS TYPES C OR D

Unit	Unit Height									
	35 1/2	39 1/2	43 1/2	47 1/2	51 1/2	55 1/2	59 1/2	63 1/2	67 1/2	72
Width	+50/-75	+50/-75	+50/-75	+50/-75	+50/-75	+50/-75	+50/-75	+50/-75	+50/-75	+50/-75
39 1/2	+50/-75	+50/-75	+50/-75	+50/-75	+50/-75	+50/-75	+50/-75	+50/-75	+50/-75	+50/-75
43 1/2	+50/-75	+50/-75	+50/-75	+50/-75	+50/-75	+50/-75	+50/-75	+50/-75	+50/-75	+50/-75
47 1/2	+50/-75	+50/-75	+50/-75	+50/-75	+50/-75	+50/-75	+50/-75	+50/-75	+50/-75	+50/-75
51 1/2	+50/-75	+50/-75	+50/-75	+50/-75	+50/-75	+50/-75	+50/-75	+50/-75	+50/-75	+50/-75
55 1/2	+50/-75	+50/-75	+50/-75	+50/-75	+50/-75	+50/-75	+50/-75	+50/-75	+50/-75	+50/-75
59 1/2	+50/-75	+50/-75	+50/-75	+50/-75	+50/-75	+50/-75	+50/-75	+50/-75	+50/-75	+50/-75
63 1/2	+50/-75	+50/-75	+50/-75	+50/-75	+50/-75	+50/-75	+50/-75	+50/-75	+50/-75	+50/-75
67 1/2	+50/-75	+50/-75	+50/-75	+50/-75	+50/-75	+50/-75	+50/-75	+50/-75	+50/-75	+50/-75
71 1/2	+50/-75	+50/-75	+50/-75	+50/-75	+50/-75	+50/-75	+50/-75	+50/-75	+50/-75	+50/-75
74	+50/-75	+50/-75	+50/-75	+50/-75	+50/-75	+50/-75	+50/-75	+50/-75	+50/-75	+50/-75



NOTE:
IF SIZE INTENDED IS NOT SHOWN, USE NEXT LARGER SIZE.

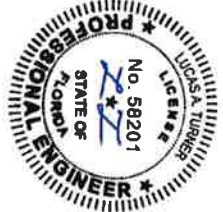
SETTING BLOCKS PER FBC 2411.3.3.1

Custom WINDOW SYSTEMS
 1900 SW 44TH AVE
 OCALA, FLORIDA 34474
 WWW.CWS.CC

620 PVC HORIZ. SLIDER NON-IMPACT

PROPRIETARY AND CONFIDENTIAL

THE INFORMATION CONTAINED IN THIS DRAWING IS THE SOLE PROPERTY OF CUSTOM WINDOW SYSTEMS, INC. ANY REPRODUCTION IN PART OR AS A WHOLE WITHOUT THE WRITTEN PERMISSION OF CUSTOM WINDOW SYSTEMS, INC IS PROHIBITED.

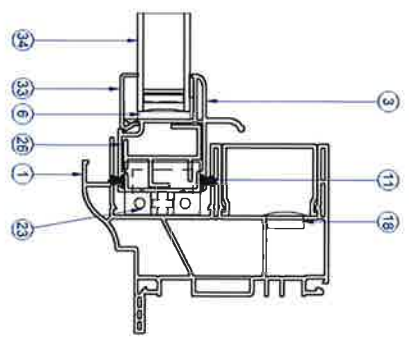
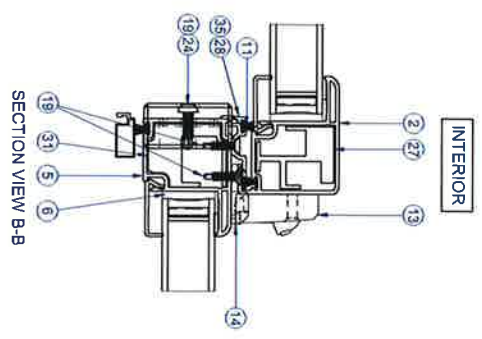
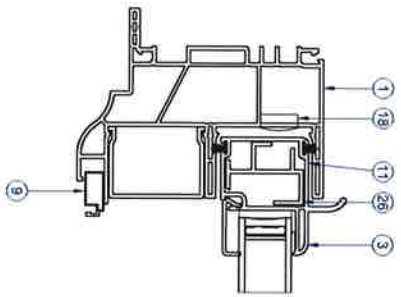
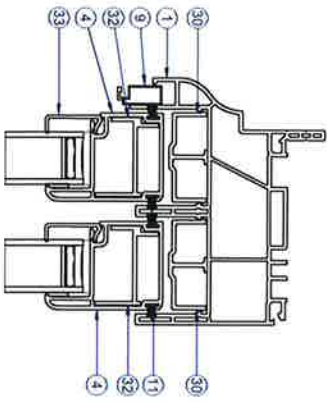


LUCAS A. TURNER, P.E.
 FL PE # 58201
 2428 Old Natchez Trc Tn
 Camden, TN 38320
 PH. 941-380-1574

7/23/2020

SHEET DESCRIPTION:
 DESIGN AND PRESSURE CHARTS AND GLAZING DETAILS

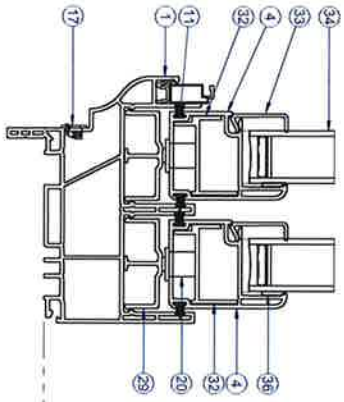
DRAWN BY: EMK DATE: 04/22/15
 DWG #: CWS-1059 REV: A
 SCALE: 1:1 SHEET 2 OF 6



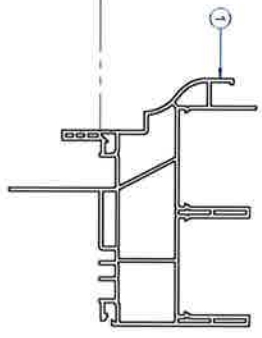
INTERIOR

INTERIOR

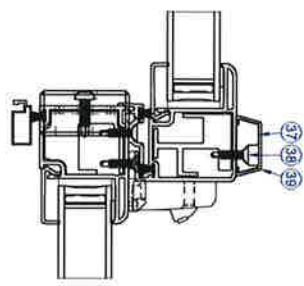
SECTION VIEW B-B



SECTION VIEW A-A



ALTERNATE FIN FRAME



SECTION VIEW C-C
 MTG RAIL REINFORCEMENT (2011) REQUIRED
 ON UNIT HEIGHTS ABOVE 63"

ITEMS NOT SHOWN FOR CLARITY:
 7-8, 10, 12, 15-16 & 21

Custom Window Systems
 1900 SW 44TH AVE
 OCALA, FLORIDA 34474
 WWW.CWS.CO

**620 PVC
 HORIZ. SLIDER
 NON-IMPACT**

PROPRIETARY AND CONFIDENTIAL
 THE INFORMATION CONTAINED IN THIS DRAWING IS THE SOLE PROPERTY OF CUSTOM WINDOW SYSTEMS, INC. ANY REPRODUCTION IN PART OR AS A WHOLE WITHOUT THE WRITTEN PERMISSION OF CUSTOM WINDOW SYSTEMS, INC IS PROHIBITED.

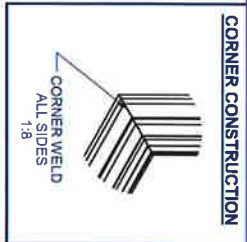
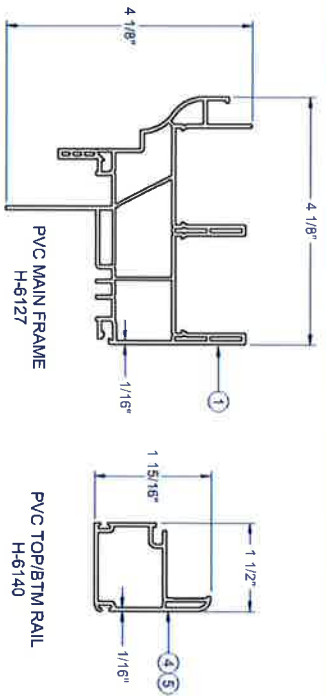


7/23/2020

LUCAS A. TURNER, P.E.
 FL PE # 58201
 2428 Old Natchez Trc Trl
 Camden, TN 38320
 PH. 941-380-1574

SECTION DESCRIPTION:	
SECTION VIEWS	
DRAWN BY:	DATE:
EMK	04/22/15
DWG #:	REV:
CWS-1059	A
SCALE:	SHEET
1:2	3 OF 6

PARTS LIST		
ITEM	PART DESCRIPTION	MATERIAL
1	H-6127 MAIN FRAME	PVC
2	H-6135 SASH INTERLOCK RAIL, INT. PANEL	PVC
3	H-6139 SASH DRAW RAIL	PVC
4	H-6140 SASH TOP/BTM RAIL	PVC
5	H-6140 SASH INTERLOCK RAIL, EXT. PANEL	PVC
6	P-5615 SETTING BLOCK, 1/8" x 7/8" x 2"	PVC
7	P-3029 SCREEN LIFT TABS	STEEL
8	P-3033 SCREEN SPRINGS	STEEL
9	P-3218 SCREEN FRAME	STEEL
10	P-3228 SCREEN SPLINE	ALUM
11	P-3305 WTSP., 0.187" x 0.270" SOFT FIN	STEEL
12	P-3511 #8-18 x 0.625" PN PH TEK #2 POINT ZP	STEEL
13	P-3783 IMPACT SASH LOCK	STEEL
14	P-3784 KEEPER	STEEL
15	P-4146 #8-18 x 0.750" FH PH #2 POINT TEK ZP	STEEL
16	P-4754 SCREEN CORNER KEY	NYLON
17	P-5420 WEEP COVER ASSY	NYLON
18	P-5588 HOLE PLUG	NYLON
19	P-5423 #8-18 x 0.500" PN PH TEK #2 POINT ZP	STEEL
20	P-5428 ROLLER ASSY	STEEL
24	P-5441 L BLOCK	NYLON
26	S-2004 REINF., SIDE RAIL	ALUM
27	S-2005 REINF., MEETING RAIL, INT. PANEL	ALUM
28	S-2029 INTERLOCK ADAPTOR	ALUM
29	S-2030 ROLLER TRACK	ALUM
30	S-2030 ANTI LIFT FILLER	ALUM
31	S-2043 REINF., MEETING RAIL, EXT. PANEL	ALUM
32	S-2044 REINF., TOP/BOTTOM RAIL	ALUM
33	S-6141 0.875" GLAZING BEAD	PVC
34	GLASS (SEE SHEET 2)	
35	DOW CORNING 1199	SILICONE
36	PURECT GLAZE "H", SIKAFLEX S52	ALUM
37	S-2011 REINF., EXTERNAL	ALUM
38	P-3515 #8 x 5/8" FH FLAT WHITE SMS	STEEL
39	P-5400 COVER, EXT. REINF.	PVC



Custom Window Systems, Inc.
 1900 SW 44TH AVE.
 OCALA, FLORIDA 34474
 WWW.CWS.CC

**620 PVC
 HORIZ. SLIDER
 NON-IMPACT**

PROPRIETARY AND CONFIDENTIAL

THE INFORMATION CONTAINED IN THIS DRAWING IS THE SOLE PROPERTY OF CUSTOM WINDOW SYSTEMS, INC. ANY REPRODUCTION IN PART OR AS A WHOLE WITHOUT THE WRITTEN PERMISSION OF CUSTOM WINDOW SYSTEMS, INC IS PROHIBITED.



LUCAS A. TURNER, P.E.
 FL PE #58201
 2428 Old Natchez Trl
 Camden, TN 38320
 PH. 941-380-1574

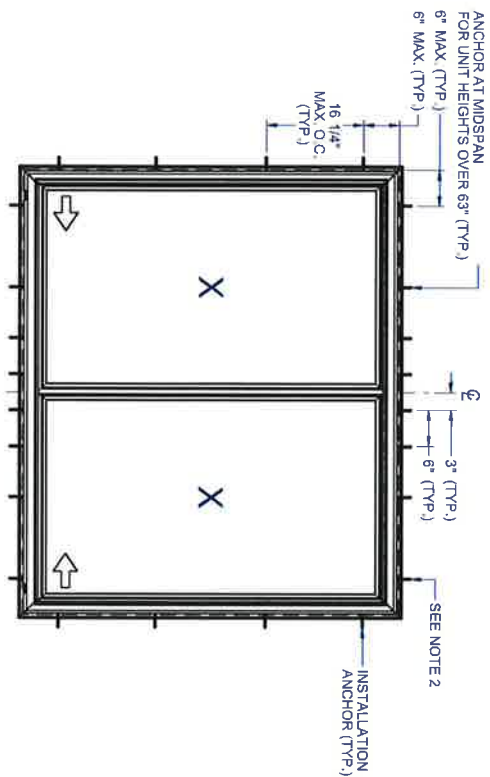
7/23/2020

SHEET DESCRIPTION:

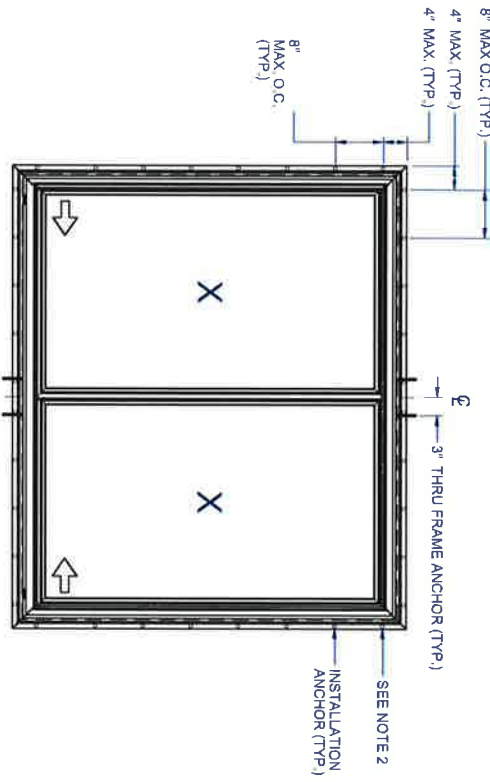
DRAWN BY: EMK DATE: 04/22/15
 DWG #: CWS-1059 REV.: A
 SCALE: 1:2 SHEET 4 OF 6

LINE ITEMS NOT USED:
 Z1-22, 25

NOTE: ALL ALUMINUM EXTRUSIONS ARE 6063-T6 UNLESS OTHERWISE NOTED.



ANCHOR LAYOUT - (FLANGE)



ANCHOR LAYOUT - (FIN)
NOTE THRU FRAME ANCHORS @ MTG RAIL

NOTES:

1. INSTALL ONE ANCHOR AT EACH INSTALLATION LOCATION. SILL ANCHOR SPACING SAME AS HEAD.
2. SHIM AS REQ AT EACH INSTALLATION ANCHOR USING LOAD BEARING SHIMS. MAX. ALLOWABLE SHIM STACK TO BE 1/4". USE SHIMS WHERE SPACE GREATER THAN 1/16" IS PRESENT. LOAD BEARING SHIMS SHALL BE CONSTRUCTED OF HIGH DENSITY PLASTIC OR BETTER. WOOD SHIMS ARE NOT ALLOWED.
3. ANCHOR TYPE, SIZE, SPACING AND EMBEDMENT SHALL BE AS SPECIFIED IN THESE DRAWINGS. SEE TABLE 1, SHEET 6.
4. ALL INSTALLATION ANCHORS MUST BE MADE OF OR PROTECTED WITH A CORROSION RESISTANT MATERIAL OR COATING. DISSIMILAR METALS OR MATERIALS IN CONTACT WITH PRESSURE TREATED WOOD MUST BE PROTECTED TO PREVENT REACTION.
5. INSTALLATION ANCHORS SHALL BE IN ACCORDANCE WITH ANCHOR MANUFACTURERS INSTALLATION INSTRUCTIONS, AND ANCHORS SHALL NOT BE USED IN SUBSTRATES WITH STRENGTHS LESS THAN THE MINIMUM SPECIFIED IN TABLE 1, SHEET 6.
6. ANCHOR EMBEDMENT TO SUBSTRATE SHALL BE BEYOND WALL DRESSING OR STUCCO. FOR CONCRETE/CMU OPENINGS, EMBEDMENT SHALL BE BEYOND WOOD BUCKS. IF USED, INTO SUBSTRATE - 1X BUCKS ARE OPTIONAL.
7. A MINIMUM CENTER-TO-CENTER SPACING SHALL BE MAINTAINED BETWEEN ALL FASTENERS: 3" FOR MASONRY, 1" FOR WOOD AND METAL.
8. WOOD OR MASONRY OPENINGS, BUCKS AND BUCK FASTENERS SHALL BE PROPERLY DESIGNED BY THE ARCHITECT OR ENGINEER OF RECORD AND INSTALLED TO TRANSFER WIND LOADS TO THE STRUCTURE. SUBSTRATES SHALL MEET THE MINIMUM STRENGTH REQUIREMENTS AS SHOWN IN TABLE 1, SHEET 6. CONCRETE AND MASONRY SUBSTRATES MAY NOT BE CRACKED.
9. SEALING AND FLASHING STRATEGIES FOR OVERALL WATER RESISTANCE OF INSTALLATION SHALL BE DONE BY OTHERS FOLLOWING THE CURRENT VERSION OF THE REFERENCE DOCUMENTS:
 FMAAAMA 100(FIN WINDOWS), FMAAAMA 200(FLANGE WINDOWS), FMAAWDMA 250(BOX WINDOWS), FMAAWDMA 300(EXTERIOR DOORS)

Custom
WINDOW SYSTEMS

1900 SW 44TH AVE.
OCALA, FLORIDA 34474
WWW.CWS.CO

**620 PVC
HORIZ. SLIDER
NON-IMPACT**

PROPRIETARY AND CONFIDENTIAL

THE INFORMATION CONTAINED IN THIS DRAWING IS THE SOLE PROPERTY OF CUSTOM WINDOW SYSTEMS, INC. ANY REPRODUCTION IN PART OR AS A WHOLE WITHOUT THE WRITTEN PERMISSION OF CUSTOM WINDOW SYSTEMS, INC IS PROHIBITED.



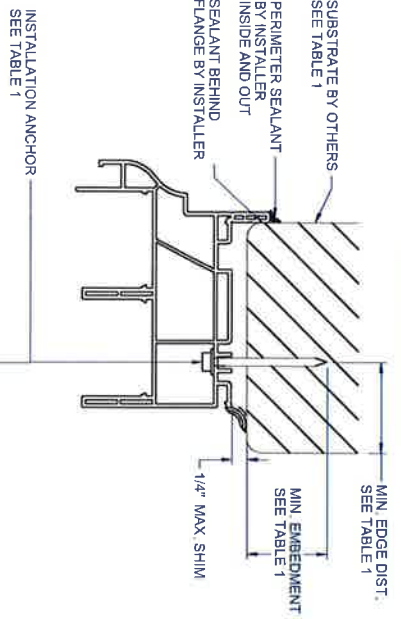
7/29/2020

LUCAS A. TURNER, P.E.
FL PE # 58201
2428 Old Natchez Trl
Camden, TN 38320
PH. 941-380-1574

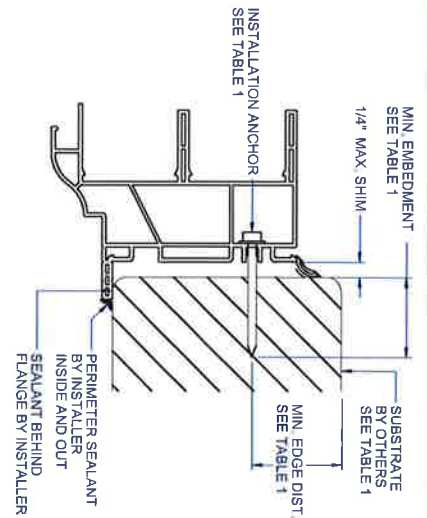
SHEET DESCRIPTION:
ANCHOR SCHEDULE AND NOTES

DRAWN BY:	EMK	DATE:	04/22/15
DWG #:	CWS-1059	REV.:	A
SCALE:	1:20	SHEET	5 OF 6

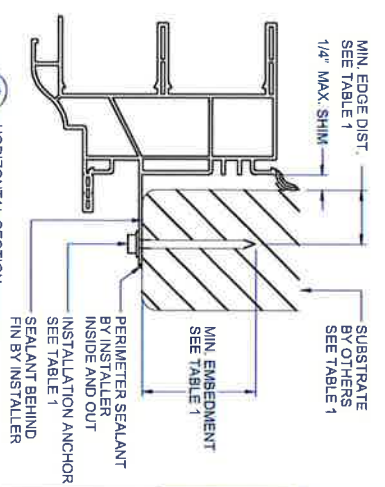
TYPICAL HEAD ANCHORAGE



(B) TYPICAL HORIZONTAL SECTION



(C) TYPICAL FIN ANCHORAGE HEAD AND SILL SIMILAR FOR FIN INSTALLATION



NOTE: ADDITIONAL THRU-FRAME ANCHORS (AS SHOWN IN DET. A06) REQ'D AT MTG RAIL, SEE SHEET 5 ANCHOR LAYOUT.

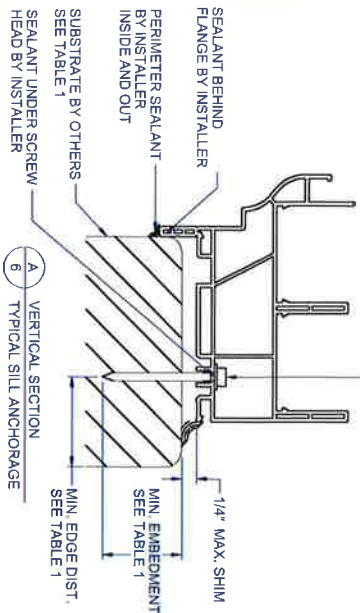
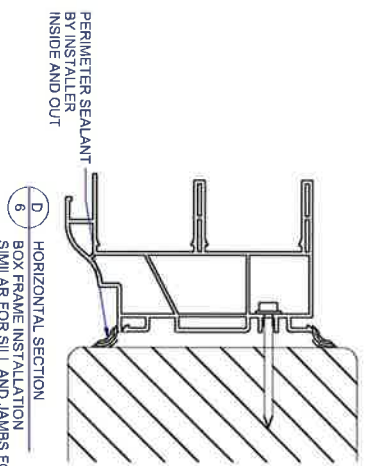


TABLE 1: APPROVED INSTALLATION FASTENERS

FRAME TYPE	SUBSTRATE TYPE	ANCHOR TYPE	MIN. EMBEDMENT	MIN. EDGE DIST.
FLANGE	CONCRETE (2.0 KSI MIN.)	3/16" TW TAPCON	1"	1-1/8"
FLANGE	HOLLOW OR GROUT-FILLED CMU (117 PCF MIN.)	3/16" TW TAPCON	1"	2"
FLANGE	CONCRETE (2.85 KSI MIN.)	3/16" ELCO ULTRACON	1"	1"
FLANGE	HOLLOW or GROUT-FILLED CMU (ASTM C-90)	3/16" ELCO ULTRACON	1-1/4"	2-1/2"
FLANGE	2X MIN. SOUTHERN PINE (G=0.55)	3/16" TW TAPCON OR ELCO ULTRACON	1-3/8"	7/8"
FLANGE	2X MIN. SOUTHERN PINE (G=0.55)	#10 WOOD SCREW	1-3/8"	7/8"
FLANGE	16 GAUGE (0.0607) MIN. STEEL STUD (33 KSI YIELD MIN.)	#10-16 HIT IT Kwik-FLEX OR TW TEKS SELF-DRILLING SCREW	FULL THREAD THRU 0.060"	7/16"
FLANGE	1/8" ALUM. (6063-T5 MIN.) OR 1/8" STEEL (33 KSI MIN.)	#10 GRADE 5 SELF-TAPPING / DRILLING SCREW	FULL THREAD THRU 0.125"	7/16"
FIN	2X MIN. SOUTHERN PINE (G=0.55)	#10 WOOD SCREW	1-1/2"	1/2"



FLANGE REMOVAL NOTE: PARTIALLY OR FULLY REMOVING THE FLANGE UP TO AND INCLUDING A BOX-FRAME APPLICATION IS ACCEPTABLE PROVIDED:

- MIN. 1/4" FILLET OF CONSTRUCTION-GRADE ADHESIVE CAULK IS APPLIED INSIDE AND OUT, FULL PERIMETER, BY INSTALLER.
- PRODUCT ANCHORAGE IS IN ACCORDANCE WITH REQUIREMENTS AS SHOWN FOR FLANGE WINDOWS.

Custom Windows Systems
 1900 SW 44TH AVE.
 OCALA, FLORIDA 34474
 WWW.CWS.CC

620 PVC HORIZ. SLIDER NON-IMPACT

PROPRIETARY AND CONFIDENTIAL
 THE INFORMATION CONTAINED IN THIS DRAWING IS THE SOLE PROPERTY OF CUSTOM WINDOW SYSTEMS, INC. ANY REPRODUCTION IN PART OR AS A WHOLE WITHOUT THE WRITTEN PERMISSION OF CUSTOM WINDOW SYSTEMS, INC IS PROHIBITED.



7/23/2020

LUCAS A. TURNER, P.E.
 FL PE # 58201
 2428 Old Natchez Trc 'Tl
 Camden, TN 38320
 PH. 941-380-1574

SHEET DESCRIPTION:
 INSTALLATION DETAILS

DRAWN BY: EMK DATE: 04/22/15
 DWG #: CWS-1059 REV: A
 SCALE: 1/2 SHEET 6 OF 6



Ron DeSantis, Governor

Halsey Beshears, Secretary



**STATE OF FLORIDA
DEPARTMENT OF BUSINESS AND PROFESSIONAL REGULATION**

CONSTRUCTION INDUSTRY LICENSING BOARD

THE GLASS AND GLAZING CONTRACTOR HEREIN IS CERTIFIED UNDER THE
PROVISIONS OF CHAPTER 489, FLORIDA STATUTES

MEISTER, HOWARD NATHAN

BAXTER WINDOWS AND DOORS LLC
102 DRENNEN ROAD SUITE B11
ORLANDO FL 32806

LICENSE NUMBER: SCC131152146

EXPIRATION DATE: AUGUST 31, 2022

Always verify licenses online at MyFloridaLicense.com



Do not alter this document in any form.

This is your license. It is unlawful for anyone other than the licensee to use this document.

2020 - 2021



Local Business Tax Receipt

(Formerly known as "Business License "
changed per state law HB1269-2006)

Business Name

BAXTER WINDOWS AND DOORS LLC
102 DRENNEN RD STE B-11
ORLANDO, FL 32806

Business Owner

BAXTER WINDOWS AND DOORS LLC

Business Location

102 DRENNEN RD STE B-11
ORLANDO, FL

NOTICE-THIS TAX RECEIPT ONLY EVIDENCES PAYMENT OF THE LOCAL BUSINESS TAX PURSUANT TO CH.205, FLORIDA STATUTES. IT DOES NOT PERMIT THE HOLDER TO OPERATE IN VIOLATION OF ANY CITY, STATE, OR FEDERAL LAW. CITY PERMITTING MUST BE NOTIFIED OF ANY MATERIAL CHANGE TO THE INFORMATION FOUND HEREIN BELOW. THIS RECEIPT DOES NOT CONSTITUTE AN ENDORSEMENT OR APPROVAL OF THE HOLDER'S SKILL OR COMPETENCY.

Case Number: BUS-1014653

Issued Date: 09/25/2020

Expiration Date: 09/30/2021

Business type(s):

Description	Year
CONTRA 1524 CONTRACTOR DBPR	2021



Local Business Tax Receipt
City Hall, 400 South Orange Avenue, First Floor
Post Office Box 4990
Orlando, Florida 32802-4990

Phone: 407.246.2204 Fax: 407.246.3420

Email: businesstax@orlando.gov

Prompt! Interactive Voice Response System: 407.246.4444

Visit our website: orlando.gov/permits



JIMMY PATRONIS
CHIEF FINANCIAL OFFICER

**STATE OF FLORIDA
DEPARTMENT OF FINANCIAL SERVICES
DIVISION OF WORKERS' COMPENSATION**

**** CERTIFICATE OF ELECTION TO BE EXEMPT FROM FLORIDA WORKERS' COMPENSATION LAW ****

CONSTRUCTION INDUSTRY EXEMPTION

This certifies that the individual listed below has elected to be exempt from Florida Workers' Compensation law.

EFFECTIVE DATE: 2/10/2021

EXPIRATION DATE: 2/10/2023

PERSON: HOWARD N MEISTER

EMAIL: NATHAN@BAXTERWINDOWSANDDOORS.COM

FEIN: 832279091

BUSINESS NAME AND ADDRESS:

BAXTER WINDOWS AND DOORS LLC

102 DRENNEN RD SUITE B11

ORLANDO, FL 32806

SCOPE OF BUSINESS OR TRADE:

Door and Window Installation
All Types Residential and
Commercial

Carpentry Installation Of
Cabinet Work or Interior Trim

Glazier Away From Shop and
Drivers

IMPORTANT: Pursuant to subsection 440.05(14), F.S., an officer of a corporation who elects exemption from this chapter by filing a certificate of election under this section may not recover benefits or compensation under this chapter. Pursuant to subsection 440.05(12), F.S., Certificates of election to be exempt issued under subsection (3) shall apply only to the corporate officer named on the notice of election to be exempt and apply only within the scope of the business or trade listed on the notice of election to be exempt. Pursuant to subsection 440.05(13), F.S., notices of election to be exempt and certificates of election to be exempt shall be subject to revocation if, at any time after the filing of the notice or the issuance of the certificate, the person named on the notice or certificate no longer meets the requirements of this section for issuance of a certificate. The department shall revoke a certificate at any time for failure of the person named on the certificate to meet the requirements of this section.



CERTIFICATE OF LIABILITY INSURANCE

DATE (MM/DD/YYYY)
03/12/2021

THIS CERTIFICATE IS ISSUED AS A MATTER OF INFORMATION ONLY AND CONFERS NO RIGHTS UPON THE CERTIFICATE HOLDER. THIS CERTIFICATE DOES NOT AFFIRMATIVELY OR NEGATIVELY AMEND, EXTEND OR ALTER THE COVERAGE AFFORDED BY THE POLICIES BELOW. THIS CERTIFICATE OF INSURANCE DOES NOT CONSTITUTE A CONTRACT BETWEEN THE ISSUING INSURER(S), AUTHORIZED REPRESENTATIVE OR PRODUCER, AND THE CERTIFICATE HOLDER.

IMPORTANT: If the certificate holder is an ADDITIONAL INSURED, the policy(ies) must have ADDITIONAL INSURED provisions or be endorsed. If SUBROGATION IS WAIVED, subject to the terms and conditions of the policy, certain policies may require an endorsement. A statement on this certificate does not confer rights to the certificate holder in lieu of such endorsement(s).

PRODUCER Brown & Brown of Florida, Inc. 2290 Lucien Way Suite 400 Maitland FL 32751		CONTACT NAME: Ariell Alibasic PHONE (A/C, No, Ext): (407) 660-8282 FAX (A/C, No): (407) 660-2012 E-MAIL ADDRESS: aalibasic@bborlando.com	
INSURED Baxter Windows and Doors LLC 3305 Bartlett Blvd. Orlando FL 32811		INSURER(S) AFFORDING COVERAGE INSURER A: Ohio Security Ins. Co. NAIC # 24082 INSURER B: INSURER C: INSURER D: INSURER E: INSURER F:	

COVERAGES **CERTIFICATE NUMBER:** CL2092424795 **REVISION NUMBER:**

THIS IS TO CERTIFY THAT THE POLICIES OF INSURANCE LISTED BELOW HAVE BEEN ISSUED TO THE INSURED NAMED ABOVE FOR THE POLICY PERIOD INDICATED. NOTWITHSTANDING ANY REQUIREMENT, TERM OR CONDITION OF ANY CONTRACT OR OTHER DOCUMENT WITH RESPECT TO WHICH THIS CERTIFICATE MAY BE ISSUED OR MAY PERTAIN, THE INSURANCE AFFORDED BY THE POLICIES DESCRIBED HEREIN IS SUBJECT TO ALL THE TERMS, EXCLUSIONS AND CONDITIONS OF SUCH POLICIES. LIMITS SHOWN MAY HAVE BEEN REDUCED BY PAID CLAIMS.

INSR LTR	TYPE OF INSURANCE	ADDL INSD	SUBR WVD	POLICY NUMBER	POLICY EFF (MM/DD/YYYY)	POLICY EXP (MM/DD/YYYY)	LIMITS			
A	<input checked="" type="checkbox"/> COMMERCIAL GENERAL LIABILITY			BLS55794394	11/01/2020	11/01/2021	EACH OCCURRENCE \$ 1,000,000			
	<input type="checkbox"/> CLAIMS-MADE <input checked="" type="checkbox"/> OCCUR						DAMAGE TO RENTED PREMISES (Ea occurrence) \$ 300,000			
	GEN'L AGGREGATE LIMIT APPLIES PER:									MED EXP (Any one person) \$ 15,000
	<input checked="" type="checkbox"/> POLICY <input type="checkbox"/> PRO-JECT <input type="checkbox"/> LOC									PERSONAL & ADV INJURY \$ 1,000,000
	AUTOMOBILE LIABILITY						GENERAL AGGREGATE \$ 2,000,000			
	ANY AUTO OWNED AUTOS ONLY						PRODUCTS - COMP/OP AGG \$ 2,000,000			
	HIRE AUTOS ONLY									
	SCHEDULED AUTOS NON-OWNED AUTOS ONLY									
	UMBRELLA LIAB						COMBINED SINGLE LIMIT (Ea accident) \$			
	EXCESS LIAB						BODILY INJURY (Per person) \$			
	DED						BODILY INJURY (Per accident) \$			
	RETENTION \$						PROPERTY DAMAGE (Per accident) \$			
	WORKERS COMPENSATION AND EMPLOYERS' LIABILITY									
	ANY PROPRIETOR/PARTNER/EXECUTIVE OFFICER/MEMBER EXCLUDED? (Mandatory in NH)						PER STATUTE			
	If yes, describe under DESCRIPTION OF OPERATIONS below						OTH-ER			
							E.L. EACH ACCIDENT \$			
							E.L. DISEASE - EA EMPLOYEE \$			
							E.L. DISEASE - POLICY LIMIT \$			

DESCRIPTION OF OPERATIONS / LOCATIONS / VEHICLES (ACORD 101, Additional Remarks Schedule, may be attached if more space is required)

CERTIFICATE HOLDER

City of Belle Isle
1600 Nela Ave.
Belle Isle FL 32809

CANCELLATION

SHOULD ANY OF THE ABOVE DESCRIBED POLICIES BE CANCELLED BEFORE THE EXPIRATION DATE THEREOF, NOTICE WILL BE DELIVERED IN ACCORDANCE WITH THE POLICY PROVISIONS.

AUTHORIZED REPRESENTATIVE

