



City of Belle Isle Job Site Permit Card WINDOW/DOOR 2021-04-063

Class: Residential

Site Address: 5118 Darden Ave- Belle Isle, FL 32812

Parcel Number: 17-23-30-4385-03-230. Municipality Belle Isle

INSPECTIONS CANNOT BE SCHEDULED IF A NOC IS PENDING FOR THIS PROJECT

Description of Work:

16 Window (s) / Size for Size

=====
Issued: Window World - Tillman, Michael

License # CGC1514205

Contact # 407 389-1400

Payment/ Issued Date & Method: 4 / 26 / 2021

Picked up by _____

Sent by mail to the mailing address

Emailed

Visa Master Card Amex Discover Check / Money Order#

4 7 7 0

BUILDING	INSPECTOR	DATE	COMMENTS
900 In Progress			
905 Window/Door Buck			
910 Final			

PLEASE NOTE

In order to schedule any inspections, the **PERMIT / plans-specs.** must be issued and **POSTED** on the **JOB SITE!**

THIS WILL AVOID ANY FAILED INSPECTIONS & RE-INSPECTION FEES. A permit **expires** in 6 months if approved inspections are not recorded /scheduled within that time frame. You are responsible for scheduling and keeping track all of your inspections -

★ **Inspection requests are to be emailed to BIDScheduling@UniversalEngineering.com; a confirmation email will be sent back to you upon scheduling. Next-Day Inspection requests must be made by 3:00 p.m.**

Please include the following requirements in your request:

- **Project Address**
- **Corresponding Permit Number**
- **Type of Inspection** (Please reference your permit card for inspection codes)
- **Date of Inspection** (If no date is specified, the inspection will be scheduled for the next business day)
- **Contact Name**
- **Contact Phone Number**
- **Gate / Entry code** (If applicable)
- **AM, PM, or Any Time** (We do our best to accommodate time requests but cannot guarantee an exact arrival)

Universal Engineering Sciences - 3532 Maggie Blvd., Orlando, FL 32811407-581-8161
Fax 407-581-0313 www.universalengineering.com

"WARNING TO OWNER: YOUR FAILURE TO RECORD A NOTICE OF COMMENCEMENT MAY RESULT IN YOUR PAYING TWICE FOR IMPROVEMENTS TO YOUR PROPERTY. IF YOU INTEND TO OBTAIN FINANCING, CONSULT WITH YOUR LENDER OR AN ATTORNEY BEFORE RECORDING YOUR NOTICE OF COMMENCEMENT."



City of Belle Isle
 Universal Engineering Sciences 3532 Maggie Blvd., Orlando, FL 32812
 Tel 407-581-8161 * Fax 407-581-0313 * www.universalengineering.com

RECEIVED
 APR 12 2021

APPLICATION FOR SIZE-FOR-SIZE WINDOW / DOOR PERMIT

WARNING TO OWNER: YOUR FAILURE TO RECORD A NOTICE OF COMMENCEMENT MAY RESULT IN YOUR PAYING TWICE FOR IMPROVEMENTS TO YOUR PROPERTY. A NOTICE OF COMMENCEMENT MUST BE RECORDED AND POSTED ON THE JOB SITE BEFORE THE FIRST INSPECTION. IF YOU INTEND TO OBTAIN FINANCING, CONSULT WITH YOUR LENDER OR AN ATTORNEY BEFORE RECORDING YOUR NOTICE OF COMMENCEMENT.

DATE OF APPLICATION: 3/29/21

PERMIT NUMBER 2021-04-063

PLEASE PRINT. The undersigned hereby applies for a permit to make installations as indicated below.

Project Address 5118 Darden Ave Belle Isle, FL 32809 32812
 Property Owner Mary Whipple Phone 407-493-0255
 Property Owner's Mailing Address 5118 Darden Ave City Belle Isle
 State FL Zip Code 32812 Parcel Id Number: 17-23-30-4385-03-230

REQUIRED! To obtain this information, please visit <http://www.ocpafl.org/Searches/ParcelSearch.aspx>

Type of Building: Residential Commercial Other

- REQUIRED! Florida Product Approval Screen Printout from www.floridabuilding.org showing the Code Version
- REQUIRED! Florida Product Approval Installation Instructions from www.floridabuilding.org (not the manufacturer instructions)
- REQUIRED! Copies of your General Liability & Worker's Comp Insurance Certificate & State and Local Licenses

Please indicate the nature of work by completing the information below:

Number of Size-for-Size Windows: 14 Number of Size-for-Size Doors: — Job Valuation: \$14,157

I hereby certify that the above is true and correct to the best of my knowledge and make Application for Permit as outlined above, and if same is granted I agree to conform to all Florida Building Code Regulations and City Ordinances regulating same and in accordance with plans submitted. The issuance of this permit does not grant permission to violate any applicable Town and/or State of Florida codes and/or ordinances. By signing below, I recognize Republic Services is by legal contract the sole authorized provider of garbage, recycling, yard waste, and commercial garbage and construction debris collection and disposal services with the city limits of the City. Contractors, homeowners and commercial businesses may contact Republic Services at 407-293-8000 to setup accounts for Commercial, Construction Roll Off, or other services needed. Rates are fixed by contract and are available at City Hall or from Republic Services. The City enforces the contract through its code enforcement office. Failure to comply will result in a stop work order.

BY SIGNING THIS APPLICATION, YOU ARE CERTIFYING THAT YOU ARE ACTING AS THE OWNER'S AGENT FOR THIS PERMIT.

LICENSE HOLDER SIGNATURE [Signature] LICENSE # CGC 1514205
 LICENSE HOLDER NAME Michael Tillman COMPANY NAME Window World
 Street Address 3882 Center Loop
 City Orlando State FL Zip Code 32808 Phone Number 407-389-1400
 Email Address permit@windowworldorlando.com

Building Official: [Signature] Date 4-13-21
 Verified Contractor's Licenses & Insurance are on file [Signature] Date 4-13-21

USA 4070
 7-26-2021
 Zoning Fee \$ 0
 Permit Fee \$ 81-
 Review Fee \$ 40.50
 3% Florida Surcharge \$ 2 + 2 min
 Total Permit Fee \$ 125.50

THIS INSTRUMENT PREPARED BY:
Name: Window World
Address: 3882 Center Rd
Orlando, FL 32818
State of Florida

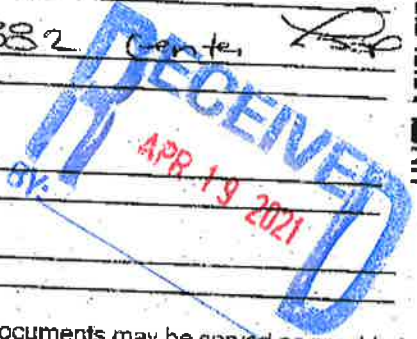
DOCH 20210209662
04/09/2021 02:29:08 PM Page 1 of 1
Rec Fee: \$10.00
Phil Diamond, Comptroller
Orange County, FL
SA - Ret To: WINDOW WORLD OF CENTRAL F

NOTICE OF COMMENCEMENT

Permit Number _____ Parcel ID Number (PID) 17-23-30-4385-03-230

THE UNDERSIGNED hereby gives notice that improvement will be made to certain real property, and in accordance with Chapter 713, Florida Statutes, the following information is provided in this Notice of Commencement.

- DESCRIPTION OF PROPERTY** (legal description of the property, and street address if available):
Dee County Estates Section Six 2/17 Lot 923
- GENERAL DESCRIPTION OF IMPROVEMENT:** Window Replacement
- OWNER INFORMATION:**
Name and address: Mary Whipple 5118 Darden Ave Orlando, FL 32812
Interest in property: _____
Name and address of fee simple titleholder (if other than Owner): _____
- CONTRACTOR:** (name, address and phone number): Window World 3882 Center Rd
Orlando, FL 32818 407.389.1400
- SURETY:**
Name, address and phone number: _____
Amount of bond \$ _____
- LENDER:** (name, address and phone number): _____
- Persons within the State of Florida designated by Owner upon whom notices or other documents may be served as provided by section 713.13(1)(a)7., Florida Statutes:** (name, address and phone number): _____
- In addition to him/herself, Owner designates _____ of _____ to receive a copy of the Lienor's Notice as provided in Section 713.13(1)(b), Florida Statutes.
- Expiration date of notice of commencement (the expiration date is 1 year from the date of recording unless a different date is specified): _____



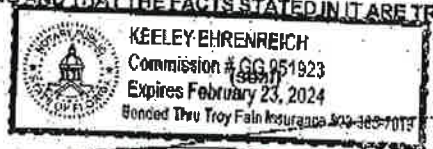
WARNING TO OWNER: ANY PAYMENTS MADE BY THE OWNER AFTER THE EXPIRATION OF THE NOTICE OF COMMENCEMENT ARE CONSIDERED IMPROPER PAYMENTS UNDER CHAPTER 713, PART 1, SECTION 713.13 FLORIDA STATUTES, AND CAN RESULT IN YOUR PAYING TWICE FOR IMPROVEMENTS TO YOUR PROPERTY. A NOTICE OF COMMENCEMENT MUST BE RECORDED AND POSTED ON THE JOB SITE BEFORE THE FIRST INSPECTION. IF YOU INTEND TO OBTAIN FINANCING, CONSULT WITH YOUR LENDER OR AN ATTORNEY BEFORE COMMENCING WORK OR RECORDING YOUR NOTICE OF COMMENCEMENT.

STATE OF FLORIDA
X Mary Whipple
OWNERS SIGNATURE
X Mary Kristen Whipple
OWNERS PRINTED NAME
The foregoing instrument was acknowledged before me this 29 day of March, 2021 by Mary Whipple who is personally known to me and has produced identification Driver License type identification produced # W190-59180-9650 OR who has produced _____

VERIFICATION PURSUANT TO SECTION 92.525, FLORIDA STATUTES.

UNDER PENALTIES OF PERJURY, I DECLARE THAT I HAVE READ THE FOREGOING AND THAT THE FACTS STATED IN IT ARE TRUE TO THE BEST OF MY KNOWLEDGE AND BELIEF.

SIGNATURE OF NATURAL PERSON SIGNING ABOVE
Keeley Ehrenreich
Print, Type or Stamp Commissioned Name of Notary Public



Notary Signature
[Signature]

State of Florida, County of ORANGE
I hereby certify that this is a true copy of the document as filed in the Official Records.
PHIL DIAMOND, COUNTY COMPTROLLER
E.K. [Signature] D.G. [Signature]
DATED: 4-9-21

3887 Center Loop
Orlando, FL 32808
(407) 389-1400 • (407) 389-1402 Fax
windowworldorlando.com



908 North US 1
Ormond Beach, Florida 32174
(386) 763-1402 • (386) 310-8046 Fax
windowworldvolusia.com

2298 US Highway 1
Rockledge, Florida 32955
(321) 637-1533 • (321) 637-1519 Fax
windowworldofspacecoast.com

1-800-NEXT-WINDOW
windowworldorlando.com / CGC 1514205

4105 Highway 297A
Cantonment, Florida 32533
(850) 484-9998 • (850) 484-9914 Fax
windowworldpensacola.com

Name: Kristen Whipple Phone (H): 407-493-6255
Install Address: 5118 Darden Ave. Phone (W):
City, State, Zip: Belle Isle, FL, 32812 Email: m.kwhipple23@gmail.com

DOUBLE HUNG		MISCELLANEOUS	
2	Series 4000 DH Insulated 101UI	\$ 189	378
	Series 4000 DH Insulated 102-114UI	\$ 252	
1	Series 4000 DH Insulated over 114UI	\$ 357	357
	Series 6000 DH Insulated 114UI	\$ 289	
	Series 6000 DH Insulated over 114UI	\$ 394	
SLIDING		J Channel Application \$ 80	
9	2 Lite Slider insulated < 90 UI	\$ 367	3,303
3	2 Lite Slider Insulated > 90 UI	\$ 515	1,635
	3 Lite Slider Insulated < 121 UI	\$ 682	
	3 Lite Slider Insulated > 121 UI	\$ 944	
IMPACT WINDOWS / DOORS		Custom Exterior Cap & Wrap \$ 119	
	Double - Hung	\$	
	2 & 3 Lite slider	\$	
	Fixed Glass	\$	
	Sliding Patio Door	\$	
ACCESSORIES		Removal/ Installation/ Trim Packs \$ 129	
15	Half Screens	\$ 41	
16	Full Screens	\$ 62	930
	Solar Zone Elite Low-E Glass/Argon	\$ 157	2,512
	Tint Gray/Bronze	\$ 73	
	Flat Colonial Grids	\$ 94	
	Contoured Colonial Grids	\$ 104	
	Beige Color	\$ 94	
	Wood Grain, Interior (4000 or 6000)	\$ 136	
	Architectural Exterior Color	\$ 209	
FIXED GLASS		Tempered DH Sash (BSO) (TSO) 7X \$ 62	
	Series 4000 Pic Insulated > 101UI	\$ 367	
1	Series 4000 Pic Insulated > 102 - 120 UI	\$ 409	409
	Series 4000 Pic Insulated > 120 +	\$ 587	
(.85 Multiplier) SPECIALTY		Tempered (Fixed Units) 23 x \$ 13/Sq. Ft. \$ 299	
			Obscured Glass \$ 73
			Engineering Fee \$ 589
			DP50 High Performance upgrade \$ 65
			60/40 Oriel Style \$ 73
			Bucking - per opening \$ 79
			Stucco Cut Outs \$30 per opening \$ 90
			2nd Story Install \$30 p/window/ \$125 p/door
			3 Less than 3 windows \$ 179.00
			3 or more windows \$ 259.00
			Entry Doors \$ 150.00
		PATIO DOORS	
			3' Contemporary 5' Classic 7' French
			Vinyl Sliding Patio Door 5' x 6' 8" \$ 1028
			Vinyl Sliding Patio Door 6' x 6' 8" \$ 1'43
			Vinyl Sliding Patio Door 8' x 6' 8" \$ 1312
			Vinyl Sliding Patio Door 9' x 6' 8" \$ 1689
			Vinyl Sliding Patio Door 12' x 6' 8" \$ 2277
			Vinyl Sliding Patio Door 5' x 8' \$ 1458
			Vinyl Sliding Patio Door 6' x 8' \$ 1731
			Vinyl Sliding Patio Door 8' x 8' \$ 2517
			Vinyl Sliding Patio Door 9' x 8' \$ 2854
			Vinyl Sliding Patio Door 12' x 8' \$ 3329
			Sliding Door Screen \$ 178
			Colonial Grids \$ 220
			Solar Zone Elite Low-E / Argon \$ 339
			Removal & Install \$ 389
			Custom Exterior Trim \$ 179
			Beige Color \$ 304
			Architectural Exterior Color (6'-9') \$ 759
			Specialty Sliding Door
			Blinds 5' - \$675 6' - \$850 8' - \$975 9' - \$1225 12' - \$1500

Customer agrees to make themselves available to the city and/or county inspectors for a final inspection

!! NO EXTRA WORK IF NOT IN WRITING !!

*Received plywood code _____

Please see reverse for additional terms & conditions

St. Jude's Donation \$ _____
Other \$ 13,992
Setup & Disposal Fee \$ \$ 125.00
Permit & Fees \$ \$ 329.00
Total Amount \$ 14,446.26 = 14,157
Custom Order Deposit 50% \$ 7,078.50
Balance Paid to Installer Upon Completion \$ 7,078.50

CHECK RETURN FEE \$59
Buyer agrees that he has read and understands all terms and conditions on front and back of this contract and agrees to every term and condition.

Cesar V. Window World Representative Date 02/25/2021
m.kwhipple Owner Date 2/25/21

WINDOW MEASUREMENT ORDER FORM

NAME: Kristen Whipple # OF STORIES: _____ MEASURED BY: _____ DATE: _____

TYPE OF CONSTRUCTION: _____ TYPE OF WINDOWS: _____ # OF WINDOWS: _____

#	SIZE (WXH)	STORM PANELS	MODEL	OBS	TEMP	GRID	MULL	IN/OUT	RM LOC	DRAWING
1	51.500X37		2LS		NO				BRICK	
2	51.500X49		2LS		NO				BRICK	
3	51.500X37		2LS		NO				BRICK	
4	51.500X37		2LS		NO				BRICK	
5	51.500X37		2LS		NO				BRICK	
6	51.500X49		2LS		NO				BRICK	
7	51.500X49		2LS		NO				BRICK	
8	51.500X37		2LS		NO				BRICK	
9	51.500X37		2LS		NO				BRICK	
10	51.500X37		2LS		NO				BRICK	
11	51.500X37		2LS		NO				BRICK	
12	51.500X49		2LS		NO				BRICK	
13	51.500X49		2LS		NO				BRICK	
14	51.500X37		2LS		NO				BRICK	
15	51.500X37		2LS		NO				BRICK	
16	51.500X49		2LS		NO				BRICK	
17	51.500X37		2LS		NO				BRICK	
18	51.500X37		2LS		NO				BRICK	
19	51.500X37		2LS		NO				BRICK	
20	51.500X37		2LS		NO				BRICK	
21	51.500X37		2LS		NO				BRICK	
22	51.500X37		2LS		NO				BRICK	
23	51.500X37		2LS		NO				BRICK	
24	51.500X37		2LS		NO				BRICK	
25	51.500X37		2LS		NO				BRICK	
26	51.500X37		2LS		NO				BRICK	
27	51.500X37		2LS		NO				BRICK	
28	51.500X37		2LS		NO				BRICK	

TRIM NEEDED: _____ INSTALLERS NOTES: _____

J-CHANNEL: #S _____ COLOR: _____

CAPP & WRAP: #S _____

COLOR: _____

2/15/2021

TEXT AND BUCKING

5118 Darden Ave

Built 1966

Kristen Whipple 407-493-6255

Tues, Feb 16/21

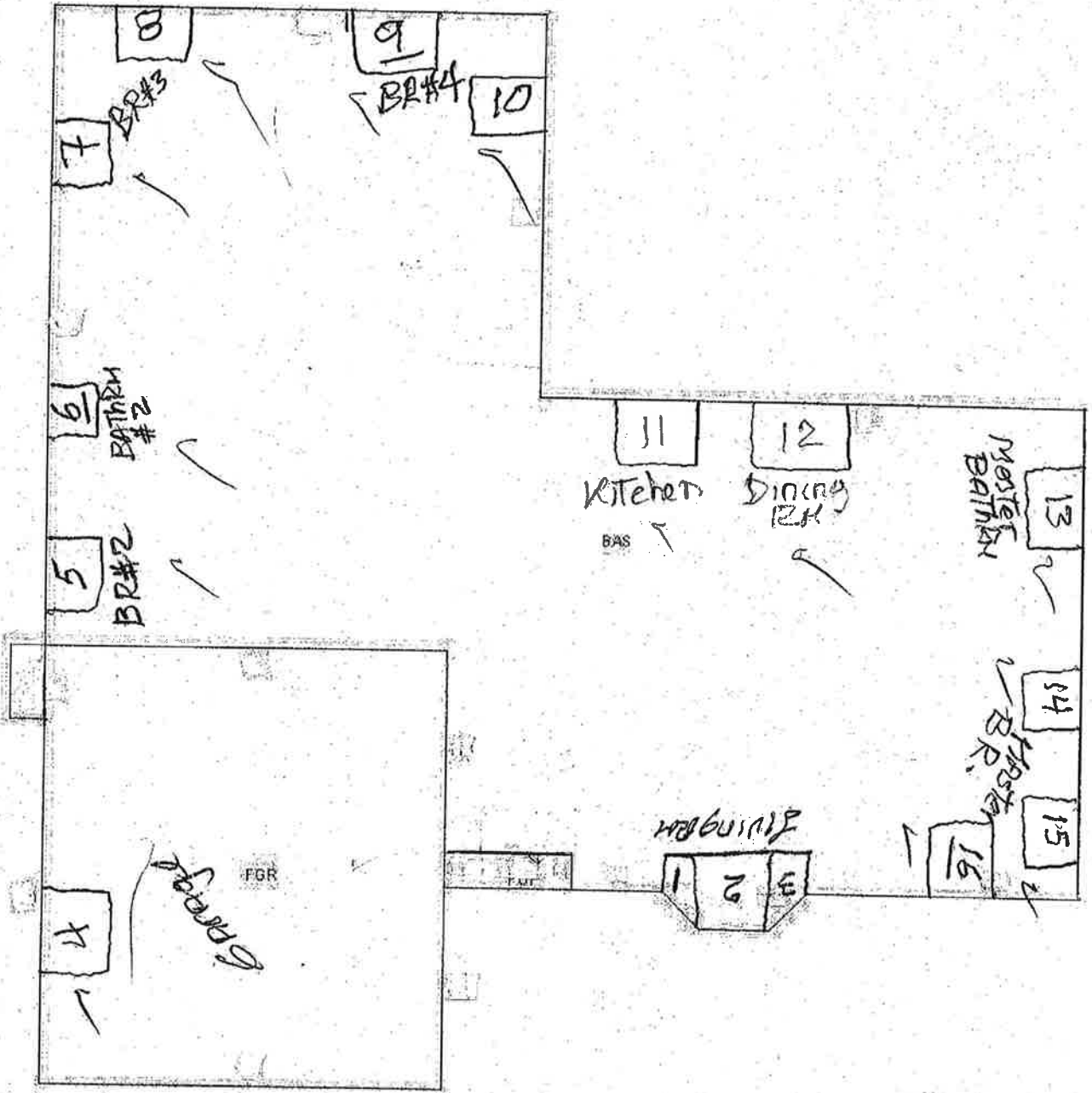
Building Details - 5118 Darden Ave - Building #1

9:30 AM

Belle Isle, FL 32812

mkwhipple23@gmail.com

Courtesy Orange County Property Appraiser



Sub Area

Sqft

Value



Ron DeSantis, Governor

Habey Bushars, Secretary



STATE OF FLORIDA
DEPARTMENT OF BUSINESS AND PROFESSIONAL REGULATION
CONSTRUCTION INDUSTRIES LICENSING BOARD

THE GENERAL CONTRACTORS ARE REGISTERED UNDER THE
PROVISIONS OF CHAPTER 487, PART I, FLORIDA STATUTES



LICENSE NUMBER: CG1914205

EXPIRATION DATE: AUGUST 31, 2022

Always verify licenses online at MyFloridaLicense.com

Do not alter this document in any form.

This is your license. It is unlawful for anyone other than the licensee to use this document





Local Business Tax Receipt

(Formerly known as "Business License"
changed per state law HB1269-2006)

Business Name
WINDOW WORLD OF CENTRAL FLORIDA
INC MICHAEL B TILLMAN CGC1514205
3882 CENTER LOOP
ORLANDO, FL 32808

Business Owner
WINDOW WORLD OF CENTRAL FLORIDA
INC MICHAEL B TILLMAN CGC1514205

Business Location
3882 CENTER LOOP
ORLANDO, FL

NOTICE-THIS TAX RECEIPT ONLY EVIDENCES
PAYMENT OF THE LOCAL BUSINESS TAX PURSUANT
TO CH.205, FLORIDA STATUTES. IT DOES NOT PERMIT
THE HOLDER TO OPERATE IN VIOLATION OF ANY CITY,
STATE, OR FEDERAL LAW. CITY PERMITTING MUST BE
NOTIFIED OF ANY MATERIAL CHANGE TO THE
INFORMATION FOUND HEREIN BELOW. THIS RECEIPT
DOES NOT CONSTITUTE AN ENDORSEMENT OR
APPROVAL OF THE HOLDER'S SKILL OR
COMPETENCY.

Case Number: BUS-0034480

Issued Date: 09/04/2020

Expiration Date: 09/30/2021

Business type(s):

Description	Year
CONTRA 1522 GENERAL CONTRACTOR	2021



Local Business Tax Receipt
City Hall, 400 South Orange Avenue, First Floor
Post Office Box 4990
Orlando, Florida 32802-4990

Phone: 407.246.2204 Fax: 407.246.3420

Email: businessstax@orlando.gov

Prompt Interactive Voice Response System: 407.246.4444
Visit our website: orlando.gov/permits



CERTIFICATE OF LIABILITY INSURANCE

DATE (MM/DD/YYYY)
07/08/2020

THIS CERTIFICATE IS ISSUED AS A MATTER OF INFORMATION ONLY AND CONFERS NO RIGHTS UPON THE CERTIFICATE HOLDER. THIS CERTIFICATE DOES NOT AFFIRMATIVELY OR NEGATIVELY AMEND, EXTEND OR ALTER THE COVERAGE AFFORDED BY THE POLICIES BELOW. THIS CERTIFICATE OF INSURANCE DOES NOT CONSTITUTE A CONTRACT BETWEEN THE ISSUING INSURER(S), AUTHORIZED REPRESENTATIVE OR PRODUCER, AND THE CERTIFICATE HOLDER.

IMPORTANT: If the certificate holder is an ADDITIONAL INSURED, the policy(ies) must have ADDITIONAL INSURED provisions or be endorsed. If SUBROGATION IS WAIVED, subject to the terms and conditions of the policy, certain policies may require an endorsement. A statement on this certificate does not confer rights to the certificate holder in lieu of such endorsement(s).

PRODUCER



MATTHEW F. CARLUCCI STATE FARM INS.
3707 HENDRICKS AVE.
JACKSONVILLE, FL 32207

CONTACT NAME:

PHONE (A/C No. Ext): 904-399-5544

FAX (A/C No.): 904-399-1538

E-MAIL ADDRESS:

INSURED

WINDOW WORLD OF CENTRAL FL, INC.
3882 CENTER LOOP
ORLANDO, FL 32808

INSURER(S) AFFORDING COVERAGE

INSURER	NAIC #
INSURER A: State Farm Florida Insurance Company	10739
INSURER B: State Farm Fire and Casualty Company	26143
INSURER C:	
INSURER D:	
INSURER E:	
INSURER F:	

COVERAGES

CERTIFICATE NUMBER:

REVISION NUMBER:

THIS IS TO CERTIFY THAT THE POLICIES OF INSURANCE LISTED BELOW HAVE BEEN ISSUED TO THE INSURED NAMED ABOVE FOR THE POLICY PERIOD INDICATED. NOTWITHSTANDING ANY REQUIREMENT, TERM OR CONDITION OF ANY CONTRACT OR OTHER DOCUMENT WITH RESPECT TO WHICH THIS CERTIFICATE MAY BE ISSUED OR MAY PERTAIN, THE INSURANCE AFFORDED BY THE POLICIES DESCRIBED HEREIN IS SUBJECT TO ALL THE TERMS, EXCLUSIONS AND CONDITIONS OF SUCH POLICIES. LIMITS SHOWN MAY HAVE BEEN REDUCED BY PAID CLAIMS.

INSR. LTR.	TYPE OF INSURANCE	ADDL. SUBR. INSD. WVD.	POLICY NUMBER	POLICY EFF. (MM/DD/YYYY)	POLICY EXP. (MM/DD/YYYY)	LIMITS
A	<input checked="" type="checkbox"/> COMMERCIAL GENERAL LIABILITY <input type="checkbox"/> CLAIMS-MADE <input checked="" type="checkbox"/> OCCUR GEN'L AGGREGATE LMD APPLIES PER <input type="checkbox"/> POLICY <input type="checkbox"/> PRO. SECT <input type="checkbox"/> LOC <input type="checkbox"/> OTHER		98-BJ-6581-1	07/16/2020	07/16/2021	EACH OCCURRENCE DAMAGE TO RENTED PREMISES (Eq. occ./premise) \$ 2,000,000 MED EXP (Any one person) \$ 300,000 PERSONAL & ADV INJURY \$ 5,000 GENERAL AGGREGATE \$ 2,000,000 PRODUCTS - COMP/OP AGG \$ 2,000,000 \$ COMBINED SINGLE LIMIT (Eq. accident) \$ BODILY INJURY (Per person) \$ BODILY INJURY (Per accident) \$ PROPERTY DAMAGE (Per accident) \$ \$ EACH OCCURRENCE \$ AGGREGATE \$ \$
B	AUTOMOBILE LIABILITY <input type="checkbox"/> ANY AUTO <input type="checkbox"/> OWNED AUTOS ONLY <input type="checkbox"/> SCHEDULED AUTOS NON-OWNED AUTOS ONLY <input type="checkbox"/> HIRED AUTOS ONLY UMBRELLA LIAB <input type="checkbox"/> OCCUR EXCESS LIAB <input type="checkbox"/> CLAIMS-MADE DED. RETENTION \$ WORKERS COMPENSATION AND EMPLOYERS' LIABILITY ANY PROPRIETOR/PARTNER/EXECUTIVE OFFICER/MEMBER EXCLUDED? (Mandatory in NH) If yes, describe under DESCRIPTION OF OPERATIONS below.	N/A	98-CA-T424-B	05/01/2020	05/01/2021	PER STATUTE <input checked="" type="checkbox"/> OTH. ER <input type="checkbox"/> E.L. EACH ACCIDENT \$ 1,000,000 E.L. DISEASE - EA EMPLOYEE \$ 1,000,000 E.L. DISEASE - POLICY LIMIT \$ 1,000,000

DESCRIPTION OF OPERATIONS / LOCATIONS / VEHICLES (ACORD 101, Additional Remarks Schedule, may be attached if more space is required)

CERTIFICATE HOLDER

CITY OF BELLE ISLE
1600 NEL AVE.
BELLE ISLE, FL 32809

CANCELLATION

SHOULD ANY OF THE ABOVE DESCRIBED POLICIES BE CANCELLED BEFORE THE EXPIRATION DATE THEREOF, NOTICE WILL BE DELIVERED IN ACCORDANCE WITH THE POLICY PROVISIONS.

AUTHORIZED REPRESENTATIVE



City of Belle Isle
 Universal Engineering Sciences 3532 Maggie Blvd., Orlando, FL 32811
 Tel 407-581-8161 * Fax 407-581-0313 * www.universalengineering.com

Product Approval Form

DATE: 3.29.21

PERMIT # 2021-04-063

PROJECT ADDRESS 5118 Darden Ave

Belle Isle, FL 32809 32812

As required by Florida Statute 553.842 and Florida Administrative Code 9B-72m, please provide the information and approval numbers of the building components listed below if they will be utilized on the building or structure. FL Approved products are listed online at www.floridabuilding.org or can be obtained from the local product supplier. The following information must be turned in with permit application and available onsite for inspections:

1. This Product Approval Cover Sheet
2. Internet screen from FloridaBuilding.org showing PA#, approval and code edition stamped
3. Manufacturer's Installation details from FloridaBuilding.org and requirements for each product stamped

Product Type	Manufacturer	Model/Series	FL Product Approval #	Product Type	Manufacturer	Model/Series	FL Product Approval #
EXTERIOR DOORS				WALL PANELS			
Swinging				Sliding			
Sliding				Soffits			
Sectional/Rollup				Storefront			
Other				Glass Block			
				Other			
WINDOWS				ROOFING PRODUCTS			
Single/Dbt Hung	✓ AMI	3002/30	FL 1114.21	Asphalt Shingles			
Horizontal Slider	✓ AMI	0002	FL 1114.8	Non Struct Metal			
Casement				Roofing Tiles			
Fixed	✓ AMI	3004	FL 9909.19	Single Ply Roof			
Mullion	✓ AMI	Mull	FL 2078.1	Underlayment			
Skylights				Other			
Other							
STRUCTURAL COMPONENTS				OTHER			
Wood Connectors							
Wood Anchors							
Truss Plates							
Insulation Forms							
Lintels							
Other							

It is the applicant's responsibility to verify that specific products have been installed in accordance with their limitations and with the minimum required design pressures for the structure. Specific compliance will be verified during field inspections.

Applicant Signature [Signature]

Date 3.29.21



Home | Log In | User Registration | Hot Topics | Submit Surcharge | Stats & Facts | Publications | Contact Us | BCIS Site Map | Links | Search



Product Approval
USER: Public User

Product Approval Menu > Product or Application Search > Application List > Application Detail



FL #
Application Type
Code Version
Application Status

FL11141-R21
Revision
2020
Approved

8
027

Comments
Archived

Product Manufacturer
Address/Phone/Email

Associated Materials Inc.
3773 State Road
Cuyahoga Falls, OH 44223
(330) 922-2108
rickw@rwbldgconsultants.com

Authorized Signature

Vivian Wright
rickw@rwbldgconsultants.com

Technical Representative
Address/Phone/Email

Quality Assurance Representative
Address/Phone/Email

Category
Subcategory

Windows
Horizontal Slider

Compliance Method

Evaluation Report from a Florida Registered Architect or a Licensed Florida Professional Engineer
 Evaluation Report - Hardcopy Received

Florida Engineer or Architect Name who developed the Evaluation Report

Lyndon F. Schmidt, P.E.

Florida License

PE-43409

Quality Assurance Entity

Architectural Testing, Inc., an Intertek Company

Quality Assurance Contract Expiration Date

12/31/2023

Validated By

Ryan J. King, P.E.

Validation Checklist - Hardcopy Received

Certificate of Independence

EL11141 R21 COI (e) Certificate of Independence.pdf

Referenced Standard and Year (of Standard)

Standard	Year
AAMA/WDMA/CSA 101/I.S.2/A440	2008
AAMA/WDMA/CSA101/I.S.2/A440	2011
ASTM E1886	2005
ASTM E1996	2011

Equivalence of Product Standards
Certified By

Florida Licensed Professional Engineer or Architect
[FL11141 R21 Equiv of Standards \(e\).pdf](#)

Sections from the Code

Product Approval Method

Method 1 Option D

Date Submitted

10/03/2020

Date Validated

10/05/2020

Date Pending FBC Approval

10/19/2020

Date Approved

12/15/2020

Summary of Products

Go to Page 1

FL #	Model, Number or Name	Description
11141.1	a. Model 0102	Extruded PVC Horizontal Sliding Window with Nailing Fin - (XC or OX Configuration)
Limits of Use Approved for use in HVHZ: No Approved for use outside HVHZ: Yes Impact Resistant: No Design Pressure: N/A Other: This Product is No Longer Offered by Associated Materials, Inc. See [R-19] 11141.1 - 2017 FBC version for Historical Documents regarding this Approval.		Installation Instructions FL11141 R21 II Inst. Product Offering (11141.1).pdf Verified By: Lyndon F. Schmidt, P.E. 43409 Created by Independent Third Party: Yes Evaluation Reports FL11141 R21 AE Eval. Product Offering (11141.1).pdf Created by Independent Third Party: Yes
11141.2	b. Model 0103	Extruded PVC Horizontal Sliding Window with Nailing Fin - (XOX Configuration with Direct Set Center Light)
Limits of Use Approved for use in HVHZ: No Approved for use outside HVHZ: Yes Impact Resistant: No Design Pressure: N/A Other: This Product is No Longer Offered by Associated Materials, Inc. See [R-19] 11141.2 - 2017 FBC version for Historical Documents regarding this Approval.		Installation Instructions FL11141 R21 II Inst. Product Offering (11141.2).pdf Verified By: Lyndon F. Schmidt, P.E. 43409 Created by Independent Third Party: Yes Evaluation Reports FL11141 R21 AE Eval. Product Offering (11141.2).pdf Created by Independent Third Party: Yes
11141.3	c. Model 0109	Extruded PVC Horizontal Sliding Window with Nailing Fin - (XOX Configuration with Direct Set Center Light)
Limits of Use Approved for use in HVHZ: No Approved for use outside HVHZ: Yes Impact Resistant: No Design Pressure: N/A Other: This Product is No Longer Offered by Associated Materials, Inc. See [R-18]11141.3 - 2017 FBC version for Historical Documents regarding this Approval.		Installation Instructions FL11141 R21 II Inst. Product Offering (11141.3).pdf Verified By: Lyndon F. Schmidt, P.E. 43409 Created by Independent Third Party: Yes Evaluation Reports FL11141 R21 AE Eval. Product Offering (11141.3).pdf Created by Independent Third Party: Yes
11141.4	d. Model 0502	Extruded PVC Horizontal Sliding Window - (XX Configuration)
Limits of Use Approved for use in HVHZ: No Approved for use outside HVHZ: Yes Impact Resistant: No Design Pressure: N/A Other: See INST 11141.4 for Design Pressure Ratings, any additional use limitations, installation instructions and product particulars.		Installation Instructions FL11141 R21 II (d) Inst 11141.4.pdf Verified By: Lyndon F. Schmidt, P.E. 43409 Created by Independent Third Party: Yes Evaluation Reports FL11141 R21 AE (d) Eval 11141.4.pdf Created by Independent Third Party: Yes

11141.5	e. Model 0503	Extruded PVC Horizontal Sliding Window - (XOX Configuration)
<p>Limits of Use Approved for use in HVHZ: No Approved for use outside HVHZ: Yes Impact Resistant: No Design Pressure: N/A Other: See INST 11141.5 for Design Pressure Ratings, any additional use limitations, installation instructions and product particulars.</p>		<p>Installation Instructions FL11141 R21 II (d) Inst 11141.5.pdf Verified By: Lyndon F. Schmidt, P.E. 43409 Created by Independent Third Party: Yes Evaluation Reports FL11141 R21 AE (d) Eval 11141.5.pdf Created by Independent Third Party: Yes</p>
11141.5	f. Model 0509	Extruded PVC Horizontal Sliding Window - (XOX Configuration)
<p>Limits of Use Approved for use in HVHZ: No Approved for use outside HVHZ: Yes Impact Resistant: No Design Pressure: N/A Other: See INST 11141.6 for Design Pressure Ratings, any additional use limitations, installation instructions and product particulars.</p>		<p>Installation Instructions FL11141 R21 II (d) Inst 11141.6.pdf Verified By: Lyndon F. Schmidt, P.E. 43409 Created by Independent Third Party: Yes Evaluation Reports FL11141 R21 AE (d) Eval 11141.6.pdf Created by Independent Third Party: Yes</p>
11141.7	g. Model 0502 HP	Extruded PVC Horizontal Sliding Window - (XX Configuration)
<p>Limits of Use Approved for use in HVHZ: No Approved for use outside HVHZ: Yes Impact Resistant: No Design Pressure: N/A Other: See INST 11141.7 for Design Pressure Ratings, any additional use limitations, installation instructions and product particulars.</p>		<p>Installation Instructions FL11141 R21 II (d) Inst 11141.7.pdf Verified By: Lyndon F. Schmidt, P.E. 43409 Created by Independent Third Party: Yes Evaluation Reports FL11141 R21 AE (d) Eval 11141.7.pdf Created by Independent Third Party: Yes</p>
11141.8	h. Model 0602	Extruded PVC Horizontal Sliding Window - (XX Configuration)
<p>Limits of Use Approved for use in HVHZ: No Approved for use outside HVHZ: Yes Impact Resistant: No Design Pressure: N/A Other: See INST 11141.8 for Design Pressure Ratings, any additional use limitations, installation instructions and product particulars.</p>		<p>Installation Instructions FL11141 R21 II (d) Inst 11141.8.pdf Verified By: Lyndon F. Schmidt, P.E. 43409 Created by Independent Third Party: Yes Evaluation Reports FL11141 R21 AE (d) Eval 11141.8.pdf Created by Independent Third Party: Yes</p>
11141.9	i. Model 0603	Extruded PVC Horizontal Sliding Window - (XOX Configuration)
<p>Limits of Use Approved for use in HVHZ: No Approved for use outside HVHZ: Yes Impact Resistant: No Design Pressure: N/A Other: See INST 11141.9 for Design Pressure Ratings, any additional use limitations, installation instructions and product particulars.</p>		<p>Installation Instructions FL11141 R21 II (d) Inst 11141.9.pdf Verified By: Lyndon F. Schmidt, P.E. 43409 Created by Independent Third Party: Yes Evaluation Reports FL11141 R21 AE (d) Eval 11141.9.pdf Created by Independent Third Party: Yes</p>
11141.10	j. Model 0609	Extruded PVC Horizontal Sliding Window - (XOX Configuration)
<p>Limits of Use Approved for use in HVHZ: No Approved for use outside HVHZ: Yes Impact Resistant: No Design Pressure: N/A Other: See INST 11141.10 for Design Pressure Ratings, any additional use limitations, installation instructions and product particulars.</p>		<p>Installation Instructions FL11141 R21 II (d) Inst 11141.10.pdf Verified By: Lyndon F. Schmidt, P.E. 43409 Created by Independent Third Party: Yes Evaluation Reports FL11141 R21 AE (d) Eval 11141.10.pdf Created by Independent Third Party: Yes</p>
11141.11	k. Model 0602 HP	Extruded PVC Horizontal Sliding Window - (XX Configuration)
<p>Limits of Use Approved for use in HVHZ: No Approved for use outside HVHZ: Yes Impact Resistant: No Design Pressure: N/A Other: See INST 11141.11 for Design Pressure Ratings, any additional use limitations, installation instructions and product particulars.</p>		<p>Installation Instructions FL11141 R21 II (d) Inst 11141.11.pdf Verified By: Lyndon F. Schmidt, P.E. 43409 Created by Independent Third Party: Yes Evaluation Reports FL11141 R21 AE (d) Eval 11141.11.pdf Created by Independent Third Party: Yes</p>

particulars.		
11141.12	l. Model 0702	Extruded PVC Horizontal Sliding Window - (XO or OX Configurations)
Limits of Use Approved for use in HVHZ: No Approved for use outside HVHZ: Yes Impact Resistant: No Design Pressure: N/A Other: See INST 11141.12 for Design Pressure Ratings, any additional use limitations, installation instructions and product particulars.		Installation Instructions FI11141_R21_U(d)Inst11141.12.pdf Verified By: Lyndon F. Schmidt, P.E. 43409 Created by Independent Third Party: Yes Evaluation Reports FI11141_R21_AE(d)Eval11141.12.pdf Created by Independent Third Party: Yes
11141.13	m. Model 0703	Extruded PVC Horizontal Sliding Window - (XOX Configuration with Direct Set Center Light)
Limits of Use Approved for use in HVHZ: No Approved for use outside HVHZ: Yes Impact Resistant: No Design Pressure: N/A Other: See INST 11141.13 for Design Pressure Ratings, any additional use limitations, installation instructions and product particulars.		Installation Instructions FI11141_R21_U(d)Inst11141.13.pdf Verified By: Lyndon F. Schmidt, P.E. 43409 Created by Independent Third Party: Yes Evaluation Reports FI11141_R21_AE(d)Eval11141.13.pdf Created by Independent Third Party: Yes
11141.14	n. Model 3102	Extruded PVC Horizontal Sliding Window with Nailing Fin - (XC or OX Configuration)
Limits of Use Approved for use in HVHZ: No Approved for use outside HVHZ: Yes Impact Resistant: No Design Pressure: N/A Other: See INST 11141.14 for Design Pressure Ratings, any additional use limitations, installation instructions and product particulars.		Installation Instructions FI11141_R21_U(d)Inst11141.14.pdf Verified By: Lyndon F. Schmidt, P.E. 43409 Created by Independent Third Party: Yes Evaluation Reports FI11141_R21_AE(d)Eval11141.14.pdf Created by Independent Third Party: Yes
11141.15	o. Model 3102	Extruded PVC Horizontal Sliding Window with Flange (XO or OX Configuration)
Limits of Use Approved for use in HVHZ: No Approved for use outside HVHZ: Yes Impact Resistant: No Design Pressure: N/A Other: See INST 11141.15 for Design Pressure Ratings, any additional use limitations, installation instructions and product particulars.		Installation Instructions FI11141_R21_U(d)Inst11141.15.pdf Verified By: Lyndon F. Schmidt, P.E. 43409 Created by Independent Third Party: Yes Evaluation Reports FI11141_R21_AE(d)Eval11141.15.pdf Created by Independent Third Party: Yes
11141.16	p. Model 3102	Extruded PVC "Impact" Horizontal Sliding Window with Flange - (XO or OX Configuration)
Limits of Use Approved for use in HVHZ: No Approved for use outside HVHZ: Yes Impact Resistant: Yes Design Pressure: N/A Other: See INST 11141.16 for Design Pressure Ratings, any additional use limitations, installation instructions and product particulars.		Installation Instructions FI11141_R21_U(d)Inst11141.16.pdf Verified By: Lyndon F. Schmidt, P.E. 43409 Created by Independent Third Party: Yes Evaluation Reports FI11141_R21_AE(d)Eval11141.16.pdf Created by Independent Third Party: Yes
11141.17	q. Model 3102	Extruded PVC "Impact" Horizontal Sliding Window with Nailing Fin - (XO or OX Configuration)
Limits of Use Approved for use in HVHZ: No Approved for use outside HVHZ: Yes Impact Resistant: Yes Design Pressure: N/A Other: See INST 11141.17 for Design Pressure Ratings, any additional use limitations, installation instructions and product particulars.		Installation Instructions FI11141_R21_U(d)Inst11141.17.pdf Verified By: Lyndon F. Schmidt, P.E. 43409 Created by Independent Third Party: Yes Evaluation Reports FI11141_R21_AE(d)Eval11141.17.pdf Created by Independent Third Party: Yes

11141.18	r. Model 3109	Extruded PVC Horizontal Sliding Window - (XOX Configuration with Direct Set Center Light)
Limits of Use Approved for use in HVHZ: No Approved for use outside HVHZ: Yes Impact Resistant: No Design Pressure: N/A Other: See INST 11141.18 for Design Pressure Ratings, any additional use limitations, installation instructions and product particulars.		Installation Instructions FL11141_R21_II (d) Inst 11141.18.pdf Verified By: Lyndon F. Schmidt, P.E. 43409 Created by Independent Third Party: Yes Evaluation Reports FL11141_R21_AE (d) Eval 11141.18.pdf Created by Independent Third Party: Yes
11141.19	s. Model 3109	Extruded PVC "Impact" Horizontal Sliding Window with Flange - (XOX Configuration with Direct Set Center Light)
Limits of Use Approved for use in HVHZ: No Approved for use outside HVHZ: Yes Impact Resistant: Yes Design Pressure: N/A Other: See INST 11141.19 for Design Pressure Ratings, any additional use limitations, installation instructions and product particulars.		Installation Instructions FL11141_R21_II (d) Inst 11141.19.pdf Verified By: Lyndon F. Schmidt, P.E. 43409 Created by Independent Third Party: Yes Evaluation Reports FL11141_R21_AE (d) Eval 11141.19.pdf Created by Independent Third Party: Yes
11141.20	t. Model 8002/8E02	Extruded PVC Horizontal Sliding Window - (XX Configuration)
Limits of Use Approved for use in HVHZ: No Approved for use outside HVHZ: Yes Impact Resistant: No Design Pressure: N/A Other: See INST 11141.20 for Design Pressure Ratings, any additional use limitations, installation instructions and product particulars.		Installation Instructions FL11141_R21_II (d) Inst 11141.20.pdf Verified By: Lyndon F. Schmidt, P.E. 43409 Created by Independent Third Party: Yes Evaluation Reports FL11141_R21_AE (d) Eval 11141.20.pdf Created by Independent Third Party: Yes

Go to Page

Contact Us :: 2601 Blair Stone Road, Tallahassee FL 32399 Phone: 850-487-1924

The State of Florida is an AA/EEO employer. Copyright 2007-2013 State of Florida. :: [Privacy Statement](#) :: [Accessibility Statement](#) :: [Refund Statement](#)

Under Florida law, email addresses are public records. If you do not want your e-mail address released in response to a public-records request, do not send electronic mail to this entity. Instead, contact the office by phone or by traditional mail. If you have any questions, please contact 850-487-1395. *Pursuant to Section 455.275(1), Florida Statutes, effective October 1, 2012, licensees licensed under Chapter 455, F.S. must provide the Department with an email address if they register one. The emails provided may be used for official communication with the licensee. However email addresses are public record. If you do not wish to supply a personal address, please provide the Department with an email address which can be made available to the public. To determine if you are a licensee under Chapter 455, F.S., please click [here](#).



Product Approval Method

Method 1 Option D

Date Submitted 10/03/2020
 Date Validated 10/05/2020
 Date Pending FBC Approval 10/19/2020
 Date Approved 12/15/2020
 Date Revised 03/28/2021

Summary of Products

Go to Page

Page 2 / 3

FL #	Model, Number or Name	Description
11141.21	u. Model 8003/8E03	Extruded PVC Horizontal Sliding Window - (XOX Configuration)
Limits of Use Approved for use in HVHZ: No Approved for use outside HVHZ: Yes Impact Resistant: No Design Pressure: N/A Other: See INST 11141.21 for Design Pressure Ratings, any additional use limitations, installation instructions and product particulars.		Installation Instructions FL11141_R21_II (d) Inst 11141.21.pdf Verified By: Lyndon F. Schmidt, P.E. 43409 Created by Independent Third Party: Yes Evaluation Reports FL11141_R21_AE (d) Eval 11141.21.pdf Created by Independent Third Party: Yes
11141.22	v. Model 8002/8E02 HP	Extruded PVC Horizontal Sliding Window - (XX Configuration)
Limits of Use Approved for use in HVHZ: No Approved for use outside HVHZ: Yes Impact Resistant: No Design Pressure: N/A Other: See INST 11141.22 for Design Pressure Ratings, any additional use limitations, installation instructions and product particulars.		Installation Instructions FL11141_R21_II (d) Inst 11141.22.pdf Verified By: Lyndon F. Schmidt, P.E. 43409 Created by Independent Third Party: Yes Evaluation Reports FL11141_R21_AE (d) Eval 11141.22.pdf Created by Independent Third Party: Yes
11141.23	w. Model 9002/9E02	Extruded PVC Horizontal Sliding Window - (XX Configuration)
Limits of Use Approved for use in HVHZ: No Approved for use outside HVHZ: Yes Impact Resistant: No Design Pressure: N/A Other: See INST 11141.23 for Design Pressure Ratings, any additional use limitations, installation instructions and product particulars.		Installation Instructions FL11141_R21_II (d) Inst 11141.23.pdf Verified By: Lyndon F. Schmidt, P.E. 43409 Created by Independent Third Party: Yes Evaluation Reports FL11141_R21_AE (d) Eval 11141.23.pdf Created by Independent Third Party: Yes
11141.24	x. Model 9003/9E03	Extruded PVC Horizontal Sliding Window - (XOX Configuration)
Limits of Use Approved for use in HVHZ: No Approved for use outside HVHZ: Yes Impact Resistant: No Design Pressure: N/A Other: See INST 11141.24 for Design Pressure Ratings, any additional use limitations, installation instructions and product particulars.		Installation Instructions FL11141_R21_II (d) Inst 11141.24.pdf Verified By: Lyndon F. Schmidt, P.E. 43409 Created by Independent Third Party: Yes Evaluation Reports FL11141_R21_AE (d) Eval 11141.24.pdf Created by Independent Third Party: Yes
11141.25	y. Model 0109	Extruded PVC Horizontal Sliding Window with Nailing Fin - (XOX Configuration with Direct Set Center Light)
Limits of Use Approved for use in HVHZ: No Approved for use outside HVHZ: Yes Impact Resistant: No Design Pressure: N/A Other: This Product is No Longer Offered by Associated Materials, Inc. See [R-18]11141.25 - 2017 FBC version for Historical Documents regarding this Approval.		Installation Instructions FL11141_R21_II Inst. Product Offering (11141.25).pdf Verified By: Lyndon F. Schmidt, P.E. 43409 Created by Independent Third Party: Yes Evaluation Reports FL11141_R21_AE Eval. Product Offering (11141.25).pdf Created by Independent Third Party: Yes
11141.26	z. Model 0709	Extruded PVC Horizontal Sliding Window - (XOX Configuration with Direct Set Center Light)
Limits of Use Approved for use in HVHZ: No Approved for use outside HVHZ: Yes Impact Resistant: No Design Pressure: N/A Other: See INST 11141.26 for Design Pressure Ratings, any additional use limitations, installation instructions and product particulars.		Installation Instructions FL11141_R21_II (d) Inst 11141.26.pdf Verified By: Lyndon F. Schmidt, P.E. 43409 Created by Independent Third Party: Yes Evaluation Reports FL11141_R21_AE (d) Eval 11141.26.pdf Created by Independent Third Party: Yes

11141.27	za. Model 3002 / 3A02 "ST"	Extruded PVC Horizontal Sliding "Replacement" Window - "Non-Impact" (XX Configuration)
Limits of Use Approved for use in HVHZ: No Approved for use outside HVHZ: Yes Impact Resistant: No Design Pressure: N/A Other: See INST 11141.27 for Design Pressure Ratings, any additional use limitations, installation instructions and product particulars.		Installation Instructions FL11141 R21 II (d) Inst 11141.27.pdf Verified By: Lyndon F. Schmidt, P.E. 43409 Created by Independent Third Party: Yes Evaluation Reports FL11141 R21 AE (d) Eval 11141.27.pdf Created by Independent Third Party: Yes
11141.28	zb. Model 3002 / 3A02 "ST"	Extruded PVC Horizontal Sliding "New Construction" (Nail Fin) Window - "Non-Impact" (XX Configuration)
Limits of Use Approved for use in HVHZ: No Approved for use outside HVHZ: Yes Impact Resistant: No Design Pressure: N/A Other: See INST 11141.28 for Design Pressure Ratings, any additional use limitations, installation instructions and product particulars.		Installation Instructions FL11141 R21 II (d) Inst 11141.28.pdf Verified By: Lyndon F. Schmidt, P.E. 43409 Created by Independent Third Party: Yes Evaluation Reports FL11141 R21 AE (d) Eval 11141.28.pdf Created by Independent Third Party: Yes
11141.29	zc. Model O3A2 / O3S2 "ST"	Extruded PVC Horizontal Sliding "Replacement" Window - "Non-Impact" (XO or OX Configuration)
Limits of Use Approved for use in HVHZ: No Approved for use outside HVHZ: Yes Impact Resistant: No Design Pressure: N/A Other: See INST 11141.29 for Design Pressure Ratings, any additional use limitations, installation instructions and product particulars.		Installation Instructions FL11141 R21 II (d) Inst 11141.29.pdf Verified By: Lyndon F. Schmidt, P.E. 43409 Created by Independent Third Party: Yes Evaluation Reports FL11141 R21 AE (d) Eval 11141.29.pdf Created by Independent Third Party: Yes
11141.30	zd. Model O3A2 / O3S2 "ST"	Extruded PVC Horizontal Sliding "New Construction" (Nail Fin) Window - "Non-Impact" (XO or OX Configuration)
Limits of Use Approved for use in HVHZ: No Approved for use outside HVHZ: Yes Impact Resistant: No Design Pressure: N/A Other: See INST 11141.30 for Design Pressure Ratings, any additional use limitations, installation instructions and product particulars.		Installation Instructions FL11141 R21 II (d) Inst 11141.30.pdf Verified By: Lyndon F. Schmidt, P.E. 43409 Created by Independent Third Party: Yes Evaluation Reports FL11141 R21 AE (d) Eval 11141.30.pdf Created by Independent Third Party: Yes
11141.31	ze. Model O3A9 / O3S9 "ST"	Extruded PVC Horizontal Sliding "Replacement" Window - "Non-Impact" (Equal Light XOX Configuration with Direct Set Center Light)
Limits of Use Approved for use in HVHZ: No Approved for use outside HVHZ: Yes Impact Resistant: No Design Pressure: N/A Other: See INST 11141.31 for Design Pressure Ratings, any additional use limitations, installation instructions and product particulars.		Installation Instructions FL11141 R21 II (d) Inst 11141.31.pdf Verified By: Lyndon F. Schmidt, P.E. 43409 Created by Independent Third Party: Yes Evaluation Reports FL11141 R21 AE (d) Eval 11141.31.pdf Created by Independent Third Party: Yes
11141.32	zf. Model O3A9 / O3S9 "ST"	Extruded PVC Horizontal Sliding "New Construction" (Nail Fin) Window - "Non-Impact" (Equal Light XOX Configuration with Direct Set Center Light)
Limits of Use Approved for use in HVHZ: No Approved for use outside HVHZ: Yes Impact Resistant: No Design Pressure: N/A Other: See INST 11141.32 for Design Pressure Ratings, any additional use limitations, installation instructions and product particulars.		Installation Instructions FL11141 R21 II (d) Inst 11141.32.pdf Verified By: Lyndon F. Schmidt, P.E. 43409 Created by Independent Third Party: Yes Evaluation Reports FL11141 R21 AE (d) Eval 11141.32.pdf Created by Independent Third Party: Yes
11141.33	zg. Model 3003 / 3A03 "ST"	Extruded PVC Horizontal Sliding "Replacement" Window - "Non-Impact" (Un-Equal Light XOX Configuration)
Limits of Use Approved for use in HVHZ: No Approved for use outside HVHZ: Yes Impact Resistant: No Design Pressure: N/A Other: See INST 11141.33 for Design Pressure Ratings, any additional use limitations, installation instructions and product particulars.		Installation Instructions FL11141 R21 II (d) Inst 11141.33.pdf Verified By: Lyndon F. Schmidt, P.E. 43409 Created by Independent Third Party: Yes Evaluation Reports FL11141 R21 AE (d) Eval 11141.33.pdf Created by Independent Third Party: Yes

11141.34	zh. Model 3003 / 3A03 "ST"	Extruded PVC Horizontal Sliding "New Construction" (Nail Fin) Window (Un-Equal Light XOX Configuration)
<p>Limits of Use Approved for use in HVHZ: No Approved for use outside HVHZ: Yes Impact Resistant: No Design Pressure: N/A Other: See INST 11141.34 for Design Pressure Ratings, any additional use limitations, installation instructions and product particulars.</p>		<p>Installation Instructions FL11141 R21 II (d) Inst 11141.34.pdf Verified By: Lyndon F. Schmidt, P.E. 43409 Created by Independent Third Party: Yes Evaluation Reports FL11141 R21 AE (d) Eval 11141.34.pdf Created by Independent Third Party: Yes</p>
11141.35	zi. Model 3009 / 3A09 "ST"	Extruded PVC Horizontal Sliding "Replacement" Window - "Non-Impact" (Equal Light XOX Configuration)
<p>Limits of Use Approved for use in HVHZ: No Approved for use outside HVHZ: Yes Impact Resistant: No Design Pressure: N/A Other: See INST 11141.35 for Design Pressure Ratings, any additional use limitations, installation instructions and product particulars.</p>		<p>Installation Instructions FL11141 R21 II (d) Inst 11141.35.pdf Verified By: Lyndon F. Schmidt, P.E. 43409 Created by Independent Third Party: Yes Evaluation Reports FL11141 R21 AE (d) Eval 11141.35.pdf Created by Independent Third Party: Yes</p>
11141.36	zj. Model 3009 / 3A09 "ST"	Extruded PVC Horizontal Sliding "New Construction" (Nail Fin) Window - "Non-Impact" (Equal Light XOX Configuration)
<p>Limits of Use Approved for use in HVHZ: No Approved for use outside HVHZ: Yes Impact Resistant: No Design Pressure: N/A Other: See INST 11141.36 for Design Pressure Ratings, any additional use limitations, installation instructions and product particulars.</p>		<p>Installation Instructions FL11141 R21 II (d) Inst 11141.36.pdf Verified By: Lyndon F. Schmidt, P.E. 43409 Created by Independent Third Party: Yes Evaluation Reports FL11141 R21 AE (d) Eval 11141.36.pdf Created by Independent Third Party: Yes</p>
11141.37	zk. Model O3A3 / 03S3 "ST"	Extruded PVC Horizontal Sliding "Replacement" Window - "Non-Impact" (Un-Equal Light XOX Configuration with Direct Set Center Light)
<p>Limits of Use Approved for use in HVHZ: No Approved for use outside HVHZ: Yes Impact Resistant: No Design Pressure: N/A Other: See INST 11141.37 for Design Pressure Ratings, any additional use limitations, installation instructions and product particulars.</p>		<p>Installation Instructions FL11141 R21 II (d) Inst 11141.37.pdf Verified By: Lyndon F. Schmidt, P.E. 43409 Created by Independent Third Party: Yes Evaluation Reports FL11141 R21 AE (d) Eval 11141.37.pdf Created by Independent Third Party: Yes</p>
11141.38	zl. Model O3A3 / 03S3 "ST"	Extruded PVC Horizontal Sliding "New Construction" (Nail Fin) Window - "Non-Impact" (Un-Equal Light XOX Configuration with Direct Set Center Light)
<p>Limits of Use Approved for use in HVHZ: No Approved for use outside HVHZ: Yes Impact Resistant: No Design Pressure: N/A Other: See INST 11141.38 for Design Pressure Ratings, any additional use limitations, installation instructions and product particulars.</p>		<p>Installation Instructions FL11141 R21 II (d) Inst 11141.38.pdf Verified By: Lyndon F. Schmidt, P.E. 43409 Created by Independent Third Party: Yes Evaluation Reports FL11141 R21 AE (d) Eval 11141.38.pdf Created by Independent Third Party: Yes</p>
11141.39	zm. Model L202	Extruded PVC Horizontal Sliding "Replacement" Window - "Non-Impact" (XX Configuration)
<p>Limits of Use Approved for use in HVHZ: No Approved for use outside HVHZ: Yes Impact Resistant: No Design Pressure: N/A Other: See INST 11141.39 for Design Pressure Ratings, any additional use limitations, installation instructions and product particulars.</p>		<p>Installation Instructions FL11141 R21 II (d) Inst 11141.39.pdf Verified By: Lyndon F. Schmidt, P.E. 43409 Created by Independent Third Party: Yes Evaluation Reports FL11141 R21 AE (d) Eval 11141.39.pdf Created by Independent Third Party: Yes</p>
11141.40	zn. Model L203	Extruded PVC Horizontal Sliding "Replacement" Window - "Non-Impact" (Un-Equal Light XOX Configuration)
<p>Limits of Use Approved for use in HVHZ: No Approved for use outside HVHZ: Yes Impact Resistant: No Design Pressure: N/A Other: See INST 11141.40 for Design Pressure Ratings, any additional use limitations, installation instructions and product particulars.</p>		<p>Installation Instructions FL11141 R21 II (d) Inst 11141.40.pdf Verified By: Lyndon F. Schmidt, P.E. 43409 Created by Independent Third Party: Yes Evaluation Reports FL11141 R21 AE (d) Eval 11141.40.pdf Created by Independent Third Party: Yes</p>

[Back](#) [Next](#)

[Contact Us](#) :: [2601 Blair Stone Road, Tallahassee FL 32399](#) Phone: 850-487-1824

The State of Florida is an AA/EEO employer. [Copyright 2007-2013 State of Florida](#). :: [Privacy Statement](#) :: [Accessibility Statement](#) :: [Refund Statement](#)

Under Florida law, email addresses are public records. If you do not want your e-mail address released in response to a public-records request, do not send electronic mail to this entity. Instead, contact the office by phone or by traditional mail. If you have any questions, please contact 850.487.1395. *Pursuant to Section 455.275 (1), Florida Statutes, effective October 1, 2012, licensees licensed under Chapter 455, F.S. must provide the Department with an email address if they have one. The emails provided may be used for official communication with the licensee. However email addresses are public record. If you do not wish to supply a personal address, please provide the Department with an email address which can be made available to the public. To determine if you are a licensee under Chapter 455, F.S., please [click here](#).

Product Approval Accepts:



**Credit Card
Safe**



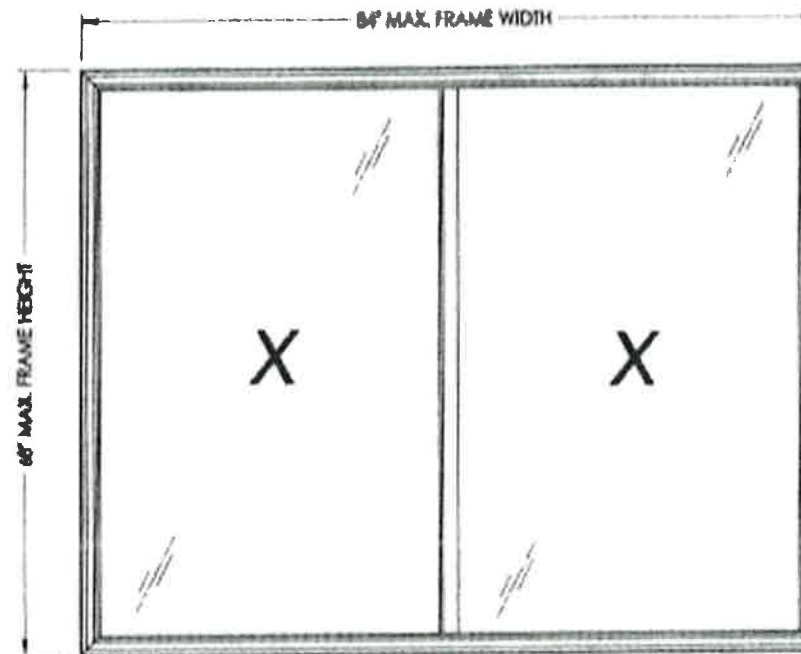
ASSOCIATED MATERIALS
INCORPORATED
3773 STATE ROAD
CUYAHOGA FALLS, OH 44223

MODEL 0602
HORIZONTAL SLIDER
"NON-IMPACT"

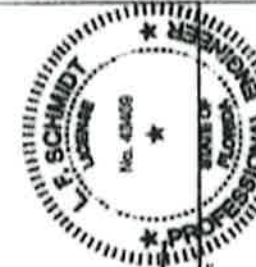
GENERAL NOTES

1. This product has been evaluated and is in compliance with the 7th Edition (2020) Florida Building Code (FBC) structural requirements excluding the "High Velocity Hurricane Zone" (HVHZ).
2. Product anchors shall be as listed and spaced as shown on details. Anchor embedment to base material shall be beyond wall dressing or stucco.
3. When used in areas requiring wind borne debris protection this product is required to be protected with an impact resistant covering that complies with FBC Sections 1609.1.2 & R301.2.1.2.
4. For through the frame anchoring in 2x stud framing construction, anchoring of these units shall be the same as that shown for 2x buck masonry construction.
5. Site conditions that deviate from the details of this drawing require further engineering analysis by a licensed engineer or registered architect.

TABLE OF CONTENTS	
SHEET#	DESCRIPTION
1	Typical elevations, design pressures & general notes
2	Vertical & horizontal cross sections
3	Vertical & horizontal cross sections
4	Buck & frame anchoring
5	Bill of materials, glazing details and components



OVERALL FRAME DIMENSION	OVERALL DAY LIGHT DIMENSION	GLASS TYPE	DESIGN PRESSURE (PSF)	
			POS.	NEG.
84.0" x 68.0"	37.62" x 59.62"	G1	+25.0	-25.0
72.0" x 54.0"	31.62" x 47.62"		+30.0	-35.0
72.0" x 48.0"	31.62" x 39.62"		+30.0	-45.0



September 28, 2020
Documents Prepared by
Lyndon F. Schmidt
P.E. No. 43409

RW
BUILDING CONSULTANTS, INC.
P.O. Box 829, Venice, FL 33595
Phone No.: 813.889.8187
FBC# Registry No. 8813

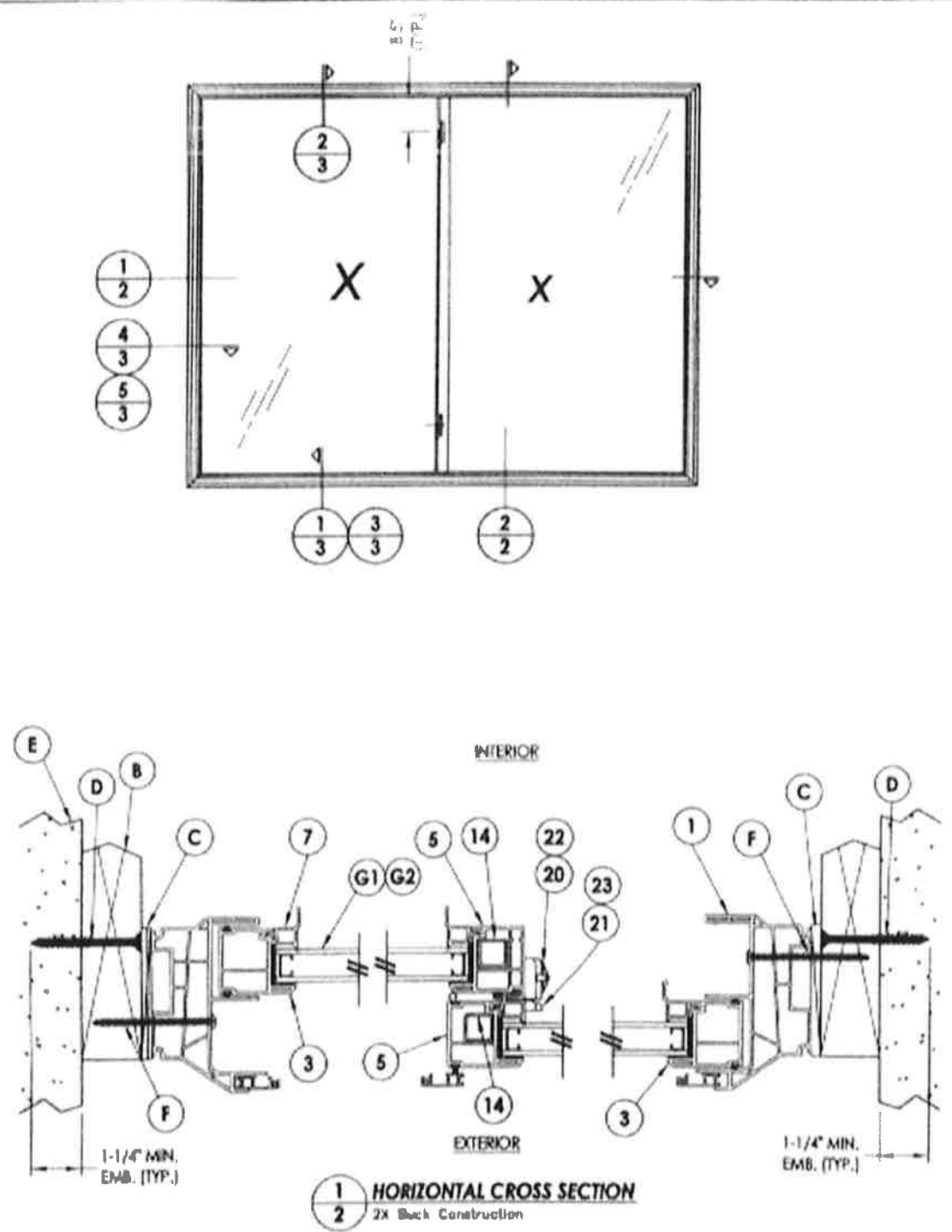
PRODUCT: HORIZONTAL SLIDER
PART OR ASSEMBLY:
TYPICAL ELEVATION, DESIGN PRESSURES & GENERAL NOTES

NO.	DATE	REVISIONS
1	8/18/20	UPDATE TO 7TH ED. (2020) FBC
2	8/20/20	UPDATE TO 8TH ED. (2017) FBC
3	1/27/21	UPDATE TO 8TH ED. (2014) FBC
4	11/13/21	UPDATE FOR 2010 FBC

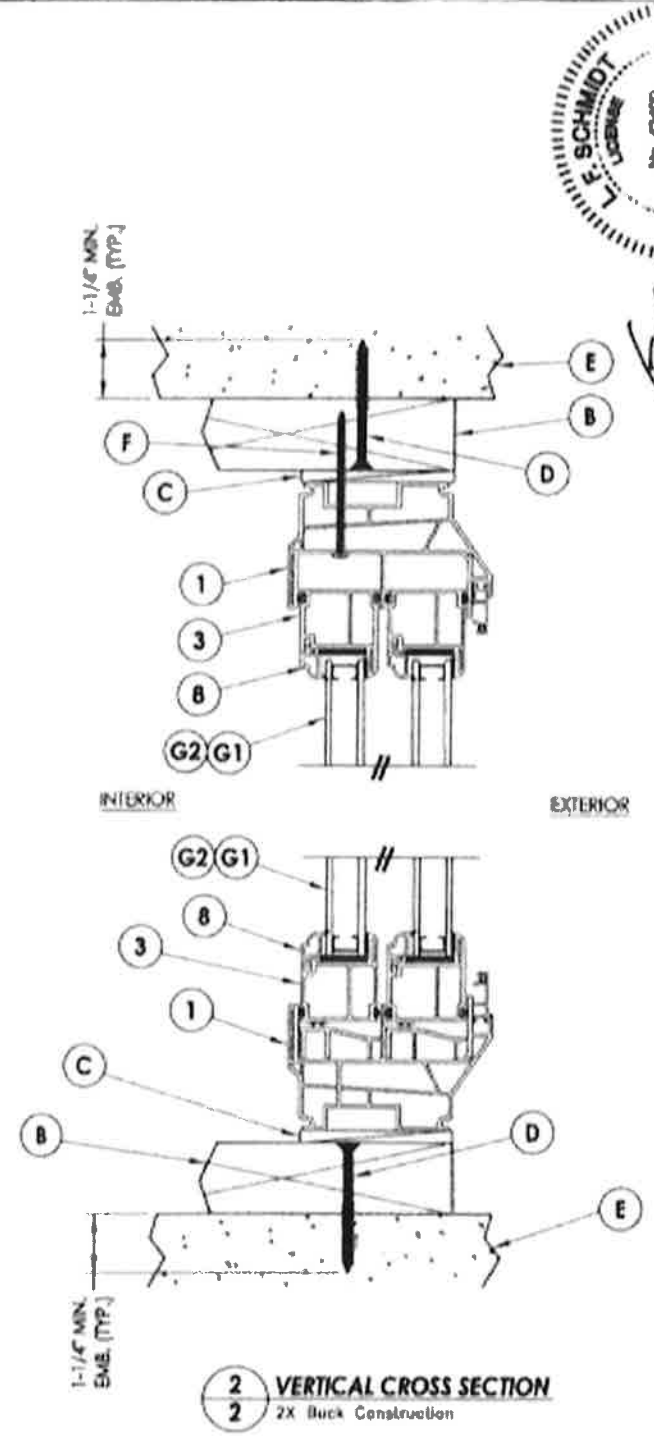
DATE: 12/03/08
SCALE: N.T.S.
DWN. BY: JK
CHK. BY: LFS
DRAWING NO.: FL-11141.B
SHEET: 1 OF 5

© 2011 R. W. BUILDING CONSULTANTS, INC.

© General Associated Permanently - Florida Technical Association, 11161 Wilshire - Imperial Blvd., Century City, CA 90048, 310-418-9448, 112



1 HORIZONTAL CROSS SECTION
2 2X Buck Construction



2 VERTICAL CROSS SECTION
2 2X Buck Construction



September 28, 2020
 Documents Prepared by:
 Lyndon F. Schmitt
 P.E. No. 43408

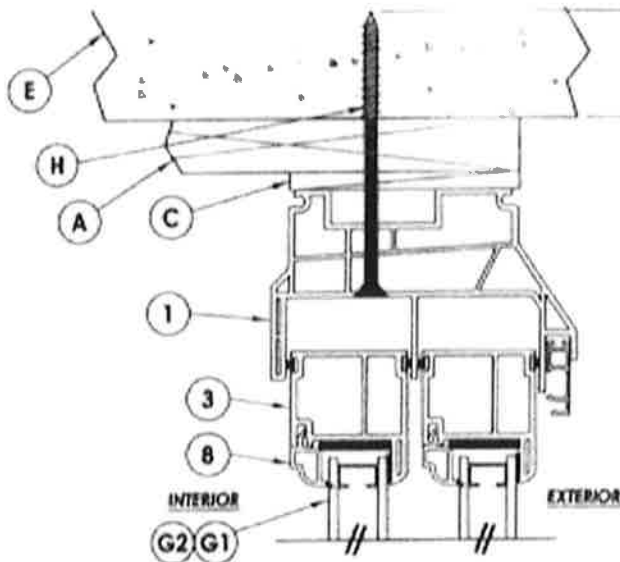
RW BUILDING CONSULTANTS, INC.
 P.O. Box 230, Venice, FL 33595
 Phone No.: 813.858.8187
 FLPE Registry No. 8813

PRODUCT:		HORIZONTAL SLIDER	
PART OR ASSEMBLY:		VERTICAL & HORIZONTAL CROSS SECTIONS	
NO.	DATE	BY	REVISIONS
4	8/19/20	DAC	UPDATE TO 7TH ED. (2020) FBC
3	8/30/17	LFS	UPDATE TO 6TH ED. (2017) FBC
2	1/27/15	JK	UPDATE TO 5TH ED. (2014) FBC
1	11/15/11	KV	UPDATED FOR 2010 FBC

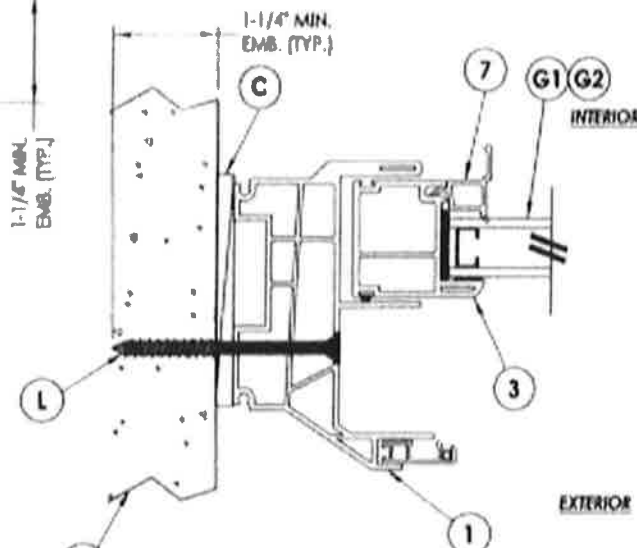
DATE: 12/03/08
 SCALE: N.T.S.
 DWG. BY: JK
 CHK. BY: LFS
 DRAWING NO.: FL-11141.0
 SHEET 2 of 5

© 2011, R.W. Building Consultants, Inc.

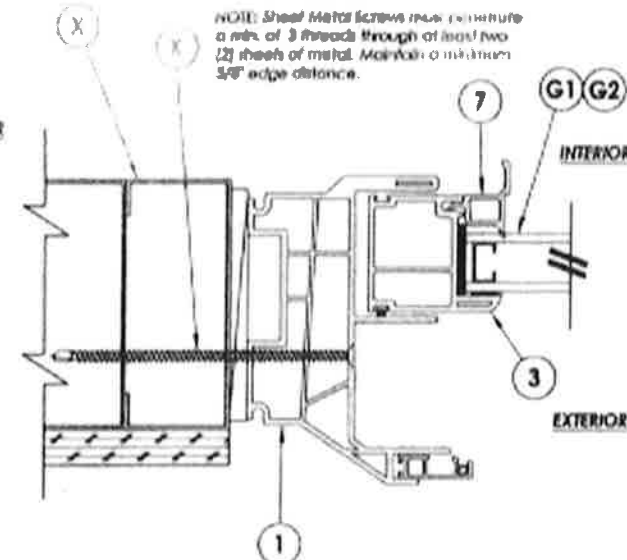
R/C/Client/Associated PERMANENT/FL - Florida Product Approval/FL-11141-11141 Windows - Horizontal Slider - Drawing FL-11141-B-9.dwg, 11-3



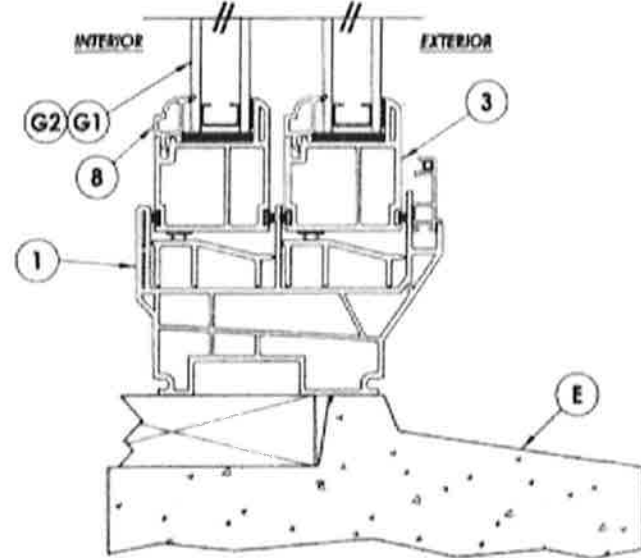
2 VERTICAL CROSS SECTION
3 Shown w/ 1x sub-buck option



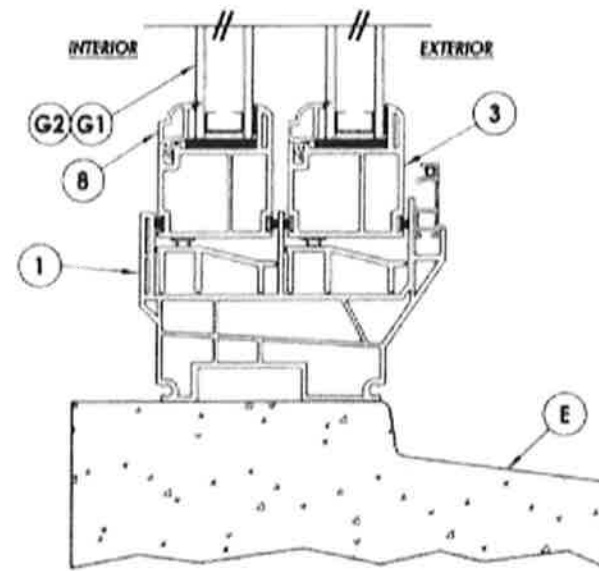
4 HORIZONTAL CROSS SECTION
3 Shown w/ Direct to Masonry option



5 HORIZONTAL CROSS SECTION
3 Shown w/ Steel Stud framing option



1 VERTICAL CROSS SECTION
3 Optional masonry sill



3 VERTICAL CROSS SECTION
3 Optional masonry sill



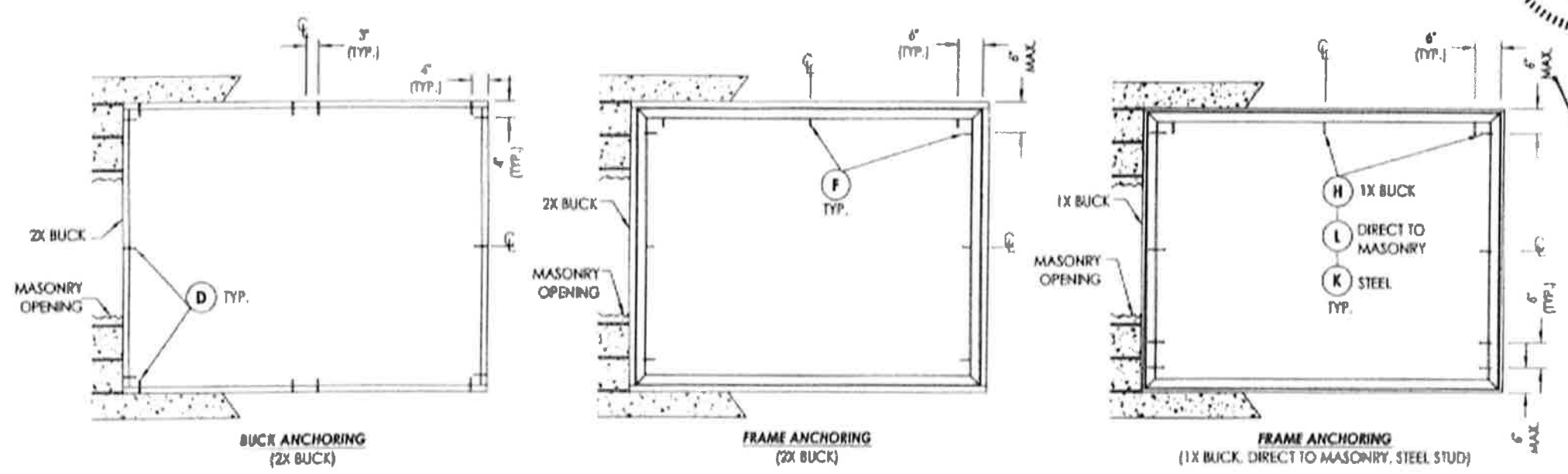
September 28, 2020
 Documents Prepared by:
 Landon F. Subschmidt
 P.E. No. 43408

RW BUILDING CONSULTANTS, INC.
 P.O. Box 230, Vero Beach, FL 33595
 Phone No.: 813.659.9197
 FBPE Registry No. 9873

PRODUCT		HORIZONTAL SLIDER	
PART OR ASSEMBLY		VERTICAL & HORIZONTAL CROSS SECTIONS	
NO.	DATE	BY	REVISIONS
4	8/19/20	DAK	UPDATE TO 7TH ED. (2020) FBC
3	8/30/17	LFS	UPDATE TO 6TH ED. (2017) FBC
2	1/27/15	JK	UPDATE TO 5TH ED. (2014) FBC
1	11/15/11	KV	UPDATED FOR 2010 FBC
DATE: 12/03/08		SCALE: N.T.S.	
DWG. BY: JK		CHK. BY: LFS	
DRAWING NO.: FL-11141.8		SHEET 3 OF 5	

© 2011 R.W. BUILDERS CONSULTANTS, INC.

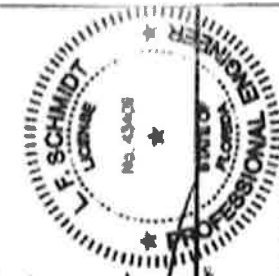
R:\Client\Associated PERMANENT\A - Panels Product Approval\A - 11x41 Windows - Horizontal Slider - Drawings - 11x41 - 2020\A - 11x41.8.dwg, 11-4



- CONCRETE ANCHOR NOTES:**
- Concrete anchor locations at the corners may be adjusted to maintain the min. edge distance to mortar joints.
 - Concrete anchor locations noted as "MAX. ON CENTER" must be adjusted to maintain the min. edge distance to mortar joints, additional concrete anchors may be required to ensure the "MAX. ON CENTER" dimension are not exceeded.
 - Concrete anchor table:

ANCHOR TYPE	ANCHOR SIZE	MIN. EMBEDMENT	MIN. CLEARANCE TO MASONRY EDGE	MIN. CLEARANCE TO ADJACENT ANCHOR
ITW TAPCON®	1/4"	1-1/4"	2"	4"
DeWALT ULTRA-CON®	1/4"	1-1/4"	1"	4"

- WOOD SCREW INSTALLATION NOTES:**
- Maintain a minimum 5/8" edge distance, 1" end distance, & 1" o.c. spacing of wood screws to prevent the splitting of wood.



September 28, 2020
 Documents Prepared by
 Lyndon F. Schubert
 P.E. No. 43408
RW
 BUILDING CONSULTANTS, INC.
 P.O. Box 230, Venice, FL 33596
 Phone No.: 813.668.9187
 FBPE Registry No. 8613

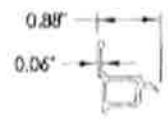
PRODUCT:		HORIZONTAL SLIDER	
PART OR ASSEMBLY:		BUCK & FRAME ANCHORING	
NO.	DATE	REVISIONS	BY
4	8/19/20	UPDATE TO 7TH ED. (2020) FBC	JK
3	8/30/17	UPDATE TO 6TH ED. (2017) FBC	LFS
2	1/27/15	UPDATE TO 5TH ED. (2014) FBC	JK
1	11/13/11	UPDATED FOR 2010 FBC	KV
NO. DATE			
DATE: 12/03/08		SCALE: A7.5	
DWG. BY: JK		CHK. BY: LFS	
DRAWING NO.: FL-11741.8		SHEET 4 OF 5	

© 2011 R.W. BUILDING CONSULTANTS, INC.

R:\Client\Associated PERMANENT\A - Florida Product Approvals\FL-11141-Windows - Horizontal Sliders - Commercial\FL-11141-000001-11141-B-01.dwg, 11.5

BILL OF MATERIALS		
ITEM #	DESCRIPTION	MATERIAL
A	1X BUCK SG ≥ 0.42	WOOD
B	2X BUCK SG ≥ 0.42	WOOD
C	1/4" MAX. SHIM SPACE	-
D	1/4" X 2-3/4" PFH DeWALT OR ITW CONCRETE SCREW	STEEL
E	MASONRY - 3,000 PSI MIN. CONCRETE CONFORMING TO ACI 301 OR HOLLOW BLOCK CONFORMING TO ASTM C90	CONCRETE
F	#10 X 3" PPH SMS (1-1/4" MIN. EMBEDMENT)	STEEL
H	1/4" X 4" PFH DeWALT OR ITW CONCRETE SCREW	STEEL
K	#10 PPH SELF-DRILLING SMS	STEEL
L	1/4" X 3-1/4" PFH DeWALT OR ITW CONCRETE SCREW	STEEL
X	STEEL STUD Min. Thk .033" (ASTM A653 GRADE 33 Fy=33 Ksi Min, Fu=45 Ksi Min)	STEEL
1	EXTRUDED VINYL FRAME *	RIGID PVC
3	EXTRUDED VINYL SASH STILE *	RIGID PVC
5	EXTRUDED VINYL MEETING STILE *	RIGID PVC
7	EXTRUDED VINYL GLAZING BEAD "A" *	RIGID PVC
8	EXTRUDED VINYL GLAZING BEAD "C" *	RIGID PVC
14	SASH REINFORCEMENT (UY0068)	STEEL
17	"U" SHAPED STEEL SPACER	STEEL
18	SETTING BLOCK	-
19	DOUBLE SIDED ADHESIVE GLAZING TAPE	-
20	SWEEP LOCK (ASHLAND # L3100CL1TR)	STEEL
21	KEEPER	STEEL
22	#8 x 1" PFH SCREW	STEEL
23	#6 x 3/4" PFH SCREW	STEEL
32	EXTRUDED VINYL GLAZING BEAD "B" *	RIGID PVC

*THE APPROVED WHITE RIGID PVC EXTERIOR EXTRUSIONS FOR WINDOWS ARE TO BE PRODUCED BY EXTRUDERS LICENSES IN "AAMA CERTIFICATION PROGRAMS FOR RIGID PVC EXTRUSIONS."



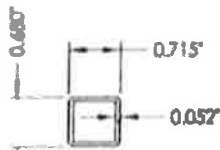
7 GLAZING BEAD "A"



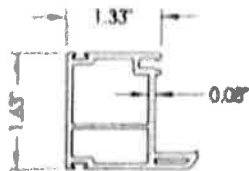
32 GLAZING BEAD "B" MEETING STILE



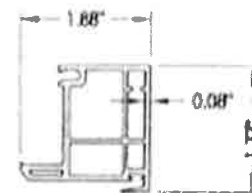
8 GLAZING BEAD "C"



14 LOCK Reinforcement



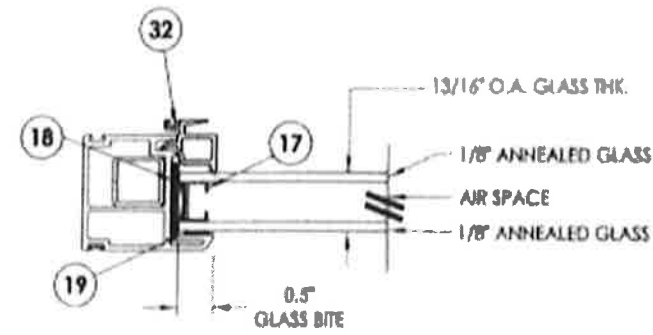
3 SASH



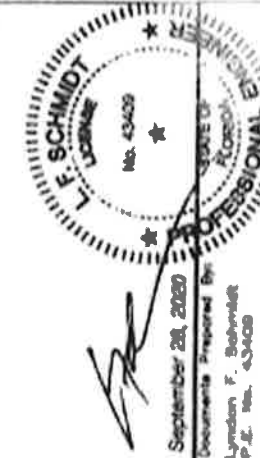
5 MEETING STILE



1 FRAME



G1 GLAZING DETAIL



September 28, 2020
 Documents Prepared By:
 Lyndean F. Babcock
 P.E. No. 43408

RW BUILDING CONSULTANTS, INC.
 P.O. Box 230, Venice, FL 33596
 Phone No.: 813.659.9197
 FBPE Registry No. 0813

PRODUCT:		HORIZONTAL SLIDER	
PART OR ASSEMBLY:		BILL OF MATERIALS, GLAZING DETAILS AND COMPONENTS	
DATE	BY	DATE	BY
12/03/08	LFS		
12/03/08	JK		
12/03/08	JK		
12/03/08	JK		
12/03/08	JK		
NO DATE	NO DATE	NO DATE	NO DATE
REVISIONS			
DATE	BY	DESCRIPTION	
12/03/08	LFS	UPDATE TO 7TH ED. (2020) FBC	
12/03/08	LFS	UPDATE TO 6TH ED. (2017) FBC	
12/03/08	LFS	UPDATE TO 5TH ED. (2014) FBC	
12/03/08	LFS	UPDATE TO 4TH ED. (2010) FBC	
12/03/08	LFS	UPDATE TO 3RD ED. (2006) FBC	
12/03/08	LFS	UPDATE TO 2ND ED. (2002) FBC	
12/03/08	LFS	UPDATE TO 1ST ED. (1998) FBC	
DATE	SCALE		
12/03/08	N.T.S.		
DATE	DWG. BY		
12/03/08	JK		
DATE	CHK. BY		
12/03/08	LFS		
DATE	DRAWING NO.		
12/03/08	FL-11141-B		
DATE	SHEET	OF	
12/03/08	5	OF	5

© 2011 R.W. BUILDING CONSULTANTS, INC.

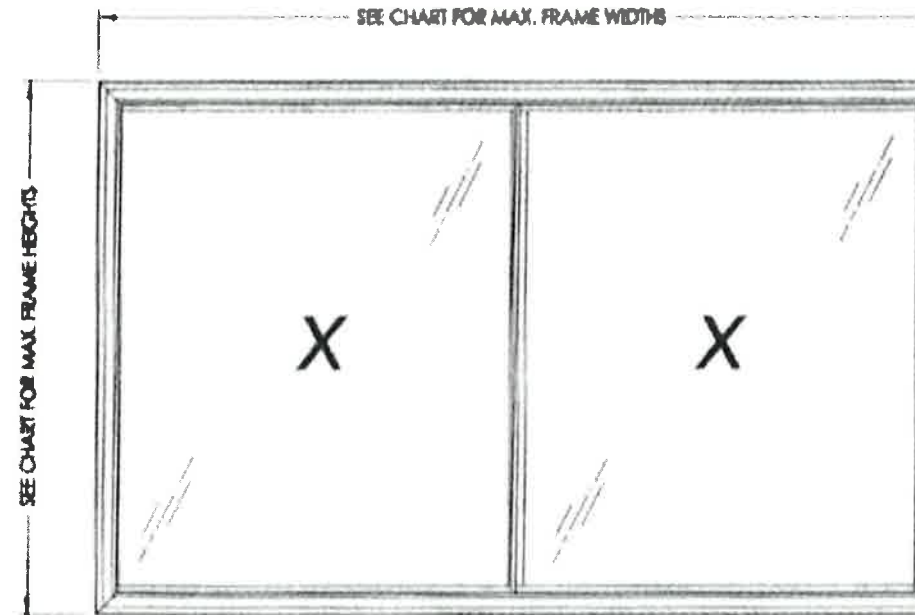
ASSOCIATED MATERIALS
INCORPORATED
3773 STATE ROAD
CUYAHOGA FALLS, OH 44223

MODEL 3002 / 3A02 "ST"
Extruded Vinyl Horizontal
Sliding "Replacement" Window
"NON-IMPACT"

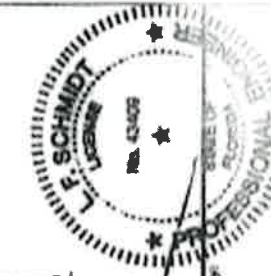
GENERAL NOTES

1. This product has been evaluated and is in compliance with the 7th Edition (2020) Florida Building Code (FBC) structural requirements excluding the "High Velocity Hurricane Zone" (HVHZ).
2. Product anchors shall be as listed and spaced as shown on details. Anchor embedment to base material shall be beyond wall dressing or stucco.
3. When used in areas requiring wind borne debris protection this product is required to be protected with an impact resistant covering that complies with FBC Sections 1609.1.2 & R301.2.1.2.
4. For 2x stud framing construction, anchoring of these units shall be the same as that shown for 2x buck masonry construction.
5. Site conditions that deviate from the details of this drawing require further engineering analysis by a licensed engineer or registered architect.

TABLE OF CONTENTS	
SHEET #	DESCRIPTION
1	Typical elevations, design pressures & general notes
2	Horizontal cross sections
3	Vertical cross sections
4	Buck & frame anchoring
5	Bill of materials, glazing details and components



OVERALL FRAME DIMENSION	OVERALL DAY LIGHT DIMENSION	GLASS TYPE	DESIGN PRESSURE (PSF)	
			POS.	NEG.
16.0' x 48.0'	44.37' x 53.37'	01	+15.0	-15.0
84.0' x 72.0'	38.37' x 65.37'		+15.0	-15.0
72.0' x 54.0'	32.37' x 49.37'		+30.0	-30.0
72.0' x 48.0'	32.37' x 41.37'		+45.0	-45.0
63.0' x 44.0'	27.37' x 37.37'		+80.0	-50.0



September 28, 2020
Document Prepared By:
Jonathan F. Schmidt
P.E. No. 43408

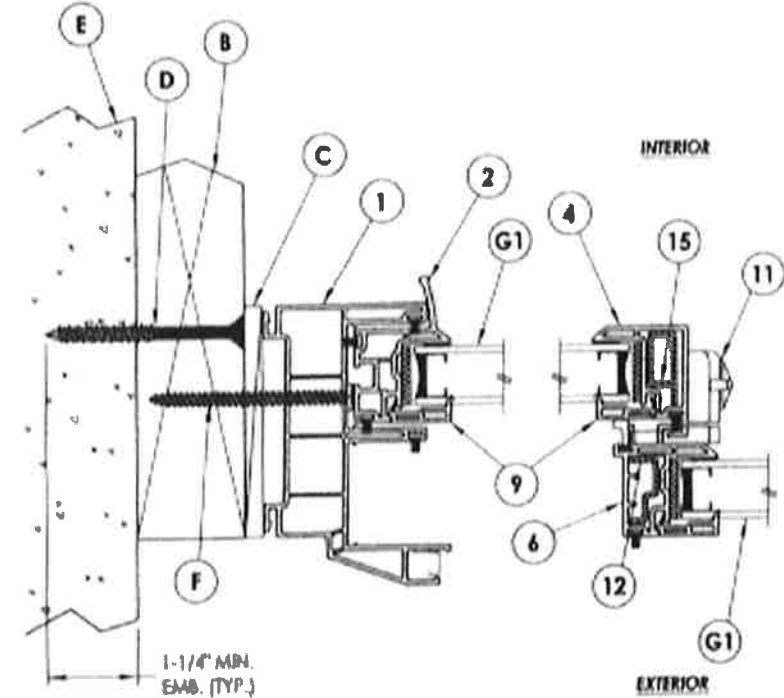
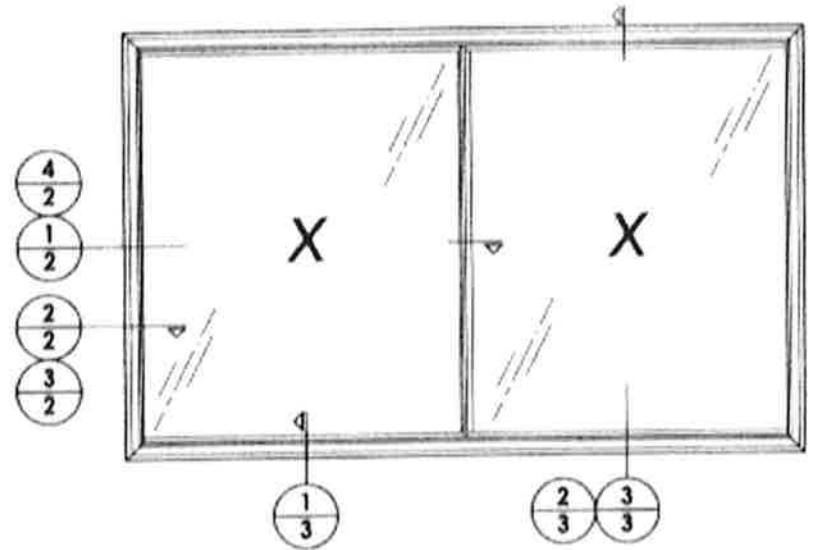
RW BUILDING CONSULTANTS, INC.
P.O. Box 230, Vero Beach, FL 32905
Phone No. 888.659.8187
FBPE Registry No. 2812

PRODUCT: HORIZONTAL SLIDER		
PART OR ASSEMBLY: TYPICAL ELEVATION, DESIGN PRESSURES & GENERAL NOTES		
NO.	DATE	BY
6	8/19/20	JFK
5	8/25/17	LFS
REVISIONS		
DATE: 12/17/13		
SCALE: N.T.S.		
DWN. BY: JFK		
CHK. BY: LFS		
DRAWING NO.: FL-11141.27		
SHEET 1 of 5		

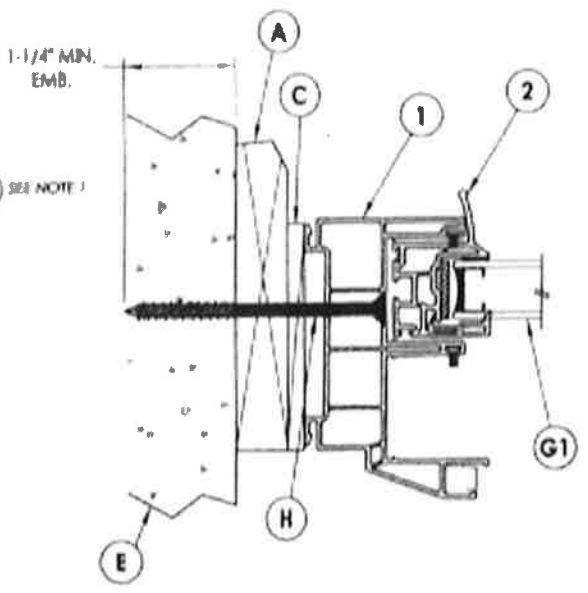
© 2013 A.M. Associated Materials, Inc. Florida Product Approval # 11141 Windows - Horizontal Sliding - Drawing # 11141.27-28 Aug. 11, 2013

© 2013 A.M. Associated Materials, Inc.

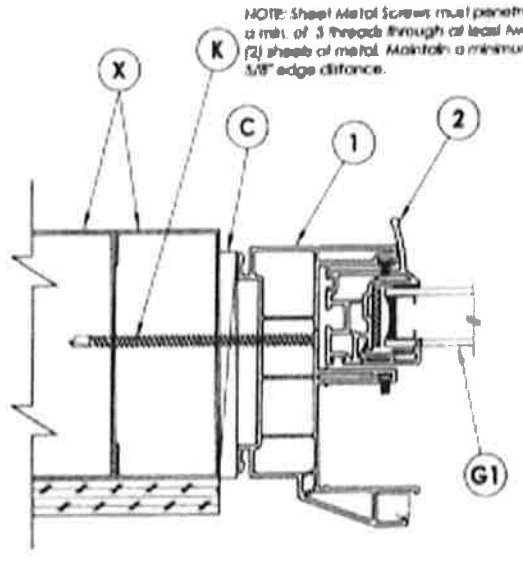
IC, Client/Associated PERMANENTLY - Florida Product Approval V.1.1.1.1.1 Window - Horizontal Slider - Drawing FL 11141.27-28.dwg, 1-2



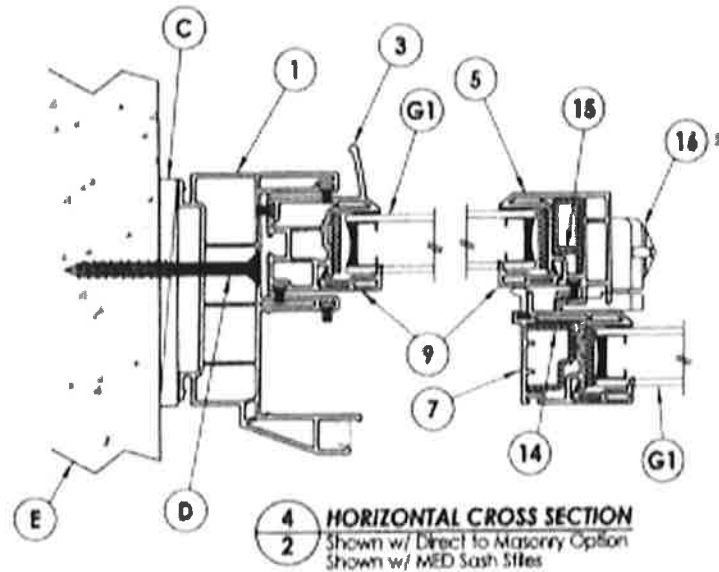
1 HORIZONTAL CROSS SECTION
2 2x Buck Construction



2 HORIZONTAL CROSS SECTION
2 Shown w/ 1x sub-buck

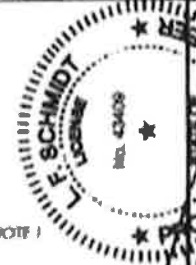


3 HORIZONTAL CROSS SECTION
2 Shown w/ Steel Stud Framing Option



4 HORIZONTAL CROSS SECTION
2 Shown w/ Direct to Masonry Option
 Shown w/ MED Sash Sills

NOTE: Sheet Metal Screws must penetrate a min. of 3 threads through at least two (2) sheets of metal. Maintain a minimum 1/8\"/>



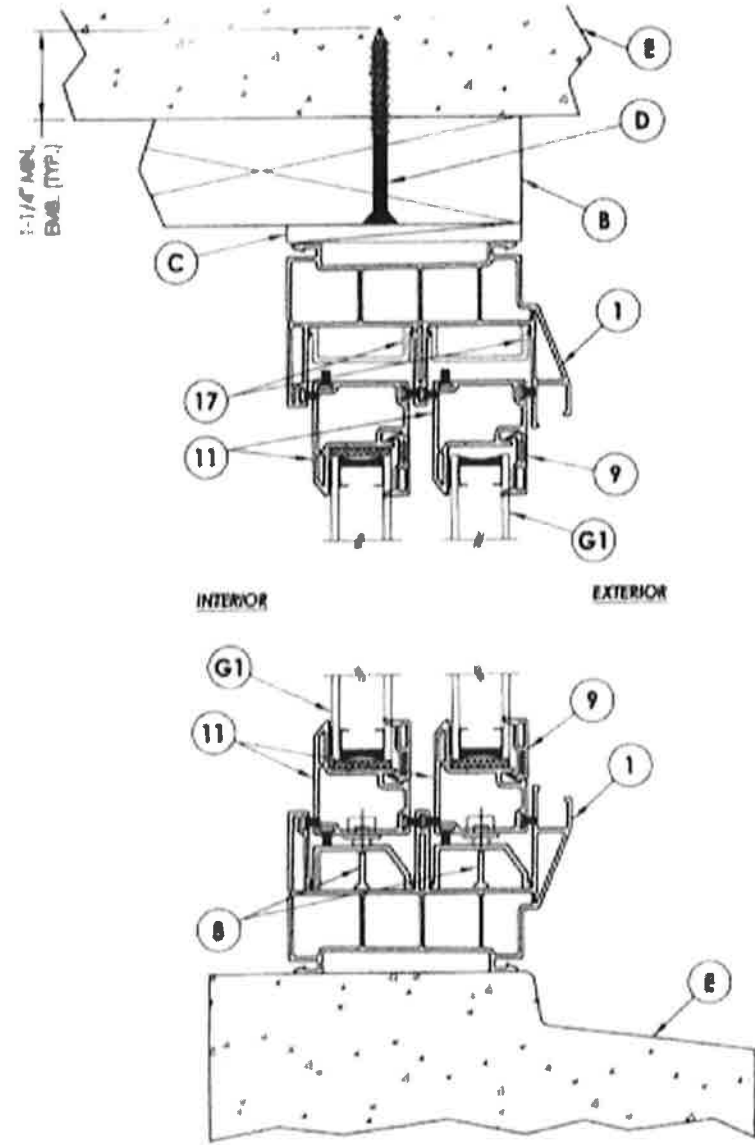
September 28, 2020
 Documents Prepared By
 Lyndean F. Schmitt
 P.E. No. 43408

RW BUILDING CONSULTANTS, INC.
 P.O. Box 230, Weston, FL 33390
 Phone No.: 813.886.8187
 FBPE Registry No. 9813

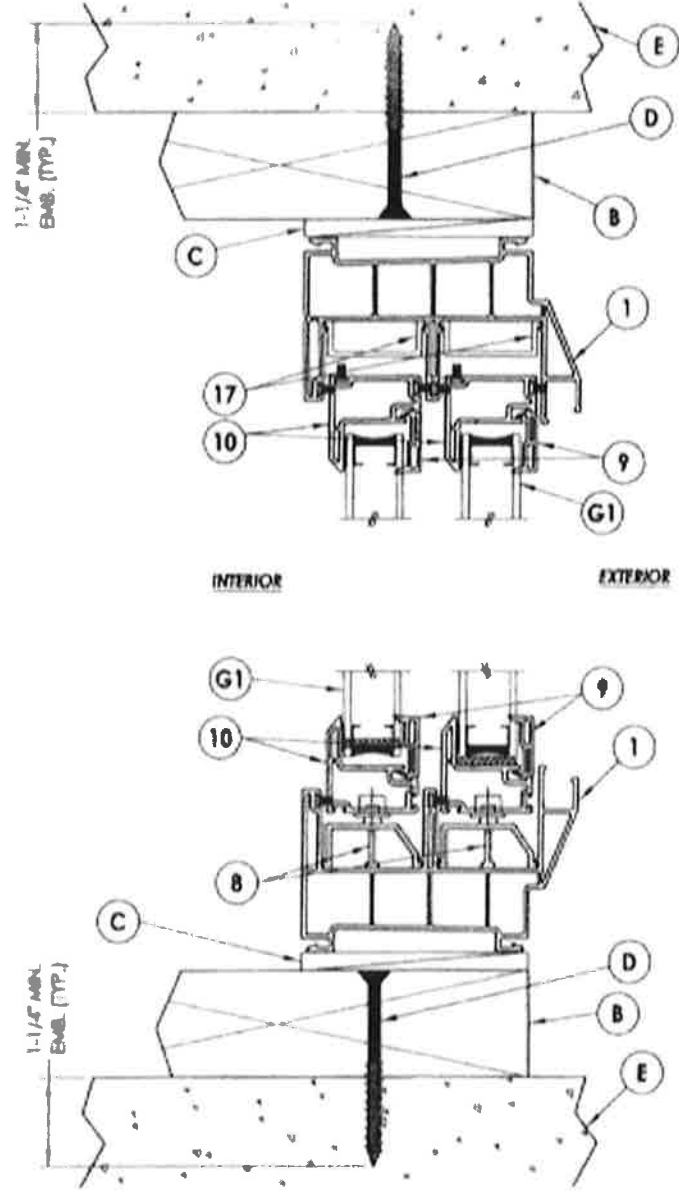
PRODUCT: HORIZONTAL SLIDER	
PART OR ASSEMBLY: HORIZONTAL CROSS SECTIONS	
DATE	12/17/13
SCALE	N.T.S.
DRG. BY:	JJK
CHK. BY:	LFS
DRAWING NO.:	FL-11141.27
SHEET	2 of 5

© 2013 R.W. BUILDING CONSULTANTS, INC.

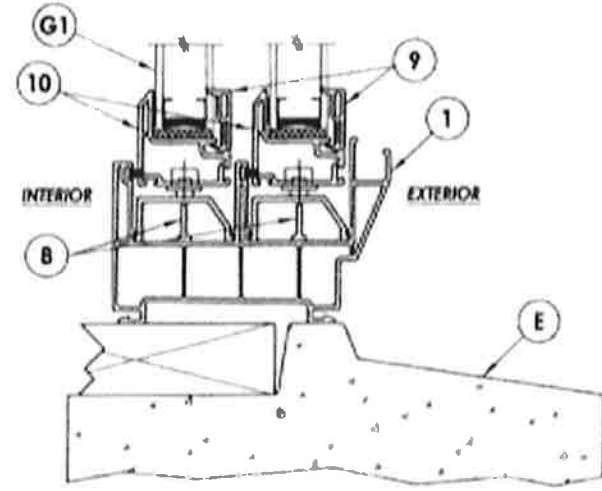
B-Client/Associated PERMANENTLY - Florida Product Approval (FL-11141) Windows - Horizontal Slider - Drawing (FL-11141-27-2) Rev. 1-3



2 VERTICAL CROSS SECTION
 Optional Masonry Sill
 Shown w/ MED Sash Rails



3 VERTICAL CROSS SECTION
 Optional Masonry Sill



1 VERTICAL CROSS SECTION
 Optional Masonry Sill

L. SCHMIDT
 No. 43409
 PROFESSIONAL ENGINEER

September 28, 2020
 Documents Prepared By: Lyndon F. Behrman
 P.E. No. 43408

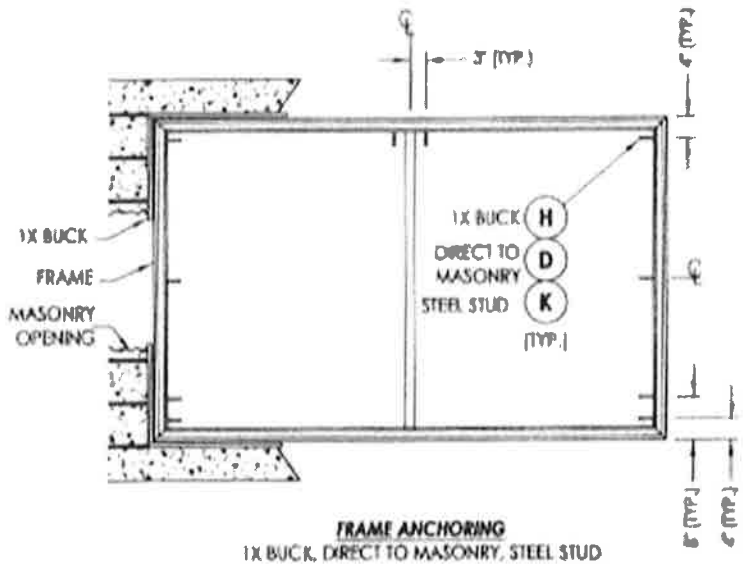
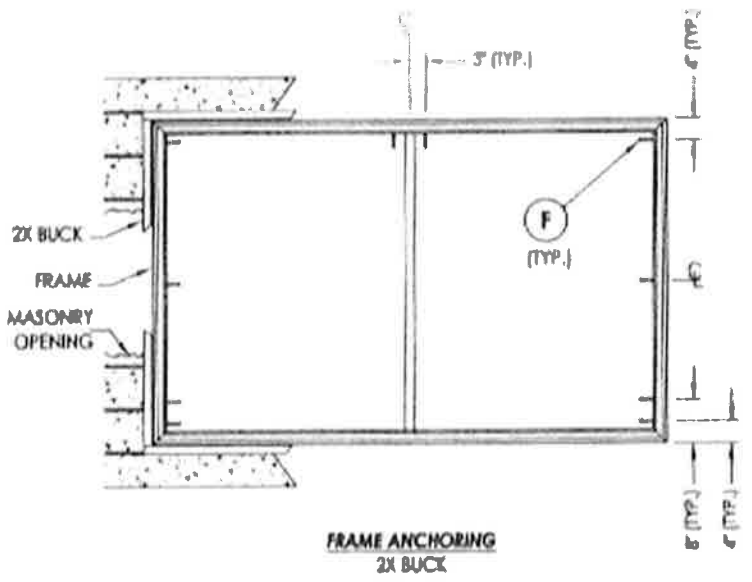
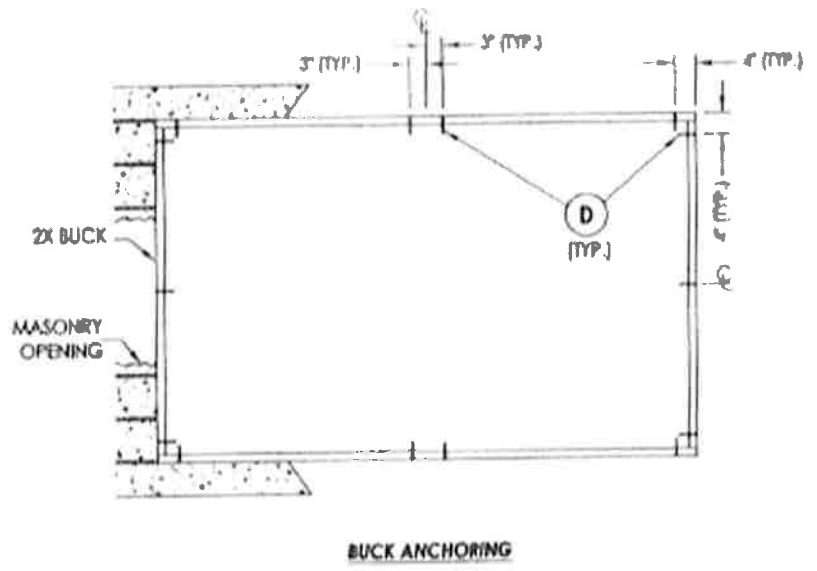
RW
 BUILDING CONSULTANTS, INC.
 P.O. Box 230, Vero Beach, FL 32966
 Phone No.: 888.809.8197
 FBPE Registry No. 9813

PRODUCT:	HORIZONTAL SLIDER	
PART OR ASSEMBLY:	VERTICAL CROSS SECTIONS	
NO.	DATE	REVISIONS
1	12/17/13	DATE
2	8/19/20	UPDATE TO 7TH ED. (2020) FBC
3	9/20/17	UPDATE TO 6TH ED. (2017) FBC
4		
5		
6		
7		
8		
9		
10		
11		
12		
13		
14		
15		
16		
17		
18		
19		
20		
21		
22		
23		
24		
25		
26		
27		
28		
29		
30		
31		
32		
33		
34		
35		
36		
37		
38		
39		
40		
41		
42		
43		
44		
45		
46		
47		
48		
49		
50		
51		
52		
53		
54		
55		
56		
57		
58		
59		
60		
61		
62		
63		
64		
65		
66		
67		
68		
69		
70		
71		
72		
73		
74		
75		
76		
77		
78		
79		
80		
81		
82		
83		
84		
85		
86		
87		
88		
89		
90		
91		
92		
93		
94		
95		
96		
97		
98		
99		
100		

DATE: 12/17/13
 SCALE: N.T.S.
 DWG. BY: JK
 CHK. BY: LFS
 DRAWING NO.: FL-11141.27
 SHEET 3 of 5

© 2013 R.W. BUILDING CONSULTANTS, INC.

R:\Client\Associates\ALBMAN\BETA - Florida Product Approval\1-11\11 Windows - Horizontal Slider-C - Drawings\1-11\11\11-ZF-28.dwg, 1-4



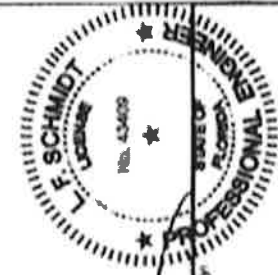
CONCRETE ANCHOR NOTES:

1. Concrete anchor locations at the corner may be adjusted to maintain the min. edge distance to mortar joints.
2. Concrete anchor locations noted as "MAX. ON CENTER" must be adjusted to maintain the min. edge distance to mortar joints, additional concrete anchors may be required to ensure the "MAX. ON CENTER" dimension are not exceeded.
3. Concrete anchor table:

ANCHOR TYPE	ANCHOR SIZE	MIN. EMBEDMENT	MIN. CLEARANCE TO MASONRY EDGE	MIN. CLEARANCE TO ADJACENT ANCHOR
ITW TAPCON®	1/4"	1-1/4"	2"	4"
DeWALT ULTRA CON®	1/4"	1-1/4"	1"	4"

WOOD SCREW INSTALLATION NOTES:

1. Maintain a minimum 5/8" edge distance, 1" end distance, & 1" o.c. spacing of wood screws to prevent the splitting of wood.



September 28, 2020
 Document Prepared By:
 Lyndon P. Schmidt
 P.E. No. 43408

PROFESSIONAL ENGINEER
 BUILDING CONSULTANTS, INC.
 P.O. Box 230, Venice, FL 33595
 Phone No.: 813.658.6197
 FBPC Registry No. 9813

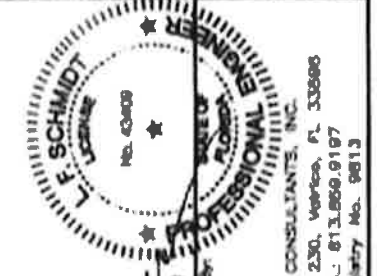
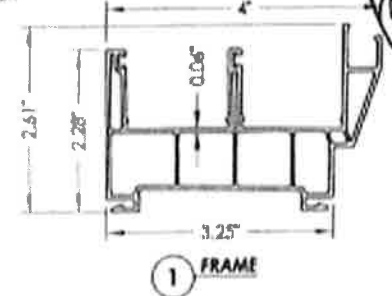
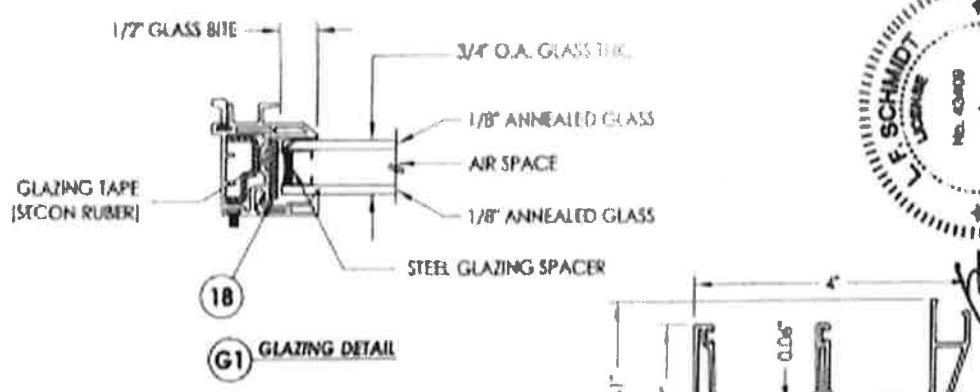
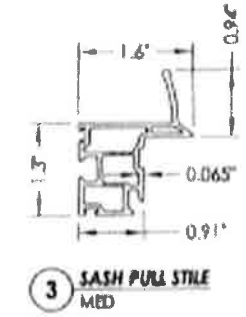
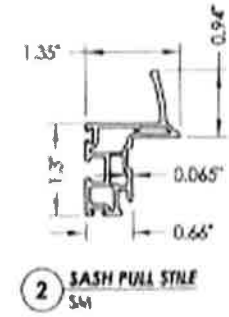
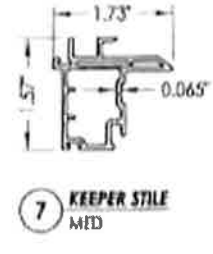
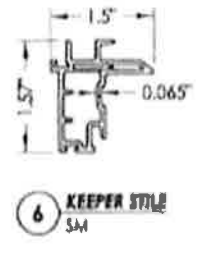
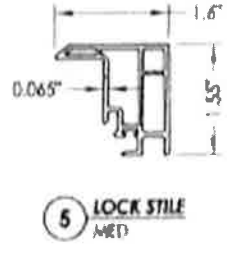
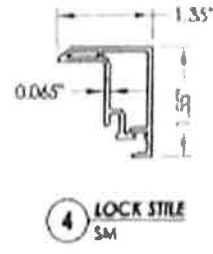
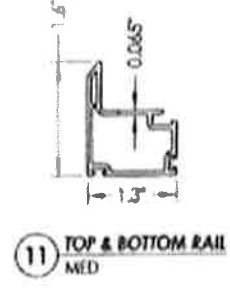
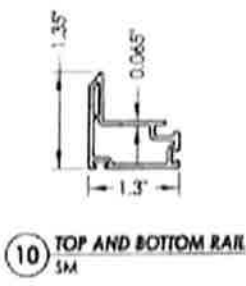
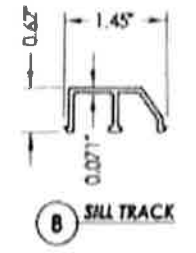
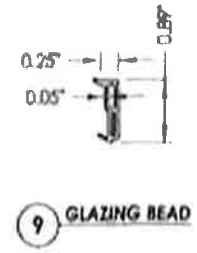
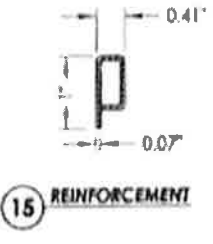
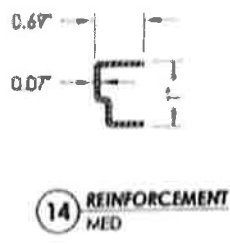
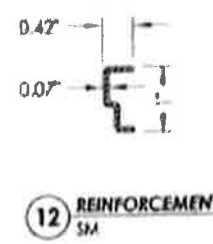
PRODUCT:	HORIZONTAL SLIDER
PART OR ASSEMBLY:	BUCK & FRAME ANCHORING
DATE	12/17/13
SCALE	N.T.S.
DWG. BY:	JK
CHEK BY:	IFS
DRAWING NO.:	FL-11141.27
SHEET	4 OF 5

© 2013 R/W: BUILDING CONSULTANTS INC

E:\Clients\Associated PERMANENT\A - Florida Product Approval\11-141 Windows - Horizontal Sliders - Drawing\11-141-27-28.dwg, 1:5

BILL OF MATERIALS		
ITEM #	DESCRIPTION	MATERIAL
A	1X BUCK SG >= 0.42	WOOD
B	2X BUCK SG >= 0.42	WOOD
C	1/4" MAX. SHIM SPACE	
D	1/4" X 2-3/4" PFH DeWALT OR ITW CONCRETE SCREW	STEEL
E	MASONRY - 3000 PSI MIN. CONCRETE CONFORMING TO ACI 301 OR HOLLOW BLOCK CONFORMING TO ASTM C90	CONCRETE
F	#8 X 2-3/4" PFH SMS (1-3/8" MIN. EMBEDMENT)	STEEL
H	1/4" X 3-3/4" PFH DeWALT OR ITW CONCRETE SCREW	STEEL
K	#10 PFH SELF-DRILLING SMS	STEEL
X	STEEL STUD Min. Thk .033" (ASTM A653 GRADE 33 Fy=33 Ksi Min, Fu=45 Ksi Min)	STEEL
1	EXTRUDED VINYL FRAME *	RIGID PVC
2	EXTRUDED VINYL SASH PULL STILE (SM) *	RIGID PVC
3	EXTRUDED VINYL SASH PULL STILE (MED) *	RIGID PVC
4	EXTRUDED VINYL LOCK STILE (SM) *	RIGID PVC
5	EXTRUDED VINYL LOCK STILE (MED) *	RIGID PVC
6	EXTRUDED VINYL KEEPER STILE (SM) *	RIGID PVC
7	EXTRUDED VINYL KEEPER STILE (MED) *	RIGID PVC
8	EXTRUDED VINYL SILL TRACK *	RIGID PVC
9	EXTRUDED VINYL GLAZING BEAD *	RIGID PVC
10	EXTRUDED VINYL TOP AND BOTTOM RAIL (SM) *	RIGID PVC
11	EXTRUDED VINYL TOP AND BOTTOM RAIL (MED) *	RIGID PVC
12	SASH REINFORCEMENT (SM)	STEEL
14	SASH REINFORCEMENT (Med)	STEEL
15	SASH REINFORCEMENT	STEEL
16	LOCK	
17	ANTI LIFT BLOCK*	RIGID PVC
18	SETTING BLOCK	

*THE APPROVED WHITE RIGID PVC EXTERIOR EXTRUSIONS FOR WINDOWS ARE TO BE PRODUCED BY EXTRUDERS LICENSEES IN "AAMA CERTIFICATION PROGRAMS FOR RIGID PVC EXTRUSIONS."



September 28, 2020
 Documents Prepared by:
 Lyndon F. Schmitt
 P.E. No. 43409
 BUILDING CONSULTANTS, INC.
 P.O. Box 230, Venice, FL 33596
 Phone No.: 813.869.0107
 FBPE Registry No. 9813

PRODUCT:	HORIZONTAL SLIDER
PART OR ASSEMBLY:	BILL OF MATERIALS, GLAZING DETAIL & COMPONENTS
DATE:	12/17/13
SCALE:	N.T.S.
DWG. BY:	JK
CHK. BY:	LFS
DRAWING NO.:	FL-11141.27
SHEET:	5 OF 5

© 2013 R.W. BUILDINGS CONSULTANTS, INC.



BCIS Home | Log In | User Registration | Hot Topics | Submit Surcharge | Stats & Facts | Publications | Contact Us | BCIS Site Map | Links | Search



Product Approval
USER: Public User

[Product Approval Menu](#) > [Product or Application Search](#) > [Application List](#) > **Application Detail**

OFFICE OF THE SECRETARY

FL #	FL12078-R7
Application Type	Revision
Code Version	2020
Application Status	Approved
Comments	
Archived	<input type="checkbox"/>
Product Manufacturer	Associated Materials Inc.
Address/Phone/Email	3773 State Road Cuyahoga Falls, OH 44223 (330) 922-2108 rickw@rwbldgconsultants.com
Authorized Signature	Vivian Wright rickw@rwbldgconsultants.com
Technical Representative	
Address/Phone/Email	
Quality Assurance Representative	
Address/Phone/Email	
Category	Windows
Subcategory	Mullions
Compliance Method	Evaluation Report from a Florida Registered Architect or a Licensed Florida Professional Engineer <input type="checkbox"/> Evaluation Report - Hardcopy Received
Florida Engineer or Architect Name who developed the Evaluation Report	Lyndon F. Schmidt, P.E.
Florida License	PE-43409
Quality Assurance Entity	Architectural Testing, Inc., an Intertek Company
Quality Assurance Contract Expiration Date	12/31/2021
Validated By	Ryan J. King, P.E. <input checked="" type="checkbox"/> Validation Checklist - Hardcopy Received
Certificate of Independence	FL12078 R7 COI (b) Certificate of Independence.pdf
Referenced Standard and Year (of Standard)	
Equivalence of Product Standards Certified By	
Sections from the Code	1709.8
Product Approval Method	Method 2 Option B
Date Submitted	10/02/2020

Handwritten blue mark

Date Validated 10/05/2020
 Date Pending FBC Approval 10/10/2020
 Date Approved 12/15/2020

Summary of Products

FL #	Model, Number or Name	Description
12078.1	a. 3100 Structural Mullion	Extruded Aluminum Clipped Mullion for use on Masonry or Wood Openings utilizing the Goal Post (at head and sill) Style Mounting Bracket
Limits of Use Approved for use in HVHZ: No Approved for use outside HVHZ: Yes Impact Resistant: Yes Design Pressure: N/A Other: Mullion Design Pressure varies according to mullied window size. Refer to EVAL 12078.1 and INST 12078.1 for Mullion Design Pressure Ratings, any additional use limitations, installation instructions and product particulars.		Installation Instructions FL12078 R7 II (b) Inst 12078.1.pdf Verified By: Lyndon F. Schmidt, P.E. 43409 Created by Independent Third Party: Yes Evaluation Reports FL12078 R7 AE (b) Eval 12078.1.pdf Created by Independent Third Party: Yes
12078.2	b. 3100 Structural Mullion	Extruded Aluminum Clipped Mullion for use on Wood Openings utilizing the Goal Post (at Sill) and the Bull Nose (at head) Style Mounting Brackets
Limits of Use Approved for use in HVHZ: No Approved for use outside HVHZ: Yes Impact Resistant: Yes Design Pressure: N/A Other: Mullion Design Pressure varies according to mullied window size. Refer to EVAL 12078.2 and INST 12078.2 for Mullion Design Pressure Ratings, any additional use limitations, installation instructions and product particulars.		Installation Instructions FL12078 R7 II (b) Inst 12078.2.pdf Verified By: Lyndon F. Schmidt, P.E. 43409 Created by Independent Third Party: Yes Evaluation Reports FL12078 R7 AE (b) Eval 12078.2.pdf Created by Independent Third Party: Yes
12078.3	c. 3100 Structural Transom Mullion	Extruded Aluminum Clipped Mullion for use on Masonry or Wood Openings utilizing the Goal Post (at head and sill) Style Mounting Bracket
Limits of Use Approved for use in HVHZ: No Approved for use outside HVHZ: Yes Impact Resistant: Yes Design Pressure: N/A Other: Mullion Design Pressure varies according to mullied window size. Refer to EVAL 12078.3 and INST 12078.3 for Mullion Design Pressure Ratings, any additional use limitations, installation instructions and product particulars.		Installation Instructions FL12078 R7 II (b) Inst 12078.3.pdf Verified By: Lyndon F. Schmidt, P.E. 43409 Created by Independent Third Party: Yes Evaluation Reports FL12078 R7 AE (b) Eval 12078.3.pdf Created by Independent Third Party: Yes
12078.4	d. 3100 Structural Transom Mullion	Extruded Aluminum Clipped Mullion for use on Wood Openings utilizing the Goal Post (at Sill) and the Bull Nose (at head) Style Mounting Brackets
Limits of Use Approved for use in HVHZ: No Approved for use outside HVHZ: Yes Impact Resistant: Yes Design Pressure: N/A Other: Mullion Design Pressure varies according to mullied window size. Refer to EVAL 12078.4 and INST 12078.4 for Mullion Design Pressure Ratings, any additional use limitations, installation instructions and product particulars.		Installation Instructions FL12078 R7 II (b) Inst 12078.4.pdf Verified By: Lyndon F. Schmidt, P.E. 43409 Created by Independent Third Party: Yes Evaluation Reports FL12078 R7 AE (b) Eval 12078.4.pdf Created by Independent Third Party: Yes
12078.5	e. "i" Series Structural Mullion	Extruded Aluminum Clipped Mullion for use on Wood and Masonry Openings utilizing the Goal Post (at Head and Sill) Style Mounting Brackets
Limits of Use Approved for use in HVHZ: No Approved for use outside HVHZ: Yes Impact Resistant: Yes Design Pressure: N/A Other: Mullion Design Pressure varies according to mullied window size. Refer to EVAL 12078.5 and INST 12078.5 for Mullion Design Pressure Ratings, any additional use limitations, installation instructions and product particulars.		Installation Instructions FL12078 R7 II (b) Inst 12078.5.pdf Verified By: Lyndon F. Schmidt, P.E. 43409 Created by Independent Third Party: Yes Evaluation Reports FL12078 R7 AE (b) Eval 12078.5.pdf Created by Independent Third Party: Yes
12078.6	f. "i" Series Structural Transom Mullion	Extruded Aluminum Clipped Mullion for use on Wood and Masonry Openings utilizing the Goal Post Style Mounting Brackets
Limits of Use Approved for use in HVHZ: No Approved for use outside HVHZ: Yes Impact Resistant: Yes		Installation Instructions FL12078 R7 II (b) Inst 12078.6.pdf Verified By: Lyndon F. Schmidt, P.E. 43409 Created by Independent Third Party: Yes

Design Pressure: N/A Other: Mullion Design Pressure varies according to mulled window size. Refer to EVAL 12078.6 and INST 12078.6 for Mullion Design Pressure Ratings, any additional use limitations, installation instructions and product particulars.		Evaluation Reports FL12078 R7 AE (b) Eval 12078.6.pdf Created by Independent Third Party: Yes
12078.7	g. "C-Class" Series Structural Mullion	Clipped Steel 2.0", 2.25" and 2.5" Bar Mullion for use on Wood and Masonry Openings
Limits of Use Approved for use in HVHZ: No Approved for use outside HVHZ: Yes Impact Resistant: Yes Design Pressure: N/A Other: Mullion Design Pressure varies according to mulled window size. Refer to EVAL 12078.7 and INST 12078.7 for Mullion Design Pressure Ratings, any additional use limitations, installation instructions and product particulars.		Installation Instructions FL12078 R7 II (b) Inst 12078.7.pdf Verified By: Lyndon F. Schmidt, P.E. 43409 Created by Independent Third Party: Yes Evaluation Reports FL12078 R7 AE (b) Eval 12078.7.pdf Created by Independent Third Party: Yes

[Back](#) [Next](#)

Contact Us :: 2601 Blair Stone Road, Tallahassee FL 32399 Phone: 850-487-1824

The State of Florida is an AA/EEO employer. [Copyright 2007-2013 State of Florida](#), :: [Privacy Statement](#) :: [Accessibility Statement](#) :: [Refund Statement](#)

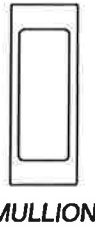
Under Florida law, email addresses are public records. If you do not want your e-mail address released in response to a public-records request, do not send electronic mail to this entity. Instead, contact the office by phone or by traditional mail. If you have any questions, please contact 850.487.1395. *Pursuant to Section 455.275 (1), Florida Statutes, effective October 1, 2012, licensees licensed under Chapter 455, F.S. must provide the Department with an email address if they have one. The emails provided may be used for official communication with the licensee. However email addresses are public record. If you do not wish to supply a personal address, please provide the Department with an email address which can be made available to the public. To determine if you are a licensee under Chapter 455, F.S., please [click here](#).



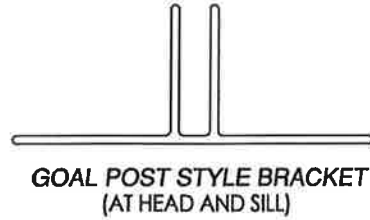
Credit Card
Safe



3100 STRUCTURAL MULLION



MULLION

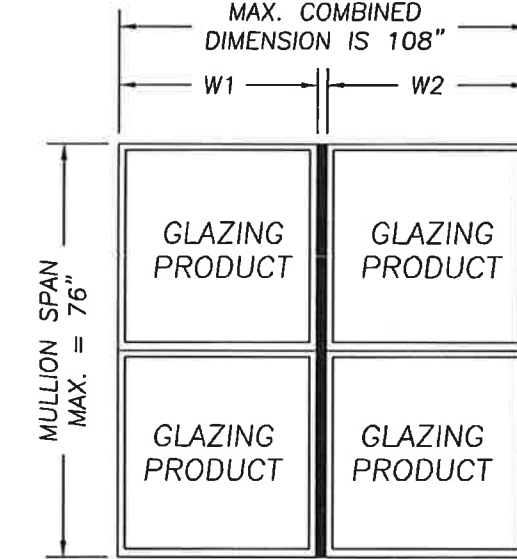
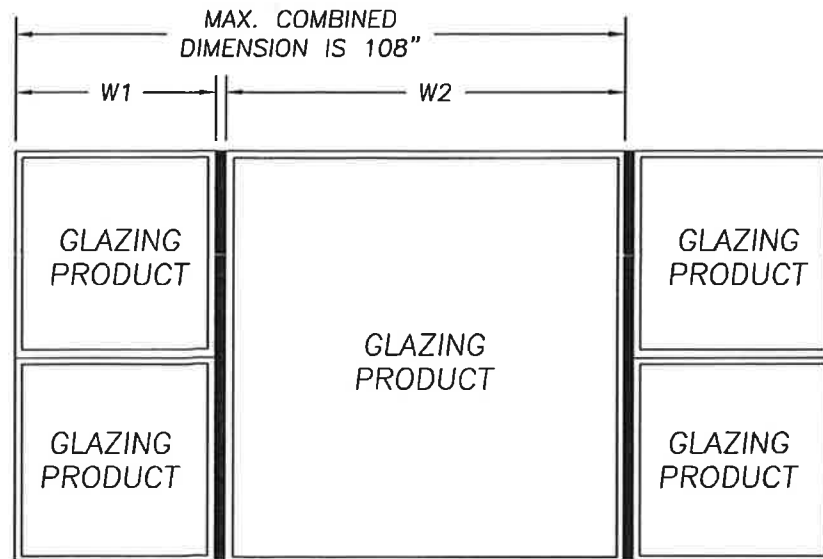
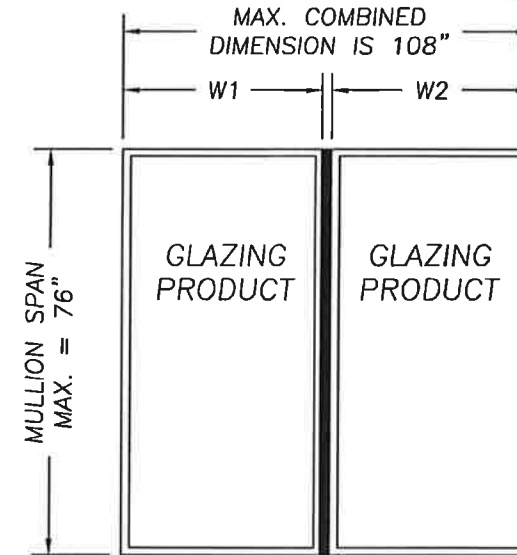
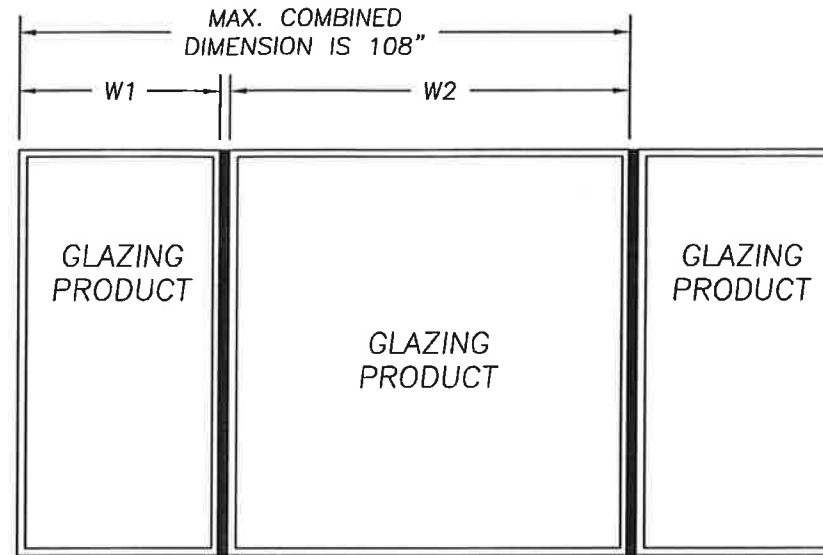


GOAL POST STYLE BRACKET
(AT HEAD AND SILL)

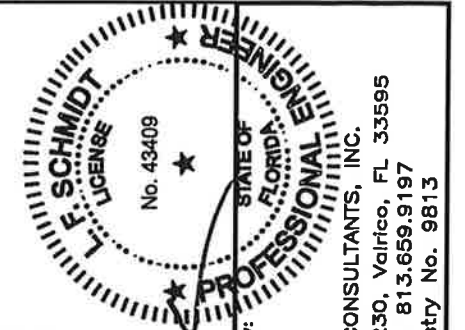
GENERAL NOTES:

- This product has been evaluated and is in compliance with the 7th Edition (2020) Florida Building Code (FBC) excluding the "High Velocity Hurricane Zone" and conforms to the requirements of FBC Chapter 17.
- Wood bucks by others, must be anchored properly to transfer loads to the structure and be reviewed by the Building Official.
- Mullion anchor embedment to base material shall be beyond wall dressing or stucco.
- When used in areas requiring wind borne debris protection, this product does not require protection from an impact resistant covering when used in Wind Zones 1, 2 and 3 as defined by ASTM E 1996; in Wind Zone 4, as defined by ASTM E 1996, this product must be protected with an impact resistant covering complying with FBC Sections 1609.1.2 & R301.2.1.2.
- Separate product approvals for each glazing product used with these mullions must be submitted along with this mullion product approval.
- Anchoring of each glazing product to the mullion shall be as shown in each individual glazing product approval.
- Any conditions not covered in this evaluation are subject to separate engineering evaluation.
- Mullion Design Pressure Rating, see Load Rating Table Sheets 2 and 3 of this drawing.
- The design pressure rating of the assembly shall be the lesser of the load capacity of the mullion as determined using this approval or the design pressure rating of the individual glazing products used.
- Bounding box dimensions for geometric shapes must be equal to or less than the rectangular dimensions shown herein.

TABLE OF CONTENTS	
SHEET #	DESCRIPTION
1	TYPICAL ELEVATIONS & GENERAL NOTES
2	MULLION LOAD TABLE FOR WOOD SCREW ANCHORS
3	MULLION LOAD TABLE FOR CONCRETE SCREW ANCHORS
4	MULLION SECTION AND ANCHORING DETAILS



TYPICAL MULLION CONFIGURATIONS

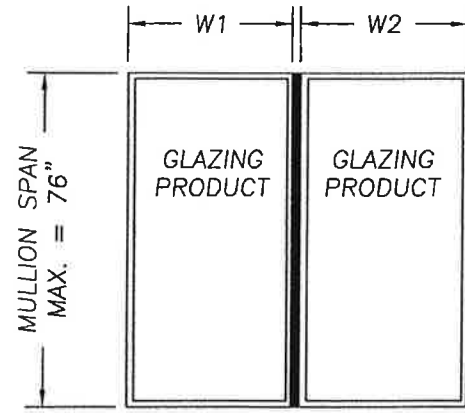


Sept. 30, 2020
Documents Prepared By:
Lyndon F. Schmidt
P.E. No. 43409
RW
BUILDING CONSULTANTS, INC.
P.O. Box 230, Vairico, FL 33595
Phone No.: 813.659.9197
FBPE Registry No. 9813

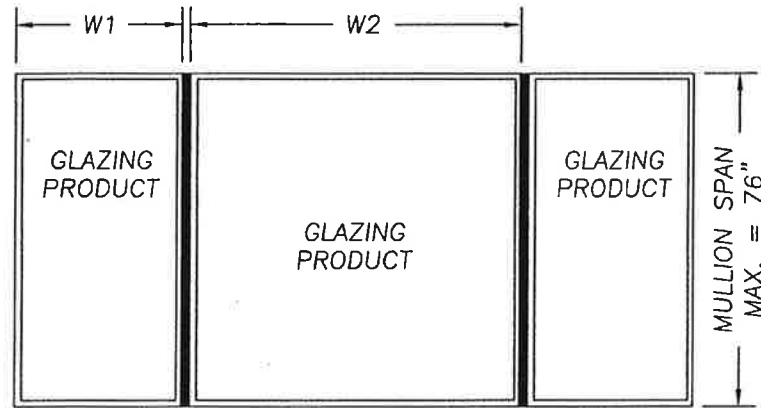
PRODUCT: 3100 STRUCTURAL MULLION
PART OR ASSEMBLY: TYPICAL ELEVATION AND GENERAL NOTES

NO.	DATE	REVISIONS
5	9/30/20	UPDATE TO 7TH ED. (2020) FBC
4	7/27/17	UPDATE TO 6TH ED. (2017) FBC
3	5/09/16	ADD OFFSET ANCHOR BRACKET
2	3/03/15	UPDATE TO 5TH ED. (2014) FBC
1	11/08/11	UPDATE TO 2010 FBC

DATE: 12/11/08
SCALE: NTS
DWG. BY: DWS
CHK. BY: LFS
DRAWING NO.: FL-12078.1
SHEET 1 OF 4



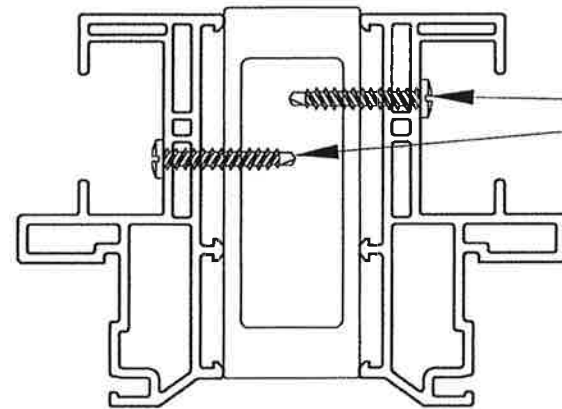
$$\text{TRIBUTARY WIDTH} = \frac{W1 + W2}{2}$$



WOOD SCREW ANCHORS	3100 STRUCTURAL MULLION LOAD TABLE (PSF)												
	TRIBUTARY WIDTH												
	28"	30"	32"	34"	36"	38"	40"	42"	44"	46"	48"	50"	54"
76"	64.43	60.62	57.29	54.36	51.77	49.45	47.35	45.42	43.65	42.00	40.48	39.06	36.51
72"	76.25	71.78	67.87	64.43	61.39	58.64	56.14	53.83	51.71	49.75	47.93	46.24	43.20
70"	83.26	78.39	74.15	70.41	67.10	64.08	61.33	58.81	56.48	54.33	52.34	50.49	47.15
68"	91.15	85.85	81.23	77.16	73.52	70.20	67.17	64.40	61.84	59.48	57.29	55.26	51.60
66"	100.08	94.28	89.23	84.78	80.76	77.11	73.77	70.71	67.89	65.29	62.88	60.64	56.61
64"	110.20	103.86	98.33	93.42	88.97	84.92	81.23	77.85	74.73	71.86	69.20	66.73	62.28
62"	120.00	114.78	108.69	103.23	98.30	93.81	89.71	85.96	82.51	79.32	76.38	73.64	68.71
60"	120.00	120.00	120.00	114.44	108.95	103.95	99.39	95.22	91.38	87.84	84.57	81.53	76.06
58"	120.00	120.00	120.00	120.00	120.00	115.58	110.49	105.83	101.55	97.60	93.95	90.56	84.46
56"	120.00	120.00	120.00	120.00	120.00	120.00	120.00	118.05	112.94	108.03	103.53	99.38	92.02
54"	120.00	120.00	120.00	120.00	120.00	120.00	120.00	120.00	120.00	116.18	111.34	106.88	98.96
52"	120.00	120.00	120.00	120.00	120.00	120.00	120.00	120.00	120.00	120.00	120.00	115.26	106.72
50"	120.00	120.00	120.00	120.00	120.00	120.00	120.00	120.00	120.00	120.00	120.00	120.00	115.43
48"	120.00	120.00	120.00	120.00	120.00	120.00	120.00	120.00	120.00	120.00	120.00	120.00	120.00
46"	120.00	120.00	120.00	120.00	120.00	120.00	120.00	120.00	120.00	120.00	120.00	120.00	120.00
44"	120.00	120.00	120.00	120.00	120.00	120.00	120.00	120.00	120.00	120.00	120.00	120.00	120.00
42"	120.00	120.00	120.00	120.00	120.00	120.00	120.00	120.00	120.00	120.00	120.00	120.00	120.00
40"	120.00	120.00	120.00	120.00	120.00	120.00	120.00	120.00	120.00	120.00	120.00	120.00	120.00
38"	120.00	120.00	120.00	120.00	120.00	120.00	120.00	120.00	120.00	120.00	120.00	120.00	120.00
36"	120.00	120.00	120.00	120.00	120.00	120.00	120.00	120.00	120.00	120.00	120.00	120.00	120.00
34"	120.00	120.00	120.00	120.00	120.00	120.00	120.00	120.00	120.00	120.00	120.00	120.00	120.00
32"	120.00	120.00	120.00	120.00	120.00	120.00	120.00	120.00	120.00	120.00	120.00	120.00	120.00
30"	120.00	120.00	120.00	120.00	120.00	120.00	120.00	120.00	120.00	120.00	120.00	120.00	120.00
28"	120.00	120.00	120.00	120.00	120.00	120.00	120.00	120.00	120.00	120.00	120.00	120.00	120.00
26"	120.00	120.00	120.00	120.00	120.00	120.00	120.00	120.00	120.00	120.00	120.00	120.00	120.00
24"	120.00	120.00	120.00	120.00	120.00	120.00	120.00	120.00	120.00	120.00	120.00	120.00	120.00

INSTRUCTIONS FOR USE OF THE MULLION LOAD TABLE:

1. DETERMINE THE DESIGN LOAD REQUIREMENT FOR THE PARTICULAR OPENING AS SPECIFIED BY THE BUILDING DESIGNER (ARCHITECT OR ENGINEER OR RECORD).
2. FOR THE PARTICULAR OPENING, DETERMINE THE TRIBUTARY WIDTH AND MULLION SPAN. REFERENCE THE SKETCHES ON THIS SHEET FOR MULLION SPAN AND TRIBUTARY WIDTH DETERMINATION.
3. IN THE FIRST COLUMN OF THE TABLE, LOCATE THE MULLION SPAN. IN THE FIRST ROW OF THE TABLE, LOCATE THE TRIBUTARY WIDTH. AT THE INTERSECTION OF THE ROW CONTAINING THE MULLION SPAN AND THE COLUMN CONTAINING THE TRIBUTARY WIDTH, READ THE MULLION LOAD RATING GIVEN IN PSF. THE MULLION LOAD RATING MUST BE EQUAL TO OR GREATER THAN THE DESIGN LOAD REQUIREMENT DETERMINED IN STEP 1 ABOVE.



SECTION THRU MULLION & FRAME

FOR ANCHORING GLAZING PRODUCTS TO THE MULLION, ANCHOR SIZE AND SPACING SHALL BE AS SPECIFIED IN ONE OF THE FOLLOWING:

1. SUBSTITUTE (1 FOR 1) 1/4"-14 SELF-DRILLING SCREWS FOR THE FASTENERS SHOWN IN THE INDIVIDUAL GLAZING PRODUCT APPROVAL.
2. SUBSTITUTE #8-18 PANHEAD SELF-DRILLING SCREWS FOR THE FASTENERS SHOWN IN THE INDIVIDUAL GLAZING PRODUCT APPROVAL. MAXIMUM FASTENER SPACING ALLOWED IS 6" FROM EACH END AND AT 15" O.C. MAX. SPACING.

NOTE: A MINIMUM OF 3 THREADS OF THE SELF-DRILLING SCREWS MUST PROTRUDE THROUGH THE WALL OF THE MULLION. THIS SECTION VIEW IS SHOWN FOR ILLUSTRATIVE PURPOSES; OTHER FRAME SECTIONS OF FLORIDA APPROVED WINDOWS BY ALSIDE WINDOWS CAN BE USED IN THIS FASHION.

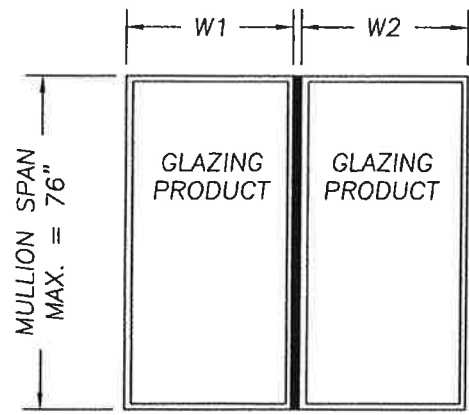
LE SCHMIDT
LICENSE
No. 43409
★

STATE OF FLORIDA
PROFESSIONAL ENGINEER

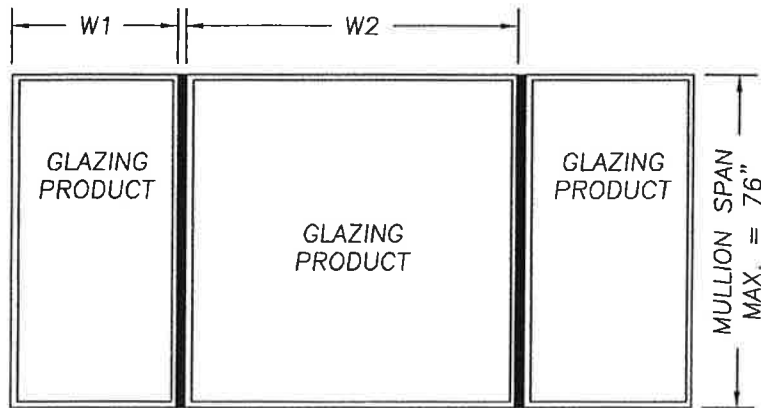
Sept. 30, 2020
Documents Prepared By:
Lyndon F. Schmidt
P.E. No. 43409

RW
BUILDING CONSULTANTS, INC.
P.O. Box 230, Valrico, FL 33595
Phone No.: 813.659.9197
FBPE Registry No. 9813

PRODUCT:	3100 STRUCTURAL MULLION			
PART OR ASSEMBLY:	MULLION LOAD TABLE FOR WOOD SCREW ANCHORS			
DATE:	12/11/08	SCALE:	NTS	
DWG. BY:	DWS	CHK. BY:	LFS	
DRAWING NO.:	FL-12078.1			
SHEET	2	OF	4	



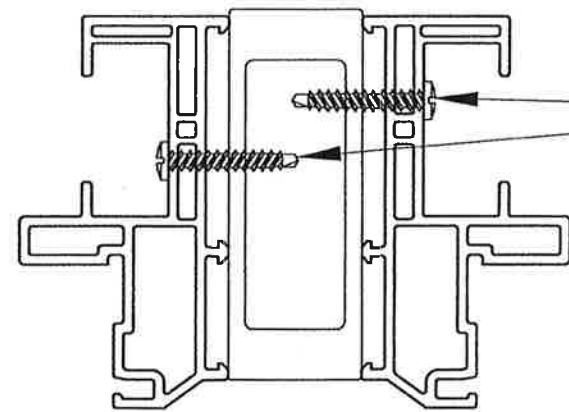
$$\text{TRIBUTARY WIDTH} = \frac{W1 + W2}{2}$$



MULLION SPAN	3100 STRUCTURAL MULLION LOAD TABLE (PSF)													
	TRIBUTARY WIDTH													
	28"	30"	32"	34"	36"	38"	40"	42"	44"	46"	48"	50"	54"	
76"	64.43	60.62	57.29	54.36	51.77	49.45	47.35	45.42	43.65	42.00	40.48	39.06	36.51	
72"	70.94	67.37	64.29	61.60	59.26	57.14	55.17	53.33	51.61	49.75	47.93	46.24	43.20	
70"	73.47	69.82	66.67	63.93	61.52	59.31	57.24	55.32	53.52	51.83	50.25	48.76	46.03	
68"	76.19	72.45	69.23	66.44	63.93	61.60	59.44	57.43	55.54	53.78	52.13	50.57	47.72	
66"	79.12	75.29	72.00	69.13	66.49	64.05	61.79	59.67	57.70	55.85	54.12	52.49	49.52	
64"	82.29	78.37	75.00	72.00	69.23	66.67	64.29	62.07	60.00	58.06	56.25	54.55	51.43	
62"	85.71	81.70	78.23	75.07	72.16	69.46	66.96	64.63	62.46	60.42	58.52	56.73	53.47	
60"	89.44	85.33	81.70	78.37	75.29	72.45	69.82	67.37	65.08	62.95	60.95	59.08	55.65	
58"	93.51	89.27	85.43	81.91	78.66	75.67	72.89	70.31	67.90	65.66	63.56	61.59	57.99	
56"	97.96	93.51	89.44	85.71	82.29	79.12	76.19	73.47	70.94	68.57	66.36	64.29	60.50	
54"	102.81	98.08	93.77	89.82	86.20	82.85	79.75	76.88	74.20	71.71	69.38	67.19	63.21	
52"	108.07	103.04	98.46	94.27	90.42	86.88	83.60	80.56	77.73	75.10	72.64	70.33	66.13	
50"	113.78	108.42	103.55	99.10	95.01	91.25	87.77	84.55	81.56	78.77	76.17	73.73	69.29	
48"	120.00	114.29	109.09	104.35	100.00	96.00	92.31	88.89	85.71	82.76	80.00	77.42	72.73	
46"	120.00	120.00	115.14	110.08	105.45	101.19	97.26	93.62	90.25	87.11	84.18	81.44	76.47	
44"	120.00	120.00	120.00	116.36	111.41	106.86	102.67	98.80	95.21	91.87	88.75	85.84	80.56	
42"	120.00	120.00	120.00	120.00	117.97	113.11	108.63	104.49	100.66	97.09	93.77	90.67	85.05	
40"	120.00	120.00	120.00	120.00	120.00	120.00	115.20	110.77	106.67	102.86	99.31	96.00	90.00	
38"	120.00	120.00	120.00	120.00	120.00	120.00	120.00	117.73	113.33	109.25	105.45	101.90	95.48	
36"	120.00	120.00	120.00	120.00	120.00	120.00	120.00	120.00	120.00	116.36	112.28	108.47	101.59	
34"	120.00	120.00	120.00	120.00	120.00	120.00	120.00	120.00	120.00	120.00	119.94	115.84	108.42	
32"	120.00	120.00	120.00	120.00	120.00	120.00	120.00	120.00	120.00	120.00	120.00	120.00	116.13	
30"	120.00	120.00	120.00	120.00	120.00	120.00	120.00	120.00	120.00	120.00	120.00	120.00	120.00	
28"	120.00	120.00	120.00	120.00	120.00	120.00	120.00	120.00	120.00	120.00	120.00	120.00	120.00	
26"	120.00	120.00	120.00	120.00	120.00	120.00	120.00	120.00	120.00	120.00	120.00	120.00	120.00	
24"	120.00	120.00	120.00	120.00	120.00	120.00	120.00	120.00	120.00	120.00	120.00	120.00	120.00	

INSTRUCTIONS FOR USE OF THE MULLION LOAD TABLE:

1. DETERMINE THE DESIGN LOAD REQUIREMENT FOR THE PARTICULAR OPENING AS SPECIFIED BY THE BUILDING DESIGNER (ARCHITECT OR ENGINEER OR RECORD).
2. FOR THE PARTICULAR OPENING, DETERMINE THE TRIBUTARY WIDTH AND MULLION SPAN. REFERENCE THE SKETCHES ON THIS SHEET FOR MULLION SPAN AND TRIBUTARY WIDTH DETERMINATION.
3. IN THE FIRST COLUMN OF THE TABLE, LOCATE THE MULLION SPAN. IN THE FIRST ROW OF THE TABLE, LOCATE THE TRIBUTARY WIDTH. AT THE INTERSECTION OF THE ROW CONTAINING THE MULLION SPAN AND THE COLUMN CONTAINING THE TRIBUTARY WIDTH, READ THE MULLION LOAD RATING GIVEN IN PSF. THE MULLION LOAD RATING MUST BE EQUAL TO OR GREATER THAN THE DESIGN LOAD REQUIREMENT DETERMINED IN STEP 1 ABOVE.

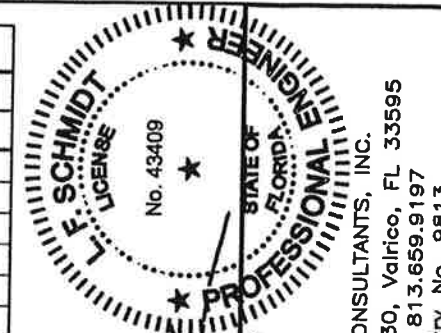


SECTION THRU MULLION & FRAME

FOR ANCHORING GLAZING PRODUCTS TO THE MULLION, ANCHOR SIZE AND SPACING SHALL BE AS SPECIFIED IN ONE OF THE FOLLOWING:

1. SUBSTITUTE (1 FOR 1) 1/4"-14 SELF-DRILLING SCREWS FOR THE FASTENERS SHOWN IN THE INDIVIDUAL GLAZING PRODUCT APPROVAL.
2. SUBSTITUTE #8-18 PANHEAD SELF-DRILLING SCREWS FOR THE FASTENERS SHOWN IN THE INDIVIDUAL GLAZING PRODUCT APPROVAL. MAXIMUM FASTENER SPACING ALLOWED IS 6" FROM EACH END AND AT 15" O.C. MAX. SPACING.

NOTE: A MINIMUM OF 3 THREADS OF THE SELF-DRILLING SCREWS MUST PROTRUDE THROUGH THE WALL OF THE MULLION. THIS SECTION VIEW IS SHOWN FOR ILLUSTRATIVE PURPOSES; OTHER FRAME SECTIONS OF FLORIDA APPROVED WINDOWS BY ALSIDE WINDOWS CAN BE USED IN THIS FASHION.

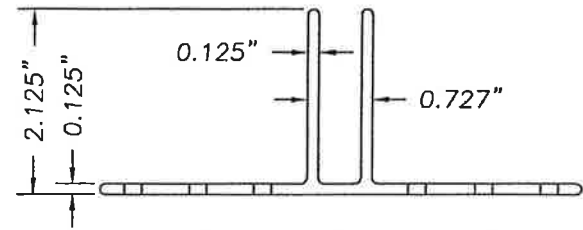
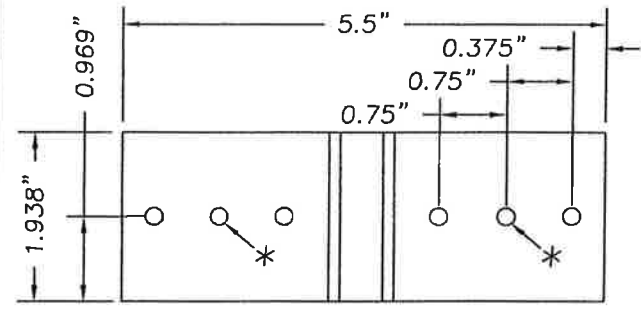


Sept. 30, 2020
 Documents Prepared By:
 Lyndon F. Schmidt
 P.E. No. 43409
 BUILDING CONSULTANTS, INC.
 P.O. Box 230, Vairico, FL 33595
 Phone No.: 813.659.9197
 FBPE Registry No. 98173

PRODUCT: 3100 STRUCTURAL MULLION
 PART OR ASSEMBLY: MULLION LOAD TABLE FOR CONCRETE SCREW ANCHORS

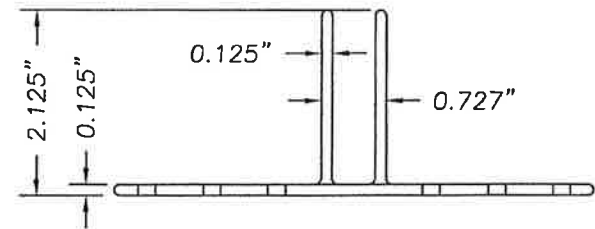
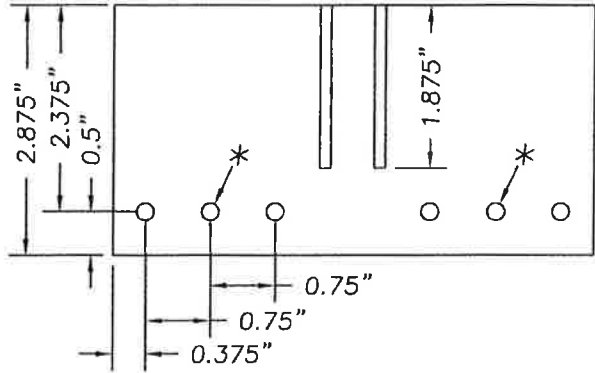
NO.	DATE	REVISIONS
5	9/30/20	UPDATE TO 7TH ED. (2020) FBC
4	7/27/17	UPDATE TO 6TH ED. (2017) FBC
3	5/09/16	ADD OFFSET ANCHOR BRACKET
2	3/03/15	UPDATE TO 5TH ED. (2014) FBC
1	11/08/11	UPDATE TO 2010 FBC

DATE: 12/11/08
 SCALE: NTS
 DWG. BY: DWS
 CHK. BY: LFS
 DRAWING NO.: FL-12078.1
 SHEET 3 OF 4

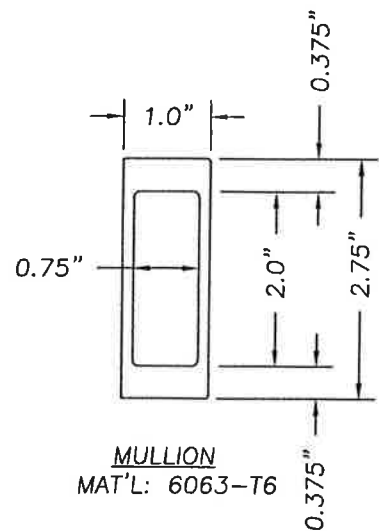


MULLION ANCHOR BRACKET
MAT'L: 6063-T6

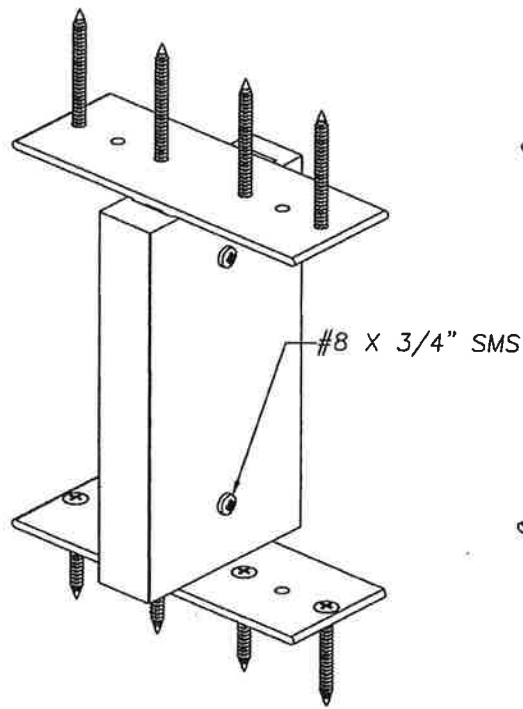
* DO NOT USE CENTER HOLE FOR CONCRETE SCREW INSTALLATION



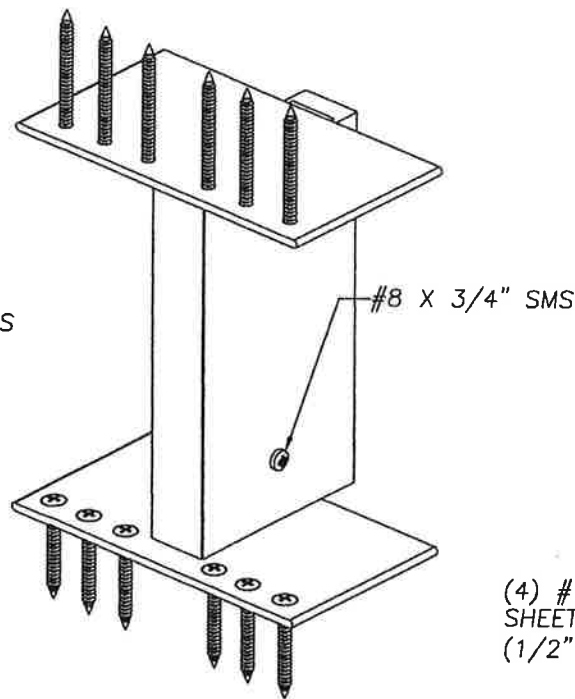
MULLION ANCHOR OFFSET BRACKET
MAT'L: 6063-T6



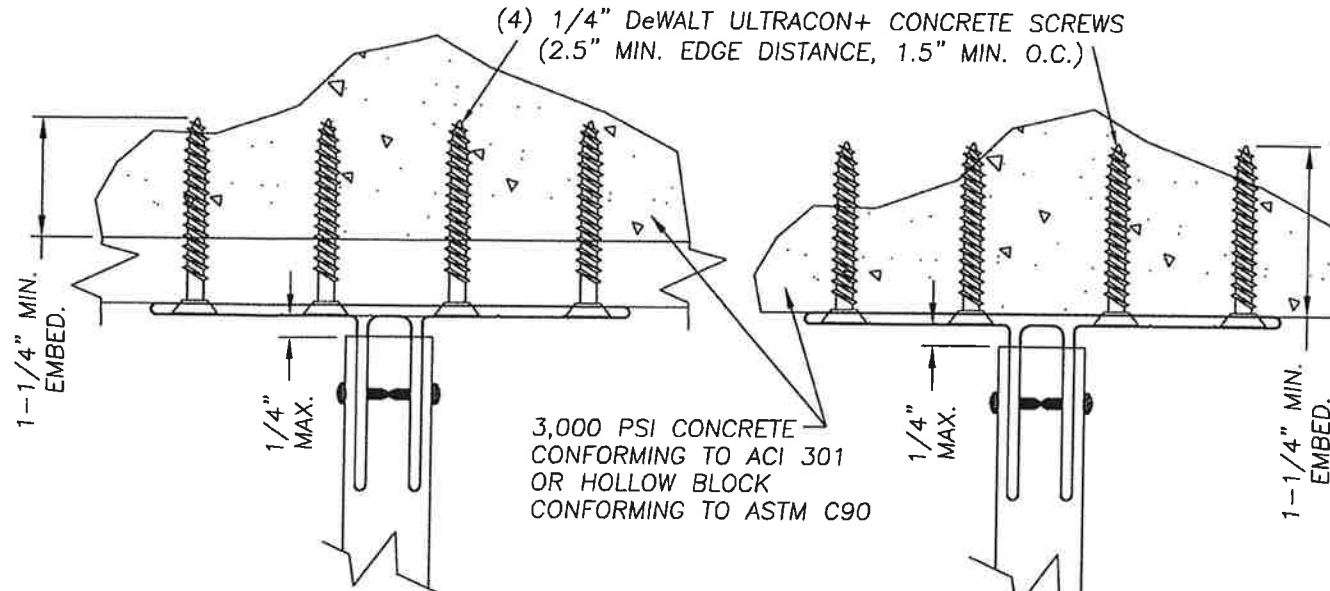
MULLION
MAT'L: 6063-T6



BASIC MULLION BRACKET ANCHORING
FOR CONCRETE SCREW CONNECTIONS &
SMS SCREW (MULL TO MULL) CONNECTIONS



BASIC MULLION BRACKET ANCHORING
FOR WOOD SCREW APPLICATIONS
(OFFSET BRACKET SHOWN)

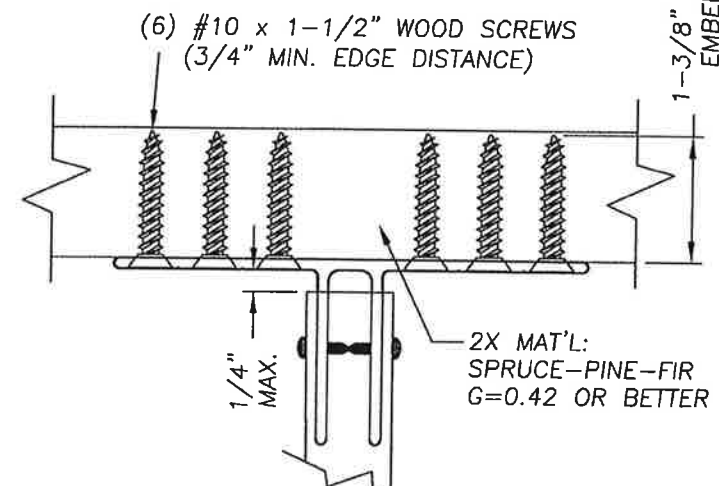


(4) 1/4" DeWALT ULTRACON+ CONCRETE SCREWS
(2.5" MIN. EDGE DISTANCE, 1.5" MIN. O.C.)

3,000 PSI CONCRETE
CONFORMING TO ACI 301
OR HOLLOW BLOCK
CONFORMING TO ASTM C90

ANCHOR THROUGH 1X BUCK
USING 1/4" X 2-1/4"
CONCRETE SCREWS

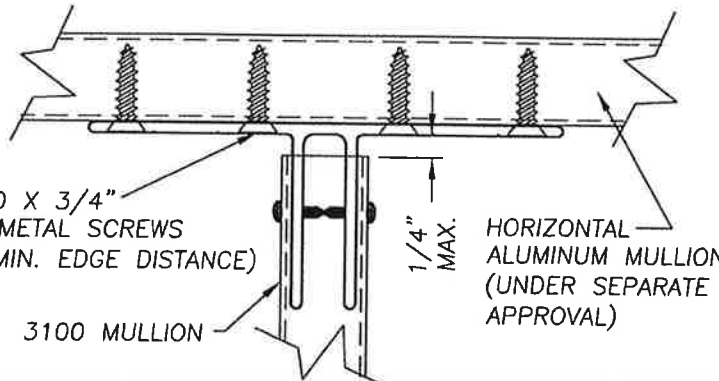
ANCHOR TO MASONRY
USING 1/4" X 1-3/4"
CONCRETE SCREWS



(6) #10 x 1-1/2" WOOD SCREWS
(3/4" MIN. EDGE DISTANCE)

2X MAT'L:
SPRUCE-PINE-FIR
G=0.42 OR BETTER

ANCHOR TO 2X STUD OR TO 2X BUCK
USING #10 X 1-1/2" WOOD SCREWS

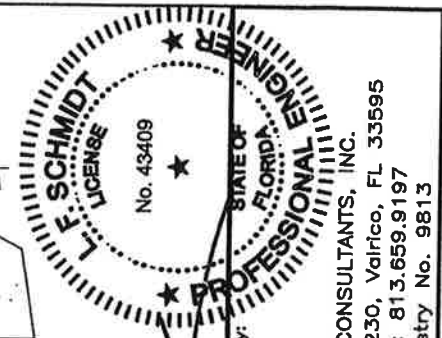


(4) #10 X 3/4"
SHEET METAL SCREWS
(1/2" MIN. EDGE DISTANCE)

HORIZONTAL
ALUMINUM MULLION
(UNDER SEPARATE
APPROVAL)

3100 MULLION

MULLION TO MULLION ANCHORING



Sept. 30, 2020
Documents Prepared By:
Lyndon F. Schmidt
P.E. No. 43409

R.W. BUILDING CONSULTANTS, INC.
P.O. Box 230, Valrico, FL 33595
Phone No.: 813.659.9197
FBPE Registry No. 9813

PRODUCT:		3100 STRUCTURAL MULLION	
LFS	UPDATE TO 7TH ED. (2020) FBC	LFS	DATE
LFS	UPDATE TO 6TH ED. (2017) FBC	LFS	NO.
LFS	ADD OFFSET ANCHOR BRACKET	JK	DATE
JK	UPDATE TO 5TH ED. (2014) FBC	KV	NO.
KV	UPDATE TO 2010 FBC	BY	DATE
BY			
REVISIONS			
5	9/30/20	UPDATE TO 7TH ED. (2020) FBC	DATE: 12/11/08
4	7/27/17	UPDATE TO 6TH ED. (2017) FBC	SCALE: NTS
3	5/09/16	ADD OFFSET ANCHOR BRACKET	DWG. BY: DWS
2	3/03/15	UPDATE TO 5TH ED. (2014) FBC	CHK. BY: LFS
1	11/08/11	UPDATE TO 2010 FBC	DRAWING NO.: FL-12078.1
			SHEET 4 OF 4



[BCIS Home](#) |
 [Log In](#) |
 [User Registration](#) |
 [Hot Topics](#) |
 [Submit Surcharge](#) |
 [Stats & Facts](#) |
 [Publications](#) |
 [Contact Us](#) |
 [BCIS Site Map](#) |
 [Links](#)



Product Approval
USER: Public User

[Product Approval Menu](#) >
 [Product or Application Search](#) >
 [Application List](#) >
 [Application Detail](#)



FL # FL9909-R16
Application Type Revision
Code Version 2020
Application Status Approved

-19

Comments
Archived

Product Manufacturer Associated Materials Inc.
Address/Phone/Email 3773 State Road
 Cuyahoga Falls, OH 44223
 (330) 922-2108
 rickw@rwbldgconsultants.com

Authorized Signature Marsh Fernbaugh
 rickw@rwbldgconsultants.com

Technical Representative
Address/Phone/Email

Quality Assurance Representative
Address/Phone/Email

Category Windows
Subcategory Fixed

Compliance Method Evaluation Report from a Florida Registered Architect or a Licensed Florida Professional Engineer
 Evaluation Report - Hardcopy Received

Florida Engineer or Architect Name who developed the Evaluation Report Lyndon F. Schmidt, P.E.
Florida License PE-43409
Quality Assurance Entity Architectural Testing, Inc., an Intertek Company
Quality Assurance Contract Expiration Date 12/31/2023
Validated By Ryan J. King, P.E.
 Validation Checklist - Hardcopy Received

Certificate of Independence [FL9909 R16 COI \(d\) Certificate of Independence.pdf](#)

Referenced Standard and Year (of Standard)	Standard	Year
	AAMA/WDMA/CSA101/I.S.2/A440	2008
	AAMA/WDMA/CSA101/I.S.2/A440	2011
	ASTM E1886	2005
	ASTM E1886	2013

ASTM E1996 2017
 ASTM E1996 2014
 ASTM E1996 2012

Equivalence of Product Standards
 Certified By

Florida Licensed Professional Engineer or Architect
[FL9909_R16_Equiv_of_Standards\(d\).pdf](#)

Sections from the Code

Product Approval Method Method 1 Option D

Date Submitted 09/26/2020
 Date Validated 09/28/2020
 Date Pending FBC Approval 10/09/2020
 Date Approved 12/15/2020

Summary of Products

Go to Page

FL #	Model, Number or Name	Description
9909.1	a. Model 0104	Extruded PVC "Non-Impact" Fixed Window with Nailing Fin
Limits of Use Approved for use in HVHZ: No Approved for use outside HVHZ: Yes Impact Resistant: No Design Pressure: N/A Other: See INST 9909.1 for Design Pressure Ratings, any additional use limitations, installation instructions and product particulars.		Installation Instructions FL9909_R16_II (c) Inst 9909.1.pdf Verified By: Lyndon F. Schmidt, P.E. 43409 Created by Independent Third Party: Yes Evaluation Reports FL9909_R16_AE (c) Eval 9909.1.pdf Created by Independent Third Party: Yes
9909.2	b. Model 0170	Extruded PVC "Non-Impact" Fixed Window with Nailing Fin
Limits of Use Approved for use in HVHZ: No Approved for use outside HVHZ: Yes Impact Resistant: No Design Pressure: N/A Other: See INST 9909.2 for Design Pressure Ratings, any additional use limitations, installation instructions and product particulars.		Installation Instructions FL9909_R16_II (c) Inst 9909.2.pdf Verified By: Lyndon F. Schmidt, P.E. 43409 Created by Independent Third Party: Yes Evaluation Reports FL9909_R16_AE (c) Eval 9909.2.pdf Created by Independent Third Party: Yes
9909.3	c. Model L204	Extruded PVC "Non-Impact" Fixed Window
Limits of Use Approved for use in HVHZ: No Approved for use outside HVHZ: Yes Impact Resistant: No Design Pressure: N/A Other: See INST 9909.3 for Design Pressure Ratings, any additional use limitations, installation instructions and product particulars.		Installation Instructions FL9909_R16_II (c) Inst 9909.3.pdf Verified By: Lyndon F. Schmidt, P.E. 43409 Created by Independent Third Party: Yes Evaluation Reports FL9909_R16_AE (c) Eval 9909.3.pdf Created by Independent Third Party: Yes
9909.4	d. Model 0504	Extruded PVC "Non-Impact" Fixed Window
Limits of Use Approved for use in HVHZ: No Approved for use outside HVHZ: Yes Impact Resistant: No Design Pressure: N/A Other: See INST 9909.4 for Design Pressure Ratings, any additional use limitations, installation instructions and product particulars.		Installation Instructions FL9909_R16_II (c) Inst 9909.4.pdf Verified By: Lyndon F. Schmidt, P.E. 43409 Created by Independent Third Party: Yes Evaluation Reports FL9909_R16_AE (c) Eval 9909.4.pdf Created by Independent Third Party: Yes

9909.5	e. Model 0604	Extruded PVC "Non-Impact" Fixed Window
<p>Limits of Use Approved for use in HVHZ: No Approved for use outside HVHZ: Yes Impact Resistant: No Design Pressure: N/A Other: See INST 9909.5 for Design Pressure Ratings, any additional use limitations, installation instructions and product particulars.</p>		<p>Installation Instructions FL9909_R16_II_(c)_Inst_9909.5.pdf Verified By: Lyndon F. Schmidt, P.E. 43409 Created by Independent Third Party: Yes Evaluation Reports FL9909_R16_AE_(c)_Eval_9909.5.pdf Created by Independent Third Party: Yes</p>
9909.6	f. Model 0614	Extruded PVC "Non-Impact" Fixed Window
<p>Limits of Use Approved for use in HVHZ: No Approved for use outside HVHZ: Yes Impact Resistant: No Design Pressure: N/A Other: See INST 9909.6 for Design Pressure Ratings, any additional use limitations, installation instructions and product particulars.</p>		<p>Installation Instructions FL9909_R16_II_(c)_Inst_9909.6.pdf Verified By: Lyndon F. Schmidt, P.E. 43409 Created by Independent Third Party: Yes Evaluation Reports FL9909_R16_AE_(c)_Eval_9909.6.pdf Created by Independent Third Party: Yes</p>
9909.7	g. Model 0704	Extruded PVC "Non-Impact" Fixed Window with Nailing Fin
<p>Limits of Use Approved for use in HVHZ: No Approved for use outside HVHZ: Yes Impact Resistant: No Design Pressure: N/A Other: See INST 9909.7 for Design Pressure Ratings, any additional use limitations, installation instructions and product particulars.</p>		<p>Installation Instructions FL9909_R16_II_(c)_Inst_9909.7.pdf Verified By: Lyndon F. Schmidt, P.E. 43409 Created by Independent Third Party: Yes Evaluation Reports FL9909_R16_AE_(c)_Eval_9909.7.pdf Created by Independent Third Party: Yes</p>
9909.8	h. Model 0970	Extruded PVC "Non-Impact" Fixed Window
<p>Limits of Use Approved for use in HVHZ: No Approved for use outside HVHZ: Yes Impact Resistant: No Design Pressure: N/A Other: See INST 9909.8 for Design Pressure Ratings, any additional use limitations, installation instructions and product particulars.</p>		<p>Installation Instructions FL9909_R16_II_(c)_Inst_9909.8.pdf Verified By: Lyndon F. Schmidt, P.E. 43409 Created by Independent Third Party: Yes Evaluation Reports FL9909_R16_AE_(c)_Eval_9909.8.pdf Created by Independent Third Party: Yes</p>
9909.9	i. Model 8014	Extruded PVC "Non-Impact" Fixed Window
<p>Limits of Use Approved for use in HVHZ: No Approved for use outside HVHZ: Yes Impact Resistant: No Design Pressure: N/A Other: See INST 9909.9 for Design Pressure Ratings, any additional use limitations, installation instructions and product particulars.</p>		<p>Installation Instructions FL9909_R16_II_(c)_Inst_9909.9.pdf Verified By: Lyndon F. Schmidt, P.E. 43409 Created by Independent Third Party: Yes Evaluation Reports FL9909_R16_AE_(c)_Eval_9909.9.pdf Created by Independent Third Party: Yes</p>
9909.10	j. Model 9014	Extruded PVC "Non-Impact" Fixed Window
<p>Limits of Use Approved for use in HVHZ: No Approved for use outside HVHZ: Yes Impact Resistant: No Design Pressure: N/A Other: See INST 9909.10 for Design Pressure Ratings, any additional use limitations, installation instructions and product particulars.</p>		<p>Installation Instructions FL9909_R16_II_(c)_Inst_9909.10.pdf Verified By: Lyndon F. Schmidt, P.E. 43409 Created by Independent Third Party: Yes Evaluation Reports FL9909_R16_AE_(c)_Eval_9909.10.pdf Created by Independent Third Party: Yes</p>
9909.11	k. Model 3104	Extruded PVC "Non-Impact" Fixed Window
<p>Limits of Use Approved for use in HVHZ: No Approved for use outside HVHZ: Yes Impact Resistant: No Design Pressure: N/A Other: See INST 9909.11 for Design Pressure Ratings, any</p>		<p>Installation Instructions FL9909_R16_II_(c)_Inst_9909.11.pdf Verified By: Lyndon F. Schmidt, P.E. 43409 Created by Independent Third Party: Yes Evaluation Reports FL9909_R16_AE_(c)_Eval_9909.11.pdf</p>

additional use limitations, installation instructions and product particulars.		Created by Independent Third Party: Yes
9909.12	l. Model 3104	Extruded PVC "Non-Impact" Fixed Window with Nailing Fin
Limits of Use Approved for use in HVHZ: No Approved for use outside HVHZ: Yes Impact Resistant: No Design Pressure: N/A Other: See INST 9909.12 for Design Pressure Ratings, any additional use limitations, installation instructions and product particulars.		Installation Instructions FL9909_R16_II_(c)_Inst_9909.12.pdf Verified By: Lyndon F. Schmidt, P.E. 43409 Created by Independent Third Party: Yes Evaluation Reports FL9909_R16_AE_(c)_Eval_9909.12.pdf Created by Independent Third Party: Yes
9909.13	m. Model 3104	Extruded PVC "Impact" Fixed Window
Limits of Use Approved for use in HVHZ: No Approved for use outside HVHZ: Yes Impact Resistant: Yes Design Pressure: N/A Other: See INST 9909.13 for Design Pressure Ratings, any additional use limitations, installation instructions and product particulars.		Installation Instructions FL9909_R16_II_(c)_Inst_9909.13.pdf Verified By: Lyndon F. Schmidt, P.E. 43409 Created by Independent Third Party: Yes Evaluation Reports FL9909_R16_AE_(c)_Eval_9909.13.pdf Created by Independent Third Party: Yes
9909.14	n. Model 3104	Extruded PVC "Impact" Fixed Window with Nailing Fin
Limits of Use Approved for use in HVHZ: No Approved for use outside HVHZ: Yes Impact Resistant: Yes Design Pressure: N/A Other: See INST 9909.14 for Design Pressure Ratings, any additional use limitations, installation instructions and product particulars.		Installation Instructions FL9909_R16_II_(c)_Inst_9909.14.pdf Verified By: Lyndon F. Schmidt, P.E. 43409 Created by Independent Third Party: Yes Evaluation Reports FL9909_R16_AE_(c)_Eval_9909.14.pdf Created by Independent Third Party: Yes
9909.15	o. Model "i" 204	Extruded PVC "Non-Impact" Fixed Window
Limits of Use Approved for use in HVHZ: No Approved for use outside HVHZ: Yes Impact Resistant: No Design Pressure: N/A Other: See INST 9909.15 for Design Pressure Ratings, any additional use limitations, installation instructions and product particulars.		Installation Instructions FL9909_R16_II_(c)_Inst_9909.15.pdf Verified By: Lyndon F. Schmidt, P.E. 43409 Created by Independent Third Party: Yes Evaluation Reports FL9909_R16_AE_(c)_Eval_9909.15.pdf Created by Independent Third Party: Yes
9909.16	p. Model "i" 204	Extruded PVC "Impact" Fixed Window
Limits of Use Approved for use in HVHZ: No Approved for use outside HVHZ: Yes Impact Resistant: Yes Design Pressure: N/A Other: See INST 9909.16 for Design Pressure Ratings, any additional use limitations, installation instructions and product particulars.		Installation Instructions FL9909_R16_II_(c)_Inst_9909.16.pdf Verified By: Lyndon F. Schmidt, P.E. 43409 Created by Independent Third Party: Yes Evaluation Reports FL9909_R16_AE_(c)_Eval_9909.16.pdf Created by Independent Third Party: Yes
9909.17	q. Model "i" 970	Extruded PVC "Non-Impact" Fixed Window
Limits of Use Approved for use in HVHZ: No Approved for use outside HVHZ: Yes Impact Resistant: No Design Pressure: N/A Other: See INST 9909.17 for Design Pressure Ratings, any additional use limitations, installation instructions and product particulars.		Installation Instructions FL9909_R16_II_(c)_Inst_9909.17.pdf Verified By: Lyndon F. Schmidt, P.E. 43409 Created by Independent Third Party: Yes Evaluation Reports FL9909_R16_AE_(c)_Eval_9909.17.pdf Created by Independent Third Party: Yes
9909.18	r. Model "i" 970	Extruded PVC "Impact" Fixed Window
Limits of Use Approved for use in HVHZ: No Approved for use outside HVHZ: Yes		Installation Instructions FL9909_R16_II_(c)_Inst_9909.18.pdf Verified By: Lyndon F. Schmidt, P.E. 43409

Impact Resistant: Yes Design Pressure: N/A Other: See INST 9909.18 for Design Pressure Ratings, any additional use limitations, installation instructions and product particulars.		Created by Independent Third Party: Yes Evaluation Reports FL9909_R16_AE (c) Eval 9909.18.pdf Created by Independent Third Party: Yes
9909.19	s. Model 3004 / 3B04 / 3A04 / 03A4 / 0354	Extruded PVC Fixed "Replacement" Window - "Non-Impact"
Limits of Use Approved for use in HVHZ: No Approved for use outside HVHZ: Yes Impact Resistant: No Design Pressure: N/A Other: See INST 9909.19 for Design Pressure Ratings, any additional use limitations, installation instructions and product particulars.		Installation Instructions FL9909_R16_II (c) Inst 9909.19.pdf Verified By: Lyndon F. Schmidt, P.E. 43409 Created by Independent Third Party: Yes Evaluation Reports FL9909_R16_AE (c) Eval 9909.19.pdf Created by Independent Third Party: Yes
9909.20	t. Model 3004 / 3A04 / 03A4 / 0354	Extruded PVC Fixed "New Construction" (Nail Fin) Window - "Non-Impact"
Limits of Use Approved for use in HVHZ: No Approved for use outside HVHZ: Yes Impact Resistant: No Design Pressure: N/A Other: See INST 9909.20 for Design Pressure Ratings, any additional use limitations, installation instructions and product particulars.		Installation Instructions FL9909_R16_II (c) Inst 9909.20.pdf Verified By: Lyndon F. Schmidt, P.E. 43409 Created by Independent Third Party: Yes Evaluation Reports FL9909_R16_AE (c) Eval 9909.20.pdf Created by Independent Third Party: Yes

Go to Page

Page 1 / 2

[Back](#) [Next](#)

Contact Us : 2601 Blair Stone Road, Tallahassee, FL 32399 Phone: 850-487-1824

The State of Florida is an AA/EEO employer. Copyright 2007-2013 State of Florida. :: [Privacy Statement](#) :: [Accessibility Statement](#) :: [Refund Statement](#)

Under Florida law, email addresses are public records. If you do not want your e-mail address released in response to a public-records request, do not send electronic mail to this entity. Instead, contact the office by phone or by traditional mail. If you have any questions, please contact 850.487.1395. *Pursuant to Section 455.275(1), Florida Statutes, effective October 1, 2012, licensees licensed under Chapter 455, F.S. must provide the Department with an email address if they do not have one. The emails provided may be used for official communication with the licensee. However, email addresses are public record. If you do not wish to supply a personal address, please provide the Department with an email address which can be made available to the public. To determine if you are a licensee under Chapter 455, F.S., please click [here](#).

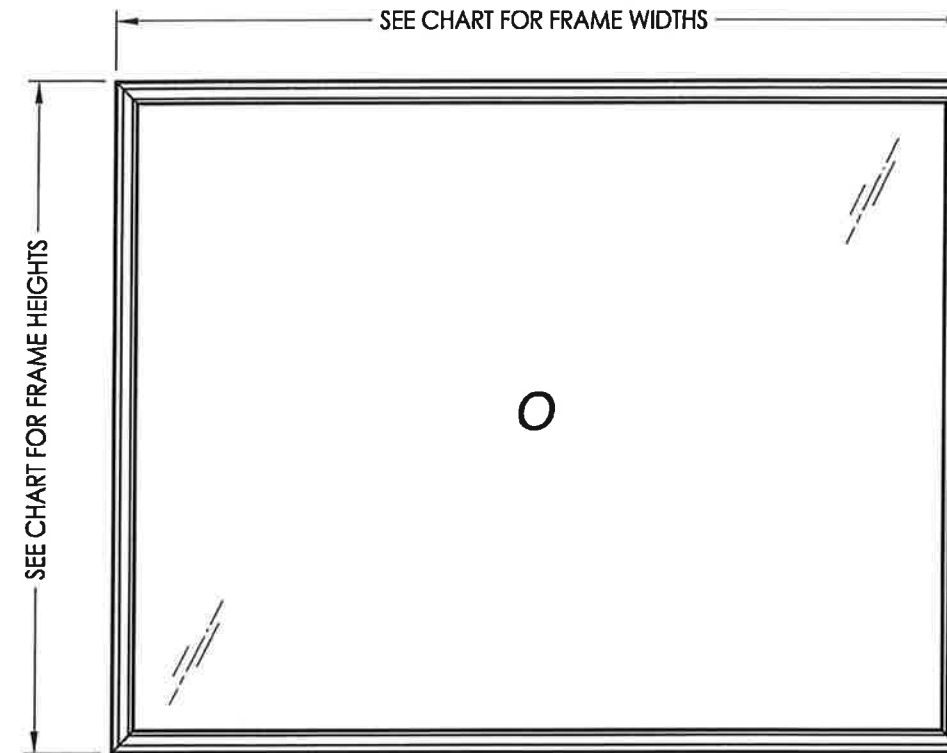


MODEL 3004/3B04/3A04/03A4/03S4
VINYL FIXED "Replacement" WINDOW
"NON-IMPACT"

GENERAL NOTES

1. This product has been evaluated and is in compliance with the 7th Edition (2020) Florida Building Code (FBC) structural requirements excluding the "High Velocity Hurricane Zone" (HVHZ).
2. Product anchors shall be as listed and spaced as shown on details. Anchor embedment to base material shall be beyond wall dressing or stucco.
3. When used in areas requiring wind borne debris protection this product is required to be protected with an impact resistant covering that complies with FBC Sections 1609.1.2 & R301.2.1.2.
4. For 2x stud framing construction, anchoring of these units shall be the same as that shown for 2x buck masonry construction.
5. Site conditions that deviate from the details of this drawing require further engineering analysis by a licensed engineer or registered architect.

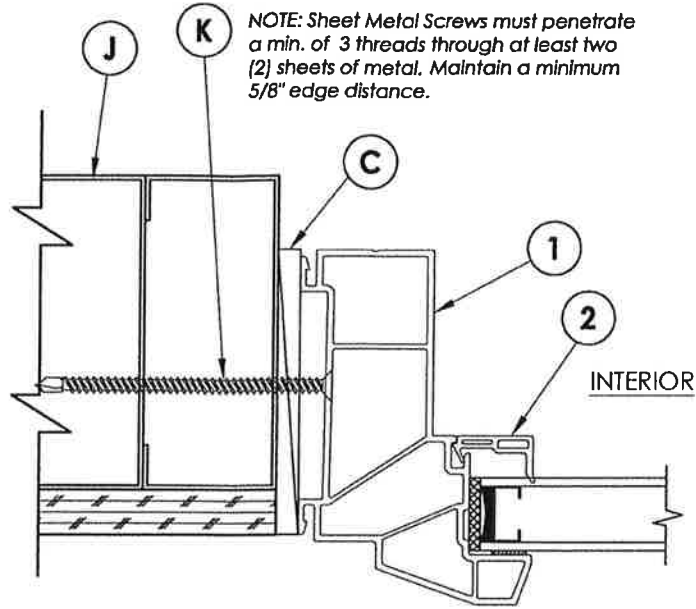
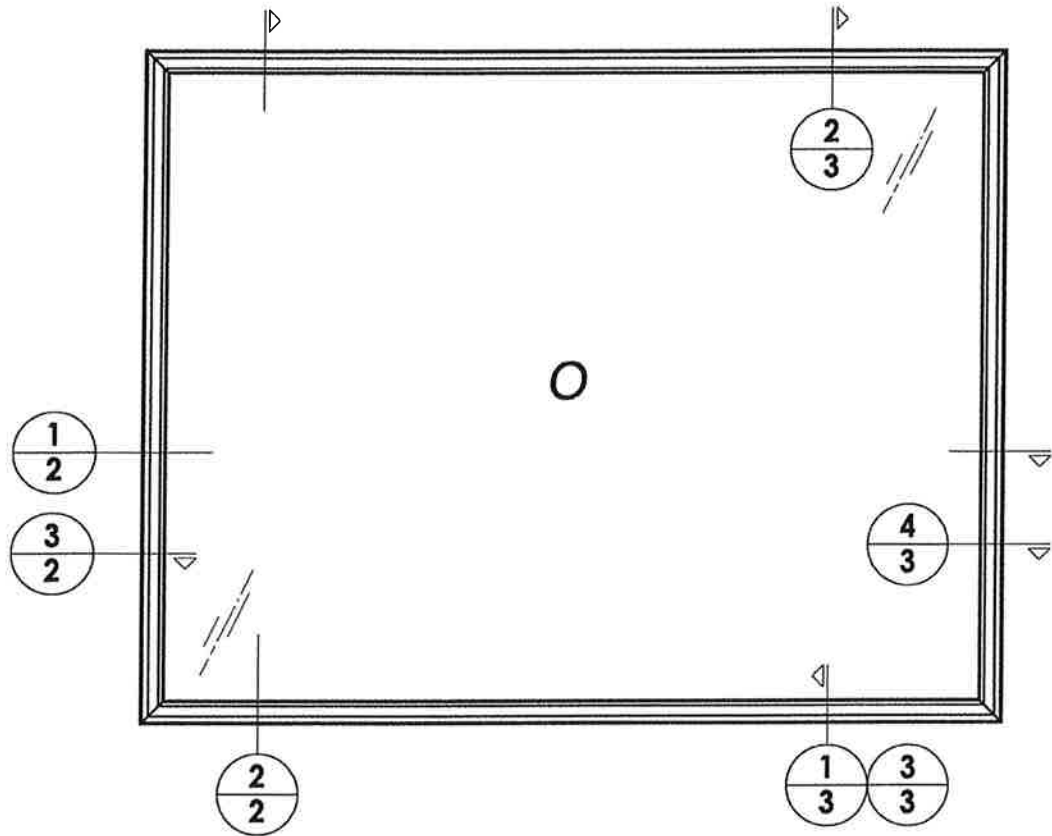
TABLE OF CONTENTS	
SHEET #	DESCRIPTION
1	Typical elevations, design pressures & general notes
2	Vertical & horizontal cross sections
3	Vertical & horizontal cross sections
4	Buck & frame anchoring
5	Buck & frame anchoring
6	Bill of materials, glazing details and components



OVERALL FRAME DIMENSION	OVERALL DAY LIGHT DIMENSION	GLASS TYPE	DESIGN PRESSURE (PSF)		ANCHORING DETAIL
			POS.	NEG.	
96.0" X 60.0"	90.75" X 54.75"	G1	+50.0	-50.0	SEE SHEET 5
72.0" X 72.0"	66.75" X 66.75"	G2	+50.0	-50.0	
72.0" X 84.0"	66.75" X 78.75"		+40.0	-40.0	
72.0" X 50.0"	66.75" X 44.75"	G3	+50.0	-75.0	SEE SHEET 4
60.0" X 60.0"	54.75" X 54.75"		+50.0	-55.0	

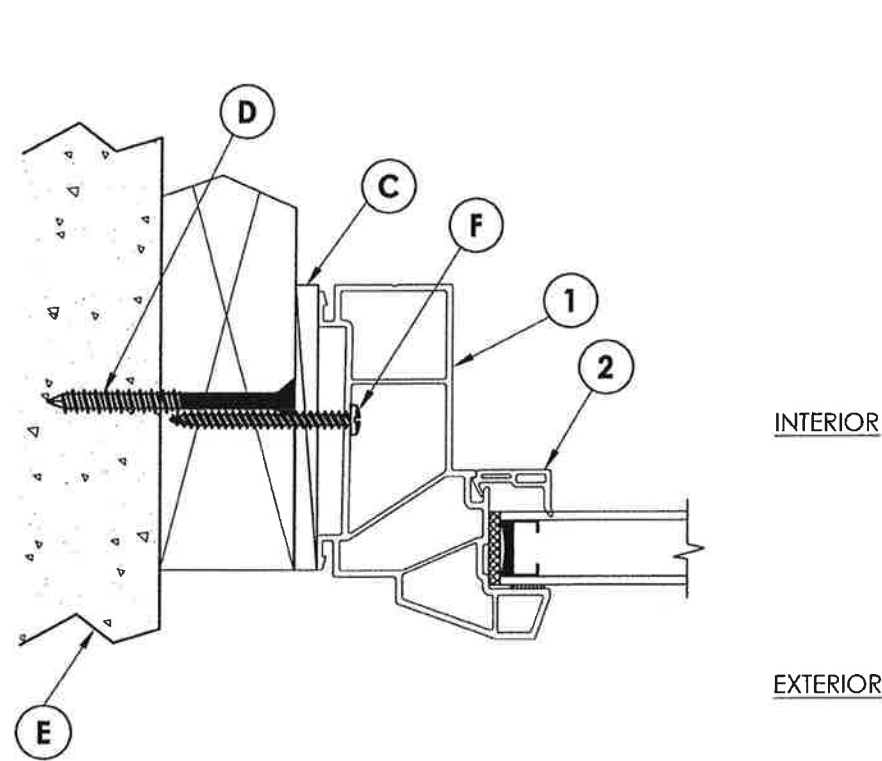
September 23, 2020
 Documents Prepared By:
 Lyndon F. Schmidt
 P.E. No. 43409
 R.W. BUILDING CONSULTANTS, INC.
 P.O. Box 230, Valrico, FL 33595
 Phone No.: 813.659.9197
 FBPE Registry No. 9813

PRODUCT: FIXED WINDOW		DAC	REVISIONS
PART OR ASSEMBLY: TYPICAL ELEVATION, DESIGN PRESSURES & GENERAL NOTES		LFS	
6	8/19/20	UPDATE TO 7TH ED. (2020) FBC	
5	2/14/19	REVISE DESIGN PRESSURE TABLE	
4	8/24/17	UPDATE TO 6TH ED. (2017) FBC	
3	7/12/16	UPDATE B.O.M. & ADD COMPONENTS	
2	7/7/15	REVISE DESIGN PRESSURES	
1	1/27/15	UPDATE TO 5TH ED. (2014) FBC	
	NO. DATE		
DATE: 10/23/13			
SCALE: N.T.S.			
DWG. BY: JK			
CHK. BY: LFS			
DRAWING NO.: FL-9909.19			
SHEET 1 OF 6			

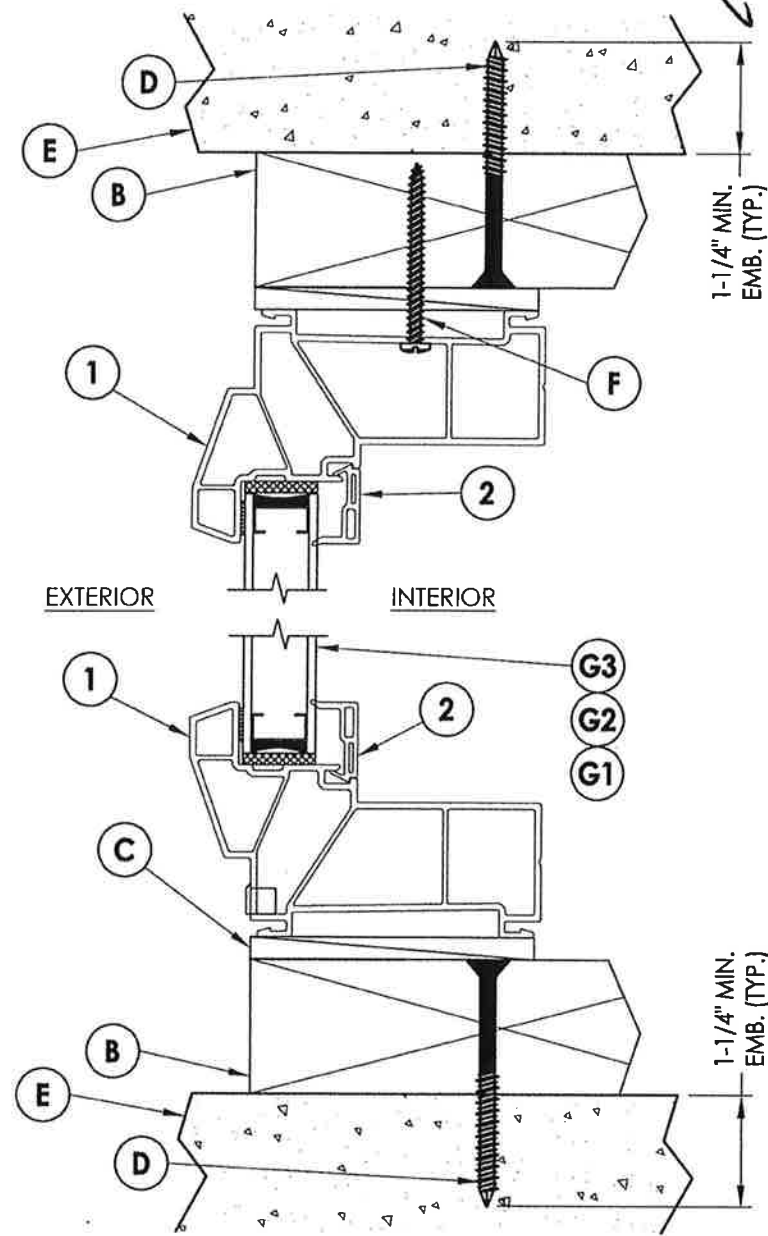
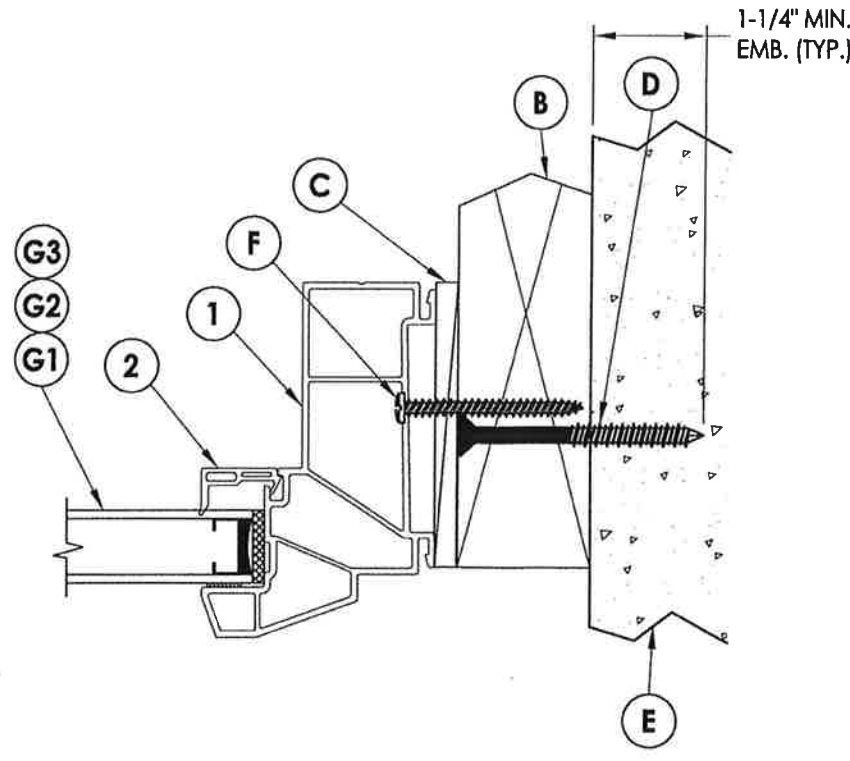


3 HORIZONTAL CROSS SECTION
 2 Shown w/ Steel Stud Framing Option

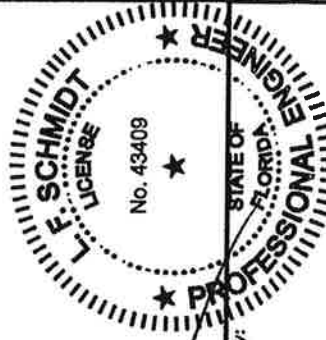
NOTE: Sheet Metal Screws must penetrate a min. of 3 threads through at least two (2) sheets of metal. Maintain a minimum 5/8" edge distance.



1 HORIZONTAL CROSS SECTION
 2 2X Buck Masonry Construction



2 VERTICAL CROSS SECTION
 2 2X Buck Masonry Construction

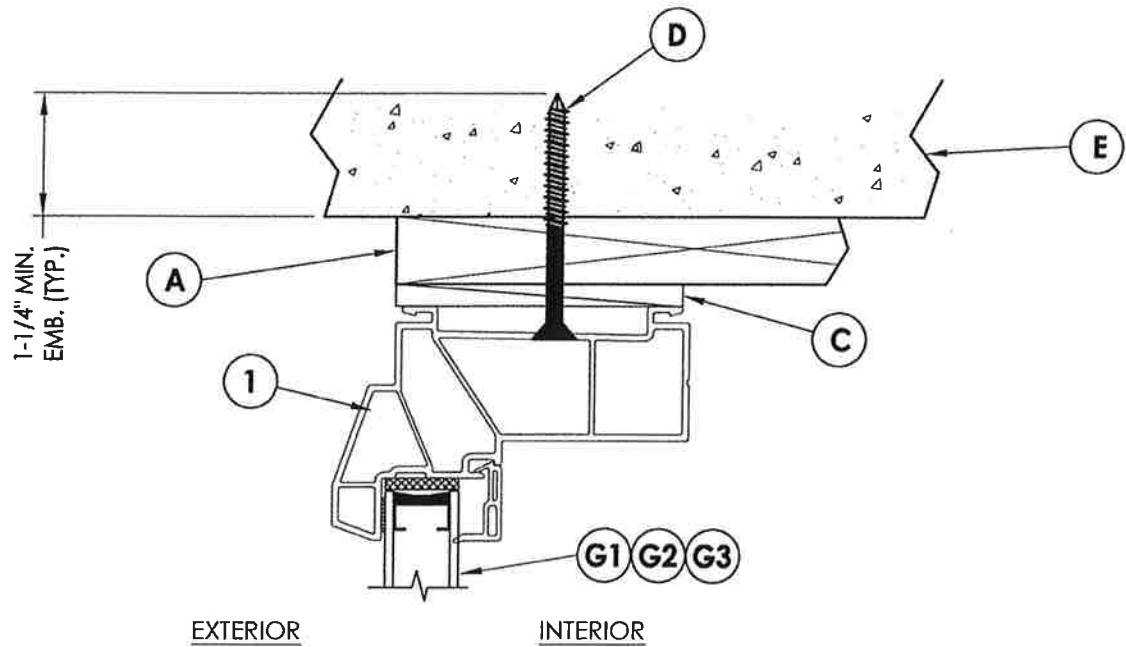


September 23, 2020
 Documents Prepared By:
 Lyndon F. Schmidt
 P.E. No. 43409

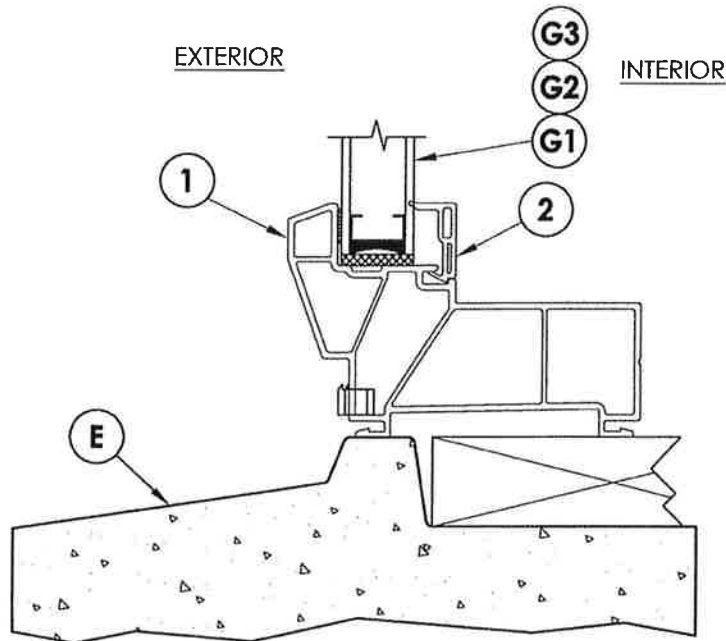
RW BUILDING CONSULTANTS, INC.
 P.O. Box 230, Vairico, FL 33595
 Phone No.: 813.659.9197
 FBPE Registry No. 9813

DATE: 10/23/13		REVISIONS	
SCALE: N.T.S.		NO. DATE	
DWG. BY: JK		BY	
CHK. BY: LFS		JK	
DRAWING NO.: FL-9909.19		LFS	
SHEET 2 OF 6		JK	
PRODUCT: FIXED WINDOW		LFS	
PART OR ASSEMBLY: VERTICAL & HORIZONTAL CROSS SECTIONS		JK	
DATE: 10/23/13		LFS	
SCALE: N.T.S.		JK	
DWG. BY: JK		LFS	
CHK. BY: LFS		JK	
DRAWING NO.: FL-9909.19		LFS	
SHEET 2 OF 6		JK	

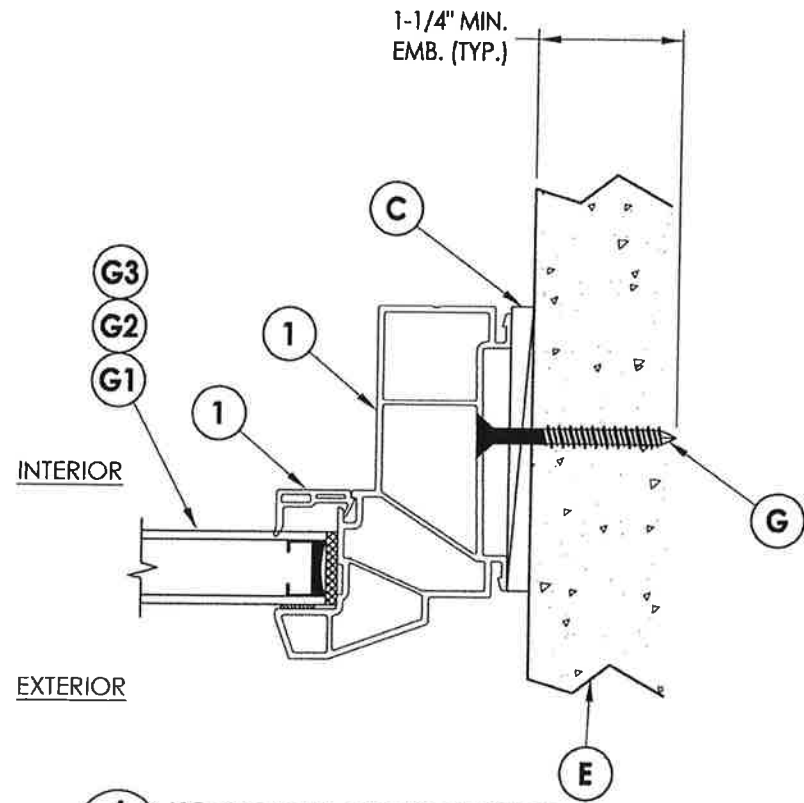
R:\Clients\Associated PERMANENTA - Florida Product Approvals\FL-9909 Windows - FixedC - Drawings\FL-9909 (2020)\FL-9909.19.dwg, 18-3



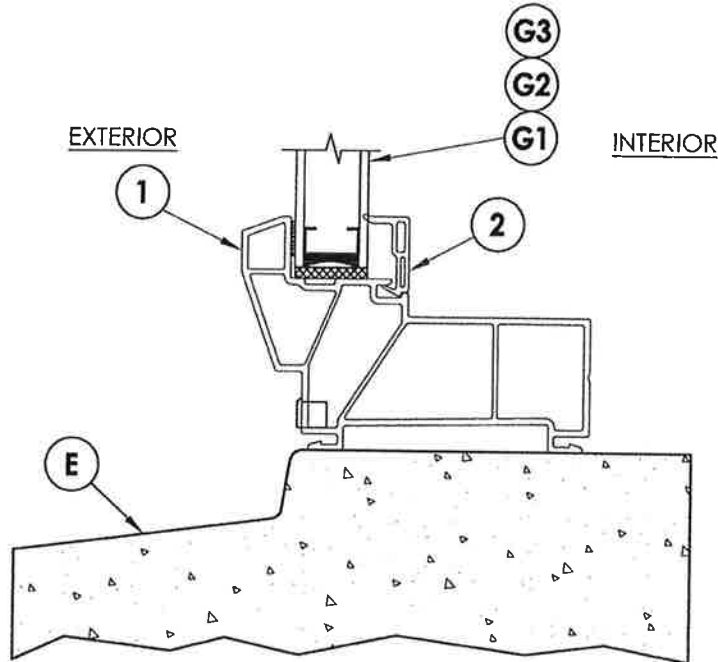
2 VERTICAL CROSS SECTION
3 Shown w/IX sub-buck



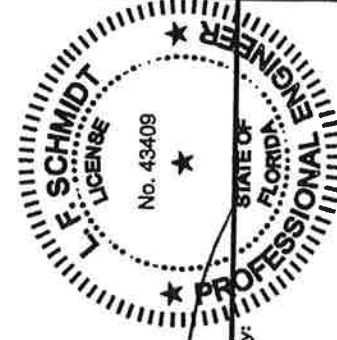
1 VERTICAL CROSS SECTION
3 Optional masonry sill



4 HORIZONTAL CROSS SECTION
3 Shown Direct to Masonry



3 VERTICAL CROSS SECTION
3 Optional masonry sill



F. Schmidt

September 23, 2020
 Documents Prepared By:
 Lyndon F. Schmidt
 P.E. No. 43409

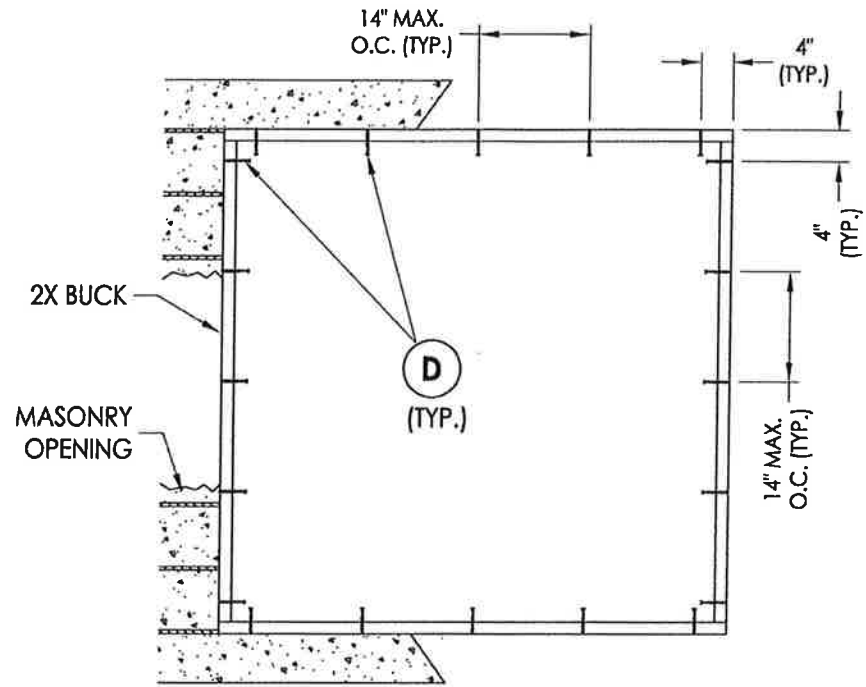
RW BUILDING CONSULTANTS, INC.
 P.O. Box 230, Valrico, FL 33595
 Phone No.: 813.659.9197
 FBPE Registry No. 9813

PRODUCT:		FIXED WINDOW		
PART OR ASSEMBLY:		VERTICAL & HORIZONTAL CROSS SECTIONS		

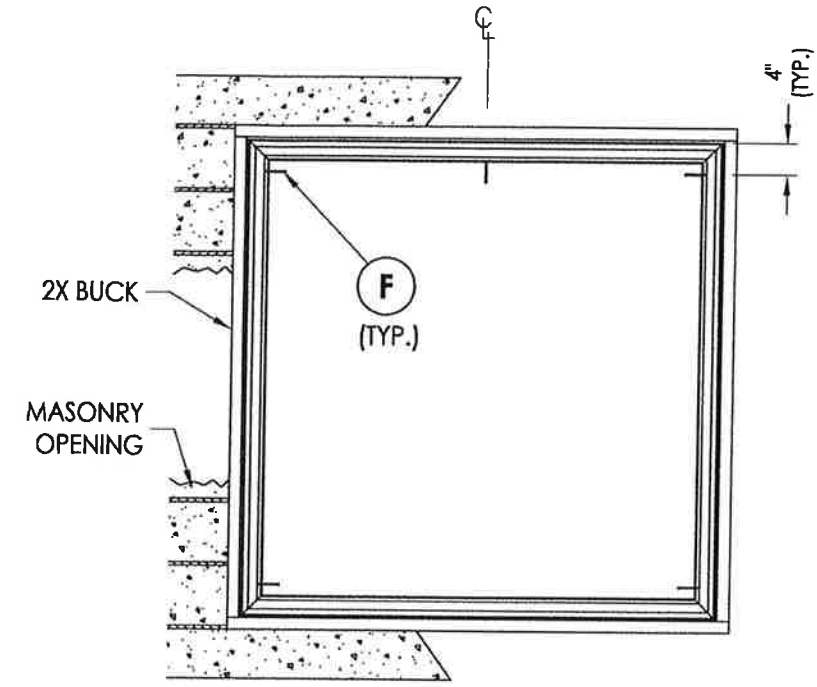
DAC	LFS	LFS	JK	LFS	JK	BY
6	8/19/20	UPDATE TO 7TH ED. (2020) FBC	REVISIONS			
5	2/14/19	REVISE DESIGN PRESSURE TABLE				
4	8/24/17	UPDATE TO 6TH ED. (2017) FBC				
3	7/12/16	UPDATE B.O.M. & ADD COMPONENTS				
2	7/7/15	REVISE DESIGN PRESSURES				
1	1/27/15	UPDATE TO 5TH ED. (2014) FBC				
NO	DATE					

DATE:	10/23/13
SCALE:	N.T.S.
DWG. BY:	JK
CHK. BY:	LFS
DRAWING NO.:	FL-9909.19
SHEET	3 OF 6

© 2013 R.W. BUILDING CONSULTANTS INC.

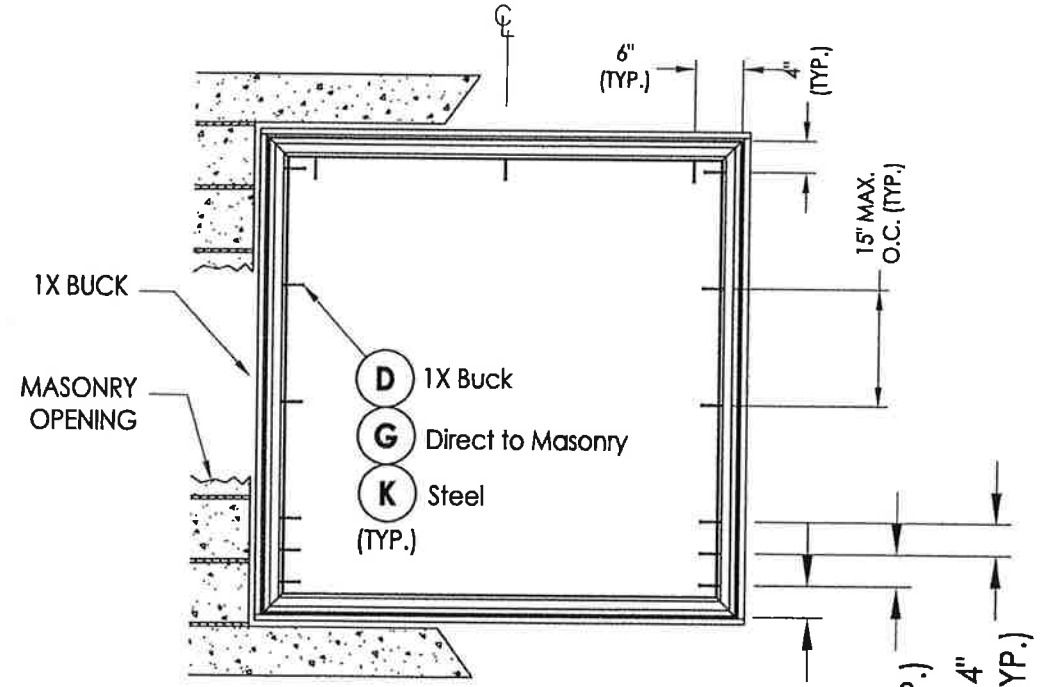


BUCK ANCHORING
(2X BUCK)



FRAME ANCHORING
(2X BUCK)

Frame Size up to 60" x 60" Max



BUCK ANCHORING
(1x Buck, Direct to Masonry, Steel Stud)

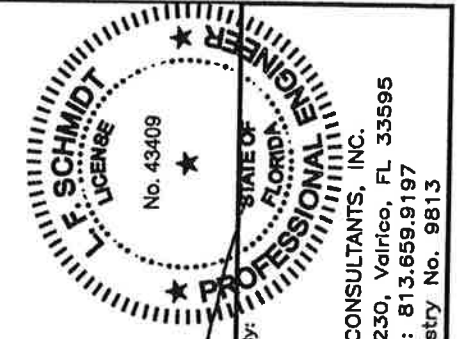
CONCRETE ANCHOR NOTES:

- Concrete anchor locations at the corners may be adjusted to maintain the min. edge distance to mortar joints.
- Concrete anchor locations noted as "MAX. ON CENTER" must be adjusted to maintain the min. edge distance to mortar joints, additional concrete anchors may be required to ensure the "MAX. ON CENTER" dimension are not exceeded.
- Concrete anchor table:

ANCHOR TYPE	ANCHOR SIZE	MIN. EMBEDMENT	MIN. CLEARANCE TO MASONRY EDGE	MIN. CLEARANCE TO ADJACENT ANCHOR
ITW TAPCON®	1/4"	1-1/4"	2"	4"
DeWALT ULTRACON®	1/4"	1-1/4"	1"	4"

WOOD SCREW INSTALLATION NOTES:

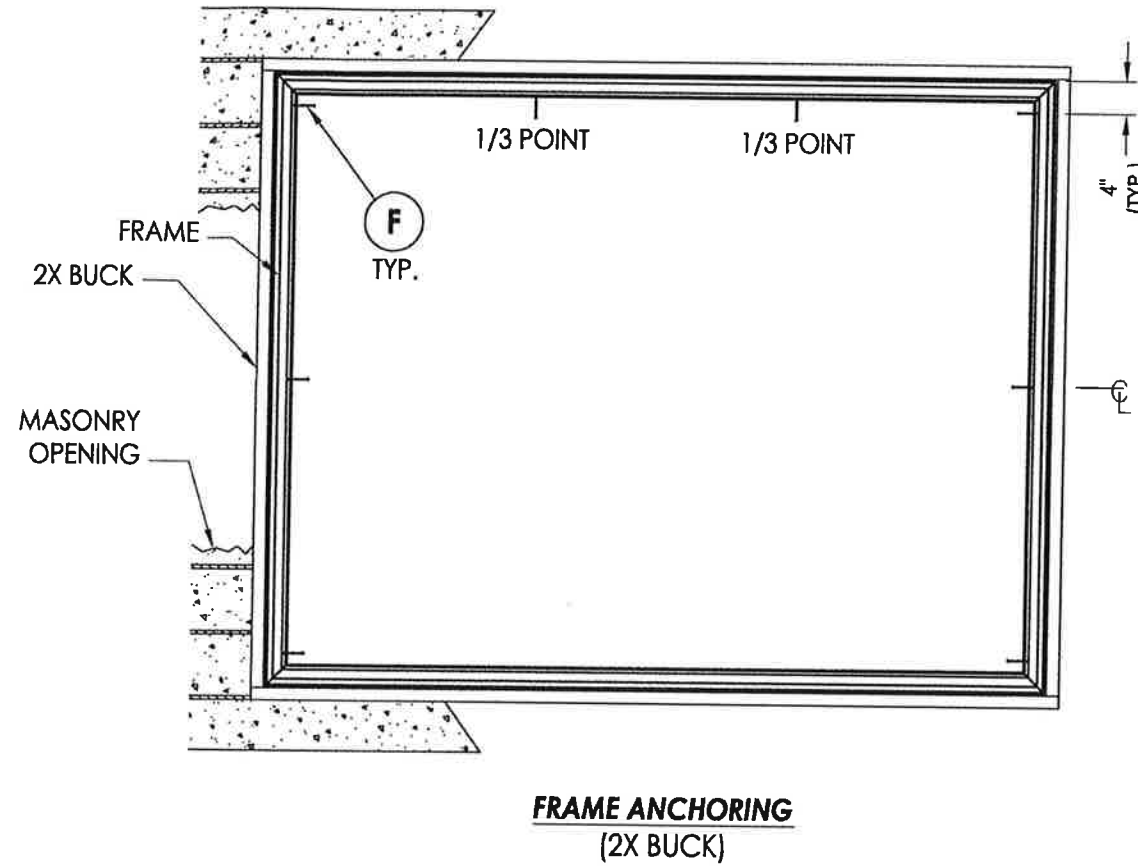
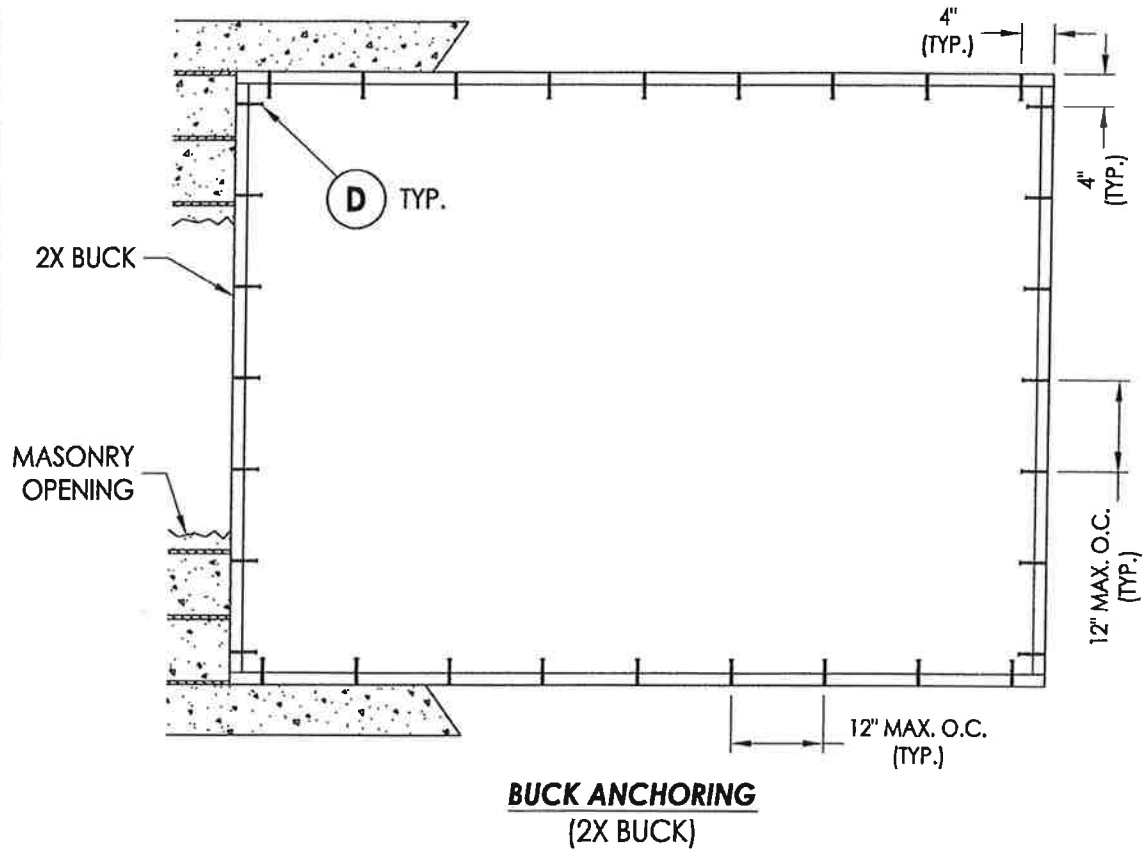
- Maintain a minimum 5/8" edge distance, 1" end distance, & 1" o.c. spacing of wood screws to prevent the splitting of wood.



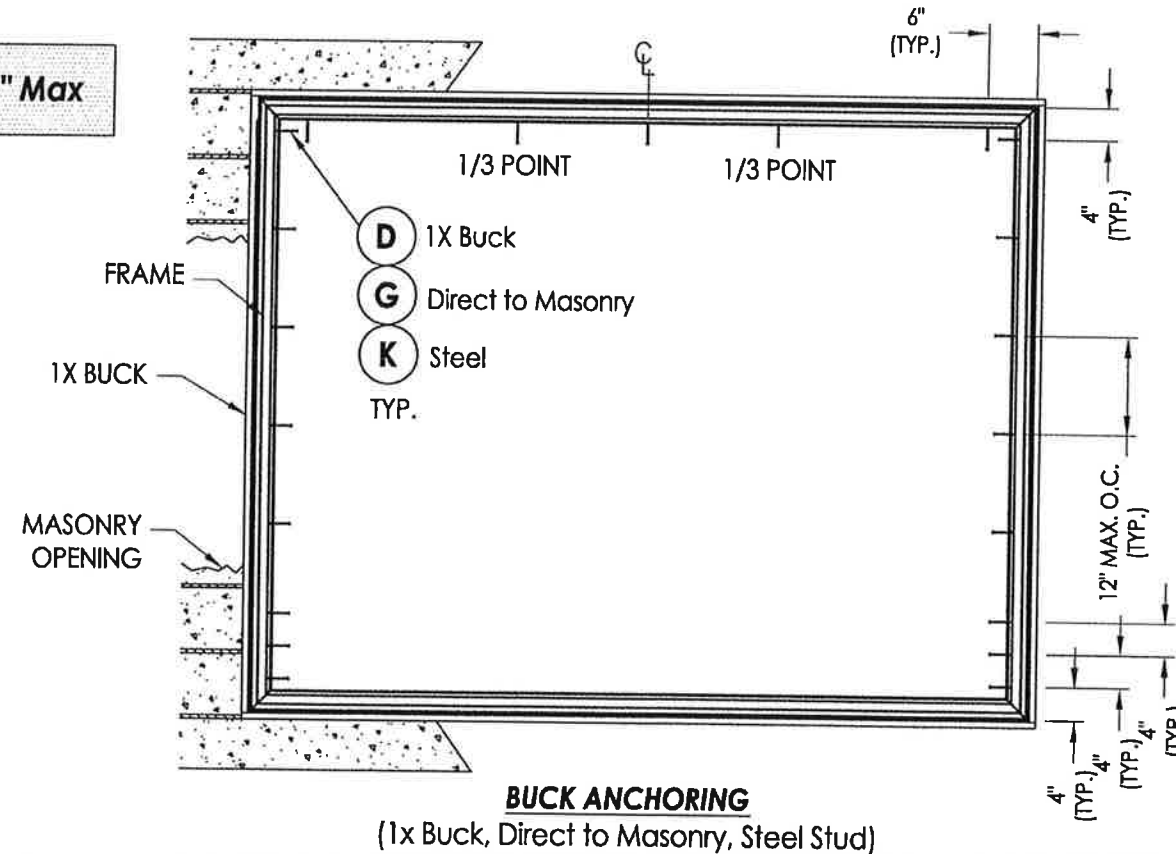
September 23, 2020
 Documents Prepared By:
 Lyndon F. Schmidt
 P.E. No. 43409
 R.W. BUILDING CONSULTANTS, INC.
 P.O. Box 230, Valrico, FL 33595
 Phone No.: 813.659.9197
 FBPE Registry No. 9813

PRODUCT:		FIXED WINDOW	
PART OR ASSEMBLY:		BUCK & FRAME ANCHORING	
NO.	DATE	REVISIONS	BY
6	8/19/20	UPDATE TO 7TH ED. (2020) FBC	DAC
5	2/14/19	REVISE DESIGN PRESSURE TABLE	LFS
4	8/24/17	UPDATE TO 6TH ED. (2017) FBC	LFS
3	7/12/16	UPDATE B.O.M. & ADD COMPONENTS	JK
2	7/7/15	REVISE DESIGN PRESSURES	LFS
1	1/27/15	UPDATE TO 5TH ED. (2014) FBC	JK

DATE: 10/23/13
 SCALE: N.T.S.
 DWG. BY: JK
 CHK. BY: LFS
 DRAWING NO.: FL-9909.19
 SHEET 4 OF 6



Frame Size up to 96" x 72" Max



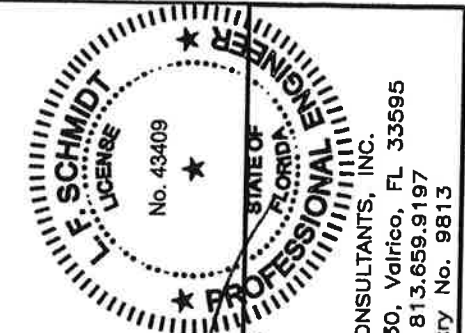
CONCRETE ANCHOR NOTES:

- Concrete anchor locations at the comers may be adjusted to maintain the min. edge distance to mortar joints.
- Concrete anchor locations noted as "MAX. ON CENTER" must be adjusted to maintain the min. edge distance to mortar joints, additional concrete anchors may be required to ensure the "MAX. ON CENTER" dimension are not exceeded.
- Concrete anchor table:

ANCHOR TYPE	ANCHOR SIZE	MIN. EMBEDMENT	MIN. CLEARANCE TO MASONRY EDGE	MIN. CLEARANCE TO ADJACENT ANCHOR
ITW TAPCON®	1/4"	1-1/4"	2"	4"
DeWALT ULTRACON®	1/4"	1-1/4"	1"	4"

WOOD SCREW INSTALLATION NOTES:

- Maintain a minimum 5/8" edge distance, 1" end distance, & 1" o.c. spacing of wood screws to prevent the splitting of wood.



September 23, 2020
 Documents Prepared By:
 Lyndon F. Schmidt
 P.E. No. 43409
 R.W. BUILDING CONSULTANTS, INC.
 P.O. Box 230, Valrico, FL 33595
 Phone No.: 813.659.9197
 FBPE Registry No. 9813

PRODUCT:		REVISIONS	
FIXED WINDOW		NO.	DATE
PART OR ASSEMBLY:		BY	
BUCK & FRAME ANCHORING			

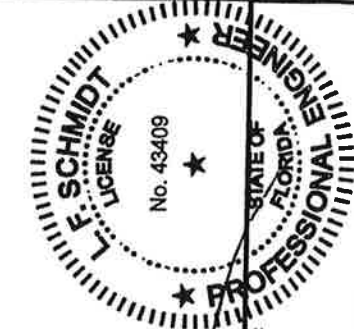
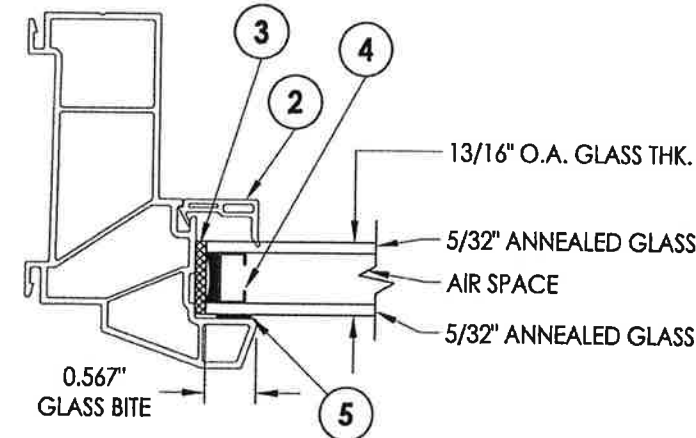
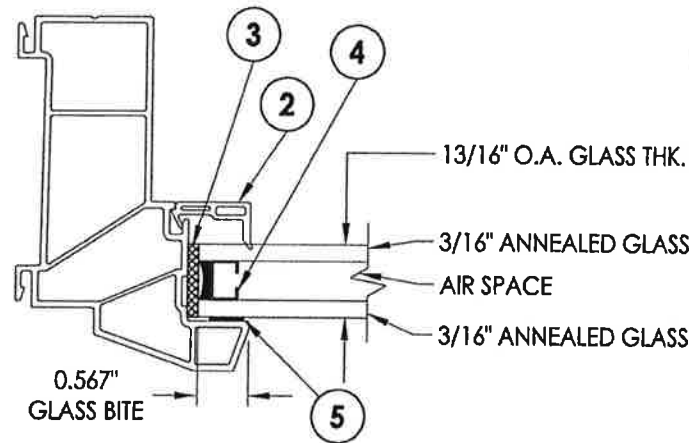
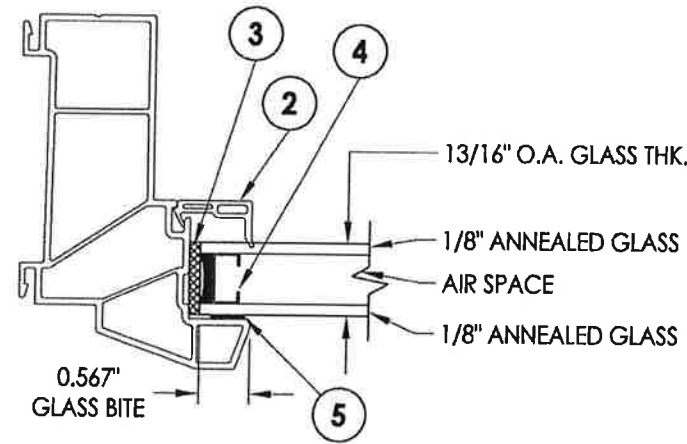
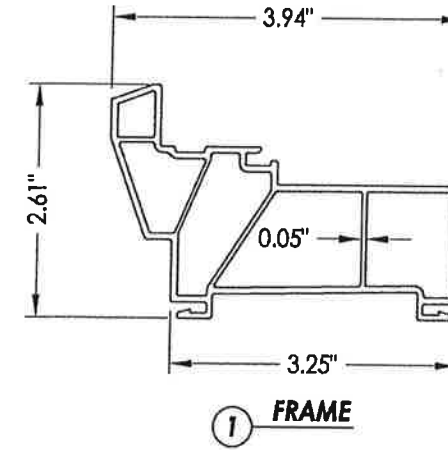
NO.	DATE	REVISIONS
6	8/19/20	UPDATE TO 7TH ED. (2020) FBC
5	2/14/19	REVISE DESIGN PRESSURE TABLE
4	8/24/17	UPDATE TO 6TH ED. (2017) FBC
3	7/12/16	UPDATE B.O.M. & ADD COMPONENTS
2	7/7/15	REVISE DESIGN PRESSURES
1	1/27/15	UPDATE TO 5TH ED. (2014) FBC

DATE: 10/23/13
 SCALE: N.T.S.
 DWG. BY: JK
 CHK. BY: LFS
 DRAWING NO.: FL-9909.19
 SHEET 5 of 6

BILL OF MATERIALS

ITEM #	DESCRIPTION	MATERIAL
A	1X BUCK (SG >= 0.42)	STEEL
B	2X BUCK (SG >= 0.42)	WOOD
C	1/4" MAX. SHIM SPACE	-
D	1/4" X 2-3/4" PFH DeWALT OR ITW CONCRETE SCREW	STEEL
E	MASONRY - 3,000 PSI MIN. CONCRETE CONFORMING TO ACI 301 OR HOLLOW BLOCK CONFORMING TO ASTM C90	CONCRETE
F	#10 X 2" PPH SMS (1-3/8" MIN. EMBEDMENT)	STEEL
G	1/4" X 1-3/4" PFH DeWALT OR ITW CONCRETE SCREW	STEEL
J	STEEL STUD Min. Thk .033" (ASTM A653 GRADE 33 Fy=33 ksi min., Fu=45 ksi min.)	STEEL
K	#10 PPH SELF-DRILLING SMS	STEEL
1	EXTRUDED VINYL FRAME *	RIGID PVC
2	EXTRUDED VINYL GLAZING BEAD *	RIGID PVC
3	GLASS SETTING BLOCK	-
4	GLAZING SPACER	STEEL
5	GLAZING TAPE - DOUBLE SIDE ADHESIVE	-

* THE APPROVED WHITE RIGID PVC EXTERIOR EXTRUSIONS FOR WINDOWS ARE TO BE PRODUCED BY EXTRUDERS LICENSEES IN "AAMA CERTIFICATION PROGRAMS FOR RIGID PVC EXTRUSIONS".



LFS

September 23, 2020
 Documents Prepared By:
 Lyndon F. Schmidt
 P.E. No. 43409

R.W. BUILDING CONSULTANTS, INC.
 P.O. Box 230, Valrico, FL 33595
 Phone No.: 813.659.9197
 FBPE Registry No. 9813

PRODUCT:		FIXED WINDOW	
PART OR ASSEMBLY:		BILL OF MATERIALS, GLAZING DETAILS & COMPONENTS	
DAC	UPDATE TO 7TH ED. (2020)	FBC	REVISIONS
LFS	REVISE DESIGN PRESSURE TABLE	TABLE	
LFS	UPDATE TO 6TH ED. (2017)	FBC	
JK	UPDATE B.O.M. & ADD COMPONENTS	JK	
LFS	REVISE DESIGN PRESSURES	LFS	
JK	UPDATE TO 5TH ED. (2014)	FBC	
BY	NO.	DATE	
	6	8/19/20	UPDATE TO 7TH ED. (2020)
	5	2/14/19	REVISE DESIGN PRESSURE TABLE
	4	8/24/17	UPDATE TO 6TH ED. (2017)
	3	7/12/16	UPDATE B.O.M. & ADD COMPONENTS
	2	7/7/15	REVISE DESIGN PRESSURES
	1	1/27/15	UPDATE TO 5TH ED. (2014)
DATE: 10/23/13			
SCALE: N.T.S.			
DWG. BY: JK			
CHK. BY: LFS			
DRAWING NO.: FL-9909.19			
SHEET 6 OF 6			