



City of Belle Isle Job Site Permit Card WINDOW/DOOR 2021-03-065

Class: RESIDENTIAL

Site Address: 5102 Louvre Ave- Belle Isle, FL 32812

Parcel Number: 17-23-30-4379-02-240. . Municipality Belle Isle

INSPECTIONS CANNOT BE SCHEDULED IF A NOC IS PENDING FOR THIS PROJECT.

Description of Work:

2 Door (s) / Size for Size

=====
Issued: THE HOME DEPOT, FRANCIS, ARTHUR WAYNE

License # CGC061641

Contact # 754 224-2010

Payment/ Issued Date & Method: 4 / 2 / 2021

Picked up by _____ Sent by mail to the mailing address Emailed

Visa Master Card Amex Discover Check / Money Order#

_____ 3125

=====
BUILDING INSPECTOR DATE COMMENTS

900 In Progress			
905 Window/Door Buck			
910 Final			

PLEASE NOTE

In order to schedule any inspections, the **PERMIT / plans-specs.** must be issued and **POSTED** on the **JOB SITE!**

THIS WILL AVOID ANY FAILED INSPECTIONS & RE-INSPECTION FEES. A permit **expires** in 6 months if approved inspections are not recorded /scheduled within that time frame. You are responsible for scheduling and keeping track all of your inspections –

☆ **Inspection requests are to be emailed to BIDScheduling@UniversalEngineering.com; a confirmation email will be sent back to you upon scheduling. Next-Day Inspection requests must be made by 3:00 p.m.**

Please include the following requirements in your request:

- **Project Address**
- **Corresponding Permit Number**
- **Type of Inspection** (Please reference your permit card for inspection codes)
- **Date of Inspection** (If no date is specified, the inspection will be scheduled for the next business day)
- **Contact Name**
- **Contact Phone Number**
- **Gate / Entry code** (If applicable)
- **AM, PM, or Any Time** (We do our best to accommodate time requests but cannot guarantee an exact arrival)

Universal Engineering Sciences - 3532 Maggie Blvd., Orlando, FL 32811407-581-8161
Fax 407-581-0313 www.universalengineering.com

"WARNING TO OWNER: YOUR FAILURE TO RECORD A NOTICE OF COMMENCEMENT MAY RESULT IN YOUR PAYING TWICE FOR IMPROVEMENTS TO YOUR PROPERTY. IF YOU INTEND TO OBTAIN FINANCING, CONSULT WITH YOUR LENDER OR AN ATTORNEY BEFORE RECORDING YOUR NOTICE OF COMMENCEMENT."



RECEIVED
MAR 17 2021
BY:

City of Belle Isle

Universal Engineering Sciences 3532 Maggie Blvd., Orlando, FL 32811
Tel 407-581-8161 * Fax 407-581-0313 * www.universalengineering.com

APPLICATION FOR SIZE-FOR-SIZE WINDOW / DOOR PERMIT

WARNING TO OWNER: YOUR FAILURE TO RECORD A NOTICE OF COMMENCEMENT MAY RESULT IN YOUR PAYING TWICE FOR IMPROVEMENTS TO YOUR PROPERTY. A NOTICE OF COMMENCEMENT MUST BE RECORDED AND POSTED ON THE JOB SITE BEFORE THE FIRST INSPECTION. IF YOU INTEND TO OBTAIN FINANCING, CONSULT WITH YOUR LENDER OR AN ATTORNEY BEFORE RECORDING YOUR NOTICE OF COMMENCEMENT.

DATE OF APPLICATION: _____

PERMIT NUMBER 2021-03-065

PLEASE PRINT. The undersigned hereby applies for a permit to make installations as indicated below:

Project Address 5102 Louvre Ave **5102 Louvre Ave**, Belle Isle, FL 32809^x 32812

Property Owner Beth Nardin Phone 954) 629-6838

Property Owner's Mailing Address 5102 Louvre Ave City Belle Isle,

State FL Zip Code 32812 Parcel Id Number: 17-23-30-4379-02-240 **17-23-30-4379-02-240**

REQUIRED! To obtain this information, please visit <http://www.ocpafi.org/Searches/ParcelSearch.aspx>

Type of Building: Residential Commercial Other

• **REQUIRED! Florida Product Approval Form – NOTE: installation instructions must be posted on-site before your first inspection!!**

Please indicate the nature of work by completing the information below:

Number of Size-for-Size Windows: _____ Number of Size-for-Size Doors: 2 Job Valuation: 12608 **12,608.00**

I hereby certify that the above is true and correct to the best of my knowledge and make Application for Permit as outlined above, and if same is granted I agree to conform to all Florida Building Code Regulations and City Ordinances regulating same and in accordance with plans submitted. The issuance of this permit does not grant permission to violate any applicable Town and/or State of Florida codes and/or ordinances. By signing below, I recognize Republic Services is by legal contract the sole authorized provider of garbage, recycling, yard waste, and commercial garbage and construction debris collection and disposal services with the city limits of the City. Contractors, homeowners and commercial businesses may contact Republic Services at 407-293-8000 to setup accounts for Commercial, Construction Roll Off, or other services needed. Rates are fixed by contract and are available at City Hall or from Republic Services. The City enforces the contract through its code enforcement office. Failure to comply will result in a stop work order.

BY SIGNING THIS APPLICATION, YOU ARE CERTIFYING THAT YOU ARE ACTING AS THE OWNER'S AGENT FOR THIS PERMIT:

LICENSE HOLDER SIGNATURE [Signature] LICENSE # CGC061641 **CGC061641**

LICENSE HOLDER NAME Arthur Wayne Francis COMPANY NAME The Home Depot

Street Address 9208 Florida Palm drive

City Tampa State FL Zip Code 33619 Phone Number 754 224-2010

Email Address Waynefrancisthd@expeditepermit.com

071K 25
12x4 48
73
36.50
106.50

PAID 4-2-21 VISA 3125

OTC

Building Official: _____

Verified Contractor's Licenses & Insurance are on file [Signature] Date 3-19-21

NOTARY PUBLIC
Aaron Hallich
STATE OF FLORIDA
Comm# GG951577
Expires 1/27/2024
Date 3-19-21

Zoning Fee	\$ <u>0</u>
Permit Fee	\$ <u>73</u>
Review Fee	\$ <u>36.50</u>
1% BCAIB Fee	\$ <u>2 min</u>
1.5% DCA Fee	\$ <u>2 min</u>
Total Permit Fee	\$ <u>113.50</u>

NOC ✓

2021-03-065

DOC # 20210140655
03/11/2021 10:15 AM Page 1 of 1
Rec Fee: \$10.00
Deed Doc Tax: \$0.00
Mortgage Doc Tax: \$0.00
Intangible Tax: \$0.00
Phil Diamond, Comptroller
Orange County, FL
Ret To: SIMPLIFILE LC

This Instrument Prepared By: C. Myers
Name: The Home Depot
Address: 9208 Florida Palm Dr
Tampa, FL 33619

Permit No. _____ Tax ID No. 17-23-30-4379-02-240

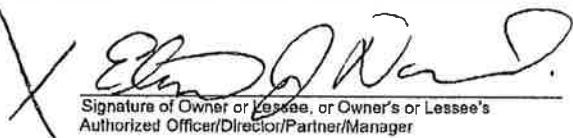
NOTICE OF COMMENCEMENT

STATE OF Florida
COUNTY OF Orange

THE UNDERSIGNED hereby gives notice that improvement will be made to certain real property, and in accordance with Chapter 713, Florida Statutes, the following information is provided in this Notice of Commencement.

1. Description of property: (legal description of property, and street address if available)
LAKE CONWAY ESTATES SECTION 3 Y/19 LOT 224 5102 Louvre Ave Belle Isle, FL 32812
2. General description of improvement:
Doors
3. Owner information or Lessee information if the Lessee contracted for the improvement:
 - a. Name and address: Nardin Elizabeth 5102 Louvre Ave Belle Isle, FL 32812
 - b. Interest in property: Owner
 - c. Name and address of fee simple titleholder (if different from owner listed above):
4. Contractor:
 - a. Name and address: The Home Depot 9208 Florida Palm Dr Tampa, FL 33619
 - b. Phone number: 813-626-7548
5. Surety (if applicable, a copy of the payment bond is attached):
 - a. Name and address:
 - b. Phone number: N/A
 - c. Amount of bond \$ _____
6. Lender:
 - a. Name and address:
 - b. Phone number: N/A
7. Persons within the State of Florida designated by Owner upon whom notices or other documents may be served as provided by Section 713.13(1)(a)7., Florida Statutes:
 - a. Name and address: N/A
 - b. Phone numbers of designated persons:
8. In addition to herself/himself, Owner designates the following person(s) to receive a copy of the Lienor's Notice as provided in Section 713.13(1)(b), Florida Statutes:
 - a. Name and address:
 - b. Phone number of person or entity designated by Owner:
9. Expiration date of notice of commencement (the expiration date will be 1 year from the date of recording unless a different date is specified): _____

WARNING TO OWNER: ANY PAYMENTS MADE BY THE OWNER AFTER THE EXPIRATION OF THE NOTICE OF COMMENCEMENT ARE CONSIDERED IMPROPER PAYMENTS UNDER CHAPTER 713, PART I, SECTION 713.13, FLORIDA STATUTES, AND CAN RESULT IN YOUR PAYING TWICE FOR IMPROVEMENTS TO YOUR PROPERTY. A NOTICE OF COMMENCEMENT MUST BE RECORDED AND POSTED ON THE JOB SITE BEFORE THE FIRST INSPECTION. IF YOU INTEND TO OBTAIN FINANCING, CONSULT WITH YOUR LENDER OR AN ATTORNEY BEFORE COMMENCING WORK OR RECORDING YOUR NOTICE OF COMMENCEMENT.



Signature of Owner or Lessee, or Owner's or Lessee's
Authorized Officer/Director/Partner/Manager
Signatory's Title/Office Owner

The foregoing instrument was acknowledged before me by means of physical presence or online notarization on this 2/27/21 by ELIZABETH NARDIN, who is personally known to me or who has produced FLDL as identification and who did (did not) take an oath.

 Notary Public, Commission No. _____

(Name of Notary typed, printed or stamped)



ROBERT LLOYD
NOTARY PUBLIC
STATE OF FLORIDA
Comm# GG937228
Expires 1/26/2024

2021-03-065



Date: 3/3/21

Job Address 5102 Louvre Ave Belle Isle, FL 32812

To Whom It May Concern:


This letter will authorize the following person(s) to act as agent(s) on behalf of Arthur Wayne Francis, CGC061641 of Home Depot U.S.A., Inc. 2455 Paces Ferry Rd. Atlanta, GA 30339 to submit for and obtain permits with respect to the installation/inspections maintenance and repair of windows, doors and storm protection.


Authorized person(s): Tim O'Malley Aaron Hallich
 Brian Kirby David Weed
 Christine O'Malley


Contractor of Record- Arthur Wayne Francis
Home Depot U.S.A., Inc.

STATE OF FLORIDA
COUNTY OF

The foregoing instrument was acknowledged before me this 3 day of March, 2021, by Arthur Wayne Francis.


Notary Public-State of Florida
My Commission Expires:
Is Personally Known Or Produced Identification

 Aaron Hallich
NOTARY PUBLIC
STATE OF FLORIDA
Comm# GG951577
Expires 1/27/2024

Type of Identification Produced _____



Home Improvement Agreement: Page 1

Home Depot License #'s - For the most current listing visit www.Homedepot.com/LicenseNumbers

FL: EC0001440, CGC1514813, CRC046858, CAC1813767, CFC1426021, CFC1427642, 22640, CAC 1818831, CCC1331113, CCC1331130

Robert Lloyd

Salesperson Name

Registration # (Req. in CA,CT,ME,MD,MI,NJ,DC)

Home Depot U.S.A., Inc. ("Home Depot") or Authorized Service Provider named below will furnish, install and/or service the equipment listed below at the price, terms and conditions as outlined on this form.

1. Service Provider Contact Information

The Home Depot

Service Provider Contact Name

The Home Depot

Service Provider Company Name

(863) 284-5637

Phone #

Service Provider Email Address

Service Provider License #(s)

2. Customer Information

Nardin

Customer Last Name

Beth

Customer First Name

Orlando

Store # / Branch Name

1-1V9G0MK7

Customer Lead/ PO#

5102 Louvre Ave.

Customer Address

Belle Isle

City

FL

State

32812

Zip

Home Phone#

Work Phone#

(954) 629-6838

Cell Phone#

bethnardin@mindspring.com

Customer Email Address

3. NOTICE OF RIGHT TO CANCEL

YOU MAY CANCEL THIS AGREEMENT WITHOUT PENALTY OR OBLIGATION BY CONTACTING THE SERVICE PROVIDER OR STORE DIRECTLY; EMAILING SERVICE PROVIDER AT:

customercancellationsouth@homedepot.com

OR DELIVERING WRITTEN NOTICE TO HOME DEPOT AT:

1180 Emma Oaks Trail, Suite 1000

Address

Lake Mary

City

FL

State

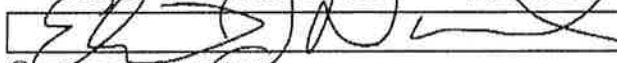
32746

Zip

BY MIDNIGHT ON THE THIRD BUSINESS DAY AFTER SIGNING, UNLESS THE STATE SUPPLEMENT PROVIDES A DIFFERENT CANCELLATION PERIOD. THE STATE SUPPLEMENT CONTAINS A FORM TO USE IF ONE IS SPECIFICALLY PRESCRIBED BY LAW IN YOUR STATE. YOUR PAYMENT(S) WILL BE RETURNED WITHIN TEN (10) BUSINESS DAYS AFTER HOME DEPOT'S RECEIPT OF YOUR NOTICE. YOU MUST MAKE AVAILABLE FOR PICKUP BY HOME DEPOT OR SERVICE PROVIDER, AT YOUR SERVICE ADDRESS, AND IN SUBSTANTIALLY THE SAME CONDITION AS WHEN DELIVERED, ANY MERCHANDISE OR MATERIALS DELIVERED TO YOU. OR YOU MAY CONTACT HOME DEPOT FOR INSTRUCTIONS REGARDING RETURN SHIPMENT AT HOME DEPOT'S EXPENSE.

THE LAW REQUIRES THAT THE HOME DEPOT GIVE YOU A NOTICE EXPLAINING YOUR RIGHT TO CANCEL. PLEASE SIGN BELOW TO ACKNOWLEDGE THAT YOU HAVE BEEN GIVEN ORAL AND WRITTEN NOTICE OF YOUR RIGHT TO CANCEL.

Acknowledged by:


Customer's Signature

02/27/2021

Date



Home Improvement Agreement: Page 2

4. Description of Work to be Performed

A detailed description of the work to be performed is included in the paragraph entitled Scope of Work, Specification, Customer Summary Sheet, Quote Form, Estimate, Invoice or Measure which is included in this Agreement.

5. Anticipated Delivery Date / Installation Schedule

Approximate Start Date: Approximate Finish Date: All dates are approximate and subject to change based on unforeseen events including inclement weather, permitting delays, and delays in confirming insurance coverage of Your claim for any repair, if applicable.

6. Electronic Records Authorization

You are entitled to a paper copy of this Agreement if you choose. If you consent to an e-mailed copy, your consent applies to this Agreement and all subsequent documents and written communications related to this Agreement. By contacting your Service Provider, you may update your email address, withdraw your consent, or obtain a paper copy of the Agreement or related documents at no charge. By providing your consent and verifying your email address above, you confirm that you have access to a computer that can receive and open emails and PDF documents.

7. Contract Price and Payment Schedule

Payment of the Contract Price is due upon signing unless a different payment schedule is required by law, specified below or in a payment addendum.

Contract Price: \$ Includes all applicable taxes. Excludes finance charges.*
Sales Tax: \$ (If applicable, total amount of taxes included in Contract Price)

**Maximum deposit ONLY applicable in MD, MA, ME (33%), NJ, WI (99%)*

Deposit % Deposit Amount \$ Remaining Balance \$

8. Finance Charges

Any interest payments or other finance charges will be determined by Customer's separate cardholder or loan agreement, to which Home Depot is NOT a party, and will be in addition to Customer's payment under this Agreement. Customer is subject to the terms and conditions of the cardholder or loan agreement, as applicable. No funds should be made payable to Service Provider; however, Service Provider may collect Customer's payments made payable to Home Depot.

Insurance proceeds will will not be used to pay some or all of the total amount of sale.

9. Acceptance and Authorization

By signing below, you authorize Home Depot to: (a) arrange for Service Provider to perform any Services or (b) order and arrange for the delivery of special order merchandise, including special order merchandise that may be custom made, as specified in this Agreement. Do not sign if blank or incomplete. (Service Provider's or permitting information may need to be provided to You later.) By signing, you acknowledge that: (i) You have read, understand, and accept this Agreement in its entirety, including the General Conditions and State Supplement, if any; (ii) You are receiving a complete copy of this Agreement; (iii) all rights and interests under this Agreement are solely vested in the person listed as "Customer" above; and (iv) Electronic signatures will be deemed originals for all purposes.

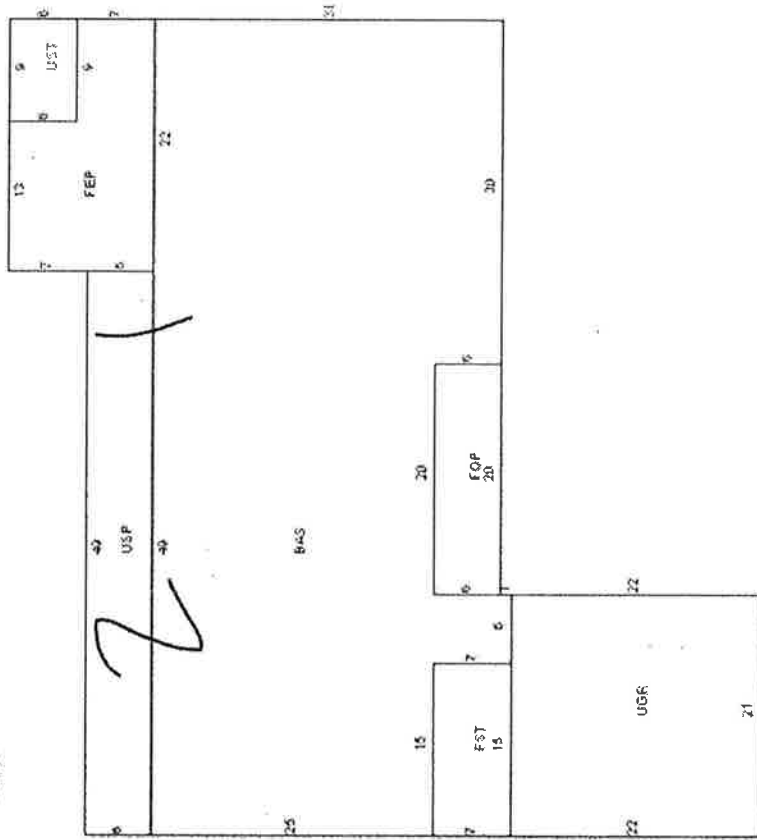
X
Customer's Signature Date

X /s/ The Home Depot
The Home Depot Digital Signature Date

For questions related to your installation, contact Service Provider at (863) _____
For any other concerns, contact The Home Depot at 1-800-466-3337 284-5637

5102 Louvre Ave - Building #1

Summary as of 02/26/2021



Sub Area	Sqft	Value
BAS - Base Area	1997	working...
FEP - F/Enc Prch	232	working...
FOP - F/Opn Prch	120	working...
FST - Fin Storge	105	working...
UGR - Unf Garage	462	working...
USP - Unf S Prch	294	working...
UST - Unf Storg	54	working...

Model Code: 01 - Single Fam Residence
Type Code: 0103 - Single Fam Class III
Building Value: working...
Estimated New Cost: working...
Actual Year Built: 1962
Beds: 3
Baths: 2.5
Floors: 1
Gross Area: 3264 sqft
Living Area: 2229 sqft
Exterior Wall: Concrete/Cinder Block
Interior Wall: Drywall

What are you looking to do today? You can also type your question below.

Close Popup



WINDOW CONTRACT AMENDMENT / CHANGE ORDER

BRANCH: OKLAHOMA
 PURCHASER: BETH NAKDIN
 JOB #: 11045035
 ORIGINAL SPEC SHEET #:

The undersigned agrees to amend the Home Improvement Contract / Spec Sheet dated 2/27/14 (the "Original Contract") between Home Depot and the Purchaser BETH NAKDIN relating to Job # 11045035 and hereby authorize the changes specified below.

WINDOWS - CHANGES TO SPECIFICATIONS

Add / Delete	Room / Floor	Line Item #	Qty	Style	Series	Color	Width	Operating Height	UI	Type	Color	Pattern	Loc	Vert	Horiz	Window & Glass Options	\$ Increase / (Decrease)
DELETE	LNU	1	1	PD-PK	5400	W	141	79									
DELETE		2	1	PD-PK													
ADD		1	1	PD-SL												3 PNL, 3TRK XXX	
ADD		2	1	PD-SL												3 PNL, 3TRK XXX	

Net Increase (Decrease) in Contract Amount: 0

The Contract Amount shall be amended as follows:

Contract Amount ¹	\$ 12,608. ⁰⁰
Increase (Decrease)	\$ 0
Plus: Sales Tax ²	\$ N/A
Amended Contract Amount	\$ 12,608. ⁰⁰
Less: Original Deposit	\$ 12,608. ⁰⁰
Balance Due on Completion ³	\$ 0

SUBMITTED BY: [Signature] Date: 3-3-14
 Sales Consultant
 ACCEPTED BY: [Signature] Date:
 Purchaser

APPROVED BY: _____ Date: _____
 BSM or BIM
 DSM or DIM

Will the installation be delayed? Yes No

DETAILS / COMMENTS:
CHANGING FROM POCKET TO REGULAR
3 PNL SLIDING DOOR

CHARGE BACK INFORMATION (if applicable)

CHARGE TO	AMOUNT	REASON

¹ If the Contract has been previously amended, use the amended Contract Amount (not the original Contract Amount).

² If required by State or local regulations

³ Refunds will be given via the same method of payment as received.

PGT ORDER FORM

TIME 02:53:51
 DATE 02/27/2021
 CSR & EXT TOM V. #21326 ALICE W. #21843
 DEALER # 12228
 CUSTOMER Belh Nardin
 JOB # 1-19960MK7
 PO #
 WINGUARD (IMPACT) ENERGYVUE (NON-IMPACT)
 REMODEL NEW CONSTRUCTION

DEALER NAME THD AT HOME SERVICES
 DESIGN CONSULTANT Robert Lloyd
 ORDERED BY
 ORDERED BY PHONE #
 CITY, STATE
 SHIP TO #
 MIDIT YES NO
 IF 'NO' INDICATE STANDARDS DESIRED
 REQUIRED FOR MIAMI DADE:

#12 WOOD SCREW
 1/4" SS4 ORITERLEX
 CONCRETE OPENING

SPEC SHEET # Sheet 1 of 1
 BOX/CRATE ORDER YES NO
 EMAIL SENT YES NO
 PGT USE
 S.O.#
 SHIP DATE
 SHIP VIA
 LEAD TIME AUTH
 CHECKERS INITIALS
 SOLD ON PROMO YES NO

COUNT	FLOOR	ROOM	QTY	PGT SERIES #	SPEC CODE	FLANGE -or- BOX FRAME	FINISH		OPENING SIZE		DOORS		SLIDE DIRECTION		HANDING (RH-or-LH)	TYPE FLAT (F) or SCULPTURED (S)	GRIDS		GLASS OPTIONS Hardware Profiles & Mullions	LABOR OPTIONS/ MISCELLANEOUS CODE	OPENING SIZE Measure/Tech Input			
							INTERIOR WH	EXTERIOR WH	WIDTH (in.)	HEIGHT (in.)	UI	PANELS	TRACKS	STD - or- REV STACK			X-Operating S-Stationary Viewed from the outside	# Bars Vertical			# Bars Horizontal	WIDTH (in.)	HEIGHT (in.)	
1	1st LIV			5400	PD-PK	B	WH	WH	141	79	220	3	3											
2	1st LIV			5400	PD-PK	B	WH	WH	141	79	220	3	3	X	X									

INSTALLER NOTES:

MANUFACTURER NOTES:

I have reviewed and agreed with all job specifications and the Special Terms & Conditions on the back of the yellow (Customer) copy.

Customer Signature

Date:



City of Belle Isle

Universal Engineering Sciences 3532 Maggie Blvd., Orlando, FL 32811
 Tel 407-581-8161 * Fax 407-581-0313 * www.universalengineering.com

Product Approval Form

DATE: 3/17/2021

PERMIT # 2021-03-065

PROJECT ADDRESS 5102 Louvre Ave, Belle Isle, FL 32809 X 32812

As required by Florida Statue 553.842 and Florida Administrative Code 9B-72m, please provide the information and approval numbers of the building components listed below if they will be utilized on the building or structure. FL Approved products are listed online at www.floridabuilding.org or can be obtained from the local product supplier. The following information must be turned in with permit application and available onsite for inspections:

- **This Product Approval Cover Sheet**
- **Internet screen printout from FloridaBuilding.Org showing PA#, approval code and edition stamped**
- **Manufacturer's installation details from FloridaBuilding.Org and requirements for each product stamped**
- **The Installation instructions must be posted on-site before your first inspection**

Product Type	Manufacturer	Model/Series	FL Product Approval #	Product Type	Manufacturer	Model/Series	FL Product Approval #
EXTERIOR DOORS				WALL PANELS			
Swinging				Siding			
Sliding	PGT Ind.	SGD-5470	21179.1	Soffits			
Sectional/Rollup				Storefront			
Other				Glass Block			
				Other			
WINDOWS				ROOFING PRODUCTS			
Single/Dbf Hung				Asphalt Shingles			
Horizontal Slider				Non Struct Metal			
Casement				Roofing Tiles			
Fixed				Single Ply Roof			
Mullion				Underlayment			
Skylights				Other			
Other							
STRUCTURAL COMPONENTS				OTHER			
Wood Connectors							
Wood Anchors							
Truss Plates							
Insulation Forms							
Lintels							
Other							

It is the applicant's responsibility to verify that specific products have been installed in accordance with their limitations and with the minimum required design pressures for the structure. Specific compliance will be verified during field inspections.

Applicant Signature

Date 3/17/2020



Product Approval
USER: Public User

[Product Approval Menu](#) > [Product or Application Search](#) > [Application List](#) > **Application Detail**

OFFICE OF THE SECRETARY

FL # FL21179-R5
Application Type Affirmation
Code Version **2020**
Application Status Approved

Comments
Archived

Product Manufacturer PGT Industries
Address/Phone/Email 1070 Technology Drive
North Venice, FL 34275
(941) 486-0100 Ext 21140
jrosowski@pgtindustries.com

Authorized Signature Jens Rosowski
jrosowski@pgtindustries.com

Technical Representative Lynn Miller, P.E.
Address/Phone/Email 1070 Technology Dr
N Venice, FL 34275
(941) 486-0100 Ext 21142
lmiller@pgtindustries.com

Quality Assurance Representative
Address/Phone/Email

Category Exterior Doors
Subcategory Sliding Exterior Door Assemblies

Compliance Method Certification Mark or Listing

Certification Agency Keystone Certifications, Inc.
Validated By Steven M. Urich, PE
 Validation Checklist - Hardcopy Received

Referenced Standard and Year (of Standard)	Standard	Year
	AAMA/WDMA/CSA 101/IS2/A440	2011
	ASTM E1886	2005
	ASTM E1886	2013
	ASTM E1996	2017
	ASTM E1996	2012

Equivalence of Product Standards Certified By Florida Licensed Professional Engineer or Architect
[FL21179 R5 Equiv ASTM E1886-04-05 to E1886-13a and E1996-05-06-09 to E1996-17 Equivalency Letter 2020-09-09.pdf](#)

I affirm that there are no changes in the new Florida Building Code which affect my product(s) and my product(s) are in compliance with the new Florida Building Code.

Product Approval Method Method 1 Option A

Date Submitted 11/04/2020

Date Validated 11/04/2020

Date Pending FBC Approval

Date Approved 11/11/2020

Summary of Products

FL #	Model, Number or Name	Description
21179.1	SGD-5470	Vinyl Sliding Glass Door (Non-Impact)
Limits of Use Approved for use in HVHZ: No Approved for use outside HVHZ: Yes Impact Resistant: No Design Pressure: N/A Other: Please see installation instructions for design pressure, size and anchorage information.		Certification Agency Certificate FL21179_R5_C_CAC_Certification - 5470 2020.pdf Quality Assurance Contract Expiration Date 11/11/2023 Installation Instructions FL21179_R5_II_FPA-SGD5470 - REV A.pdf Verified By: A. Lynn Miller, P.E. 58705 Created by Independent Third Party: No Evaluation Reports FL21179_R5_AE_Prod Eval-SGD 5470 Rev A.pdf Created by Independent Third Party: No
21179.2	SGD-5570	Vinyl Sliding Glass Door (Impact-Resistant)
Limits of Use Approved for use in HVHZ: No Approved for use outside HVHZ: Yes Impact Resistant: Yes Design Pressure: N/A Other: Please see installation instructions for design pressure, size and anchorage information.		Certification Agency Certificate FL21179_R5_C_CAC_Certification - 5570 2020.pdf Quality Assurance Contract Expiration Date 01/13/2023 Installation Instructions FL21179_R5_II_FPA-SGD5570 - REV A.pdf Verified By: A. Lynn Miller, P.E. 58705 Created by Independent Third Party: No Evaluation Reports FL21179_R5_AE_Prod Eval-SGD 5570 - Rev A.pdf Created by Independent Third Party: No

[Back](#) [Next](#)

Contact Us :: [2601 Blair Stone Road, Tallahassee FL 32399](#) Phone: 850-487-1824

The State of Florida is an AA/EEO employer. [Copyright 2007-2013 State of Florida.](#) :: [Privacy Statement](#) :: [Accessibility Statement](#) :: [Refund Statement](#)

Under Florida law, email addresses are public records. If you do not want your e-mail address released in response to a public-records request, do not send electronic mail to this entity. Instead, contact the office by phone or by traditional mail. If you have any questions, please contact 850.487.1395. *Pursuant to Section 455.275(1), Florida Statutes, effective October 1, 2012, licensees licensed under Chapter 455, F.S. must provide the Department with an email address if they have one. The emails provided may be used for official communication with the licensee. However email addresses are public record. If you do not wish to supply a personal address, please provide the Department with an email address which can be made available to the public. To determine if you are a licensee under Chapter 455, F.S., please click [here](#).



SERIES 5470, NON-IMPACT RESISTANT SLIDING GLASS DOOR

FLORIDA PRODUCT APPROVAL #21179

INCLUDING POCKETS & 90°/135° CORNERS

GENERAL NOTES:

- 1) GLAZING TYPE OPTIONS: SEE GLAZING DETAILS ON SHEET 10.
- 2) DESIGN PRESSURES:
 - A. NEGATIVE DESIGN LOADS BASED ON TESTED PRESSURE AND GLASS PER ASTM E1300.
 - B. POSITIVE DESIGN LOADS BASED ON TESTED PRESSURE, WATER TEST PRESSURE AND GLASS PER ASTM E1300.
- 3) ANCHORAGE: THE 33-1/3% STRESS INCREASE HAS NOT BEEN USED IN THE DESIGN OF THIS PRODUCT. MATERIALS, INCLUDING BUT NOT LIMITED TO STEEL SCREWS, THAT COME INTO CONTACT WITH OTHER DISSIMILAR MATERIALS SHALL MEET THE REQUIREMENTS OF THE FLORIDA BUILDING CODE (FBC).
- 4) SHUTTERS ARE REQUIRED PER FBC REQUIREMENTS, AS APPLICABLE.
- 5) INSTALLATION SCREWS & FRAME SPLICES TO BE SEALED WITH NARROW JOINT SEALANT. OVERALL SEALING/FLASHING STRATEGY FOR WATER RESISTANCE OF INSTALLATION SHALL BE DONE BY OTHERS AND IS BEYOND THE SCOPE OF THESE INSTRUCTIONS.
- 6) REFERENCES (NOA'S): ELCO ULTRACON, CRETEFLEX & AGGREGATOR ANCHOR NOA'S, VISION EXTRUSION, LTD. WHITE RIGID PVC NOA, VE 1000 TAN 202 AND LIGHTER SHADES (NON-WHITE) RIGID PVC NOA AND BROWN COATED (PAINTED OR LAMINATED) WHITE RIGID PVC NOA
REFERENCES (TEST REPORTS): FTL-6367, 6368, 6369, 6370, 6371 & 8545; EXOVA-10-002-792(A) & 10-006-10231; CAMBRIDGE 535753-09;
- 7) DOOR SIZES MUST BE VERIFIED FOR COMPLIANCE WITH EGRESS REQUIREMENTS PER THE FBC, AS APPLICABLE.
- 8) DRAWINGS DEPICT EXTERIOR-GLAZING, HOWEVER INTERIOR-GLAZING MAY BE SUBSTITUTED.
- 9) THE 5470 SERIES SLIDING GLASS DOOR MAY ALSO BE KNOWN AS THE 470 SERIES.

ANCHOR NOTES:

- 1) FOR CONCRETE/CMU SUBSTRATE APPLICATIONS, SEE TABLE A ON THIS SHEET FOR EMBEDMENT, EDGE DISTANCE AND SUBSTRATE REQUIREMENTS.
- 2) FOR OTHER SUBSTRATE APPLICATIONS SEE TABLE A ON THIS SHEET.
- 3) WOOD BUCKS DEPICTED AS 1X ARE LESS THAN 1-1/2" THICK. PROPERLY SECURED, 1X WOOD BUCKS ARE OPTIONAL IF UNIT IS INSTALLED DIRECTLY TO SOLID CONCRETE OR CMU. WOOD BUCKS DEPICTED AS 2X ARE 1-1/2" THICK OR GREATER. 1X AND 2X BUCKS (WHEN USED) SHALL BE DESIGNED TO PROPERLY TRANSFER LOADS TO THE STRUCTURE. BUCK DESIGN AND INSTALLATION IS THE RESPONSIBILITY OF THE ENGINEER OR ARCHITECT OF RECORD & TO BE REVIEWED BY THE BUILDING OFFICIAL.
- 4) IF SILL IS TIGHT TO SUBSTRATE, GROUT OR OTHER MATERIAL IS NOT REQUIRED. IF USED, NON-SHRINK, NON-METALLIC GROUT, MAX. 1/4" THICK & 3400 PSI MIN., (DONE BY OTHERS) MUST FULLY SUPPORT THE ENTIRE LENGTH OF THE SILL THAT IS NOT TIGHT TO THE SUBSTRATE, AND TRANSFER SHEAR LOAD TO SUBSTRATE. IF SUBSTRATE IS WOOD, 30# FELT PAPER OR MASTIC IS REQUIRED BETWEEN THE GROUT AND WOOD SUBSTRATE, OR AS APPROVED BY THE AUTHORITY HAVING JURISDICTION.

INSTRUCTIONS:

- 1) KNOWING THE REQUIRED DESIGN PRESSURE OF THE OPENING, THE ANCHOR REQUIREMENTS FOR THE SLIDING GLASS DOORS MAY BE DETERMINED FROM DESIGN PRESSURE TABLES 1 OR 2, DEPENDING ON THE REINFORCEMENT LEVEL DESIRED.
- 2) LOCATE THE SLIDING GLASS DOOR SIZE ON THE TABLE, USING THE FRAME HEIGHT AND THE NOMINAL PANEL WIDTH IF YOUR EXACT SIZE IS NOT LISTED, ROUND UP TO THE NEXT GREATER LISTED WIDTH AND/OR HEIGHT.
- 3) CHOOSE WHICH ANCHOR GROUP (A-D) IS MOST APPLICABLE. ANCHORS ARE DEFINED IN TABLE A, THIS SHEET, ALONG WITH THE CORRESPONDING SUBSTRATE, MINIMUM EMBEDMENT AND MINIMUM EDGE DISTANCE.
- 4) FROM THE DESIGN PRESSURE TABLES (TABLES 1 OR 2), VERIFY THAT THE OPENING'S REQUIRED DESIGN PRESSURE IS MET OR EXCEEDED. USE THE ANCHOR QUANTITIES SHOWN.
- 5) INSTALL AS PER THE GUIDELINES OF THIS SHEET-SET.
- 6) ADDITIONALLY, SEE THE EXAMPLE ON SHEET 9.

Nominal Panel Size		Design Pressure		Certification Numbers
Width	Height	(+) psf	(-) psf	
60"	96"	60	60	190-771
48"	120"	60	65	190-774
48"	96"	60	60	190-770
48"	96"	80	80	190-772

GENERAL NOTES.....	1
EXAMPLE CONFIGS.....	2
INSTALL DETAILS.....	3-6
DP/ANCHOR TABLES.....	7-8
EXAMPLE.....	9
GLAZING DETAILS.....	10
ANCHOR LOCATIONS.....	11-16
PANEL TYPES.....	17
EXTRUSIONS.....	18
ACCESSORIES.....	19
SCREEN DETAILS.....	20
PARTS LIST.....	21
FIN ADDON INSTALL.....	22-25

TABLE A:

Group	Anchor	Substrate	Frame Member	Min. Edge Distance	Min. Embedment	
A	#12, steel SMS (G5) or 410 S.S. SMS, (min. 11 threads/in)	P.T. Southern Pine (SG=0.55)	Head/Sill/Jamb	9/16"	1-3/8"	
			P-hook	9/16"	1-3/8"	
		Aluminum, 6063-T5* (0.125" min. thickness)	Head/Sill/Jamb	3/8"	1/8"	
			P-hook	3/8"	1/8"	
		Steel, A36* (0.060" min. thickness)	Head/Sill/Jamb	3/8"	0.060"	
			P-hook	3/8"	0.060"	
	Steel Stud, A653 Gr. 33* (0.071" min. thickness)	Head/Sill/Jamb	3/8"	0.071" (14 Ga.)		
		P-hook	3/8"	0.071" (14 Ga.)		
	1/4" Elco Ultracon	P.T. Southern Pine (SG=0.55)	Head/Sill/Jamb	1"	1-3/8"	
			P-hook	1"	1-3/8"	
1/4" DeWalt Ultracon+	P.T. Southern Pine (SG=0.55)	Head/Sill/Jamb	1"	1-3/8"		
		P-hook	1"	1-3/8"		
1/4" Elco 410 S.S. CreteFlex	P.T. Southern Pine (SG=0.55)	Head/Sill/Jamb	1"	1-3/8"		
		P-hook	1"	1-3/8"		
B	#12, steel wood screw (G5)	P.T. Southern Pine (SG=0.55)	Head/Sill/Jamb	9/16"	1-3/8"	
			P-hook	9/16"	1-3/8"	
C	1/4" Elco Ultracon	Concrete (min. 2.85 ksi)	P-hook	1"	1-3/8"	
			Head/Sill/Jamb	1-3/16"	1-3/8"	
		UngROUTED CMU, (ASTM C-90)	Jamb	1"	1-1/4"	
			P-hook	1"	1-1/4"	
		1/4" DeWalt Ultracon+	Concrete (min. 3.00 ksi)	P-hook	1"	1-3/8"
				Head/Sill/Jamb	1-1/2"	1-3/8"
	UngROUTED CMU, (ASTM C-90)	Jamb	1"	1-1/4"		
		P-hook	1"	1-1/4"		
	1/4" Elco 410 S.S. CreteFlex	UngROUTED CMU, (ASTM C-90)	Jamb	1-3/4"	1-1/4"	
			P-hook	1-3/4"	1-1/4"	
		Concrete (min. 3.35 ksi)	Head/Sill/Jamb	1-3/16"	1-3/4"	
			P-hook	1"	1-3/4"	
		1/4" Elco 18-8 S.S. Aggre-Gator	Concrete (min. 2.22 ksi)	Head/Sill/Jamb	1-1/2"	1-3/8"
				P-hook	1-1/2"	1-3/8"
	UngROUTED CMU, (ASTM C-90)		Jamb	2"	1-1/4"	
			P-hook	2"	1-1/4"	
	P.T. Southern Pine (SG=0.55)		Head/Sill/Jamb	1"	1-3/8"	
			P-hook	1"	1-3/8"	
D	1/4" Elco Ultracon	Concrete (min. 2.85 ksi)	Head/Sill/Jamb	2-1/2"	1-3/8"	
			P-hook	2-1/2"	1-3/8"	
		UngROUTED CMU, (ASTM C-90)	Jamb	2-1/2"	1-1/4"	
			P-hook	2-1/2"	1-1/4"	
	1/4" DeWalt Ultracon+	Concrete (min. 3.00 ksi)	Head/Sill/Jamb	2-1/2"	1-3/8"	
			P-hook	2-1/2"	1-3/8"	
		UngROUTED CMU, (ASTM C-90)	Jamb	2-1/2"	1-1/4"	
			P-hook	2-1/2"	1-1/4"	
	1/4" Elco 410 S.S. CreteFlex	Concrete (min. 3.35 ksi)	Head/Sill/Jamb	2-1/2"	1-3/4"	
			P-hook	2-1/2"	1-3/8"	
		UngROUTED CMU, (ASTM C-90)	Jamb	2-1/2"	1-1/4"	
			P-hook	2-1/2"	1-1/4"	

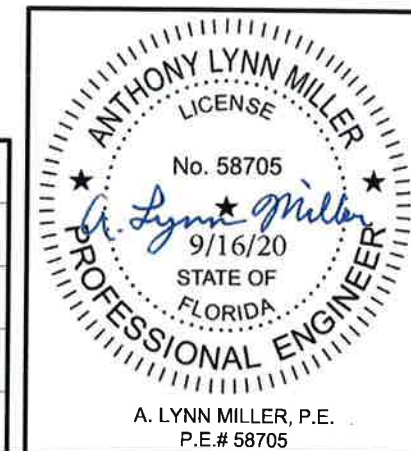
* MIN. OF 3 THREADS BEYOND THE METAL SUBSTRATE.

FOR STEEL STUDS, MIN. FU=45 KSI & MIN. FY=33 KSI.

"UNGROUTED CMU" VALUES MAY BE USED FOR GROUTED CMU APPLICATIONS.

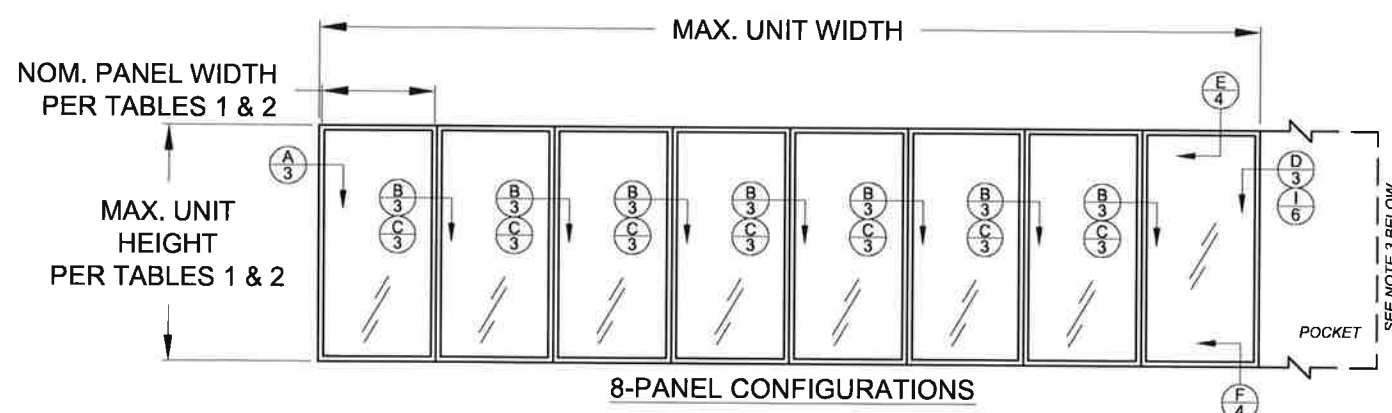
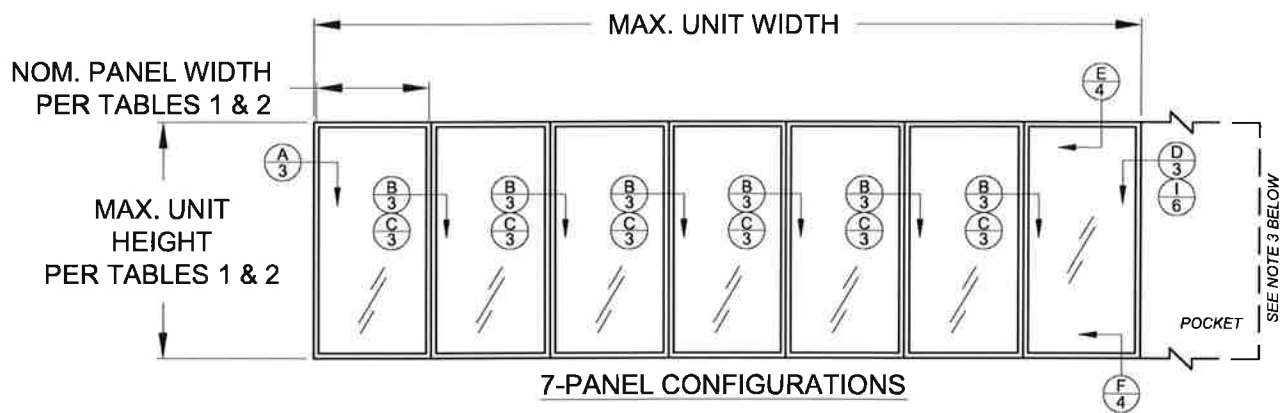
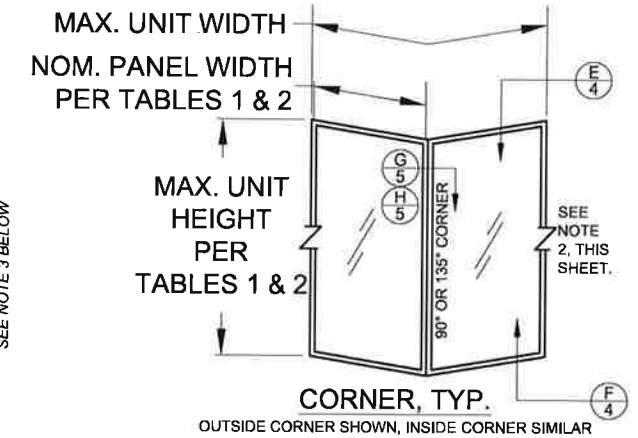
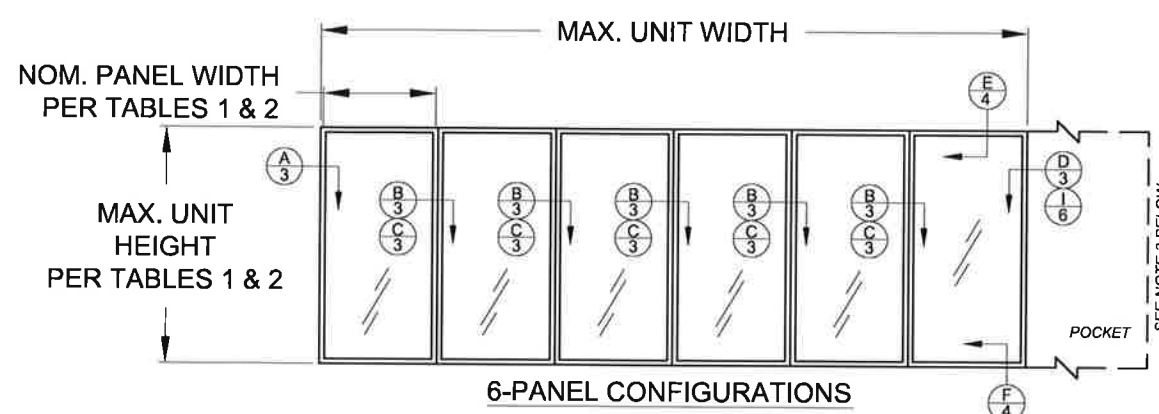
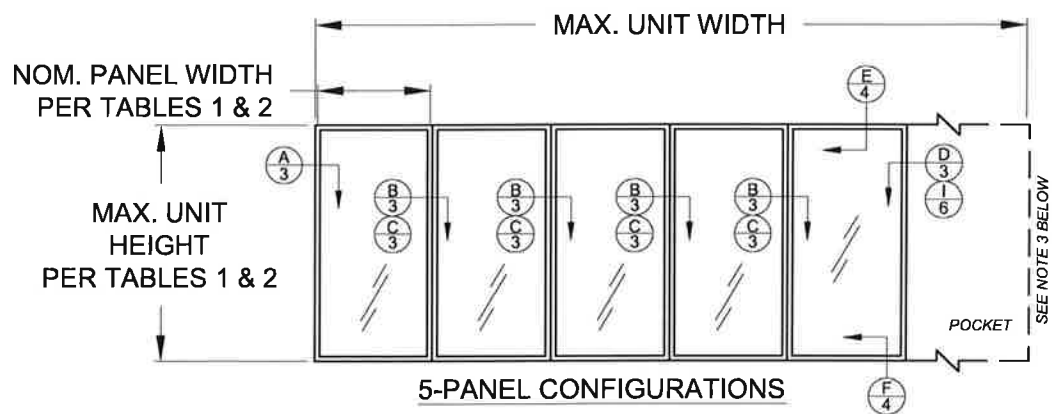
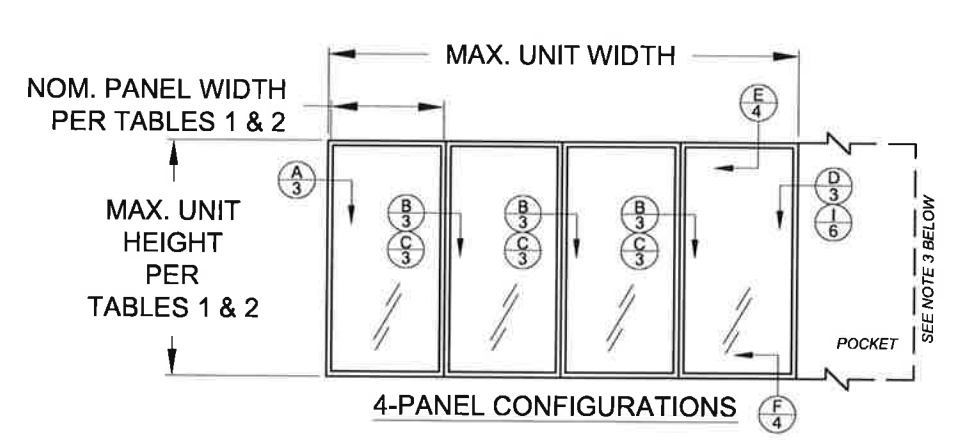
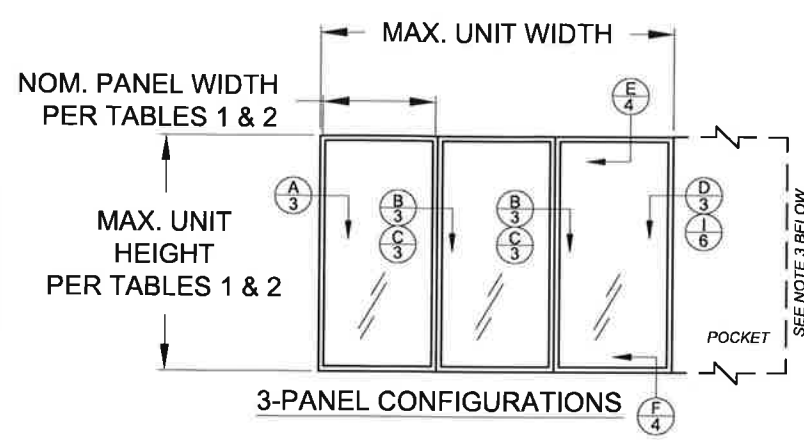
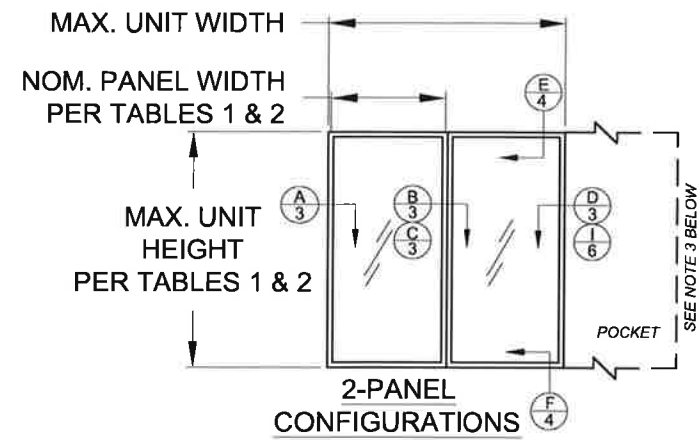
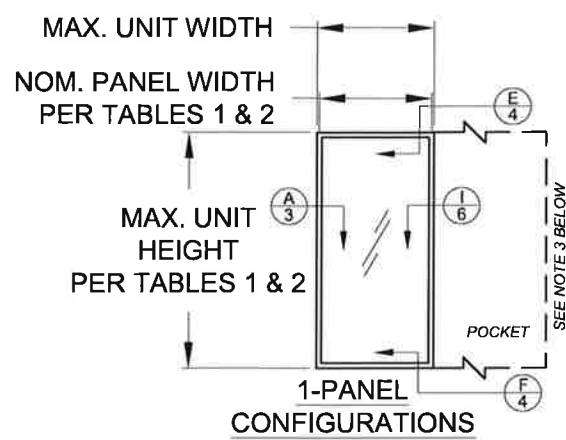
IMPACT RATING NOT RATED FOR MISSILE IMPACT RESISTANCE
DESIGN PRESSURE RATING SEE TABLES 1, 2 & B1, B2 ON SHEETS 7 & 8

COPYRIGHT © 2020 PGT INDUSTRIES, INC., LIMITED LICENSE TO MAKE COPIES FOR PERMITTING.



PGT
 1070 TECHNOLOGY DRIVE
 N. VENICE, FL 34275
 (941)-480-1600
 CERT. OF AUTH. #29296

Title	VINYL SLIDING GLASS DOOR FPA	Date	3/24/16
Desc.	GENERAL NOTES	Drawn By	J ROSOWSKI
Rev A	ADDED ULTRACON+ ANCHORS - JR	Rev A Date	09/12/20
Rev B		Rev B Date	
Series	SGD-5470	Scale	NTS
Sheet	1 OF 25	DWG No.	FPA-SGD5470.2
Rev. No.	A		



CONFIGURATIONS NOTES:

1) ALL CONFIGURATIONS SHOWN ARE ALSO AVAILABLE AS POCKET CONFIGURATIONS AT EITHER OR BOTH JAMB LOCATIONS. EXAMPLE: 4-PANEL XXXX IN POCKET (p) CONFIGURATION CAN BE pXXXXp, pXXXX OR XXXXp. OXXX IN POCKET CONFIGURATION CAN BE OXXXp.

2) 90° & 135° CORNER CONFIGURATIONS ARE A COMBINATION OF ANY 2 STRAIGHT CONFIGURATIONS.

3) POCKET WALL OR CAVITY IS NOT PART OF THIS APPROVAL AND IS TO BE DESIGNED BY OTHERS AND REVIEWED BY THE AUTHORITY HAVING JURISDICTION.

4) FOR NOM. PANEL WIDTH, SEE TABLES 1 & 2.

"X" = OPERABLE PANEL
 "O" = INOPERABLE PANEL
 "p" = POCKET

DLO WIDTH = NOM. PANEL WIDTH - 7-3/8"
 DLO HEIGHT = DOOR HEIGHT - 11-1/16"
 PANEL HEIGHT = DOOR HEIGHT - 2-1/2"

— X # —
 — SHEET NUMBER —

1070 TECHNOLOGY DRIVE
 N. VENICE, FL 34275
 (941)-480-1600
 CERT. OF AUTH. #29296

Title		VINYL SLIDING GLASS DOOR FPA		Date	3/24/16
Desc.		EXAMPLE CONFIGURATIONS		Drawn By	J ROSOWSKI
Rev A	Date	Rev B	Date		
SGD-5470	Scale	NTS	Sheet	2 OF 25	DWG No. FPA-SGD5470.2
Series		Rev. No.		A	

COPYRIGHT © 2020
 PGT INDUSTRIES, INC.,
 LIMITED LICENSE TO MAKE
 COPIES FOR PERMITTING.

ANTHONY LYNN MILLER
 LICENSE
 No. 58705
 9/16/20
 STATE OF
 FLORIDA
 PROFESSIONAL ENGINEER
 A. LYNN MILLER, P.E.
 P.E.# 58705

DETAIL A1
THRU 1X WOOD
INTO MASONRY

DETAIL B1
ASTRAGAL
FACING EXT.

DETAIL C1
INTERLOCK

DETAIL D1
INTO METAL

CONCRETE/CMU PER ANCHOR REQUIREMENT

TYP. ANCHOR TYPE, EMBEDMENT AND EDGE DISTANCE PER SUBSTRATE, SEE TABLE A, SHEET 1 & NOTE 3, BELOW

EMBEDMENT

EDGE DISTANCE

1X OR 2X WOOD BUCKSTRIP, SEE NOTE 4, SHEET 1

ANCHOR PLATE AT EVERY ANCHOR LOCATION

DETAIL A2
INTO 2X WOOD

2X WOOD BUCKSTRIP OR FRAMING, SEE ANCHOR NOTE 3, SHEET 1

TYP. ANCHOR TYPE, EMBEDMENT AND EDGE DISTANCE PER SUBSTRATE, SEE TABLE A, SHEET 1 & NOTE 3, BELOW

EDGE DISTANCE

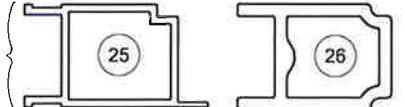
1/4" MAX.
EMBEDMENT

NOTES

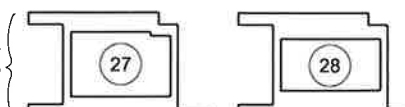
- 1) DETAILS APPLY TO 2, 3 AND 4 TRACK CONFIGURATIONS.
- 2) REFER TO ANCHOR NOTES, SHEET 1.
- 3) SEE SHEET 13 FOR ANCHOR LOCATION & SPACING, FOR ANCHOR QUANTITIES, SEE TABLES 1 & 2.
- 4) CONTINUOUS ANCHOR PLATE, ITEM #8, IS REQUIRED AT ALL FRAME ANCHOR LOCATIONS.
- 5) PANEL WIDTH DOES NOT INCLUDE INTERLOCK OR ASTRAGAL ADD-ON.
- 6) SEE TABLES 1 & 2 FOR REINFORCEMENT REQUIREMENTS. ALL REINFORCEMENTS ARE APPROXIMATELY THE FULL LENGTH OF THE EXTRUSION. REFER TO TEST REPORTS FOR EXACT DIMENSIONS.
- 7) SEE SHEET 20 FOR SCREEN DETAILS.

REINFORCEMENT TYPES (SEE NOTE 6, THIS SHEET)

FOR ALL LOCKSTILES, ASTRAGALS, FIXED STILES AND HORIZONTAL RAILS



FOR INTERLOCKS ONLY



STANDARD

HD

PGI

1070 TECHNOLOGY DRIVE
N. VENICE, FL 34275
(941)-480-1600
CERT. OF AUTH. #29296

Series	Rev B	Rev A	Desc.	Title	Date
SGD-5470			VINYL SLIDING GLASS DOOR FPA	INSTALLATION, HORIZONTAL X-SECT.	3/24/16
Scale	NTS	Sheet	3 OF 25	DWG No.	FPA-SGD5470.2
Rev B	Rev A	Date	Date	Rev. No.	A

COPYRIGHT © 2020
PGT INDUSTRIES, INC.,
LIMITED LICENSE TO MAKE
COPIES FOR PERMITTING.

ANTHONY LYNN MILLER
LICENSE
No. 58705
9/16/20
STATE OF FLORIDA
PROFESSIONAL ENGINEER
A. LYNN MILLER, P.E.
P.E.# 58705

1/4" MAX.

FRAME WIDTH

REQUIRED IF DOOR HEIGHT IS OVER 96"

DAYLIGHT OPENING WIDTH

INTERIOR

EXTERIOR

HORIZONTAL SECTION (XXX SHOWN)

DETAIL D2
INTO MASONRY

EMBEDMENT
1/4" MAX.

EDGE DISTANCE

TYP. ANCHOR TYPE, EMBEDMENT AND EDGE DISTANCE PER SUBSTRATE, SEE TABLE A, SHEET 1 & NOTE 3, BELOW

CONCRETE/CMU PER ANCHOR REQUIREMENT
FIXED PANEL CLIP & ANCHORS, SEE DETAIL SHEET 19

HORIZONTAL SECTION (XO SHOWN)

PANEL WIDTH

DETAIL B2
ASTRAGAL
FACING INT.

INTERIOR

EXTERIOR

ASTRAGAL MAY BE INSTALLED IN EITHER INTERIOR OR EXTERIOR DIRECTION. ALL PARTS IDENTICAL.

METAL TYP., ANCHOR LENGTH TO BE A MIN. OF 3 THREADS BEYOND THE METAL SUBSTRATE

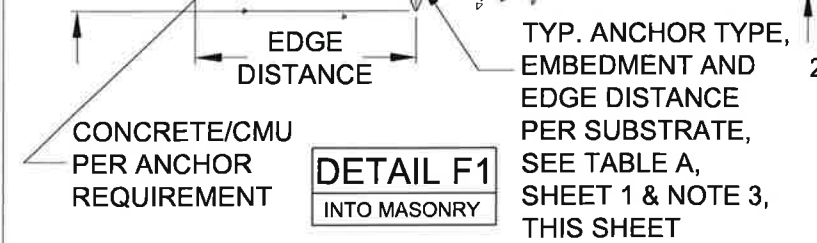
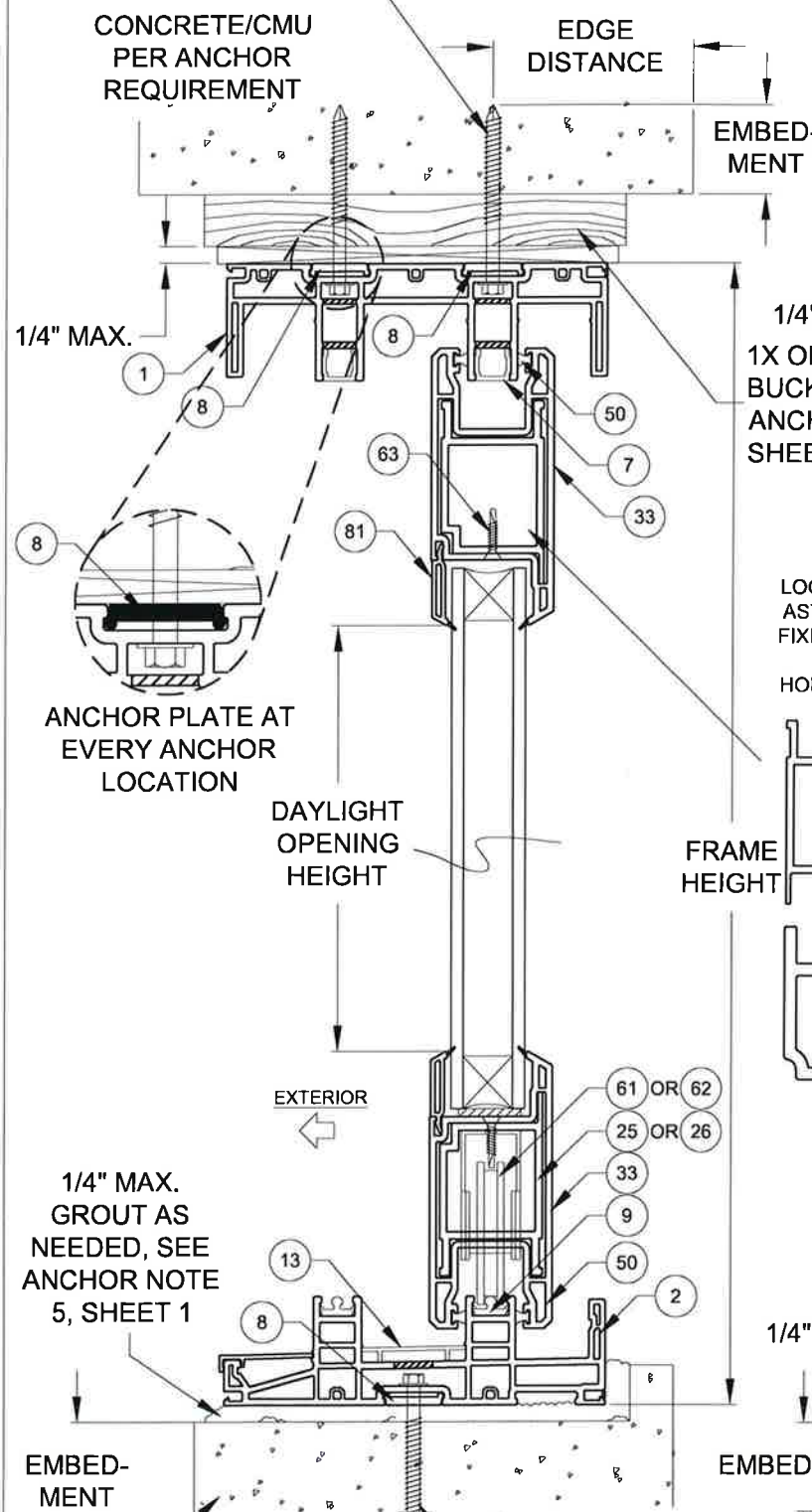
EDGE DISTANCE

EDGE DISTANCE

TYP. ANCHOR TYPE, EMBEDMENT AND EDGE DISTANCE PER SUBSTRATE, SEE TABLE A, SHEET 1 & NOTE 3, BELOW

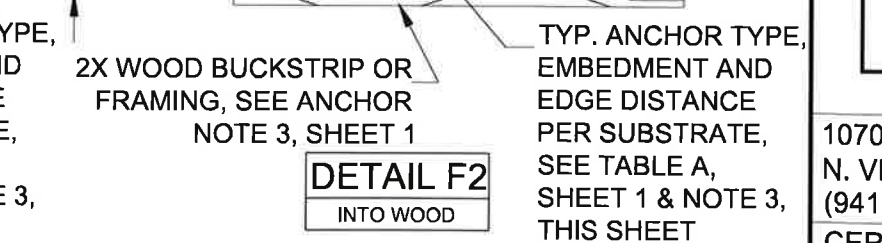
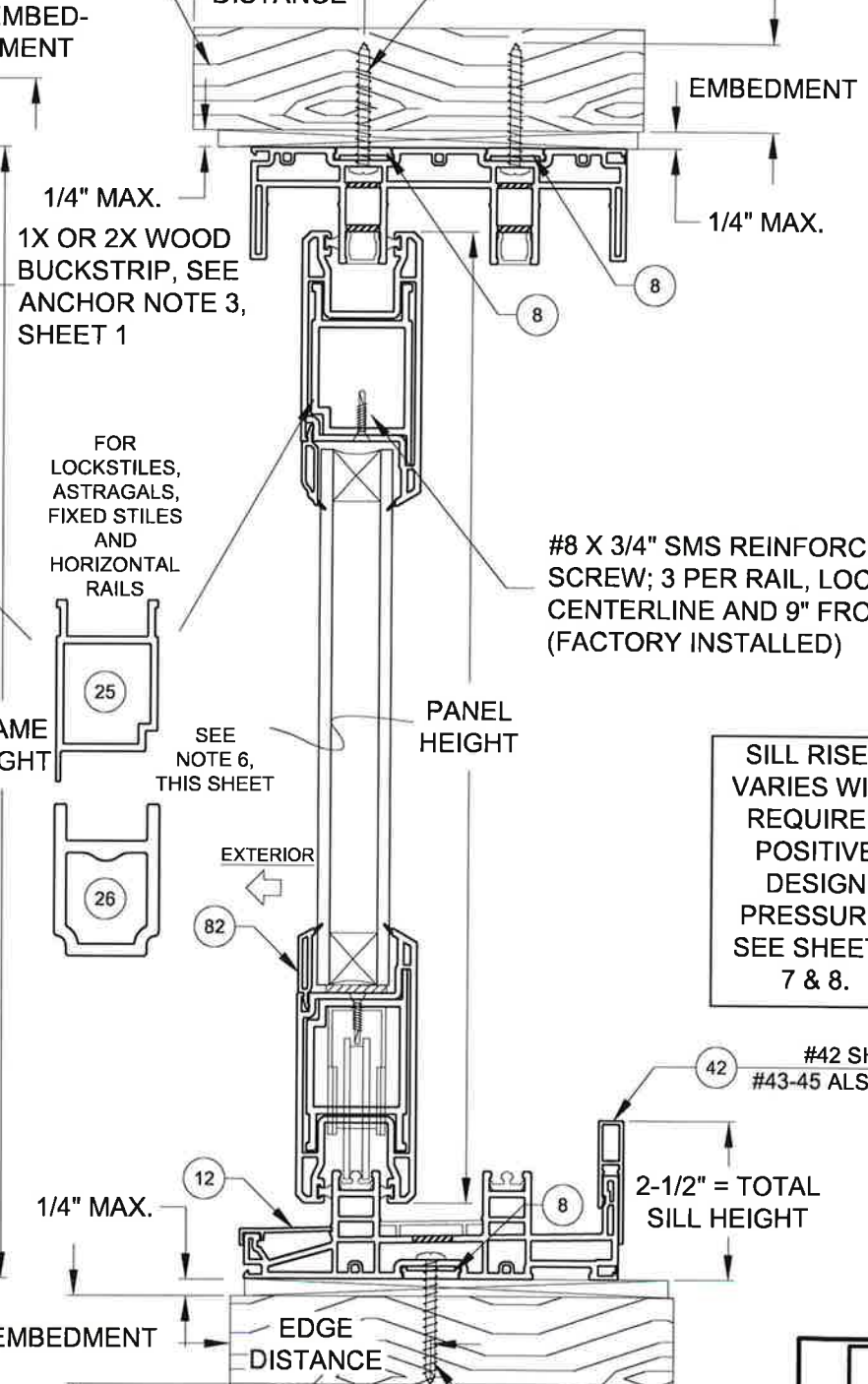
DETAIL E1
INTO MASONRY
1X BUCKSTRIP

TYP. ANCHOR TYPE, EMBEDMENT AND EDGE DISTANCE PER SUBSTRATE, SEE TABLE A, SHEET 1 & NOTE 3, THIS SHEET

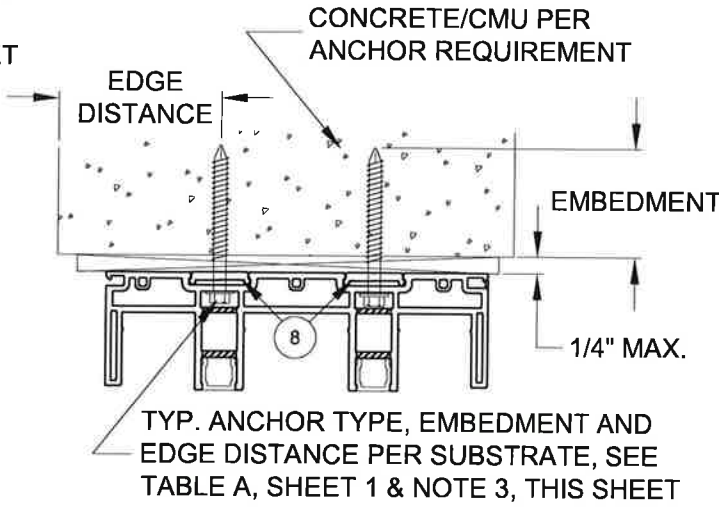


DETAIL E2
INTO WOOD

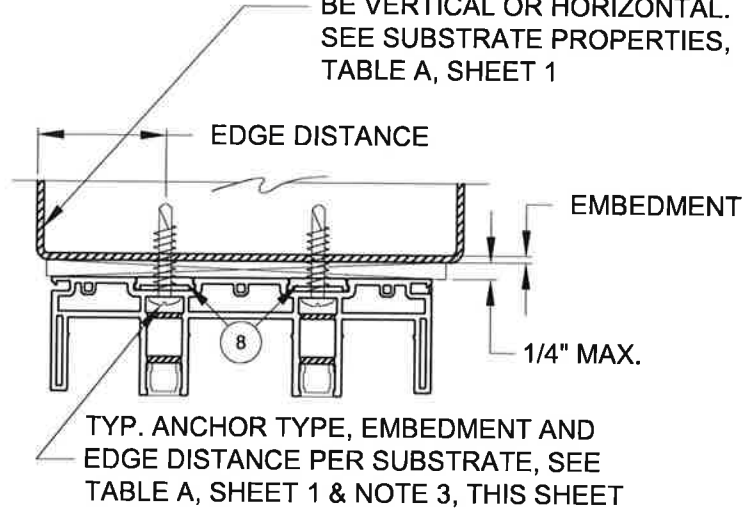
2X WOOD BUCKSTRIP OR FRAMING, SEE ANCHOR NOTE 3, SHEET 1
TYP. ANCHOR TYPE, EMBEDMENT AND EDGE DISTANCE PER SUBSTRATE, SEE TABLE A, SHEET 1 & NOTE 3, THIS SHEET



DETAIL E3
INTO MASONRY

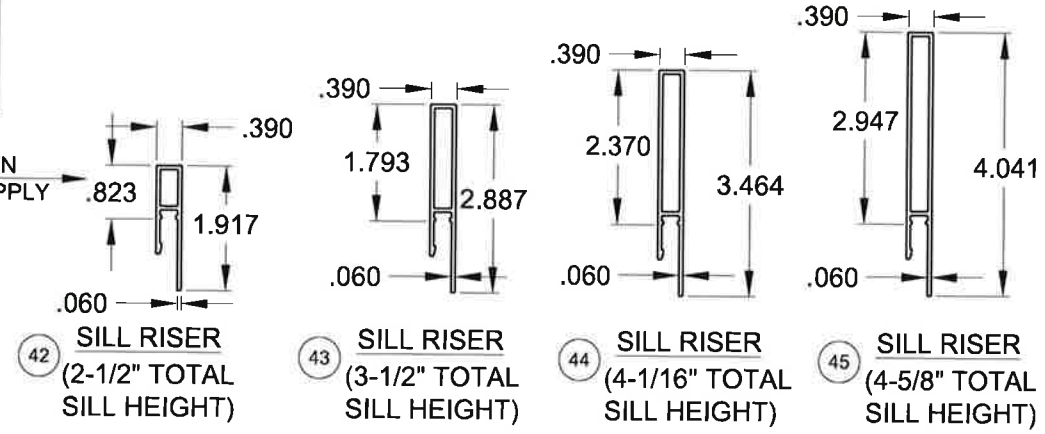


DETAIL E4
INTO METAL

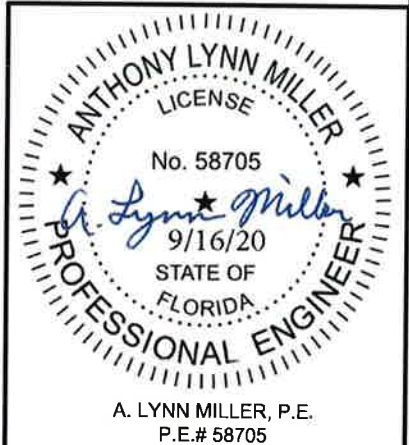


- NOTES**
- 1) DETAILS APPLY TO 2, 3 AND 4 TRACK CONFIGURATIONS.
 - 2) REFER TO ANCHOR NOTES, SHEET 1.
 - 3) SEE SHEETS 11 & 12 FOR ANCHOR LOCATION & SPACING, FOR ANCHOR QUANTITIES, SEE TABLES 1 & 2.
 - 4) CONTINUOUS ANCHOR PLATE, ITEM #8, IS REQUIRED AT ALL FRAME ANCHOR LOCATIONS.
 - 5) SEE SHEET 20 FOR SCREEN DETAILS.
 - 6) SEE TABLES 1 & 2 FOR REINFORCEMENT REQUIREMENTS. ALL REINFORCEMENTS ARE APPROXIMATELY THE FULL LENGTH OF THE EXTRUSION. REFER TO TEST REPORTS FOR EXACT DIMENSIONS.

SILL RISER VARIES WITH REQUIRED POSITIVE DESIGN PRESSURE, SEE SHEETS 7 & 8.

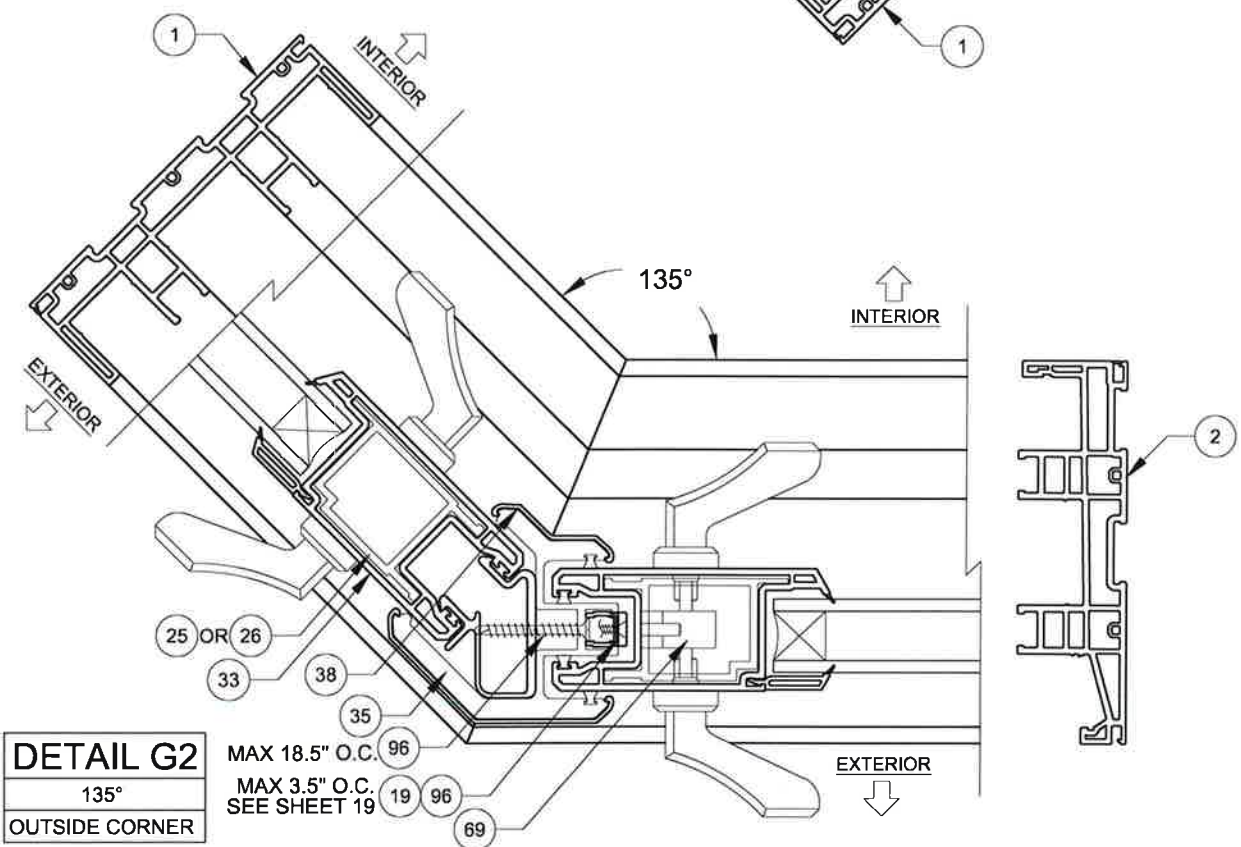
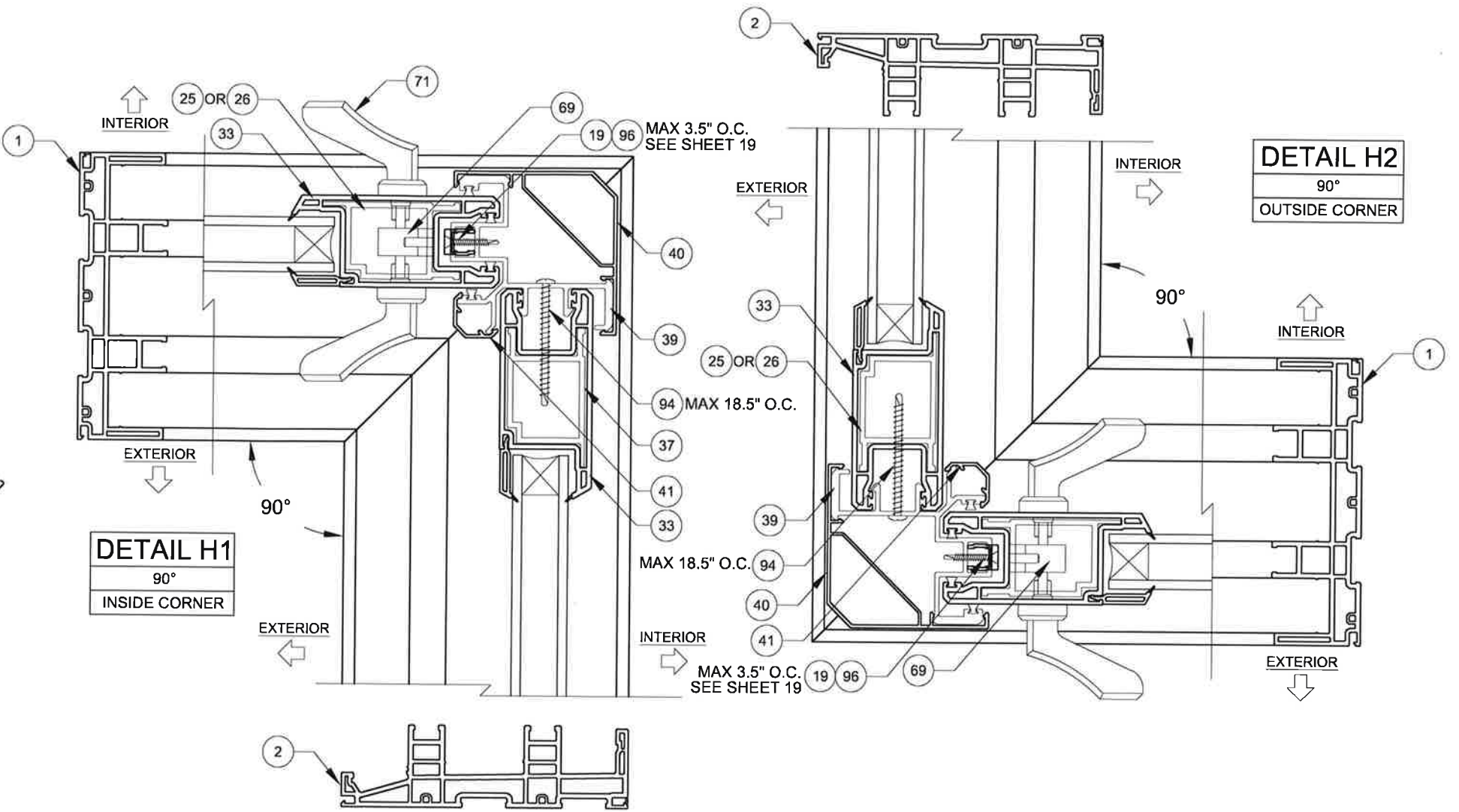
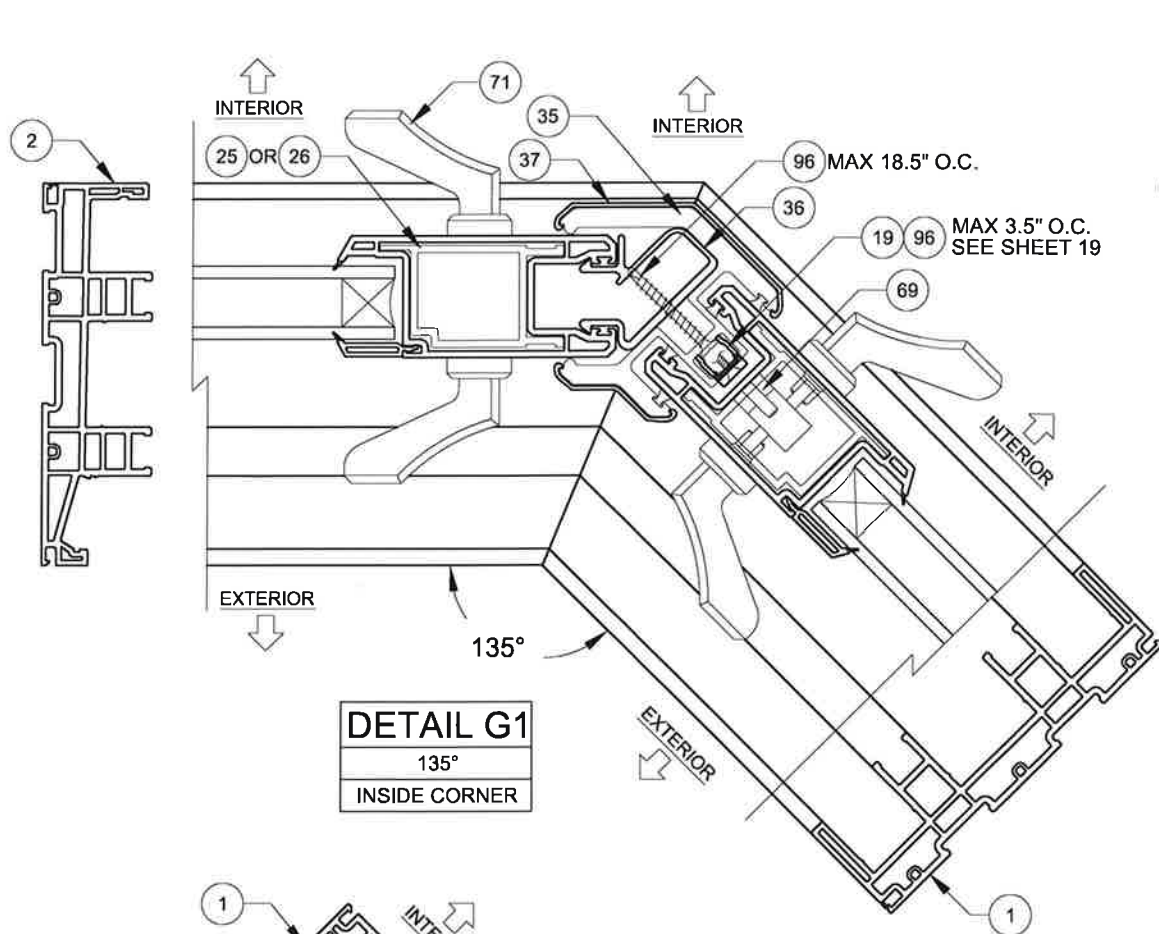


COPYRIGHT © 2020
PGT INDUSTRIES, INC.,
LIMITED LICENSE TO MAKE
COPIES FOR PERMITTING.



PGT
1070 TECHNOLOGY DRIVE
N. VENICE, FL 34275
(941)-480-1600
CERT. OF AUTH. #29296

Series	SGD-5470	Scale	NTS	Sheet	4 OF 25	DWG No.	FPA-SGD5470.2	Rev. No.	A
Title	VINYL SLIDING GLASS DOOR FPA		Date	3/24/16					
Desc.	INSTALLATION, VERTICAL X-SECT.		Drawn By	J ROSOWSKI					
Rev A	Date	Rev B	Date						



DETAIL H2
90°
OUTSIDE CORNER

NOTES

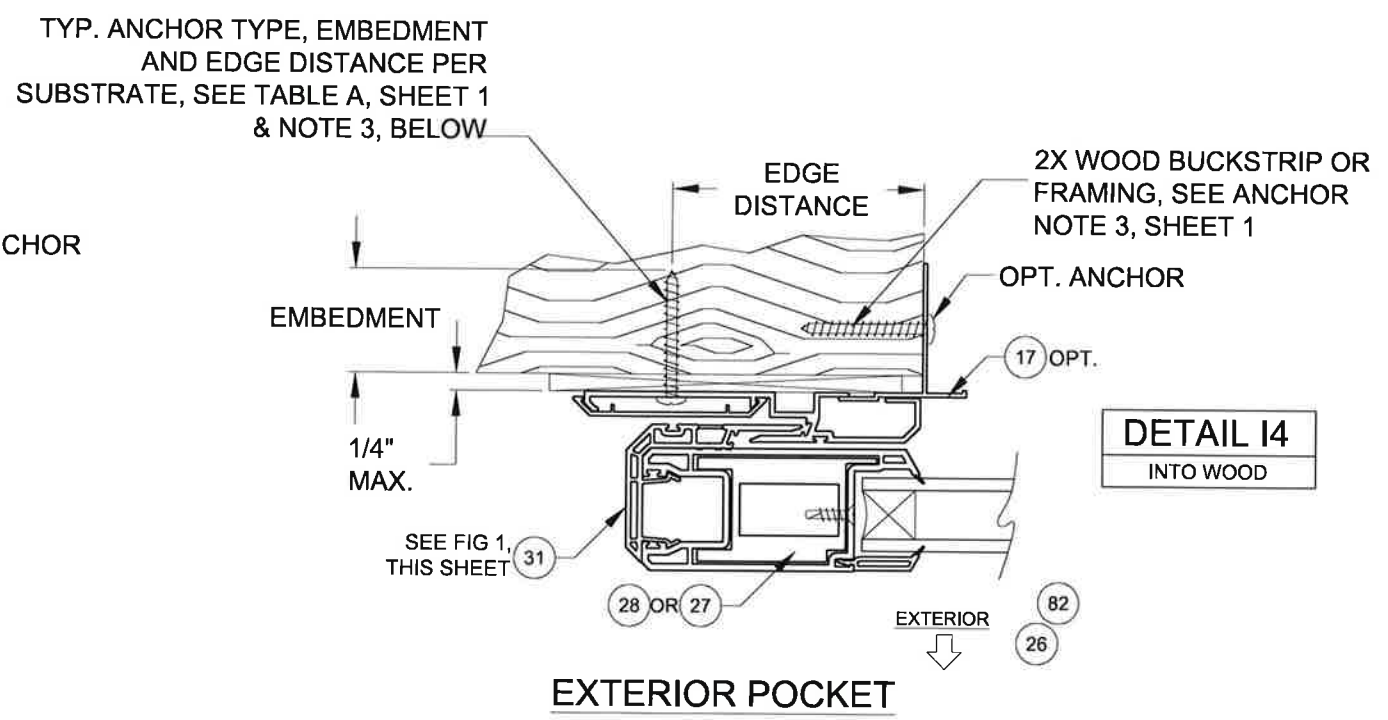
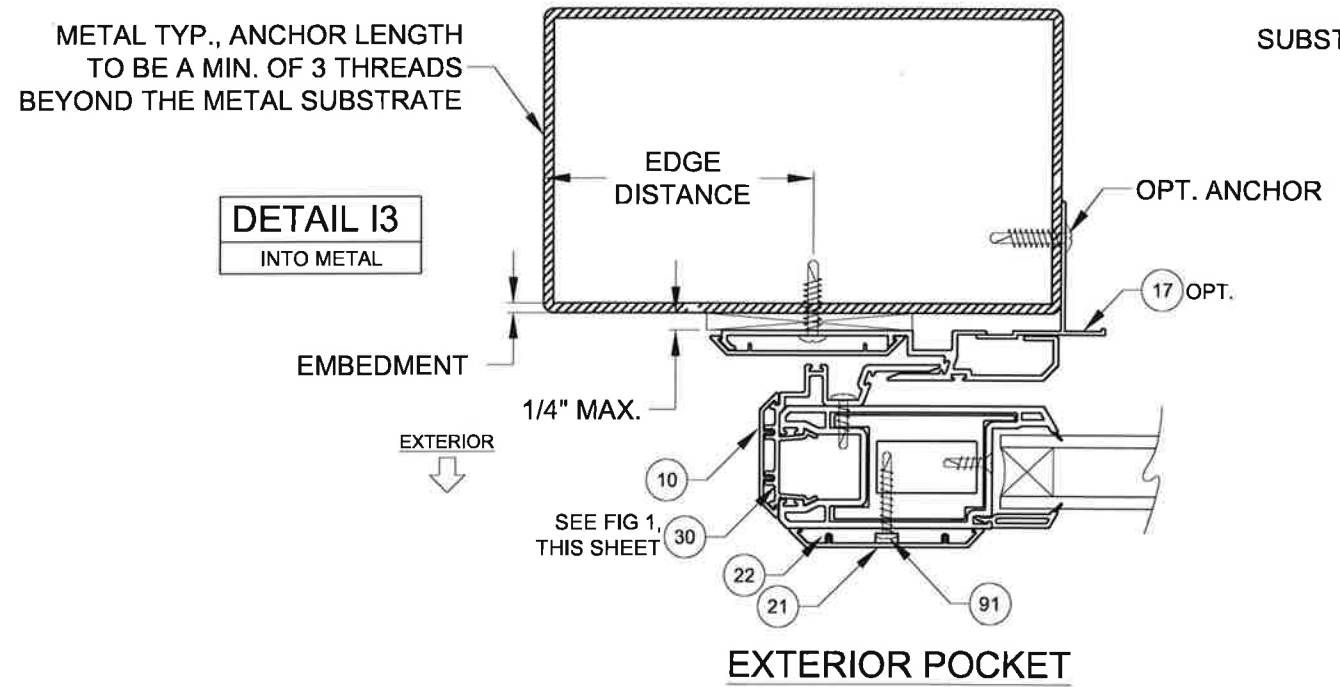
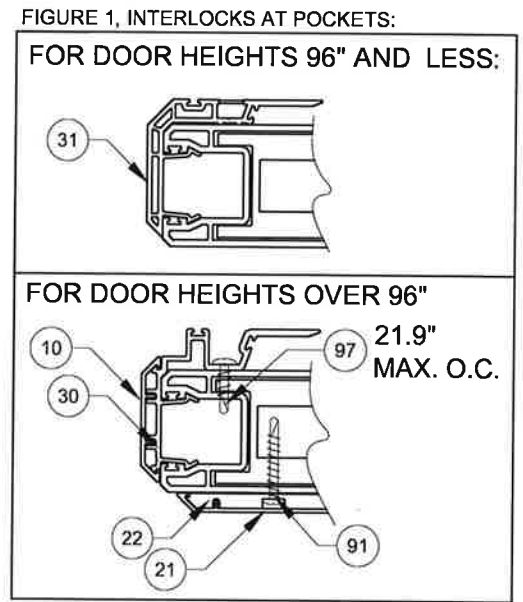
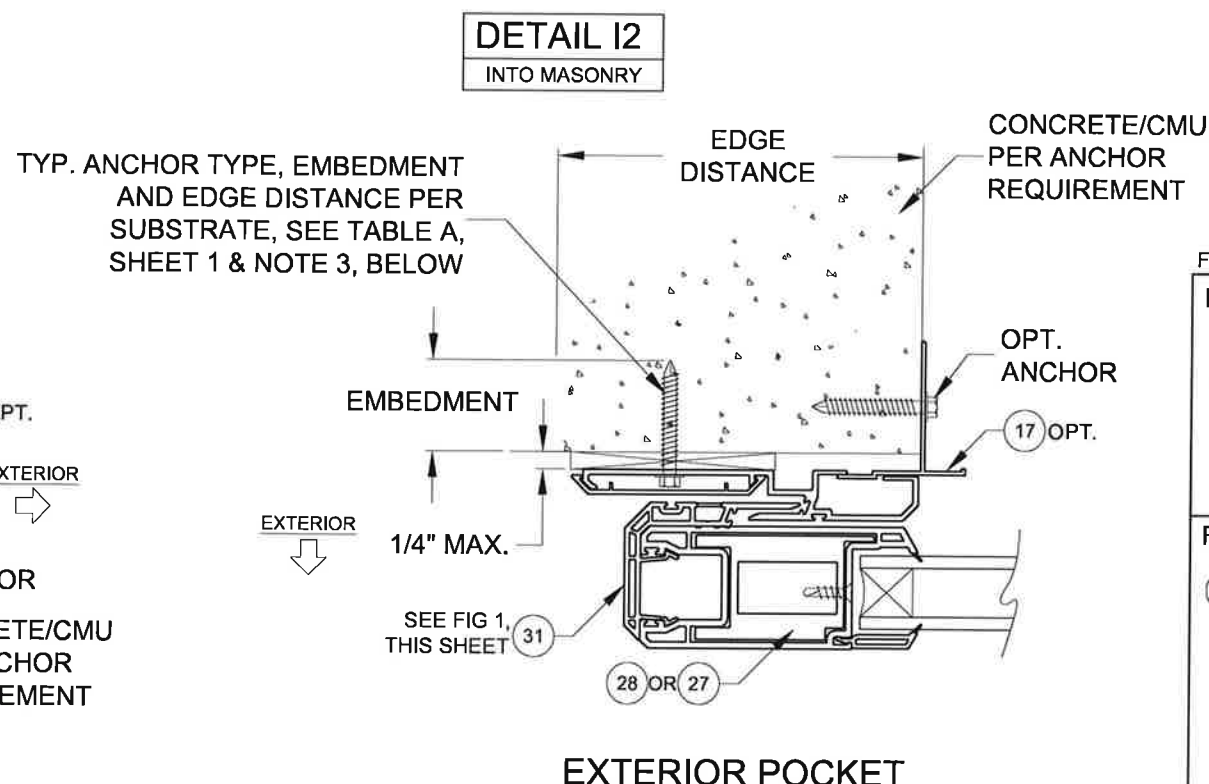
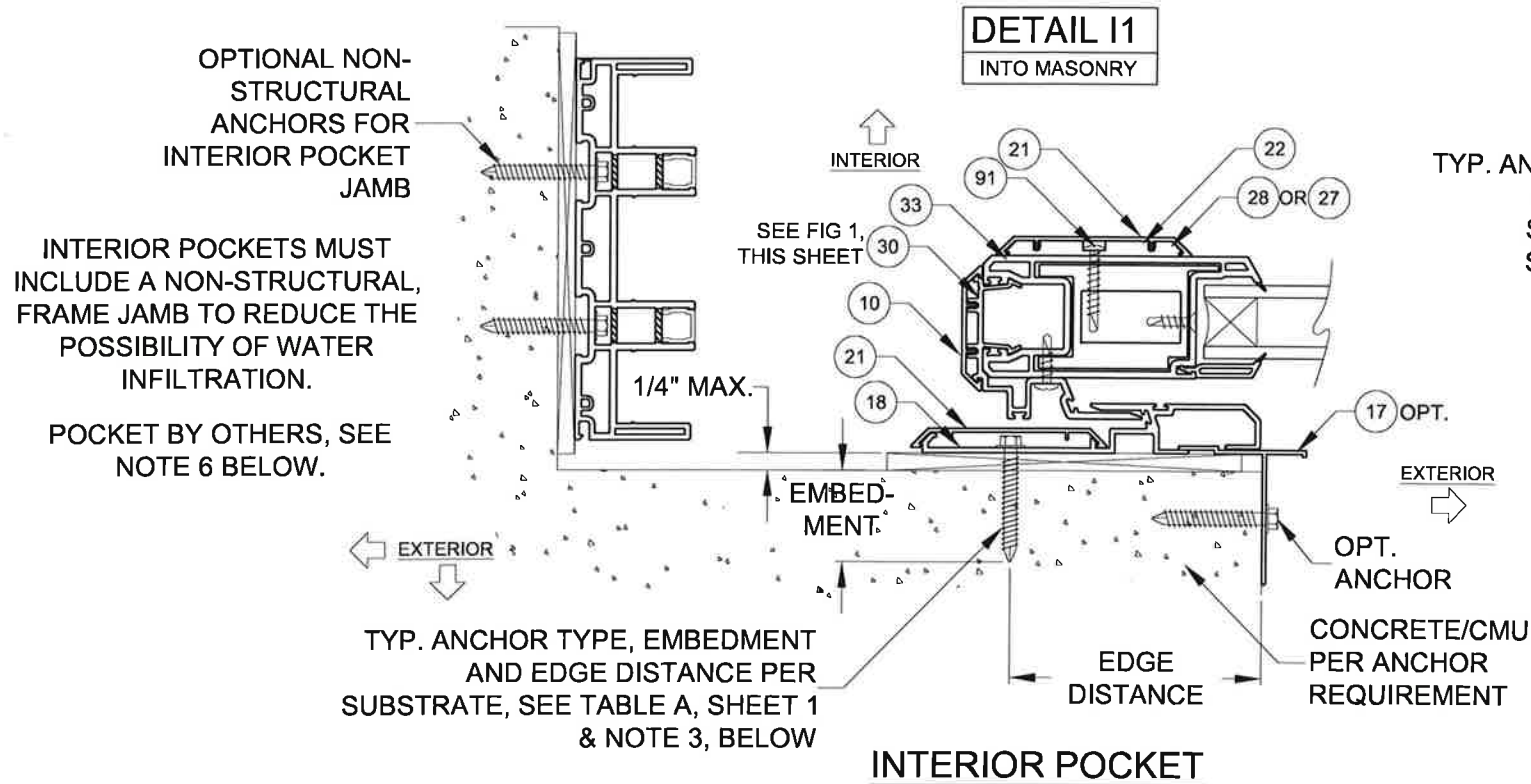
- 1) DETAILS APPLY TO 2, 3 AND 4 TRACK CONFIGURATIONS.
- 2) SEE SHEETS 14 & 15 FOR ANCHOR LOCATION & SPACING, FOR ANCHOR QUANTITIES, SEE TABLES 1 & 2.
- 3) CORNER ASTRAGAL MAY BE EITHER TO THE INTERIOR OR EXTERIOR, DEPENDING ON CONFIGURATION.

PGT
1070 TECHNOLOGY DRIVE
N. VENICE, FL 34275
(941)-480-1600
CERT. OF AUTH. #29296

Series	SGD-5470	Scale	NTS	Sheet	5 OF 25	DWG No.	FPA-SGD5470.2	Rev. No.	A
Title	VINYL SLIDING GLASS DOOR FPA		Date	3/24/16					
Desc.	CORNER ASTRAGAL HORIZ. X-SECT.		Drawn By	J ROSOWSKI					
Rev A	Date	Rev B	Date						

COPYRIGHT © 2020
PGT INDUSTRIES, INC.,
LIMITED LICENSE TO MAKE
COPIES FOR PERMITTING.

ANTHONY LYNN MILLER
LICENSE
No. 58705
9/16/20
STATE OF
FLORIDA
PROFESSIONAL ENGINEER
A. LYNN MILLER, P.E.
P.E.# 58705



- NOTES**
- 1) DETAILS APPLY TO 2, 3 AND 4 TRACK CONFIGURATIONS.
 - 2) REFER TO ANCHOR NOTES, SHEET 1.
 - 3) SEE SHEET 13 FOR ANCHOR LOCATION & SPACING, FOR ANCHOR QUANTITIES, SEE TABLES 1 & 2.
 - 4) SEE TABLES 1 & 2 FOR REINFORCEMENT REQUIREMENTS.
 - 5) INTERIOR OR EXTERIOR POCKETS APPLICABLE FOR ALL INSTALLATION METHODS.
 - 6) POCKET WALL OR CAVITY IS NOT PART OF THIS APPROVAL AND IS TO BE DESIGNED BY OTHERS AND REVIEWED BY THE AUTHORITY HAVING JURISDICTION.

1070 TECHNOLOGY DRIVE
N. VENICE, FL 34275
(941)-480-1600
CERT. OF AUTH. #29296

Series	Rev A	Rev B	Rev A	Rev B	Rev A	Rev B	Rev A	Rev B
SGD-5470	Scale	NTS	Sheet	6 OF 25	DWG No.	FPA-SGD5470.2	Rev. No.	A
VINYL SLIDING GLASS DOOR FPA					Date	3/24/16		
P-HOOK EXAMPLES, HORIZ. X-SECT.					Drawn By	J ROSOWSKI		

COPYRIGHT © 2020
PGT INDUSTRIES, INC.,
LIMITED LICENSE TO MAKE
COPIES FOR PERMITTING.

ANTHONY LYNN MILLER
LICENSE
No. 58705
9/16/20
STATE OF FLORIDA
PROFESSIONAL ENGINEER
A. LYNN MILLER, P.E.
P.E.# 58705

TABLE 1:

Design Pressure (DP) and Anchor Quantities Required															
Use this table for: Astragal Reinforcement #29 Lockstile Reinforcement #25 or #26 Std. Interlock Reinforcement #27			Door Unit Height												
			80"				84"				96"				
			68-15/16" DLO Height				72-15/16" DLO Height				84-15/16" DLO Height				
			Anchor Group				Anchor Group				Anchor Group				
			A	B	C	D	A	B	C	D	A	B	C	D	
Nominal Panel Width	24"	19-1/8" DLO Width	Design Pressure	+60 / -60 psf				+60 / -60 psf				+60 / -60 psf			
			Head/Sill	C3+1	C3+1	C3+1	C3+1	C3+1	C3+1	C3+1	C3+1	C3+1	C3+1	C3+1	C3+1
			Jamb	5	5	5	5	5	5	5	5	5	5	5	5
			P-hook	7	7	7	7	7	7	7	7	8	8	8	8
	30"	25-1/8" DLO	Design Pressure	+60 / -60 psf				+60 / -60 psf				+60 / -60 psf			
			Head/Sill	C3+1	C3+1	C3+1	C3+1	C3+1	C3+1	C3+1	C3+1	C3+1	C3+1	C3+1	C3+1
			Jamb	5	5	5	5	5	5	5	5	5	5	5	5
			P-hook	7	7	7	7	7	7	7	7	8	8	8	8
	36"	31-1/8" DLO Width	Design Pressure	+60 / -60 psf				+60 / -60 psf				+60 / -60 psf			
			Head/Sill	C3+1	C3+1	C3+1	C3+1	C3+1	C3+1	C3+1	C3+1	C3+1	C3+1	C3+1	C3+1
			Jamb	5	5	5	5	5	5	5	5	5	5	5	5
			P-hook	7	7	7	7	7	7	7	7	8	8	8	8
42"	37-1/8" DLO Width	Design Pressure	+60 / -60 psf				+60 / -60 psf				+60 / -60 psf				
		Head/Sill	C3+1	C3+1	C3+1	C3+1	C3+1	C3+1	C3+1	C3+1	C3+1	C3+1	C3+1	C3+1	
		Jamb	5	5	5	5	5	5	5	5	5	5	5	5	
		P-hook	7	7	7	7	7	7	7	7	8	8	8	8	
48"	43-1/8" DLO Width	Design Pressure	+60 / -60 psf				+60 / -60 psf				+60 / -60 psf				
		Head/Sill	C3+2	C3+1	C3+1	C3+1	C3+2	C3+1	C3+1	C3+1	C5+2	C3+1	C3+1	C3+1	
		Jamb	5	5	5	5	5	5	5	5	5	5	6	5	
		P-hook	7	7	7	7	7	7	7	7	8	8	8	8	

USED IN EXAMPLE ON SHEET 9

ANCHORAGE TYPE PER SUBSTRATE REQUIRED TO ACHIEVE THE DESIGN PRESSURE, USING THE ANCHOR QUANTITIES LISTED BELOW. SEE TABLE A, SHEET 1 FOR COMPLETE ANCHOR LIMITATIONS.

THE MAXIMUM DP AT THESE ANCHOR QUANTITIES. ADDITIONALLY, THE MAXIMUM POSITIVE DP DUE TO THE SILL HEIGHT MUST ALSO BE CONSIDERED, SEE TABLE B1, THIS SHEET.

OF ANCHORS THROUGH THE HEAD & SILL. (EX: FOR C3+1, 3 ANCHORS CLUSTERED AT PANEL MEETING POINT AND 1 ANCHOR REQUIRED AT MIDSPAN OF PANEL).

TOTAL # OF ANCHORS THROUGH THE JAMB.

THE # OF ANCHORS REQUIRED THROUGH THE P-HOOK, PERPENDICULAR TO THE GLASS.

TABLE B1:

Water-Limited (+) Design Pressure		
Sill Riser	Nom. Sill Height	Max. (+) DP Allowed
None	1-11/16"	See Note 2
42	2-1/2"	+38.7 psf
43	3-1/2"	+60.0 psf
44	4-1/16"	+80.0 psf
45	4-5/8"	+100.0 psf

FIG 1:

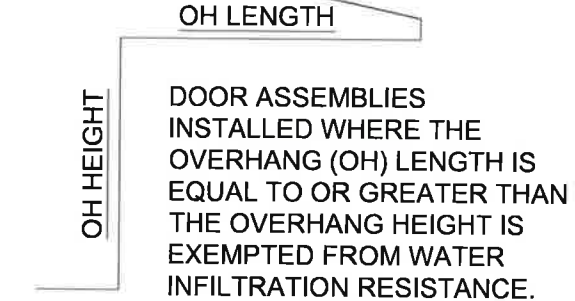


TABLE NOTES:

- 1) IF WATER INFILTRATION RESISTANCE IS REQUIRED, THE LESSER VALUES OF EITHER TABLE 1 AND TABLE B1 DETERMINES THE WATER LIMITED (+) DP.
- 2) IF WATER INFILTRATION RESISTANCE IS NOT REQUIRED OR OVERHANG IS PER FIG 1, A SILL RISER IS NOT REQUIRED; OTHERWISE, +DP'S SHOWN IN TABLE 1 MAY BE USED.
- 3) SEE SILL RISER TYPES ON SHEET 4.
- 4) SHEET APPLIES TO 2, 3 AND 4 TRACK CONFIGURATIONS.
- 5) REFER TO ANCHOR NOTES, SHEET 1.
- 6) SEE SHEETS 11-16 FOR ANCHOR LOCATION & SPACING

DLO WIDTH = NOM. PANEL WIDTH - 7-3/8"
DLO HEIGHT = DOOR HEIGHT - 11-1/16"
PANEL HEIGHT = DOOR HEIGHT - 2-1/2"

1070 TECHNOLOGY DRIVE
N. VFNICF, FL 34275
(941)-480-1600
CERT. OF AUTH. #29296

Series	Rev B	Rev A	Desc.	Title	Date
			VINYL SLIDING GLASS DOOR FPA		3/24/16
			DP & ANCHOR QUANTITY TABLE	Drawn By	J ROSOWSKI
				Rev A Date	
				Rev B Date	
SGD-5470	Scale	NTS	Sheet	7 OF 25	DWG No.
					FPA-SGD5470.2
					Rev. No.
					A

COPYRIGHT © 2020
PGT INDUSTRIES, INC.,
LIMITED LICENSE TO MAKE
COPIES FOR PERMITTING.

ANTHONY LYNN MILLER
LICENSE
No. 58705
9/16/20
STATE OF FLORIDA
PROFESSIONAL ENGINEER
A. LYNN MILLER, P.E.
P.E.# 58705

TABLE 2:

Design Pressure (DP) and Anchor Quantities Required																							
Use this table for: Astragal Reinforcement #29 Lockstile Reinforcement #25 HD Interlock Reinforcement #28			Door Unit Height																				
			80"				84"				96"				108"				120"				
			68-15/16" DLO Height				72-15/16" DLO Height				84-15/16" DLO Height				96-15/16" DLO Height				108-15/16" DLO Height				
			Anchor Group				Anchor Group				Anchor Group				Anchor Group				Anchor Group				
			A	B	C	D	A	B	C	D	A	B	C	D	A	B	C	D	A	B	C	D	
Nominal Panel Width	24"	19-1/8" DLO Width	Design Pressure	+80 / -80 psf				+80 / -80 psf				+80 / -80 psf				+60 / -65 psf				+60 / -65 psf			
			Head/Sill	C3+1	C3+1	C3+1	C3+1	C3+1	C3+1	C3+1	C3+1	C3+1	C3+1	C3+1	C3+1	C3+1	C3+1	C3+1	C3+1	C3+1	C3+1	C3+1	C3+1
			Jamb	5	5	5	5	5	5	5	5	5	5	5	5	6	6	6	6	6	6	6	6
			P-hook	7	7	7	7	7	7	7	7	8	8	8	8	9	9	9	9	10	10	10	10
	30"	25-1/8" DLO	Design Pressure	+80 / -80 psf				+80 / -80 psf				+80 / -80 psf				+60 / -65 psf				+60 / -65 psf			
			Head/Sill	C3+1	C3+1	C3+1	C3+1	C3+1	C3+1	C3+1	C3+1	C5+1	C3+1	C3+1	C3+1	C3+1	C3+1	C3+1	C3+1	C5+1	C3+1	C3+1	C3+1
			Jamb	5	5	5	5	5	5	5	5	5	5	5	5	6	6	6	6	6	6	6	6
			P-hook	7	7	7	7	7	7	7	7	8	8	8	8	9	9	9	9	10	10	10	10
	36"	31-1/8" DLO Width	Design Pressure	+80 / -80 psf				+80 / -80 psf				+80 / -80 psf				+60 / -65 psf				+60 / -65 psf			
			Head/Sill	C3+1	C3+1	C3+1	C3+1	C3+1	C3+1	C3+1	C3+1	C5+1	C3+1	C5+1	C3+1	C5+1	C3+1	C3+1	C3+1	C5+1	C3+1	C3+1	C3+1
			Jamb	5	5	5	5	5	5	5	5	5	5	6	5	6	6	6	6	6	6	6	6
			P-hook	7	7	7	7	7	7	7	7	8	8	8	8	9	9	9	9	10	10	10	10
	42"	37-1/8" DLO Width	Design Pressure	+80 / -80 psf				+80 / -80 psf				+80 / -80 psf				+60 / -65 psf				+60 / -65 psf			
			Head/Sill	C5+2	C3+1	C3+1	C3+1	C5+2	C3+1	C3+1	C3+1	C5+2	C3+1	C5+1	C3+1	C5+1	C3+1	C5+1	C3+1	C5+1	C5+1	C5+1	C3+1
			Jamb	5	5	5	5	5	5	6	5	5	5	7	5	6	6	6	6	6	6	7	6
			P-hook	7	7	7	7	7	7	7	7	8	8	8	8	9	9	9	9	10	10	10	10
	48"	43-1/8" DLO Width	Design Pressure	+80 / -80 psf				+80 / -80 psf				+80 / -80 psf				+60 / -65 psf				+60 / -65 psf			
			Head/Sill	C5+2	C3+2	C5+2	C3+1	C5+2	C3+2	C5+2	C3+1	C5+2	C5+2	C5+2	C3+1	C5+2	C3+1	C5+2	C3+1	C5+2	C5+1	C5+2	C3+1
			Jamb	5	5	6	5	5	5	6	5	5	5	7	5	6	6	7	6	6	6	8	6
			P-hook	7	7	7	7	7	7	7	7	8	8	8	8	9	9	9	9	10	10	10	10
54"	49-1/8" DLO Width	Design Pressure	+60 / -60 psf				+60 / -60 psf				+60 / -60 psf				Not available in these sizes								
		Head/Sill	C3+2	C3+1	C3+2	C3+1	C3+2	C3+1	C3+2	C3+1	C5+2	C3+1	C5+2	C3+1									
		Jamb	5	5	5	5	5	5	5	5	5	5	6	5									
		P-hook	7	7	7	7	7	7	7	7	8	8	8	8									
60"	55-1/8" DLO Width	Design Pressure	+60 / -60 psf				+60 / -60 psf				+60 / -60 psf				Not available in these sizes								
		Head/Sill	C3+2	C3+2	C3+2	C3+1	C5+2	C3+2	C3+2	C3+1	C5+2	C3+2	C5+2	C3+1									
		Jamb	5	5	5	5	5	5	5	5	5	5	6	5									
		P-hook	7	7	7	7	7	7	7	7	8	8	8	8									

ANCHORAGE TYPE PER SUBSTRATE REQUIRED TO ACHIEVE THE DESIGN PRESSURE, USING THE ANCHOR QUANTITIES LISTED BELOW. SEE TABLE A, SHEET 1 FOR COMPLETE ANCHOR LIMITATIONS.

THE MAXIMUM DP AT THESE ANCHOR QUANTITIES. ADDITIONALLY, THE MAXIMUM POSITIVE DP DUE TO THE SILL HEIGHT MUST ALSO BE CONSIDERED, SEE TABLE B2, THIS SHEET.

OF ANCHORS THROUGH THE HEAD & SILL. (EX: FOR C3+1, 3 ANCHORS CLUSTERED AT PANEL MEETING POINT AND 1 ANCHOR REQUIRED AT MIDSPAN OF PANEL).

TOTAL # OF ANCHORS THROUGH THE JAMB.

THE # OF ANCHORS REQUIRED THROUGH THE P-HOOK, PERPENDICULAR TO THE GLASS.

FIG 1:

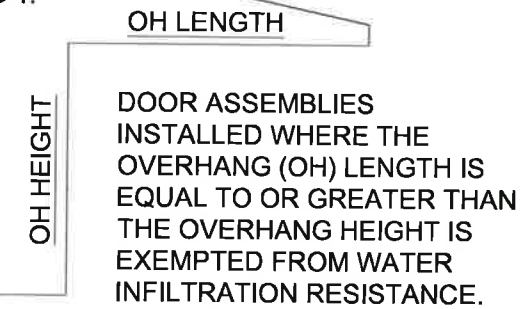


TABLE B2:

Water-Limited (+) Design Pressure		
Sill Riser	Nom. Sill Height	Max. (+) DP Allowed
None	1-11/16"	See Note 2
42	2-1/2"	+38.7 psf
43	3-1/2"	+60.0 psf
44	4-1/16"	+80.0 psf
45	4-5/8"	+100.0 psf

DLO WIDTH = NOM. PANEL WIDTH - 7-3/8"
DLO HEIGHT = DOOR HEIGHT - 11-1/16"
PANEL HEIGHT = DOOR HEIGHT - 2-1/2"

TABLE NOTES:

- IF WATER INFILTRATION RESISTANCE IS REQUIRED, THE LESSER VALUES OF EITHER TABLE 2 AND TABLE B2 DETERMINES THE WATER LIMITED (+) DP.
- IF WATER INFILTRATION RESISTANCE IS NOT REQUIRED OR OVERHANG IS PER FIG 1, A SILL RISER IS NOT REQUIRED; OTHERWISE, +DP'S SHOWN IN TABLE 2 MAY BE USED.
- SEE SILL RISER TYPES ON SHEET 4.
- SHEET APPLIES TO 2, 3 AND 4 TRACK CONFIGURATIONS.
- REFER TO ANCHOR NOTES, SHEET 1.
- SEE SHEETS 11-16 FOR ANCHOR LOCATION & SPACING



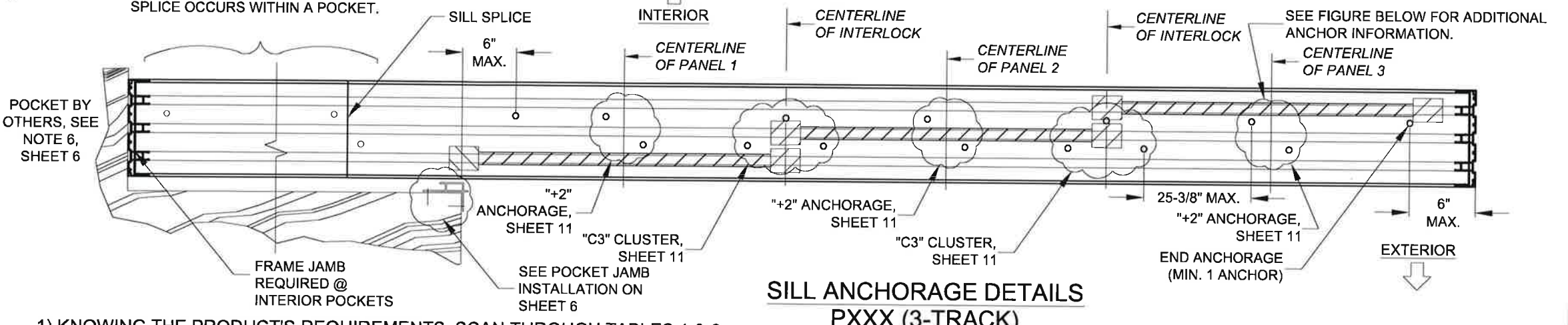
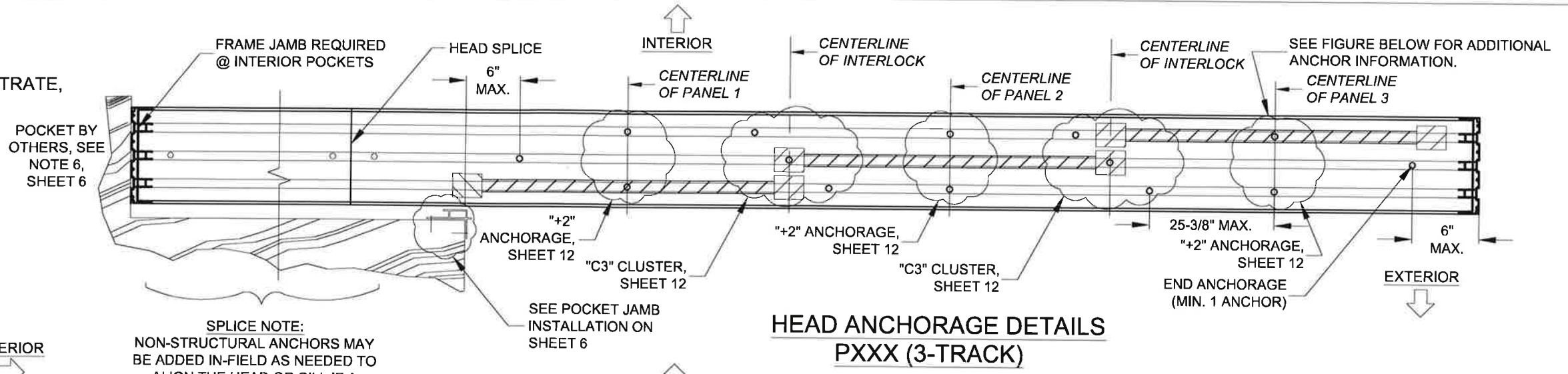
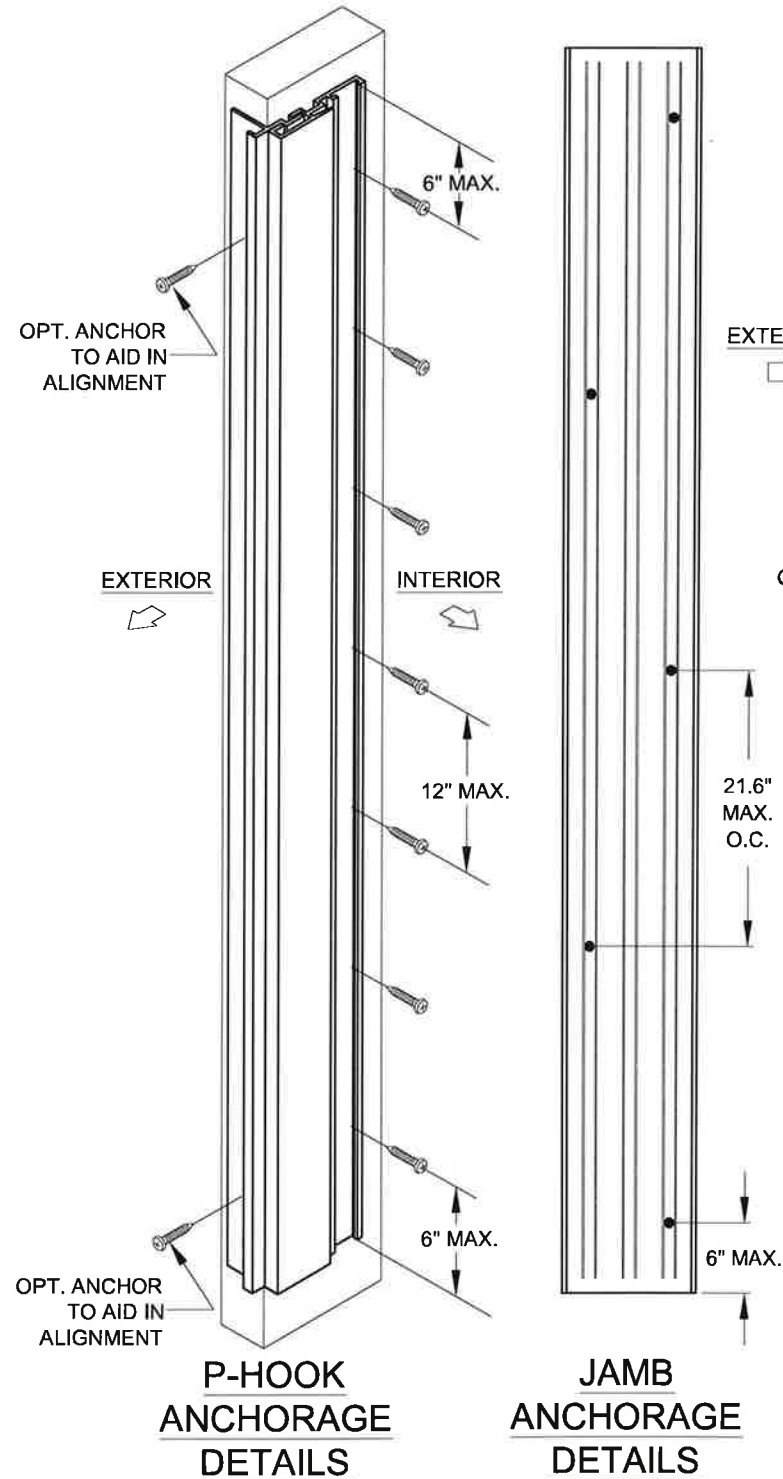
Series	SGD-5470	Scale	NTS	Sheet	8 OF 25	DWG No.	FPA-SGD5470.2	Rev. No.	A
Title	VINYL SLIDING GLASS DOOR FPA		Date	3/24/16					
Desc.	DP & ANCHOR QUANTITY TABLE		Drawn By	J ROSOWSKI					
Rev A	Date	Rev B	Date						

COPYRIGHT © 2020 PGT INDUSTRIES, INC., LIMITED LICENSE TO MAKE COPIES FOR PERMITTING.

A. LYNN MILLER, P.E.
P.E.# 58705

EXAMPLE:

3-PANEL, 3 TRACK, STRAIGHT CONFIGURATION - PXXX,
 INTERIOR MOUNT POCKET, 48" X 84" NOM. PANELS,
 LAMINATED, IG GLAZING, ANCHOR GROUP A IN WOOD SUBSTRATE,
 PROJECT DESIGN PRESSURE REQUIRED: +48.2/-58.6 PSF



1) KNOWING THE PRODUCT'S REQUIREMENTS, SCAN THROUGH TABLES 1 & 2 FOR A DESIGN PRESSURE THAT MEETS OR EXCEEDS THE REQUIREMENT OF +48.2/-58.6 AT A NOM. PANEL SIZE OF 48" X 84". FROM TABLE 1, SHEET 7, THE DESIGN PRESSURE IS +60/-60 WHICH EXCEEDS THE PROJECT DESIGN PRESSURE REQUIREMENTS.

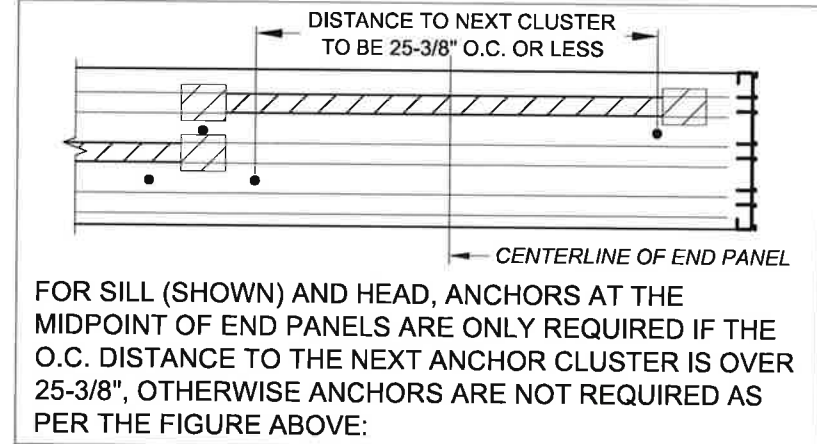
FOR WOOD INSTALLATION USING ANY ANCHOR IN GROUP A (SEE TABLE A), TABLE 1 SHOWS ANCHOR REQUIREMENTS OF:

Head/Sill	C3+2
Jamb	5
P-hook	7

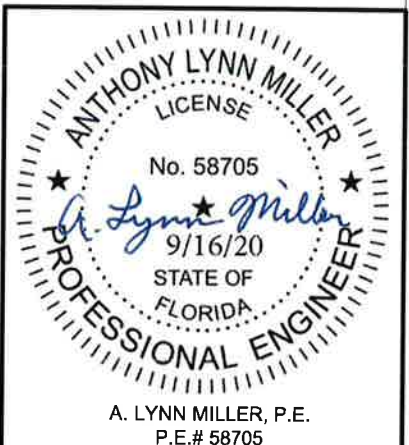
2) ANCHOR LOCATION DETAILS, CAN BE FOUND ON:
 HEAD (CLUSTER ANCHORS): SHEET 12 FOR THE "C3" CLUSTER ANCHORS AT THE INTERLOCK/ASTRAGAL.
 HEAD (INTERMEDIATE ANCHORS): SHEET 12 FOR THE "+2" ANCHORS AT THE MIDSPAN OF EACH PANEL.
 SILL (CLUSTER ANCHORS): SHEET 11 FOR THE "C3" CLUSTER ANCHORS AT THE INTERLOCK/ASTRAGAL.
 SILL (INTERMEDIATE ANCHORS): SHEET 11 FOR THE "+2" ANCHORS AT THE MIDSPAN OF EACH PANEL.
 JAMB: 5 ANCHORS, SHEET 13 FOR GEN. LAYOUT.
 P-HOOK: 7 ANCHORS, SHEET 13 FOR GENERAL LAYOUT.

3) INSTALLATION DETAILS INTO WOOD CAN BE FOUND ON:
 HEAD & SILL: SHEET 4
 JAMB: SHEET 3
 P-HOOK: SHEET 6

END PANEL ANCHOR EXCEPTION:



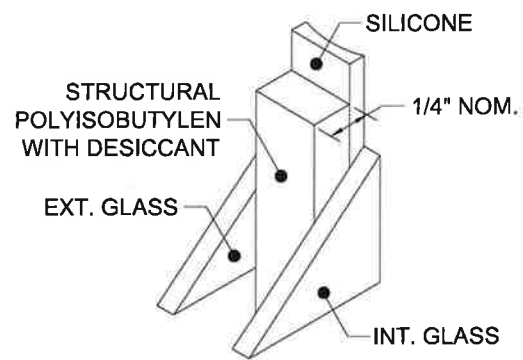
COPYRIGHT © 2020
 PGT INDUSTRIES, INC.,
 LIMITED LICENSE TO MAKE
 COPIES FOR PERMITTING.



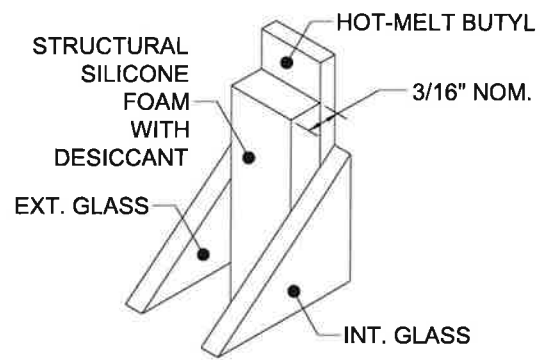
FOR PRODUCT REFERENCES, ALSO SEE:
 A) SHEET 2 FOR ALLOWABLE CONFIGURATIONS AND EXACT LOCATIONS OF CROSS-SECTION DRAWINGS.
 B) SHEET 10 FOR SPECIFIC GLAZING TYPES.
 C) SHEET 17 FOR ALLOWABLE PANEL TYPES AND CALL NAMES.
 D) SHEETS 4 & 18 FOR EXTRUSION CROSS-SECTION DRAWINGS.
 E) SHEET 19 FOR INSTALLATION OF ADDITIONAL ACCESSORIES.
 F) SHEET 21 FOR A BILL OF MATERIALS.

1070 TECHNOLOGY DRIVE
 N. VENICE, FL 34275
 (941)-480-1600
 CERT. OF AUTH. #29296

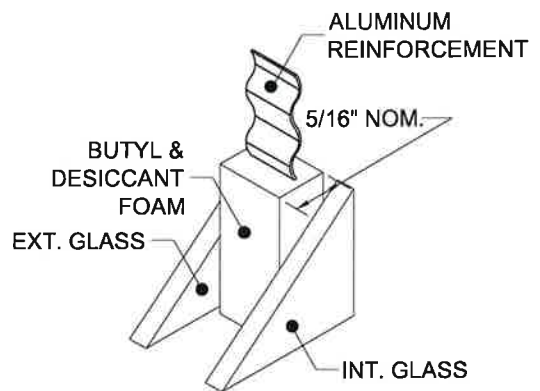
Series	Rev B	Rev A	Title	Date
			VINYL SLIDING GLASS DOOR FPA	3/24/16
			STRAIGHT DOOR EXAMPLE	Drawn By J ROSOWSKI
				Rev A Date
				Rev B Date
SGD-5470	Scale	NTS	Sheet	9 OF 25
DWG No.	FPA-SGD5470.2	Rev. No.		A



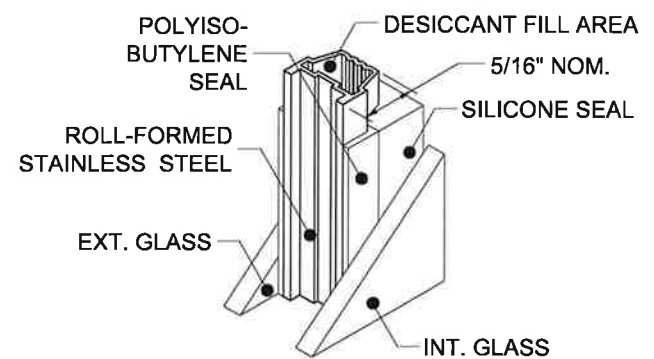
75 **KODISPACE**
4SG TPS



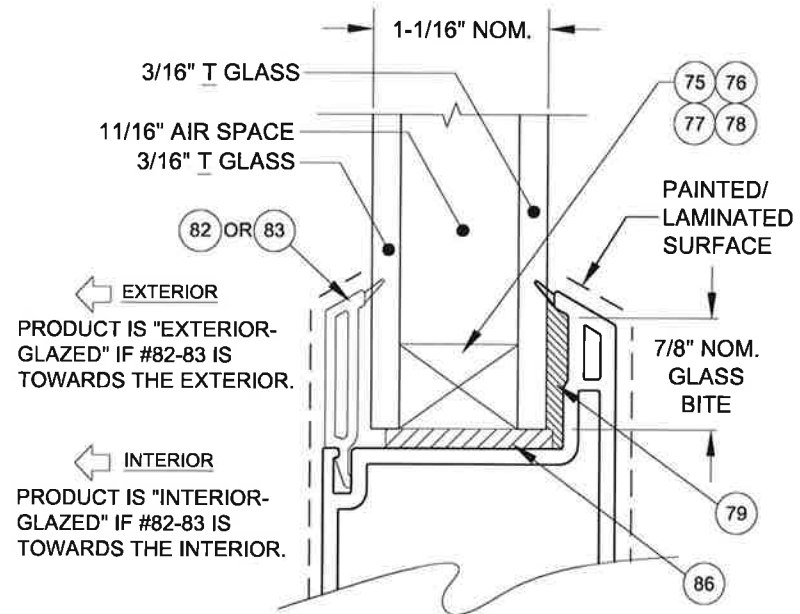
76 **SUPER**
SPACER[®] NXT[™]



77 **DURASEAL[®]**
SPACER



78 **XL EDGE[™]**
SPACER



GLASS DETAIL

NOTES:
1) BACKBEDDING SURFACES SHALL NOT BE PAINTED OR LAMINATED.
2) PRODUCT MAY BE EITHER INTERIOR OR EXTERIOR GLAZED.

"T" = TEMPERED

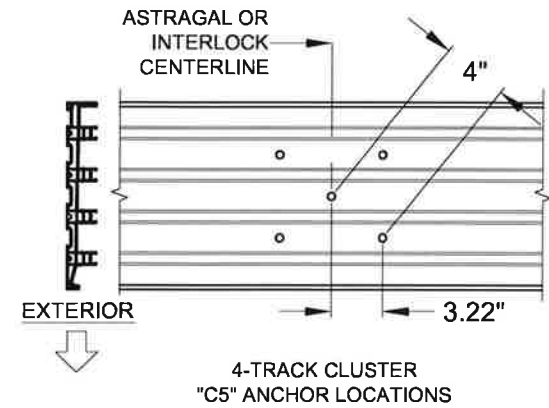
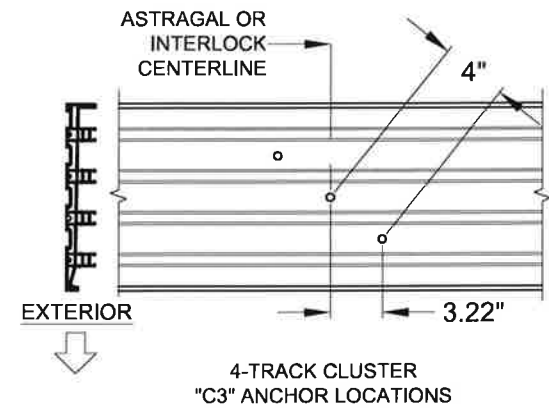
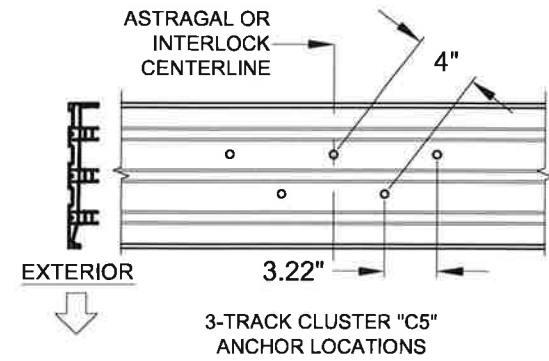
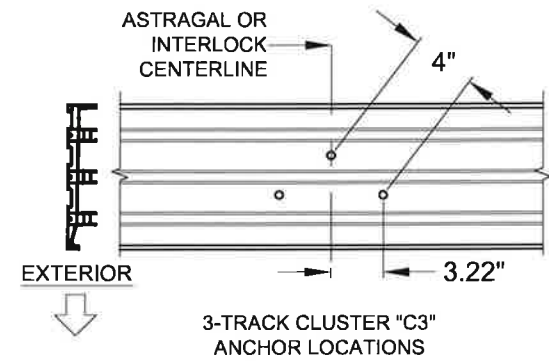
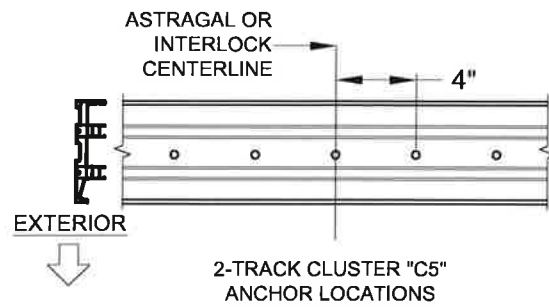
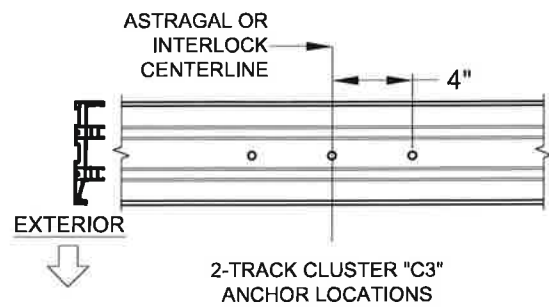
COPYRIGHT © 2020
PGT INDUSTRIES, INC.,
LIMITED LICENSE TO MAKE
COPIES FOR PERMITTING.

1070 TECHNOLOGY DRIVE
N. VENICE, FL 34275
(941)-480-1600
CERT. OF AUTH. #29296

Series	SGD-5470	Scale	NTS	Sheet	10 OF 25	DWG No.	FPA-SGD5470.2	Rev. No.	A
Title	VINYL SLIDING GLASS DOOR FPA		Date	3/24/16					
Desc.	GLAZING DETAILS		Drawn By	J ROSOWSKI					
Rev A		Rev A	Date						
Rev B		Rev B	Date						

ANTHONY LYNN MILLER
LICENSE
No. 58705
9/16/20
STATE OF FLORIDA
PROFESSIONAL ENGINEER
A. LYNN MILLER, P.E.
P.E.# 58705

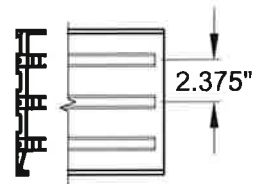
SILL CLUSTER ANCHORS LAYOUT:



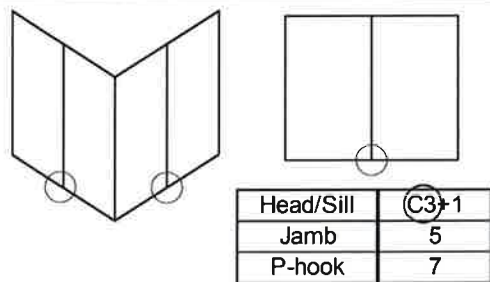
NOTES:

1) ALL DIMENSIONS SHOWN ARE BASED ON MINIMUM ALLOWED.

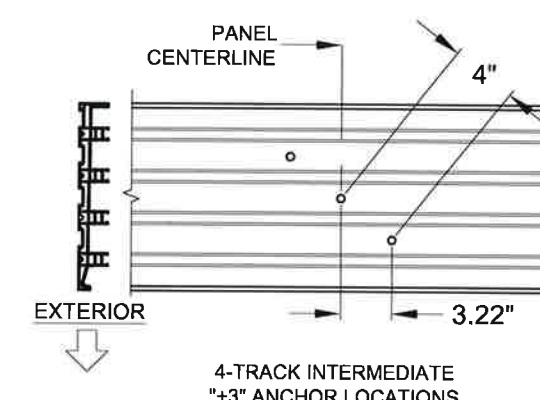
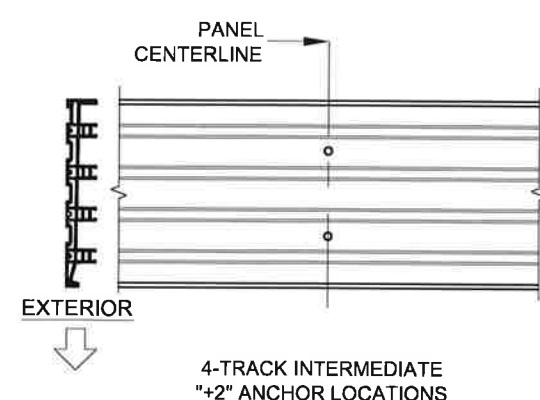
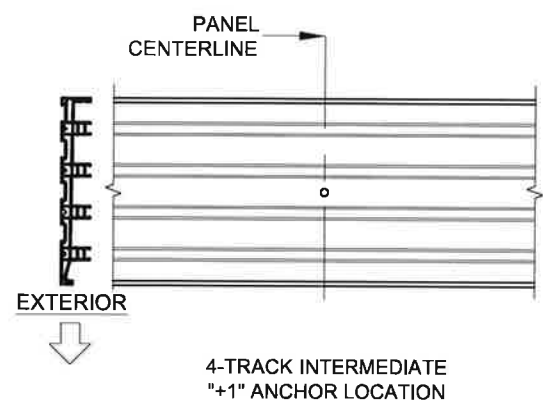
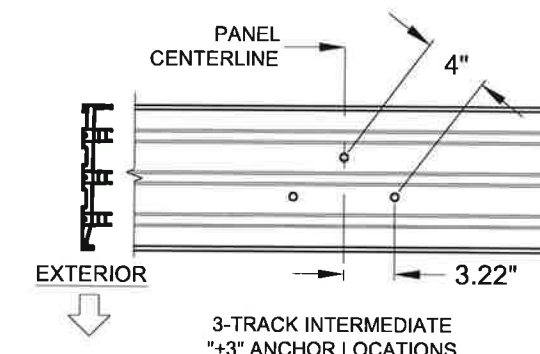
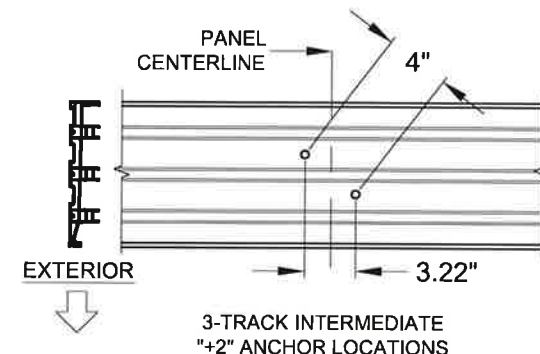
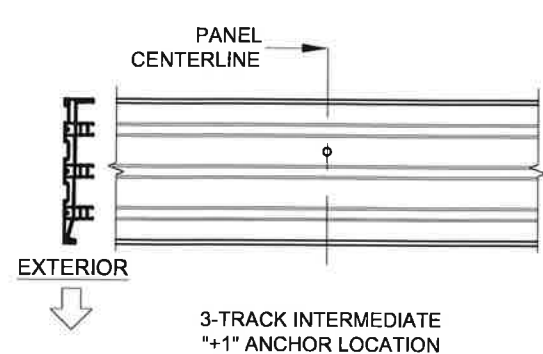
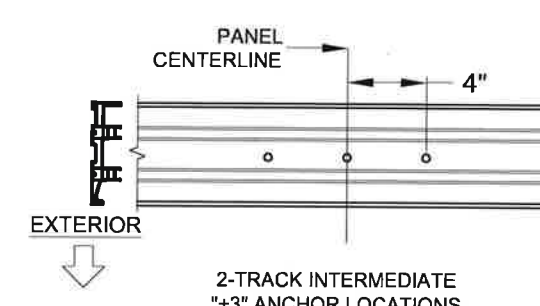
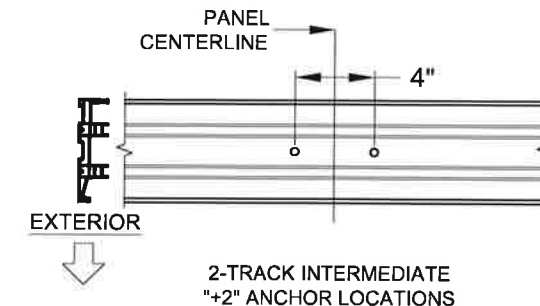
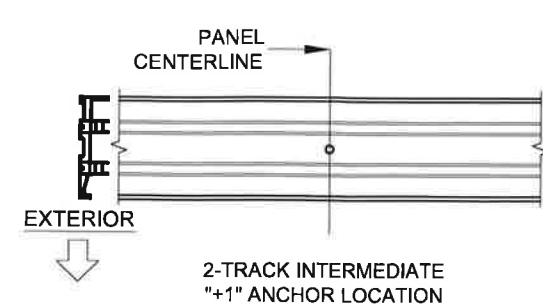
2) TRACK-TO-TRACK DISTANCE IS 2.375" FOR ALL SILLS:



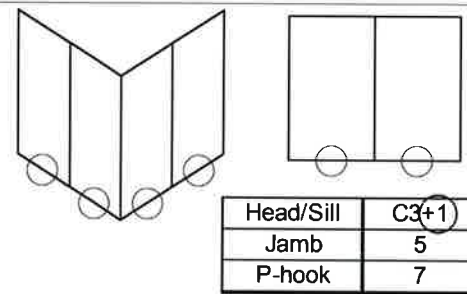
FIGURES PERTAIN TO THE FOLLOWING SILL CLUSTER ANCHOR LOCATIONS:



SILL "+" INTERMEDIATE ANCHORS LAYOUT:



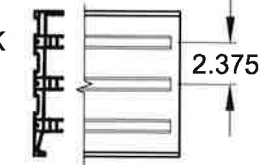
FIGURES PERTAIN TO THE FOLLOWING SILL INTERMEDIATE ANCHOR LOCATIONS:



NOTES:

1) ALL DIMENSIONS SHOWN ARE BASED ON MINIMUM ALLOWED.

2) TRACK-TO-TRACK DISTANCE IS 2.375" FOR ALL SILLS:



Series	Rev 2	Rev 1	Desc.	Title	Date
SGD-5470			VINYL SLIDING GLASS DOOR FPA	ANCHOR LOCATIONS A	3/24/16
Scale	NTS	Sheet	11 OF 25	DWG No.	FPA-SGD5470.2
Rev 2	Rev 1	Date	Date	Drawn By	J ROSOWSKI
				Rev 2	
				Rev 1	
				Date	
				Date	
				Rev. No.	A

PGI

1070 TECHNOLOGY DRIVE
N. VENICE, FL 34275
(941)-480-1600

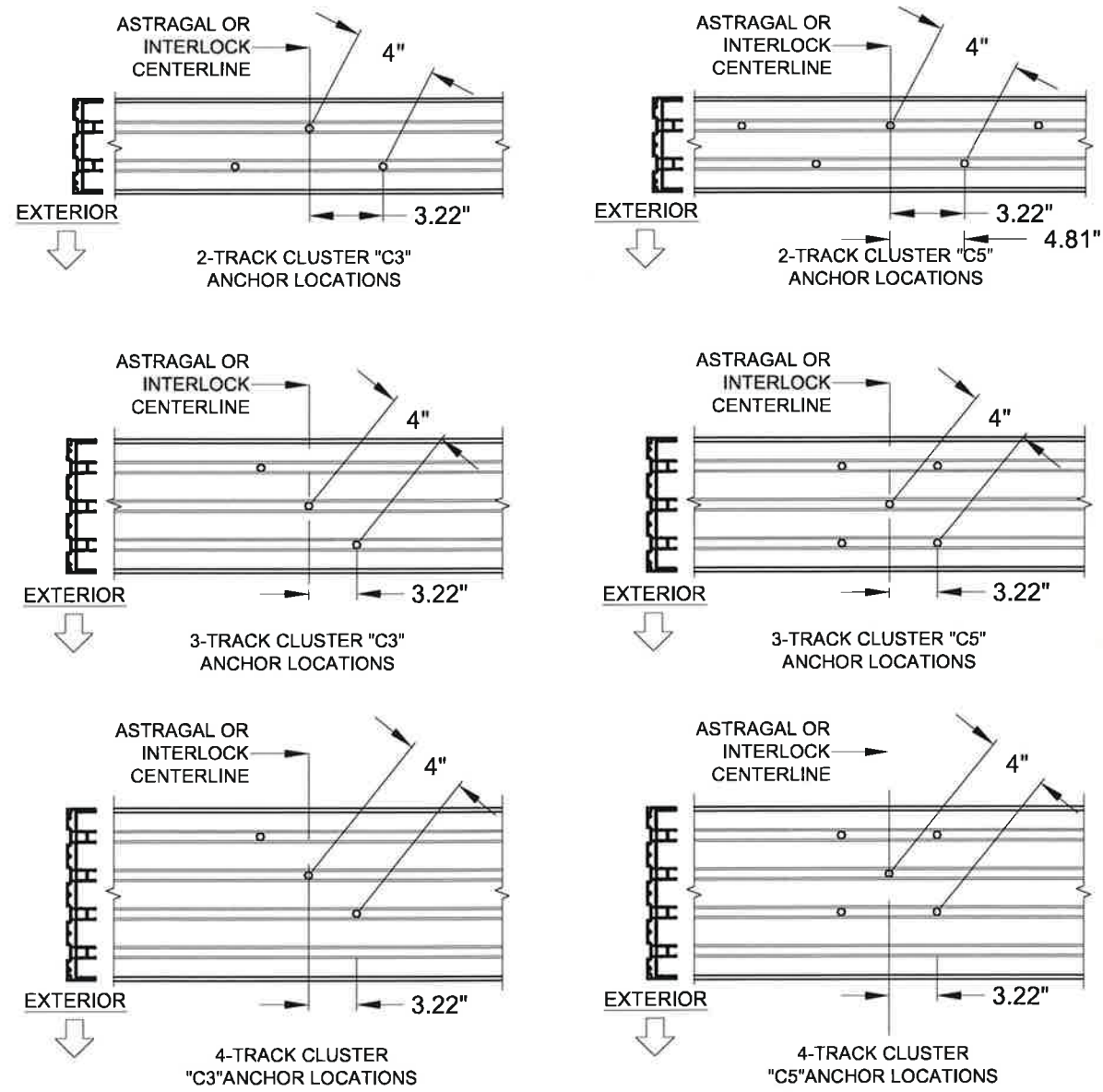
CERT. OF AUTH. #29296

COPYRIGHT © 2020
PGI INDUSTRIES, INC.,
LIMITED LICENSE TO MAKE
COPIES FOR PERMITTING.

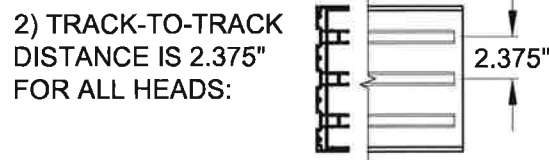
ANTHONY LYNN MILLER
LICENSE
No. 58705
9/16/20
STATE OF
FLORIDA
PROFESSIONAL ENGINEER

A. LYNN MILLER, P.E.
P.E.# 58705

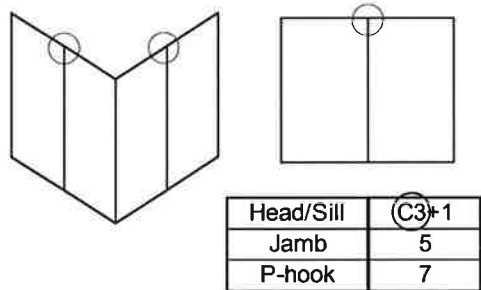
HEAD CLUSTER ANCHORS LAYOUT:



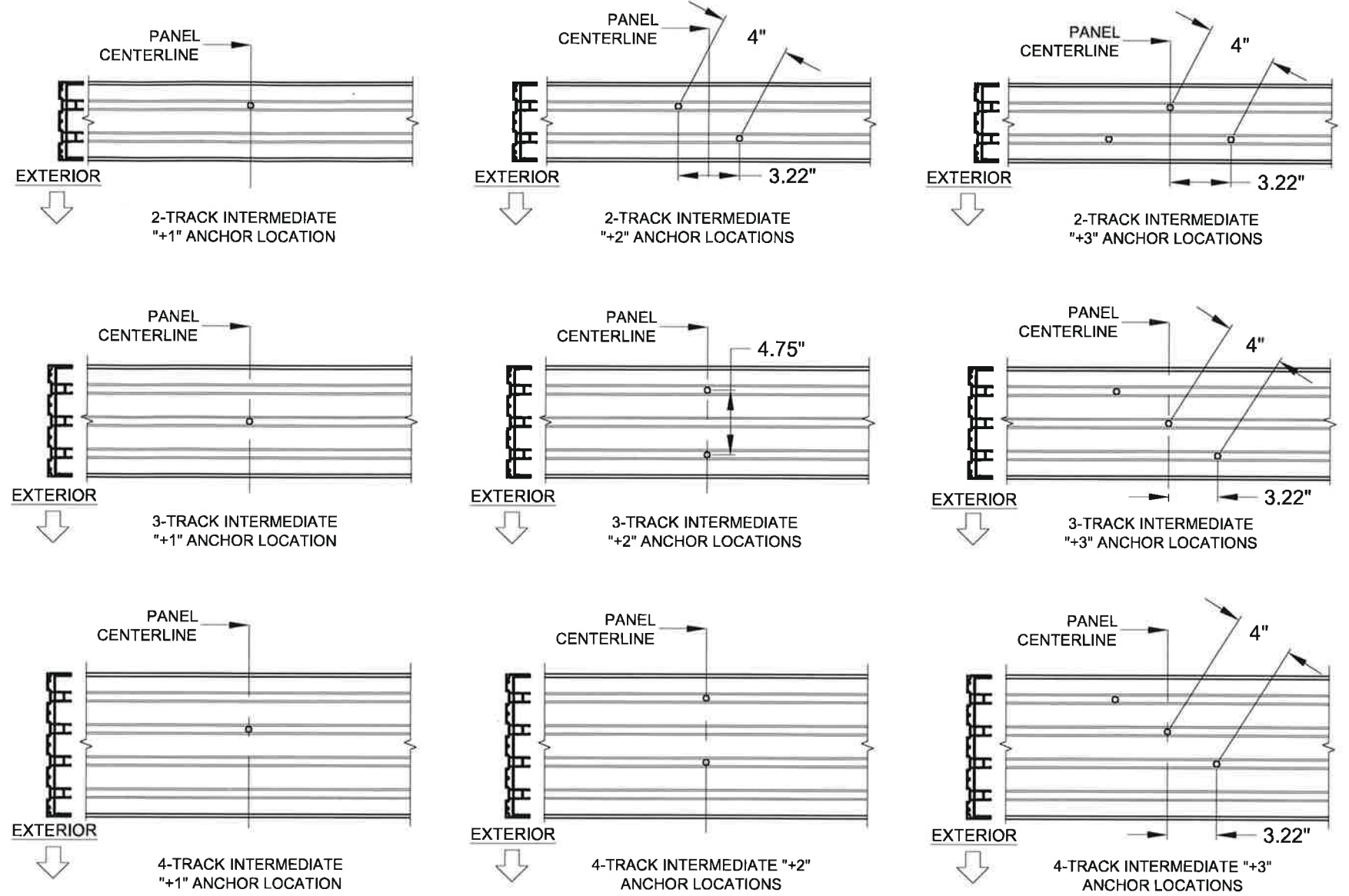
NOTES:
1) ALL DIMENSIONS SHOWN ARE BASED ON MINIMUM ALLOWED.



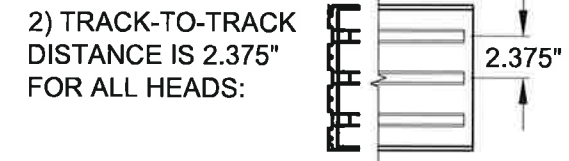
FIGURES PERTAIN TO THE FOLLOWING HEAD CLUSTER ANCHOR LOCATIONS:



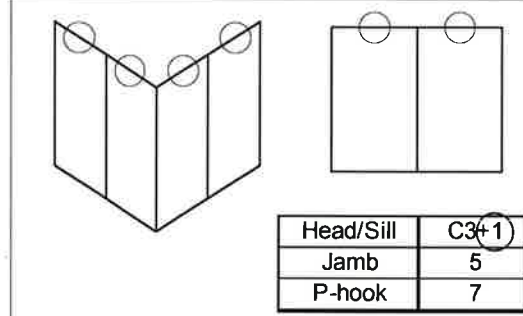
HEAD "+" INTERMEDIATE ANCHORS LAYOUT:



NOTES:
1) ALL DIMENSIONS SHOWN ARE BASED ON MINIMUM ALLOWED.



FIGURES PERTAIN TO THE FOLLOWING HEAD INTERMEDIATE ANCHOR LOCATIONS:



Title		VINYL SLIDING GLASS DOOR FPA		Date	3/24/16
Desc.		ANCHOR LOCATIONS B		Drawn By	J ROSOWSKI
Series	Rev 2	Rev 1	Date	Rev 2	Date
SGD-5470	NTS	12 OF 25	DWG No.	FPA-SGD5470.2	Rev. No.
					A

PGI

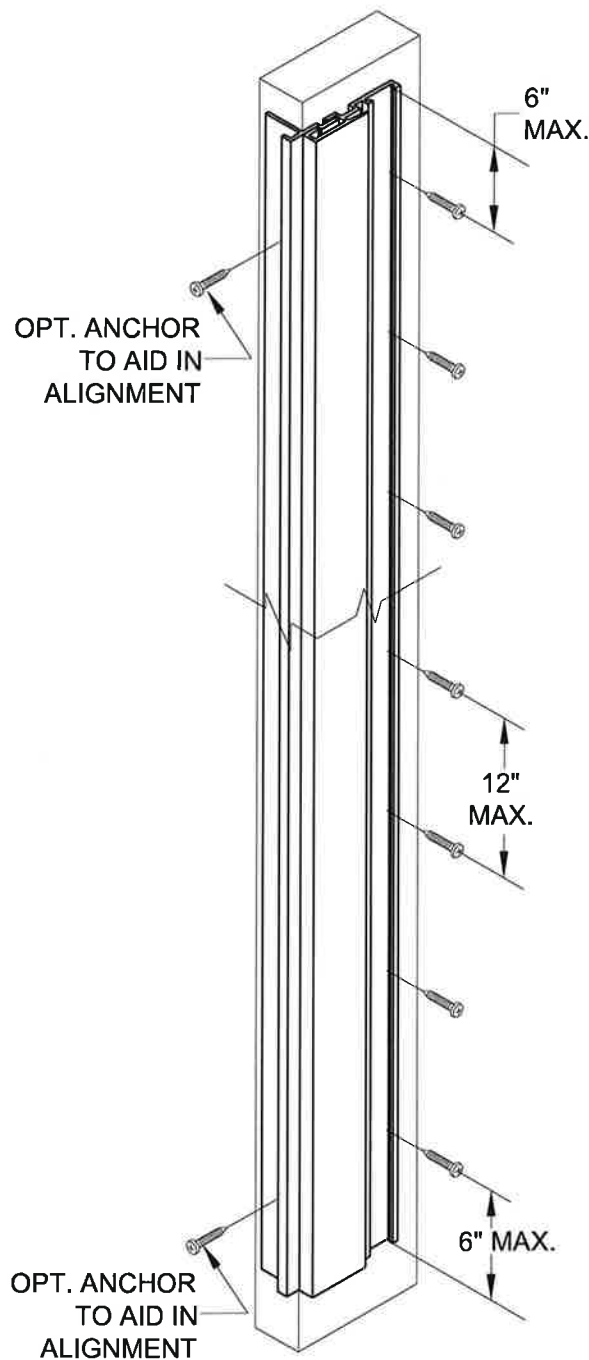
1070 TECHNOLOGY DRIVE
N. VENICE, FL 34275
(941)-480-1600
CERT. OF AUTH. #29296

COPYRIGHT © 2020
PGI INDUSTRIES, INC.,
LIMITED LICENSE TO MAKE
COPIES FOR PERMITTING.

ANTHONY LYNN MILLER
LICENSE
No. 58705
9/16/20
STATE OF
FLORIDA
PROFESSIONAL ENGINEER

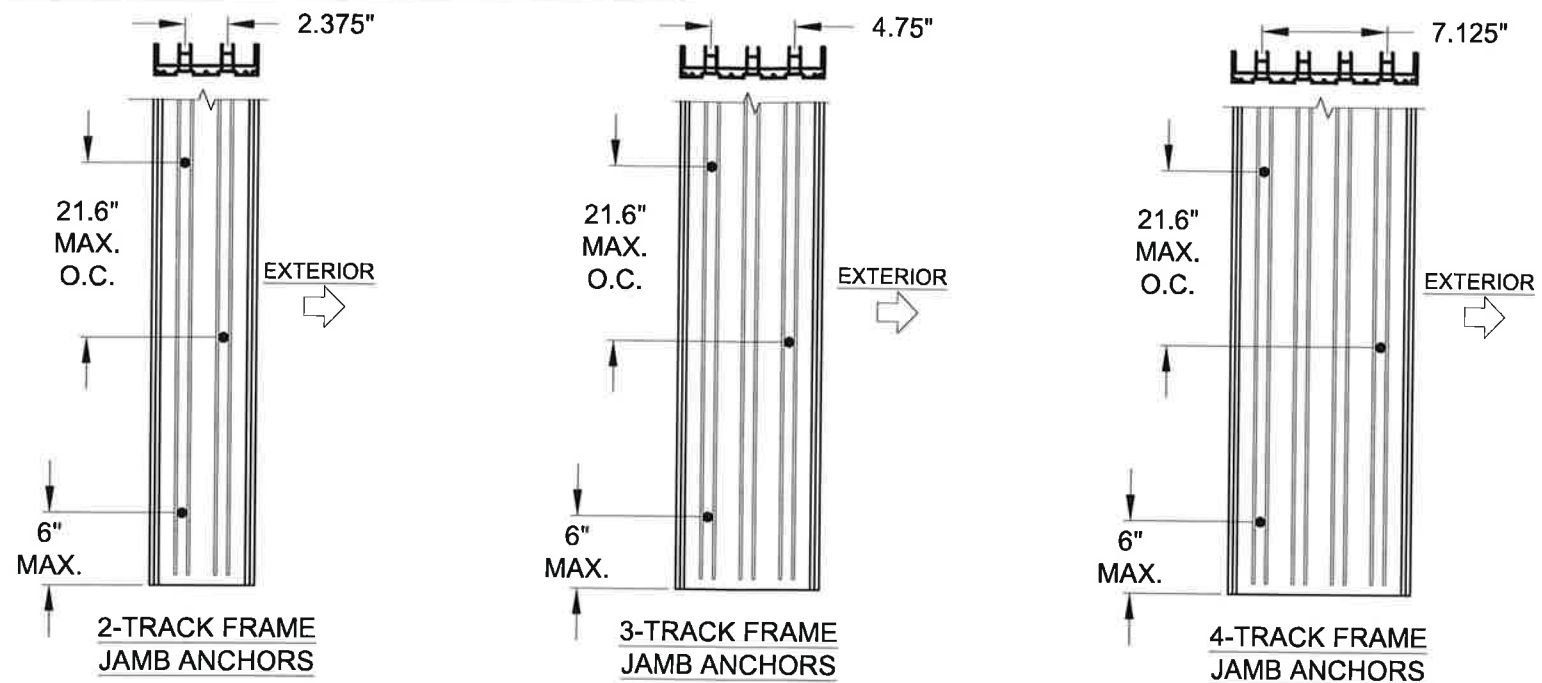
A. LYNN MILLER, P.E.
P.E.# 58705

P-HOOK ANCHORS LAYOUT:



NOTES:
1) SEE TABLES 1 & 2 FOR EXACT QUANTITY OF ANCHORS REQUIRED IN THE P-HOOK.

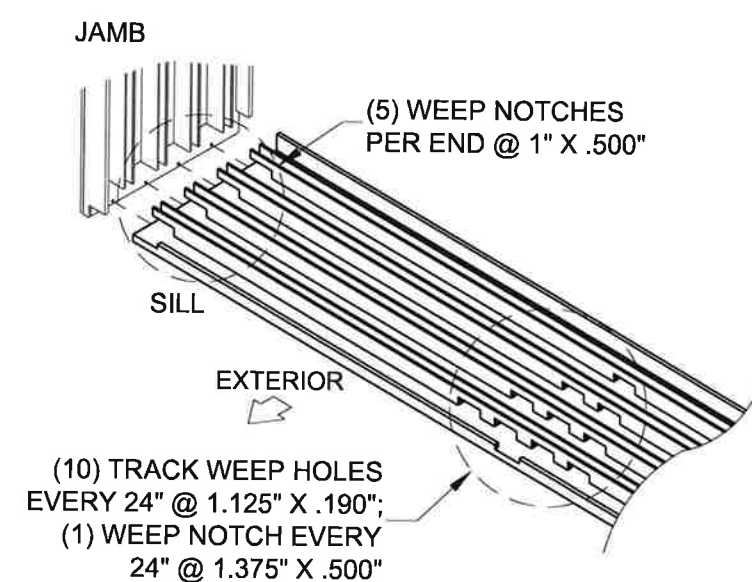
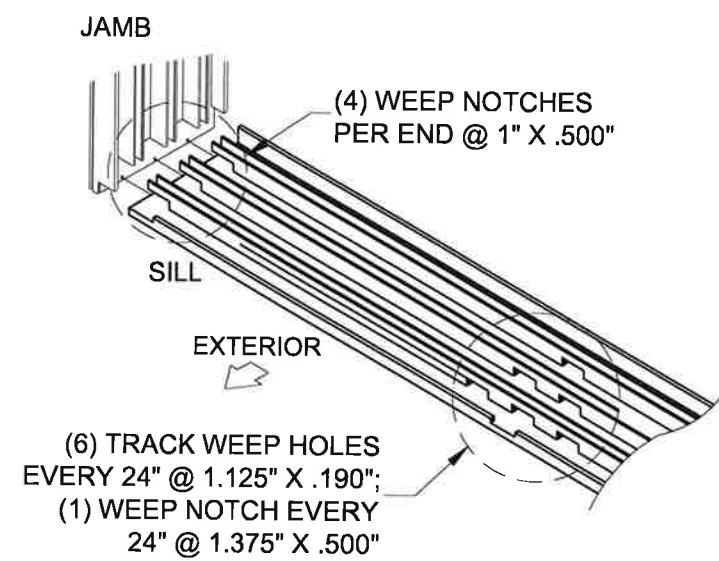
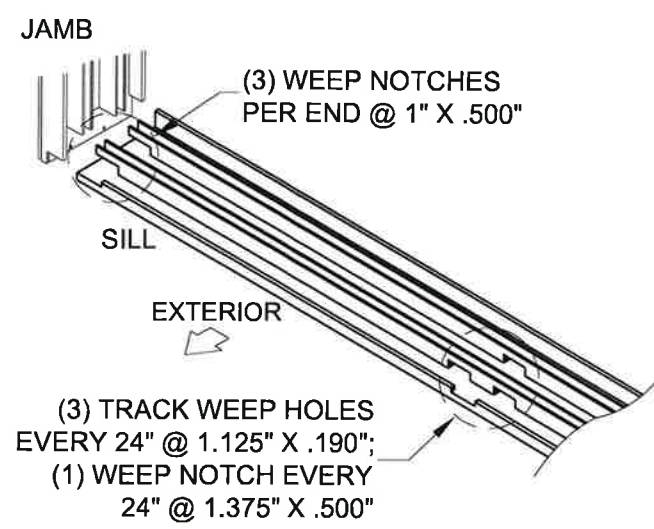
JAMB ANCHORS LAYOUT, (PARTIAL VIEW):



FIGURES PERTAIN TO THE FOLLOWING JAMB ANCHOR LOCATIONS:

Head/Sill	C3+1
Jamb	(5)
P-hook	7

NOTES:
1) STANDARD ANCHOR LOCATIONS SHOWN. FOR 3 AND 4-TRACK JAMBS, ANCHORS MAY BE LOCATED IN ADJACENT TRACKS (SIMILAR TO THE 2-TRACK JAMB) AS REQUIRED TO MEET MIN. EDGE DISTANCE CONSTRAINTS.



SILL WEEPHOLE LAYOUT (2, 3 & 4 TRACKS)

FIGURES PERTAIN TO THE FOLLOWING POCKET JAMB (P-HOOK) ANCHOR LOCATIONS:

Head/Sill	C3+1
Jamb	5
P-hook	(7)

Series	SGD-5470	Scale	NTS	Sheet	13 OF 25	DWG No.	FPA-SGD5470.2	Rev. No.	A
Title	VINYL SLIDING GLASS DOOR FPA		Date	3/24/16					
Desc.	ANCHOR LOCATIONS C		Drawn By	J ROSOWSKI					
Rev 1	Date			Rev 1	Date				
Rev 2	Date			Rev 2	Date				

PGT

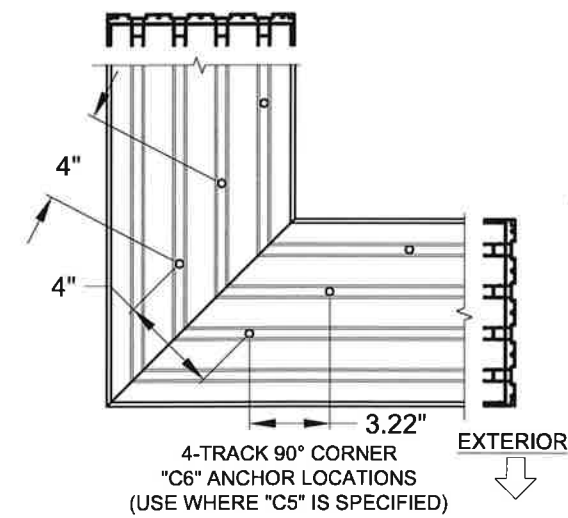
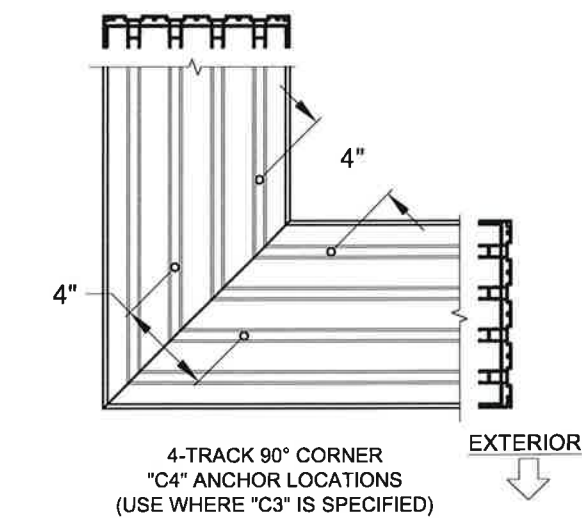
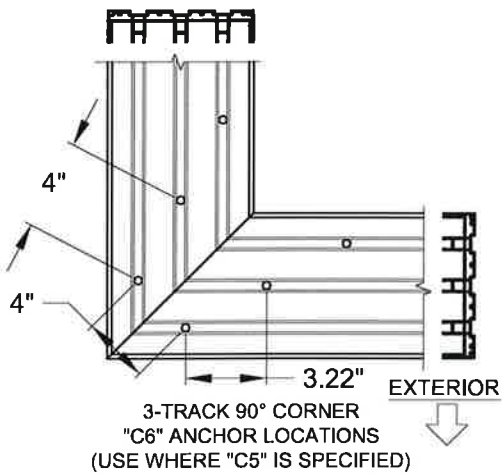
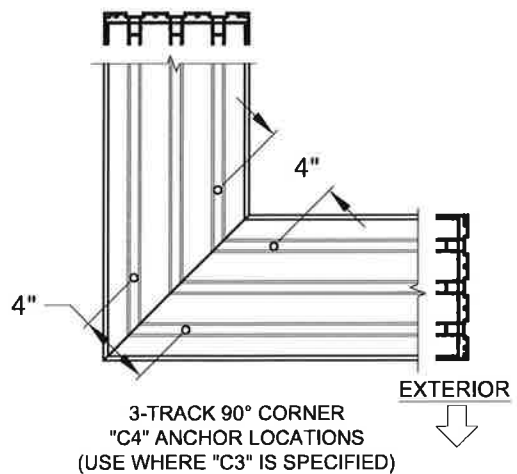
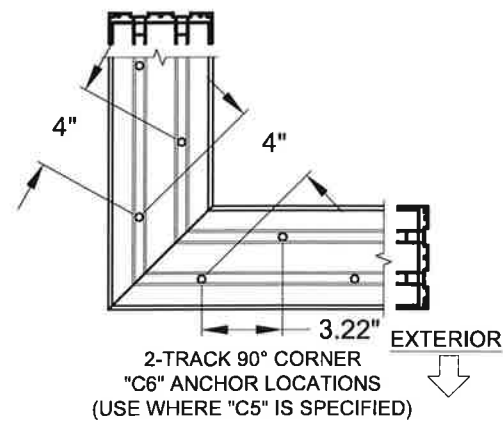
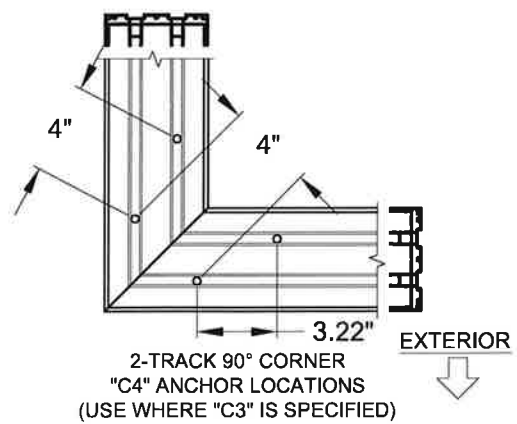
1070 TECHNOLOGY DRIVE
N. VENICE, FL 34275
(941)-480-1600
CERT. OF AUTH. #29296

COPYRIGHT © 2020
PGT INDUSTRIES, INC.,
LIMITED LICENSE TO MAKE
COPIES FOR PERMITTING.

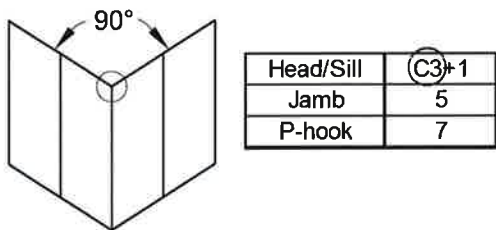
ANTHONY LYNN MILLER
LICENSE
No. 58705
9/16/20
STATE OF
FLORIDA
PROFESSIONAL ENGINEER

A. LYNN MILLER, P.E.
P.E.# 58705

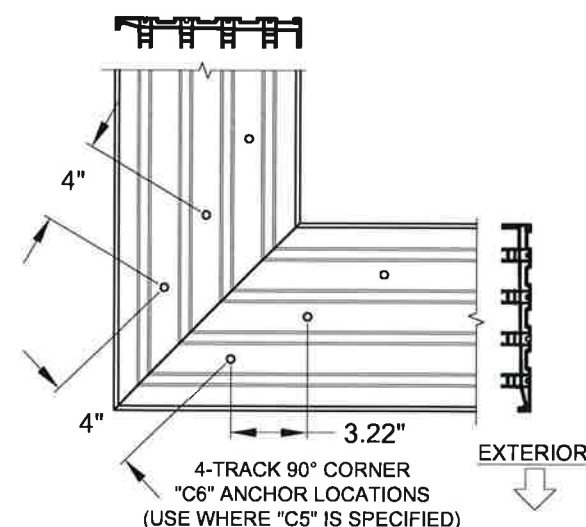
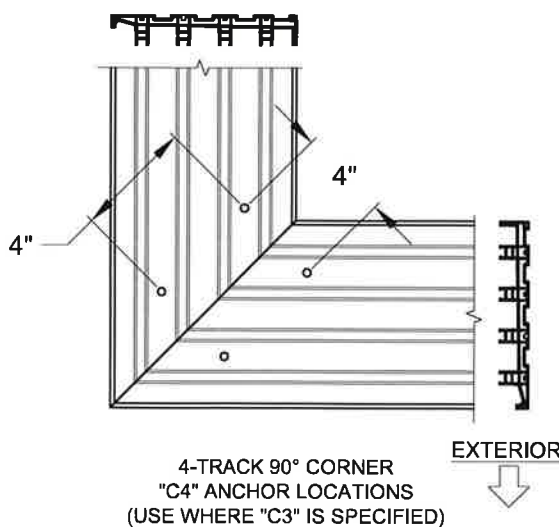
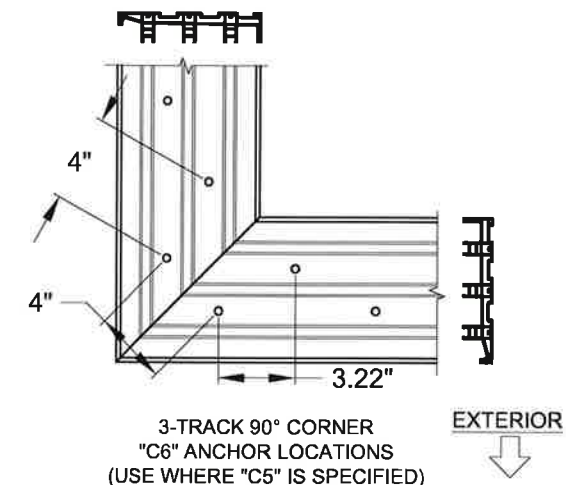
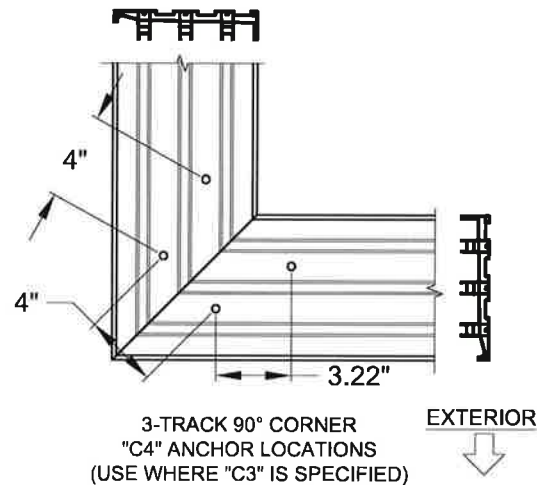
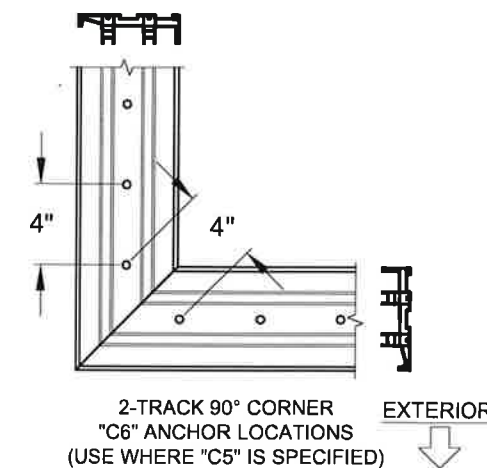
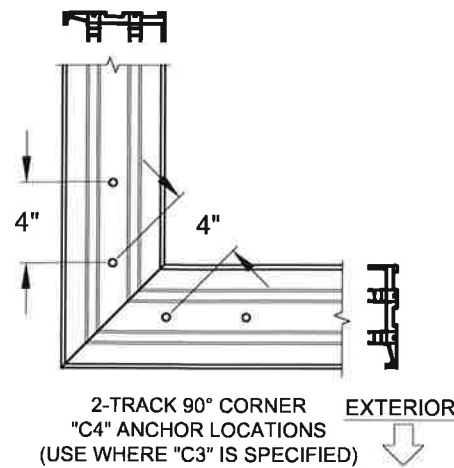
HEAD 90° CORNER CLUSTER ANCHORS LAYOUT:



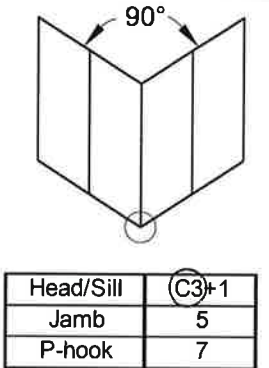
FIGURES PERTAIN TO THE FOLLOWING 90° CORNER HEAD ANCHOR LOCATIONS:



SILL 90° CORNER CLUSTER ANCHORS LAYOUT:

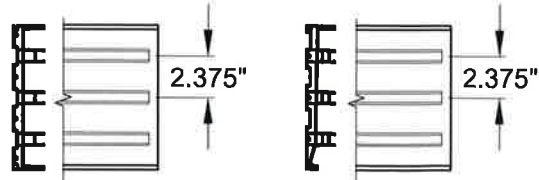


FIGURES PERTAIN TO THE FOLLOWING 90° CORNER SILL ANCHOR LOCATIONS:



NOTES:

- 1) ALL DIMENSIONS SHOWN ARE BASED ON MINIMUM ALLOWED.
- 2) DETAILS DEPICT ANCHOR QUANTITY AND SPACING, AND WOULD BE SIMILAR FOR OUTSIDE (SHOWN) AND INSIDE CORNER CONFIGURATIONS.
- 3) TRACK-TO-TRACK DISTANCE IS 2.375" FOR ALL HEADS AND SILLS:



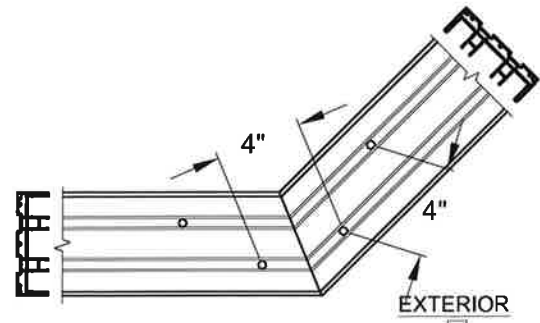
1070 TECHNOLOGY DRIVE
N. VENICE, FL 34275
(941)-480-1600
CERT. OF AUTH. #29296

Series	SGD-5470	Scale	NTS	Sheet	14 OF 25	DWG No.	FPA-SGD5470.2	Rev. No.	A
Title	VINYL SLIDING GLASS DOOR FPA		Date	3/24/16					
Desc.	ANCHOR LOCATIONS D		Drawn By	J ROSOWSKI					
Rev 1	Date	Rev 2	Date						

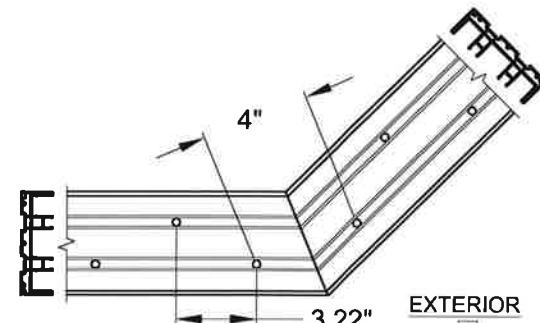
COPYRIGHT © 2020
PGT INDUSTRIES, INC.,
LIMITED LICENSE TO MAKE
COPIES FOR PERMITTING.

ANTHONY LYNN MILLER
LICENSE
No. 58705
9/16/20
STATE OF FLORIDA
PROFESSIONAL ENGINEER
A. LYNN MILLER, P.E.
P.E.# 58705

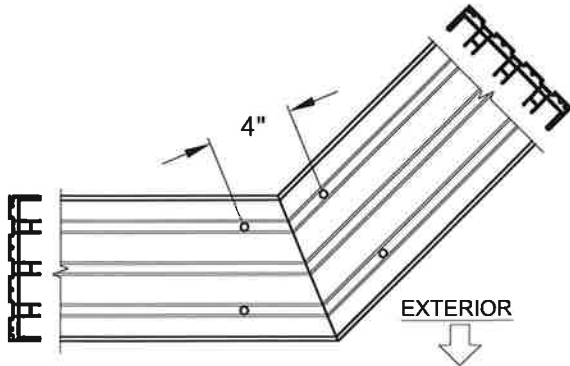
HEAD 135° CORNER CLUSTER ANCHORS LAYOUT:



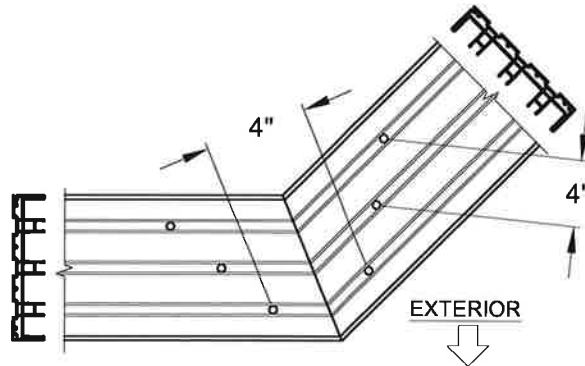
2-TRACK 135° CORNER
"C4" ANCHOR LOCATIONS
(USE WHERE "C3" IS SPECIFIED)



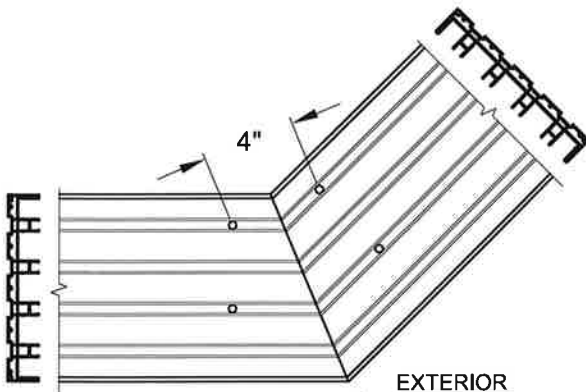
2-TRACK 135° CORNER
"C6" ANCHOR LOCATIONS
(USE WHERE "C5" IS SPECIFIED)



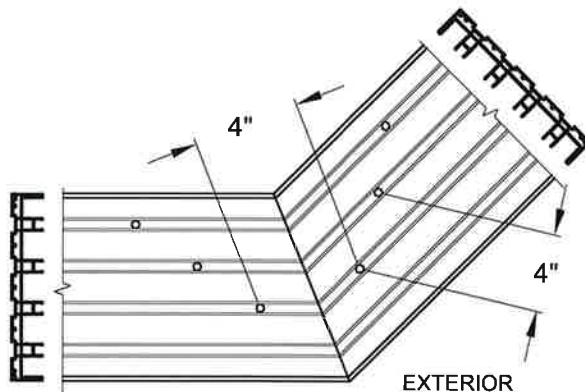
3-TRACK 135° CORNER
"C4" ANCHOR LOCATIONS
(USE WHERE "C3" IS SPECIFIED)



3-TRACK 135° CORNER
"C6" ANCHOR LOCATIONS
(USE WHERE "C5" IS SPECIFIED)

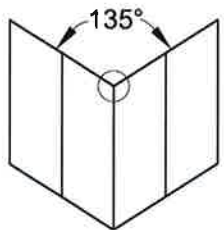


4-TRACK 135° CORNER
"C4" ANCHOR LOCATIONS
(USE WHERE "C3" IS SPECIFIED)



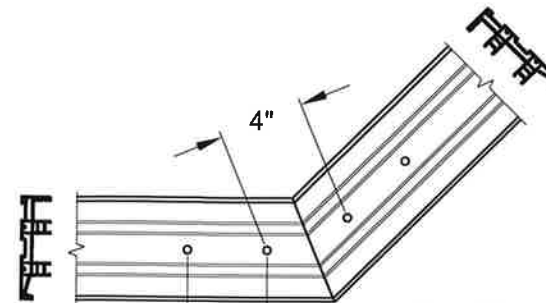
4-TRACK 135° CORNER
"C6" ANCHOR LOCATIONS
(USE WHERE "C5" IS SPECIFIED)

FIGURES PERTAIN TO THE FOLLOWING 135° CORNER HEAD ANCHOR LOCATIONS:

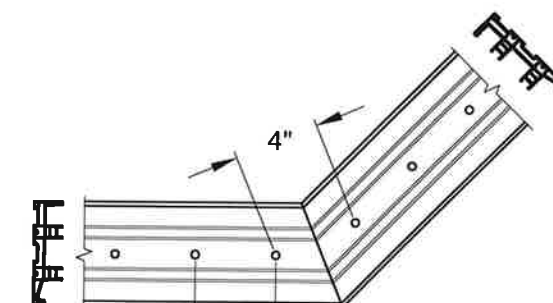


Head/Sill	(C3)+1
Jamb	5
P-hook	7

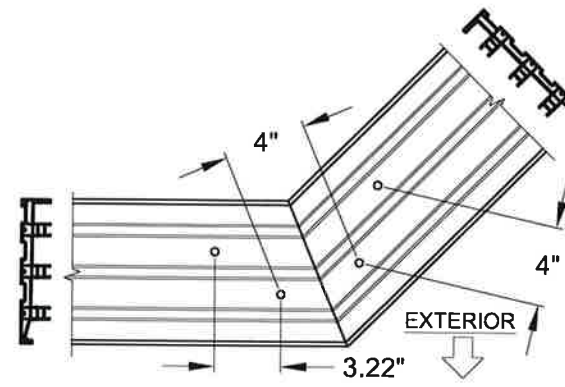
SILL 135° CORNER CLUSTER ANCHORS LAYOUT:



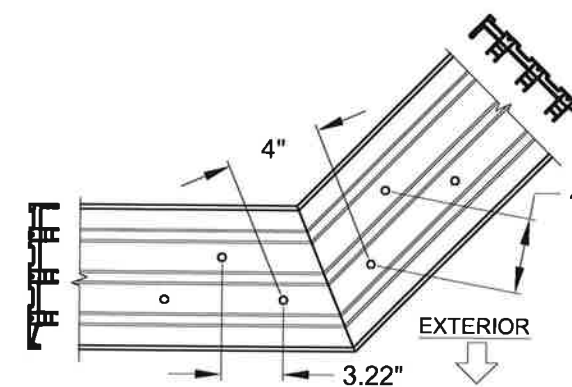
2-TRACK 135° CORNER
"C4" ANCHOR LOCATIONS
(USE WHERE "C3" IS SPECIFIED)



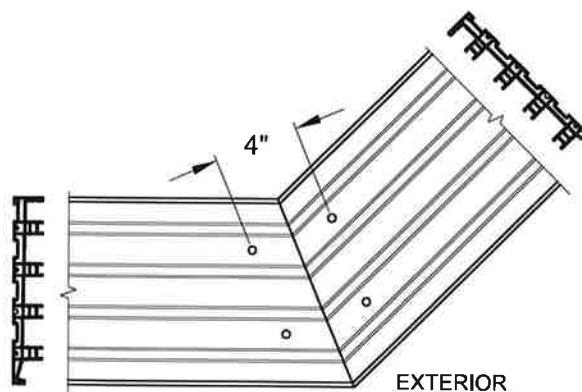
2-TRACK 135° CORNER
"C6" ANCHOR LOCATIONS
(USE WHERE "C5" IS SPECIFIED)



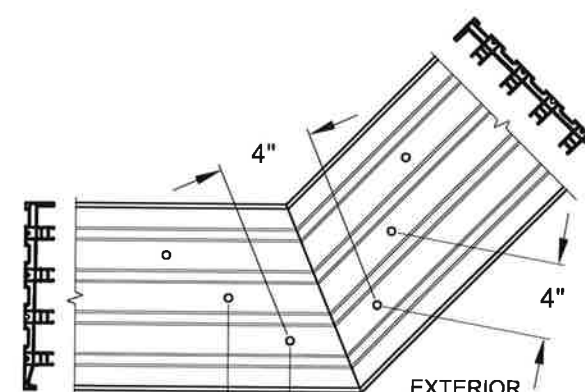
3-TRACK 135° CORNER
"C4" ANCHOR LOCATIONS
(USE WHERE "C3" IS SPECIFIED)



3-TRACK 135° CORNER
"C6" ANCHOR LOCATIONS
(USE WHERE "C5" IS SPECIFIED)



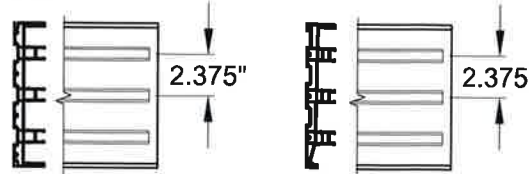
4-TRACK 135° CORNER
"C4" ANCHOR LOCATIONS
(USE WHERE "C3" IS SPECIFIED)



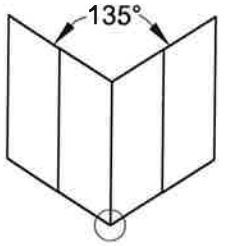
4-TRACK 135° CORNER
"C6" ANCHOR LOCATIONS
(USE WHERE "C5" IS SPECIFIED)

NOTES:

- 1) ALL DIMENSIONS SHOWN ARE BASED ON MINIMUM ALLOWED.
- 2) DETAILS DEPICT ANCHOR QUANTITY AND SPACING, AND WOULD BE SIMILAR FOR OUTSIDE (SHOWN) AND INSIDE CORNER CONFIGURATIONS.
- 3) TRACK-TO-TRACK DISTANCE IS 2.375" FOR ALL HEADS AND SILLS:



FIGURES PERTAIN TO THE FOLLOWING 135° CORNER SILL ANCHOR LOCATIONS:



Head/Sill	(C3)+1
Jamb	5
P-hook	7

COPYRIGHT © 2020
PGT INDUSTRIES, INC.,
LIMITED LICENSE TO MAKE
COPIES FOR PERMITTING.

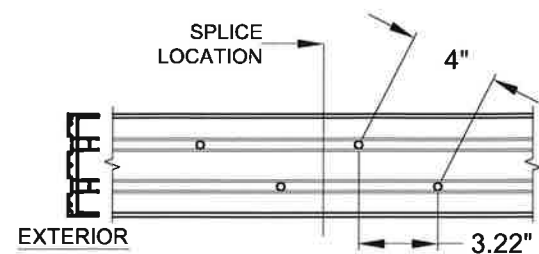


A. LYNN MILLER, P.E.
P.E.# 58705

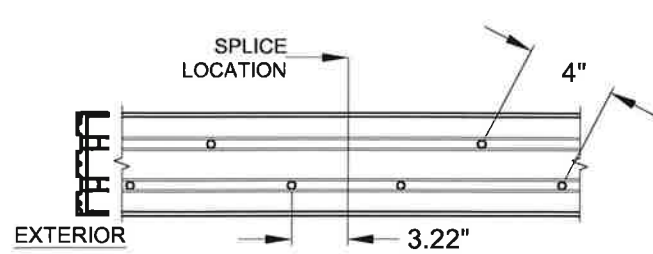
PGT
1070 TECHNOLOGY DRIVE
N. VENICE, FL 34275
(941)-480-1600
CERT. OF AUTH. #29296

Series	Rev 1	Rev 2	Scale	NTS	Sheet	15 OF 25	DWG No.	FPA-SGD5470.2	Rev. No.	A
Title		VINYL SLIDING GLASS DOOR FPA		Date	3/24/16		Drawn By		J ROSOWSKI	
Desc.		ANCHOR LOCATIONS E		Rev 1 Date			Rev 2 Date			

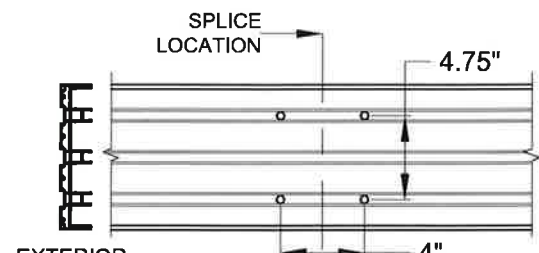
HEAD SPLICE ANCHORS LAYOUT @ INTERLOCK OR ASTRAGAL:



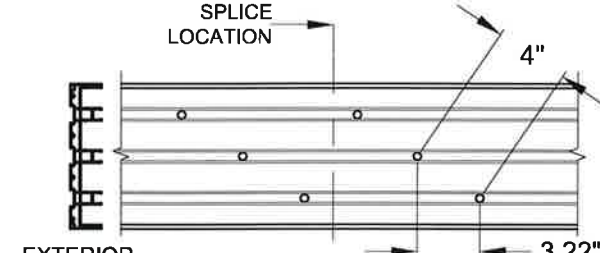
2-TRACK SPLICE
"C4" ANCHOR LOCATIONS
(USE WHERE "C3" IS SPECIFIED)



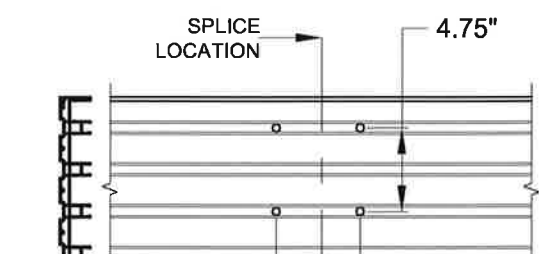
2-TRACK SPLICE
"C6" ANCHOR LOCATIONS
(USE WHERE "C5" IS SPECIFIED)



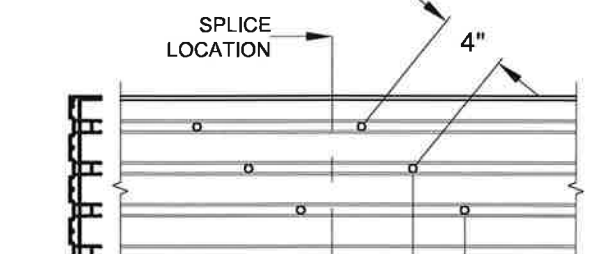
3-TRACK SPLICE
"C4" ANCHOR LOCATIONS
(USE WHERE "C3" IS SPECIFIED)



3-TRACK SPLICE
"C6" ANCHOR LOCATIONS
(USE WHERE "C5" IS SPECIFIED)

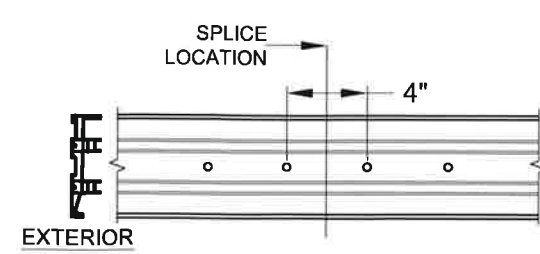


4-TRACK SPLICE
"C4" ANCHOR LOCATIONS
(USE WHERE "C3" IS SPECIFIED)

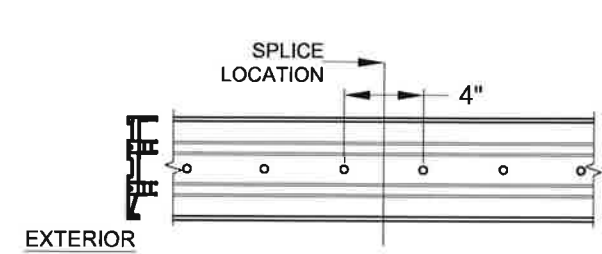


4-TRACK SPLICE
"C6" ANCHOR LOCATIONS
(USE WHERE "C5" IS SPECIFIED)

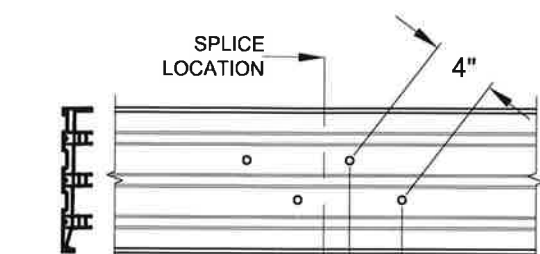
SILL SPLICE ANCHORS LAYOUT @ INTERLOCK OR ASTRAGAL:



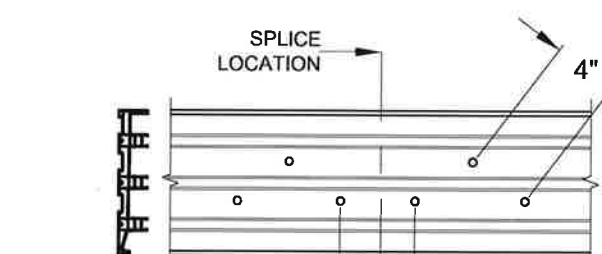
2-TRACK SPLICE
"C4" ANCHOR LOCATIONS
(USE WHERE "C3" IS SPECIFIED)



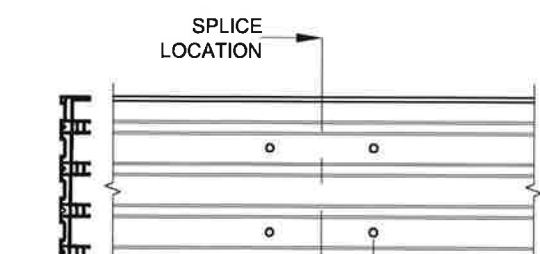
2-TRACK SPLICE
"C6" ANCHOR LOCATIONS
(USE WHERE "C5" IS SPECIFIED)



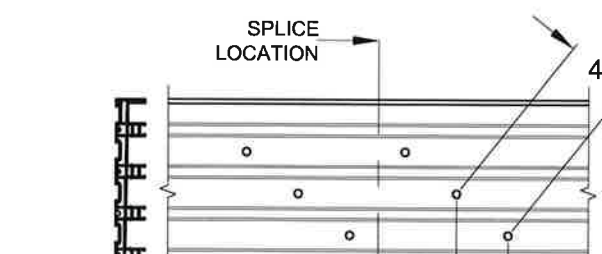
3-TRACK SPLICE
"C4" ANCHOR LOCATIONS
(USE WHERE "C3" IS SPECIFIED)



3-TRACK SPLICE
"C6" ANCHOR LOCATIONS
(USE WHERE "C5" IS SPECIFIED)

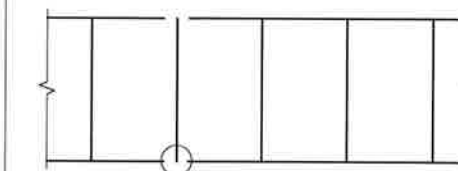


4-TRACK SPLICE
"C4" ANCHOR LOCATIONS
(USE WHERE "C3" IS SPECIFIED)



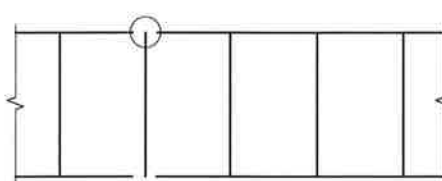
4-TRACK SPLICE
"C6" ANCHOR LOCATIONS
(USE WHERE "C5" IS SPECIFIED)

FIGURES PERTAIN TO THE FOLLOWING SPLICED SILL ANCHOR LOCATIONS:



Head/Sill	(C3)+1
Jamb	5
P-hook	7

FIGURES PERTAIN TO THE FOLLOWING SPLICED HEAD ANCHOR LOCATIONS:

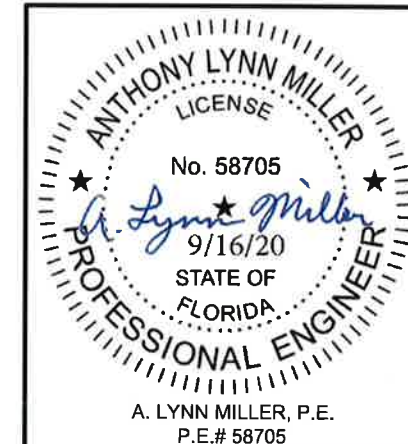


Head/Sill	(C3)+1
Jamb	5
P-hook	7

NOTES:

- 1) ALL DIMENSIONS SHOWN ARE BASED ON MINIMUM ALLOWED.
- 2) ABOVE FIGURES ARE FOR SPLICES OCCURRING AT THE ASTRAGAL OR INTERLOCK. FOR SPLICES OCCURRING INSIDE OF A POCKET, SEE THE EXAMPLE ON SHEET 9.
- 3) TRACK-TO-TRACK DISTANCE IS 2.375" FOR ALL HEADS AND SILLS:
- 4) POCKET WALL OR CAVITY IS NOT PART OF THIS APPROVAL AND IS TO BE DESIGNED BY OTHERS AND REVIEWED BY THE AUTHORITY HAVING JURISDICTION.

COPYRIGHT © 2020
PGT INDUSTRIES, INC.,
LIMITED LICENSE TO MAKE
COPIES FOR PERMITTING.

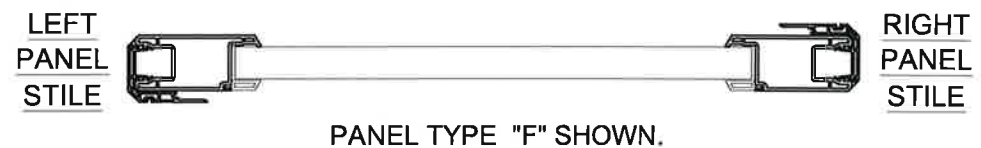


1070 TECHNOLOGY DRIVE
N. VENICE, FL 34275
(941)-480-1600
CERT. OF AUTH. #29296

Series	SGD-5470	Scale	NTS	Sheet	16 OF 25	DWG No.	FPA-SGD5470.2	Rev. No.	A
Title	VINYL SLIDING GLASS DOOR FPA		Date	3/24/16					
Desc.	ANCHOR LOCATIONS F		Drawn By	J ROSOWSKI					
Rev 1	Date	Rev 2	Date						

PANEL TYPES INTERIOR OR EXTERIOR GLAZED		PANEL'S RIGHT STILE TYPE										
		SINGLE INTERLOCK OUT	SINGLE INTERLOCK IN	FIXED STILE	LOCKSTILE W/ HANDLE	ASTRAGAL BOX OUT	ASTRAGAL BOX IN	OUTSIDE 90° ASTRAGAL RECEIVER	INSIDE 90° ASTRAGAL RECEIVER	OUTSIDE 135° ASTRAGAL RECEIVER	INSIDE 135° ASTRAGAL RECEIVER	
PANEL'S LEFT STILE TYPE	SINGLE INTERLOCK OUT		E	F	PP	K	L (BOX OUT)	L (BOX IN)	TC	TA	TV	TW
	SINGLE INTERLOCK IN		B	H	P	A	C (BOX OUT)	C (BOX IN)	SC	SA	SV	SW
	FIXED STILE		RR	R			S (BOX OUT)	S (BOX IN)	FC	FD	FV	FW
	LOCKSTILE W/ HANDLE		D	M			J (BOX OUT)	J (BOX IN)				
	ASTRAGAL BOX OUT		LR (BOX OUT)		T (BOX OUT)	U (BOX OUT)						
	ASTRAGAL BOX IN			N (BOX IN)	T (BOX IN)	U (BOX IN)						
	OUT. 90° ASTRAGAL RECEIVER		CT	CS	CF							
	IN. 90° ASTRAGAL RECEIVER		AT	AS	DF							
	OUT. 135° ASTRAGAL RECEIVER		VT	VS	VF							
	IN. 135° ASTRAGAL RECEIVER		WT	WS	WF							

SCREEN PANEL TYPES			
C	DOUBLE INTERLOCK		ASTRAGAL
M	LOCKSTILE		DOUBLE INTERLOCK
J	LOCKSTILE		ASTRAGAL
SD	SINGLE INTERLOCK		DOUBLE INTERLOCK
A	DOUBLE INTERLOCK		LOCKSTILE
U	ASTRAGAL		LOCKSTILE
DS	DOUBLE INTERLOCK		SINGLE INTERLOCK



PANEL NOTES:

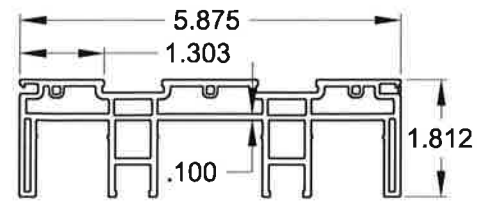
- 1) SEE DP/ANCHOR TABLES 1 & 2, SHEETS 7-8 FOR PANEL SIZES & DESIGN PRESSURE.
- 2) PANEL TYPES NOT SHOWN ARE NOT REQUIRED FOR ANY CONFIGURATIONS AND ARE NOT AVAILABLE.
- 3) MAXIMUM NOMINAL PANEL WIDTH FOR ALL PANEL CONFIGURATIONS IS 60".
- 4) PANEL TYPE MAY BE EITHER EXTERIOR (STANDARD) OR INTERIOR GLAZED, BOTH TYPES QUALIFIED BY THIS APPROVAL, SEE DETAILS SHEET 10.

1070 TECHNOLOGY DRIVE
N. VENICE, FL 34275
(941)-480-1600
CERT. OF AUTH. #29296

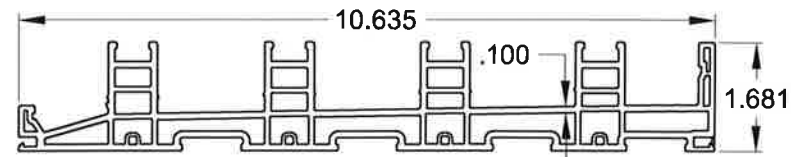
Series	Rev B	Rev A	Title	VINYL SLIDING GLASS DOOR FPA	Date	3/24/16
Desc.	PANEL TYPES		Drawn By	J ROSOWSKI		
Rev A	Date	Rev B	Date			
SGD-5470	Scale	NTS	Sheet	17 OF 25	DWG No.	FPA-SGD5470.2
				Rev. No.	A	

COPYRIGHT © 2020
PGT INDUSTRIES, INC.,
LIMITED LICENSE TO MAKE
COPIES FOR PERMITTING.

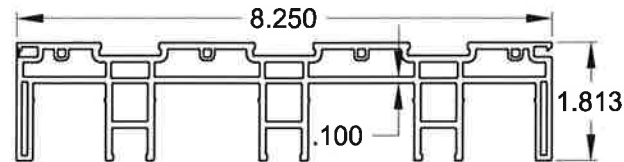
ANTHONY LYNN MILLER
LICENSE
No. 58705
9/16/20
STATE OF FLORIDA
PROFESSIONAL ENGINEER
A. LYNN MILLER, P.E.
P.E.# 58705



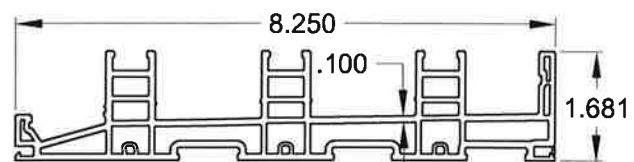
① 2 TRACK HEAD/JAMB



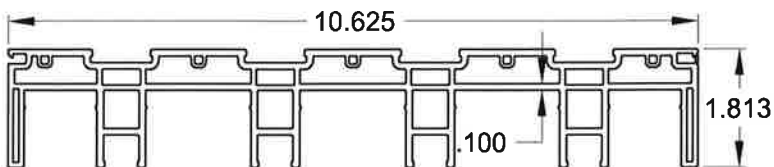
⑥ 4 TRACK SILL



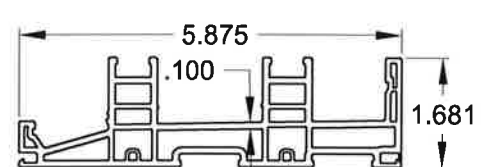
③ 3 TRACK HEAD/JAMB



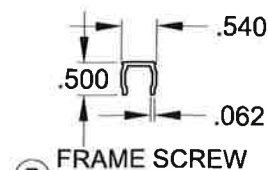
④ 3 TRACK SILL



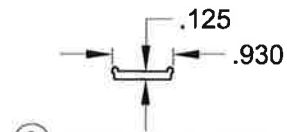
⑤ 4 TRACK HEAD/JAMB



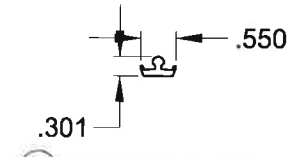
② 2 TRACK SILL



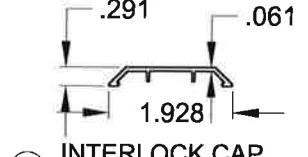
⑦ FRAME SCREW COVER (PVC)



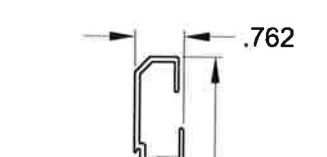
⑧ ANCHOR PLATE



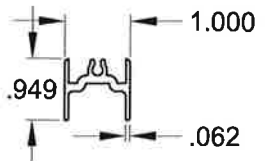
⑨ TRACK INSERT



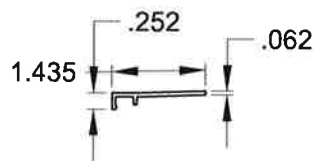
⑩ INTERLOCK CAP, EXTENDED POCKET



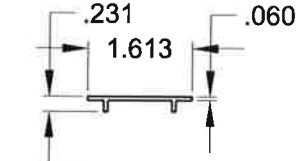
⑱ P-HOOK



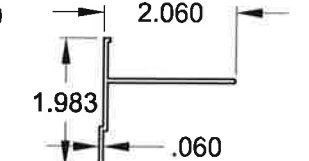
⑪ BOTTOM RAIL SUPPORT



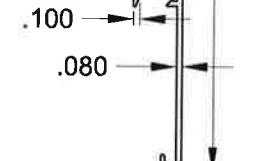
⑫ FRAME SILL ADD-ON



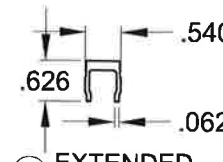
⑬ SILL TRACK COVER



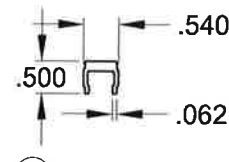
⑰ P-HOOK ADAPTOR



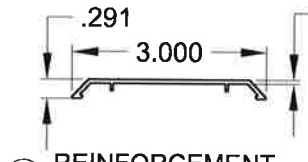
⑱ P-HOOK



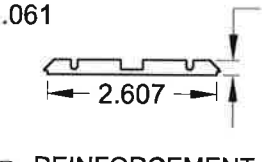
⑲ EXTENDED KEEPER



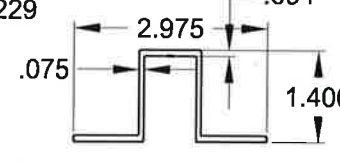
⑳ KEEPER



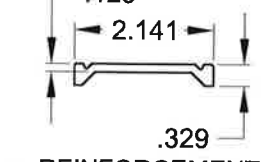
㉑ REINFORCEMENT BAR COVER



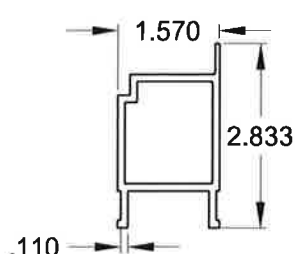
㉒ REINFORCEMENT BAR



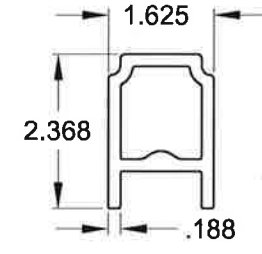
㉓ FIXED PANEL CLIP



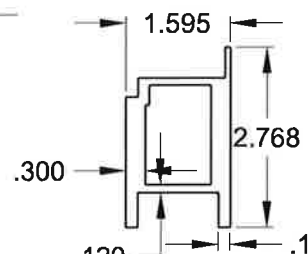
㉔ REINFORCEMENT PLATE



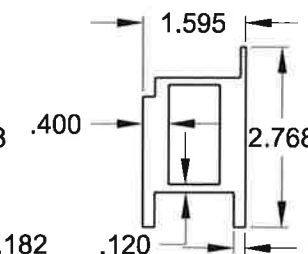
⑫⑤ TOP, BOTTOM AND STILE REINFORCEMENT



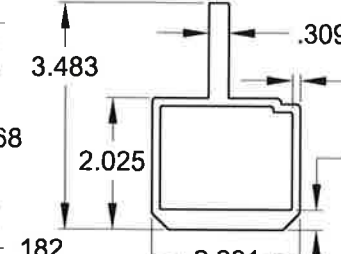
⑫⑥ TOP, BOTTOM AND STILE COMPOSITE REINFORCEMENT



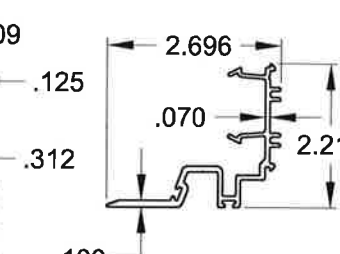
⑫⑦ INTERLOCK .300 REINFORCEMENT, STANDARD



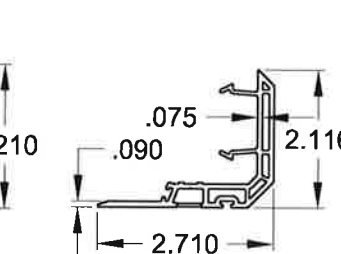
⑫⑧ INTERLOCK .400 REINFORCEMENT, HEAVY-DUTY



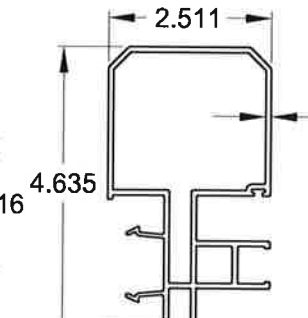
⑫⑨ ASTRAGAL REINFORCEMENT



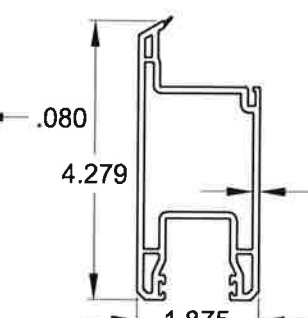
⑫⑩ EXTENDED POCKET INTERLOCK ADAPTER



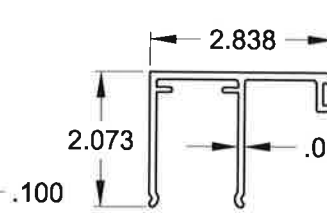
⑫⑪ INTERLOCK ADAPTER



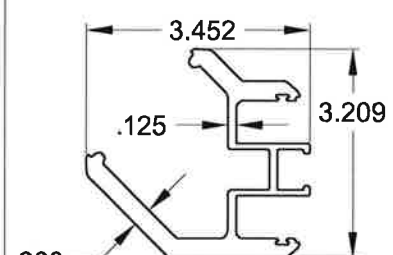
⑫⑫ ASTRAGAL ADD-ON



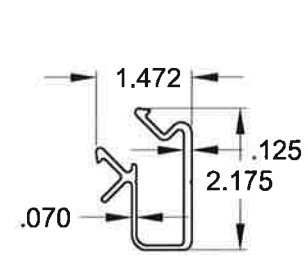
⑫⑬ PANEL STILE, TOP AND BOTTOM RAIL



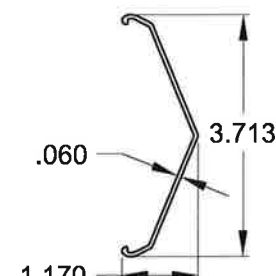
⑫⑭ INTERIOR JAMB COVER



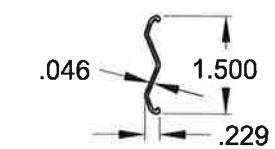
⑫⑮ 135° CORNER ASTRAGAL



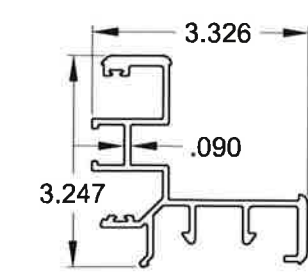
⑫⑯ 135° CORNER PASSIVE MOUNT



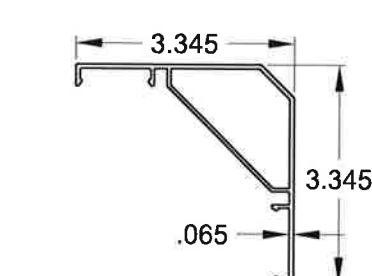
⑫⑰ 135° CORNER ASTRAGAL CAP, EXTERIOR



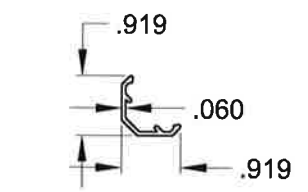
⑫⑱ 135° CORNER ASTRAGAL CAP, INTERIOR



⑫⑲ 90° CORNER ASTRAGAL



⑫⑳ 90° CORNER ASTRAGAL CAP, EXTERIOR

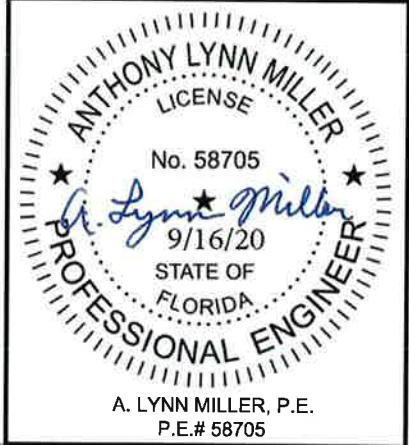


⑫㉑ 90° CORNER ASTRAGAL CAP, INTERIOR

NOTES:

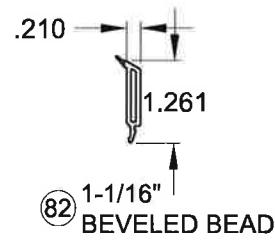
- 1) SEE SHEET 4 FOR SILL RISERS.
- 2) SEE SHEET 20 FOR SCREEN PARTS.
- 3) ALL DIMENSIONS IN INCHES.

COPYRIGHT © 2020
PGT INDUSTRIES, INC.,
LIMITED LICENSE TO MAKE
COPIES FOR PERMITTING.

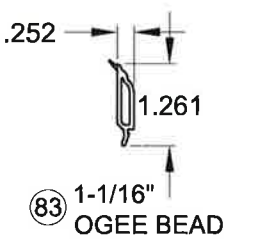


PGT
1070 TECHNOLOGY DRIVE
N. VENICE, FL 34275
(941)-480-1600
CERT. OF AUTH. #29296

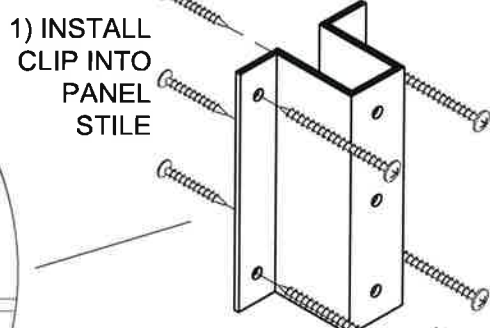
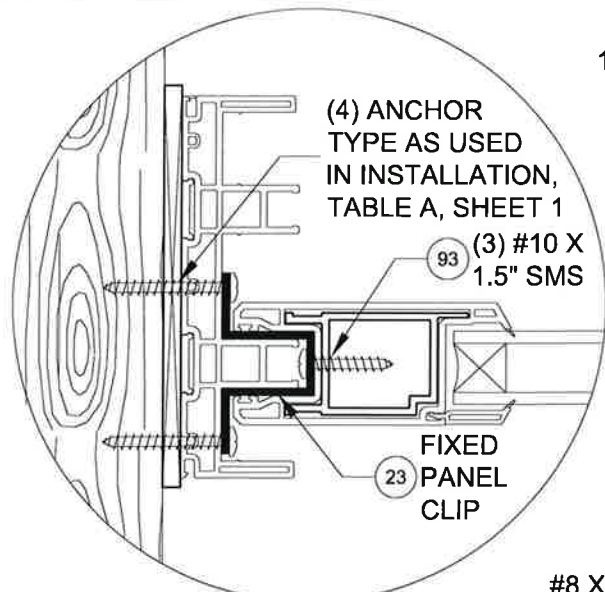
Title		VINYL SLIDING GLASS DOOR FPA		Date	3/24/16
Desc.		EXTRUSIONS		Drawn By	J ROSOWSKI
Rev A	Date	Rev B	Date	Rev A	Date
Scale	NTS	Sheet	18 OF 25	DWG No.	FPA-SGD5470.2
Series	SGD-5470	Rev. No.	A	Rev. No.	A



⑫㉒ 1-1/16" BEVELED BEAD



⑫㉓ 1-1/16" OGEE BEAD

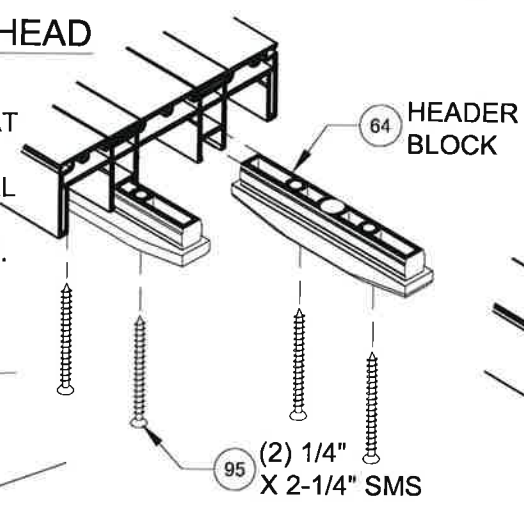


1) INSTALL CLIP INTO PANEL STILE

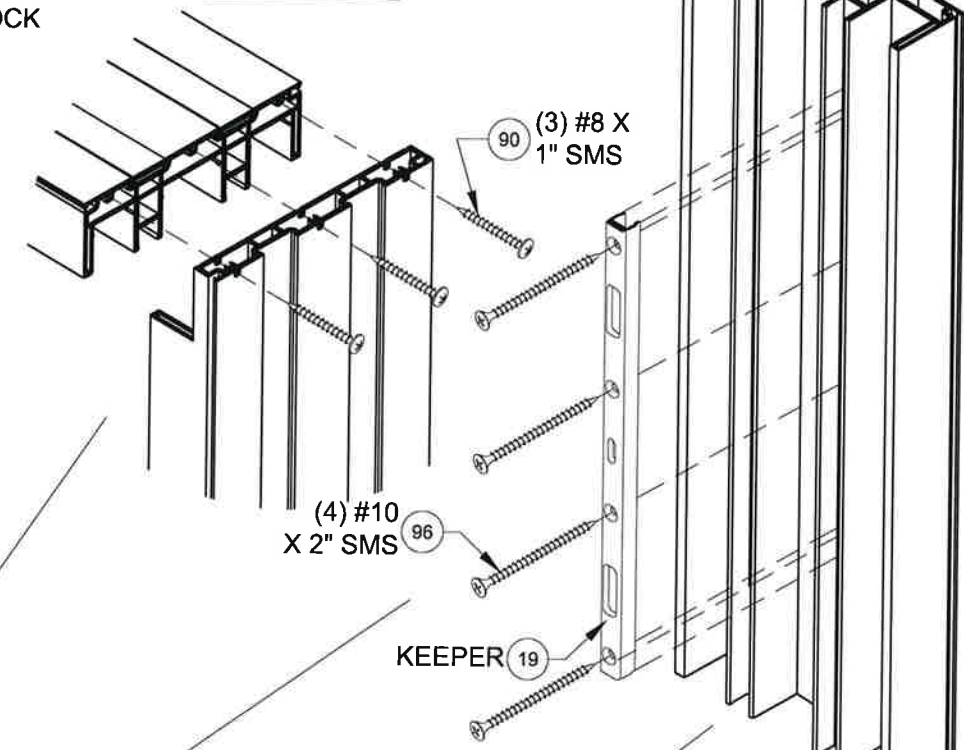
2) INSTALL CLIP INTO FRAME JAMB & SUBSTRATE, SEE TABLE 1

HEADER BLOCK TO HEAD ATTACHMENT

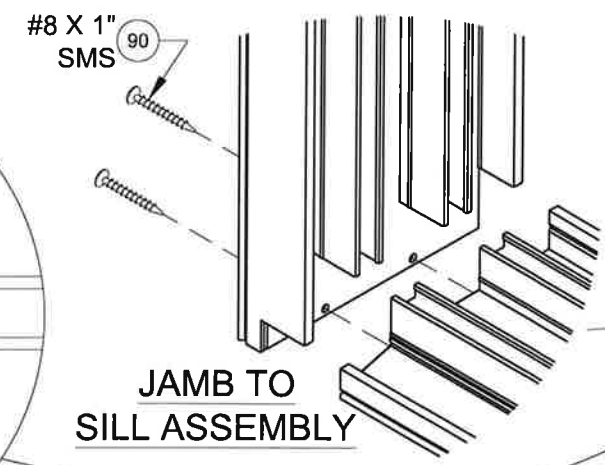
INSTALL ONE BLOCK AT EACH INTERLOCK. AT ASTRAGAL, INSTALL ONE BLOCK THAT SPANS BOTH PANELS.



JAMB TO HEAD ASSEMBLY



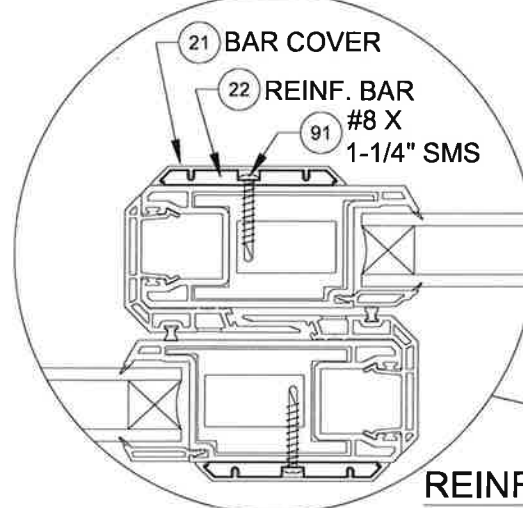
FIXED PANEL CLIP
INSTALL ONE CLIP AT THE MIDSPAN OF EACH FIXED PANEL-TO-FRAME JAMB LOCATION.



JAMB TO SILL ASSEMBLY

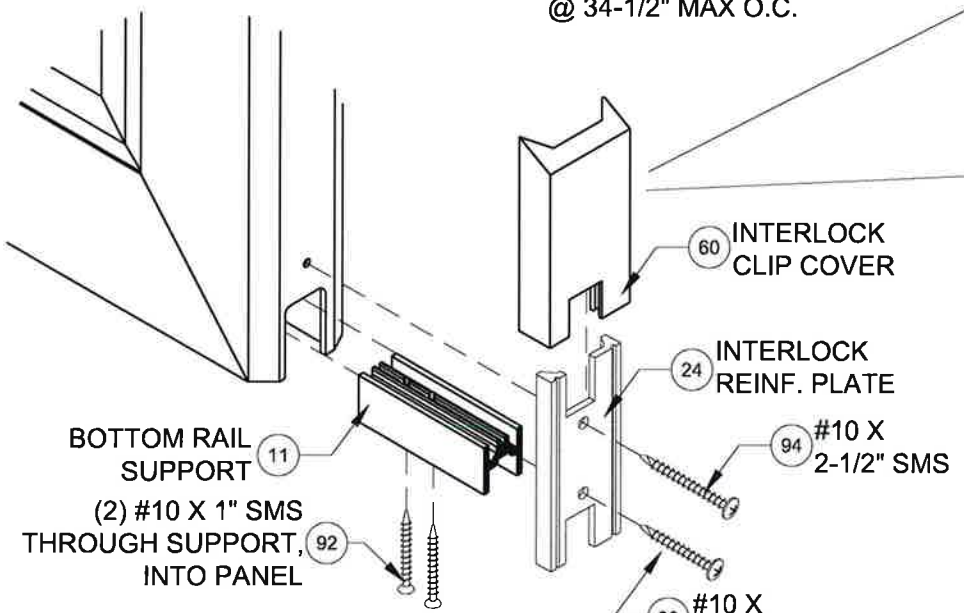
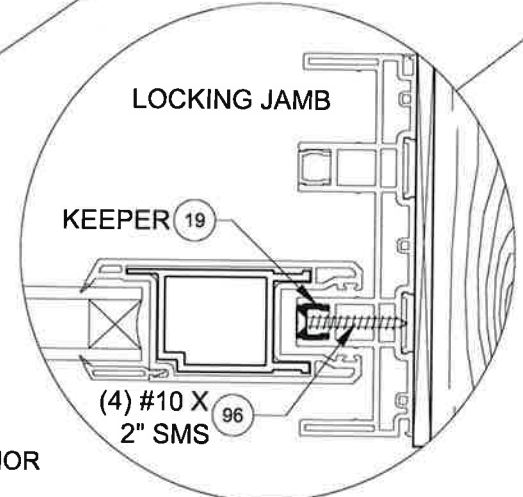
REINFORCEMENT PLATE

ATTACH WITH #8 X 1-1/4" @ 34-1/2" MAX O.C.



4-PANEL, 2-TRACK OXXX SHOWN

KEEPER TO JAMB ATTACHMENT



INTERLOCK SILL RETAINER CLIP ATTACHMENT

INSTALL ONE ASSEMBLY AT EACH INTERLOCK

PANEL ASSEMBLY
ALL PANEL CORNERS WELDED, NO ASSEMBLY FASTENERS

NOTES

- 1) DETAILS APPLY TO 2, 3 AND 4 TRACK CONFIGURATIONS.
- 2) SEE SHEETS 11-16 FOR ANCHOR LOCATION & SPACING.
- 3) SEE TABLES 1 & 2 FOR REINFORCEMENT REQUIREMENTS.
- 4) CONTINUOUS ANCHOR PLATE, ITEM #8, IS REQUIRED AT ALL FRAME ANCHOR LOCATIONS.

PGT

1070 TECHNOLOGY DRIVE
N. VENICE, FL 34275
(941)-480-1600
CERT. OF AUTH. #29296

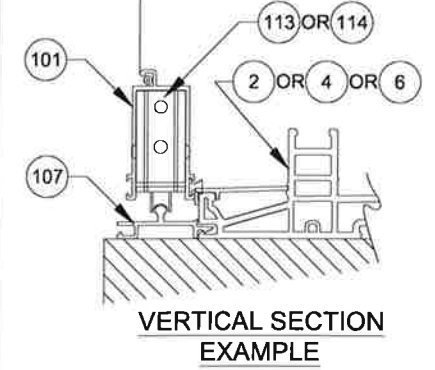
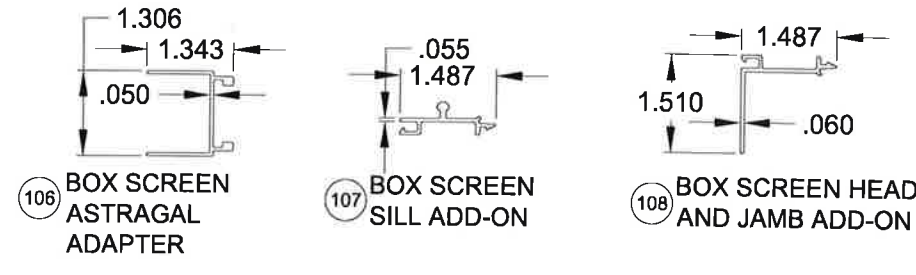
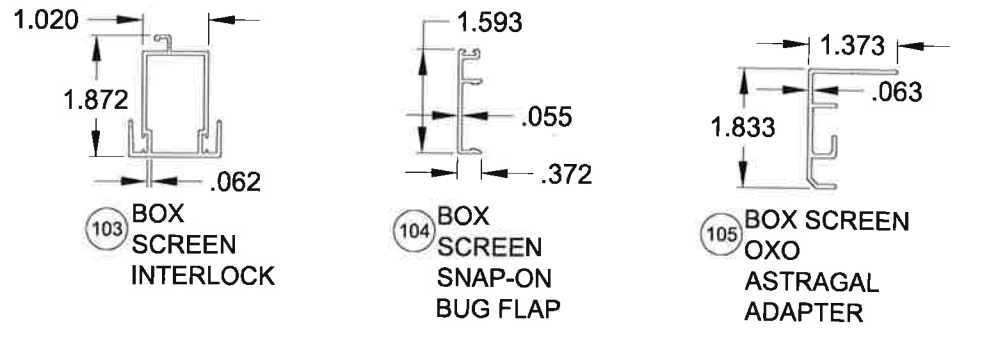
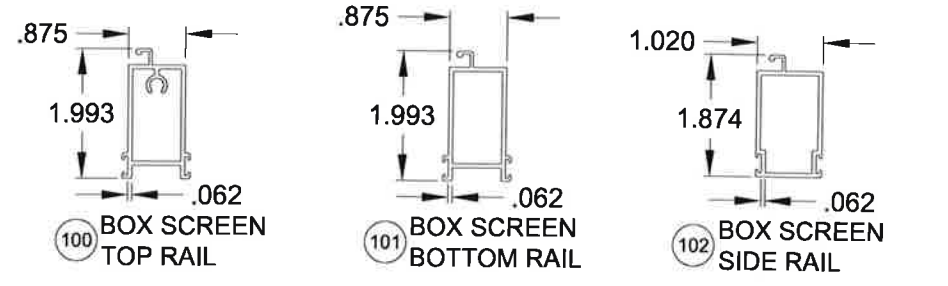
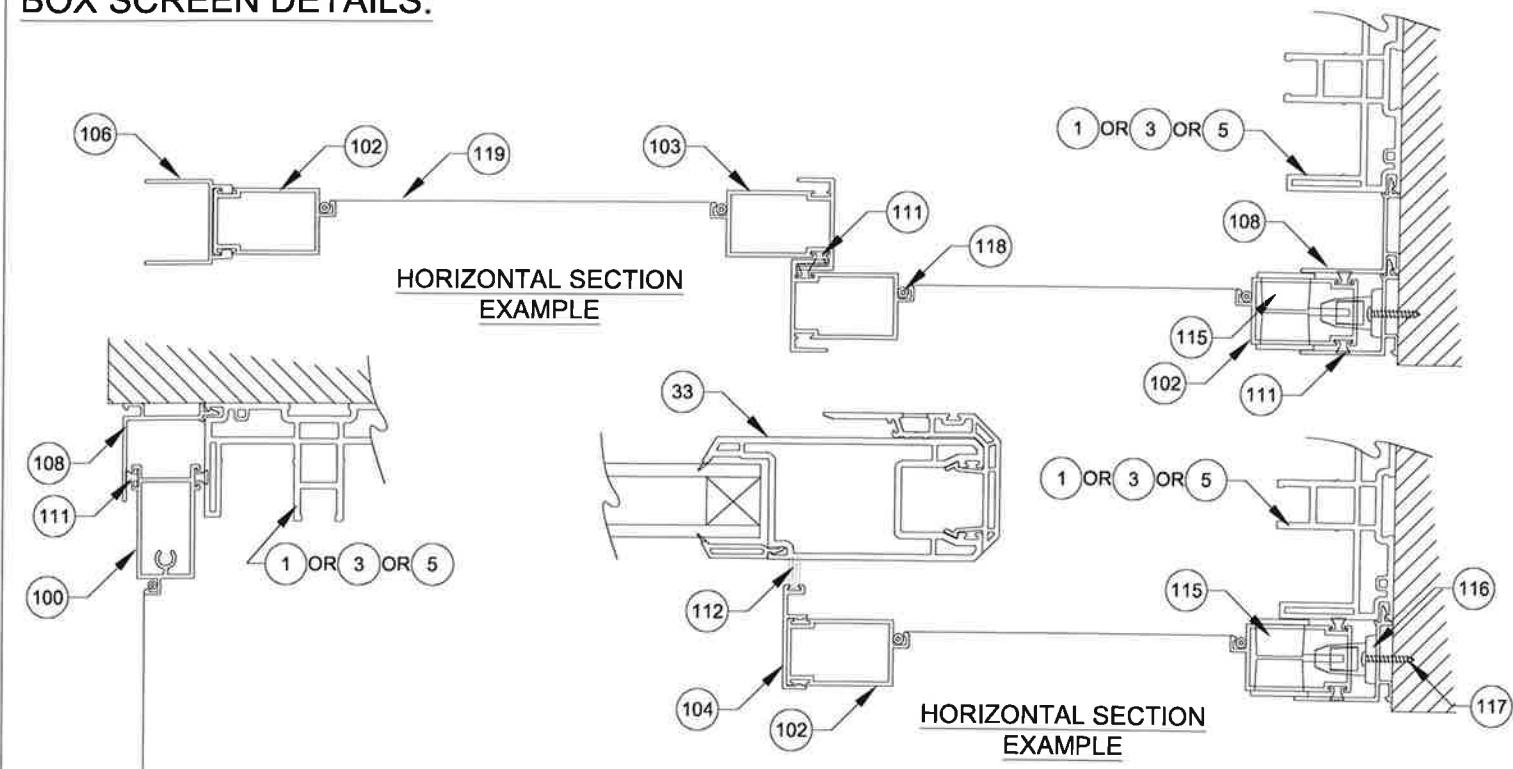
Series	Rev B	Rev A	Title	Date
SGD-5470			VINYL SLIDING GLASS DOOR FPA	3/24/16
Scale	NTS	Sheet	19 OF 25	DWG No.
			FPA-SGD5470.2	Rev. No.
				A

COPYRIGHT © 2020
PGT INDUSTRIES, INC.,
LIMITED LICENSE TO MAKE
COPIES FOR PERMITTING.

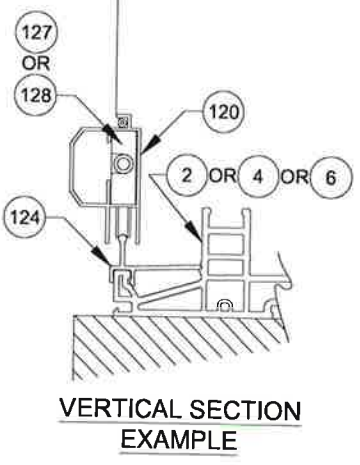
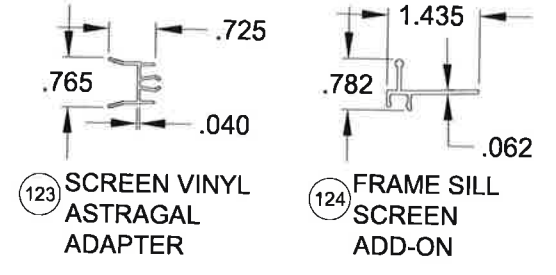
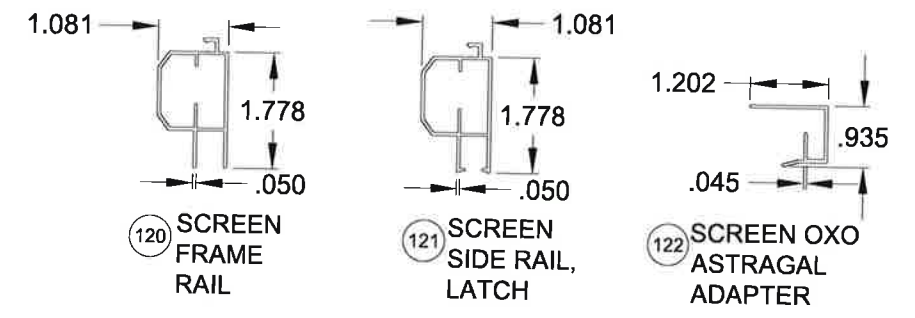
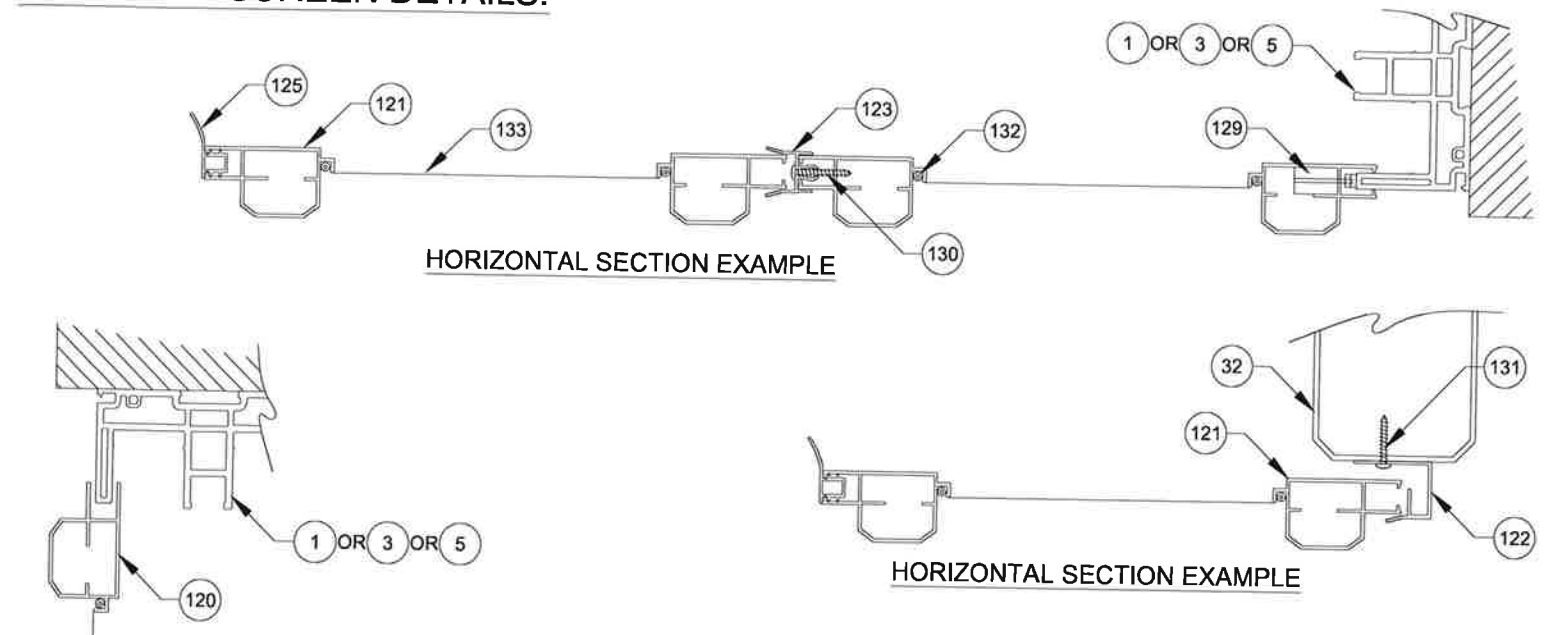
ANTHONY LYNN MILLER
LICENSE
No. 58705
9/16/20
STATE OF FLORIDA
PROFESSIONAL ENGINEER

A. LYNN MILLER, P.E.
P.E.# 58705

BOX SCREEN DETAILS:



STANDARD SCREEN DETAILS:



NOTES:
1) ALL DIMENSIONS IN INCHES.

PGT

1070 TECHNOLOGY DRIVE
N. VENICE, FL 34275
(941)-480-1600

CERT. OF AUTH. #29296

Series	Rev B	Rev A	Title	Date
SGD-5470			VINYL SLIDING GLASS DOOR FPA	3/24/16
Scale	NTS	Sheet	20 OF 25	DWG No. FPA-SGD5470.2
Desc.		SCREEN DETAILS		Rev. No. A
Drawn By		J ROSOWSKI		Rev. A Date
Rev. B Date				Rev. No.

COPYRIGHT © 2020
PGT INDUSTRIES, INC.,
LIMITED LICENSE TO MAKE
COPIES FOR PERMITTING.

ANTHONY LYNN MILLER
LICENSE
No. 58705
9/16/20
STATE OF
FLORIDA
PROFESSIONAL ENGINEER

A. LYNN MILLER, P.E.
P.E.# 58705

TABLE C:

#	Part #	Description	Material
1	19001	2-Track Head/Jamb	Rigid PVC
2	19002	2-Track Sill	Rigid PVC
3	19025	3-Track Head/Jamb	Rigid PVC
4	19026	3-Track Sill	Rigid PVC
5	19027	4-Track Head/Jamb	Rigid PVC
6	19028	4-Track Sill	Rigid PVC
7	19009	Frame Screw Cover	Rigid PVC
8	19031	Anchor Plate	6063-T6 Alum.
9	19007	Track Insert	6063-T6 Alum.
10	19084	Interlock Cap - Extended Pocket	Rigid PVC
11	19036	Bottom Rail Support	6063-T6 Alum.
12	19006A	Outer Sill Cover	6063-T6 Alum.
13	19011	Sill Track Cover	Rigid PVC
17	19032	P-Hook Adapter	6063-T6 Alum.
18	19020	P-Hook	6063-T6 Alum.
19	19047M	Extended Keeper	6063-T6 Alum.
20	19029M	Keeper	6063-T6 Alum.
21	19014	Reinforcement Bar Cover	Rigid PVC
22	19030	Reinforcement Bar	6005-T5 Alum.
23	19037M	Fixed Panel Clip	6063-T6 Alum.
24	19035M	Reinforcement Plate	6063-T6 Alum.
25	19017M	Top Rail, Bottom Rail and Lockstile Reinforcement	6005-T5 Alum.
26	19046		Composite
27	19018M	Interlock .300 Reinforcement, Std.	6005-T5 Alum.
28	19013M	Interlock .400 Reinforcement, HD	6005-T5 Alum.
29	19019M	Astragal Reinforcement	6005-T5 Alum.
30	19083	Extended Pocket Interlock Adaptor	6063-T6 Alum.
31	19006	Interlock Adaptor	Rigid PVC
32	19008	Astragal Add-on	Rigid PVC
33	19004	Panel Stile, Top/Bottom Rail	Rigid PVC
34	19040	Interior Jamb Cover	6063-T6 Alum.
35	19076	135° Corner Astragal	6063-T6 Alum.
36	19077	135° Corner Astragal Passive Mount	6063-T6 Alum.
37	19079	135° Corner Astragal Cap - Ext.	Rigid PVC
38	19080	135° Corner Astragal Cap - Int.	Rigid PVC
39	19078	90° Corner Astragal	6063-T6 Alum.

#	Part #	Description	Material
40	19081	90° Corner Astragal Cap - Ext.	Rigid PVC
41	19082	90° Corner Astragal Cap - Int.	Rigid PVC
42	19085	Sill Riser - (2-1/2")	6063-T6 Alum.
43	19022A	Sill Riser - (3-1/2")	6063-T6 Alum.
44	19023A	Sill Riser - (4-1/16")	6063-T6 Alum.
45	19024A	Sill Riser - (4-5/8")	6063-T6 Alum.
50	718609W	.187" x .320" Finseal (Stile)	
51	71695K	1-1/2" x 1" x 3/4" Fin Seal Dust Plug	
52	71696	Dust Plug	
60	419041	Interlock Clip Cover	PVC
61	78153X	Tandem Roller Assembly	SS
62	78153N	Tandem Roller Assembly	Nylon
63	78X75FPTX	#8 x 3/4" Ph. FH SMS @ Roller & Reinf.	SS
64	419042	Frame Header Block	Nylon
65	48052	Roller Adj. Hole Plug	PVC
66	44385	4 Hole Bumper Stop	PVC
67	76X114FPTX	#6 x 1-1/4" Ph. FH SMS @Bumper Stop	SS
68	71696G	Sill Plug	PVC
69	78185X	Gemini Mortise Lock w/long Trim plate	Steel/SS
70	71032X1FPPX	10-32 x 1" Ph.FH MS @ Lock	SS
71	varies	Handle Kit	Cast Zinc
75		Kommerling 4SG TPS Spacer System	
76		Quanex Super Spacer nXT with Hot Melt Butyl	See Sheet 10 for Materials
77		Quanex Duraseal	
78		Cardinal XL Edge Spacer	
79		Dow-791, 983, 995 or RGS-7700 Backbedding	Silicone
82	19044	1-1/16" Beveled Bead	Rigid PVC
83	19045	1-1/16" Ogee Bead	Rigid PVC
86	71726K	Setting Block 1" x 4" x 1/16", 85 +/- 5 duro.	Neoprene
90	781PSTX	#8 x 1" Ph. PH SMS @ Frame Assembly	SS
91	78X114PHPT410X	#8 x 1-1/4" Ph. PH SMS @ Reinf. Bar	SS
92	710X1PHPT18-8X	#10 x 1" Ph. PH SMS @ Rail Support	SS
93	710X115PPX	#10 x 1-1/2" Ph. PH SMS @ Fxd. Pnl. Clip	SS
94	710X2.5PHPT18-8X	#10 x 2-1/2" Ph. PH SMS @ Reinf. Plate/Ast.	SS
95	71420X2.25FPPX	#12 x 2-1/4" Ph. PH SMS @ Hdr. Block	SS
96	710X1.75PPX	#10 x 1-3/4" Ph. FH SMS @ Keeper	SS
97	710X34PPX	#10 x 3/4" Ph. PH SMS @ Ext. Pkt. Int.	SS

TABLE D: BOX SCREEN

#	Part #	Description	Material
100	12256	Box Screen Top Rail	6063 T5 Al
101	12257	Box Screen Bottom Rail	6063 T5 Al
102	12258	Box Screen Side Rail	6063 T5 Al
103	64428	Box Screen Interlock	6063 T6 Al
104	17347A	Box Screen Snap-on Bug Flap	6063 T6 Al
105	64345	Box Screen OXO Astragal Adapter	6063 T6 Al
106	17349	Box Screen Astragal Adapter	6063 T5 Al
107	19039	Box Screen Frame Sill Add-on	6063 T6 Al
108	19038	Box Screen Head/Jamb Add-on	6063 T6 Al
109	720X1X	#14-20 x 1" MS @ Top Rail	SS
110	720X112X	#14-20 x 1-1/2" MS @ Bottom Rail	SS
111	71793G	Wstp, .270" x .150" - Fin Seal	
112	61805K	Wstp, .187" x .500" @ Bug Flap	
113	7SRAZ	Standard Roller	Nylon
114	7SRAX	HD Roller	SS
115	varies	Screen Locking Hardware	Steel
116	419053	Screen Keeper	Steel
117	76X1PPA	#6 x 1" Ph. PH SMS	Steel
118	1692/3/4	Screen Spline - .150" & .165"	Vinyl
119	1816C20	Screen Cloth	Fiberglass

TABLE E: STANDARD SCREEN

#	Part #	Description	Material
120	12033	Screen Frame Rail	6063 T5 Al
121	12026A	Screen Frame - Side Rail (Latch)	6063 T5 Al
122	17363	Screen OXO Astragal Adapter	6063 T6 Al
123	4853K	Screen Vinyl Astragal Adapter	Rigid PVC
124	19012B	Frame Sill Screen Add-on	6063 T6 Al
125	6FP95K	Bug Flap, 85 +/- 5 duro.	Vinyl
126	78X112PSATS	#8 x 1-1/2" Ph. PH SMS (Assembly)	SS
127	712027	Corner Key Wheel Assembly (Standard)	Nylon
128	712027SS	Corner Key Wheel Assembly (HD)	SS
129	varies	Screen Locking Hardware	Steel
130	710X34PPSDAX	#10 x 3/4" Ph. PH SMS @ Screen Ast.	SS
131	78X12PPSMSX	#8 x 1/2" Ph. PH SMS @ Door Ast.	SS
132	1692/3/4	Screen Spline - .145"	Vinyl
133	1816C20	Screen Cloth	Fiberglass


NOTES:

1) ITEMS # 14-16, 46-49, 53-59, 72-74, 80, 81, 84, 85, 87-89, 98 & 99 ARE NOT USED AND ARE NOT PART OF THIS APPROVAL.

Title	VINYL SLIDING GLASS DOOR FPA		Date	3/24/16				
	Series	Rev 1	Desc.	Drawn By	J ROSOWSKI			
Rev 2					Rev 1	Date		
SGD-5470	Scale	NTS	Sheet	21 OF 25	DWG No.	FPA-SGD5470.2	Rev. No.	A



1070 TECHNOLOGY DRIVE
N. VENICE, FL 34275
(941)-480-1600
CERT. OF AUTH. #29296
COPYRIGHT © 2020
PGI INDUSTRIES, INC.,
LIMITED LICENSE TO MAKE
COPIES FOR PERMITTING.



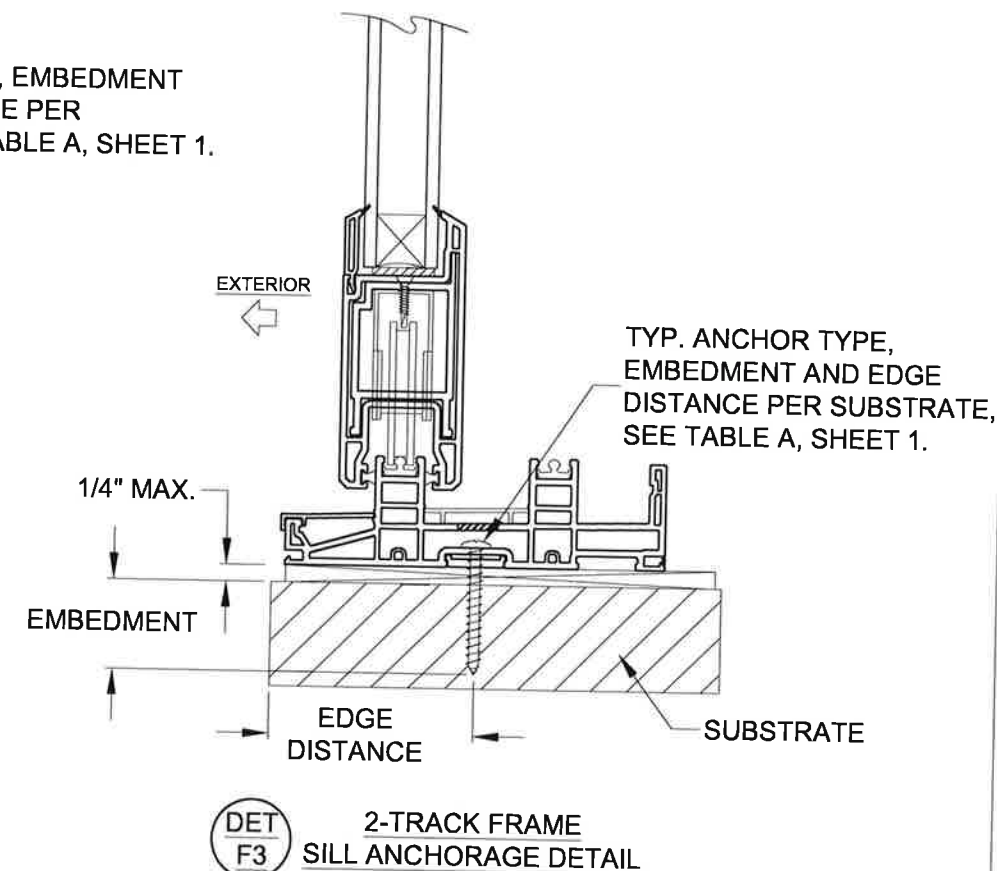
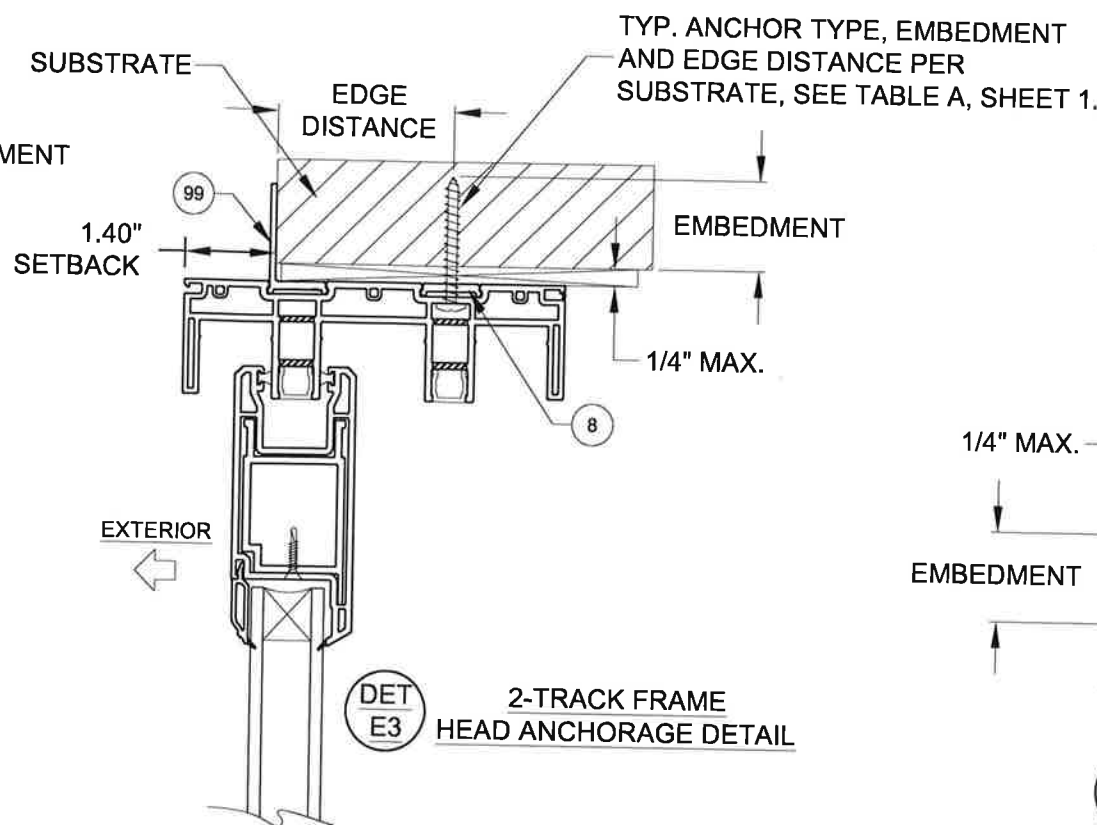
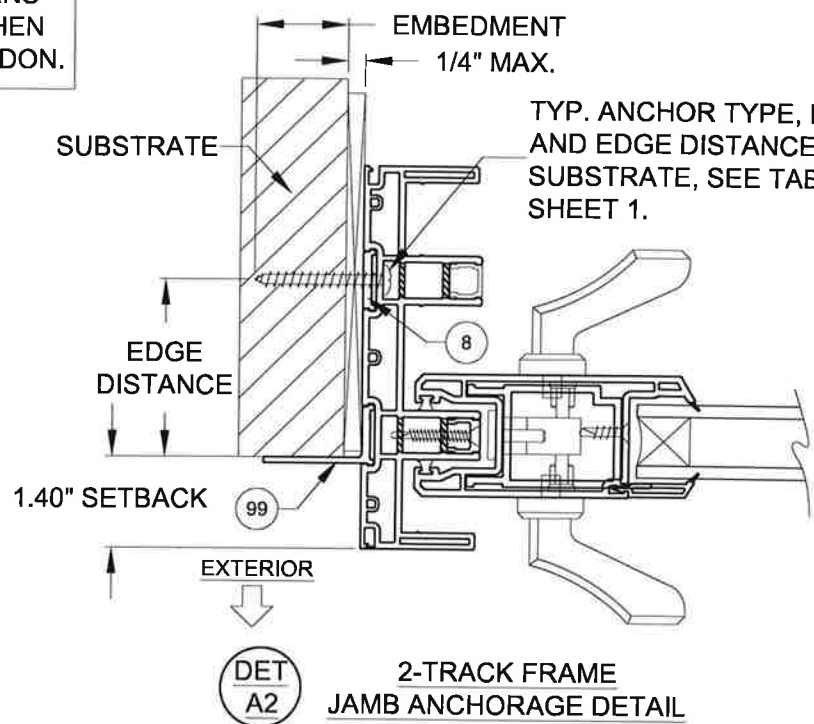
ANTHONY LYNN MILLER
LICENSE
No. 58705
9/16/20
STATE OF FLORIDA
PROFESSIONAL ENGINEER
A. LYNN MILLER, P.E.
P.E.# 58705

ANCHORAGE DETAILS FOR SLIDING GLASS DOORS WHEN INSTALLED WITH FRAME FIN ADDON @ HEAD AND JAMB (SHEETS 22-25)

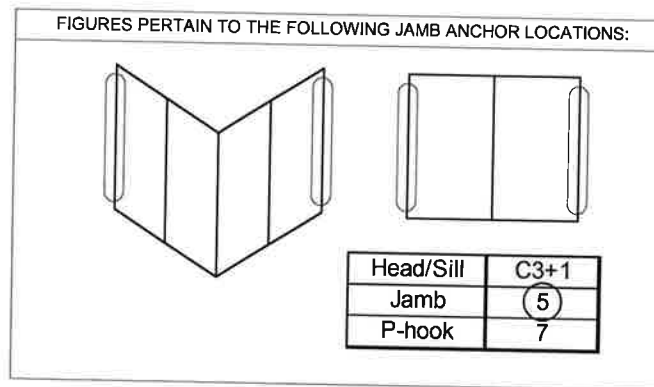
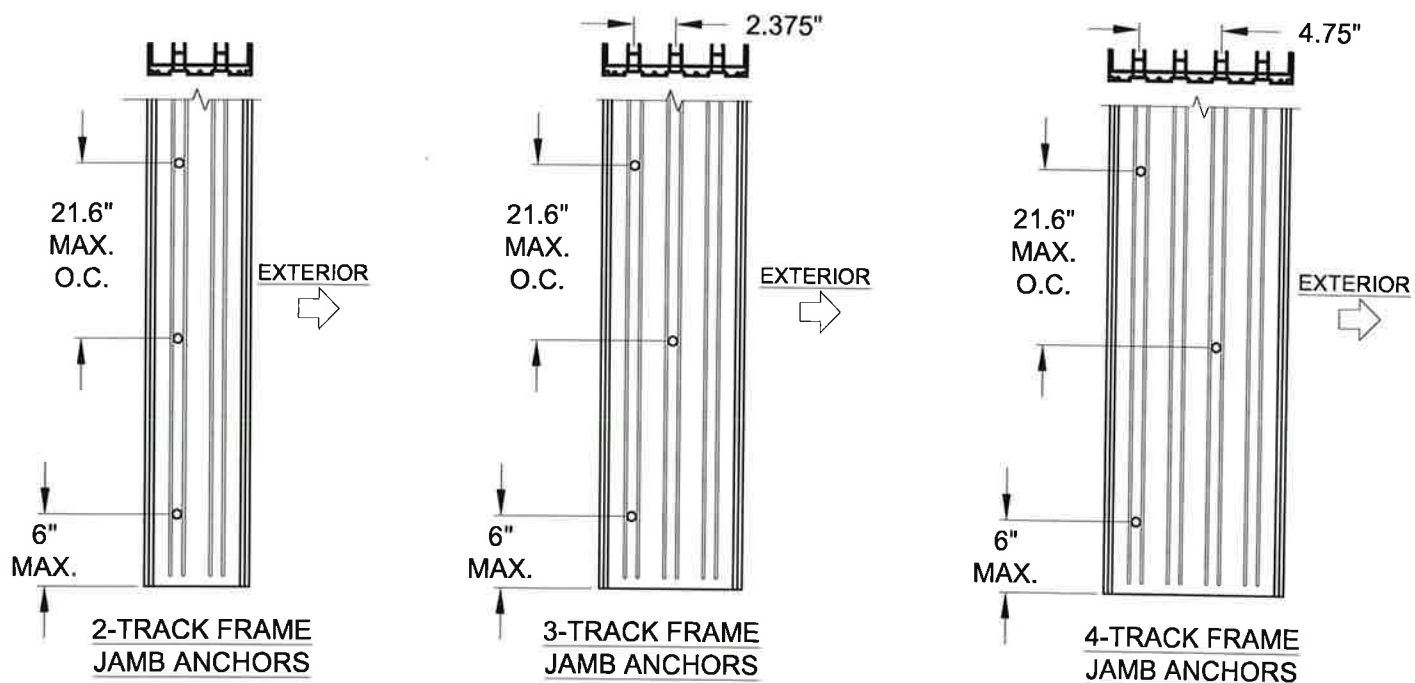
TO ACHIEVE PROPER ANCHOR EDGE DISTANCE, THE FOLLOWING SHEETS (22-25) SHOW ANCHOR PATTERNS THAT MUST BE USED WHEN USING THE FRAME FIN ADDON.

NOTES

- 1) DETAILS APPLY TO 2, 3 AND 4 TRACK CONFIGURATIONS.
- 2) REFER TO TABLE A FOR ANCHOR CONSTRAINTS.
- 3) SILL ANCHORAGE WITH FIN ADDON IS UNCHANGED FROM THE BOX FRAME ANCHORAGE.



JAMB ANCHORS LAYOUT (USING FRAME FIN ADDON):



- NOTES:**
- 1) STANDARD ANCHOR LOCATIONS SHOWN. FOR 3 AND 4-TRACK JAMBS, ANCHORS IN THE INTERIOR TRACK MAY BE LOCATED IN THE ADJACENT TRACK AS REQUIRED TO MEET MIN. EDGE DISTANCE CONSTRAINTS FROM THE INTERIOR.

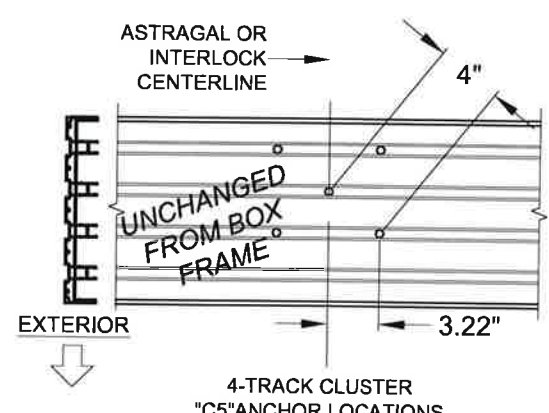
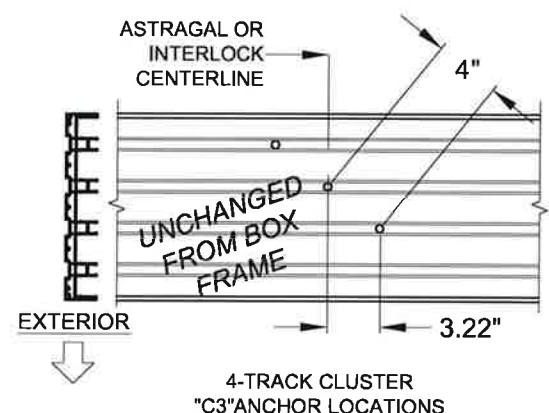
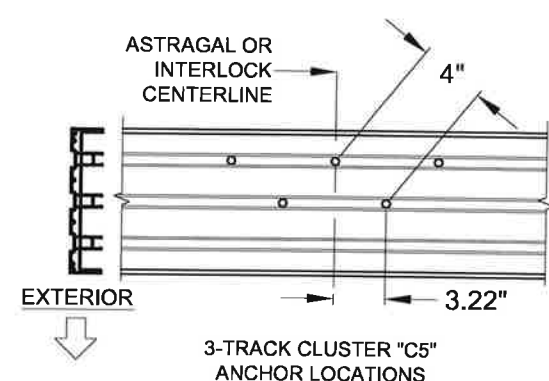
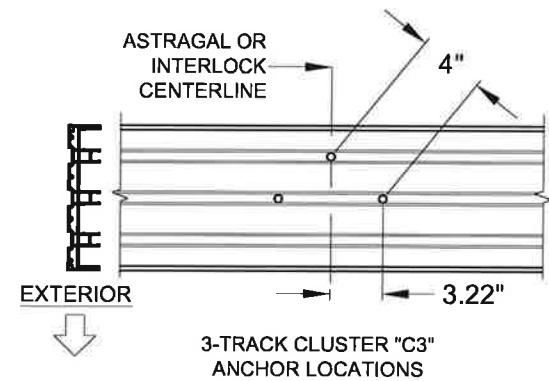
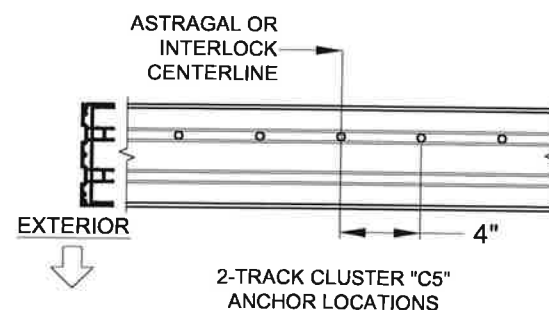
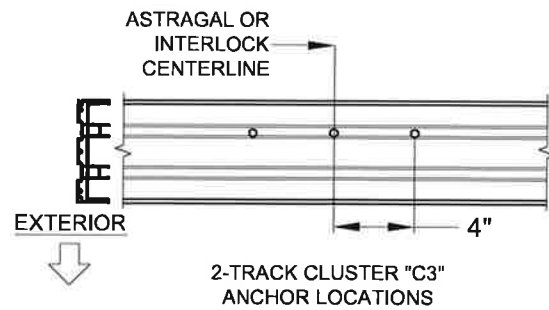
COPYRIGHT © 2020
PGT INDUSTRIES, INC.,
LIMITED LICENSE TO MAKE
COPIES FOR PERMITTING.

1070 TECHNOLOGY DRIVE
N. VENICE, FL 34275
(941)-480-1600
CERT. OF AUTH. #29296

Series	Rev B	Rev A	Desc.	Title	Date
			VINYL SLIDING GLASS DOOR FPA	ANCHOR LOCATIONS A	3/24/16
				Drawn By	J ROSOWSKI
				Rev A	Date
				Rev B	Date
SGD-5470	Scale	NTS	Sheet	22 OF 25	DWG No.
					FPA-SGD5470.2
				Rev. No.	A

ANTHONY LYNN MILLER
LICENSE
No. 58705
9/16/20
STATE OF
FLORIDA
PROFESSIONAL ENGINEER
A. LYNN MILLER, P.E.
P.E.# 58705

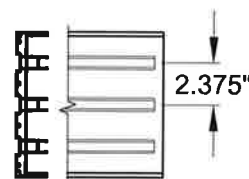
HEAD CLUSTER ANCHORS LAYOUT (USING FRAME FIN ADDON):



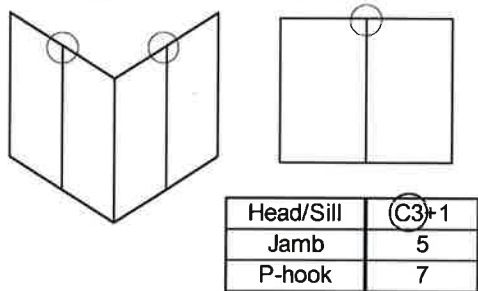
NOTES:

1) ALL DIMENSIONS SHOWN ARE BASED ON MINIMUM ALLOWED.

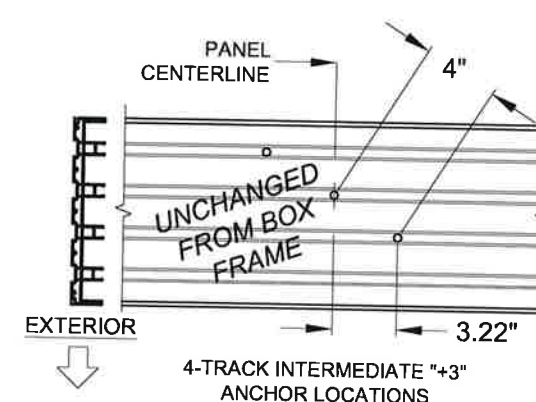
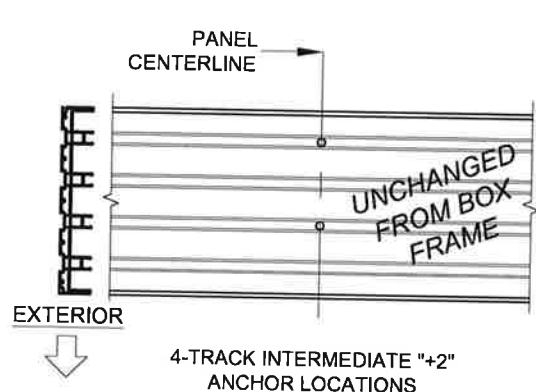
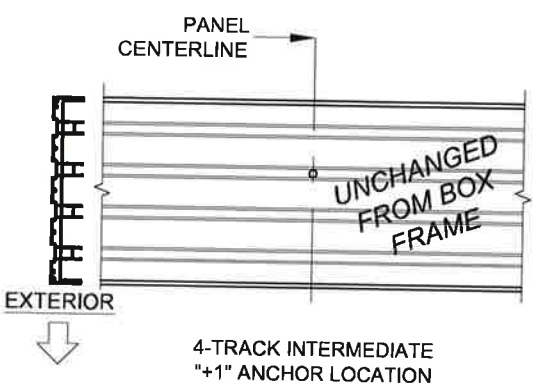
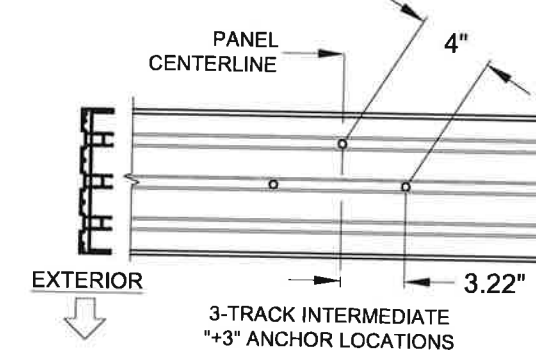
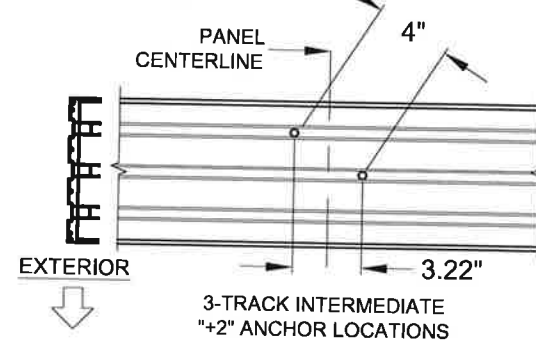
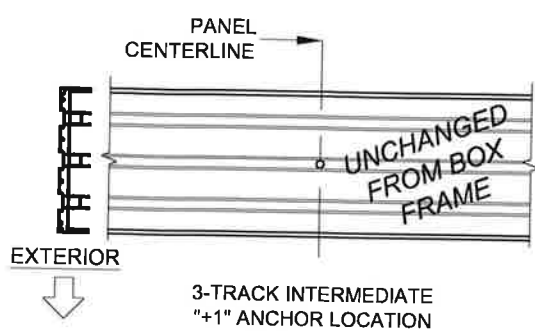
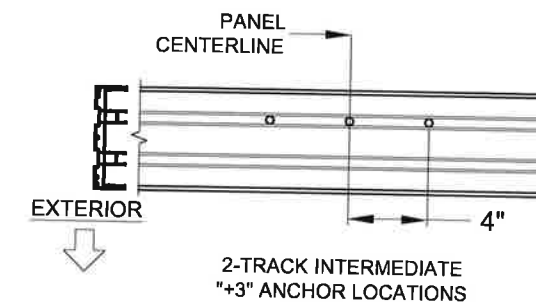
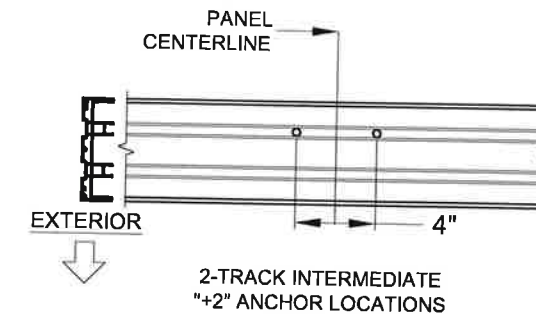
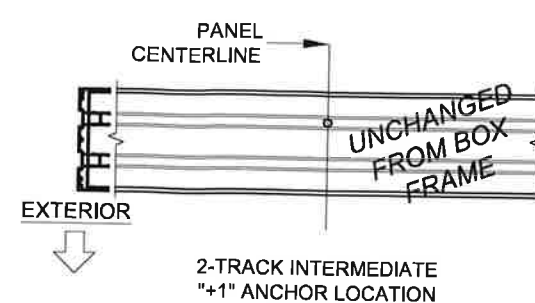
2) TRACK-TO-TRACK DISTANCE IS 2.375":



FIGURES PERTAIN TO THE FOLLOWING HEAD CLUSTER ANCHOR LOCATIONS:



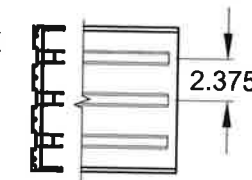
HEAD "+" INTERMEDIATE ANCHORS LAYOUT (USING FRAME FIN ADDON):



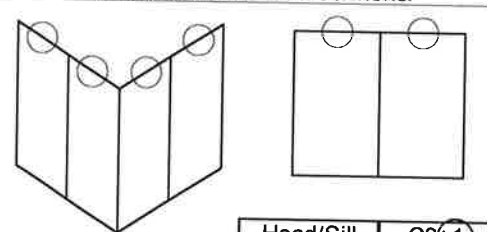
NOTES:

1) ALL DIMENSIONS SHOWN ARE BASED ON MINIMUM ALLOWED.

2) TRACK-TO-TRACK DISTANCE IS 2.375" FOR ALL HEADS:



FIGURES PERTAIN TO THE FOLLOWING HEAD INTERMEDIATE ANCHOR LOCATIONS:



Series	SGD-5470	Scale	NTS	Sheet	23 OF 25	DWG No.	FPA-SGD5470.2	Rev. No.	A	
Desc.	VINYL SLIDING GLASS DOOR FPA ANCHOR LOCATIONS B		Date	3/24/16	Drawn By	J ROSOWSKI	Rev 1 Date		Rev 2 Date	

PGT

1070 TECHNOLOGY DRIVE
N. VENICE, FL 34275
(941)-480-1600

CERT. OF AUTH. #29296

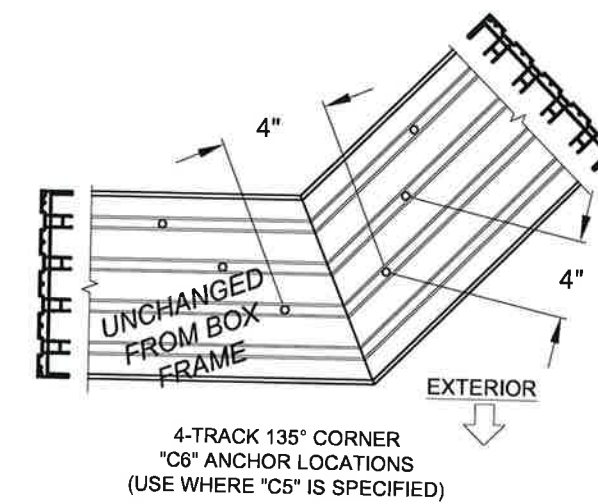
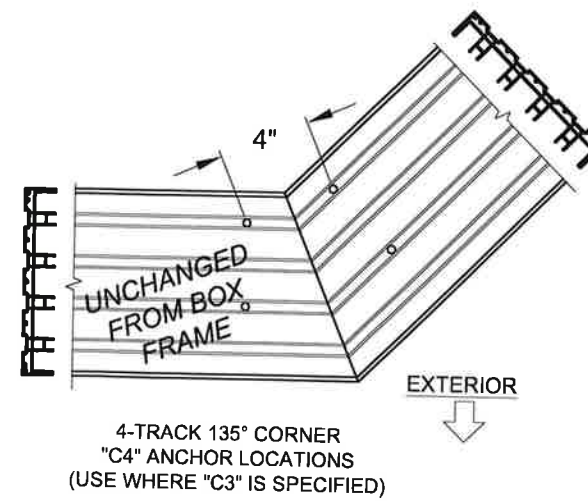
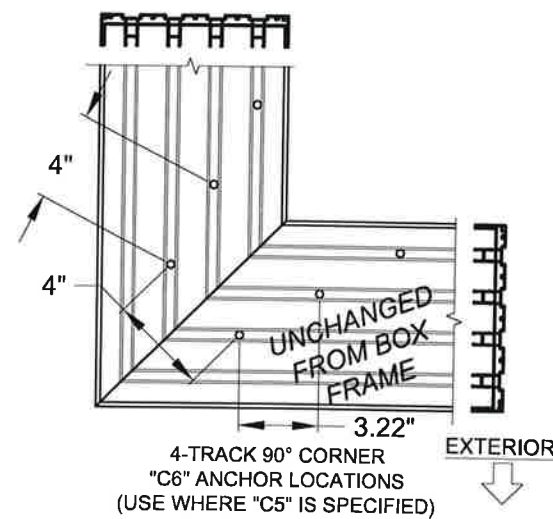
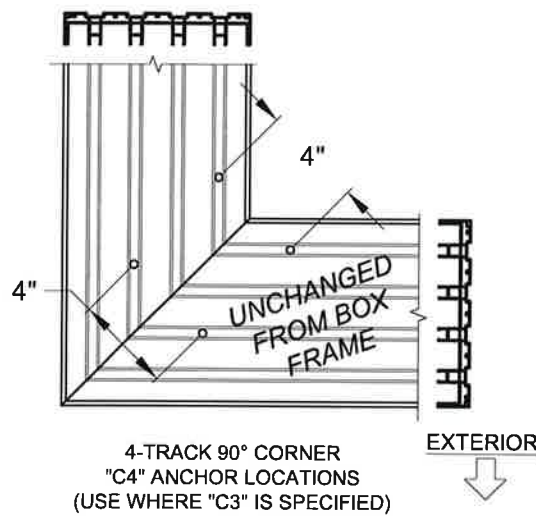
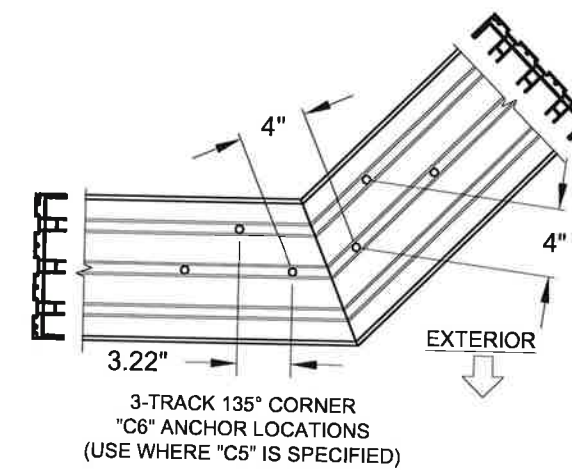
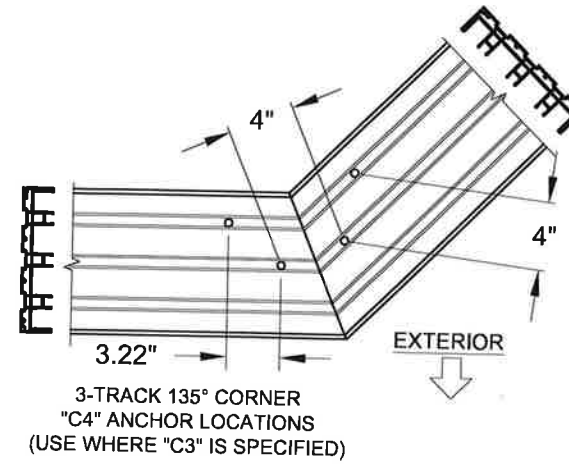
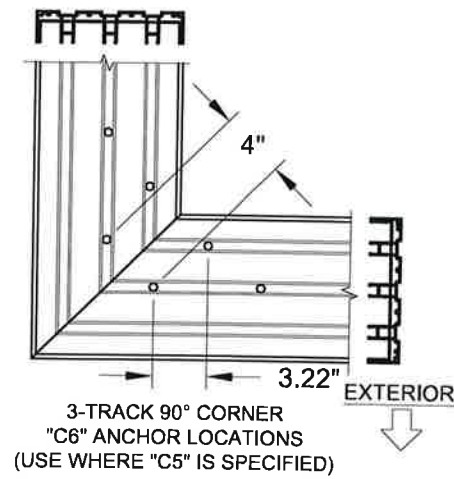
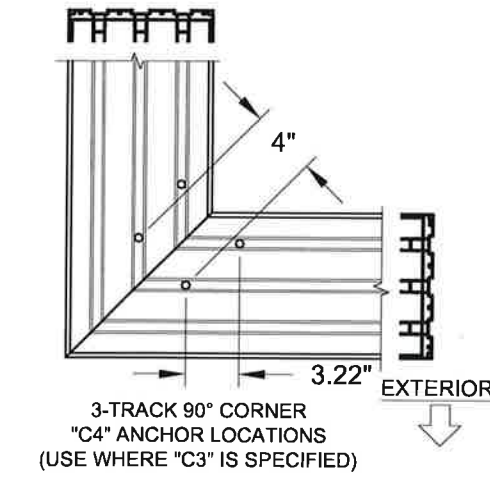
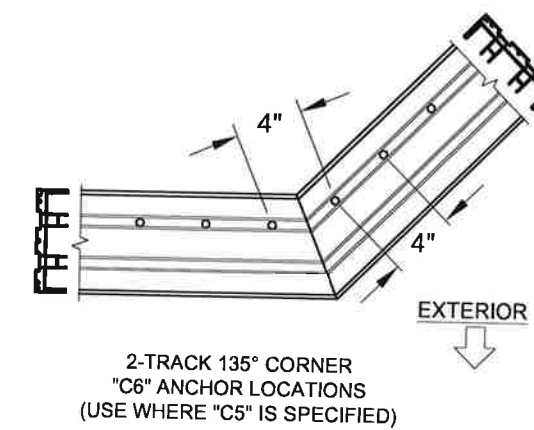
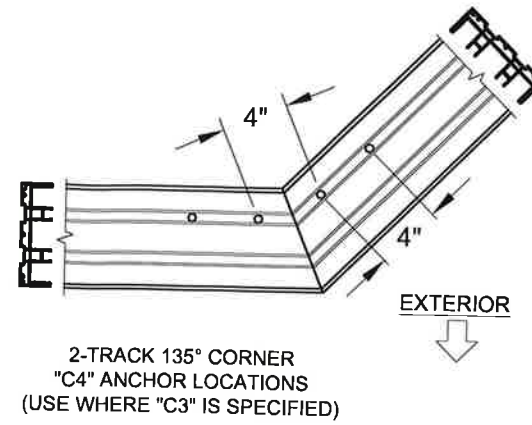
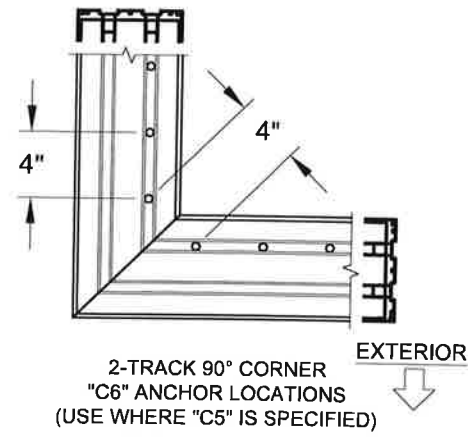
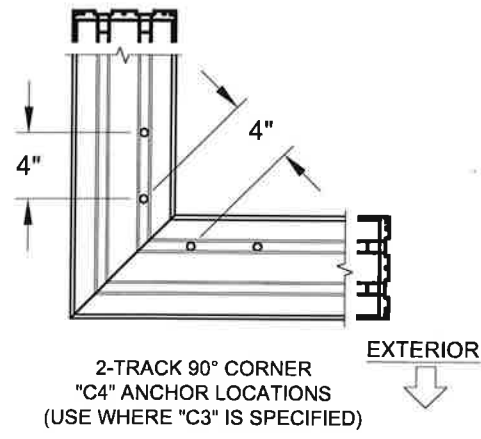
COPYRIGHT © 2020
PGT INDUSTRIES, INC.,
LIMITED LICENSE TO MAKE
COPIES FOR PERMITTING.

ANTHONY LYNN MILLER
LICENSE
No. 58705
9/16/20
STATE OF
FLORIDA
PROFESSIONAL ENGINEER

A. LYNN MILLER, P.E.
P.E.# 58705

HEAD 90° CORNER CLUSTER ANCHORS LAYOUT (USING FRAME FIN ADDON):

HEAD 135° CORNER CLUSTER ANCHORS LAYOUT (USING FRAME FIN ADDON):



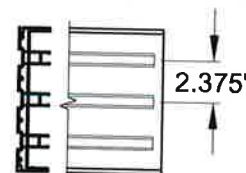
FIGURES PERTAIN TO THE FOLLOWING 135° CORNER HEAD ANCHOR LOCATIONS:

Head/Sill	(C3)+1
Jamb	5
P-hook	7

FIGURES PERTAIN TO THE FOLLOWING 90° CORNER HEAD ANCHOR LOCATIONS:

Head/Sill	(C3)+1
Jamb	5
P-hook	7

- NOTES:
- 1) ALL DIMENSIONS SHOWN ARE BASED ON MINIMUM ALLOWED.
 - 2) DETAILS DEPICT ANCHOR QUANTITY AND SPACING, AND WOULD BE SIMILAR FOR OUTSIDE (SHOWN) AND INSIDE CORNER CONFIGURATIONS.
 - 3) TRACK-TO-TRACK DISTANCE IS 2.375":



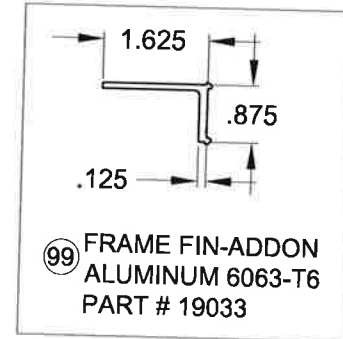
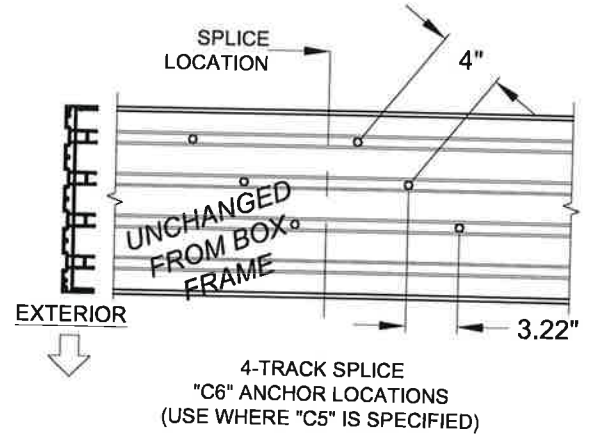
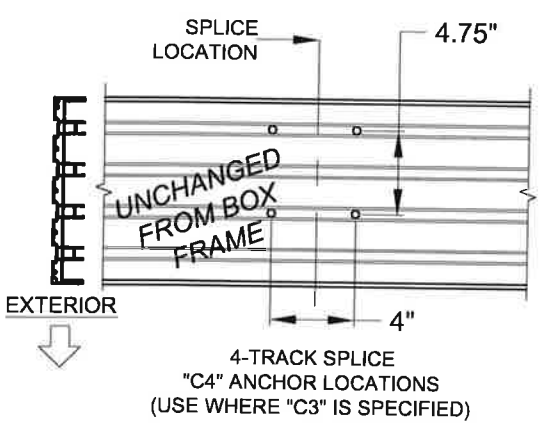
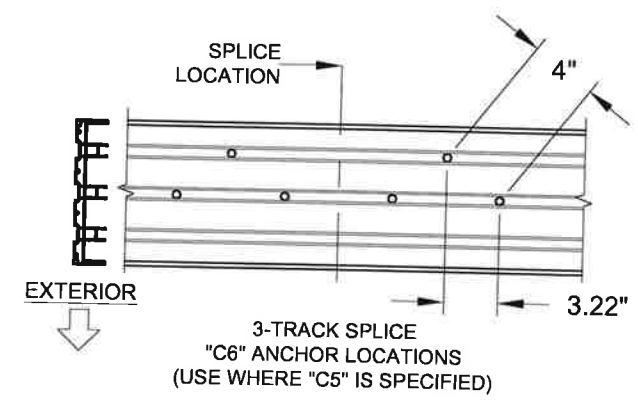
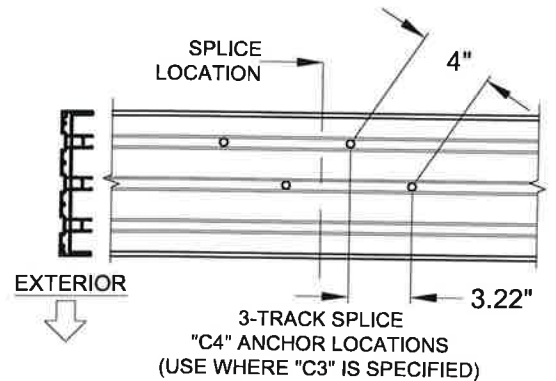
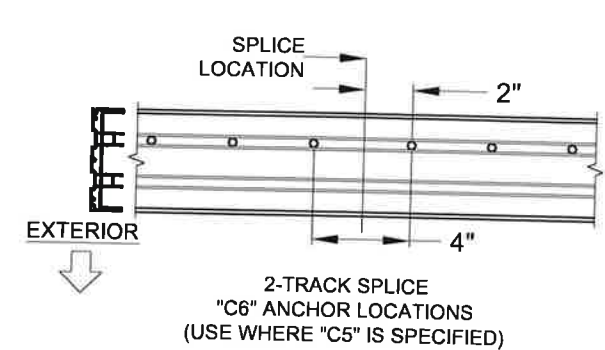
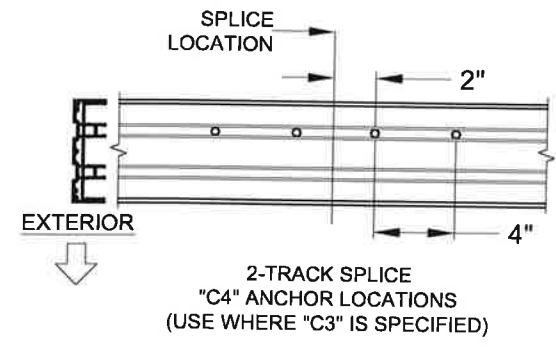
COPYRIGHT © 2020
PGT INDUSTRIES, INC.,
LIMITED LICENSE TO MAKE
COPIES FOR PERMITTING.

ANTHONY LYNN MILLER
LICENSE
No. 58705
9/16/20
STATE OF
FLORIDA
PROFESSIONAL ENGINEER
A. LYNN MILLER, P.E.
P.E.# 58705

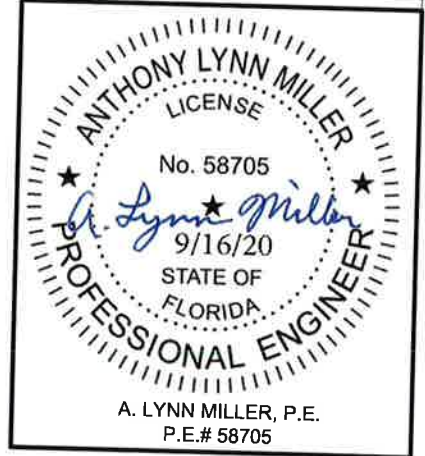
1070 TECHNOLOGY DRIVE
N. VENICE, FL 34275
(941)-480-1600
CERT. OF AUTH. #29296

Series	SGD-5470	Scale	NTS	Sheet	24 OF 25	DWG No.	FPA-SGD5470.2	Rev. No.	A
Title	VINYL SLIDING GLASS DOOR FPA		Date	3/24/16					
Desc.	ANCHOR LOCATIONS C		Drawn By	J ROSOWSKI					
Rev 1	Date	Rev 2	Date						

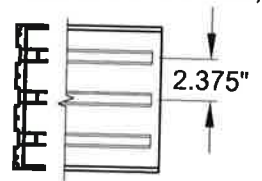
HEAD SPLICE ANCHORS LAYOUT @ INTERLOCK OR ASTRAGAL (USING FRAME FIN ADDON):



COPYRIGHT © 2020
PGT INDUSTRIES, INC.,
LIMITED LICENSE TO MAKE
COPIES FOR PERMITTING.



- NOTES:**
- 1) ALL DIMENSIONS SHOWN ARE BASED ON MINIMUM ALLOWED.
 - 2) ABOVE FIGURES ARE FOR SPLICES OCCURRING AT THE ASTRAGAL OR INTERLOCK. FOR SPLICES OCCURRING INSIDE OF A POCKET, SEE THE EXAMPLE ON SHEET 9.
 - 3) TRACK-TO-TRACK DISTANCE IS 2.375":



FIGURES PERTAIN TO THE FOLLOWING SPLICED HEAD ANCHOR LOCATIONS:

Head/Sill	(C3)+1
Jamb	5
P-hook	7

PGT
1070 TECHNOLOGY DRIVE
N. VENICE, FL 34275
(941)-480-1600
CERT. OF AUTH. #29296

Series	Rev 2	Rev 1	Title	Date
SGD-5470	NTS	25 OF 25	VINYL SLIDING GLASS DOOR FPA ANCHOR LOCATIONS D	3/24/16
Scale	Sheet	DWG No.	Drawn By	Rev. No.
NTS	25 OF 25	FPA-SGD5470.2	J ROSOWSKI	A



Ron DeSantis, Governor

Halsey Beshears, Secretary



**STATE OF FLORIDA
DEPARTMENT OF BUSINESS AND PROFESSIONAL REGULATION**

CONSTRUCTION INDUSTRY LICENSING BOARD

THE GENERAL CONTRACTOR HEREIN IS CERTIFIED UNDER THE
PROVISIONS OF CHAPTER 489, FLORIDA STATUTES



FRANCIS, ARTHUR WAYNE

THE HOME DEPOT
2455 PACES FERRY RD
C-11 LICENSE MANAGEMENT TEAM
ATLANTA GA 30339

LICENSE NUMBER: CGC061641

EXPIRATION DATE: AUGUST 31, 2022

Always verify licenses online at MyFloridaLicense.com



Do not alter this document in any form.

This is your license. It is unlawful for anyone other than the licensee to use this document.



CERTIFICATE OF LIABILITY INSURANCE

DATE (MM/DD/YYYY)
02/24/2021

THIS CERTIFICATE IS ISSUED AS A MATTER OF INFORMATION ONLY AND CONFERS NO RIGHTS UPON THE CERTIFICATE HOLDER. THIS CERTIFICATE DOES NOT AFFIRMATIVELY OR NEGATIVELY AMEND, EXTEND OR ALTER THE COVERAGE AFFORDED BY THE POLICIES BELOW. THIS CERTIFICATE OF INSURANCE DOES NOT CONSTITUTE A CONTRACT BETWEEN THE ISSUING INSURER(S), AUTHORIZED REPRESENTATIVE OR PRODUCER, AND THE CERTIFICATE HOLDER.

IMPORTANT: If the certificate holder is an ADDITIONAL INSURED, the policy(ies) must have ADDITIONAL INSURED provisions or be endorsed. If SUBROGATION IS WAIVED, subject to the terms and conditions of the policy, certain policies may require an endorsement. A statement on this certificate does not confer rights to the certificate holder in lieu of such endorsement(s).

PRODUCER MARSH USA, INC. TWO ALLIANCE CENTER 3560 LENOX ROAD, SUITE 2400 ATLANTA, GA 30326 CN101642069-Home-GW-FL-21-22 MU	CONTACT NAME: _____	
	PHONE (A/C, No, Ext): _____	FAX (A/C, No): _____
E-MAIL ADDRESS: _____		
INSURER(S) AFFORDING COVERAGE		NAIC #
INSURER A : Old Republic Insurance Co		24147
INSURER B : Indemnity Ins Co Of North America		43575
INSURER C :		
INSURER D :		
INSURER E :		
INSURER F :		

COVERAGES **CERTIFICATE NUMBER:** ATL-004705207-26 **REVISION NUMBER:** 0

THIS IS TO CERTIFY THAT THE POLICIES OF INSURANCE LISTED BELOW HAVE BEEN ISSUED TO THE INSURED NAMED ABOVE FOR THE POLICY PERIOD INDICATED. NOTWITHSTANDING ANY REQUIREMENT, TERM OR CONDITION OF ANY CONTRACT OR OTHER DOCUMENT WITH RESPECT TO WHICH THIS CERTIFICATE MAY BE ISSUED OR MAY PERTAIN, THE INSURANCE AFFORDED BY THE POLICIES DESCRIBED HEREIN IS SUBJECT TO ALL THE TERMS, EXCLUSIONS AND CONDITIONS OF SUCH POLICIES. LIMITS SHOWN MAY HAVE BEEN REDUCED BY PAID CLAIMS.

INSR LTR	TYPE OF INSURANCE	ADDL INSD	SUBR WVD	POLICY NUMBER	POLICY EFF (MM/DD/YYYY)	POLICY EXP (MM/DD/YYYY)	LIMITS
A	COMMERCIAL GENERAL LIABILITY <input type="checkbox"/> CLAIMS-MADE <input checked="" type="checkbox"/> OCCUR <input checked="" type="checkbox"/> SIR: \$1,000,000 GEN'L AGGREGATE LIMIT APPLIES PER: <input checked="" type="checkbox"/> POLICY <input type="checkbox"/> PROJECT <input type="checkbox"/> LOC OTHER: _____			MWZY 314574	03/01/2019	03/01/2022	EACH OCCURRENCE \$ 1,000,000 DAMAGE TO RENTED PREMISES (Ea occurrence) \$ 1,000,000 MED EXP (Any one person) \$ EXCLUDED PERSONAL & ADV INJURY \$ 1,000,000 GENERAL AGGREGATE \$ 2,000,000 PRODUCTS - COMP/OP AGG \$ 2,000,000 \$
	AUTOMOBILE LIABILITY <input type="checkbox"/> ANY AUTO <input type="checkbox"/> OWNED AUTOS ONLY <input type="checkbox"/> SCHEDULED AUTOS <input type="checkbox"/> NON-OWNED AUTOS ONLY <input type="checkbox"/> HIRED AUTOS ONLY						COMBINED SINGLE LIMIT (Ea accident) \$ BODILY INJURY (Per person) \$ BODILY INJURY (Per accident) \$ PROPERTY DAMAGE (Per accident) \$ \$
	UMBRELLA LIAB <input type="checkbox"/> OCCUR EXCESS LIAB <input type="checkbox"/> CLAIMS-MADE DED RETENTION \$						EACH OCCURRENCE \$ AGGREGATE \$ \$
B	WORKERS COMPENSATION AND EMPLOYERS' LIABILITY ANY PROPRIETOR/PARTNER/EXECUTIVE OFFICER/MEMBER EXCLUDED? (Mandatory in NH) If yes, describe under DESCRIPTION OF OPERATIONS below	Y/N N	N/A	WLR C67825287 (AL,AR,FL,IL,IA,KS,KY,LA,MS,MO,NE,NM,ND,OK,SC,SD,TN,WV,WY)	03/01/2021	03/01/2022	<input checked="" type="checkbox"/> PER STATUTE <input type="checkbox"/> OTHER E.L. EACH ACCIDENT \$ 5,000,000 E.L. DISEASE - EA EMPLOYEE \$ 5,000,000 E.L. DISEASE - POLICY LIMIT \$ 5,000,000
A	Excess General Liability			MWZX 314580	03/01/2019	03/01/2022	Limit \$ 8,000,000

DESCRIPTION OF OPERATIONS / LOCATIONS / VEHICLES (ACORD 101, Additional Remarks Schedule, may be attached if more space is required)

CERTIFICATE HOLDER **CANCELLATION**

CITY OF BELLE ISLE 1600 NELA AVENUE BELLE ISLE, FL 32809	SHOULD ANY OF THE ABOVE DESCRIBED POLICIES BE CANCELLED BEFORE THE EXPIRATION DATE THEREOF, NOTICE WILL BE DELIVERED IN ACCORDANCE WITH THE POLICY PROVISIONS. AUTHORIZED REPRESENTATIVE of Marsh USA Inc. Manashi Mukherjee <i>Manashi Mukherjee</i>
--	--

2020 - 2021 HILLSBOROUGH COUNTY BUSINESS TAX RECEIPT

EXPIRES SEPTEMBER 30, 2021

ACCOUNT NO.
45892

OCC. CODE

090.010000 GENERAL CONTRACTOR

1 Employees

RENEWAL

Receipt Fee 18.00

Hazardous Waste Surcharge 40.00

Law Library Fee 0.00

CGC061641

BUSINESS ARTHUR WAYNE FRANCIS
THE HOME DEPOT
9208 FLORIDA PALM DR
TAMPA, FL 33619

2020 - 2021

NAME THE HOME DEPOT USA INC
MAILING C/O THE HOME DEPOT
ADDRESS 2455 PACES FERRY RD C11
ATLANTA, GA 30339

Paid 19-0-402035
07/20/2020 58.00

BUSINESS TAX RECEIPT

HAS HEREBY PAID A PRIVILEGE TAX TO ENGAGE
IN BUSINESS, PROFESSION, OR OCCUPATION SPECIFIED HEREON

DOUG BELDEN, TAX COLLECTOR
813-635-5200
THIS BECOMES A TAX RECEIPT WHEN VALIDATED.