



City of Belle Isle Job Site Permit Card WINDOW/DOOR 2021-04-107

Class: Residential

Site Address: 5032 Duban Ave- Belle Isle, FL 32812

Parcel Number: 17-23-30-4384-02-690. Municipality Belle Isle

INSPECTIONS CANNOT BE SCHEDULED IF A NOC IS PENDING FOR THIS PROJECT

Description of Work:

23 Window (s) / Size for Size

=====

Issued: Window World - Tillman, Michael

License # CGC1514205

Contact # 407 389-1400

Payment/ Issued Date & Method: 4 / 30 / 2021

Picked up by _____

Sent by mail to the mailing address

Emailed

Visa Master Card Amex Discover Check / Money Order#

4770

BUILDING INSPECTOR DATE COMMENTS

900 In Progress			
905 Window/Door Buck			
910 Final			

PLEASE NOTE

In order to schedule any inspections, the **PERMIT / plans-specs.** must be issued and **POSTED** on the **JOB SITE!**

THIS WILL AVOID ANY FAILED INSPECTIONS & RE-INSPECTION FEES. A permit **expires** in 6 months if approved inspections are not recorded /scheduled within that time frame. You are responsible for scheduling and keeping track all of your inspections –

☆ **Inspection requests are to be emailed to BI scheduling@UniversalEngineering.com; a confirmation email will be sent back to you upon scheduling. Next-Day Inspection requests must be made by 3:00 p.m.**

Please include the following requirements in your request:

- **Project Address**
- **Corresponding Permit Number**
- **Type of Inspection** (Please reference your permit card for inspection codes)
- **Date of Inspection** (If no date is specified, the inspection will be scheduled for the next business day)
- **Contact Name**
- **Contact Phone Number**
- **Gate / Entry code** (If applicable)
- **AM, PM, or Any Time** (We do our best to accommodate time requests but cannot guarantee an exact arrival)

Universal Engineering Sciences - 3532 Maggie Blvd., Orlando, FL 32811407-581-8161

Fax 407-581-0313 www.universalengineering.com

"WARNING TO OWNER: YOUR FAILURE TO RECORD A NOTICE OF COMMENCEMENT MAY RESULT IN YOUR PAYING TWICE FOR IMPROVEMENTS TO YOUR PROPERTY. IF YOU INTEND TO OBTAIN FINANCING, CONSULT WITH YOUR LENDER OR AN ATTORNEY BEFORE RECORDING YOUR NOTICE OF COMMENCEMENT."



City of Belle Isle
 Universal Engineering Sciences 3532 Maggie Blvd., Orlando, FL 32811
 Tel 407-581-8161 * Fax 407-581-0313 * www.universalengineering.com

RECEIVED
 APR 28 2021

APPLICATION FOR SIZE-FOR-SIZE WINDOW / DOOR PERMIT

WARNING TO OWNER: YOUR FAILURE TO RECORD A NOTICE OF COMMENCEMENT MAY RESULT IN YOUR PAYING TWICE FOR IMPROVEMENTS TO YOUR PROPERTY. A NOTICE OF COMMENCEMENT MUST BE RECORDED AND POSTED ON THE JOB SITE BEFORE THE FIRST INSPECTION. IF YOU INTEND TO OBTAIN FINANCING, CONSULT WITH YOUR LENDER OR AN ATTORNEY BEFORE RECORDING YOUR NOTICE OF COMMENCEMENT.

DATE OF APPLICATION: 4.26.21

PERMIT NUMBER 201-04-107

PLEASE PRINT. The undersigned hereby applies for a permit to make installations as indicated below:

Project Address 5032 Duban Ave, Belle Isle, FL 32809 X 32812
 Property Owner Carrell Whitescarver Phone 407-579-5379
 Property Owner's Mailing Address 5032 Duban Ave City Orlando
 State FL Zip Code 32812 Parcel Id Number: 17.23 30.4384.02.690
 REQUIRED! To obtain this information, please visit <http://www.ocpafl.org/Searches/ParcelSearch.aspx>

Type of Building: Residential Commercial Other

• **REQUIRED!** Florida Product Approval Form – NOTE: Installation instructions must be posted on-site before your first inspection!!

Please indicate the nature of work by completing the information below:

Number of Size-for-Size Windows: 23 Number of Size-for-Size Doors: — Job Valuation: \$16,401

I hereby certify that the above is true and correct to the best of my knowledge and make Application for Permit as outlined above, and if same is granted I agree to conform to all Florida Building Code Regulations and City Ordinances regulating same and in accordance with plans submitted. The issuance of this permit does not grant permission to violate any applicable Town and/or State of Florida codes and/or ordinances. By signing below, I recognize Republic Services is by legal contract the sole authorized provider of garbage, recycling, yard waste, and commercial garbage and construction debris collection and disposal services with the city limits of the City. Contractors, homeowners and commercial businesses may contact Republic Services at 407-293-8000 to setup accounts for Commercial, Construction Roll Off, or other services needed. Rates are fixed by contract and are available at City Hall or from Republic Services. The City enforces the contract through its code enforcement office. Failure to comply will result in a stop work order.

BY SIGNING THIS APPLICATION, YOU ARE CERTIFYING THAT YOU ARE ACTING AS THE OWNER'S AGENT FOR THIS PERMIT:

LICENSE HOLDER SIGNATURE [Signature] LICENSE # CGC1514205
 LICENSE HOLDER NAME Michael Tillman COMPANY NAME Window World
 Street Address 3882 Center Loop
 City Orlando State FL Zip Code 32808 Phone Number 407.381.1400
 Email Address permit@windowworldorlando.com

Building Official: [Signature] Date 4-28-21

Verified Contractor's Licenses & Insurance are on file [Signature] Date —

Zoning Fee	\$	<u>0</u>
Permit Fee	\$	<u>89.-</u>
Review Fee	\$	<u>44.50</u>
1% BCAIB Fee	\$	<u>2 min</u>
1.5% DCA Fee	\$	<u>2 min</u>
Total Permit Fee	\$	<u>137.50</u>

USA 4770
 4-30-2021 PAID 1624

25
 64
 89.2
 114.00 - 133.80

3682 Center Loop
Orlando, FL 32808
(407) 388-1400 • (407) 388-1402 Fax
windowworldorlando.com

2298 US Highway 1
Rockledge, Florida 32955
(321) 637-1533 • (321) 637-1518 Fax
windowworldofspacecoast.com



1-800-NEXT-WINDOW
windowworldorlando.com / CGC 1514205

906 North US 1
Ormond Beach, Florida 32174
(386) 763-1402 • (386) 310-8046 Fax
windowworldvolusia.com

4105 Highway 297A
Cantonment, Florida 32533
(850) 484-9998 • (850) 484-9914 Fax
windowworldpensacola.com

Name: Carrell Whites Carver Phone (H): 407 579-5329
Install Address: 5032 Dubonay Ave Phone (W):
City, State, Zip: Orlando FL 32812 Email: 201-04-107

DOUBLE HUNG		
13	Series 4000 DH Insulated 101UI	\$ 189 <u>2457</u>
10	Series 4000 DH Insulated 102-114UI	\$ 252 <u>2520</u>
	Series 4000 DH Insulated over 114UI	\$ 357
	Series 6000 DH Insulated 114UI	\$ 209
	Series 6000 DH Insulated over 114UI	\$ 394

SLIDING		
	2 Lite Slider Insulated < 90 UI	\$ 367
	2 Lite Slider Insulated > 90 UI	\$ 545
	3-Lite Slider Insulated < 121 UI	\$ 682
	3 Lite Slider Insulated > 121 UI	\$ 944

IMPACT WINDOWS / DOORS		
	Double - Hung	\$
	2 & 3 lite slider	\$
	Fixed Glass	\$
	Sliding Patio Door	\$

ACCESSORIES		
20	Half Screens	\$ 41 <u>943</u>
	Full Screens	\$ 62
23	Solar Zone Elite Low-E Glass/Argon	\$ 157 <u>361</u>
	Tint: Gray/Bronze	\$ 73
	Flat Colonial Grids	\$ 94
	Contoured Colonial Grids	\$ 104
	Beige Color	\$ 94
	Wood Grain, Interior (4000 or 6000)	\$ 136
	Architectural Exterior Color	\$ 209

FIXED GLASS		
	Series 4000 Pic Insulated > 101UI	\$ 367
	Series 4000 Pic Insulated > 102 - 120 UI	\$ 409
	Series 4000 Pic Insulated > 120 +	\$ 587

SPECIALTY		
	(.85 Multiplier)	
7	Steel CASEMENT Removal	\$ 25.00 ea <u>175</u>

MISCELLANEOUS		
	J Channal Application	\$ 89
	Custom Exterior Cap & Wrap	\$ 119
23	Removal/ Installation/ Trim Packs	\$ 129 <u>2967</u>
	Mull to Form Mull-Unit	\$ 79 <u>632</u>
11	Tempered DH Sash (BSO) (TSO)	\$ 62 <u>682</u>
	Tempered (Fixed Units)	\$ 13/Sq. Ft.
2	Obscured Glass	\$ 73 <u>143</u>
	Engineering Fee	\$ 589
	DP50 High Performance upgrade	\$ 65
	60/40 Oriol Style	\$ 73
23	Bucking - per opening	\$ 79 <u>1017</u>
	Stucco Cut Outs \$30 per opening	
	2nd Story Install \$30 p/window/ \$125 p/door	
	Less than 3 windows	\$ 179.00
	3 or more windows	\$ 259.00
	Entry Doors	\$ 150.00

PATIO DOORS		
	3" Contemporary .5" Classic .7" French	
	Vinyl Sliding Patio Door 5' x 6' 8"	\$ 1028
	Vinyl Sliding Patio Door 6' x 6' 8"	\$ 1143
	Vinyl Sliding Patio Door 8' x 6' 8"	\$ 1312
	Vinyl Sliding Patio Door 9' x 6' 8"	\$ 1689
	Vinyl Sliding Patio Door 12' x 6' 8"	\$ 2277
	Vinyl Sliding Patio Door 5' x 8'	\$ 1458
	Vinyl Sliding Patio Door 6' x 8'	\$ 1731
	Vinyl Sliding Patio Door 8' x 8'	\$ 2617
	Vinyl Sliding Patio Door 9' x 8'	\$ 2854
	Vinyl Sliding Patio Door 12' x 8'	\$ 3329
	Sliding Door Screen	\$ 178
	Colonial Grids	\$ 220
	Solar Zone Elite Low-E / Argon	\$ 339
	Removal & Install	\$ 389
	Custom Exterior Trim	\$ 179
	Beige Color	\$ 304
	Architectural Exterior Color (6'-9')	\$ 759
	Specialty Sliding Door	
	Blinds 5' - \$675 6' - \$850 8' - \$975 9' - \$1225 12' - \$1500	

Customer agrees to make themselves available to the city and/or county Inspectors for a final inspection

!! NO EXTRA WORK IF NOT IN WRITING !!
*Received plywood code
Please see reverse for additional terms & conditions

St. Jude's Donation \$ _____
Other \$ _____
Setup & Disposal Fee \$ \$ 125.00
Permit & Fees \$ \$ 328.00
Total Amount \$ \$ 1640.00
Custom Order Deposit 50% \$ \$ 820.00
Balance Paid to Installer upon Completion \$ \$ 820.00

Window World Representative _____ Date _____
White Copy - Original
Owner _____ Date _____
Yellow Copy - Customer
CHECK RETURN FEE \$59
Buyer agrees that he has read and understands all terms and conditions on front and back of this contract and agrees to every term and condition

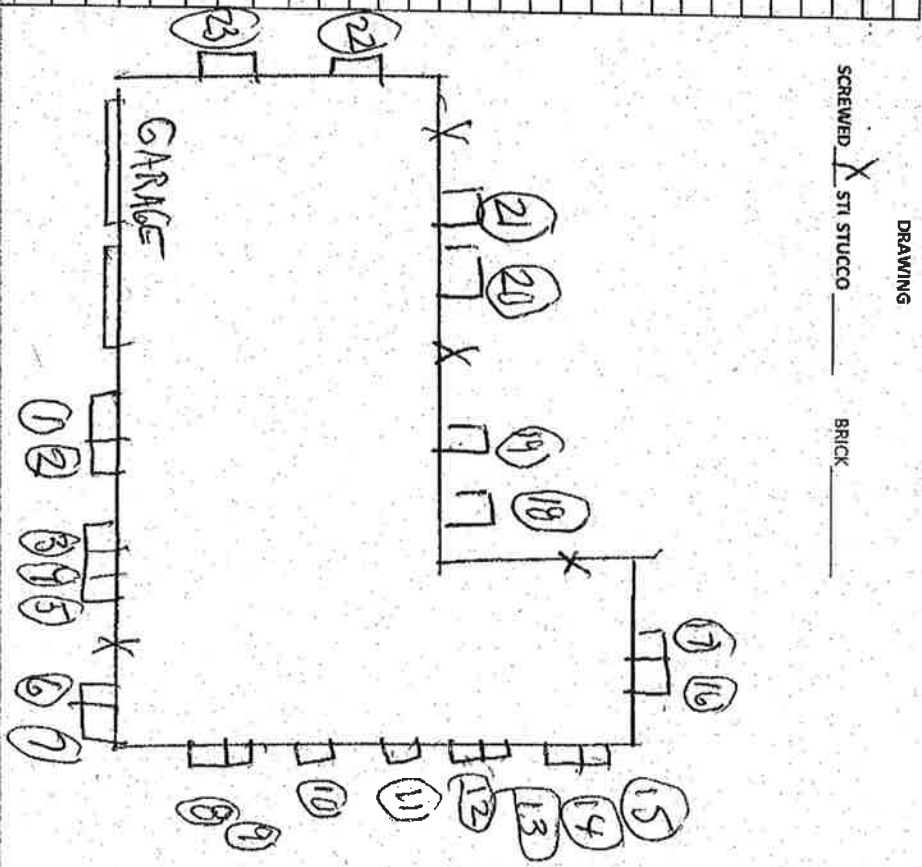
WINDOW MEASUREMENTS

NAME: CARRELL WHITESCARVER # OF STORIES: 1 MEASURED BY: STEVE KLEIN DATE: 4/16/21

TYPE OF CONSTRUCTION: BLOCK TYPE OF WINDOWS: ALUM # OF WINDOWS: 23

SIZE (W X H)	MODEL	LEG	OBSURED	TEMP	GRID	ML	FS	ROOM
1 35 3/4 X 75 1/8	ST3001			TB				DR
2 35 3/4 X 75 1/8	ST3001			TB				DR
3 35 3/4 X 75 1/8	ST3001			TB				LR
4 35 3/4 X 75 1/8	ST3001			TB				LR
5 35 3/4 X 75 1/8	ST3001			TB				LR
6 35 5/8 X 75 1/8	ST3001			TB				MBR
7 35 5/8 X 75 1/8	ST3001			TB				MBR
8 35 3/4 X 37 1/8	ST3001							MBR
9 35 3/4 X 37 1/8	ST3001							MBR
10 35 1/2 X 37 1/8	ST3001			TF				M BATH
11 25 X 37	ST3001			TF				BATH
12 35 3/4 X 37	ST3001							BR1
13 35 3/4 X 37	ST3001							BR1
14 35 3/4 X 37 1/8	ST3001							BR2
15 35 3/4 X 37 1/8	ST3001							BR2
16 35 3/4 X 37	ST3001							BR2
17 35 3/4 X 37	ST3001							BR2
18 51 3/4 X 49 1/4	ST3001							FR
19 51 3/4 X 49 1/4	ST3001							FR
20 35 1/2 X 37 1/8	ST3001							KITCH
21 51 3/4 X 49 1/4	ST3001							KITCH
22 36 X 37 1/4	ST3001							GARAGE
23 36 X 37 1/4	ST3001							GARAGE
24								
25								
26								
27								
28								

INSTALLERS NOTES:
EIGHT MULLS.
BELE ISLE NEEDS BUCKING



FRONT ELEVATION



City of Belle Isle

Universal Engineering Sciences 3532 Maggie Blvd., Orlando, FL 32811
 Tel 407-581-8161 * Fax 407-581-0313 * www.universalengineering.com

Product Approval Form

DATE: ~~Feb~~ 4.24.21

PERMIT # 2021-04-107

PROJECT ADDRESS 5032 Ruben Ave

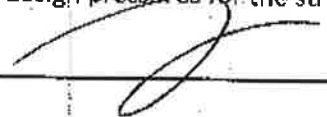
Belle Isle, FL 32809 32812

As required by Florida Statue 553.842 and Florida Administrative Code 9B-72m, please provide the information and approval numbers of the building components listed below if they will be utilized on the building or structure. FL Approved products are listed online at www.floridabuilding.org or can be obtained from the local product supplier. The following information must be turned in with permit application and available onsite for inspections:

1. This Product Approval Cover Sheet
2. Internet screen from FloridaBuilding.org showing PA#, approval and code edition stamped
3. Manufacturer's installation details from FloridaBuilding.org and requirements for each product stamped

Product Type	Manufacturer	Model/Series	FL Product Approval #	Product Type	Manufacturer	Model/Series	FL Product Approval #
EXTERIOR DOORS				WALL PANELS			
Swinging				Sliding			
Sliding				Soffits			
Sectional/Rollup				Storefront			
Other				Glass Block			
				Other			
WINDOWS				ROOFING PRODUCTS			
Single/Double Hung	AMI	3001	FL11720-9	Asphalt Shingles			
Horizontal Slider				Non Struct Metal			
Casement				Roofing Tiles			
Fixed				Single Ply Roof			
Mullion	AMI	Mull	FL120781	Underlayment			
Skylights				Other			
Other							
STRUCTURAL COMPONENTS				OTHER			
Wood Connectors							
Wood Anchors							
Truss Plates							
Insulation Forms							
Lintels							
Other							

It is the applicant's responsibility to verify that specific products have been installed in accordance with their limitations and with the minimum required design pressures for the structure. Specific compliance will be verified during field inspections.

Applicant Signature 

Date 4.26.21



[BCIS Home](#) |
 [Log In](#) |
 [User Registration](#) |
 [Hot Topics](#) |
 [Submit Surcharge](#) |
 [Stats & Facts](#) |
 [Publications](#) |
 [Contact Us](#) |
 [BCIS Site Map](#) |
 [Links](#) |
 [Search](#)



Product Approval
USER: Public User

[Product Approval Menu](#) >
 [Product or Application Search](#) >
 [Application List](#) >
 Application Detail

OFFICE OF THE SECRETARY

FL #	FL11720-R19										
Application Type	Revision										
Code Version	2020										
Application Status	Approved										
Comments											
Archived	<input type="checkbox"/>										
Product Manufacturer	Associated Materials Inc.										
Address/Phone/Email	3773 State Road Cuyahoga Falls, OH 44223 (330) 922-2108 rickw@rwblgdgconsultants.com										
Authorized Signature	Vivian Wright rickw@rwblgdgconsultants.com										
Technical Representative											
Address/Phone/Email											
Quality Assurance Representative											
Address/Phone/Email											
Category	Windows										
Subcategory	Double Hung										
Compliance Method	Evaluation Report from a Florida Registered Architect or a Licensed Florida Professional Engineer <input type="checkbox"/> Evaluation Report - Hardcopy Received										
Florida Engineer or Architect Name who developed the Evaluation Report	Lyndon F. Schmidt, P.E.										
Florida License	PE-43409										
Quality Assurance Entity	Architectural Testing, Inc., an Intertek Company										
Quality Assurance Contract Expiration Date	12/31/2023										
Validated By	Ryan J. King, P.E. <input checked="" type="checkbox"/> Validation Checklist - Hardcopy Received										
Certificate of Independence	FL11720_R19_COI_(d)_Certificate_of_Independence.pdf										
Referenced Standard and Year (of Standard)	<table border="0"> <thead> <tr> <th>Standard</th> <th>Year</th> </tr> </thead> <tbody> <tr> <td>ANSI/AAMA/NWWDA 101/I.S.2/A440</td> <td>2008</td> </tr> <tr> <td>ANSI/AAMA/NWWDA 101/I.S.2/A440</td> <td>2011</td> </tr> <tr> <td>ASTM E1886</td> <td>2013</td> </tr> <tr> <td>ASTM E1996</td> <td>2017</td> </tr> </tbody> </table>	Standard	Year	ANSI/AAMA/NWWDA 101/I.S.2/A440	2008	ANSI/AAMA/NWWDA 101/I.S.2/A440	2011	ASTM E1886	2013	ASTM E1996	2017
Standard	Year										
ANSI/AAMA/NWWDA 101/I.S.2/A440	2008										
ANSI/AAMA/NWWDA 101/I.S.2/A440	2011										
ASTM E1886	2013										
ASTM E1996	2017										
Equivalence of Product Standards Certified By											
Sections from the Code											

Product Approval Method

Method 1 Option D

Date Submitted 09/26/2020
 Date Validated 09/28/2020
 Date Pending FBC Approval 10/09/2020
 Date Approved 12/15/2020

Summary of Products

FL #	Model, Number or Name	Description
11720.1	a. Model 0301	Extruded Vinyl Double Hung Window with Nail Fin - "Non-Impact"
Limits of Use Approved for use in HVHZ: No Approved for use outside HVHZ: Yes Impact Resistant: No Design Pressure: N/A Other: This Product is No Longer Offered by Associated Materials, Inc. See [R-16] 11720.1 - 2017 FBC version for Historical Documents regarding this Approval.		Installation Instructions FL11720_R19_II_Inst_Product Offering (11720.1).pdf Verified By: Lyndon F. Schmidt, P.E. 43409 Created by Independent Third Party: Yes Evaluation Reports FL11720_R19_AE_Eval_Product Offering (11720.1).pdf Created by Independent Third Party: Yes
11720.2	b. Model 0501	Extruded Vinyl Double Hung Window - "Non-Impact"
Limits of Use Approved for use in HVHZ: No Approved for use outside HVHZ: Yes Impact Resistant: No Design Pressure: N/A Other: See INST 11720.2 for Design Pressure Ratings, any additional use limitations, installation instructions and product particulars.		Installation Instructions FL11720_R19_II (f) Inst 11720.2.pdf Verified By: Lyndon F. Schmidt, P.E. 43409 Created by Independent Third Party: Yes Evaluation Reports FL11720_R19_AE (f) Eval 11720.2.pdf Created by Independent Third Party: Yes
11720.3	c. Model 0501 HP	Extruded Vinyl Double Hung Window - "Non-Impact"
Limits of Use Approved for use in HVHZ: No Approved for use outside HVHZ: Yes Impact Resistant: No Design Pressure: N/A Other: See INST 11720.3 for Design Pressure Ratings, any additional use limitations, installation instructions and product particulars.		Installation Instructions FL11720_R19_II (f) Inst 11720.3.pdf Verified By: Lyndon F. Schmidt, P.E. 43409 Created by Independent Third Party: Yes Evaluation Reports FL11720_R19_AE (f) Eval 11720.3.pdf Created by Independent Third Party: Yes
11720.4	d. Model O601	Extruded Vinyl Double Hung Window - "Non-Impact"
Limits of Use Approved for use in HVHZ: No Approved for use outside HVHZ: Yes Impact Resistant: No Design Pressure: N/A Other: See INST 11720.4 for Design Pressure Ratings, any additional use limitations, installation instructions and product particulars.		Installation Instructions FL11720_R19_II (f) Inst 11720.4.pdf Verified By: Lyndon F. Schmidt, P.E. 43409 Created by Independent Third Party: Yes Evaluation Reports FL11720_R19_AE (f) Eval 11720.4.pdf Created by Independent Third Party: Yes
11720.5	e. Model 8001 / 8E01	Extruded Vinyl Double Hung Window - "Non-Impact"
Limits of Use Approved for use in HVHZ: No Approved for use outside HVHZ: Yes Impact Resistant: No Design Pressure: N/A Other: See INST 11720.5 for Design Pressure Ratings, any additional use limitations, installation instructions and product particulars.		Installation Instructions FL11720_R19_II (f) Inst 11720.5.pdf Verified By: Lyndon F. Schmidt, P.E. 43409 Created by Independent Third Party: Yes Evaluation Reports FL11720_R19_AE (f) Eval 11720.5.pdf Created by Independent Third Party: Yes
11720.6	f. Model 9001 / 9E01	Extruded Vinyl Double Hung Window - "Non-Impact"
Limits of Use Approved for use in HVHZ: No Approved for use outside HVHZ: Yes Impact Resistant: No Design Pressure: N/A Other: See INST 11720.6 for Design Pressure Ratings, any additional use limitations, installation instructions and product particulars.		Installation Instructions FL11720_R19_II (f) Inst 11720.6.pdf Verified By: Lyndon F. Schmidt, P.E. 43409 Created by Independent Third Party: Yes Evaluation Reports FL11720_R19_AE (f) Eval 11720.6.pdf Created by Independent Third Party: Yes
11720.7	g. Model "i" 201 / "i" 201HP	Extruded Vinyl "Tilt" Double Hung Window - "Non-Impact"
Limits of Use Approved for use in HVHZ: No Approved for use outside HVHZ: Yes Impact Resistant: No		Installation Instructions FL11720_R19_II (f) Inst 11720.7.pdf Verified By: Lyndon F. Schmidt, P.E. 43409 Created by Independent Third Party: Yes

<p>Design Pressure: N/A Other: See INST 11720.7 for Design Pressure Ratings, any additional use limitations, installation instructions and product particulars.</p>		<p>Evaluation Reports FL11720_R19_AE (f) Eval 11720.7.pdf Created by Independent Third Party: Yes</p>
<p>11720.8</p>	<p>h. Model "i" 201 / "i" 201HP</p>	<p>Extruded Vinyl "Tilt" Double Hung Window - "Impact"</p>
<p>Limits of Use Approved for use in HVHZ: No Approved for use outside HVHZ: Yes Impact Resistant: Yes Design Pressure: N/A Other: See INST 11720.8 for Design Pressure Ratings, any additional use limitations, installation instructions and product particulars.</p>		<p>Installation Instructions FL11720_R19_II (f) Inst 11720.8.pdf Verified By: Lyndon F. Schmidt, P.E. 43409 Created by Independent Third Party: Yes Evaluation Reports FL11720_R19_AE (f) Eval 11720.8.pdf Created by Independent Third Party: Yes</p>
<p>11720.9</p>	<p>i. Model 3001 / 3B01 / 3A01 / 3AB1 "ST"</p>	<p>Extruded Vinyl Double Hung "Replacement" Window - "Non-Impact"</p>
<p>Limits of Use Approved for use in HVHZ: No Approved for use outside HVHZ: Yes Impact Resistant: No Design Pressure: N/A Other: See INST 11720.9 for Design Pressure Ratings, any additional use limitations, installation instructions and product particulars.</p>		<p>Installation Instructions FL11720_R19_II (f) Inst 11720.9.pdf Verified By: Lyndon F. Schmidt, P.E. 43409 Created by Independent Third Party: Yes Evaluation Reports FL11720_R19_AE (f) Eval 11720.9.pdf Created by Independent Third Party: Yes</p>
<p>11720.10</p>	<p>j. Model 3001 / 3A01 "ST"</p>	<p>Extruded Vinyl Double Hung "New Construction" (Nail Fin) Window - "Non-Impact"</p>
<p>Limits of Use Approved for use in HVHZ: No Approved for use outside HVHZ: Yes Impact Resistant: No Design Pressure: N/A Other: See INST 11720.10 for Design Pressure Ratings, any additional use limitations, installation instructions and product particulars.</p>		<p>Installation Instructions FL11720_R19_II (f) Inst 11720.10.pdf Verified By: Lyndon F. Schmidt, P.E. 43409 Created by Independent Third Party: Yes Evaluation Reports FL11720_R19_AE (f) Eval 11720.10.pdf Created by Independent Third Party: Yes</p>
<p>11720.11</p>	<p>k. Model "i" 301 / "i" 301HP</p>	<p>Extruded Vinyl "Tilt" Double Hung Window - "Non-Impact"</p>
<p>Limits of Use Approved for use in HVHZ: No Approved for use outside HVHZ: Yes Impact Resistant: No Design Pressure: N/A Other: This Product is No Longer Offered by Associated Materials, Inc. See [R-16] 11720.11 - 2017 FBC version for Historical Documents regarding this Approval.</p>		<p>Installation Instructions FL11720_R19_II Inst. Product Offering (11720.11).pdf Verified By: Lyndon F. Schmidt, P.E. 43409 Created by Independent Third Party: Yes Evaluation Reports FL11720_R19_AE Eval. Product Offering (11720.11).pdf Created by Independent Third Party: Yes</p>
<p>11720.12</p>	<p>l. Model "i" 301 / "i" 301HP</p>	<p>Extruded Vinyl Double Hung Window with Nail Fin - "Impact"</p>
<p>Limits of Use Approved for use in HVHZ: No Approved for use outside HVHZ: Yes Impact Resistant: Yes Design Pressure: N/A Other: This Product is No Longer Offered by Associated Materials, Inc. See [R-16] 11720.12 - 2017 FBC version for Historical Documents regarding this Approval.</p>		<p>Installation Instructions FL11720_R19_II Inst. Product Offering (11720.12).pdf Verified By: Lyndon F. Schmidt, P.E. 43409 Created by Independent Third Party: Yes Evaluation Reports FL11720_R19_AE Eval. Product Offering (11720.12).pdf Created by Independent Third Party: Yes</p>
<p>11720.13</p>	<p>m. Model 8001 HP</p>	<p>Extruded Vinyl Double Hung Window - "Non-Impact"</p>
<p>Limits of Use Approved for use in HVHZ: No Approved for use outside HVHZ: Yes Impact Resistant: No Design Pressure: N/A Other: See INST 11720.13 for Design Pressure Ratings, any additional use limitations, installation instructions and product particulars.</p>		<p>Installation Instructions FL11720_R19_II (f) Inst 11720.13.pdf Verified By: Lyndon F. Schmidt, P.E. 43409 Created by Independent Third Party: Yes Evaluation Reports FL11720_R19_AE (f) Eval 11720.13.pdf Created by Independent Third Party: Yes</p>

[Back](#) [Next](#)

Contact Us :: [2601 Blair Stone Road, Tallahassee FL 32399](#) Phone: 850-487-1824

The State of Florida is an AA/EEO employer. [Copyright 2007-2013 State of Florida](#). :: [Privacy Statement](#) :: [Accessibility Statement](#) :: [Refund Statement](#)

Under Florida law, email addresses are public records. If you do not want your e-mail address released in response to a public-records request, do not send electronic mail to this entity. Instead, contact the office by phone or by traditional mail. If you have any questions, please contact 850.487.1395. *Pursuant to Section 455.275 (1), Florida Statutes, effective October 1, 2012, licensees licensed under Chapter 455, F.S. must provide the Department with an email address if they have one. The emails provided may be used for official communication with the licensee. However email addresses are public record. If you do not wish to supply a personal address, please provide the Department with an email address which can be made available to the public. To determine if you are a licensee under Chapter 455, F.S., please click [here](#).

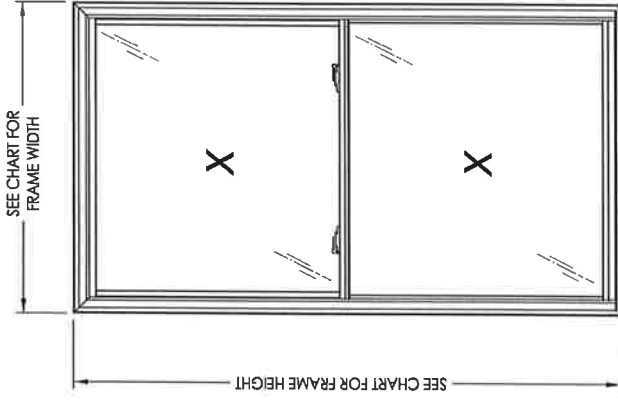


**MODEL 3001/3B01/3A01/3AB1 "ST"
EXTRUDED VINYL
DOUBLE HUNG "Replacement" WINDOW
"NON-IMPACT"**

GENERAL NOTES

1. This product has been evaluated and is in compliance with the 7th Edition (2020) Florida Building Code (FBC) structural requirements excluding the "High Velocity Hurricane Zone" (HVHZ).
2. Product anchors shall be as listed and spaced as shown on details. Anchor embedment to base material shall be beyond wall dressing or stucco.
3. When used in areas requiring wind borne debris protection this product is required to be protected with an impact resistant covering that complies with FBC Sections 1609.1.2 & R301.2.1.2.
4. For 2x stud framing construction, anchoring of these units shall be the same as that shown for 2x buck masonry construction.
5. Site conditions that deviate from the details of this drawing require further engineering analysis by a licensed engineer or registered architect.

TABLE OF CONTENTS	
SHEET#	DESCRIPTION
1	Typical elevations, design pressures & general notes
2	Horizontal cross sections
3	Vertical cross sections
4	Buck and frame anchoring
5	Bill of materials, components and glazing detail



OVERALL FRAME DIMENSION	MAX. D.L.O. (TOP)	MAX. D.L.O. (BOTTOM)	No. LOCKS	GLASS TYPE	DESIGN PRESSURE (PSF)	
					POSITIVE	NEGATIVE
36.0" x 60.0"	29.12" x 25.63"	30.12" x 24.75"	2	G1	+50.0	-60.0
36.0" x 72.0"	29.12" x 31.63"	30.12" x 32.75"	2	G1	+45.0	-45.0
36.0" x 78.0"	29.12" x 34.63"	30.12" x 35.75"	2	G1	+40.0	-40.0
44.0" x 72.0"	37.12" x 31.63"	38.12" x 32.75"	2	G1	+40.0	-40.0
48.0" x 72.0"	41.12" x 31.63"	42.12" x 32.75"	2	G1	+35.0	-35.0
44.0" x 75.0"	37.12" x 33.13"	38.12" x 34.25"	1	G1	+25.0	-25.0
44.0" x 75.0"	37.12" x 33.13"	38.12" x 34.25"	2	G1	+30.0	-30.0
52.0" x 62.0"	45.12" x 24.63"	46.12" x 27.75"	2	G1	+30.0	-30.0
48.0" x 84.0"	41.12" x 37.63"	42.12" x 38.75"	2	G1	+25.0	-25.0
44.0" x 96.0"	37.12" x 43.63"	38.12" x 44.75"	2	G1	+25.0	-25.0
52.0" x 96.0"	45.12" x 43.63"	46.12" x 44.75"	2	G1	+15.0	-15.0

September 24, 2020
Documents Prepared By: Lyndon F. Schmidt
P.E. No. 43409
F. SCHMIDT
LICENSE
No. 43408
FLORIDA
PROFESSIONAL ENGINEER

BUILDING CONSULTANTS, INC.
P.O. Box 230, Vero Beach, FL 33595
Phone No.: 813.659.9197
FBPE Registry No. 9813

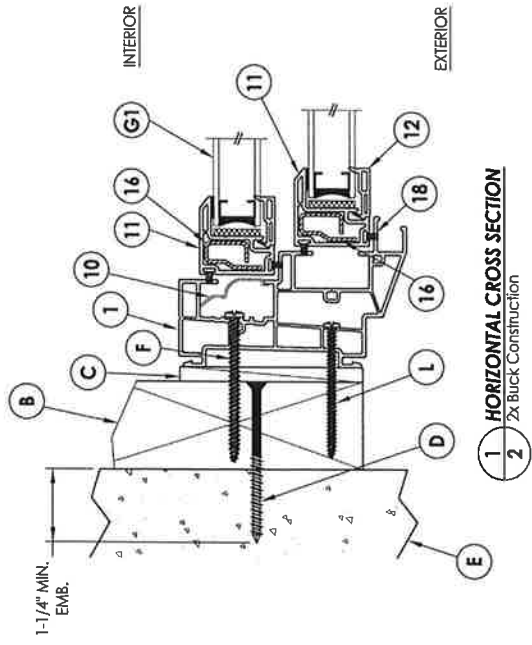
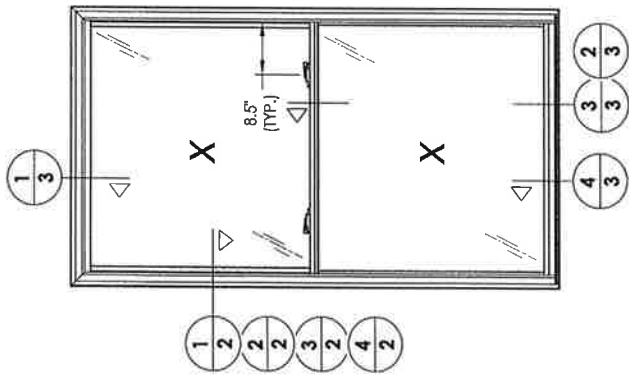
PRODUCT:	DOUBLE HUNG WINDOW
PART OR ASSEMBLY:	TYPICAL ELEVATION, DESIGN PRESSURES & GENERAL NOTES
DATE:	11/13/19
NO:	8
DATE:	7/18/16
NO:	5
DATE:	8/09/17
NO:	6
DATE:	8/18/20
NO:	7
DATE:	11/13/19
NO:	8

September 24, 2020
 Documents Prepared By:
 Lyndon F. Schmidt
 P.E. No. 43409
 F.S. SCHMIDT
 FLORIDA
 PROFESSIONAL ENGINEER
 No. 43409
 LUCERNE

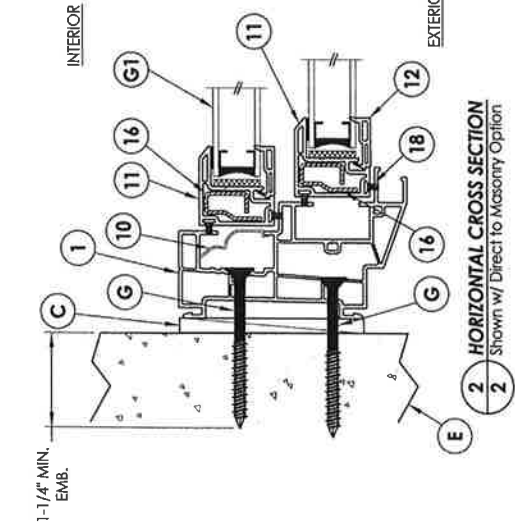
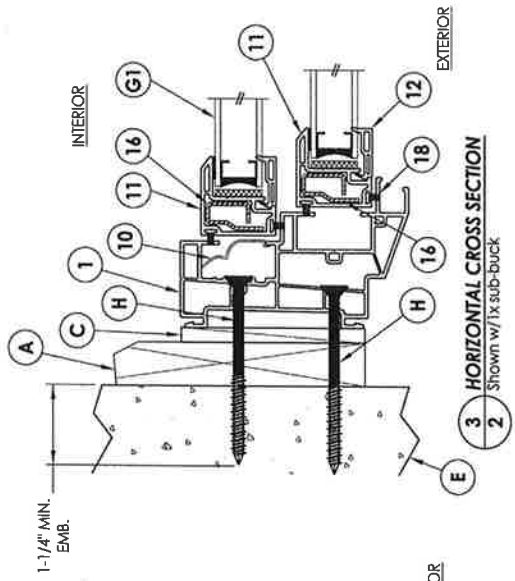
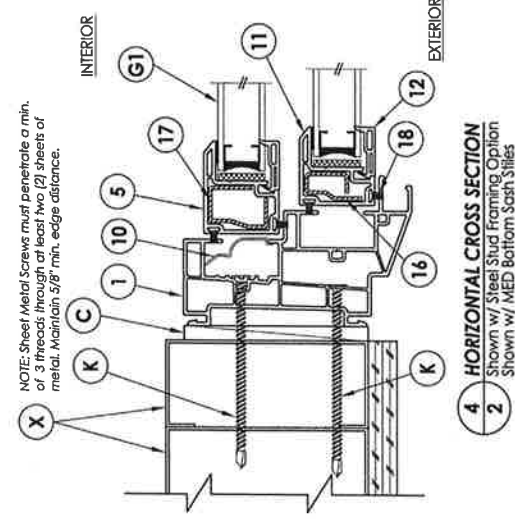
BUILDING CONSULTANTS, INC.
 P.O. Box 230, Vero Beach, FL 33595
 Phone No.: 813.659.197
 FBPE Registry No. 9813

PRODUCT:	DOUBLE HUNG WINDOW
PART OR ASSEMBLY:	HORIZONTAL CROSS SECTIONS

NO.	DATE	REVISIONS
8	8/18/20	UPDATE TO 7TH ED. (2020) FBC DAC
7	11/13/19	REVISED DRAWING (NEW TESTING) LFS
6	8/09/17	UPDATE TO 6TH ED. (2017) FBC LFS
5	7/18/16	UPDATE B.O.M. & ADD COMP. S. JK
4		
3		
2		
1		



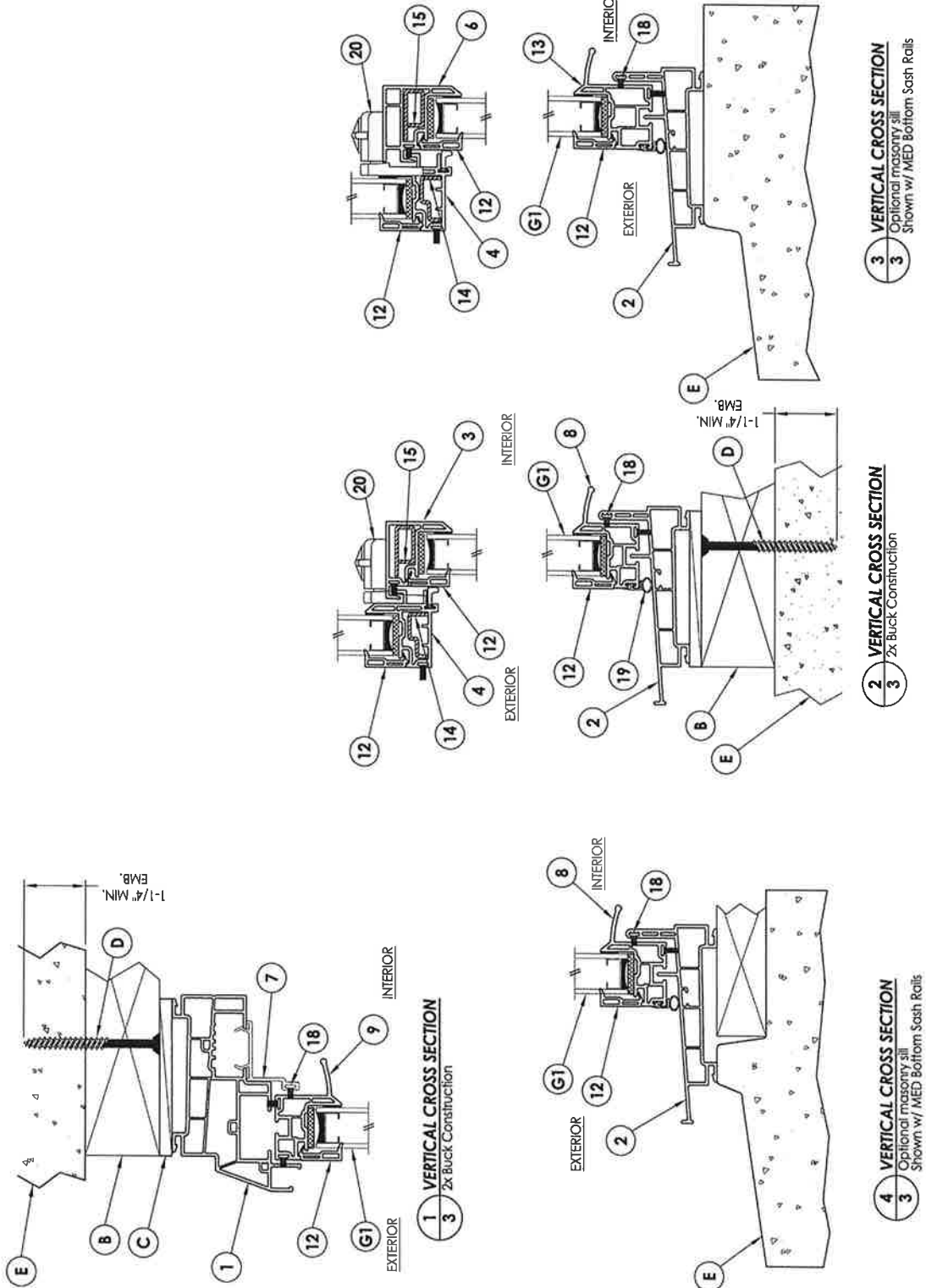
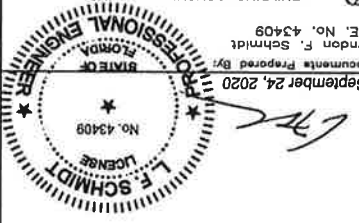
NOTES: Sheet Metal Screws must penetrate a min. of 3 inches from edge of each wood sheet or metal. Maintain 5/8" max. edge distance.



REVISIONS	
NO.	DATE
5	7/18/16
6	8/09/17
7	11/13/19
8	8/18/20

DATE: 11/12/13
 SCALE: N.T.S.
 DWG. BY: JK
 CHK. BY: LFS
 DRAWING NO.: FL-11720.9
 SHEET 3 of 5

PART OR ASSEMBLY: DOUBLE HUNG WINDOW
 PRODUCT: VERTICAL CROSS SECTIONS
 BUILDING CONSULTANTS, INC.
 P.O. Box 230, Valrico, FL 33595
 Phone No.: 813.658.8187
 FBPE Registry No. 8813
 September 24, 2020
 Documents Prepared By: Lynden F. Schmidt
 P.E. No. 43409



September 24, 2020
 Documents Prepared By: Lynden F. Schmidt
 P.E. No. 43409
 L.F. SCHMIDT
 PROFESSIONAL ENGINEER
 STATE OF FLORIDA
 LICENSE No. 43409

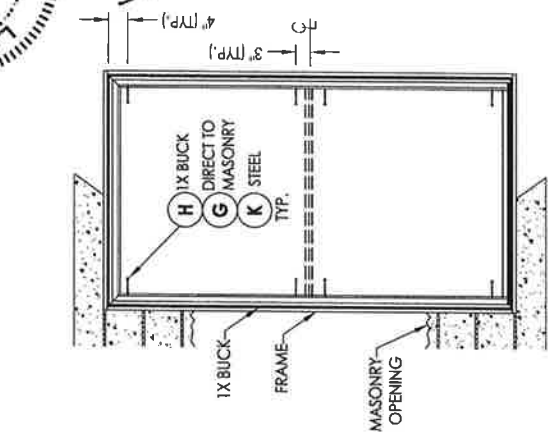
BUCK & FRAME ANCHORING
 PART OR ASSEMBLY: LFS
 DOUBLE HUNG WINDOW
 PRODUCT: LFS

REVISIONS
 NO. DATE BY
 5 7/18/16 UPDATE R.O.M. & ADD COMP'S JK
 6 8/09/17 UPDATE TO 6TH ED. (2017) FBC LFS
 7 11/13/19 REVISED DRAWING (NEW TESTING) LFS
 8 8/18/20 UPDATE TO 7TH ED. (2020) FBC DAC

DATE: 11/12/13
 SCALE: N.T.S.
 DWG. BY: JK
 CHK. BY: LFS

DRAWING NO.: FL-11720.9
 SHEET 4 OF 5

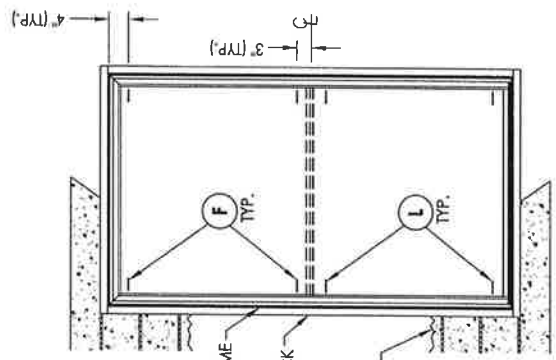
2013 R.W. BUILDING CONSULTANTS, INC.



FRAME ANCHORING
 (1X Buck, Direct to Masonry, Steel Stud)



FRAME ANCHORING
 (2X Buck)



BUCK ANCHORING

- CONCRETE ANCHOR NOTES:**
- Concrete anchor locations of the corners may be adjusted to maintain the min. edge distance to mortar joints.
 - Concrete anchor locations noted as "MAX. ON CENTER" must be adjusted to maintain the min. edge distance to mortar joints, additional concrete anchors may be required to ensure the "MAX. ON CENTER" dimension are not exceeded.
 - Concrete anchor table:

ANCHOR TYPE	ANCHOR SIZE	MIN. EMBEDMENT	MIN. CLEARANCE TO MASONRY EDGE	MIN. CLEARANCE TO ADJACENT ANCHOR
ITW	1/4"	1-1/4"	2"	4"
TAPCON®	1/4"	1-1/4"	1"	4"
DeWALT ULTRACON®	1/4"	1-1/4"		

WOOD SCREW INSTALLATION NOTES:

- Maintain a minimum 5/8" edge distance, 1" end distance, & 1" o.c. spacing of wood screws to prevent the splitting of wood.

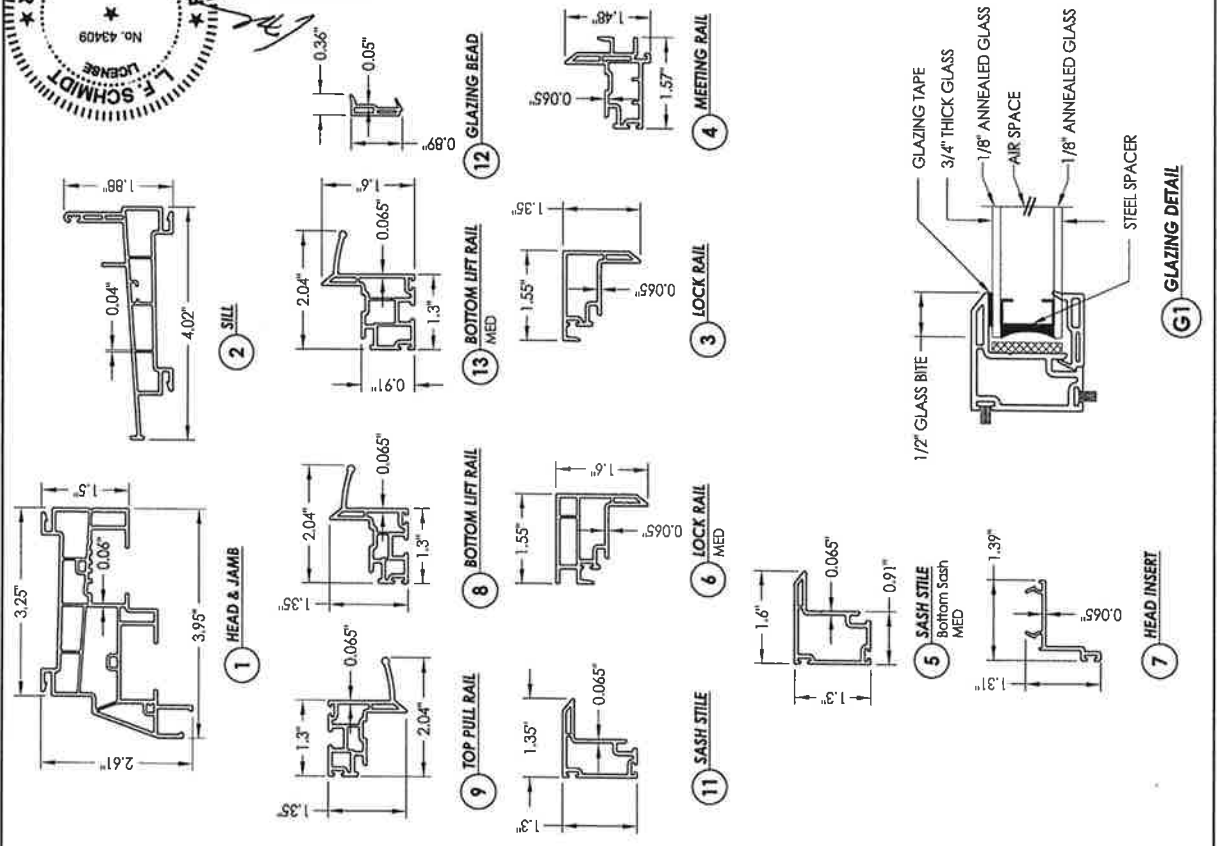
September 24, 2020
 Documents Prepared By:
 F. Schmidt
 London, Ontario
 P.E. No. 43409
 PROFESSIONAL ENGINEER
 L.F. SCHMIDT
 No. 43409
 L.F. License
 BUILDING CONSULTANTS, INC.
 P.O. Box 230, Waterloo, ON N2L 2Y1
 Phone No.: 813.658.9177
 FPPE Registry No. 9813

PRODUCT: DOUBLE HUNG WINDOW
 PART OR ASSEMBLY:
 BILL OF MATERIALS, COMMENTS AND GLAZING DETAIL

NO.	DATE	DESCRIPTION
1	11/12/13	DATE
2	11/13/19	REVISED DRAWING (NEW TESTING)
3	09/17	UPDATE TO 8TH ED. (2017) FBC
4	11/18/19	UPDATE B.O.M. & ADD COMPS.
5		

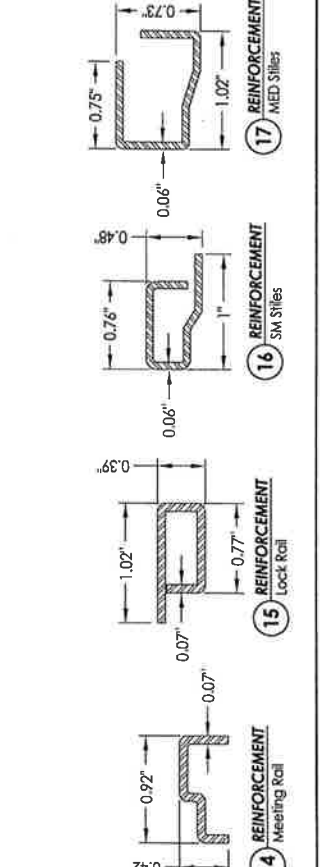
REVISIONS

SCALE: N.T.S.
 DWG. BY: JK
 CHK. BY: LFS
 DRAWING NO.: FL-11720.9
 SHEET 5 OF 5



ITEM #	DESCRIPTION	MATERIAL
A	1X BUCK [SG >= 0.42]	WOOD
B	2X BUCK [SG >= 0.42]	WOOD
C	1/4" MAX. SHIM SPACE	
D	1/4" X 2-3/4" PFH DEWALT OR ITW CONCRETE SCREW	STEEL
E	MASONRY - 3,000 PSI MIN. CONCRETE CONFORMING TO ACI 301 OR HOLLOW BLOCK CONFORMING TO ASTM C90	CONCRETE
F	# 10 X 2-1/2" PFH WOOD SCREW (1-3/8" MIN. EMBEDMENT)	STEEL
G	1/4" X 2-3/4" PFH DEWALT OR ITW CONCRETE SCREW	STEEL
H	1/4" X 3-1/4" PFH DEWALT OR ITW CONCRETE SCREW	STEEL
K	# 10 PFH SELF-DRILLING SMS	STEEL
L	# 10 X 2-1/4" PFH WOOD SCREW (1-5/16" MIN. EMBEDMENT)	STEEL
X	STEEL STUD Min. THK. 0.033" (ASTM A653 GRADE 33 Fy=33 Ksi Min, Fu=45 Ksi Min)	STEEL
1	EXTRUDED VINYL HEAD AND JAMB *	RIGID PVC
2	EXTRUDED VINYL SILL *	RIGID PVC
3	EXTRUDED VINYL LOCK RAIL *	RIGID PVC
4	EXTRUDED VINYL MEETING RAIL *	RIGID PVC
5	EXTRUDED VINYL SASH STILE (MED) *	RIGID PVC
6	EXTRUDED VINYL LOCK RAIL (MED) *	RIGID PVC
7	EXTRUDED VINYL HEAD INSERT *	RIGID PVC
8	EXTRUDED VINYL BOTTOM LIFT RAIL *	RIGID PVC
9	EXTRUDED VINYL TOP PULL RAIL *	RIGID PVC
10	BALANCE COVER	
11	EXTRUDED VINYL SASH STILE *	RIGID PVC
12	GLAZING BEAD *	
13	EXTRUDED VINYL BOTTOM LIFT RAIL (MED) *	RIGID PVC
14	REINFORCEMENT - MEETING RAIL	STEEL
15	REINFORCEMENT - LOCK RAIL	STEEL
16	REINFORCEMENT - SASH STILE	STEEL
17	REINFORCEMENT - MED. STILE	STEEL
18	WEATHERSTRIP (FN PILE)	
19	WEATHERSTRIP (VINYL BULB)	VINYL
20	CAM LOCK	STEEL

* THE APPROVED WHITE RIGID PVC EXTERIOR EXTRUSIONS FOR WINDOWS ARE TO BE PRODUCED BY EXTRUDERS LICENSEES IN "AAMA CERTIFICATION PROGRAMS FOR RIGID PVC EXTRUSIONS".





[DBPR HOME](#) | [ABOUT DBPR](#) | [DBPR DIVISIONS](#) | [CONTACT DBPR](#)
[BCIS Home](#) | [Log In](#) | [User Registration](#) | [Hot Topics](#) | [Submit Surcharge](#) | [Stats & Facts](#) | [Publications](#) | [Contact Us](#) | [BCIS Site Map](#) | [Links](#) | [Search](#)



Product Approval
USER: Public User

[Product Approval Menu](#) > [Product or Application Search](#) > [Application List](#) > **Application Detail**

OFFICE OF THE SECRETARY

FL #	FL12078-R7
Application Type	Revision
Code Version	2020
Application Status	Approved
Comments	
Archived	<input type="checkbox"/>
Product Manufacturer	Associated Materials Inc.
Address/Phone/Email	3773 State Road Cuyahoga Falls, OH 44223 (330) 922-2108 rickw@rwbdgconsultants.com
Authorized Signature	Vivian Wright rickw@rwbdgconsultants.com
Technical Representative	
Address/Phone/Email	
Quality Assurance Representative	
Address/Phone/Email	
Category	Windows
Subcategory	Mullions
Compliance Method	Evaluation Report from a Florida Registered Architect or a Licensed Florida Professional Engineer <input type="checkbox"/> Evaluation Report - Hardcopy Received
Florida Engineer or Architect Name who developed the Evaluation Report	Lyndon F. Schmidt, P.E.
Florida License	PE-43409
Quality Assurance Entity	Architectural Testing, Inc., an Intertek Company
Quality Assurance Contract Expiration Date	12/31/2021
Validated By	Ryan J. King, P.E. <input checked="" type="checkbox"/> Validation Checklist - Hardcopy Received
Certificate of Independence	FL12078_R7_COI_(b)_Certificate_of_Independence.pdf
Referenced Standard and Year (of Standard)	
Equivalence of Product Standards Certified By	
Sections from the Code	1709.8
Product Approval Method	Method 2 Option B
Date Submitted	10/02/2020

Date Validated 10/05/2020
 Date Pending FBC Approval 10/10/2020
 Date Approved 12/15/2020

Summary of Products

FL #	Model, Number or Name	Description
12078.1	a. 3100 Structural Mullion	Extruded Aluminum Clipped Mullion for use on Masonry or Wood Openings utilizing the Goal Post (at head and sill) Style Mounting Bracket
Limits of Use Approved for use in HVHZ: No Approved for use outside HVHZ: Yes Impact Resistant: Yes Design Pressure: N/A Other: Mullion Design Pressure varies according to muller window size. Refer to EVAL 12078.1 and INST 12078.1 for Mullion Design Pressure Ratings, any additional use limitations, installation instructions and product particulars.		Installation Instructions FL12078 R7 II (b) Inst 12078.1.pdf Verified By: Lyndon F. Schmidt, P.E. 43409 Created by Independent Third Party: Yes Evaluation Reports FL12078 R7 AE (b) Eval 12078.1.pdf Created by Independent Third Party: Yes
12078.2	b. 3100 Structural Mullion	Extruded Aluminum Clipped Mullion for use on Wood Openings utilizing the Goal Post (at Sill) and the Bull Nose (at head) Style Mounting Brackets
Limits of Use Approved for use in HVHZ: No Approved for use outside HVHZ: Yes Impact Resistant: Yes Design Pressure: N/A Other: Mullion Design Pressure varies according to muller window size. Refer to EVAL 12078.2 and INST 12078.2 for Mullion Design Pressure Ratings, any additional use limitations, installation instructions and product particulars.		Installation Instructions FL12078 R7 II (b) Inst 12078.2.pdf Verified By: Lyndon F. Schmidt, P.E. 43409 Created by Independent Third Party: Yes Evaluation Reports FL12078 R7 AE (b) Eval 12078.2.pdf Created by Independent Third Party: Yes
12078.3	c. 3100 Structural Transom Mullion	Extruded Aluminum Clipped Mullion for use on Masonry or Wood Openings utilizing the Goal Post (at head and sill) Style Mounting Bracket
Limits of Use Approved for use in HVHZ: No Approved for use outside HVHZ: Yes Impact Resistant: Yes Design Pressure: N/A Other: Mullion Design Pressure varies according to muller window size. Refer to EVAL 12078.3 and INST 12078.3 for Mullion Design Pressure Ratings, any additional use limitations, installation instructions and product particulars.		Installation Instructions FL12078 R7 II (b) Inst 12078.3.pdf Verified By: Lyndon F. Schmidt, P.E. 43409 Created by Independent Third Party: Yes Evaluation Reports FL12078 R7 AE (b) Eval 12078.3.pdf Created by Independent Third Party: Yes
12078.4	d. 3100 Structural Transom Mullion	Extruded Aluminum Clipped Mullion for use on Wood Openings utilizing the Goal Post (at Sill) and the Bull Nose (at head) Style Mounting Brackets
Limits of Use Approved for use in HVHZ: No Approved for use outside HVHZ: Yes Impact Resistant: Yes Design Pressure: N/A Other: Mullion Design Pressure varies according to muller window size. Refer to EVAL 12078.4 and INST 12078.4 for Mullion Design Pressure Ratings, any additional use limitations, installation instructions and product particulars.		Installation Instructions FL12078 R7 II (b) Inst 12078.4.pdf Verified By: Lyndon F. Schmidt, P.E. 43409 Created by Independent Third Party: Yes Evaluation Reports FL12078 R7 AE (b) Eval 12078.4.pdf Created by Independent Third Party: Yes
12078.5	e. "i" Series Structural Mullion	Extruded Aluminum Clipped Mullion for use on Wood and Masonry Openings utilizing the Goal Post (at Head and Sill) Style Mounting Brackets
Limits of Use Approved for use in HVHZ: No Approved for use outside HVHZ: Yes Impact Resistant: Yes Design Pressure: N/A Other: Mullion Design Pressure varies according to muller window size. Refer to EVAL 12078.5 and INST 12078.5 for Mullion Design Pressure Ratings, any additional use limitations, installation instructions and product particulars.		Installation Instructions FL12078 R7 II (b) Inst 12078.5.pdf Verified By: Lyndon F. Schmidt, P.E. 43409 Created by Independent Third Party: Yes Evaluation Reports FL12078 R7 AE (b) Eval 12078.5.pdf Created by Independent Third Party: Yes
12078.6	f. "i" Series Structural Transom Mullion	Extruded Aluminum Clipped Mullion for use on Wood and Masonry Openings utilizing the Goal Post Style Mounting Brackets
Limits of Use Approved for use in HVHZ: No Approved for use outside HVHZ: Yes Impact Resistant: Yes		Installation Instructions FL12078 R7 II (b) Inst 12078.6.pdf Verified By: Lyndon F. Schmidt, P.E. 43409 Created by Independent Third Party: Yes

<p>Design Pressure: N/A Other: Mullion Design Pressure varies according to mullion window size. Refer to EVAL 12078.6 and INST 12078.6 for Mullion Design Pressure Ratings, any additional use limitations, installation instructions and product particulars.</p>		<p>Evaluation Reports FL12078 R7 AE (b) Eval 12078.6.pdf Created by Independent Third Party: Yes</p>
<p>12078.7</p>	<p>g. "C-Class" Series Structural Mullion</p>	<p>Clipped Steel 2.0", 2.25" and 2.5" Bar Mullion for use on Wood and Masonry Openings</p>
<p>Limits of Use Approved for use in HVHZ: No Approved for use outside HVHZ: Yes Impact Resistant: Yes Design Pressure: N/A Other: Mullion Design Pressure varies according to mullion window size. Refer to EVAL 12078.7 and INST 12078.7 for Mullion Design Pressure Ratings, any additional use limitations, installation instructions and product particulars.</p>		<p>Installation Instructions FL12078 R7 II (b) Inst 12078.7.pdf Verified By: Lyndon F. Schmidt, P.E. 43409 Created by Independent Third Party: Yes Evaluation Reports FL12078 R7 AE (b) Eval 12078.7.pdf Created by Independent Third Party: Yes</p>

[Back](#) [Next](#)

Contact Us :: [7601 Blair Stone Road, Tallahassee FL 32399](#) Phone: 850-487-1824

The State of Florida is an AA/EEO employer. [Copyright 2007-2013 State of Florida](#). :: [Privacy Statement](#) :: [Accessibility Statement](#) :: [Refund Statement](#)

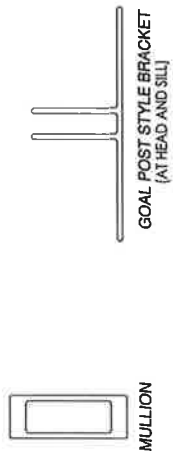
Under Florida law, email addresses are public records. If you do not want your e-mail address released in response to a public-records request, do not send electronic mail to this entity. Instead, contact the office by phone or by traditional mail. If you have any questions, please contact 850.487.1395. *Pursuant to Section 455.275 (1), Florida Statutes, effective October 1, 2012, licensees licensed under Chapter 455, F.S. must provide the Department with an email address if they have one. The emails provided may be used for official communication with the licensee. However email addresses are public record. If you do not wish to supply a personal address, please provide the Department with an email address which can be made available to the public. To determine if you are a licensee under Chapter 455, F.S., please click [here](#).



Credit Card
Safe



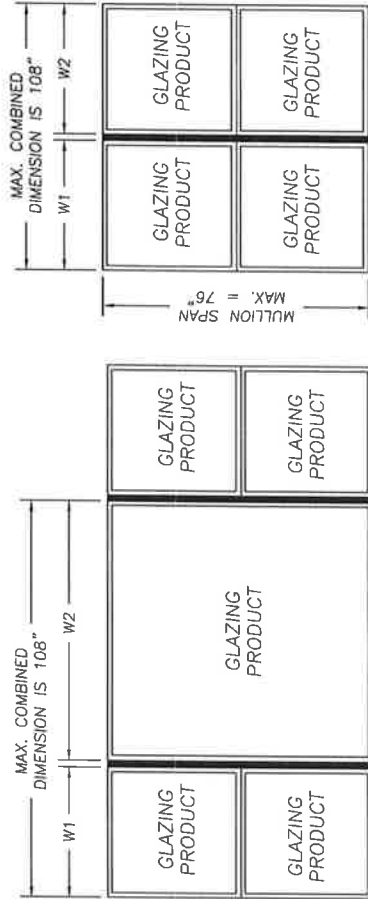
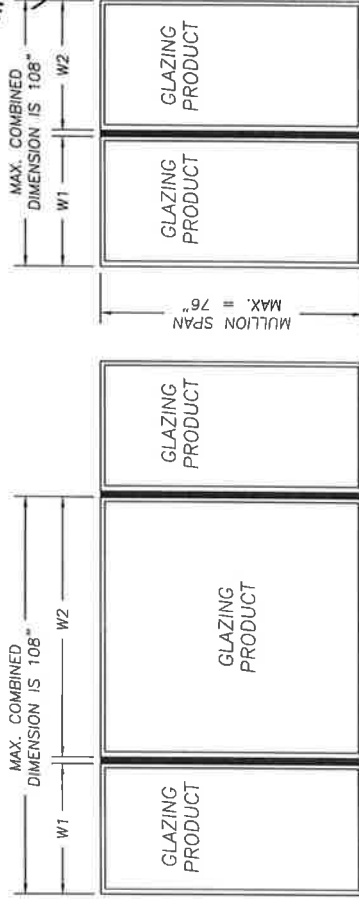
3100 STRUCTURAL MULLION



GENERAL NOTES:

- This product has been evaluated and is in compliance with the 7th Edition (2020) Florida Building Code (FBC) excluding the "High Velocity Hurricane Zone" and conforms to the requirements of FBC Chapter 17.
- Wood bucks by others, must be anchored properly to transfer loads to the structure and be reviewed by the Building Official.
- Mullion anchor embedment to base material shall be beyond wall dressing or stucco.
- When used in areas requiring wind borne debris protection, this product does not require protection from an impact resistant covering when used in Wind Zones 1, 2 and 3 as defined by ASTM E 1996; in Wind Zone 4, as defined by ASTM E 1996, this product must be protected with an impact resistant covering complying with FBC Sections 1409.1.2 & R301.2.1.2.
- Separate product approvals for each glazing product used with these mullions must be submitted along with this mullion product approval.
- Anchoring of each glazing product to the mullion shall be as shown in each individual glazing product approval.
- Any conditions not covered in this evaluation are subject to separate engineering evaluation.
- Mullion Design Pressure Rating, see Load Rating Table Sheets 2 and 3 of this drawing.
- The design pressure rating of the assembly shall be the lesser of the load capacity of the mullion as determined using this approval or the design pressure rating of the individual glazing products used.
- Bounding box dimensions for geometric shapes must be equal to or less than the rectangular dimensions shown herein.

TABLE OF CONTENTS	
SHEET #	DESCRIPTION
1	TYPICAL ELEVATIONS & GENERAL NOTES
2	MULLION LOAD TABLE FOR WOOD SCREW ANCHORS
3	MULLION LOAD TABLE FOR CONCRETE SCREW ANCHORS
4	MULLION SECTION AND ANCHORING DETAILS



TYPICAL MULLION CONFIGURATIONS

Professional Engineer
 L. F. SCHMIDT
 No. 43409
 Florida
 License

Documents Prepared By:
 London F. Schmidt
 P.E. No. 43409

Sept. 30, 2020

Building Consultants, Inc.
 P.O. Box 230, Vero Beach, FL 33595
 Phone No.: 813.659.9197
 FBPE Registry No. 9813

PRODUCT: 3100 STRUCTURAL MULLION

PART OR ASSEMBLY: TYPICAL ELEVATION AND GENERAL NOTES

NO.	DATE	DESCRIPTION
1	11/08/11	UPDATE TO 2010 FBC
2	3/03/13	UPDATE TO 5TH ED. (2014) FBC
3	5/09/16	ADD OFFSET ANCHOR BRACKET
4	7/27/17	UPDATE TO 6TH ED. (2017) FBC
5	9/30/20	UPDATE TO 7TH ED. (2020) FBC

DATE: 12/11/08

SCALE: NTS

DWG. BY: DWS

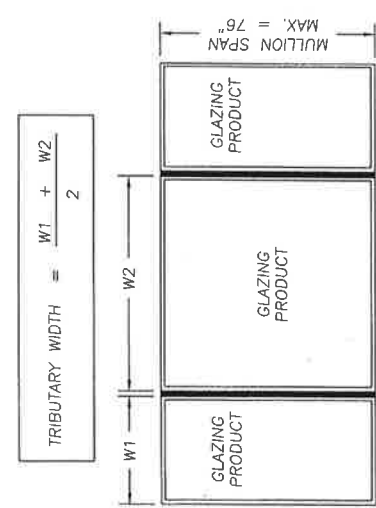
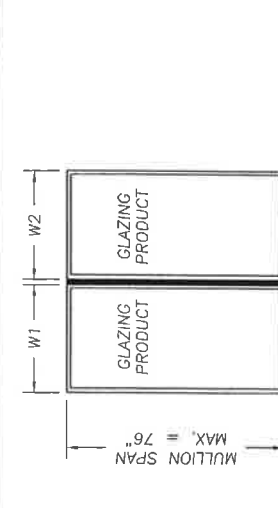
CHK. BY: LFS

DRAWING NO.: FL-12078.1

SHEET 1 OF 4

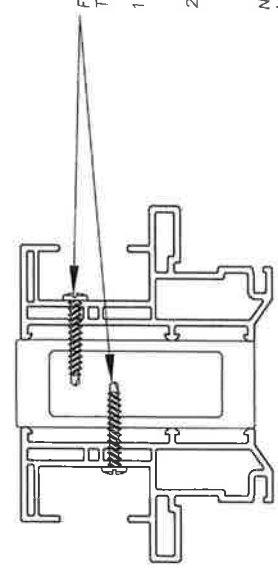
WOOD SCREW ANCHORS

MULLION SPAN	28"	30"	32"	34"	36"	38"	40"	42"	44"	46"	48"	50"	54"
76"	64.43	60.62	57.29	54.36	51.77	49.45	47.35	45.42	43.65	42.00	40.48	39.06	36.51
72"	76.25	71.78	67.87	64.43	61.38	58.64	56.14	53.83	51.71	49.75	47.93	46.24	43.20
70"	83.26	78.39	74.15	70.41	67.10	64.08	61.33	58.81	56.48	54.33	52.34	50.49	47.15
68"	91.15	85.95	81.23	77.16	73.52	70.20	67.17	64.40	61.84	59.48	57.29	55.26	51.60
66"	100.08	94.28	89.23	84.78	80.76	77.11	73.77	70.71	67.89	65.29	62.88	60.64	56.61
64"	110.20	103.86	98.33	93.42	88.97	84.92	81.23	77.85	74.73	71.86	69.20	66.73	62.26
62"	120.00	114.78	108.69	103.23	98.30	93.81	89.71	85.96	82.51	79.32	76.38	73.64	68.71
60"	120.00	120.00	120.00	114.44	108.95	103.95	99.39	95.22	91.38	87.84	84.57	81.53	76.06
58"	120.00	120.00	120.00	120.00	120.00	115.58	110.49	105.83	101.55	97.60	93.95	90.56	84.46
56"	120.00	120.00	120.00	120.00	120.00	120.00	120.00	118.04	112.94	108.03	103.53	99.38	92.02
54"	120.00	120.00	120.00	120.00	120.00	120.00	120.00	120.00	120.00	116.18	111.34	106.88	98.86
52"	120.00	120.00	120.00	120.00	120.00	120.00	120.00	120.00	120.00	120.00	120.00	115.26	106.72
50"	120.00	120.00	120.00	120.00	120.00	120.00	120.00	120.00	120.00	120.00	120.00	120.00	115.43
48"	120.00	120.00	120.00	120.00	120.00	120.00	120.00	120.00	120.00	120.00	120.00	120.00	120.00
46"	120.00	120.00	120.00	120.00	120.00	120.00	120.00	120.00	120.00	120.00	120.00	120.00	120.00
44"	120.00	120.00	120.00	120.00	120.00	120.00	120.00	120.00	120.00	120.00	120.00	120.00	120.00
42"	120.00	120.00	120.00	120.00	120.00	120.00	120.00	120.00	120.00	120.00	120.00	120.00	120.00
40"	120.00	120.00	120.00	120.00	120.00	120.00	120.00	120.00	120.00	120.00	120.00	120.00	120.00
38"	120.00	120.00	120.00	120.00	120.00	120.00	120.00	120.00	120.00	120.00	120.00	120.00	120.00
36"	120.00	120.00	120.00	120.00	120.00	120.00	120.00	120.00	120.00	120.00	120.00	120.00	120.00
34"	120.00	120.00	120.00	120.00	120.00	120.00	120.00	120.00	120.00	120.00	120.00	120.00	120.00
32"	120.00	120.00	120.00	120.00	120.00	120.00	120.00	120.00	120.00	120.00	120.00	120.00	120.00
30"	120.00	120.00	120.00	120.00	120.00	120.00	120.00	120.00	120.00	120.00	120.00	120.00	120.00
28"	120.00	120.00	120.00	120.00	120.00	120.00	120.00	120.00	120.00	120.00	120.00	120.00	120.00
26"	120.00	120.00	120.00	120.00	120.00	120.00	120.00	120.00	120.00	120.00	120.00	120.00	120.00
24"	120.00	120.00	120.00	120.00	120.00	120.00	120.00	120.00	120.00	120.00	120.00	120.00	120.00



INSTRUCTIONS FOR USE OF THE MULLION LOAD TABLE:

1. DETERMINE THE DESIGN LOAD REQUIREMENT FOR THE PARTICULAR OPENING AS SPECIFIED BY THE BUILDING DESIGNER (ARCHITECT OR ENGINEER OR RECORD).
2. FOR THE PARTICULAR OPENING, DETERMINE THE TRIBUTARY WIDTH AND MULLION SPAN. REFERENCE THE SKETCHES ON THIS SHEET FOR MULLION SPAN AND TRIBUTARY WIDTH DETERMINATION.
3. IN THE FIRST COLUMN OF THE TABLE, LOCATE THE MULLION SPAN. IN THE FIRST ROW OF THE TABLE, LOCATE THE TRIBUTARY WIDTH. AT THE INTERSECTION OF THE ROW CONTAINING THE MULLION SPAN AND THE COLUMN CONTAINING THE TRIBUTARY WIDTH, READ THE MULLION LOAD RATING GIVEN IN PSF. THE MULLION LOAD RATING MUST BE EQUAL TO OR GREATER THAN THE DESIGN LOAD REQUIREMENT DETERMINED IN STEP 1 ABOVE.



- FOR ANCHORING GLAZING PRODUCTS TO THE MULLION, ANCHOR SIZE AND SPACING SHALL BE AS SPECIFIED IN ONE OF THE FOLLOWING:
1. SUBSTITUTE (1 FOR 1) 1/4"-14 SELF-DRILLING SCREWS FOR THE FASTENERS SHOWN IN THE INDIVIDUAL GLAZING PRODUCT APPROVAL.
 2. SUBSTITUTE #8-18 PANHEAD SELF-DRILLING SCREWS FOR THE FASTENERS SHOWN IN THE INDIVIDUAL GLAZING PRODUCT APPROVAL. MAXIMUM FASTENER SPACING ALLOWED IS 6" FROM EACH END AND AT 15" O.C. MAX. SPACING.
- NOTE: A MINIMUM OF 3 THREADS OF THE SELF-DRILLING SCREWS MUST PROTRUDE THROUGH THE WALL OF THE MULLION. THIS SECTION VIEW IS SHOWN FOR ILLUSTRATIVE PURPOSES; OTHER FRAME SECTIONS OF FLORIDA APPROVED WINDOWS BY ALSIDE WINDOWS CAN BE USED IN THIS FASHION.

3100 STRUCTURAL MULLION LOAD TABLE (PSF)

DATE: 12/11/08
SCALE: NTS
CHK. BY: DWS
DRAWING NO.: FL-12078.1
SHEET 2 OF 4

PRODUCT: 3100 STRUCTURAL MULLION
PART OR ASSEMBLY: WOOD SCREW ANCHORS
BUILDING CONSULTANTS, INC.
P.O. Box 230, Vero Beach, FL 33595
FBPE Registry No. 9813
Professional Engineer
L. E. SCHMIDT
No. 43409
Sept. 30, 2020
Documents Prepared By: L. E. Schmidt
F. E. No. 43409

NO.	DATE	DESCRIPTION
5	9/30/20	UPDATE TO 2TH ED. (2020) FBC
4	2/27/17	UPDATE TO 6TH ED. (2017) FBC
3	3/03/15	UPDATE TO 5TH ED. (2014) FBC
2	5/09/16	ADD OFFSET ANCHOR BRACKET
1	11/08/11	UPDATE TO 2010 FBC

PROFESSIONAL ENGINEER
 L.F. SCHMIDT
 No. 43409
 License
 State of Florida
 Documents Prepared By: L.F. Schmidt
 P.E. No. 43409
 London, F. Schmidt
 Building Consultants, Inc.
 P.O. Box 230, Vero Beach, FL 33595
 Phone No: 813.659.8197
 FBPE Registry No. 9813

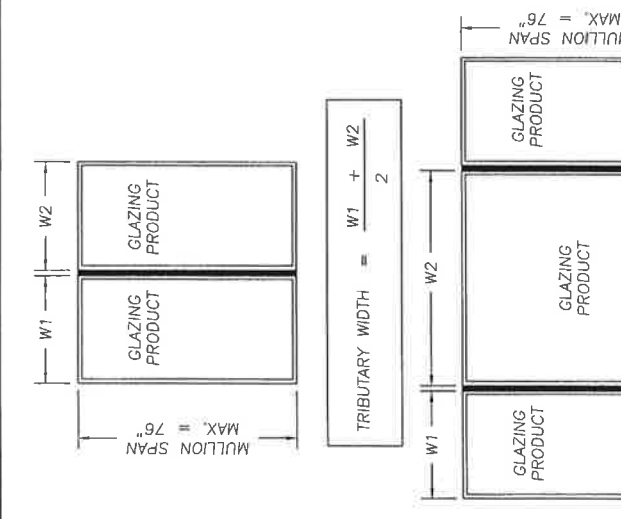
PRODUCT: 3100 STRUCTURAL MULLION
 PART OR ASSEMBLY: MULLION LOAD TABLE FOR CONCRETE SCREW ANCHORS

REVISIONS	
NO.	DATE
1	11/08/11
2	3/03/15
3	09/16
4	7/21/17
5	9/30/20

DATE: 12/11/08
 SCALE: NTS
 CHK. BY: DWS
 DRAWING NO.: FL-12078-1
 SHEET 3 OF 4

3100 STRUCTURAL MULLION LOAD TABLE (PSF)

CONCRETE SCREW ANCHORS	MULLION SPAN											
	28"	30"	32"	34"	36"	38"	40"	42"	44"	48"	50"	54"
76"	64.43	60.62	57.29	54.36	51.77	49.45	47.35	45.42	43.65	42.00	40.48	39.06
72"	70.94	67.37	64.29	61.60	59.26	57.14	55.17	53.33	51.61	49.75	47.90	46.24
70"	73.47	69.82	66.67	63.93	61.52	59.34	57.24	55.32	53.53	51.83	50.25	48.76
68"	76.19	72.45	69.23	66.44	63.93	61.60	59.44	57.43	55.54	53.78	52.13	50.57
66"	79.12	75.29	72.00	69.13	66.49	64.05	61.79	59.67	57.70	55.85	54.12	52.49
64"	82.29	78.37	75.00	72.00	69.23	66.67	64.29	62.07	60.00	58.06	56.25	54.55
62"	85.71	81.70	78.23	75.07	72.16	69.46	66.92	64.63	62.46	60.42	58.52	56.73
60"	89.44	85.33	81.70	78.37	75.29	72.45	69.82	67.37	65.08	62.95	60.95	59.08
58"	93.51	89.27	85.43	81.91	78.66	75.67	72.89	70.31	67.90	65.66	63.56	61.59
56"	97.96	93.51	89.44	85.71	82.29	79.12	76.19	73.47	70.94	68.57	66.36	64.29
54"	102.81	98.08	93.71	89.82	86.20	82.85	79.75	76.88	74.20	71.71	69.39	67.19
52"	108.07	103.04	98.46	94.27	90.42	86.88	83.60	80.56	77.73	75.10	72.64	70.33
50"	113.78	108.42	103.55	99.10	95.01	91.25	87.77	84.55	81.56	78.77	76.17	73.73
48"	120.00	114.29	109.09	104.36	100.00	96.00	92.31	88.89	85.71	82.76	80.00	77.42
46"	120.00	120.00	115.14	110.08	105.45	101.19	97.26	93.62	90.25	87.11	84.18	81.44
44"	120.00	120.00	120.00	116.36	111.41	106.86	102.67	98.80	95.21	91.87	88.75	85.84
42"	120.00	120.00	120.00	120.00	117.97	113.11	108.63	104.49	100.66	97.09	93.77	90.67
40"	120.00	120.00	120.00	120.00	120.00	120.00	115.20	110.77	106.67	102.86	99.31	96.00
38"	120.00	120.00	120.00	120.00	120.00	120.00	120.00	117.73	113.33	109.25	105.46	101.90
36"	120.00	120.00	120.00	120.00	120.00	120.00	120.00	120.00	120.00	116.36	112.28	108.47
34"	120.00	120.00	120.00	120.00	120.00	120.00	120.00	120.00	120.00	120.00	119.84	115.84
32"	120.00	120.00	120.00	120.00	120.00	120.00	120.00	120.00	120.00	120.00	120.00	120.00
30"	120.00	120.00	120.00	120.00	120.00	120.00	120.00	120.00	120.00	120.00	120.00	120.00
28"	120.00	120.00	120.00	120.00	120.00	120.00	120.00	120.00	120.00	120.00	120.00	120.00
26"	120.00	120.00	120.00	120.00	120.00	120.00	120.00	120.00	120.00	120.00	120.00	120.00
24"	120.00	120.00	120.00	120.00	120.00	120.00	120.00	120.00	120.00	120.00	120.00	120.00



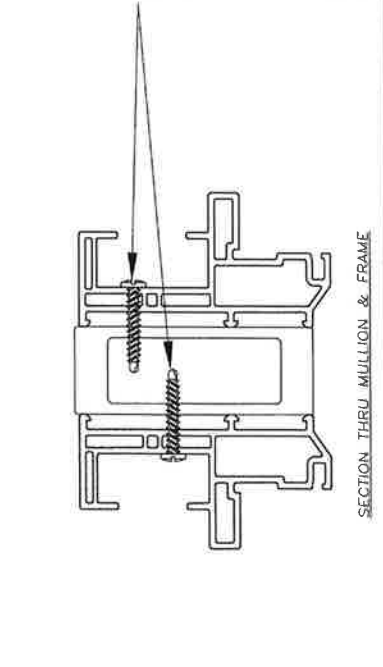
INSTRUCTIONS FOR USE OF THE MULLION LOAD TABLE:

- DETERMINE THE DESIGN LOAD REQUIREMENT FOR THE PARTICULAR OPENING AS SPECIFIED BY THE BUILDING DESIGNER (ARCHITECT OR ENGINEER OR RECORD).
- FOR THE PARTICULAR OPENING, DETERMINE THE TRIBUTARY WIDTH AND MULLION SPAN. REFERENCE THE SKETCHES ON THIS SHEET FOR MULLION SPAN AND TRIBUTARY WIDTH DETERMINATION.
- IN THE FIRST COLUMN OF THE TABLE, LOCATE THE MULLION SPAN. IN THE FIRST ROW OF THE TABLE, LOCATE THE TRIBUTARY WIDTH. AT THE INTERSECTION OF THE ROW CONTAINING THE MULLION SPAN AND THE COLUMN CONTAINING THE TRIBUTARY WIDTH, READ THE MULLION LOAD RATING GIVEN IN PSF. THE MULLION LOAD RATING MUST BE EQUAL TO OR GREATER THAN THE DESIGN LOAD REQUIREMENT DETERMINED IN STEP 1 ABOVE.

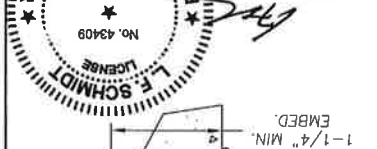
FOR ANCHORING GLAZING PRODUCTS TO THE MULLION, ANCHOR SIZE AND SPACING SHALL BE AS SPECIFIED IN ONE OF THE FOLLOWING:

- SUBSTITUTE (1 FOR 1) 1/4"-14 SELF-DRILLING SCREWS FOR THE FASTENERS SHOWN IN THE INDIVIDUAL GLAZING PRODUCT APPROVAL.
- SUBSTITUTE #8-18 PANHEAD SELF-DRILLING SCREWS FOR THE FASTENERS SHOWN IN THE INDIVIDUAL GLAZING PRODUCT APPROVAL. MAXIMUM FASTENER SPACING ALLOWED IS 6" FROM EACH END AND AT 15" O.C. MAX. SPACING.

NOTE: A MINIMUM OF 3 THREADS OF THE SELF-DRILLING SCREWS MUST PROTRUDE THROUGH THE WALL OF THE MULLION. THIS SECTION VIEW IS SHOWN FOR ILLUSTRATIVE PURPOSES; OTHER FRAME SECTIONS OF FLORIDA APPROVED WINDOWS BY ALSIDE WINDOWS CAN BE USED IN THIS FASHION.

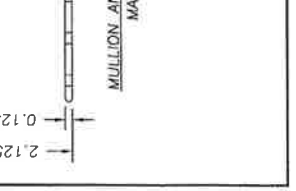
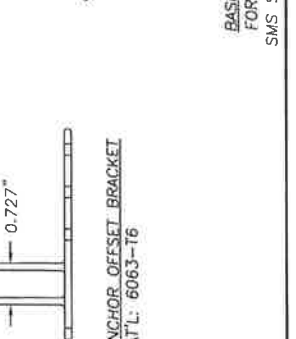
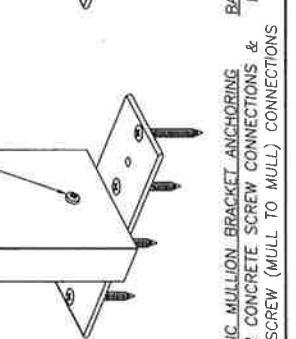
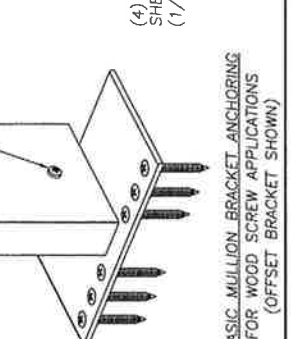
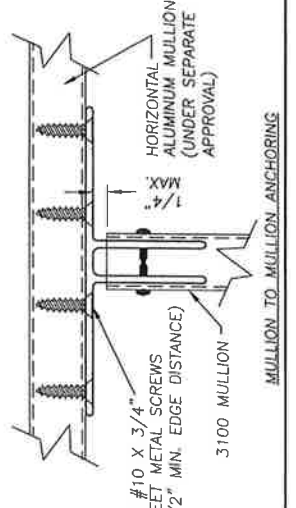
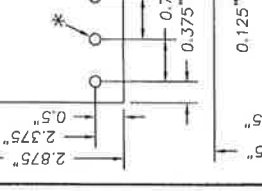
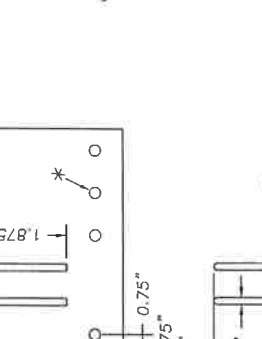
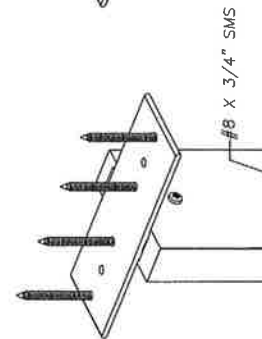
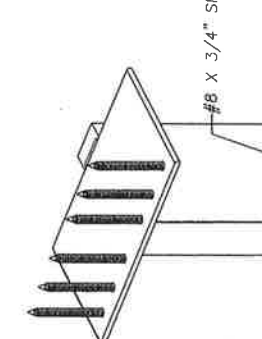
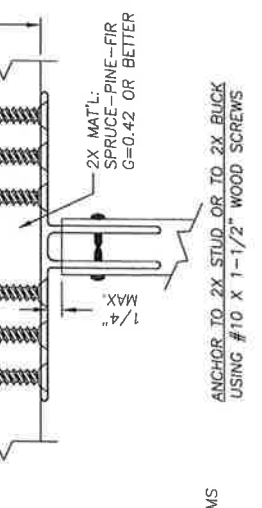
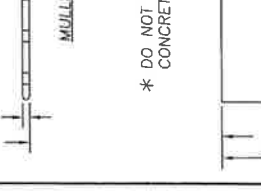
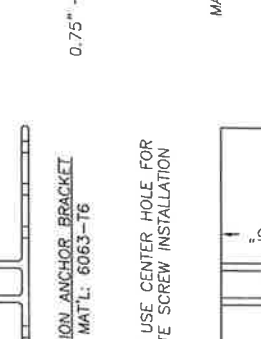
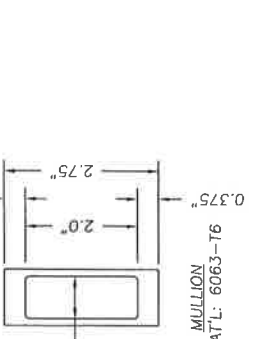
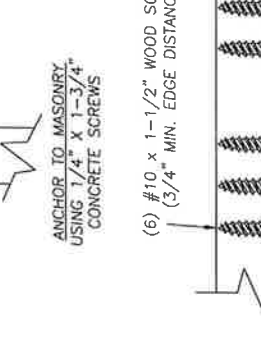
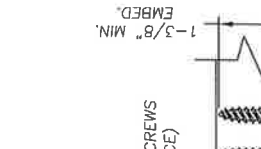
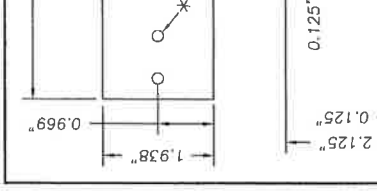
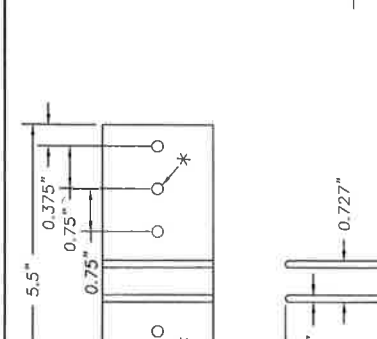
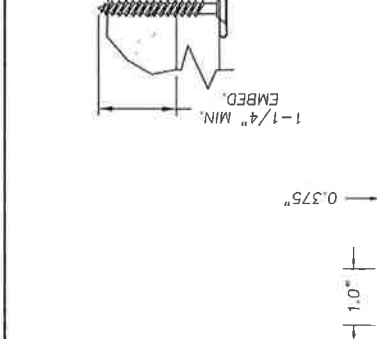
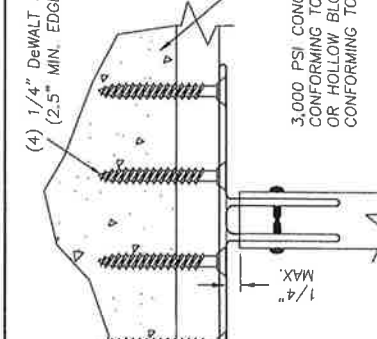
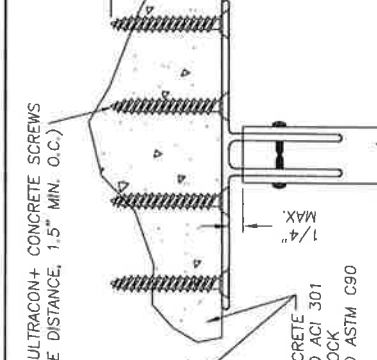
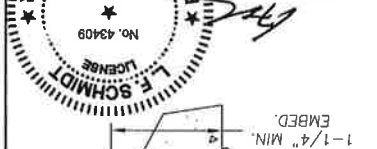


RCM
 BUILDING CONSULTANTS, INC.
 P.O. Box 230, Vero Beach, FL 33585
 Phone No.: 813.659.9197
 FBPE Registry No. 9813
 Documents Prepared by:
 Lynden F. Schmidt
 P.E. No. 43409
 Sept. 30, 2020



PRODUCT: 3100 STRUCTURAL MULLION
 PART OR ASSEMBLY:
 MULLION SECTION & ANCHORING DETAILS

NO.	DATE	DESCRIPTION
1	11/08/11	UPDATE TO 2010 FBC
2	5/03/15	UPDATE TO 5TH ED. (2014) FBC
3	5/09/16	ADD OFFSET ANCHOR BRACKET
4	2/27/17	UPDATE TO 6TH ED. (2017) FBC
5	9/30/20	UPDATE TO 7TH ED. (2020) FBC



* DO NOT USE CENTER HOLE FOR CONCRETE SCREW INSTALLATION

BASIC MULLION BRACKET ANCHORING FOR CONCRETE SCREW CONNECTIONS & SMS SCREW (MULL TO MULL) CONNECTIONS (OFFSET BRACKET SHOWN)

BASIC MULLION BRACKET ANCHORING FOR WOOD SCREW APPLICATIONS (OFFSET BRACKET SHOWN)

Ron DeSantis, Governor

Halsey Beshears, Secretary



STATE OF FLORIDA
DEPARTMENT OF BUSINESS AND PROFESSIONAL REGULATION

CONSTRUCTION INDUSTRY LICENSING BOARD

THE GENERAL CONTRACTOR LICENSE IS GRANTED UNDER THE
PROVISIONS OF CHAPTER 489, FLORIDA STATUTES



LICENSE NUMBER: GC1314205

EXPIRATION DATE: AUGUST 31, 2022

Always verify licenses online at MyFloridaLicense.com



Do not alter this document in any form.

This is your license. It is unlawful for anyone other than the licensee to use this document.



CERTIFICATE OF LIABILITY INSURANCE

DATE (MM/DD/YYYY)
07/09/2020

THIS CERTIFICATE IS ISSUED AS A MATTER OF INFORMATION ONLY AND CONFERS NO RIGHTS UPON THE CERTIFICATE HOLDER. THIS CERTIFICATE DOES NOT AFFIRMATIVELY OR NEGATIVELY AMEND, EXTEND OR ALTER THE COVERAGE AFFORDED BY THE POLICIES BELOW. THIS CERTIFICATE OF INSURANCE DOES NOT CONSTITUTE A CONTRACT BETWEEN THE ISSUING INSURER(S), AUTHORIZED REPRESENTATIVE OR PRODUCER, AND THE CERTIFICATE HOLDER.

IMPORTANT: If the certificate holder is an ADDITIONAL INSURED, the policy(ies) must have ADDITIONAL INSURED provisions or be endorsed. If SUBROGATION IS WAIVED, subject to the terms and conditions of the policy, certain policies may require an endorsement. A statement on this certificate does not confer rights to the certificate holder in lieu of such endorsement(s).

PRODUCER
 State Farm
MATTHEW F. CARLUCCI STATE FARM INS.
3707 HENDRICKS AVE.
JACKSONVILLE, FL 32207

CONTACT NAME:
PHONE (A/C No. Ext.): 904-399-5544
FAX (A/C No.): 904-399-1538
E-MAIL:
ADDRESS:

INSURED
WINDOW WORLD OF CENTRAL FL, INC.
3882 CENTER LOOP
ORLANDO, FL 32808

INSURER(S) AFFORDING COVERAGE		NAIC #
INSURER A:	State Farm Florida Insurance Company	10739
INSURER B:	State Farm Fire and Casualty Company	25143
INSURER C:		
INSURER D:		
INSURER E:		
INSURER F:		

COVERAGES **CERTIFICATE NUMBER:** **REVISION NUMBER:**
THIS IS TO CERTIFY THAT THE POLICIES OF INSURANCE LISTED BELOW HAVE BEEN ISSUED TO THE INSURED NAMED ABOVE FOR THE POLICY PERIOD INDICATED, NOTWITHSTANDING ANY REQUIREMENT, TERM OR CONDITION OF ANY CONTRACT OR OTHER DOCUMENT WITH RESPECT TO WHICH THIS CERTIFICATE MAY BE ISSUED OR MAY PERTAIN. THE INSURANCE AFFORDED BY THE POLICIES DESCRIBED HEREIN IS SUBJECT TO ALL THE TERMS, EXCLUSIONS AND CONDITIONS OF SUCH POLICIES. LIMITS SHOWN MAY HAVE BEEN REDUCED BY PAID CLAIMS.

INSR LTR	TYPE OF INSURANCE	AGG'L INSD	SUBR WVD	POLICY NUMBER	POLICY EFF (MM/DD/YYYY)	POLICY EXP (MM/DD/YYYY)	LIMITS	
A	<input checked="" type="checkbox"/> COMMERCIAL GENERAL LIABILITY <input type="checkbox"/> CLAIMS-MADE <input checked="" type="checkbox"/> OCCUR GEN'L AGGREGATE LIMIT APPLIES PER: <input type="checkbox"/> POLICY <input type="checkbox"/> PROJECT <input type="checkbox"/> LOC <input type="checkbox"/> OTHER			98-B3-6581-1	07/16/2020	07/16/2021	EACH OCCURRENCE DAMAGE TO RENTED PREMISES (Per occurrence)	\$ 2,000,000
							DAMAGE TO RENTED PREMISES (Per occurrence)	\$ 300,000
							MED EXP (Any one person)	\$ 5,000
							PERSONAL & ADV INJURY	\$
							GENERAL AGGREGATE	\$ 2,000,000
							PRODUCTS - COMP/OP AGG	\$ 2,000,000
							COMBINED SINGLE LIMIT (Per accident)	\$
							BODILY INJURY (Per person)	\$
							BODILY INJURY (Per accident)	\$
							PROPERTY DAMAGE (Per occurrence)	\$
								\$
							EACH OCCURRENCE	\$
							AGGREGATE	\$
								\$
B	WORKERS COMPENSATION AND EMPLOYERS' LIABILITY ANY PROPRIETOR/PARTNER/EXECUTIVE OFFICER/MEMBER EXCLUDED? (Mandatory in NH) If yes, describe under DESCRIPTION OF OPERATIONS below:			98-CA-T424-B	05/01/2020	05/01/2021	E.L. EACH ACCIDENT	\$ 1,000,000
							E.L. DISEASE - EA EMPLOYEE	\$ 1,000,000
							E.L. DISEASE - POLICY LIMIT	\$ 1,000,000

DESCRIPTION OF OPERATIONS / LOCATIONS / VEHICLES (ACORD 104, Additional Remarks Schedule, may be attached if more space is required)

CERTIFICATE HOLDER

CITY OF BELLE ISLE
1600 NEL AVE.
BELLE ISLE, FL 32809

CANCELLATION

SHOULD ANY OF THE ABOVE DESCRIBED POLICIES BE CANCELLED BEFORE THE EXPIRATION DATE THEREOF, NOTICE WILL BE DELIVERED IN ACCORDANCE WITH THE POLICY PROVISIONS.

AUTHORIZED REPRESENTATIVE



Local Business Tax Receipt

(Formerly known as "Business License "
changed per state law HB1269-2006)

Business Name
WINDOW WORLD OF CENTRAL FLORIDA
INC MICHAEL B TILLMAN CGC1514205
3882 CENTER LOOP
ORLANDO, FL 32808

Business Owner
WINDOW WORLD OF CENTRAL FLORIDA
INC MICHAEL B TILLMAN CGC1514205

Business Location
3882 CENTER LOOP
ORLANDO, FL

NOTICE-THIS TAX RECEIPT ONLY EVIDENCES
PAYMENT OF THE LOCAL BUSINESS TAX PURSUANT
TO CH.205, FLORIDA STATUTES. IT DOES NOT PERMIT
THE HOLDER TO OPERATE IN VIOLATION OF ANY CITY,
STATE, OR FEDERAL LAW. CITY PERMITTING MUST BE
NOTIFIED OF ANY MATERIAL CHANGE TO THE
INFORMATION FOUND HEREIN BELOW. THIS RECEIPT
DOES NOT CONSTITUTE AN ENDORSEMENT OR
APPROVAL OF THE HOLDER'S SKILL OR
COMPETENCY.

Case Number: BUS-0034480

Issued Date: 09/04/2020

Expiration Date: 09/30/2021

Business type(s):

Description	Year
CONTRA 1522 GENERAL CONTRACTOR	2021



Local Business Tax Receipt
City Hall, 400 South Orange Avenue, First Floor
Post Office Box 4990
Orlando, Florida 32802-4990

Phone: 407.246.2204 Fax: 407.246.3420

Email: businessstax@orlando.gov

Prompt Interactive Voice Response System: 407.246.4444
Visit our website: orlando.gov/permits