



# City of Belle Isle Job Site Card **ROOF PERMIT** 2020-04-020

Subdivision **NA**

Site Address: 5291 Chiswick Circle

Class: Residential

Parcel Number: 20-23-30-9372-00-700

=====  
**Description of Work:** ROOF for 8 x 10 shed - total square footage: 80 sf

**Number of Stories:** 1

=====  
**Issued:** Tuff Shed Inc (Saurey, Tom)

License # CBC1253645

Contact # 407 828 8444

Payment/ Issued Date & Method: 4 / 6 / 2020

Picked up by

email

Emailed

Visa

Master Card

Amex

Discover

Check / Money Order#

5567

## ROOF INSPECTOR DATE COMMENTS

<b>NEW ROOFS ONLY</b> Code 700 Deck Nailing, Dry-In, Flashing			This inspection only applies for a brand new roof only!
<b>Both new &amp; re-roof</b> Code 710 In - Progress			This inspection consists of all underlayment/black paper coverage and only <b>25% shingle coverage.</b>
<b>Both new &amp; re-roof</b> Code 720 Final			After the In Progress has been passed, <b>then the entire roof is covered</b> with shingles.

**PLEASE NOTE:** In order to schedule any inspections, the **PERMIT / plans-specs.** must be issued and **POSTED** on the **JOB SITE!** **THIS WILL AVOID ANY FAILED INSPECTIONS & RE-INSPECTION FEES.** A permit **expires** in 6 months if approved inspections are not recorded /scheduled within that time frame. You are responsible for scheduling and keeping track all of your inspections - ☆ Inspection requests are to be emailed to **BID scheduling@UniversalEngineering.com**; a confirmation email will be sent back to you upon scheduling. **Next-Day Inspection requests must be made by 3:00 p.m.** Please include the following requirements in your

request:

- Project Address
- Corresponding Permit Number
- Type of Inspection (Please reference your permit card for inspection codes)
- Date of Inspection (If no date is specified, the inspection will be scheduled for the next business day)
- Contact Name
- Contact Phone Number
- Gate / Entry code (If applicable)
- AM, PM, or Any Time (We do our best to accommodate time requests but cannot guarantee an exact arrival)

Universal Engineering Sciences - 3532 Maggie Blvd., Orlando, FL 32811407-581-8161 \* Fax 407-581-0313

**"WARNING TO OWNER: YOUR FAILURE TO RECORD A NOTICE OF COMMENCEMENT MAY RESULT IN YOUR PAYING TWICE FOR IMPROVEMENTS TO YOUR PROPERTY. IF YOU INTEND TO OBTAIN FINANCING, CONSULT WITH YOUR LENDER OR AN ATTORNEY BEFORE RECORDING YOUR NOTICE OF COMMENCEMENT."**



**City of Belle Isle**  
 Universal Engineering Sciences 3532 Maggie Blvd., Orlando, FL 32811  
 Tel 407-581-8161 \* Fax 407-581-0313 \* [www.universalengineering.com](http://www.universalengineering.com)

**RECEIVED**  
**APR 03 2020**

**APPLICATION FOR ROOFING PERMIT**

**WARNING TO OWNER: YOUR FAILURE TO RECORD A NOTICE OF COMMENCEMENT MAY RESULT IN YOUR PAYING TWICE FOR IMPROVEMENTS TO YOUR PROPERTY. A NOTICE OF COMMENCEMENT MUST BE RECORDED AND POSTED ON THE JOB SITE BEFORE THE FIRST INSPECTION. IF YOU INTEND TO OBTAIN FINANCING, CONSULT WITH YOUR LENDER OR AN ATTORNEY BEFORE RECORDING YOUR NOTICE OF COMMENCEMENT.**

DATE OF APPLICATION: 4-1-2020 ROOF PERMIT NUMBER 2020-04-020

PLEASE PRINT. The undersigned hereby applies for a permit to make installations as indicated below:

Project Address 5291 Chiswick Circle, Belle Isle, FL 32809  32812

Property Owner Mike + Rhonda Fitzgerald Phone (203) 890-8316

Property Owner's Mailing Address Same As above City \_\_\_\_\_

State \_\_\_\_\_ Zip Code \_\_\_\_\_ Parcel Id Number: 20-23-30-9372-00-700

REQUIRED! To obtain this information, please visit <http://www.ocpafl.org/Searches/ParcelSearch.aspx>

Class of Building: Old  New  Type of Building: Residential  Commercial  Other   
 Type of Work: New Roof  ReRoof

- **REQUIRED!** Florida Product Approval Form - NOTE: Installation instructions must be posted on-site before your first inspection!!
- OSHA Approved Access to the Roof must be made Available to the Inspector

Please indicate the nature of work by completing the information below:

Roof Square Footage: 80 Number of Stories: 1 Job Valuation: \$ 2,408 for shed including roof roof = 500.-  
 Type: Asphalt Shingles  Metal  Modified Bitumen  Other: \_\_\_\_\_

I hereby certify that the above is true and correct to the best of my knowledge and make Application for Permit as outlined above, and if same is granted I agree to conform to all Florida Building Code Regulations and City Ordinances regulating same and in accordance with plans submitted. The issuance of this permit does not grant permission to violate any applicable Town and/or State of Florida codes and/or ordinances. By signing below, I recognize Republic Services is by legal contract the sole authorized provider of garbage, recycling, yard waste, and commercial garbage and construction debris collection and disposal services with the city limits of the City. Contractors, homeowners and commercial businesses may contact Republic Services at 407-293-8000 to setup accounts for Commercial Construction Roll Off, or other services needed. Rates are fixed by contract and are available at City Hall or from Republic Services. The City enforces the contract through its code enforcement office. Failure to comply will result in a stop work order.

LICENSE HOLDER SIGNATURE [Signature] LICENSE # 0801253645  
 LICENSE HOLDER NAME TOM SQUIREY COMPANY NAME Tuff Shed, Inc.  
 Street Address 1777 S. Morrison St Ste C600  
 City Denver State CO Zip Code 80210 Phone Number 407-282-2444  
 Email Address tsquirey@tuffshed.com

pre-approval on bldg plans permit 2020-03-062

Building Official: [Signature] Date 4-6-20  
 Verified Contractor's Licenses & Insurance are on file [Signature] Date 4-6-20

Zoning Fee \$ 0  
 Building Fee \$ 25.-  
 Review Fee \$ 12.50  
 1% BCAIB Fee \$ 2 min  
 1.5% DCA Fee \$ 2 min  
 Total Permit Fee \$ 41.50

NOTE: The Building Permit Number is required if the Roof Installation is associated with any construction or alteration where a Building Permit has been issued.

571K 25 x 15  
12.50  
37.50 Building Permit Number \_\_\_\_\_  
**PAID 4-6-20** VISA 5567



**City of Belle Isle**  
 Universal Engineering Sciences 3532 Maggie Blvd., Orlando, FL 32811  
 Tel 407-581-8161 \* Fax 407-581-0313 \* [www.universalengineering.com](http://www.universalengineering.com)

**RECEIVED**  
 APR 03 2020  
 BY: \_\_\_\_\_

## Product Approval Form

DATE: 4-1-2020

PERMIT # 2020-04-02e

PROJECT ADDRESS 5291 Chiswick Cir., Belle Isle, FL 32809 ✓ 32812

As required by Florida Statute 553.842 and Florida Administrative Code 9B-72m, please provide the information and approval numbers of the building components listed below if they will be utilized on the building or structure. FL Approved products are listed online at [www.floridabuilding.org](http://www.floridabuilding.org) or can be obtained from the local product supplier. The following information must be turned in with permit application and available onsite for inspections:

- This Product Approval Cover Sheet
- Internet screen printout from FloridaBuilding.Org showing PA#, approval code and edition stamped
- Manufacturer's installation details from FloridaBuilding.Org and requirements for each product stamped
- The Installation instructions must be posted on-site before your first inspection

Product Type	Manufacturer	Model/Series	FL Product Approval #	Product Type	Manufacturer	Model/Series	FL Product Approval #
<b>EXTERIOR DOORS</b>				<b>WALL PANELS</b>			
Swinging				Siding			
Sliding				Soffits			
Sectional/Rollup				Storefront			
Other				Glass Block			
				Other			
<b>WINDOWS</b>				<b>ROOFING PRODUCTS</b>			
Single/Dbf Hung				Asphalt Shingles	GAF	GAF <del>Asphalt</del> FI 10124.1	
Horizontal Slider				Non Struct Metal			
Casement				Roofing Tiles			
Fixed				Single Ply Roof			
Mullion				Underlayment			
Skylights				Other			FL 18686 15lb felt
Other							
<b>STRUCTURAL COMPONENTS</b>				<b>OTHER</b>			
Wood Connectors							
Wood Anchors							
Truss Plates							
Insulation Forms							
Untels							
Other							

It is the applicant's responsibility to verify that specific products have been installed in accordance with their limitations and with the minimum required design pressures for the structure. Specific compliance will be verified during field inspections.

Applicant Signature *M. Marshall*

Date 04/01/2020

FLORIDA DEPARTMENT OF  
**Business & Professional Regulation**



[DBPR HOME](#) | [ABOUT DBPR](#) | [DBPR DIVISIONS](#) | [CONTACT DBPR](#)

[BCIS Home](#) | [Log In](#) | [User Registration](#) | [Hot Topics](#) | [Submit Surcharge](#) | [Stats & Facts](#) | [Publications](#) | [Contact Us](#) | [BCIS Site Map](#) | [Links](#) | [Search](#)



**Product Approval**  
USER: Public User

[Product Approval Menu](#) > [Product or Application Search](#) > [Application List](#) > **Application Detail**

OFFICE OF THE SECRETARY

FL #	FL10124-R25												
Application Type	Revision												
Code Version	2017												
Application Status	Approved												
Comments													
Archived	<input type="checkbox"/>												
Product Manufacturer	GAF												
Address/Phone/Email	1 Campus Drive Parisppany, NJ 07054 (800) 766-3411 mstieh@gaf.com												
Authorized Signature	Robert Nieminen lreith@nemoetc.com												
Technical Representative	William Broussard												
Address/Phone/Email	1 Campus Drive Parsippany, NJ 07054 (800) 766-3411 TechnicalQuestionsGAF@gaf.com												
Quality Assurance Representative													
Address/Phone/Email													
Category	Roofing												
Subcategory	Asphalt Shingles												
Compliance Method	Evaluation Report from a Florida Registered Architect or a Licensed Florida Professional Engineer <input type="checkbox"/> Evaluation Report - Hardcopy Received												
Florida Engineer or Architect Name who developed the Evaluation Report	Robert Nieminen												
Florida License	PE-59166												
Quality Assurance Entity	UL LLC												
Quality Assurance Contract Expiration Date	12/16/2022												
Validated By	John W. Knezevich, PE <input checked="" type="checkbox"/> Validation Checklist - Hardcopy Received												
Certificate of Independence	<a href="#">FL10124 R25 COI 2019 01 COI NIEMINEN.pdf</a>												
Referenced Standard and Year (of Standard)	<table border="0"> <thead> <tr> <th><u>Standard</u></th> <th><u>Year</u></th> </tr> </thead> <tbody> <tr> <td>ASTM D1970</td> <td>2015</td> </tr> <tr> <td>ASTM D3161</td> <td>2016</td> </tr> <tr> <td>ASTM D3462</td> <td>2010</td> </tr> <tr> <td>ASTM D7158</td> <td>2011</td> </tr> <tr> <td>TAS 107</td> <td>1995</td> </tr> </tbody> </table>	<u>Standard</u>	<u>Year</u>	ASTM D1970	2015	ASTM D3161	2016	ASTM D3462	2010	ASTM D7158	2011	TAS 107	1995
<u>Standard</u>	<u>Year</u>												
ASTM D1970	2015												
ASTM D3161	2016												
ASTM D3462	2010												
ASTM D7158	2011												
TAS 107	1995												
Equivalence of Product Standards Certified By													
Sections from the Code													

Product Approval Method Method 1 Option D

Date Submitted 12/11/2019  
 Date Validated 12/11/2019  
 Date Pending FBC Approval 12/18/2019  
 Date Approved 02/11/2020  
 Date Revised 02/12/2020

**Summary of Products**

FL #	Model, Number or Name	Description
10124.1	GAF Asphalt Roof Shingles	Fiberglass reinforced 3-tab, laminated, 5-tab and hip/ridge asphalt shingles
<b>Limits of Use</b> <b>Approved for use in HVHZ:</b> No <b>Approved for use outside HVHZ:</b> Yes <b>Impact Resistant:</b> N/A <b>Design Pressure:</b> N/A <b>Other:</b> Refer to ER, Section 5.		<b>Installation Instructions</b> <a href="#">FL10124 R25 II 2019 12 FINAL ER GAF ASPHALT SHINGLES FL10124-R25.pdf</a> Verified By: Robert Nieminen PE-59166 Created by Independent Third Party: Yes <b>Evaluation Reports</b> <a href="#">FL10124 R25 AE 2019 12 FINAL ER GAF ASPHALT SHINGLES FL10124-R25.pdf</a> Created by Independent Third Party: Yes

[Back](#) [Next](#)

Contact Us :: [2601 Blair Stone Road, Tallahassee FL 32399 Phone: 850-487-1824](#)

The State of Florida is an AA/EEO employer. [Copyright 2007-2013 State of Florida](#). :: [Privacy Statement](#) :: [Accessibility Statement](#) :: [Refund Statement](#)

Under Florida law, email addresses are public records. If you do not want your e-mail address released in response to a public-records request, do not send electronic mail to this entity. Instead, contact the office by phone or by traditional mail. If you have any questions, please contact 850.487.1395. \*Pursuant to Section 455.275 (1), Florida Statutes, effective October 1, 2012, licensees licensed under Chapter 455, F.S. must provide the Department with an email address if they have one. The emails provided may be used for official communication with the licensee. However email addresses are public record. If you do not wish to supply a personal address, please provide the Department with an email address which can be made available to the public. To determine if you are a licensee under Chapter 455, F.S., please click [here](#).



Credit Card  
**Safe**





**NEMO|etc.**

Certificate of Authorization #32455  
353 Christian Street, Unit #13  
Oxford, CT 06478  
(203) 262-9245

ENGINEER

EVALUATE

TEST

CONSULT

CERTIFY

**EVALUATION REPORT**

**GAF**

1 Campus Drive  
Parsippany, NJ 07054  
**(800) 766-3411**

**Evaluation Report 01506.01.08-R27**

**FL10124-R25**

**Date of Issuance: 01/03/2008**

**Revision 27: 12/04/2019**

**SCOPE:**

This Evaluation Report is issued under **Rule 61G20-3** and the applicable rules and regulations governing the use of construction materials in the State of Florida. The documentation submitted has been reviewed by Robert Nieminen, P.E. for use of the product under the Florida Building Code and Florida Building Code, Residential Volume. The products described herein have been evaluated for compliance with the **6<sup>th</sup> Edition (2017) Florida Building Code** sections noted herein.

**DESCRIPTION: GAF Asphalt Roof Shingles**

**LABELING:** Labeling shall be in accordance with the requirements of the Accredited Quality Assurance Agency noted herein and **FBC 1507.2.7.1 / R905.2.6.1**

**CONTINUED COMPLIANCE:** This Evaluation Report is valid until the named product(s) changes, the referenced Quality Assurance documentation changes, or provisions of the Code that relate to the product change. Acceptance of this Evaluation Report by the named client constitutes agreement to notify Robert Nieminen, P.E. of any changes to the product(s), the Quality Assurance or the production facility location(s). NEMO|etc. requires a complete review of this Evaluation Report relative to updated Code requirements with each Code Cycle.

**ADVERTISEMENT:** The Evaluation Report number preceded by the words "NEMO|etc. Evaluated" may be displayed in advertising literature. If any portion of the Evaluation Report is displayed, then it shall be done in its entirety.

**INSPECTION:** Upon request, a copy of this entire Evaluation Report shall be provided to the user by the manufacturer or its distributors and shall be available for inspection at the job site at the request of the Building Official.

This Evaluation Report consists of pages 1 through 7.

**Prepared by:**



The facsimile seal appearing was authorized by Robert Nieminen, P.E. on 12/04/2019. This does not serve as an electronically signed document.

**Robert J.M. Nieminen, P.E.**

Florida Registration No. 59166, Florida DCA ANE1983

**CERTIFICATION OF INDEPENDENCE:**

1. NEMO|etc. does not have, nor does it intend to acquire, or will it acquire, a financial interest in any company manufacturing or distributing products it evaluates.
2. NEMO|etc. is not owned, operated or controlled by any company manufacturing or distributing products it evaluates.
3. Robert Nieminen, P.E. does not have nor will acquire, a financial interest in any company manufacturing or distributing products for which the evaluation reports are being issued.
4. Robert Nieminen, P.E. does not have, nor will acquire, a financial interest in any other entity involved in the approval process of the product.
5. This is a building code evaluation. Neither NEMO|etc. nor Robert Nieminen, P.E. are, in any way, the Designer of Record for any project on which this Evaluation Report, or previous versions thereof, is/was used for permitting or design guidance unless retained specifically for that purpose.

**ROOFING SYSTEMS EVALUATION:**
**1. SCOPE:**

**Product Category:** Roofing

**Sub-Category:** Asphalt Shingles

**Compliance Statement:** GAF Asphalt Roof Shingles, as produced by GAF, have demonstrated compliance with the following sections of the 6<sup>th</sup> Edition (2017) Florida Building Code and Florida Building Code, Residential Volume through testing in accordance with the following Standards. Compliance is subject to the Installation Requirements and Limitations / Conditions of Use set forth herein.

**2. STANDARDS:**

<u>Section</u>	<u>Property</u>	<u>Standard</u>	<u>Year</u>
1507.2.4, R905.2.3	Physical Properties	ASTM D1970	2015
1507.2.5, R905.2.4	Physical Properties	ASTM D3462	2010
1507.2.7.1, R905.2.6.1	Wind Resistance	ASTM D3161	2016
1507.2.7.1, R905.2.6.1	Wind Resistance	ASTM D7158	2011
1507.2.7.1, R905.2.6.1	Wind Resistance	TAS 107	1995

**3. REFERENCES:**

<u>Entity</u>	<u>Examination</u>	<u>Reference</u>	<u>Date</u>
PRI (TST 5878)	Physical Properties	GAF-025-02-01	03/27/2002
PRI (TST 5878)	ASTM D3462	GAF-059-02-01	09/02/2004
PRI (TST 5878)	ASTM D3462	GAF-080-02-01	05/25/2005
PRI (TST 5878)	Physical Properties	GAF-324-02-01	12/01/2011
PRI (TST 5878)	ASTM D1970 (QuickStart)	GAF-340-02-01	03/13/2012
PRI (TST 5878)	Wind Driven Rain	GAF-407-02-01	01/21/2013
PRI (TST 5878)	Wind Driven Rain	GAF-895-02-01	11/20/2018
PRI (TST 5878)	Wind Driven Rain	GAF-896-02-01	11/20/2018
PRI (TST 5878)	ASTM D3462	GAF-897-02-01	11/08/2018
PRI (TST 5878)	ASTM D3462	GAF-898-02-01	11/08/2018
PRI (TST 5878)	ASTM D3462	GAF-899-02-01	11/15/2018
UL (TST 1740)	ASTM D3462	93NK6295	11/29/1993
UL (TST 1740)	ASTM D3462	99NK43835	01/12/2000
UL (TST 1740)	TAS 107	94NK9632	03/29/2000
UL (TST 1740)	ASTM D3462	01NK06632	02/02/2001
UL (TST 1740)	ASTM D3161, TAS 107	01NK9226	05/21/2001
UL (TST 1740)	ASTM D3161	01NK37122	12/18/2001
UL (TST 1740)	ASTM D3462	01NK37122	12/19/2001
UL (TST 1740)	ASTM D3161, TAS 107	02NK12980	04/10/2002
UL (TST 1740)	ASTM D3161, TAS 107	02NK30871	09/09/2002
UL (TST 1740)	ASTM D3161	03CA5367	03/11/2003
UL (TST 1740)	ASTM D3462	03NK26444	10/17/2003
UL (TST 1740)	ASTM D3462	04NK13850	06/07/2004
UL (TST 1740)	ASTM D3161	04NK13850	06/23/2004
UL (TST 1740)	ASTM D3161	04NK30546	03/10/2005
UL (TST 1740)	ASTM D3462	04NK22009	05/06/2005
UL (TST 1740)	ASTM D3161	04NK22009	05/09/2005
UL (TST 1740)	ASTM D3462	05NK27924	02/10/2006
UL (TST 1740)	ASTM D3161	05NK27924	02/11/2006
UL (TST 1740)	ASTM D3161, D3462	06CA18077	06/05/2006
UL (TST 1740)	ASTM D3161, D3462	06CA18074	06/16/2006
UL (TST 1740)	ASTM D3161, D3462	06CA35251	10/18/2006
UL (TST 1740)	ASTM D3462	06CA31603	12/01/2006
UL (TST 1740)	ASTM D3161, D3462	06CA41095	12/27/2006
UL (TST 1740)	ASTM D3161	07NK05228	03/13/2007



<u>Entity</u>	<u>Examination</u>	<u>Reference</u>	<u>Date</u>
UL (TST 1740)	ASTM D3161	06CA31611	04/04/2007
UL (TST 1740)	ASTM D3161	06CA61148	04/09/2007
UL (TST 1740)	ASTM D3161, D3462	07CA31742	11/08/2007
UL (TST 1740)	ASTM D3161, D7158, D3462	08CA06100	03/13/2008
UL, LLC. (TST 9628)	ASTM D3161	4788698165	03/24/2008
UL (TST 1740)	ASTM D3161, D3462	07CA55908	04/01/2008
UL (TST 1740)	ASTM D3161, D3462	09CA10592	03/26/2009
UL (TST 1740)	ASTM D3161, D3462	09CA06856	05/15/2009
UL (TST 1740)	ASTM D3161, D7158, D3462	09NK06647	08/01/2009
UL (TST 1740)	ASTM D3161, D7158, D3462	09CA27281	08/27/2009
UL (TST 1740)	ASTM D3161, D7158, D3462	10CA35554	03/05/2010
UL (TST 1740)	ASTM D3161, D7158, D3462	10CA13686	05/15/2010
UL (TST 1740)	ASTM D3462	10CA07264	05/27/2010
UL (TST 1740)	ASTM D3462	10CA11953	10/29/2010
UL (TST 1740)	ASTM D3161, D7158, D3462	10NK11951	10/30/2010
UL (TST 1740)	ASTM D3161, D7158, D3462	10NK12070	11/04/2010
UL (TST 1740)	ASTM D3161, D7158, D3462	08CA06100	01/30/2010
UL (TST 1740)	ASTM D3161, D7158, D3462	10CA53934	03/31/2011
UL (TST 1740)	ASTM D3161, D7158, D3462	11CA48924	10/22/2011
UL (TST 1740)	ASTM D3161, D7158, D3462	11CA47919	12/03/2011
UL (TST 1740)	ASTM D3161, D7158, D3462	11CA48408	12/08/2011
UL (TST 1740)	ASTM D3161, D7158, D3462	11CA48725	12/09/2011
UL, LLC. (TST 9628)	ASTM D3462	12CA34891	10/12/2012
UL, LLC. (TST 9628)	ASTM D3161, D7158, D3462	12CA58151	02/15/2013
UL, LLC. (TST 9628)	ASTM D3161	12CA38083	02/26/2013
UL, LLC. (TST 9628)	ASTM D3161	13CA32332	06/18/2013
UL, LLC. (TST 9628)	ASTM D3161	13CA37934	08/02/2013
UL, LLC. (TST 9628)	ASTM D3161, D7158, D3462	4786875675	07/17/2015
UL, LLC. (TST 9628)	ASTM D3161, D7158, D3462	4787434542	05/17/2016
UL, LLC. (TST 9628)	ASTM D3161, D7158, D3462	4788717529	09/09/2016
UL, LLC. (TST 9628)	ASTM D3161	4788669132	12/13/2018
UL, LLC. (TST 9628)	ASTM D3161	4788891098	02/14/2019
UL, LLC. (TST 9628)	ASTM D3161, D7158, D3462	4788932264	08/16/2019
UL, LLC. (TST 9628)	ASTM D3161, D7158, D3462	4789115488	08/16/2019
UL, LLC. (TST 9628)	ASTM D3161	4788959558	10/17/2019
UL, LLC. (TST 9628)	ASTM D3161	4789132672 (data x 2)	10/17/2019
UL, LLC. (TST 9628)	ASTM D3161, D7158, D3462	4786508528	11/01/2019
UL, LLC. (QUA 9625)	Quality Control	Service Confirmation	10/18/2018

**4. PRODUCT DESCRIPTION:**

**4.1 ACCESSORY STARTER STRIPS:**

- 4.1.1 Pro-Start® Eave/Rake Starter Strip Shingles and WeatherBlocker™ Premium Eave/Rake Starter Strip Shingles are starter strips for asphalt roof shingles. Meets ASTM D3462.
- 4.1.2 QuickStart® Peel & Stick Starter Roll is a mineral-surfaced, fiberglass-reinforced, self-adhering SBS modified bitumen starter strip, nominal 9-inch x 33 ft roll, for use with asphalt shingles with exposure of 6-inch or less. Meets ASTM D1970.
- 4.1.3 StarterMatch™ Starter Strip Shingles are color-coordinated starter strips for use with Grand Canyon® and Grand Sequoia® series asphalt shingles. StarterMatch™ are installed as the second starter for Grand Canyon® and Grand Sequoia® series installations. Meets ASTM D3462.

#### 4.2 ASPHALT SHINGLES:

- 4.2.1 Marquis WeatherMax<sup>®</sup>, Royal Sovereign<sup>®</sup> and Sentinel<sup>®</sup> are a fiberglass reinforced 3-tab asphalt roof shingles.
- 4.2.2 Camelot<sup>®</sup>, Camelot<sup>®</sup> II, Fortitude<sup>™</sup>, Glenwood<sup>™</sup>, Grand Canyon<sup>®</sup>, Grand Sequoia<sup>®</sup>, Grand Sequoia<sup>®</sup> IR, Grand Sequoia<sup>®</sup> ArmorShield<sup>®</sup>, Grand Sequoia<sup>®</sup> AS, Sienna<sup>®</sup>, Timberline<sup>®</sup> American Harvest<sup>®</sup>, Timberline<sup>®</sup> AH, Timberline<sup>®</sup> ArmorShield<sup>®</sup> II, Timberline<sup>®</sup> AS, Timberline<sup>®</sup> Natural Shadow<sup>®</sup>, Timberline<sup>®</sup> NS, Timberline<sup>®</sup> HD, Timberline<sup>®</sup> HDZ<sup>™</sup>, Timberline<sup>®</sup> Cool Series, Timberline<sup>®</sup> CS, Timberline<sup>®</sup> Ultra HD, Timberline<sup>®</sup> UHD and Woodland<sup>®</sup> are fiberglass reinforced, laminated asphalt roof shingles.
- 4.2.3 Slateline<sup>™</sup> is a fiberglass reinforced 5-tab asphalt roof shingle.

#### 4.3 HIP & RIDGE SHINGLES:

- 4.3.1 Seal-A-Ridge<sup>®</sup> Protective Ridge Cap Shingles (fka, Seal-A-Ridge<sup>®</sup> Ridge Cap Shingles), Seal-A-Ridge<sup>®</sup> ArmorShield<sup>®</sup>, Seal-A-Ridge<sup>®</sup> AS and Timbertex<sup>®</sup> Premium Ridge Cap Shingles are fiberglass reinforced, hip and ridge asphalt roof shingles.

#### 5. LIMITATIONS:

- 5.1 This is a building code evaluation. Neither NEMO ETC, LLC nor Robert Nieminen, P.E. are, in any way, the Designer of Record for any project on which this Evaluation Report, or previous versions thereof, is/was used for permitting or design guidance unless retained specifically for that purpose.
- 5.2 This Evaluation Report is not for use in FBC HVHZ jurisdictions.
- 5.3 Fire Classification is not part of this Evaluation Report; refer to current Approved Roofing Materials Directory for fire ratings of this product.
- 5.4 **Wind Classification:**
  - 5.4.1 Pro-Start<sup>®</sup> Eave/Rake Starter Strip Shingles and WeatherBlocker<sup>™</sup> Premium Eave/Rake Starter Strip Shingles are Classified in accordance with FBC Tables 1507.2.7.1 and R905.2.6.1 to ASTM D3161, Class F, indicating the shingles are acceptable for use in all wind zones up to  $V_{asd} = 150$  mph ( $V_{ult} = 194$  mph).
  - 5.4.2 The GAF asphalt shingles noted in Section 4.2 are Classified in accordance with FBC Tables 1507.2.7.1 and R905.2.6.1 to ASTM D3161, Class F and/or ASTM D7158, Class H, indicating the shingles are acceptable for use in all wind zones up to  $V_{asd} = 150$  mph ( $V_{ult} = 194$  mph). Refer to Section 6 for installation requirements to meet this wind rating.  
  
Note: Classification by ASTM D7158 applies only to exposure category B or C, as defined in FBC 1609.4.3, and a mean roof height of 60 feet or less. Calculations by a qualified design professional are required for conditions outside these limitations. Contact the shingle manufacturer for data specific to each shingle.
  - 5.4.3 The GAF hip & ridge shingles noted in Section 4.3 are Classified in accordance with FBC Tables 1507.2.7.1 and R905.2.6.1 to ASTM D3161, Class F, indicating the shingles are acceptable for use in all wind zones up to  $V_{asd} = 150$  mph ( $V_{ult} = 194$  mph). Refer to Section 6 for installation requirements to meet this wind rating.
- 5.5 All products in the roof assembly shall have quality assurance audit in accordance with F.A.C. Rule 61G20-3.

**6. INSTALLATION:**

**6.1 GENERAL:**

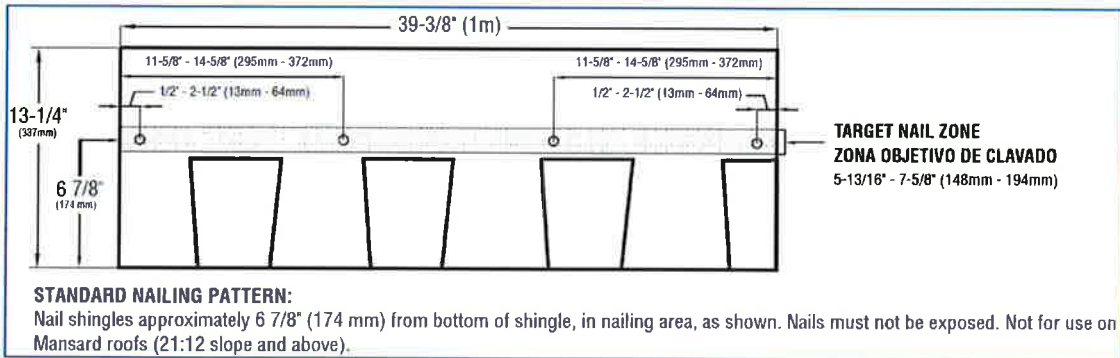
- 6.1.1 Roof deck, slope, underlayment and fasteners shall comply with FBC 1507.2 / R905.2 and the shingle manufacturer’s minimum requirements.
- 6.1.2 Underlayment shall be acceptable to GAF and shall hold current Florida Statewide Product Approval, or be Locally Approved per Rule 61G20-3, per FBC Sections 1507.2.3, 1507.2.4 or R905.2.3.
- 6.1.3 Fasteners shall be in accordance with manufacturer’s published requirements, but not less than FBC 1507.2.6 or R905.2.5. Staples are not permitted.
- 6.1.4 GAF asphalt shingles are acceptable for use in reroof (tear-off) or recover applications, subject to the limitations set forth in FBC Section 1511 or R908 and GAF published installation instructions.

**6.2 STARTER SHINGLES OR STARTER STRIP:**

- 6.2.1 Installation of Pro-Start® Eave/Rake Starter Strip Shingles, WeatherBlocker™ Premium Eave/Rake Starter Strip Shingles and QuickStart® Peel & Stick Starter Roll shall comply with the GAF current published instructions.

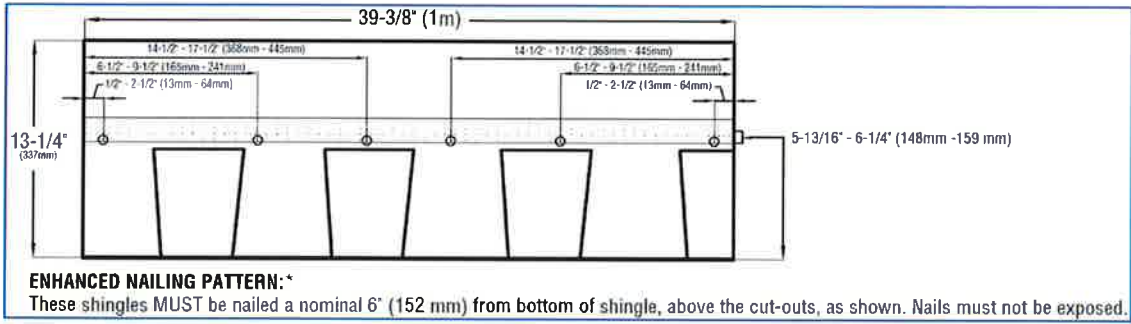
**6.3 ASPHALT SHINGLES:**

- 6.3.1 Installation of asphalt shingles shall comply with the GAF current published instructions, using minimum four (4) nails per shingle in accordance with FBC 1507.2.7 or R905.2.6, with the following exceptions:
  - Camelot®, Camelot® II, Grand Canyon®, Grand Sequoia®, Grand Sequoia® IR, Grand Sequoia® ArmorShield®, and Woodland® require minimum five (5) nails per shingle.
  - Slateline™ requires minimum six (6) nails per shingle.
- 6.3.2 Fasteners shall be in accordance with manufacturer’s published requirements, but not less than FBC 1507.2.6 or R905.2.5. Staples are not permitted.
- 6.3.2.1 Fastening for Fortitude™, Timberline® AH, Timberline® CS and Timberline® HDZ™; slopes 2:12 up to 21:12



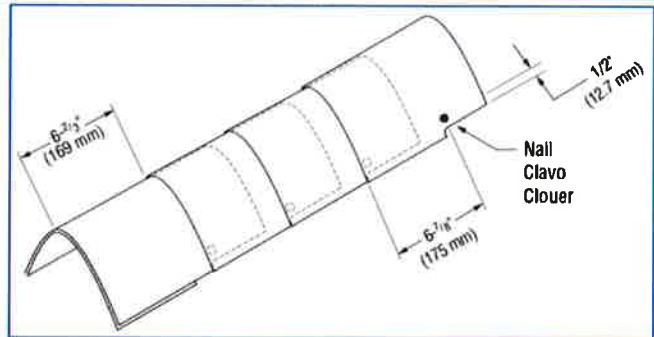
- 6.3.3 Where the roof slope exceeds 21 units vertical in 12 units horizontal, special methods of fastening are required. Contact the GAF for details.

6.3.3.1 Fastening for Fortitude™, Timberline® AH, Timberline® CS and Timberline® HDZ™; slopes greater than 21:12

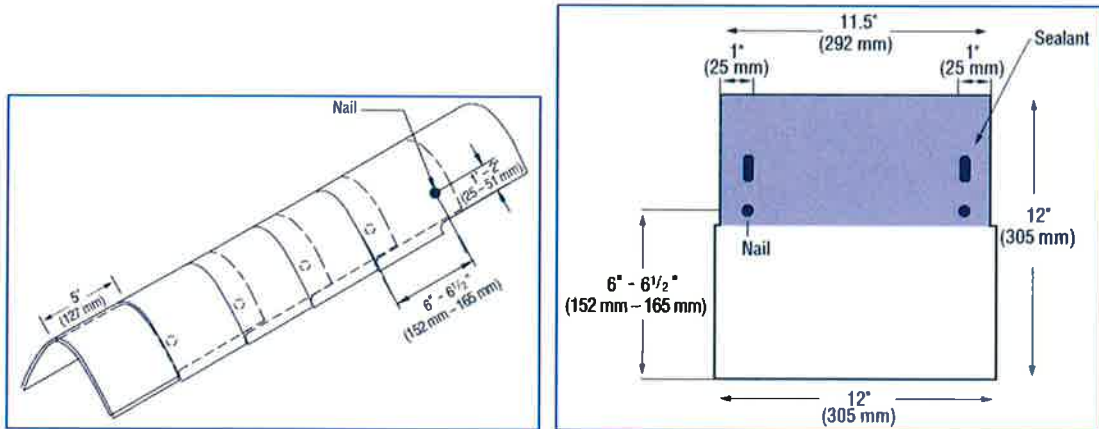


**6.4 HIP & RIDGE SHINGLES:**

6.4.1 Installation of Seal-A-Ridge® Protective Ridge Cap Shingles (fka, Seal-A-Ridge® Ridge Cap Shingles) shall comply with the GAF current published instructions with a minimum two (2) nails, minimum 3/8-inch head diameter located 6-7/8-inch back from the exposed end and 0.5-inch from the edge.



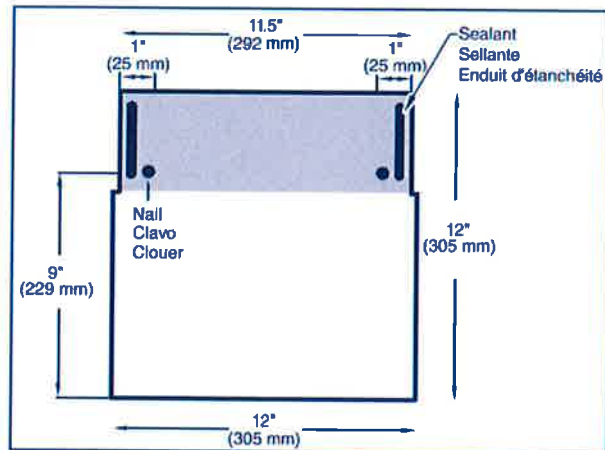
6.4.2 Installation of Seal-A-Ridge® ArmorShield® and Seal-A-Ridge® AS shall comply with the GAF current published instructions with a minimum two (2) nails, minimum 3/8-inch head diameter, per shingle located 6 to 6.5-inch back from the exposed end and 1 to 2-inch from the edge, and nominal 0.25-inch diameter beads of Henkel "Loctite PL S30 Roof & Flashing Sealant".





NEMO | etc.

6.4.3 Installation of Timbertex® Premium Ridge Cap Shingles shall comply with GAF current published instructions with a minimum two (2) nails, minimum 3/8-inch head diameter, per shingle and beads of Sonneborn “NP1 Gun Grade Polyurethane Sealant” or Henkel “PL Roofing and Flashing Sealant”.



6.4.3 Fasteners shall be in accordance with GAF published requirements, but not less than FBC 1507.2.6 or R905.2.5. Staples are not permitted.

## 7. LABELING:

7.1 Labeling shall be in accordance with the requirements the Accredited Quality Assurance Agency noted herein.

7.2 Asphalt shingle wrappers shall indicate compliance with one of the required classifications detailed in **FBC Table 1507.2.7.1 / R905.2.6.1**.

## 8. BUILDING PERMIT REQUIREMENTS:

As required by the Building Official or Authority Having Jurisdiction in order to properly evaluate the installation of this product.

## 9. MANUFACTURING PLANTS:

Contact the named QA entity for information on which plants produce products covered by Florida Rule 61G20-3 QA requirements.

## 10. QUALITY ASSURANCE ENTITY:

UL LLC – QUA9625; (414) 248-6409; [karen.buchmann@ul.com](mailto:karen.buchmann@ul.com)

- END OF EVALUATION REPORT -



**Product Approval**  
USER: Public User

[Product Approval Menu](#) > [Product or Application Search](#) > [Application List](#) > **Application Detail**

OFFICE OF THE  
SECRETARY

FL #	FL18686-R3
Application Type	Revision
Code Version	2017
Application Status	Approved
	*Approved by DBPR. Approvals by DBPR shall be reviewed and ratified by the POC and/or the Commission if necessary.
Comments	
Archived	<input type="checkbox"/>
Product Manufacturer Address/Phone/Email	GAF 1 Campus Drive Parsippany, NJ 07054 (800) 766-3411 mstieh@gaf.com
Authorized Signature	Michael Stieh mstieh@gaf.com
Technical Representative Address/Phone/Email	Michael Stieh 1 Campus Drive Parsippany, NJ 07054 (973) 628-3000 mstieh@gaf.com
Quality Assurance Representative Address/Phone/Email	Richard Weiman 1 Campus Drive Parsippany, NJ 07054 (973) 872-4421 RWeiman@gaf.com
Category	Roofing
Subcategory	Underlayments
Compliance Method	Evaluation Report from a Product Evaluation Entity
Evaluation Entity	Miami-Dade BCCO - EVL
Quality Assurance Entity	Miami-Dade BCCO - QUA
Quality Assurance Contract Expiration Date	02/22/2023
Validated By	Miami-Dade BCCO - VAL
Certificate of Independence	
Referenced Standard and Year (of Standard)	<b>Standard</b> ASTM D226
	<b>Year</b> 2009
Equivalence of Product Standards Certified By	
Sections from the Code	

Product Approval Method Method 1 Option C

Date Submitted 02/26/2018

Date Validated 03/16/2018

Date Pending FBC Approval

Date Approved 03/26/2018

**Summary of Products**

FL #	Model, Number or Name	Description
18686.1	FeltBuster	High-Traction Synthetic Roofing Felt
<b>Limits of Use</b> <b>Approved for use in HVHZ:</b> Yes <b>Approved for use outside HVHZ:</b> Yes <b>Impact Resistant:</b> No <b>Design Pressure:</b> N/A <b>Other:</b>		<b>Installation Instructions</b> <a href="#">FL18686 R3 II 18-0119.15.pdf</a> Verified By: Miami-Dade BCCO - EVL Created by Independent Third Party: <b>Evaluation Reports</b> <a href="#">FL18686 R3 AE 18-0119.15.pdf</a>

[Back](#) [Next](#)

Contact Us :: [2601 Blair Stone Road, Tallahassee FL 32399 Phone: 850-487-1824](#)

The State of Florida is an AA/EEO employer. [Copyright 2007-2013 State of Florida.](#) :: [Privacy Statement](#) :: [Accessibility Statement](#) :: [Refund Statement](#)

Under Florida law, email addresses are public records. If you do not want your e-mail address released in response to a public-records request, do not send electronic mail to this entity. Instead, contact the office by phone or by traditional mail. If you have any questions, please contact 850.487.1395. \*Pursuant to Section 455.275 (1), Florida Statutes, effective October 1, 2012, licensees licensed under Chapter 455, F.S. must provide the Department with an email address if they have one. The emails provided may be used for official communication with the licensee. However email addresses are public record. If you do not wish to supply a personal address, please provide the Department with an email address which can be made available to the public. To determine if you are a licensee under Chapter 455, F.S., please click [here](#).



Credit Card  
**Safe**





DEPARTMENT OF REGULATORY AND ECONOMIC RESOURCES (RER)  
BOARD AND CODE ADMINISTRATION DIVISION

MIAMI-DADE COUNTY  
PRODUCT CONTROL SECTION  
11805 SW 26 Street, Room 208  
Miami, Florida 33175-2474  
T (786) 315-2590 F (786) 315-2599  
[www.miamidadecounty.gov/economy](http://www.miamidadecounty.gov/economy)

## NOTICE OF ACCEPTANCE (NOA)

**GAF**  
1 Campus Drive  
Parsippany, NJ 07054

### SCOPE:

This NOA is being issued under the applicable rules and regulations governing the use of construction materials. The documentation submitted has been reviewed and accepted by Miami-Dade County RER - Product Control Section to be used in Miami Dade County and other areas where allowed by the Authority Having Jurisdiction (AHJ).

This NOA shall not be valid after the expiration date stated below. The Miami-Dade County Product Control Section (In Miami Dade County) and/or the AHJ (in areas other than Miami Dade County) reserve the right to have this product or material tested for quality assurance purposes. If this product or material fails to perform in the accepted manner, the manufacturer will incur the expense of such testing and the AHJ may immediately revoke, modify, or suspend the use of such product or material within their jurisdiction. RER reserves the right to revoke this acceptance, if it is determined by Miami-Dade County Product Control Section that this product or material fails to meet the requirements of the applicable building code.

This product is approved as described herein, and has been designed to comply with the Florida Building Code including the High Velocity Hurricane Zone of the Florida Building Code.

### DESCRIPTION: GAF Leak Barriers and Roof Deck Protection

**LABELING:** Each unit shall bear a permanent label with the manufacturer's name or logo, city, state and following statement: "Miami-Dade County Product Control Approved", unless otherwise noted herein.

**RENEWAL** of this NOA shall be considered after a renewal application has been filed and there has been no change in the applicable building code negatively affecting the performance of this product.

**TERMINATION** of this NOA will occur after the expiration date or if there has been a revision or change in the materials, use, and/or manufacture of the product or process. Misuse of this NOA as an endorsement of any product, for sales, advertising or any other purposes shall automatically terminate this NOA. Failure to comply with any section of this NOA shall be cause for termination and removal of NOA.

**ADVERTISEMENT:** The NOA number preceded by the words Miami-Dade County, Florida, and followed by the expiration date may be displayed in advertising literature. If any portion of the NOA is displayed, then it shall be done in its entirety.

**INSPECTION:** A copy of this entire NOA shall be provided to the user by the manufacturer or its distributors and shall be available for inspection at the job site at the request of the Building Official.

This NOA renews and revises NOA 16-1213.04 and consists of pages 1 through 10.  
The submitted documentation was reviewed by Hamley Pacheco, P.E.



NOA No.: 18-0119.15  
Expiration Date: 02/22/23  
Approval Date: 02/22/18  
Page 1 of 10

## ROOFING COMPONENT APPROVAL

**Category:** Roofing  
**Sub-Category:** Underlayment  
**Material:** SBS/Polypropylene/Asphalt

### PRODUCTS DESCRIPTION:

<u>Product</u>	<u>Dimensions</u>	<u>Test Specification</u>	<u>Product Description</u>
<b>WeatherWatch® Mineral Surfaced Leak Barrier</b> <i>Manufacturing</i> <i>Location #1, 9</i>	36" x 50' rolls 36" x 66.7' rolls	ASTM D 1970	Granular surfaced modified, fiberglass reinforced, bituminous sheet material for use as a leak barrier underlayment in sloped roof assemblies. Designed as an ice & rain shield.
<b>StormGuard® Film Surfaced Leak Barrier</b> <i>Manufacturing</i> <i>Location #1, 9</i>	36" x 66.7' rolls	ASTM D 1970	Modified, fiberglass reinforced, bituminous sheet material for use as a high temperature leak barrier underlayment in sloped roof assemblies. Designed as an ice & rain shield.
<b>Liberty™ SBS Self-Adhering Base/Ply Sheet</b> <i>Manufacturing</i> <i>Location #1, 9</i>	39- <sup>3</sup> / <sub>8</sub> " x 66' rolls	ASTM D 1970 ASTM D4601 Type II	Self-adhering SBS roof membrane.
<b>Deck-Armor™ Premium Breathable Roof Deck Protection</b> <i>Manufacturing</i> <i>Location #2</i>	54" x 222' rolls 48" x 100' rolls	ASTM D 226 Type II	A UV-stabilized polypropylene breathable underlayment. To be used for roof deck protection as an underlayment in sloped roof assemblies.
<b>Tiger Paw™ Roof Deck Protection</b> <i>Manufacturing</i> <i>Location #3, 5, 6</i>	48" x 250' rolls 48" x 100' rolls	ASTM D 226 Type II	A UV-stabilized polypropylene non-breathable underlayment. To be used for roof deck protection as an underlayment in sloped roof assemblies.
<b>FeltBuster® High-Traction Synthetic Roofing Felt</b> <i>Manufacturing</i> <i>Location #7, 8</i>	48" x 250' rolls	ASTM D 226 Type I	A UV-stabilized polypropylene non-breathable underlayment. To be used for roof deck protection as an underlayment in sloped roof assemblies.
<b>Shingle-Mate® Roof Deck Protection</b> <i>Manufacturing</i> <i>Location #4</i>	36" x 144' rolls	ASTM D 226 Type I	Fiberglass-reinforced asphalt felt underlayment. To be used for roof deck protection as an underlayment in sloped roof assemblies.



**PRODUCTS DESCRIPTION:**

<u>Product</u>	<u>Dimensions</u>	<u>Test Specification</u>	<u>Product Description</u>
<b>Liberty™ SA Glass Cap Sheet</b> <i>Manufacturing Location # 9</i>	39-3/8" x 34' rolls	ASTM D 1970 ASTM D 6163 ASTM D 7530	Granular surfaced modified, fiberglass reinforced, self-adhering SBS roof membrane.
<b>GAFGLAS® Ply 4</b> <i>Manufacturing Location # 9, 10</i>	39.37" (1 meter) Wide	ASTM D2178 Type IV	Asphalt impregnated glass felt with asphalt coating.
<b>GAFGLAS® FlexPly™ 6</b> <i>Manufacturing Location # 9, 10</i>	39.37" (1 meter) Wide	ASTM D2178 Type VI	Asphalt impregnated glass felt with asphalt coating.

**MANUFACTURING LOCATION:**

- 1.Mt. Vernon, IN
- 2.North Bay, Ontario
- 3.Mission, British Columbia
- 4.Pryor, OK
- 5.Qingdao, China
- 6.Charleston, SC
- 7.Spartanburg, SC
- 8.Dadra, India
- 9.Savannah, GA
- 10.Mobile, AL



**EVIDENCE SUBMITTED:**

<u>Test Agency</u>	<u>Test Identifier</u>	<u>Test Name/Report</u>	<u>Date</u>
Intertek Testing Services NA Ltd.	3077464-01	ASTM D 1970	08/23/06
	3090131	Wind Uplift and Self Sealability	08/23/06
	100258583COQ-010A	ASTM D 226 Type II	01/08/11
	100673818COQ-003	ASTM D 226 Type II	06/13/13
	101572890COQ-005	ASTM D 226 Type II	04/17/14
PRI Construction Materials Technologies, LLC.	F8549.02-106-18	ASTM D 226 Type I	11/08/16
	RGM-023-02-01	ASTM D 4798	05/16/07
	GAF-112-02-01	ASTM D 226 Type II	03/15/06
	GAF-238-02-01	ASTM D 1970	03/03/10
	GAF-323-02-01	ASTM D 1970	11/30/11
	GAF-324-02-01	ASTM D 1970	12/01/11
	GAF-325-02-01	ASTM D 1970	12/01/11
	GAF-326-02-01	ASTM D 1970	11/30/11
	GAF-275-02-01	ASTM D 1970	11/11/10
	GAF-344-02-01	ASTM D 1970	04/23/12
	GAF-339-02-01	ASTM D 226 Type I	03/14/12
	ELK-311-02-01	ASTM D 1970	09/11/07
	GAF-518-02-01	ASTM D 226 Type I	06/04/14
	GAF-818-02-01	ASTM D 4533	12/06/17
	GAF-829-02-01	ASTM D 226 Type II	01/15/18
	GAF-314-02-01	ASTM D 2178	07/21/11
	GAF-315-02-01	ASTM D 2178	07/21/11
Trinity-ERD	GAF-SC13285.03.17-1	ASTM D 1970	03/08/17
	GAF-SC13285.03.17-3	ASTM D 1970	03/01/17
	GAF-SC13285.03.17-4	ASTM D 1970	03/01/17
	GAF-SC13285.02.17-2	ASTM D 4601 Type II	02/08/17
	GAF-SC9700.08-15-R1	ASTM D 2178	09/09/15
	GAF-SC12915.12.17-R1	ASTM D 1970	12/11/17
	GAF-SC12915.12.17-R1	ASTM D 6163	12/11/17
	GAF-SC12915.12.17-R1	ASTM D 7530	12/11/17



**APPROVED ASSEMBLIES:**

- Deck Type 1:** Wood, non-insulated
- Deck Description:** 1<sup>9</sup>/<sub>32</sub>" or greater plywood or wood plank
- System E (1):** Anchor sheet mechanically fastened to deck, membrane adhered.
- Base Sheet:** Two plies of ASTM D 226 Type I or Shingle-Mate<sup>®</sup> Roof Deck Protection OR one or more plies of ASTM D 226 Type II, Deck-Armor<sup>™</sup> Premium Breathable Roof Deck Protection, FeltBuster<sup>®</sup> High-Traction Synthetic Roofing Felt, or Tiger Paw<sup>™</sup> Roof Deck Protection with a minimum 4" side lap and a 6" end lap mechanically fastened to the deck with approved nails and tin caps 6" o.c. at the laps and four staggered rows 12" o.c. in the field of the roll.

If roof is exposed to rain/snow, tape all end and side laps with approved butyl adhesive based seam/cover tape or an approved waterproof cloth duct tape (follow the tape's manufacturer's installation instructions). Always apply tape over all fasteners at the center of the roll or the end laps to help prevent rain or snow from entering at the fasteners.

- Membrane:** One or more plies of WeatherWatch<sup>®</sup> Mineral Surfaced Leak Barrier, StormGuard<sup>®</sup> Film Surfaced Leak Barrier, Liberty<sup>™</sup> SA Glass Cap Sheet, or Liberty<sup>™</sup> SBS Self-Adhering Base/Ply Sheet membrane with a minimum 3" side lap and 6" end lap. Place the first course of membrane parallel to the eave, rolling the membrane to obtain maximum contact. Remove the release membrane as the membrane is applied. Vertical strapping of the roof with WeatherWatch<sup>®</sup> Mineral Surfaced Leak Barrier, or StormGuard<sup>®</sup> Film Surfaced Leak Barrier is acceptable.

- Surfacing:** Approved Roofing Assembly.



**Deck Type 1:** Wood, non-insulated  
**Deck Description:** 19/32" or greater plywood or wood plank  
**System E(2):** Membrane mechanically fastened to deck.  
**Separator Sheet:** One or more plies of GAFGLAS® Ply 4, GAFGLAS® FlexPly™ 6, Shingle-Mate® Roof Deck Protection, Deck-Armor™ Premium Breathable Roof Deck Protection, FeltBuster® High-Traction Synthetic Roofing Felt, or Tiger Paw™ Roof Deck Protection loose laid.  
**Membrane:** One or more plies of WeatherWatch® Mineral Surfaced Leak Barrier, StormGuard® Film Surfaced Leak Barrier, Liberty™ SA Glass Cap Sheet, or Liberty™ SBS Self-Adhering Base/Ply Sheet membrane mechanically fastened with a minimum 3" side lap and a 6" end lap to deck through the separator sheet with approved nails and tin caps 6" o.c. at the laps and two staggered rows 12" o.c. in the field of the roll.  
**Surfacing:** Approved Roofing Assembly.



- Deck Type 1:** Wood, non-insulated
- Deck Description:**  $1\frac{1}{32}$ " or greater plywood or wood plank
- System E (3):** Anchor sheet mechanically fastened to deck, membrane adhered.
- Secondary Water Barrier: (Optional)** Install a minimum 4" wide WeatherWatch® Mineral Surfaced Leak Barrier, , Liberty™ SBS Self-Adhering Base/Ply Sheet, Liberty™ SA Glass Cap Sheet, or StormGuard® Film Surfaced Leak Barrier membrane over the joints of the plywood roof deck prior to installation of the base sheet. Do not overlap end or side joints. All side and end laps should be butted firmly side by side, flush with each other but not overlapped. Do not leave the WeatherWatch® Mineral Surfaced Leak Barrier, or StormGuard® Film Surfaced Leak Barrier membrane exposed for more than 30 days without a roof deck protection underlayment protecting the secondary water barrier.
- Base Sheet:** Two plies of ASTM D 226 Type I or Shingle-Mate® Roof Deck Protection OR one or more plies of ASTM D 226 Type II, Deck-Armor™ Premium Breathable Roof Deck Protection, FeltBuster® High-Traction Synthetic Roofing Felt, or Tiger Paw™ Roof Deck Protection with a minimum 4" side lap and a 6" end lap mechanically fastened to the deck with approved nails and tin caps 6" o.c. at the laps and four staggered rows 12" o.c. in the field of the roll.  
If roof is exposed to rain/snow, tape all end and side laps with approved butyl adhesive based seam/cover tape or an approved waterproof cloth duct tape (follow the tape manufacturer's installation instructions). Always apply tape over all fasteners at the center of the roll or the end laps to help prevent rain or snow from entering at the fasteners.
- Surfacing:** Approved Roofing Assembly.



- Deck Type 1:** Wood, non-insulated
- Deck Description:**  $1\frac{9}{32}$ " or greater plywood or wood plank
- System E (4):** Anchor sheet mechanically fastened to deck, membrane adhered.
- Base Sheet:** Two plies of ASTM D 226 Type I or Shingle-Mate® Roof Deck Protection OR one or more plies of ASTM D 226 Type II, Deck-Armor™ Premium Breathable Roof Deck Protection, FeltBuster® High-Traction Synthetic Roofing Felt, or Tiger Paw™ Roof Deck Protection with a minimum 4" side lap and a 6" end lap mechanically fastened to the deck with approved nails and tin caps 6" o.c. at the laps and four staggered rows 12" o.c. in the field of the roll.  
If roof is exposed to rain/snow, tape all end and side laps with approved butyl adhesive based seam/cover tape or an approved waterproof cloth duct tape (follow the tape's manufacturer's installation instructions). Always apply tape over all fasteners at the center of the roll or the end laps to help prevent rain or snow from entering at the fasteners.
- Membrane:** One or more plies of StormGuard® Film Surfaced Leak Barrier membrane with a minimum 4" side lap and 6" end lap. Place the first course of membrane parallel to the eave, rolling the membrane to obtain maximum contact. Remove the release membrane as the membrane is applied.
- Surfacing:** Approved for Metal roofing, Slate, and Asphalt Shingle assemblies.



## LIMITATIONS:

1. Fire classification is not part of this acceptance.
2. WeatherWatch® Mineral Surfaced Leak Barrier, StormGuard® Film Surfaced Leak Barrier, Liberty™ SBS Self-Adhering Base/Ply Sheet, Liberty™ SA Glass Cap Sheet, Shingle-Mate® Roof Deck Protection, Deck-Armor™ Premium Breathable Roof Deck Protection, FeltBuster® High-Traction Synthetic Roofing Felt, and Tiger Paw™ Roof Deck Protection shall not be used as roof tile underlayment.
3. This acceptance is for prepared roofing applications. Minimum deck requirements shall be in compliance with applicable building code. WeatherWatch® Mineral Surfaced Leak Barrier, StormGuard® Film Surfaced Leak Barrier, Liberty™ SBS Self-Adhering Base/Ply Sheet, Liberty™ SA Glass Cap Sheet, Shingle-Mate® Roof Deck Protection, Deck-Armor™ Premium Breathable Roof Deck Protection, FeltBuster® High-Traction Synthetic Roofing Felt, and Tiger Paw™ Roof Deck Protection shall be installed in strict compliance with applicable Building Code.
4. WeatherWatch® Mineral Surfaced Leak Barrier, StormGuard® Film Surfaced Leak Barrier, Liberty™ SBS Self-Adhering Base/Ply Sheet, Liberty™ SA Glass Cap Sheet, Shingle-Mate® Roof Deck Protection, Deck-Armor™ Premium Breathable Roof Deck Protection, FeltBuster® High-Traction Synthetic Roofing Felt, and Tiger Paw™ Roof Deck Protection membranes shall be applied to a smooth, clean and dry surface with deck free of irregularities.
5. WeatherWatch® Mineral Surfaced Leak Barrier, StormGuard® Film Surfaced Leak Barrier, Liberty™ SBS Self-Adhering Base/Ply Sheet, Liberty™ SA Glass Cap Sheet, Shingle-Mate® Roof Deck Protection, Deck-Armor™ Premium Breathable Roof Deck Protection, FeltBuster® High-Traction Synthetic Roofing Felt, and Tiger Paw™ Roof Deck Protection membranes shall not be applied over an existing roof membrane.
6. WeatherWatch® Mineral Surfaced Leak Barrier, StormGuard® Film Surfaced Leak Barrier, Liberty™ SBS Self-Adhering Base/Ply Sheet, Liberty™ SA Glass Cap Sheet, Shingle-Mate® Roof Deck Protection, Deck-Armor™ Premium Breathable Roof Deck Protection, FeltBuster® High-Traction Synthetic Roofing Felt, and Tiger Paw™ Roof Deck Protection shall not be left exposed as a temporary roof for longer than 30 days of application.
7. WeatherWatch® Mineral Surfaced Leak Barrier, StormGuard® Film Surfaced Leak Barrier, Liberty™ SBS Self-Adhering Base/Ply Sheet, Liberty™ SA Glass Cap Sheet, Shingle-Mate® Roof Deck Protection, Deck-Armor™ Premium Breathable Roof Deck Protection, FeltBuster® High-Traction Synthetic Roofing Felt, and Tiger Paw™ Roof Deck Protection may be used with any approved roof covering Notice of Acceptance listing WeatherWatch® Mineral Surfaced Leak Barrier, StormGuard® Film Surfaced Leak Barrier, Liberty™ SBS Self-Adhering Base/Ply Sheet, Liberty™ SA Glass Cap Sheet, Shingle-Mate® Roof Deck Protection, Deck-Armor™ Premium Breathable Roof Deck Protection, FeltBuster® High-Traction Synthetic Roofing Felt, and Tiger Paw™ Roof Deck Protection as a component part of an assembly in the Notice of Acceptance. If WeatherWatch® Mineral Surfaced Leak Barrier, StormGuard® Film Surfaced Leak Barrier, Liberty™ SBS Self-Adhering Base/Ply Sheet, Liberty™ SA Glass Cap Sheet, Shingle-Mate® Roof Deck Protection, Deck-Armor™ Premium Breathable Roof Deck Protection, FeltBuster® High-Traction Synthetic Roofing Felt and Tiger Paw™ Roof Deck Protection are not listed; a request may be made to the Authority Having Jurisdiction (AHJ) or the Miami-Dade County Product Control Department for approval provided that appropriate documentation is provided to detail compatibility of the products, wind uplift resistance, and fire testing results.
8. All nails in the deck shall be carefully checked for protruding heads. Re-fasten any loose decking panels. Sweep the deck thoroughly to remove any dust and debris prior to application. Install when temperatures are 45° F and rising.
9. When applying the membrane in the valley, start at the low point and work to the high point, rolling the membrane from the center outward in both directions.



**LIMITATIONS:**

10. Roll or broom the entire membrane surface so as to have 100% contact with the surface, giving special attention to overlap areas.
11. Flash vent pipes, stacks, chimneys and penetrations in compliance with Roof Assembly current Product Control Notice of Acceptance and applicable Building Code.
12. All products listed herein shall have a quality assurance audit in accordance with the Florida Building Code and Rule 61G20-3 of the Florida Administrative Code.
13. All membranes or packaging shall bear the imprint or identifiable marking of the manufacturer's name or logo, city and state of manufacturing facility, and the following statement: "Miami-Dade County Product Control Approved" or the Miami-Dade County Product Control Seal as shown below.



**END OF THIS ACCEPTANCE**



**NOA No.: 18-0119.15**  
**Expiration Date: 02/22/23**  
**Approval Date: 02/22/18**  
**Page 10 of 10**



RICK SCOTT, GOVERNOR

JONATHAN ZACHEM, SECRETARY



**STATE OF FLORIDA  
DEPARTMENT OF BUSINESS AND PROFESSIONAL REGULATION**

**CONSTRUCTION INDUSTRY LICENSING BOARD**

THE BUILDING CONTRACTOR HEREIN IS CERTIFIED UNDER THE  
PROVISIONS OF CHAPTER 489, FLORIDA STATUTES

**SAUREY, TOM**

**TUFF SHED INC**

1777 S HARRISON ST, STE 600  
DENVER CO 80210-3931

**LICENSE NUMBER: CBC1253645**

**EXPIRATION DATE: AUGUST 31, 2020**

Always verify licenses online at [MyFloridaLicense.com](http://MyFloridaLicense.com)



Do not alter this document in any form.

This is your license. It is unlawful for anyone other than the licensee to use this document.



**STATE OF FLORIDA  
DEPARTMENT OF BUSINESS AND PROFESSIONAL REGULATION**


CONSTRUCTION INDUSTRY LICENSING BOARD  
2601 BLAIR STONE ROAD  
TALLAHASSEE FL 32399-0783

(850) 487-1395

**Congratulations! With this license you become one of the nearly one million Floridians licensed by the Department of Business and Professional Regulation. Our professionals and businesses range from architects to yacht brokers, from boxers to barbeque restaurants, and they keep Florida's economy strong.**

Every day we work to improve the way we do business in order to serve you better. For information about our services, please log onto [www.myfloridallicense.com](http://www.myfloridallicense.com). There you can find more information about our divisions and the regulations that impact you, subscribe to department newsletters and learn more about the Department's initiatives.

**Our mission at the Department is: License Efficiently, Regulate Fairly. We constantly strive to serve you better so that you can serve your customers. Thank you for doing business in Florida, and congratulations on your new license!**

<b>dbpr</b>	STATE OF FLORIDA DEPARTMENT OF BUSINESS AND PROFESSIONAL REGULATION
CBC1253645	ISSUED: 07/16/2018
BUILDING CONTRACTOR	
SAUREY, TOM	
TUFF SHED INC	
	Signature
LICENSED UNDER CHAPTER 489, FLORIDA STATUTES	
EXPIRATION DATE: AUGUST 31, 2020	



# CERTIFICATE OF LIABILITY INSURANCE

DATE (MM/DD/YYYY)  
2/27/2020

THIS CERTIFICATE IS ISSUED AS A MATTER OF INFORMATION ONLY AND CONFERS NO RIGHTS UPON THE CERTIFICATE HOLDER. THIS CERTIFICATE DOES NOT AFFIRMATIVELY OR NEGATIVELY AMEND, EXTEND OR ALTER THE COVERAGE AFFORDED BY THE POLICIES BELOW. THIS CERTIFICATE OF INSURANCE DOES NOT CONSTITUTE A CONTRACT BETWEEN THE ISSUING INSURER(S), AUTHORIZED REPRESENTATIVE OR PRODUCER, AND THE CERTIFICATE HOLDER.

**IMPORTANT:** If the certificate holder is an **ADDITIONAL INSURED**, the policy(ies) must have **ADDITIONAL INSURED** provisions or be endorsed. If **SUBROGATION IS WAIVED**, subject to the terms and conditions of the policy, certain policies may require an endorsement. A statement on this certificate does not confer rights to the certificate holder in lieu of such endorsement(s).

**PRODUCER**  
IMA, Inc. - Colorado Division  
1705 17th Street, Suite 100  
Denver CO 80202

**CONTACT NAME:** IMA Denver Team  
**PHONE (A/C, No, Ext):** 303-534-4567 **FAX (A/C, No):**  
**E-MAIL ADDRESS:** DenAccountTechs@imacorp.com

**INSURED**  
Tuff Shed, Inc.  
1777 S. Harrison St. #600  
Denver CO 80210

TUFFSHE

INSURER(S) AFFORDING COVERAGE		NAIC #
INSURER A :	Old Republic Insurance Company	24147
INSURER B :	Continental Insurance Company	35289
INSURER C :		
INSURER D :		
INSURER E :		
INSURER F :		

### COVERAGES

**CERTIFICATE NUMBER:** 2055741448

**REVISION NUMBER:**

THIS IS TO CERTIFY THAT THE POLICIES OF INSURANCE LISTED BELOW HAVE BEEN ISSUED TO THE INSURED NAMED ABOVE FOR THE POLICY PERIOD INDICATED. NOTWITHSTANDING ANY REQUIREMENT, TERM OR CONDITION OF ANY CONTRACT OR OTHER DOCUMENT WITH RESPECT TO WHICH THIS CERTIFICATE MAY BE ISSUED OR MAY PERTAIN, THE INSURANCE AFFORDED BY THE POLICIES DESCRIBED HEREIN IS SUBJECT TO ALL THE TERMS, EXCLUSIONS AND CONDITIONS OF SUCH POLICIES. LIMITS SHOWN MAY HAVE BEEN REDUCED BY PAID CLAIMS.

INSR LTR	TYPE OF INSURANCE	ADDL INSD	SUBR WVD	POLICY NUMBER	POLICY EFF (MM/DD/YYYY)	POLICY EXP (MM/DD/YYYY)	LIMITS	
A	<input checked="" type="checkbox"/> <b>COMMERCIAL GENERAL LIABILITY</b> <input type="checkbox"/> CLAIMS-MADE <input checked="" type="checkbox"/> OCCUR <input checked="" type="checkbox"/> CONTRACTUAL LIAB  GEN'L AGGREGATE LIMIT APPLIES PER: <input type="checkbox"/> POLICY <input checked="" type="checkbox"/> PRO-JECT <input checked="" type="checkbox"/> LOC <input checked="" type="checkbox"/> OTHER: \$5M Aggregate			MWZY31257120	3/1/2020	3/1/2021	EACH OCCURRENCE	\$ 1,000,000
							DAMAGE TO RENTED PREMISES (Ea occurrence)	\$ 500,000
							MED EXP (Any one person)	\$ 10,000
							PERSONAL & ADV INJURY	\$ 1,000,000
							GENERAL AGGREGATE	\$ 2,000,000
							PRODUCTS - COMP/OP AGG	\$ 2,000,000
								\$
A	<input checked="" type="checkbox"/> <b>AUTOMOBILE LIABILITY</b> <input checked="" type="checkbox"/> ANY AUTO <input type="checkbox"/> OWNED AUTOS ONLY <input checked="" type="checkbox"/> HIRED AUTOS ONLY <input checked="" type="checkbox"/> \$250 Cmp Ded <input type="checkbox"/> SCHEDULED AUTOS <input checked="" type="checkbox"/> NON-OWNED AUTOS ONLY <input checked="" type="checkbox"/> \$500 Col Ded			MWTB31257020	3/1/2020	3/1/2021	COMBINED SINGLE LIMIT (Ea accident)	\$ 2,000,000
							BODILY INJURY (Per person)	\$
							BODILY INJURY (Per accident)	\$
							PROPERTY DAMAGE (Per accident)	\$
								\$
B	<input checked="" type="checkbox"/> <b>UMBRELLA LIAB</b> <input checked="" type="checkbox"/> OCCUR <input type="checkbox"/> EXCESS LIAB <input type="checkbox"/> CLAIMS-MADE <input type="checkbox"/> DED <input checked="" type="checkbox"/> RETENTION \$ 0			6076544198	3/1/2020	3/1/2021	EACH OCCURRENCE	\$ 1,000,000
							AGGREGATE	\$ 1,000,000
								\$
A	<input checked="" type="checkbox"/> <b>WORKERS COMPENSATION AND EMPLOYERS' LIABILITY</b> ANY PROPRIETOR/PARTNER/EXECUTIVE OFFICER/MEMBER EXCLUDED? (Mandatory in NH) If yes, describe under DESCRIPTION OF OPERATIONS below			MWC31257220	3/1/2020	3/1/2021	<input checked="" type="checkbox"/> PER STATUTE <input type="checkbox"/> OTH-ER	*States Below
							E.L. EACH ACCIDENT	\$ 1,000,000
							E.L. DISEASE - EA EMPLOYEE	\$ 1,000,000
							E.L. DISEASE - POLICY LIMIT	\$ 1,000,000

DESCRIPTION OF OPERATIONS / LOCATIONS / VEHICLES (ACORD 101, Additional Remarks Schedule, may be attached if more space is required)  
\*All States Included in Workers Compensation: AL, AR, AZ, CA, CO, CT, FL, GA, IA, ID, IL, IN, KS, KY, LA, ME, MD, MA, MI, MN, MO, MS, MT, NE, NH, NJ, NM, NY, NV, NC, OK, OR, PA, SC, TN, TX, UT, VA, WI.

RE: Store 470

### CERTIFICATE HOLDER

City of Belle Isle  
1600 Nela Avenue  
Belle Isle FL 32809  
USA

### CANCELLATION

SHOULD ANY OF THE ABOVE DESCRIBED POLICIES BE CANCELLED BEFORE THE EXPIRATION DATE THEREOF, NOTICE WILL BE DELIVERED IN ACCORDANCE WITH THE POLICY PROVISIONS.

AUTHORIZED REPRESENTATIVE

3200 RETAIL STORE      2019      \$30.00      EXPIRES 9/30/2020      1 EMPLOYEE      3200-1155229

TOTAL TAX      \$30.00  
 PREVIOUSLY PAID      \$30.00  
 TOTAL DUE      \$0.00

SAUREY TOM

TUFF SHED INC  
 SAUREY TOM  
 1777 S HARRISON ST SUITE 600  
 DENVOR CO 80210

8524 E COLONIAL DR  
 U - ORLANDO, 32817

PAID: \$30.00 0099-00887630 7/15/2019

**Tax Collector Scott Randolph**

**Local Business Tax Receipt**

**Orange County, Florida**

This local Business Tax Receipt is in addition to and not in lieu of any other tax required by law or municipal ordinance. Businesses are subject to regulation of zoning, health and other lawful authorities. This receipt is valid from October 1 through September 30 of receipt year. Delinquent penalty is added October 1.

3200 RETAIL STORE      2019      \$30.00      EXPIRES 9/30/2020      1 EMPLOYEE      3200-1155229

TOTAL TAX      \$30.00  
 PREVIOUSLY PAID      \$30.00  
 TOTAL DUE      \$0.00



SAUREY TOM

TUFF SHED INC  
 SAUREY TOM  
 1777 S HARRISON ST SUITE 600  
 DENVOR CO 80210

8524 E COLONIAL DR  
 U - ORLANDO, 32817

PAID: \$30.00 0099-00887630 7/15/2019

This receipt is official when validated by the Tax Collector.

Orange County Code requires this local Business Tax Receipt to be displayed conspicuously at the place of business in public view. It is subject to inspection by all duly authorized officers of the County.

**RICK SINGH, CFA - ORANGE COUNTY PROPERTY APPRAISER**

- Searches
- Sales Search
- Results
- Property Record Card
- My Favorites

Sign up for e-Notify...

**5291 Chiswick Cir** < 20-23-30-9373-00-700 >

Name(s)  
 Fitzgerald Michael Ray  
 Fitzgerald Rhonda Rae  
 Mailing Address On File  
 5291 Chiswick Cir  
 Belle Isle, FL 32812-2114  
 Incorrect Mailing Address?

Physical Street Address  
 5291 Chiswick Cir  
 Postal City and Zipcode  
 Orlando, FL 32812  
 Property Use  
 0103 - Single Fam Class III  
 Municipality  
 Belle Isle



**View 2019 Property Record Card**

- Property Features
- Values, Exemptions and Taxes
- Sales Analysis
- Location Info
- Market Stats

Update Information

**2020 values will be available in August of 2020.**

**Property Description**

WINDSOR PLACE PHASE 1 30/28 LOT 70

**Total Land Area** 14,700 sqft (+/-) | 0.34 acres (+/-) GIS Calculated Notice

**View Plat**

**Land**

Land Use Code	Zoning	Land Units	Unit Price	Land Value	Class Unit Price	Class Value
0100 - Single Family	R-1-AA	1 LOT(S)	working...	working...	working...	working...

Page 1 of 1 (1 total records)

**Buildings**

Important Information		Structure	
<b>Model Code:</b>	01 - Single Fam Residence	<b>Actual Year Built:</b>	1995
<b>Type Code:</b>	0103 - Single Fam Class III	<b>Beds:</b>	4
		<b>Gross Area:</b>	3285 sqft
		<b>Living Area:</b>	2391 sqft