



City of Belle Isle

Universal Engineering Sciences 3532 Maggie Blvd., Orlando, FL 32811
Tel 407-581-8161 \* Fax 407-581-0313 \* www.universalengineering.com

RECEIVED JUL 06 2020

APPLICATION FOR ROOFING PERMIT

WARNING TO OWNER: YOUR FAILURE TO RECORD A NOTICE OF COMMENCEMENT MAY RESULT IN YOUR PAYING TWICE FOR IMPROVEMENTS TO YOUR PROPERTY. A NOTICE OF COMMENCEMENT MUST BE RECORDED AND POSTED ON THE JOB SITE BEFORE THE FIRST INSPECTION. IF YOU INTEND TO OBTAIN FINANCING, CONSULT WITH YOUR LENDER OR AN ATTORNEY BEFORE RECORDING YOUR NOTICE OF COMMENCEMENT.

DATE OF APPLICATION: 6/12/2020

ROOF PERMIT NUMBER 2020-07-014

PLEASE PRINT. The undersigned hereby applies for a permit to make installations as indicated below.

Project Address 4313 Kandra Court, Belle Isle, FL 32809 32812

Property Owner Alfred + Melonize Moore, Phone 407-851-7854

Property Owner's Mailing Address 4313 Kandra Court, Belle Isle FL 32812

State FL Zip Code 32812 Parcel Id Number:

REQUIRED! To obtain this information, please visit http://www.ocpafl.org/Searches/ParcelSearch.aspx

Class of Building: Old [ ] New [x] Type of Building: Residential [ ] Commercial [ ] Other [x] Shed
Type of Work: New Roof [x] ReRoof [ ]

- REQUIRED! Florida Product Approval Form - NOTE: Installation instructions must be posted on-site before your first inspection!!
OSHA Approved Access to the Roof must be made Available to the Inspector

Please indicate the nature of work by completing the information below:

Roof Square Footage: 160 sqft Number of Stories: 1 Job Valuation: \$ 300

Type: Asphalt Shingles [x] Metal [ ] Modified Bitumen [ ] Other:

I hereby certify that the above is true and correct to the best of my knowledge and make Application for Permit as outlined above, and if same is granted I agree to conform to all Florida Building Code Regulations and City Ordinances regulating same and in accordance with plans submitted. The issuance of this permit does not grant permission to violate any applicable Town and/or State of Florida codes and/or ordinances. By signing below, I recognize Republic Services is the legal contract the sole authorized provider of garbage, recycling, yard waste, and commercial garbage and construction debris collection and disposal services with the city limits of the City. Contractors, homeowners and commercial businesses may contact Republic Services at 407-293-8000 to setup accounts for Commercial, Construction Roll Off, or other services needed. Rates are fixed by contract and are available at City Hall or from Republic Services. The City enforces the contract through its code enforcement office. Failure to comply will result in a stop work order.

homeowner
LICENSE HOLDER SIGNATURE Alfred J. Moore LICENSE # NA

LICENSE HOLDER NAME Alfred J. Moore COMPANY NAME None

Street Address 4313 Kandra Ct

City Belle Isle State Fla Zip Code 32812 Phone Number 407-851-7854

Email Address mmmscreen@rol.com

Building Official: \_\_\_\_\_ Date \_\_\_\_\_
Verified Contractor's Licenses & Insurance are on file \_\_\_\_\_ Date \_\_\_\_\_

Table with 2 columns: Fee Name, Amount. Includes Zoning Fee (\$ NEW), Building Fee (\$ 25.-), Review Fee (\$ 12.50), 1% BCAIB Fee (\$ 2 min), 1.5% DCA Fee (\$ 2 min), Total Permit Fee (\$ 41.50)

NOTE: The Building Permit Number is required if the Roof Installation is associated with any construction or alteration where a Building Permit has been issued

25.-
12.50

~~INCOMPLETE~~



**City of Belle Isle**  
 Universal Engineering Sciences 3532 Maggie Blvd., Orlando, FL 32811  
 Tel 407-581-8161 \* Fax 407-581-0313 \* [www.universalengineering.com](http://www.universalengineering.com)

**Product Approval Form**

DATE: 6/19/2020

PERMIT # 2020-07-014

PROJECT ADDRESS \_\_\_\_\_, Belle Isle, FL \_\_\_\_\_ 32809 \_\_\_\_\_ 32812

As required by Florida Statute 553.842 and Florida Administrative Code 9B-72m, please provide the information and approval numbers of the building components listed below if they will be utilized on the building or structure. FL Approved products are listed online at [www.floridabuilding.org](http://www.floridabuilding.org) or can be obtained from the local product supplier. The following information must be turned in with permit application and available onsite for inspections:

- **This Product Approval Cover Sheet**
- **Internet screen printout from FloridaBuilding.Org showing PA#, approval code and edition stamped**
- **Manufacturer's installation details from FloridaBuilding.Org and requirements for each product stamped**
- **The installation instructions must be posted on-site before your first inspection**

Product Type	Manufacturer	Model/Series	FL Product Approval #	Product Type	Manufacturer	Model/Series	FL Product Approval #
EXTERIOR DOORS				WALL PANELS			
Swinging				Siding			
Sliding				Soffits			
Sectional/Rollup				Storefront			
Other				Glass Block			
				Other			
WINDOWS				ROOFING PRODUCTS			
Single/Dbl Hung				Asphalt Shingles	GAF	Timberline 10124.1	
Horizontal Slider				Non Struct Metal			
Casement				Roofing Tiles			
Fixed				Single Ply Roof			
Mullion				Underlayment	GAF	Weather Watch 10124.R20	
Skylights				Other		Leak Guard	
Other							
STRUCTURAL COMPONENTS				OTHER			
Wood Connectors							
Wood Anchors							
Truss Plates							
Insulation Forms							
Lintels							
Other							

?  
Same #

It is the applicant's responsibility to verify that specific products have been installed in accordance with their limitations and with the minimum required design pressures for the structure. Specific compliance will be verified during field inspections.

Applicant Signature Alfred J. Moore

Date 6/19/2020



[BCIS Home](#) | [Log In](#) | [User Registration](#) | [Hot Topics](#) | [Submit Surcharge](#) | [Stats & Facts](#) | [Publications](#) | [Contact Us](#) | [BCIS Site Map](#) | [Links](#) | [Search](#)



**Product Approval**  
USER: Public User

[Product Approval Menu](#) > [Product or Application Search](#) > [Application List](#) > **Application Detail**



FL #	FL10124-R26												
Application Type	Revision												
Code Version	2017												
Application Status	Approved												
Comments													
Archived	<input type="checkbox"/>												
Product Manufacturer	GAF												
Address/Phone/Email	1 Campus Drive Parisppany, NJ 07054 (800) 766-3411 mstieh@gaf.com												
Authorized Signature	Robert Nieminen lreith@nemoetc.com												
Technical Representative	William Broussard												
Address/Phone/Email	1 Campus Drive Parsippany, NJ 07054 (800) 766-3411 TechnicalQuestionsGAF@gaf.com												
Quality Assurance Representative													
Address/Phone/Email													
Category	Roofing												
Subcategory	Asphalt Shingles												
Compliance Method	Evaluation Report from a Florida Registered Architect or a Licensed Florida Professional Engineer <input type="checkbox"/> Evaluation Report - Hardcopy Received												
Florida Engineer or Architect Name who developed the Evaluation Report	Robert Nieminen												
Florida License	PE-59166												
Quality Assurance Entity	UL LLC												
Quality Assurance Contract Expiration Date	12/16/2022												
Validated By	John W. Knezevich, PE <input checked="" type="checkbox"/> Validation Checklist - Hardcopy Received												
Certificate of Independence	<a href="#">FL10124 R26 COI 2020 01 COI NIEMINEN.pdf</a>												
Referenced Standard and Year (of Standard)	<table border="0"> <thead> <tr> <th><u>Standard</u></th> <th><u>Year</u></th> </tr> </thead> <tbody> <tr> <td>ASTM D1970</td> <td>2015</td> </tr> <tr> <td>ASTM D3161</td> <td>2016</td> </tr> <tr> <td>ASTM D3462</td> <td>2010</td> </tr> <tr> <td>ASTM D7158</td> <td>2011</td> </tr> <tr> <td>TAS 107</td> <td>1995</td> </tr> </tbody> </table>	<u>Standard</u>	<u>Year</u>	ASTM D1970	2015	ASTM D3161	2016	ASTM D3462	2010	ASTM D7158	2011	TAS 107	1995
<u>Standard</u>	<u>Year</u>												
ASTM D1970	2015												
ASTM D3161	2016												
ASTM D3462	2010												
ASTM D7158	2011												
TAS 107	1995												
Equivalence of Product Standards Certified By													
Sections from the Code													

Product Approval Method	Method 1 Option D
Date Submitted	02/12/2020
Date Validated	02/13/2020
Date Pending FBC Approval	02/16/2020
Date Approved	04/07/2020
Date Revised	06/08/2020

**Summary of Products**

FL #	Model, Number or Name	Description
10124.1	GAF Asphalt Roof Shingles	Fiberglass reinforced 3-tab, laminated, 5-tab and hip/ridge asphalt shingles
<b>Limits of Use</b> <b>Approved for use in HVHZ:</b> No <b>Approved for use outside HVHZ:</b> Yes <b>Impact Resistant:</b> N/A <b>Design Pressure:</b> N/A <b>Other:</b> Refer to ER, Section 5.		<b>Installation Instructions</b> <a href="#">FL10124_R26_II_2020_02_FINAL_ER_GAF ASPHALT SHINGLES_FL10124-R26.pdf</a> Verified By: Robert Nieminen PE-59166 Created by Independent Third Party: Yes <b>Evaluation Reports</b> <a href="#">FL10124_R26_AE_2020_02_FINAL_ER_GAF ASPHALT SHINGLES_FL10124-R26.pdf</a> Created by Independent Third Party: Yes

[Back](#) [Next](#)

Contact Us :: [2601 Blair Stone Road, Tallahassee FL 32399](#) Phone: 850-487-1824

The State of Florida is an AA/EEO employer. [Copyright 2007-2013 State of Florida.](#) :: [Privacy Statement](#) :: [Accessibility Statement](#) :: [Refund Statement](#)

Under Florida law, email addresses are public records. If you do not want your e-mail address released in response to a public-records request, do not send electronic mail to this entity. Instead, contact the office by phone or by traditional mail. If you have any questions, please contact 850.487.1395. \*Pursuant to Section 455.275 (1), Florida Statutes, effective October 1, 2012, licensees licensed under Chapter 455, F.S. must provide the Department with an email address if they have one. The emails provided may be used for official communication with the licensee. However email addresses are public record. If you do not wish to supply a personal address, please provide the Department with an email address which can be made available to the public. To determine if you are a licensee under Chapter 455, F.S., please click [here](#).



Credit Card  
**Safe**





**NEMO|etc.**

Certificate of Authorization #32455  
353 Christian Street, Unit #13  
Oxford, CT 06478  
(203) 262-9245

ENGINEER

EVALUATE

TEST

CONSULT

**EVALUATION REPORT**

**GAF**

1 Campus Drive  
Parsippany, NJ 07054  
**(800) 766-3411**

**Evaluation Report 01506.01.08-R28**

**FL10124-R26**

**Date of Issuance: 01/03/2008**

**Revision 28: 02/03/2020**

**SCOPE:**

This Evaluation Report is issued under **Rule 61G20-3** and the applicable rules and regulations governing the use of construction materials in the State of Florida. The documentation submitted has been reviewed by Robert Nieminen, P.E. for use of the product under the Florida Building Code and Florida Building Code, Residential Volume. The products described herein have been evaluated for compliance with the **6<sup>th</sup> Edition (2017) Florida Building Code** sections noted herein.

**DESCRIPTION: GAF Asphalt Roof Shingles**

**LABELING:** Labeling shall be in accordance with the requirements of the Accredited Quality Assurance Agency noted herein and **FBC 1507.2.7.1 / R905.2.6.1**

**CONTINUED COMPLIANCE:** This Evaluation Report is valid until the named product(s) changes, the referenced Quality Assurance documentation changes, or provisions of the Code that relate to the product change. Acceptance of this Evaluation Report by the named client constitutes agreement to notify Robert Nieminen, P.E. of any changes to the product(s), the Quality Assurance or the production facility location(s). NEMO|etc. requires a complete review of this Evaluation Report relative to updated Code requirements with each Code Cycle.

**ADVERTISEMENT:** The Evaluation Report number preceded by the words "NEMO|etc. Evaluated" may be displayed in advertising literature. If any portion of the Evaluation Report is displayed, then it shall be done in its entirety.

**INSPECTION:** Upon request, a copy of this entire Evaluation Report shall be provided to the user by the manufacturer or its distributors and shall be available for inspection at the job site at the request of the Building Official.

This Evaluation Report consists of pages 1 through 7.

**Prepared by:**



The facsimile seal appearing was authorized by Robert Nieminen, P.E. on 02/03/2020. This does not serve as an electronically signed document.

**Robert J.M. Nieminen, P.E.**

*Florida Registration No. 59166, Florida DCA ANE1983*

**CERTIFICATION OF INDEPENDENCE:**

1. NEMO|etc. does not have, nor does it intend to acquire, or will it acquire, a financial interest in any company manufacturing or distributing products it evaluates.
2. NEMO|etc. is not owned, operated or controlled by any company manufacturing or distributing products it evaluates.
3. Robert Nieminen, P.E. does not have nor will acquire, a financial interest in any company manufacturing or distributing products for which the evaluation reports are being issued.
4. Robert Nieminen, P.E. does not have, nor will acquire, a financial interest in any other entity involved in the approval process of the product.
5. This is a building code evaluation. Neither NEMO|etc. nor Robert Nieminen, P.E. are, in any way, the Designer of Record for any project on which this Evaluation Report, or previous versions thereof, is/was used for permitting or design guidance unless retained specifically for that purpose.



**ROOFING SYSTEMS EVALUATION:**

**1. SCOPE:**

**Product Category:** Roofing

**Sub-Category:** Asphalt Shingles

**Compliance Statement:** GAF Asphalt Roof Shingles, as produced by GAF, have demonstrated compliance with the following sections of the 6<sup>th</sup> Edition (2017) Florida Building Code and Florida Building Code, Residential Volume through testing in accordance with the following Standards. Compliance is subject to the Installation Requirements and Limitations / Conditions of Use set forth herein.

**2. STANDARDS:**

<u>Section</u>	<u>Property</u>	<u>Standard</u>	<u>Year</u>
1507.2.4, R905.2.3	Physical Properties	ASTM D1970	2015
1507.2.5, R905.2.4	Physical Properties	ASTM D3462	2010
1507.2.7.1, R905.2.6.1	Wind Resistance	ASTM D3161	2016
1507.2.7.1, R905.2.6.1	Wind Resistance	ASTM D7158	2011
1507.2.7.1, R905.2.6.1	Wind Resistance	TAS 107	1995

**3. REFERENCES:**

<u>Entity</u>	<u>Examination</u>	<u>Reference</u>	<u>Date</u>
PRI (TST 5878)	Physical Properties	GAF-025-02-01	03/27/2002
PRI (TST 5878)	ASTM D3462	GAF-059-02-01	09/02/2004
PRI (TST 5878)	ASTM D3462	GAF-080-02-01	05/25/2005
PRI (TST 5878)	Physical Properties	GAF-324-02-01	12/01/2011
PRI (TST 5878)	ASTM D1970 (QuickStart)	GAF-340-02-01	03/13/2012
PRI (TST 5878)	Wind Driven Rain	GAF-407-02-01	01/21/2013
PRI (TST 5878)	Wind Driven Rain	GAF-895-02-01	11/20/2018
PRI (TST 5878)	Wind Driven Rain	GAF-896-02-01	11/20/2018
PRI (TST 5878)	ASTM D3462	GAF-897-02-01	11/08/2018
PRI (TST 5878)	ASTM D3462	GAF-898-02-01	11/08/2018
PRI (TST 5878)	ASTM D3462	GAF-899-02-01	11/15/2018
UL (TST 1740)	ASTM D3462	93NK6295	11/29/1993
UL (TST 1740)	ASTM D3462	99NK43835	01/12/2000
UL (TST 1740)	TAS 107	94NK9632	03/29/2000
UL (TST 1740)	ASTM D3462	01NK06632	02/02/2001
UL (TST 1740)	ASTM D3161, TAS 107	01NK9226	05/21/2001
UL (TST 1740)	ASTM D3161	01NK37122	12/18/2001
UL (TST 1740)	ASTM D3462	01NK37122	12/19/2001
UL (TST 1740)	ASTM D3161, TAS 107	02NK12980	04/10/2002
UL (TST 1740)	ASTM D3161, TAS 107	02NK30871	09/09/2002
UL (TST 1740)	ASTM D3161	03CA5367	03/11/2003
UL (TST 1740)	ASTM D3462	03NK26444	10/17/2003
UL (TST 1740)	ASTM D3462	04NK13850	06/07/2004
UL (TST 1740)	ASTM D3161	04NK13850	06/23/2004
UL (TST 1740)	ASTM D3161	04NK30546	03/10/2005
UL (TST 1740)	ASTM D3462	04NK22009	05/06/2005
UL (TST 1740)	ASTM D3161	04NK22009	05/09/2005
UL (TST 1740)	ASTM D3462	05NK27924	02/10/2006
UL (TST 1740)	ASTM D3161	05NK27924	02/11/2006
UL (TST 1740)	ASTM D3161, D3462	06CA18077	06/05/2006
UL (TST 1740)	ASTM D3161, D3462	06CA18074	06/16/2006
UL (TST 1740)	ASTM D3161, D3462	06CA35251	10/18/2006
UL (TST 1740)	ASTM D3462	06CA31603	12/01/2006
UL (TST 1740)	ASTM D3161, D3462	06CA41095	12/27/2006
UL (TST 1740)	ASTM D3161	07NK05228	03/13/2007



<u>Entity</u>	<u>Examination</u>	<u>Reference</u>	<u>Date</u>
UL (TST 1740)	ASTM D3161	06CA31611	04/04/2007
UL (TST 1740)	ASTM D3161	06CA61148	04/09/2007
UL (TST 1740)	ASTM D3161, D3462	07CA31742	11/08/2007
UL (TST 1740)	ASTM D3161, D7158, D3462	08CA06100	03/13/2008
UL, LLC. (TST 9628)	ASTM D3161	4788698165	03/24/2008
UL (TST 1740)	ASTM D3161, D3462	07CA55908	04/01/2008
UL (TST 1740)	ASTM D3161, D3462	09CA10592	03/26/2009
UL (TST 1740)	ASTM D3161, D3462	09CA06856	05/15/2009
UL (TST 1740)	ASTM D3161, D7158, D3462	09NK06647	08/01/2009
UL (TST 1740)	ASTM D3161, D7158, D3462	09CA27281	08/27/2009
UL (TST 1740)	ASTM D3161, D7158, D3462	10CA35554	03/05/2010
UL (TST 1740)	ASTM D3161, D7158, D3462	10CA13686	05/15/2010
UL (TST 1740)	ASTM D3462	10CA07264	05/27/2010
UL (TST 1740)	ASTM D3462	10CA11953	10/29/2010
UL (TST 1740)	ASTM D3161, D7158, D3462	10NK11951	10/30/2010
UL (TST 1740)	ASTM D3161, D7158, D3462	10NK12070	11/04/2010
UL (TST 1740)	ASTM D3161, D7158, D3462	08CA06100	01/30/2010
UL (TST 1740)	ASTM D3161, D7158, D3462	10CA53934	03/31/2011
UL (TST 1740)	ASTM D3161, D7158, D3462	11CA48924	10/22/2011
UL (TST 1740)	ASTM D3161, D7158, D3462	11CA47919	12/03/2011
UL (TST 1740)	ASTM D3161, D7158, D3462	11CA48408	12/08/2011
UL (TST 1740)	ASTM D3161, D7158, D3462	11CA48725	12/09/2011
UL, LLC. (TST 9628)	ASTM D3462	12CA34891	10/12/2012
UL, LLC. (TST 9628)	ASTM D3161, D7158, D3462	12CA58151	02/15/2013
UL, LLC. (TST 9628)	ASTM D3161	12CA38083	02/26/2013
UL, LLC. (TST 9628)	ASTM D3161	13CA32332	06/18/2013
UL, LLC. (TST 9628)	ASTM D3161	13CA37934	08/02/2013
UL, LLC. (TST 9628)	ASTM D3161, D7158, D3462	4786875675	07/17/2015
UL, LLC. (TST 9628)	ASTM D3161, D7158, D3462	4787434542	05/17/2016
UL, LLC. (TST 9628)	ASTM D3161, D7158, D3462	4788717529	09/09/2016
UL, LLC. (TST 9628)	ASTM D3161	4788669132	12/13/2018
UL, LLC. (TST 9628)	ASTM D3161	4788891098	02/14/2019
UL, LLC. (TST 9628)	ASTM D3161, D7158, D3462	4788932264	08/16/2019
UL, LLC. (TST 9628)	ASTM D3161, D7158, D3462	4789115488	08/16/2019
UL, LLC. (TST 9628)	ASTM D3161	4788959558	10/17/2019
UL, LLC. (TST 9628)	ASTM D3161, D7158, D3462	4786508528	11/01/2019
UL, LLC. (TST 9628)	ASTM D3161	4789132672	11/27/2019
UL, LLC. (QUA 9625)	Quality Control	Service Confirmation	10/18/2018

<b>4. PRODUCT DESCRIPTION:</b>
<b>4.1 ACCESSORY STARTER STRIPS:</b>

- 4.1.1 Pro-Start® Eave/Rake Starter Strip Shingles and WeatherBlocker™ Premium Eave/Rake Starter Strip Shingles are starter strips for asphalt roof shingles. Meets ASTM D3462.
- 4.1.2 QuickStart® Peel & Stick Starter Roll is a mineral-surfaced, fiberglass-reinforced, self-adhering SBS modified bitumen starter strip, nominal 9-inch x 33 ft roll, for use with asphalt shingles with exposure of 6-inch or less. Meets ASTM D1970.
- 4.1.3 StarterMatch™ Starter Strip Shingles are color-coordinated starter strips for use with Grand Canyon® and Grand Sequoia® series asphalt shingles. StarterMatch™ are installed as the second starter for Grand Canyon® and Grand Sequoia® series installations. Meets ASTM D3462.



**4.2 ASPHALT SHINGLES:**

- 4.2.1 Marquis WeatherMax®, Royal Sovereign® and Sentinel® are a fiberglass reinforced 3-tab asphalt roof shingles.
- 4.2.2 Camelot®, Camelot® II, Fortitude™, Glenwood™, Grand Canyon®, Grand Sequoia®, Grand Sequoia® IR, Grand Sequoia® ArmorShield®, Grand Sequoia® AS, Sienna®, Timberline® American Harvest®, Timberline® AH, Timberline® ArmorShield® II, Timberline® AS II, Timberline® Natural Shadow®, Timberline® NS, Timberline® HD, Timberline® HDZ™, Timberline® Cool Series, Timberline® CS, Timberline® Ultra HD, Timberline® UHD and Woodland® are fiberglass reinforced, laminated asphalt roof shingles.
- 4.2.3 Slateline™ is a fiberglass reinforced 5-tab asphalt roof shingle.

**4.3 HIP & RIDGE SHINGLES:**

- 4.3.1 Seal-A-Ridge® Protective Ridge Cap Shingles (fka, Seal-A-Ridge® Ridge Cap Shingles), Seal-A-Ridge® ArmorShield®, Seal-A-Ridge® AS and Timbertex® Premium Ridge Cap Shingles are fiberglass reinforced, hip and ridge asphalt roof shingles.

**5. LIMITATIONS:**

- 5.1 This is a building code evaluation. Neither NEMO ETC, LLC nor Robert Nieminen, P.E. are, in any way, the Designer of Record for any project on which this Evaluation Report, or previous versions thereof, is/was used for permitting or design guidance unless retained specifically for that purpose.
- 5.2 This Evaluation Report is not for use in FBC HVHZ jurisdictions.
- 5.3 Fire Classification is not part of this Evaluation Report; refer to current Approved Roofing Materials Directory for fire ratings of this product.

**5.4 Wind Classification:**

- 5.4.1 Pro-Start® Eave/Rake Starter Strip Shingles and WeatherBlocker™ Premium Eave/Rake Starter Strip Shingles are Classified in accordance with FBC Tables 1507.2.7.1 and R905.2.6.1 to ASTM D3161, Class F, indicating the shingles are acceptable for use in all wind zones up to  $V_{asd} = 150$  mph ( $V_{ult} = 194$  mph).
- 5.4.2 The GAF asphalt shingles noted in Section 4.2 are Classified in accordance with FBC Tables 1507.2.7.1 and R905.2.6.1 to ASTM D3161, Class F and/or ASTM D7158, Class H, indicating the shingles are acceptable for use in all wind zones up to  $V_{asd} = 150$  mph ( $V_{ult} = 194$  mph). Refer to Section 6 for installation requirements to meet this wind rating.

Note: Classification by ASTM D7158 applies only to exposure category B or C, as defined in FBC 1609.4.3, and a mean roof height of 60 feet or less. Calculations by a qualified design professional are required for conditions outside these limitations. Contact the shingle manufacturer for data specific to each shingle.

- 5.4.3 The GAF hip & ridge shingles noted in Section 4.3 are Classified in accordance with FBC Tables 1507.2.7.1 and R905.2.6.1 to ASTM D3161, Class F, indicating the shingles are acceptable for use in all wind zones up to  $V_{asd} = 150$  mph ( $V_{ult} = 194$  mph). Refer to Section 6 for installation requirements to meet this wind rating.
- 5.5 All products in the roof assembly shall have quality assurance audit in accordance with F.A.C. Rule 61G20-3.



**6. INSTALLATION:**

**6.1 GENERAL:**

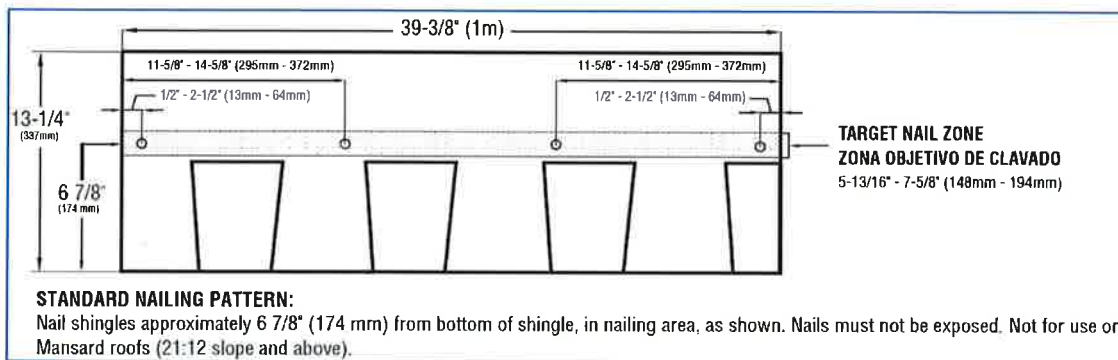
- 6.1.1 Roof deck, slope, underlayment and fasteners shall comply with FBC 1507.2 / R905.2 and the shingle manufacturer's minimum requirements.
- 6.1.2 Underlayment shall be acceptable to GAF and shall hold current Florida Statewide Product Approval, or be Locally Approved per Rule 61G20-3, per FBC Sections 1507.2.3, 1507.2.4 or R905.2.3.
- 6.1.3 Fasteners shall be in accordance with manufacturer's published requirements, but not less than FBC 1507.2.6 or R905.2.5. Staples are not permitted.
- 6.1.4 GAF asphalt shingles are acceptable for use in reroof (tear-off) or recover applications, subject to the limitations set forth in FBC Section 1511 or R908 and GAF published installation instructions.

**6.2 STARTER SHINGLES OR STARTER STRIP:**

- 6.2.1 Installation of Pro-Start® Eave/Rake Starter Strip Shingles, WeatherBlocker™ Premium Eave/Rake Starter Strip Shingles and QuickStart® Peel & Stick Starter Roll shall comply with the GAF current published instructions.

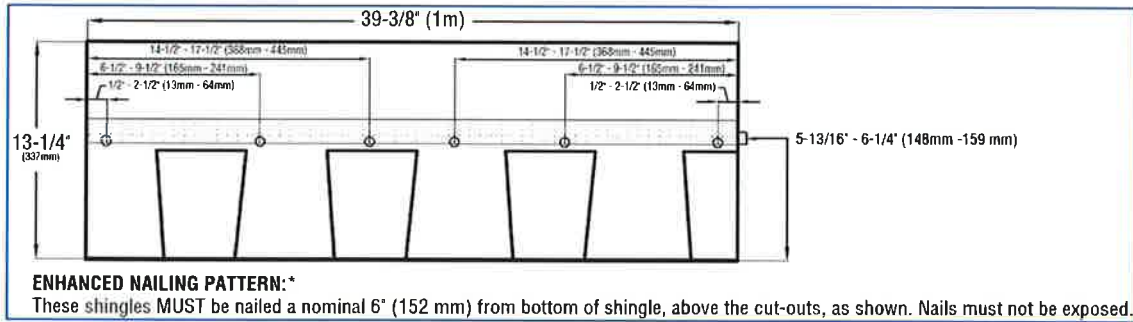
**6.3 ASPHALT SHINGLES:**

- 6.3.1 Installation of asphalt shingles shall comply with the GAF current published instructions, using minimum four (4) nails per shingle in accordance with FBC 1507.2.7 or R905.2.6, with the following exceptions:
  - Camelot®, Camelot® II, Grand Canyon®, Grand Sequoia®, Grand Sequoia® IR, Grand Sequoia® ArmorShield®, and Woodland® require minimum five (5) nails per shingle.
  - Slateline™ requires minimum six (6) nails per shingle.
- 6.3.2 Fasteners shall be in accordance with manufacturer's published requirements, but not less than FBC 1507.2.6 or R905.2.5. Staples are not permitted.
- 6.3.2.1 Fastening for Fortitude™, Timberline® AH, Timberline® CS and Timberline® HDZ™; slopes 2:12 up to 21:12



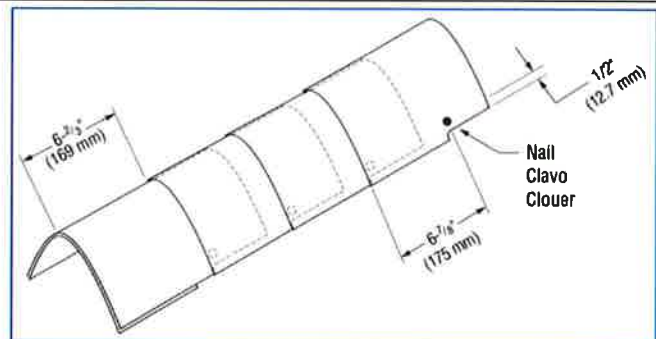
- 6.3.3 Where the roof slope exceeds 21 units vertical in 12 units horizontal, special methods of fastening are required. Contact the GAF for details.

6.3.3.1 Fastening for Fortitude™, Timberline® AH, Timberline® CS and Timberline® HDZ™; slopes greater than 21:12

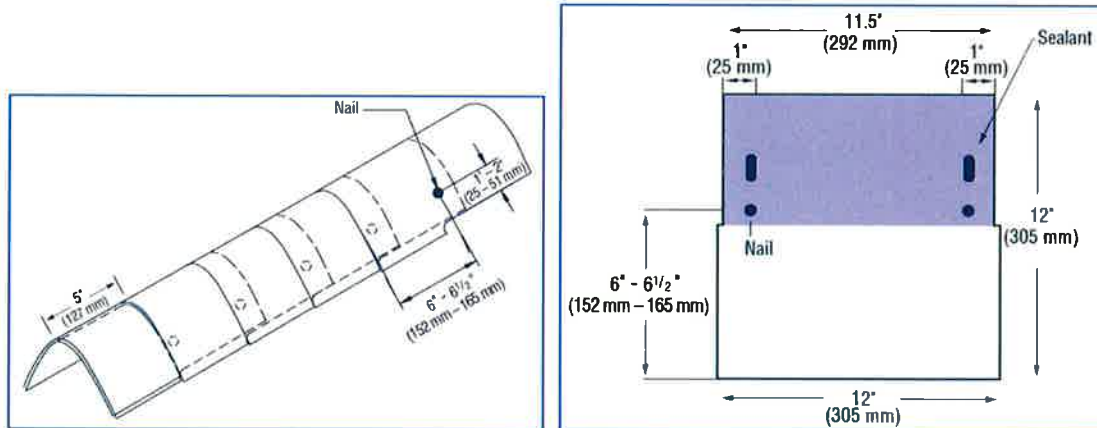


**6.4 HIP & RIDGE SHINGLES:**

6.4.1 Installation of Seal-A-Ridge® Protective Ridge Cap Shingles (fka, Seal-A-Ridge® Ridge Cap Shingles) shall comply with the GAF current published instructions with a minimum two (2) nails, minimum 3/8-inch head diameter located 6-7/8-inch back from the exposed end and 0.5-inch from the edge.

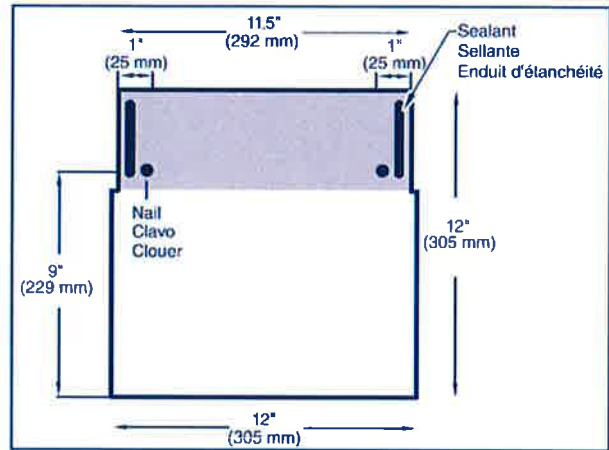


6.4.2 Installation of Seal-A-Ridge® ArmorShield® and Seal-A-Ridge® AS shall comply with the GAF current published instructions with a minimum two (2) nails, minimum 3/8-inch head diameter, per shingle located 6 to 6.5-inch back from the exposed end and 1 to 2-inch from the edge, and nominal 0.25-inch diameter beads of Henkel “Loctite PL S30 Roof & Flashing Sealant”.





6.4.3 Installation of Timbertex® Premium Ridge Cap Shingles shall comply with GAF current published instructions with a minimum two (2) nails, minimum 3/8-inch head diameter, per shingle and beads of Sonneborn "NP1 Gun Grade Polyurethane Sealant" or Henkel "PL Roofing and Flashing Sealant".



6.4.3 Fasteners shall be in accordance with GAF published requirements, but not less than FBC 1507.2.6 or R905.2.5. Staples are not permitted.

**7. LABELING:**

7.1 Labeling shall be in accordance with the requirements the Accredited Quality Assurance Agency noted herein.

7.2 Asphalt shingle wrappers shall indicate compliance with one of the required classifications detailed in **FBC Table 1507.2.7.1 / R905.2.6.1**.

**8. BUILDING PERMIT REQUIREMENTS:**

As required by the Building Official or Authority Having Jurisdiction in order to properly evaluate the installation of this product.

**9. MANUFACTURING PLANTS:**

Contact the named QA entity for information on which plants produce products covered by Florida Rule 61G20-3 QA requirements.

**10. QUALITY ASSURANCE ENTITY:**

UL LLC – QUA9625; (414) 248-6409; [karen.buchmann@ul.com](mailto:karen.buchmann@ul.com)

- END OF EVALUATION REPORT -

 **RICK SINGH, CFA - ORANGE COUNTY PROPERTY APPRAISER**

- [Searches](#)
- [Sales Search](#)
- [Results](#)
- [Property Record Card](#)
- [My Favorites](#)

[Sign up for e-Notify...](#)

**4313 Kandra Ct** < 20-23-30-1646-00-430 >

Name(s)	Physical Street Address
Moore Alfred J	4313 Kandra Ct
Moore Meloneze M	Postal City and Zipcode
Mailing Address On File	Orlando, FL 32812
4313 Kandra Ct	Property Use
Belle Isle, FL 32812-2827	0103 - Single Fam Class III
<a href="#">Incorrect Mailing Address?</a>	Municipality
	Belle Isle



**View 2019 Property Record Card**

- [Property Features](#)
- [Values, Exemptions and Taxes](#)
- [Sales Analysis](#)
- [Location Info](#)
- [Market Stats](#)
- [Update Information](#)

**2020 values will be available in August of 2020.**

**Property Description**

[View Plat](#)

CONWAY EAST 4/122 LOT 43


**Total Land Area** 10,201 sqft (+/-) | 0.23 acres (+/-) GIS Calculated Notice

**Land**

Land Use Code	Zoning	Land Units	Unit Price	Land Value	Class Unit Price	Class Value
0100 - Single Family	R-1-AA	1 LOT(S)	working...	working...	working...	working...

Page 1 of 1 (1 total records)

**Buildings**

Important Information		Structure	
	<b>Model Code:</b> 01 - Single Fam Residence	<b>Actual Year Built:</b> 1977	<b>Gross Area:</b> 3070 sqft
	<b>Type Code:</b> 0103 - Single Fam Class III	<b>Beds:</b> 3	<b>Living Area:</b> 2529 sqft
	<b>Building Value:</b> working...	<b>Baths:</b> 2.5	<b>Exterior Wall:</b> Concrete/Cinder Block
	<b>Estimated New Cost:</b> working...	<b>Floors:</b> 1	<b>Interior Wall:</b> Drywall

Page 1 of 1 (1 total records)

**Extra Features**

Description	Date Built	Units	XFOB Value
SHNV - Shed No Value	01/01/1997	1 Unit(s)	working...
FPL2 - Fireplace 2	01/01/2003	1 Unit(s)	working...

Page 1 of 1 (2 total records)

This Data Printed on 07/06/2020 and System Data Last Refreshed on 07/05/2020