



City of Belle Isle Job Site Permit Card **ROOF** 2020-11-059

Class: Residential **Site Address:** 2807 Trentwood Blvd Belle Isle, FL 32812
Parcel Number: 30-23-30-0000-00-009 Municipality Belle Isle

INSPECTIONS CANNOT BE SCHEDULED IF A NOC IS PENDING FOR THIS PROJECT

Description of Work: ROOF for Shed **Number of Stories:** ONE
ASPHALT SHINGLES with underlayment **Square Footage:** 270

Issued: Aponte Luis O HOME OWNER Contact # 407 451-0339

Payment/ Issued Date & Method: ____ / ____ / 2020

- Picked up by _____ Sent by mail to the mailing address Emailed
- Visa Master Card Amex Discover Check / Money Order#

| | | | | | | | | | | | | | |
|--|--|--|--|--|--|--|--|--|--|--|--|--|--|
| | | | | | | | | | | | | | |
|--|--|--|--|--|--|--|--|--|--|--|--|--|--|

| ROOF | INSPECTOR | DATE | COMMENTS |
|---|-----------|------|--|
| NEW ROOFS ONLY Code 700 Deck Nailing, Dry-In, Flashing | | | This inspection only applies for a NEW roof only! |
| Both new & re-roof Code 710 In - Progress | | | Underlayment & Dry-in with UP TO 25% shingle coverage |
| Both new & re-roof Code 720 Final | | | Schedule when roof is COMPLETE. |

Changed Plans to
 Admining in Shed

PLEASE NOTE: In order to schedule any inspections, the PERMIT / plans-specs. must be issued and POSTED on the JOB SITE! THIS WILL AVOID ANY FAILED INSPECTIONS & RE-INSPECTION FEES. A permit expires in 6 months if approved inspections are not recorded /scheduled within that time frame. You are responsible for scheduling and keeping track all of your inspections - **☆ Inspection requests are to be emailed to BIOScheduling@UniversalEngineering.com; a confirmation email will be sent back to you upon scheduling. Next-Day Inspection requests must be made by 3:00 p.m.** Please include the following requirements in your request:

- **Project Address**
- **Corresponding Permit Number**
- **Type of Inspection** (Please reference your permit card for inspection codes)
- **Date of Inspection** (If no date is specified, the inspection will be scheduled for the next business day)
- **Contact Name**
- **Contact Phone Number**
- **Gate / Entry code** (If applicable)
- **AM, PM, or Any Time** (We do our best to accommodate time requests but cannot guarantee an exact arrival)

Universal Engineering Sciences - 3532 Maggie Blvd., Orlando, FL 32811 407-581-8161 • Fax 407-581-0313 www.universalengineering.com

"WARNING TO OWNER: YOUR FAILURE TO RECORD A NOTICE OF COMMENCEMENT MAY RESULT IN YOUR PAYING TWICE FOR IMPROVEMENTS TO YOUR PROPERTY. IF YOU INTEND TO OBTAIN FINANCING, CONSULT WITH YOUR LENDER OR AN ATTORNEY BEFORE RECORDING YOUR NOTICE OF COMMENCEMENT."



RECEIVED
NOV 23 2020

City of Belle Isle
Universal Engineering Sciences 3532 Maggie Blvd., Orlando, FL 32811
Tel 407-581-8161 * Fax 407-581-0313 * www.universalengineering.com

APPLICATION FOR ROOFING PERMIT

WARNING TO OWNER: YOUR FAILURE TO RECORD A NOTICE OF COMMENCEMENT MAY RESULT IN YOUR PAYING TWICE FOR IMPROVEMENTS TO YOUR PROPERTY. A NOTICE OF COMMENCEMENT MUST BE RECORDED AND POSTED ON THE JOB SITE BEFORE THE FIRST INSPECTION. IF YOU INTEND TO OBTAIN FINANCING, CONSULT WITH YOUR LENDER OR AN ATTORNEY BEFORE RECORDING YOUR NOTICE OF COMMENCEMENT.

DATE OF APPLICATION: _____

ROOF PERMIT NUMBER 2020-11-059

PLEASE PRINT. The undersigned hereby applies for a permit to make installations as indicated below:

Project Address 2807 Trentwood Blvd, Belle Isle, FL 32809^X 32812

Property Owner Luis Aponte Phone _____

Property Owner's Mailing Address 2807 Trentwood Blvd City Belle Isle

State Florida Zip Code 32812 Parcel Id Number: 30-23-30-0000-00-009

REQUIRED! To obtain this information, please visit <http://www.ocpaf.org/Searches/ParcelSearch.aspx>

Class of Building: Old New Type of Building: Residential Commercial Other
Type of Work: New Roof ReRoof

- **REQUIRED!** Florida Product Approval Form – NOTE: installation instructions must be posted on-site before your first inspection!!
- OSHA Approved Access to the Roof must be made Available to the Inspector

Please indicate the nature of work by completing the information below:

Roof Square Footage: 2009 2705 sqft Number of Stories: 1 Job Valuation: \$ 30000

Type: Asphalt Shingles Metal Modified Bitumen Other: _____

I hereby certify that the above is true and correct to the best of my knowledge and make Application for Permit as outlined above, and if same is granted I agree to conform to all Florida Building Code Regulations and City Ordinances regulating same and in accordance with plans submitted. The issuance of this permit does not grant permission to violate any applicable Town and/or State of Florida codes and/or ordinances. By signing below, I recognize Republic Services is by legal contract the sole authorized provider of garbage, recycling, yard waste, and commercial garbage and construction debris collection and disposal services with the city limits of the City. Contractors, homeowners and commercial businesses may contact Republic Services at 407-293-8000 to setup accounts for Commercial, Construction Roll Off, or other services needed. Rates are fixed by contract and are available at City Hall or from Republic Services. The City enforces the contract through its code enforcement office. Failure to comply will result in a stop work order.

Home Owner
LICENSE HOLDER SIGNATURE Luis Aponte LICENSE # by owner

LICENSE HOLDER NAME Luis Aponte COMPANY NAME _____

Street Address 2807 Trentwood Blvd

City Belle Isle State FL Zip Code 32812 Phone Number 407-451-0339

Email Address loaponte01@gmail.com

| | |
|------------------|-----------------|
| Zoning Fee | \$ <u>new</u> |
| Building Fee | \$ <u>25.-</u> |
| Review Fee | \$ <u>12.50</u> |
| 1% BCAIB Fee | \$ <u>2 min</u> |
| 1.5% DCA Fee | \$ <u>2 min</u> |
| Total Permit Fee | \$ <u>41.50</u> |

Building Official: _____ Date _____

Verified Contractor's Licenses & Insurance are on file _____ Date _____

NOTE: The Building Permit Number is required if the Roof Installation is associated with any construction or alteration where a Building Permit has been issued. min fee

25
12.50
37.50

Building Permit Number _____



City of Belle Isle

Universal Engineering Sciences 3532 Maggie Blvd., Orlando, FL 32811
 Tel 407-581-8161 * Fax 407-581-0313 * www.universalengineering.com

Product Approval Form

DATE: _____

PERMIT # 2020-11-059

PROJECT ADDRESS _____, Belle Isle, FL _____ 32809 _____ 32812

As required by Florida Statue 553.842 and Florida Administrative Code 9B-72m, please provide the information and approval numbers of the building components listed below if they will be utilized on the building or structure. FL Approved products are listed online at www.floridabuilding.org or can be obtained from the local product supplier. The following information must be turned in with permit application and available onsite for inspections:

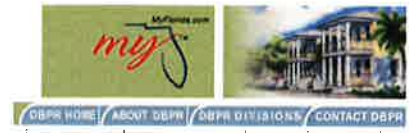
- **This Product Approval Cover Sheet**
- **Internet screen printout from FloridaBuilding.Org showing PA#, approval code and edition stamped**
- **Manufacturer's installation details from FloridaBuilding.Org and requirements for each product stamped**
- **The Installation instructions must be posted on-site before your first inspection**

| Product Type | Manufacturer | Model/Series | FL Product Approval # | Product Type | Manufacturer | Model/Series | FL Product Approval # |
|------------------------------|--------------|--------------|-----------------------|-------------------------|--------------|--------------|-----------------------|
| EXTERIOR DOORS | | | | WALL PANELS | | | |
| Swinging | | | | Siding | | | |
| Sliding | | | | Soffits | | | |
| Sectional/Rollup | | | | Storefront | | | |
| Other | | | | Glass Block | | | |
| | | | | Other | | | |
| WINDOWS | | | | ROOFING PRODUCTS | | | |
| Single/Dbf Hung | | | | Asphalt Shingles | | | FL 10124 |
| Horizontal Slider | | | | Non Struct Metal | | | |
| Casement | | | | Roofing Tiles | | | |
| Fixed | | | | Single Ply Roof | | | |
| Mullion | | | | Underlayment | | | |
| Skylights | | | | Other | | | |
| Other | | | | | | | |
| STRUCTURAL COMPONENTS | | | | OTHER | | | |
| Wood Connectors | | | | | | | |
| Wood Anchors | | | | | | | |
| Truss Plates | | | | | | | |
| Insulation Forms | | | | | | | |
| Lintels | | | | | | | |
| Other | | | | | | | |

It is the applicant's responsibility to verify that specific products have been installed in accordance with their limitations and with the minimum required design pressures for the structure. Specific compliance will be verified during field inspections.

Applicant Signature _____

Date _____



[BCIS Home](#) | [Log In](#) | [User Registration](#) | [Hot Topics](#) | [Submit Surcharge](#) | [Stats & Facts](#) | [Publications](#) | [Contact Us](#) | [BCIS Site Map](#) | [Links](#) | [Search](#)



Product Approval
USER: Public User

[Product Approval Menu](#) > [Product or Application Search](#) > [Application List](#) > **Application Detail**



| FL # | FL10124-R27 | | | | | | | | | | | | |
|--|--|-----------------|-------------|------------|------|------------|------|------------|------|------------|------|---------|------|
| Application Type | Revision | | | | | | | | | | | | |
| Code Version | 2017 | | | | | | | | | | | | |
| Application Status | Approved | | | | | | | | | | | | |
| Comments | | | | | | | | | | | | | |
| Archived | <input type="checkbox"/> | | | | | | | | | | | | |
| Product Manufacturer | GAF | | | | | | | | | | | | |
| Address/Phone/Email | 1 Campus Drive Parsippany, NJ 07054 (800) 766-3411 mstieh@gaf.com | | | | | | | | | | | | |
| Authorized Signature | Robert Nieminen lreith@nemoetc.com | | | | | | | | | | | | |
| Technical Representative | William Broussard | | | | | | | | | | | | |
| Address/Phone/Email | 1 Campus Drive Parsippany, NJ 07054 (800) 766-3411 TechnicalQuestionsGAF@gaf.com | | | | | | | | | | | | |
| Quality Assurance Representative | | | | | | | | | | | | | |
| Address/Phone/Email | | | | | | | | | | | | | |
| Category | Roofing | | | | | | | | | | | | |
| Subcategory | Asphalt Shingles | | | | | | | | | | | | |
| Compliance Method | Evaluation Report from a Florida Registered Architect or a Licensed Florida Professional Engineer <input type="checkbox"/> Evaluation Report - Hardcopy Received | | | | | | | | | | | | |
| Florida Engineer or Architect Name who developed the Evaluation Report | Robert Nieminen | | | | | | | | | | | | |
| Florida License | PE-59166 | | | | | | | | | | | | |
| Quality Assurance Entity | UL LLC | | | | | | | | | | | | |
| Quality Assurance Contract Expiration Date | 12/16/2022 | | | | | | | | | | | | |
| Validated By | John W. Knezevich, PE <input checked="" type="checkbox"/> Validation Checklist - Hardcopy Received | | | | | | | | | | | | |
| Certificate of Independence | FL10124 R27 COI 2020 01 COI NIEMINEN.pdf | | | | | | | | | | | | |
| Referenced Standard and Year (of Standard) | <table border="0"> <thead> <tr> <th>Standard</th> <th>Year</th> </tr> </thead> <tbody> <tr> <td>ASTM D1970</td> <td>2015</td> </tr> <tr> <td>ASTM D3161</td> <td>2016</td> </tr> <tr> <td>ASTM D3462</td> <td>2010</td> </tr> <tr> <td>ASTM D7158</td> <td>2011</td> </tr> <tr> <td>TAS 107</td> <td>1995</td> </tr> </tbody> </table> | Standard | Year | ASTM D1970 | 2015 | ASTM D3161 | 2016 | ASTM D3462 | 2010 | ASTM D7158 | 2011 | TAS 107 | 1995 |
| Standard | Year | | | | | | | | | | | | |
| ASTM D1970 | 2015 | | | | | | | | | | | | |
| ASTM D3161 | 2016 | | | | | | | | | | | | |
| ASTM D3462 | 2010 | | | | | | | | | | | | |
| ASTM D7158 | 2011 | | | | | | | | | | | | |
| TAS 107 | 1995 | | | | | | | | | | | | |
| Equivalence of Product Standards Certified By | | | | | | | | | | | | | |
| Sections from the Code | | | | | | | | | | | | | |

| | |
|---------------------------|-------------------|
| Product Approval Method | Method 1 Option D |
| Date Submitted | 06/08/2020 |
| Date Validated | 06/08/2020 |
| Date Pending FBC Approval | 06/12/2020 |
| Date Approved | 08/04/2020 |
| Date Revised | 09/21/2020 |

Summary of Products

| FL # | Model, Number or Name | Description |
|---|---------------------------|--|
| 10124.1 | GAF Asphalt Roof Shingles | Fiberglass reinforced 3-tab, laminated, 5-tab and hip/ridge asphalt shingles |
| Limits of Use Approved for use in HVHZ: No Approved for use outside HVHZ: Yes Impact Resistant: N/A Design Pressure: N/A Other: Refer to ER, Section 5. | | Installation Instructions FL10124 R27 II 2020 06 04 FINAL ER GAF ASPHALT SHINGLES FL10124-R27.pdf Verified By: Robert Nieminen PE-59166 Created by Independent Third Party: Yes Evaluation Reports FL10124 R27 AE 2020 06 04 FINAL ER GAF ASPHALT SHINGLES FL10124-R27.pdf Created by Independent Third Party: Yes |

[Back](#) [Next](#)

Contact Us :: [2601 Blair Stone Road, Tallahassee FL 32399](#) Phone: 850-487-1824

The State of Florida is an AA/EEO employer. [Copyright 2007-2013 State of Florida](#). :: [Privacy Statement](#) :: [Accessibility Statement](#) :: [Refund Statement](#)

Under Florida law, email addresses are public records. If you do not want your e-mail address released in response to a public-records request, do not send electronic mail to this entity. Instead, contact the office by phone or by traditional mail. If you have any questions, please contact 850.487.1395. *Pursuant to Section 455.275 (1), Florida Statutes, effective October 1, 2012, licensees licensed under Chapter 455, F.S. must provide the Department with an email address if they have one. The emails provided may be used for official communication with the licensee. However email addresses are public record. If you do not wish to supply a personal address, please provide the Department with an email address which can be made available to the public. To determine if you are a licensee under Chapter 455, F.S., please click [here](#).

Product Approval Accepts:



Credit Card Safe





NEMO|etc.

Certificate of Authorization #32455
353 Christian Street, Unit #13
Oxford, CT 06478
(203) 262-9245

ENGINEER

EVALUATE

TEST

CONSULT

EVALUATION REPORT

GAF

1 Campus Drive
Parsippany, NJ 07054
(800) 766-3411

Evaluation Report 01506.01.08-R29

FL10124-R27

Date of Issuance: 01/03/2008

Revision 29: 06/04/2020

SCOPE:

This Evaluation Report is issued under **Rule 61G20-3** and the applicable rules and regulations governing the use of construction materials in the State of Florida. The documentation submitted has been reviewed by Robert Nieminen, P.E. for use of the product under the Florida Building Code and Florida Building Code, Residential Volume. The products described herein have been evaluated for compliance with the **6th Edition (2017) Florida Building Code** sections noted herein.

DESCRIPTION: GAF Asphalt Roof Shingles

LABELING: Labeling shall be in accordance with the requirements of the Accredited Quality Assurance Agency noted herein and **FBC 1507.2.7.1 / R905.2.6.1**

CONTINUED COMPLIANCE: This Evaluation Report is valid until the named product(s) changes, the referenced Quality Assurance documentation changes, or provisions of the Code that relate to the product change. Acceptance of this Evaluation Report by the named client constitutes agreement to notify Robert Nieminen, P.E. of any changes to the product(s), the Quality Assurance or the production facility location(s). NEMO|etc. requires a complete review of this Evaluation Report relative to updated Code requirements with each Code Cycle.

ADVERTISEMENT: The Evaluation Report number preceded by the words "NEMO|etc. Evaluated" may be displayed in advertising literature. If any portion of the Evaluation Report is displayed, then it shall be done in its entirety.

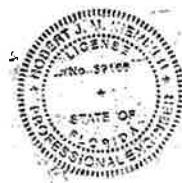
INSPECTION: Upon request, a copy of this entire Evaluation Report shall be provided to the user by the manufacturer or its distributors and shall be available for inspection at the job site at the request of the Building Official.

This Evaluation Report consists of pages 1 through 7.

Prepared by:

Robert J.M. Nieminen, P.E.

Florida Registration No. 59166, Florida DCA ANE1983



The facsimile seal appearing was authorized by Robert Nieminen, P.E. on 06/04/2020. This does not serve as an electronically signed document.

CERTIFICATION OF INDEPENDENCE:

1. NEMO|etc. does not have, nor does it intend to acquire, or will it acquire, a financial interest in any company manufacturing or distributing products it evaluates.
2. NEMO|etc. is not owned, operated or controlled by any company manufacturing or distributing products it evaluates.
3. Robert Nieminen, P.E. does not have nor will acquire, a financial interest in any company manufacturing or distributing products for which the evaluation reports are being issued.
4. Robert Nieminen, P.E. does not have, nor will acquire, a financial interest in any other entity involved in the approval process of the product.
5. This is a building code evaluation. Neither NEMO|etc. nor Robert Nieminen, P.E. are, in any way, the Designer of Record for any project on which this Evaluation Report, or previous versions thereof, is/was used for permitting or design guidance unless retained specifically for that purpose.

ROOFING SYSTEMS EVALUATION:
1. SCOPE:

Product Category: Roofing

Sub-Category: Asphalt Shingles

Compliance Statement: GAF Asphalt Roof Shingles, as produced by GAF, have demonstrated compliance with the following sections of the 6th Edition (2017) Florida Building Code and Florida Building Code, Residential Volume through testing in accordance with the following Standards. Compliance is subject to the Installation Requirements and Limitations / Conditions of Use set forth herein.

2. STANDARDS:

| <u>Section</u> | <u>Property</u> | <u>Standard</u> | <u>Year</u> |
|------------------------|---------------------|-----------------|-------------|
| 1507.2.4, R905.2.3 | Physical Properties | ASTM D1970 | 2015 |
| 1507.2.5, R905.2.4 | Physical Properties | ASTM D3462 | 2010 |
| 1507.2.7.1, R905.2.6.1 | Wind Resistance | ASTM D3161 | 2016 |
| 1507.2.7.1, R905.2.6.1 | Wind Resistance | ASTM D7158 | 2011 |
| 1507.2.7.1, R905.2.6.1 | Wind Resistance | TAS 107 | 1995 |

3. REFERENCES:

| <u>Entity</u> | <u>Examination</u> | <u>Reference</u> | <u>Date</u> |
|----------------|-------------------------|------------------|-------------|
| PRI (TST 5878) | Physical Properties | GAF-025-02-01 | 03/27/2002 |
| PRI (TST 5878) | ASTM D3462 | GAF-059-02-01 | 09/02/2004 |
| PRI (TST 5878) | ASTM D3462 | GAF-080-02-01 | 05/25/2005 |
| PRI (TST 5878) | Physical Properties | GAF-324-02-01 | 12/01/2011 |
| PRI (TST 5878) | ASTM D1970 (QuickStart) | GAF-340-02-01 | 03/13/2012 |
| PRI (TST 5878) | Wind Driven Rain | GAF-407-02-01 | 01/21/2013 |
| PRI (TST 5878) | Wind Driven Rain | GAF-895-02-01 | 11/20/2018 |
| PRI (TST 5878) | Wind Driven Rain | GAF-896-02-01 | 11/20/2018 |
| PRI (TST 5878) | ASTM D3462 | GAF-897-02-01 | 11/08/2018 |
| PRI (TST 5878) | ASTM D3462 | GAF-898-02-01 | 11/08/2018 |
| PRI (TST 5878) | ASTM D3462 | GAF-899-02-01 | 11/15/2018 |
| UL (TST 1740) | ASTM D3462 | 93NK6295 | 11/29/1993 |
| UL (TST 1740) | ASTM D3462 | 99NK43835 | 01/12/2000 |
| UL (TST 1740) | TAS 107 | 94NK9632 | 03/29/2000 |
| UL (TST 1740) | ASTM D3462 | 01NK06632 | 02/02/2001 |
| UL (TST 1740) | ASTM D3161, TAS 107 | 01NK9226 | 05/21/2001 |
| UL (TST 1740) | ASTM D3161 | 01NK37122 | 12/18/2001 |
| UL (TST 1740) | ASTM D3462 | 01NK37122 | 12/19/2001 |
| UL (TST 1740) | ASTM D3161, TAS 107 | 02NK12980 | 04/10/2002 |
| UL (TST 1740) | ASTM D3161, TAS 107 | 02NK30871 | 09/09/2002 |
| UL (TST 1740) | ASTM D3161 | 03CA5367 | 03/11/2003 |
| UL (TST 1740) | ASTM D3462 | 03NK26444 | 10/17/2003 |
| UL (TST 1740) | ASTM D3462 | 04NK13850 | 06/07/2004 |
| UL (TST 1740) | ASTM D3161 | 04NK13850 | 06/23/2004 |
| UL (TST 1740) | ASTM D3161 | 04NK30546 | 03/10/2005 |
| UL (TST 1740) | ASTM D3462 | 04NK22009 | 05/06/2005 |
| UL (TST 1740) | ASTM D3161 | 04NK22009 | 05/09/2005 |
| UL (TST 1740) | ASTM D3462 | 05NK27924 | 02/10/2006 |
| UL (TST 1740) | ASTM D3161 | 05NK27924 | 02/11/2006 |
| UL (TST 1740) | ASTM D3161, D3462 | 06CA18077 | 06/05/2006 |
| UL (TST 1740) | ASTM D3161, D3462 | 06CA18074 | 06/16/2006 |
| UL (TST 1740) | ASTM D3161, D3462 | 06CA35251 | 10/18/2006 |
| UL (TST 1740) | ASTM D3462 | 06CA31603 | 12/01/2006 |
| UL (TST 1740) | ASTM D3161, D3462 | 06CA41095 | 12/27/2006 |
| UL (TST 1740) | ASTM D3161 | 07NK05228 | 03/13/2007 |

| <u>Entity</u> | <u>Examination</u> | <u>Reference</u> | <u>Date</u> |
|---------------------|--------------------------|----------------------|-------------|
| UL (TST 1740) | ASTM D3161 | 06CA31611 | 04/04/2007 |
| UL (TST 1740) | ASTM D3161 | 06CA61148 | 04/09/2007 |
| UL (TST 1740) | ASTM D3161, D3462 | 07CA31742 | 11/08/2007 |
| UL (TST 1740) | ASTM D3161, D7158, D3462 | 08CA06100 | 03/13/2008 |
| UL, LLC. (TST 9628) | ASTM D3161 | 4788698165 | 03/24/2008 |
| UL (TST 1740) | ASTM D3161, D3462 | 07CA55908 | 04/01/2008 |
| UL (TST 1740) | ASTM D3161, D3462 | 09CA10592 | 03/26/2009 |
| UL (TST 1740) | ASTM D3161, D3462 | 09CA06856 | 05/15/2009 |
| UL (TST 1740) | ASTM D3161, D7158, D3462 | 09NK06647 | 08/01/2009 |
| UL (TST 1740) | ASTM D3161, D7158, D3462 | 09CA27281 | 08/27/2009 |
| UL (TST 1740) | ASTM D3161, D7158, D3462 | 10CA35554 | 03/05/2010 |
| UL (TST 1740) | ASTM D3161, D7158, D3462 | 10CA13686 | 05/15/2010 |
| UL (TST 1740) | ASTM D3462 | 10CA07264 | 05/27/2010 |
| UL (TST 1740) | ASTM D3462 | 10CA11953 | 10/29/2010 |
| UL (TST 1740) | ASTM D3161, D7158, D3462 | 10NK11951 | 10/30/2010 |
| UL (TST 1740) | ASTM D3161, D7158, D3462 | 10NK12070 | 11/04/2010 |
| UL (TST 1740) | ASTM D3161, D7158, D3462 | 08CA06100 | 01/30/2010 |
| UL (TST 1740) | ASTM D3161, D7158, D3462 | 10CA53934 | 03/31/2011 |
| UL (TST 1740) | ASTM D3161, D7158, D3462 | 11CA48924 | 10/22/2011 |
| UL (TST 1740) | ASTM D3161, D7158, D3462 | 11CA47919 | 12/03/2011 |
| UL (TST 1740) | ASTM D3161, D7158, D3462 | 11CA48408 | 12/08/2011 |
| UL (TST 1740) | ASTM D3161, D7158, D3462 | 11CA48725 | 12/09/2011 |
| UL, LLC. (TST 9628) | ASTM D3462 | 12CA34891 | 10/12/2012 |
| UL, LLC. (TST 9628) | ASTM D3161, D7158, D3462 | 12CA58151 | 02/15/2013 |
| UL, LLC. (TST 9628) | ASTM D3161 | 12CA38083 | 02/26/2013 |
| UL, LLC. (TST 9628) | ASTM D3161 | 13CA32332 | 06/18/2013 |
| UL, LLC. (TST 9628) | ASTM D3161 | 13CA37934 | 08/02/2013 |
| UL, LLC. (TST 9628) | ASTM D3161, D7158, D3462 | 4786875675 | 07/17/2015 |
| UL, LLC. (TST 9628) | ASTM D3161, D7158, D3462 | 4787434542 | 05/17/2016 |
| UL, LLC. (TST 9628) | ASTM D3161, D7158, D3462 | 4788717529 | 09/09/2016 |
| UL, LLC. (TST 9628) | ASTM D3161 | 4788669132 | 12/13/2018 |
| UL, LLC. (TST 9628) | ASTM D3161 | 4788891098 | 02/14/2019 |
| UL, LLC. (TST 9628) | ASTM D3161, D7158, D3462 | 4788932264 | 08/16/2019 |
| UL, LLC. (TST 9628) | ASTM D3161, D7158, D3462 | 4789115488 | 08/16/2019 |
| UL, LLC. (TST 9628) | ASTM D3161 | 4788959558 | 10/17/2019 |
| UL, LLC. (TST 9628) | ASTM D3161, D7158, D3462 | 4786508528 | 11/01/2019 |
| UL, LLC. (TST 9628) | ASTM D3161 | 4789132672 | 11/27/2019 |
| UL, LLC. (QUA 9625) | Quality Control | Service Confirmation | 10/18/2018 |

| |
|---|
| 4. PRODUCT DESCRIPTION: |
| 4.1 ACCESSORY STARTER STRIPS: |
| 4.1.1 Pro-Start® Starter Strip Shingles (fka, Pro-Start® Eave/Rake Starter Strip Shingles) and WeatherBlocker™ Premium Starter Strip Shingles (fka, WeatherBlocker™ Premium Eave/Rake Starter Strip Shingles) are starter strips for asphalt roof shingles. Meets ASTM D3462. |
| 4.1.2 QuickStart® Peel & Stick Starter Roll is a mineral-surfaced, fiberglass-reinforced, self-adhering SBS modified bitumen starter strip, nominal 9-inch x 33 ft roll, for use with asphalt shingles with exposure of 6-inch or less. Meets ASTM D1970. |
| 4.1.3 StarterMatch® Starter Strip Shingles are color-coordinated starter strips for use with Grand Canyon® and Grand Sequoia® series asphalt shingles. StarterMatch® are installed as the second starter for Grand Canyon® and Grand Sequoia® series installations. Meets ASTM D3462. |

4.2 ASPHALT SHINGLES:

- 4.2.1 Marquis WeatherMax[®], Royal Sovereign[®] and Sentinel[®] are a fiberglass reinforced 3-tab asphalt roof shingles.
- 4.2.2 Camelot[®] II, Fortitude[™], Glenwood[™], Grand Canyon[®], Grand Sequoia[®], Grand Sequoia[®] IR, Grand Sequoia[®] ArmorShield[®], Grand Sequoia[®] AS, Timberline[®] American Harvest[®], Timberline[®] AH, Timberline[®] ArmorShield[®] II, Timberline[®] AS II, Timberline[®] Natural Shadow[®], Timberline[®] NS, Timberline[®] HD, Timberline[®] HDZ[™], Timberline[®] Cool Series, Timberline[®] CS, Timberline[®] Ultra HD, Timberline[®] UHD and Woodland[®] are fiberglass reinforced, laminated asphalt roof shingles.
- 4.2.3 Slateline[™] is a fiberglass reinforced 5-tab asphalt roof shingle.

4.3 HIP & RIDGE SHINGLES:

- 4.3.1 Seal-A-Ridge[®] Ridge Cap Shingles, Seal-A-Ridge[®] ArmorShield[®], Seal-A-Ridge[®] AS and Timbertex[®] Premium Ridge Cap Shingles are fiberglass reinforced, hip and ridge asphalt roof shingles.

5. LIMITATIONS:

- 5.1 This is a building code evaluation. Neither NEMO ETC, LLC nor Robert Nieminen, P.E. are, in any way, the Designer of Record for any project on which this Evaluation Report, or previous versions thereof, is/was used for permitting or design guidance unless retained specifically for that purpose.
- 5.2 This Evaluation Report is not for use in FBC HVHZ jurisdictions.
- 5.3 Fire Classification is not part of this Evaluation Report; refer to current Approved Roofing Materials Directory for fire ratings of this product.

5.4 Wind Classification:

- 5.4.1 Pro-Start[®] Starter Strip Shingles (fka, Pro-Start[®] Eave/Rake Starter Strip Shingles) and WeatherBlocker[™] Premium Starter Strip Shingles (fka, WeatherBlocker[™] Premium Eave/Rake Starter Strip Shingles) are Classified in accordance with FBC Tables 1507.2.7.1 and R905.2.6.1 to ASTM D3161, Class F, indicating the shingles are acceptable for use in all wind zones up to $V_{asd} = 150$ mph ($V_{ult} = 194$ mph).

- 5.4.2 The GAF asphalt shingles noted in Section 4.2 are Classified in accordance with FBC Tables 1507.2.7.1 and R905.2.6.1 to ASTM D3161, Class F and/or ASTM D7158, Class H, indicating the shingles are acceptable for use in all wind zones up to $V_{asd} = 150$ mph ($V_{ult} = 194$ mph). Refer to Section 6 for installation requirements to meet this wind rating.

Note: Classification by ASTM D7158 applies only to exposure category B or C, as defined in FBC 1609.4.3, and a mean roof height of 60 feet or less. Calculations by a qualified design professional are required for conditions outside these limitations. Contact the shingle manufacturer for data specific to each shingle.

- 5.4.3 The GAF hip & ridge shingles noted in Section 4.3 are Classified in accordance with FBC Tables 1507.2.7.1 and R905.2.6.1 to ASTM D3161, Class F, indicating the shingles are acceptable for use in all wind zones up to $V_{asd} = 150$ mph ($V_{ult} = 194$ mph). Refer to Section 6 for installation requirements to meet this wind rating.
- 5.5 All products in the roof assembly shall have quality assurance audit in accordance with F.A.C. Rule 61G20-3.

6. INSTALLATION:

6.1 GENERAL:

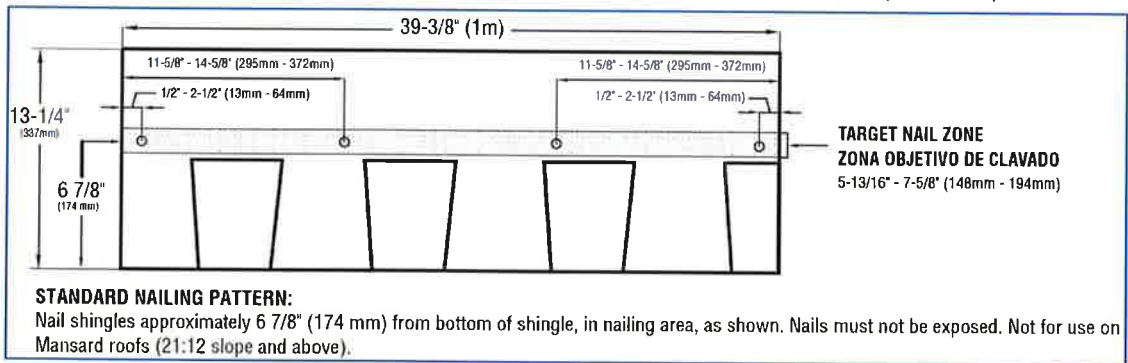
- 6.1.1 Roof deck, slope, underlayment and fasteners shall comply with FBC 1507.2 / R905.2 and the shingle manufacturer's minimum requirements.
- 6.1.2 Underlayment shall be acceptable to GAF and shall hold current Florida Statewide Product Approval, or be Locally Approved per Rule 61G20-3, per FBC Sections 1507.2.3, 1507.2.4 or R905.2.3.
- 6.1.3 Fasteners shall be in accordance with manufacturer's published requirements, but not less than FBC 1507.2.6 or R905.2.5. Staples are not permitted.
- 6.1.4 GAF asphalt shingles are acceptable for use in reroof (tear-off) or recover applications, subject to the limitations set forth in FBC Section 1511 or R908 and GAF published installation instructions.

6.2 STARTER SHINGLES OR STARTER STRIP:

- 6.2.1 Installation of Pro-Start® Starter Strip Shingles (fka, Pro-Start® Eave/Rake Starter Strip Shingles), WeatherBlocker™ Premium Starter Strip Shingles (fka, WeatherBlocker™ Premium Eave/Rake Starter Strip Shingles) and QuickStart® Peel & Stick Starter Roll shall comply with the GAF current published instructions.

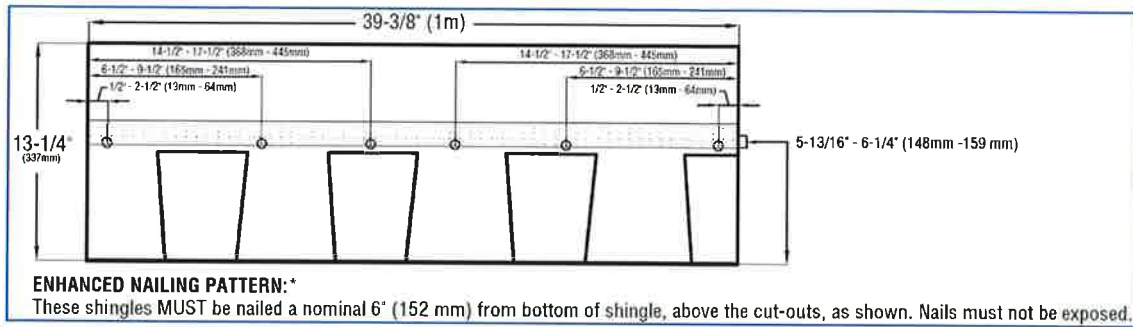
6.3 ASPHALT SHINGLES:

- 6.3.1 Installation of asphalt shingles shall comply with the GAF current published instructions, using minimum four (4) nails per shingle in accordance with FBC 1507.2.7 or R905.2.6, with the following exceptions:
 - Camelot® II, Grand Canyon®, Grand Sequoia®, Grand Sequoia® IR, Grand Sequoia® ArmorShield®, and Woodland® require minimum five (5) nails per shingle.
 - Slateline™ requires minimum six (6) nails per shingle.
- 6.3.2 Fasteners shall be in accordance with manufacturer's published requirements, but not less than FBC 1507.2.6 or R905.2.5. Staples are not permitted.
- 6.3.2.1 Fastening for Fortitude™, Timberline® AH, Timberline® CS and Timberline® HDZ™; slopes 2:12 up to 21:12



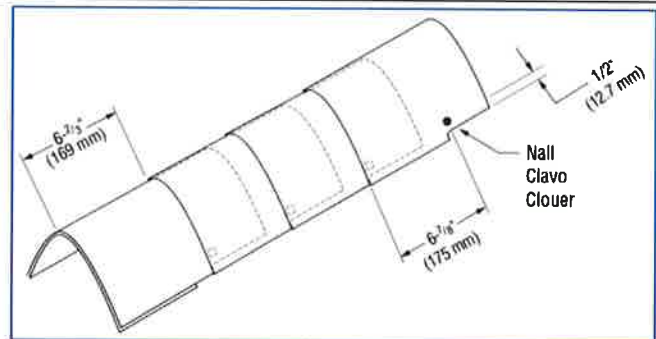
- 6.3.3 Where the roof slope exceeds 21 units vertical in 12 units horizontal, special methods of fastening are required. Contact the GAF for details.

6.3.3.1 Fastening for Fortitude™, Timberline® AH, Timberline® CS and Timberline® HDZ™; slopes greater than 21:12

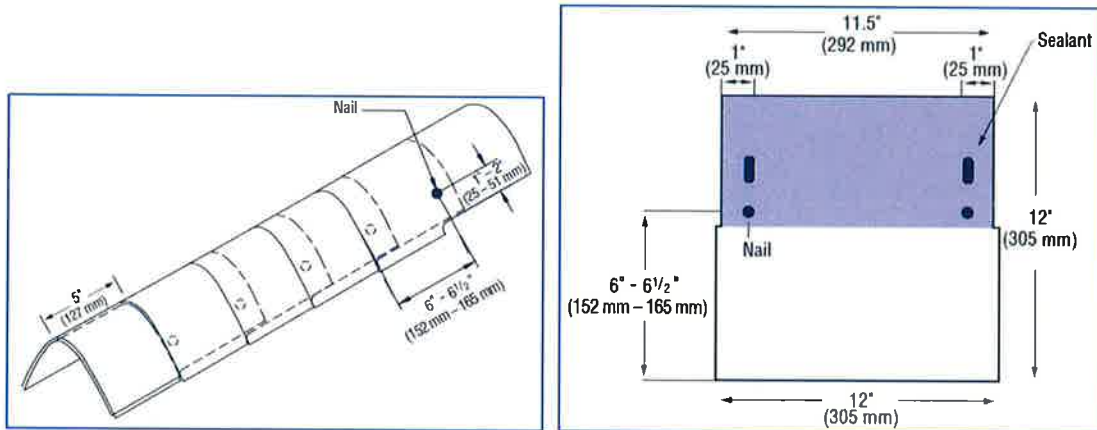


6.4 HIP & RIDGE SHINGLES:

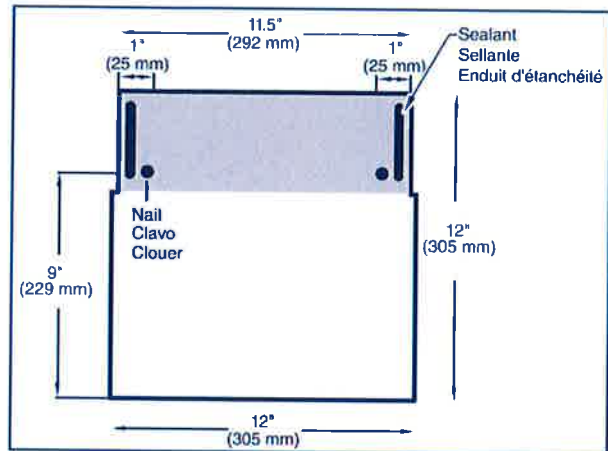
6.4.1 Installation of Seal-A-Ridge® Ridge Cap Shingles shall comply with the GAF current published instructions with a minimum two (2) nails, minimum 3/8-inch head diameter located 6-7/8-inch back from the exposed end and 0.5-inch from the edge.



6.4.2 Installation of Seal-A-Ridge® ArmorShield® and Seal-A-Ridge® AS shall comply with the GAF current published instructions with a minimum two (2) nails, minimum 3/8-inch head diameter, per shingle located 6 to 6.5-inch back from the exposed end and 1 to 2-inch from the edge, and nominal 0.25-inch diameter beads of Henkel "Loctite PL S30 Roof & Flashing Sealant".



6.4.3 Installation of Timbertex® Premium Ridge Cap Shingles shall comply with GAF current published instructions with a minimum two (2) nails, minimum 3/8-inch head diameter, per shingle and beads of Sonneborn “NP1 Gun Grade Polyurethane Sealant” or Henkel “PL Roofing and Flashing Sealant”.



6.4.3 Fasteners shall be in accordance with GAF published requirements, but not less than FBC 1507.2.6 or R905.2.5. Staples are not permitted.

7. LABELING:

- 7.1 Labeling shall be in accordance with the requirements the Accredited Quality Assurance Agency noted herein.
- 7.2 Asphalt shingle wrappers shall indicate compliance with one of the required classifications detailed in **FBC Table 1507.2.7.1 / R905.2.6.1**.

8. BUILDING PERMIT REQUIREMENTS:

As required by the Building Official or Authority Having Jurisdiction in order to properly evaluate the installation of this product.

9. MANUFACTURING PLANTS:

Contact the named QA entity for information on which plants produce products covered by Florida Rule 61G20-3 QA requirements.

10. QUALITY ASSURANCE ENTITY:

UL LLC – QUA9625; (414) 248-6409; karen.buchmann@ul.com

- END OF EVALUATION REPORT -