



City of Belle Isle Job Site Card Window/Door PERMIT 2018-08-049

PERMIT MUST BE POSTED ON SITE - A permit expires in 6 months if approved inspections are not recorded /scheduled within that time frame. **You are responsible for scheduling and keeping track of all inspections.**

Permit Number: 2018- 08-049

Issue Date: 8/20/2018

Site Address: 3550 Country Lakes Dr 32812

Parcel #: 20-23-30-4980-00-010

Class: Residential

Subdivision:

Description of Work: 9 **Windows** / Size for Size

3 **Doors** / Size for Size

Issued To: CREATIVE REMODELING OF ORLANDO LLC

Business Phone: 407 699-6998

Name: MCGRATH, MARK PATRICK

Contractor License: CRC1329083

Payment Date & Method: 8 / 20 / 2018 Picked up by _____

Visa Master Card Amex Discover Check / Money Order # 5654

Schedule Inspections via Email at: BDscheduling@universalengineering.com

SCHEDULE INSPECTIONS BY 4PM CUT OFF TIME

Inspection Results Will Be Sent Out the Following Business Day

"WARNING TO OWNER: YOUR FAILURE TO RECORD A NOTICE OF COMMENCEMENT MAY RESULT IN YOUR PAYING TWICE FOR IMPROVEMENTS TO YOUR PROPERTY. IF YOU INTEND TO OBTAIN FINANCING, CONSULT WITH YOUR LENDER OR AN ATTORNEY BEFORE RECORDING YOUR NOTICE OF COMMENCEMENT."

BUILDING	INSPECTOR	DATE	COMMENTS
900 In Progress			
910 Final			

Inspection requests are to be emailed to BDscheduling@UniversalEngineering.com; a confirmation email will be sent back to you upon scheduling. Next-Day Inspection requests must be made by 4pm. Please include the following in your request: Permit #, project address, type of inspection, date of the requested inspection, a contact name & a contact phone number. AM or PM may be requested but cannot be guaranteed. Inspection results will be sent out the following business day. A permit expires in 6 months if approved inspections are not recorded /scheduled within that time frame. **You are responsible for scheduling and keeping track of all your inspections** –

Universal Engineering Sciences - 3532 Maggie Blvd., Orlando, FL 32811
Tel 407-581-8161 * Fax 407-581-0313 * www.universalengineering.com



City of Belle Isle
 Universal Engineering Sciences 3532 Maggie Blvd., Orlando, FL 32811 7 2018
 Tel 407-581-8161 * Fax 407-581-0313 * www.universalengineering.com



**APPLICATION FOR SIZE-FOR-SIZE
 WINDOW / DOOR PERMIT**

WARNING TO OWNER: YOUR FAILURE TO RECORD A NOTICE OF COMMENCEMENT MAY RESULT IN YOUR PAYING TWICE FOR IMPROVEMENTS TO YOUR PROPERTY. A NOTICE OF COMMENCEMENT MUST BE RECORDED AND POSTED ON THE JOB SITE BEFORE THE FIRST INSPECTION. IF YOU INTEND TO OBTAIN FINANCING, CONSULT WITH YOUR LENDER OR AN ATTORNEY BEFORE RECORDING YOUR NOTICE OF COMMENCEMENT.

DATE OF APPLICATION: 8/17/18

PERMIT NUMBER 2018-08-049

PLEASE PRINT. The undersigned hereby applies for a permit to make installations as indicated below:

Project Address 3550 COUNTRY LAKES DR, Belle Isle, FL 32809 32812

Property Owner SHANNON CHARLES Phone 407-443-4710

Property Owner's Mailing Address 3550 COUNTRY LAKES DR City BELLE ISLE

State FL Zip Code 32812 Parcel # Number: 20-23-30-4980-00-010

REQUIRED! To obtain this information, please visit <http://www.ocpafl.org/Searches/ParcelSearch.aspx>

Type of Building: Residential Commercial Other

• **REQUIRED!** Florida Product Approval Form – NOTE: installation instructions must be posted on-site before your first inspection!!

Please indicate the nature of work by completing the information below:

Number of Size-for-Size Windows: 9 Number of Size-for-Size Doors: 3 Job Valuation: \$3880

I hereby certify that the above is true and correct to the best of my knowledge and make Application for Permit as outlined above, and if same is granted I agree to conform to all Florida Building Code Regulations and City Ordinances regulating same and in accordance with plans submitted. The issuance of this permit does not grant permission to violate any applicable Town and/or State of Florida codes and/or ordinances. By signing below, I recognize Republic Services is by legal contract the sole authorized provider of garbage, recycling, yard waste, and commercial garbage and construction debris collection and disposal services with the city limits of the City. Contractors, homeowners and commercial businesses may contact Republic Services at 407-293-8000 to setup accounts for Commercial, Construction Roll Off, or other services needed. Rates are fixed by contract and are available at City Hall or from Republic Services. The City enforces the contract through its code enforcement office. Failure to comply will result in a stop work order.

BY SIGNING THIS APPLICATION, YOU ARE CERTIFYING THAT YOU ARE ACTING AS THE OWNER'S AGENT FOR THIS PERMIT:

LICENSE HOLDER SIGNATURE [Signature] LICENSE # CRC1329083

LICENSE HOLDER NAME MARK MCGRATH COMPANY NAME Creative Remodeling of Orlando

Street Address 1055 NURSERY RD #125

City WINTER SPRINGS State FL Zip Code 32708 Phone Number 407-699-6999

Email Address MARK@CRORL.COM

Zoning Fee	\$ <u>0</u>
Permit Fee	\$ <u>37.-</u>
Review Fee	\$ <u>18.50</u>
1% BCAIB Fee	\$ <u>2 min</u>
1.5% DCA Fee	\$ <u>2 min</u>
Total Permit Fee	\$ <u>59.50</u>

Building Official: SM Date 8-17-18

Verified Contractor's Licenses & Insurance are on file [Signature] Date 8-17-2018

✓ POA
 ✓ NOC

1ST IIC 25
 4x3 12
 37
 18.50
 55.50

PAID
8-20-2018
 U.I.A 5654

Permit Number: _____
 Folio/Parcel Identification Number: 20-23-30-4980-00-010
 Prepared by: Mark McGrath
1055 Nursery Rd #108
Winter Springs FL
 Return to: Shannon Charles
3550 Country Lakes Drive
Belle Isle, FL 32812




NOTICE OF COMMENCEMENT

State of Florida, County of Orange

The undersigned hereby gives notice that improvement will be made to certain real property, and in accordance with Chapter 713, Florida Statutes, the following information is provided in this Notice of Commencement.

1. **Description of property** (legal description of the property, and street address if available)
The Landings at Lake Conway 9/105 Lot 1 3550 Country Lakes Dr. Belle Isle, FL 32812
2. **General description of improvement**
Replacement windows and doors
3. **Owner information or Lessee information if the Lessee contracted for the improvement**
 Name Shannon Charles
 Address 3550 Country Lakes Dr. Belle Isle, FL 32812
 Interest in Property _____
 Name and address of fee simple titleholder (if different from Owner listed above)
 Name _____
 Address _____
4. **Contractor**
 Name Creative Remodeling of Orlando Telephone Number 407-699-6992
 Address 1055 Nursery Rd, Unit 108 Winter Springs, FL 32788
5. **Surety** (if applicable, a copy of the payment bond is attached)
 Name _____ Telephone Number _____
 Address N/A Amount of Bond \$ _____
6. **Lender**
 Name _____ Telephone Number _____
 Address N/A
7. **Persons within the State of Florida designated by Owner upon whom notices or other documents may be served as provided by §713.13(1)(a)7, Florida Statutes.**
 Name _____ Telephone Number _____
 Address N/A
8. **In addition to himself or herself, Owner designates the following to receive a copy of the Lienor's Notice as provided in §713.13(1)(b), Florida Statutes.**
 Name _____ Telephone Number _____
 Address N/A
9. **Expiration date of notice of commencement** (the expiration date may not be before the completion of construction and final payment to the contractor, but will be 1 year from the date of recording unless a different date is specified)

State of Florida, County of Orange
 I hereby certify that this is a true copy of the document as filed in the Official Records
 PHIL DIAMOND, COUNTY COMPTROLLER
 DATED: 08/14/18


WARNING TO OWNER: ANY PAYMENTS MADE BY THE OWNER AFTER THE EXPIRATION OF THE NOTICE OF COMMENCEMENT ARE CONSIDERED IMPROPER PAYMENTS UNDER CHAPTER 713, PART I, SECTION 713.13, FLORIDA STATUTES, AND CAN RESULT IN YOUR PAYING TWICE FOR IMPROVEMENTS TO YOUR PROPERTY. A NOTICE OF COMMENCEMENT MUST BE RECORDED AND POSTED ON THE JOB SITE BEFORE THE FIRST INSPECTION. IF YOU INTEND TO OBTAIN FINANCING, CONSULT WITH YOUR LENDER OR AN ATTORNEY BEFORE COMMENCING WORK OR RECORDING YOUR NOTICE OF COMMENCEMENT.

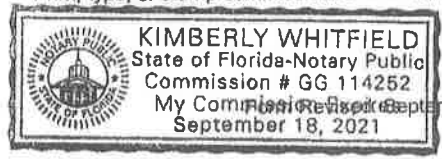
Under penalty of perjury, I declare that I have read the foregoing notice of commencement and that the facts stated in it are true to the best of my knowledge and belief.

Signature of Owner or Lessee, or Owner's or Lessee's Authorized Officer/Director/Partner/Manager: [Signature] Owner
 Signatory's Title/Office: _____

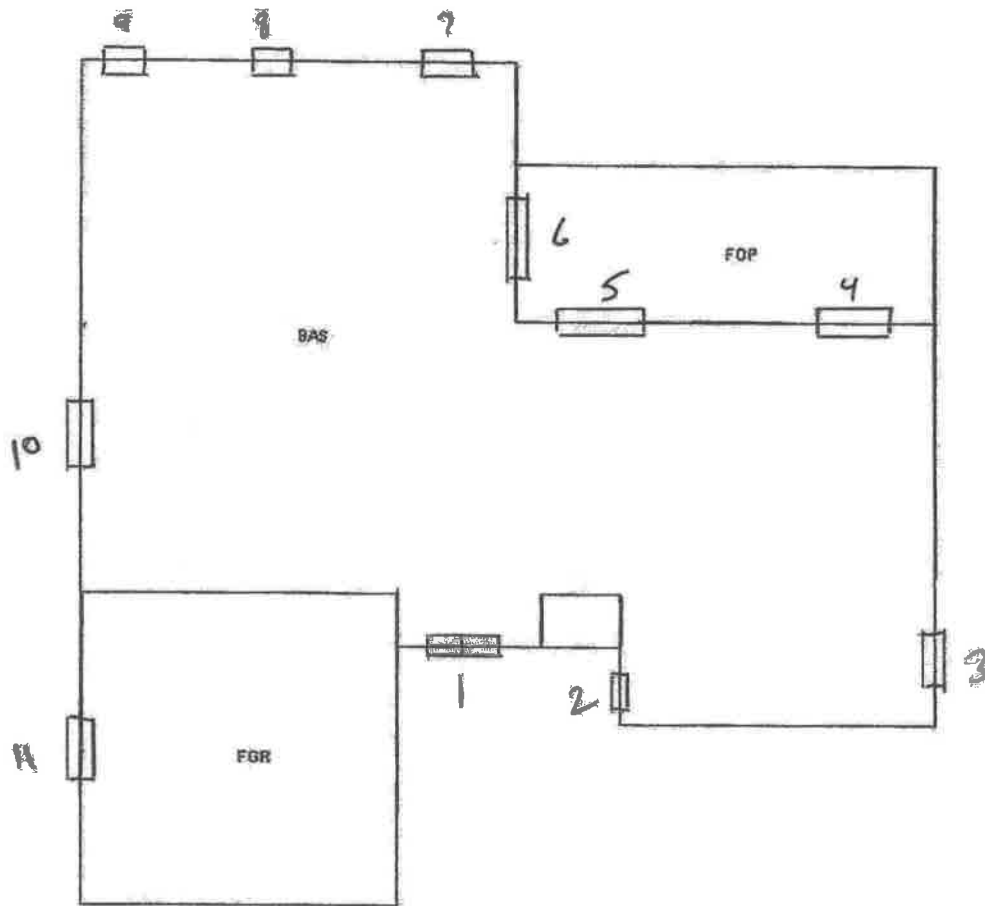
The foregoing instrument was acknowledged before me this 25 day of July, 2018 by Shannon Charles
 as Property Owner for _____
 Type of authority, e.g., officer, trustee, attorney in fact _____ name of person

Signature of Notary Public - State of Florida: [Signature]
 Name of party on behalf of whom instrument was executed: Kimberly Whitfield
 Print, type, or stamp commissioned name of Notary Public

Personally Known OR Produced ID _____
 Type of ID Produced _____



Window/Door Layout



<u>#</u>	<u>W</u>	<u>H</u>	<u>Description</u>
1	74	50	(2) Double hung windows
2	37	50	Double hung window
3	27	38	Double hung window
4	72	80	Sliding Glass Door
5	96	80	Sliding Glass Door
6	72	80	Sliding Glass Door
7	37	62	Double hung window
8	37	62	Double hung window
9	52	38	Double hung window
10	52	38	Double hung window
11	52	38	Double hung window

Creative Remodeling
 3550 Country Lakes Dr.
 Belle Isle, FL 32812



City of Belle Isle

Universal Engineering Sciences 3532 Maggie Blvd., Orlando, FL 32811
 Tel 407-581-8161 * Fax 407-581-0313 * www.universalengineering.com

Product Approval Form

DATE: 8/17/18

PERMIT # 208-08-049

PROJECT ADDRESS 3550 Country Lakes Dr, Belle Isle, FL 32809 32812

As required by Florida Statute 553.842 and Florida Administrative Code 9B-72m, please provide the information and approval numbers of the building components listed below if they will be utilized on the building or structure. FL Approved products are listed online at www.floridabuilding.org or can be obtained from the local product supplier. The following information must be turned in with permit application and available onsite for inspections:

• **NOTE: The installation instructions must be posted on-site before your first inspection!!**

Product Type	Manufacturer	Model/Series	FL Product Approval #	Product Type	Manufacturer	Model/Series	FL Product Approval #
EXTERIOR DOORS				WALL PANELS			
Swinging				Sliding			
Sliding	AMI	10400	12323.24	Soffits			
Sectional/Rollup				Storefront			
Other				Glass Block			
				Other			
WINDOWS				ROOFING PRODUCTS			
Single/ Col Hung	AMI	0501	11720.2	Asphalt Shingles			
Horizontal Slider				Non Struct Metal			
Casement				Roofing Tiles			
Fixed				Single Ply Roof			
Mullion				Underlayment			
Skylights				Other			
Other							
STRUCTURAL COMPONENTS				OTHER			
Wood Connectors							
Wood Anchors							
Truss Plates							
Insulation Forms							
Lintels							
Other							

It is the applicant's responsibility to verify that specific products have been installed in accordance with their limitations and with the minimum required design pressures for the structure. Specific compliance will be verified during field inspections.

Applicant Signature

Date 8/17/18



[BCIS Home](#) |
 [Log In](#) |
 [User Registration](#) |
 [Hot Topics](#) |
 [Submit Surcharge](#) |
 [Stats & Facts](#) |
 [Publications](#) |
 [Contact Us](#) |
 [BCIS Site Map](#) |
 [Links](#) |
 [Search](#)



Product Approval
USER: Public User

[Product Approval Menu](#) > [Product or Application Search](#) > [Application List](#) > [Application Detail](#)



FL #	FL11720-R16										
Application Type	Revision										
Code Version	2017										
Application Status	Approved										
Comments											
Archived	<input type="checkbox"/>										
Product Manufacturer Address/Phone/Email	Associated Materials Inc. 3773 State Road Cuyahoga Falls, OH 44223 (330) 922-2108 rickw@rwblgdgconsultants.com										
Authorized Signature	Vivian Wright rickw@rwblgdgconsultants.com										
Technical Representative Address/Phone/Email											
Quality Assurance Representative Address/Phone/Email											
Category	Windows										
Subcategory	Double Hung										
Compliance Method	Evaluation Report from a Florida Registered Architect or a Licensed Florida Professional Engineer <input type="checkbox"/> Evaluation Report - Hardcopy Received										
Florida Engineer or Architect Name who developed the Evaluation Report	Lyndon F. Schmidt, P.E.										
Florida License	PE-43409										
Quality Assurance Entity	Architectural Testing, Inc., an Intertek Company										
Quality Assurance Contract Expiration Date	12/31/2020										
Validated By	Ryan J. King, P.E. <input checked="" type="checkbox"/> Validation Checklist - Hardcopy Received										
Certificate of Independence	FL11720_R16_COI (a) Cert of Independence.pdf										
Referenced Standard and Year (of Standard)	<table border="0"> <thead> <tr> <th>Standard</th> <th>Year</th> </tr> </thead> <tbody> <tr> <td>ANSI/AAMA/NWWDA 101/I.S.2/A440</td> <td>2008</td> </tr> <tr> <td>ANSI/AAMA/NWWDA 101/I.S.2/A440</td> <td>2011</td> </tr> <tr> <td>ASTM E1886</td> <td>2005</td> </tr> <tr> <td>ASTM E1996</td> <td>2005</td> </tr> </tbody> </table>	Standard	Year	ANSI/AAMA/NWWDA 101/I.S.2/A440	2008	ANSI/AAMA/NWWDA 101/I.S.2/A440	2011	ASTM E1886	2005	ASTM E1996	2005
Standard	Year										
ANSI/AAMA/NWWDA 101/I.S.2/A440	2008										
ANSI/AAMA/NWWDA 101/I.S.2/A440	2011										
ASTM E1886	2005										
ASTM E1996	2005										
Equivalence of Product Standards Certified By											
Sections from the Code											
Product Approval Method	Method 1 Option D										
Date Submitted	09/08/2017										
Date Validated	09/19/2017										

Other: See INST 11720.8 for Design Pressure Ratings, any additional use limitations, installation instructions and product particulars.		FL11720_R16_AE (c) Eval 11720.8.pdf Created by Independent Third Party: Yes
11720.9	i. Model 3001 / 3B01 / 3A01 / 3AB1 "ST"	Extruded Vinyl Double Hung "Replacement" Window - "Non-Impact"
Limits of Use Approved for use in HVHZ: No Approved for use outside HVHZ: Yes Impact Resistant: No Design Pressure: N/A Other: See INST 11720.9 for Design Pressure Ratings, any additional use limitations, installation instructions and product particulars.		Installation Instructions FL11720_R16_II (a) INST 11720.9.pdf Verified By: Lyndon F. Schmidt, P.E. 43409 Created by Independent Third Party: Yes Evaluation Reports FL11720_R16_AE (a) EVAL 11720.9.pdf Created by Independent Third Party: Yes
11720.10	j. Model 3001 / 3A01 "ST"	Extruded Vinyl Double Hung "New Construction" (Nail Fin) Window - "Non-Impact"
Limits of Use Approved for use in HVHZ: No Approved for use outside HVHZ: Yes Impact Resistant: No Design Pressure: N/A Other: See INST 11720.10 for Design Pressure Ratings, any additional use limitations, installation instructions and product particulars.		Installation Instructions FL11720_R16_II (a) INST 11720.10.pdf Verified By: Lyndon F. Schmidt, P.E. 43409 Created by Independent Third Party: Yes Evaluation Reports FL11720_R16_AE (a) EVAL 11720.10.pdf Created by Independent Third Party: Yes
11720.11	k. Model "i" 301 / "i" 301HP	Extruded Vinyl "Tilt" Double Hung Window - "Non-Impact"
Limits of Use Approved for use in HVHZ: No Approved for use outside HVHZ: Yes Impact Resistant: No Design Pressure: N/A Other: See INST 11720.11 for Design Pressure Ratings, any additional use limitations, installation instructions and product particulars.		Installation Instructions FL11720_R16_II (a) INST 11720.11.pdf Verified By: Lyndon F. Schmidt, P.E. 43409 Created by Independent Third Party: Yes Evaluation Reports FL11720_R16_AE (a) EVAL 11720.11.pdf Created by Independent Third Party: Yes
11720.12	l. Model "i" 301 / "i" 301HP	Extruded Vinyl Double Hung Window with Nail Fin - "Impact"
Limits of Use Approved for use in HVHZ: No Approved for use outside HVHZ: Yes Impact Resistant: Yes Design Pressure: N/A Other: See INST 11720.12 for Design Pressure Ratings, any additional use limitations, installation instructions and product particulars.		Installation Instructions FL11720_R16_II (b) INST 11720.12.pdf Verified By: Lyndon F. Schmidt, P.E. 43409 Created by Independent Third Party: Yes Evaluation Reports FL11720_R16_AE (c) Eval 11720.12.pdf Created by Independent Third Party: Yes
11720.13	m. Model 8001 HP	Extruded Vinyl Double Hung Window - "Non-Impact"
Limits of Use Approved for use in HVHZ: No Approved for use outside HVHZ: Yes Impact Resistant: No Design Pressure: N/A Other: See INST 11720.13 for Design Pressure Ratings, any additional use limitations, installation instructions and product particulars.		Installation Instructions FL11720_R16_II (a) INST 11720.13.pdf Verified By: Lyndon F. Schmidt, P.E. 43409 Created by Independent Third Party: Yes Evaluation Reports FL11720_R16_AE (a) EVAL 11720.13.pdf Created by Independent Third Party: Yes

[Back](#) [Next](#)

Contact Us :: [2601 Blair Stone Road, Tallahassee FL 32399 Phone: 850-487-1824](#)

The State of Florida is an AA/EEO employer. [Copyright 2007-2013 State of Florida.](#) :: [Privacy Statement](#) :: [Accessibility Statement](#) :: [Refund Statement](#)

Under Florida law, email addresses are public records. If you do not want your e-mail address released in response to a public-records request, do not send electronic mail to this entity. Instead, contact the office by phone or by traditional mail. If you have any questions, please contact 850.487.1395. *Pursuant to Section 455.275 (1), Florida Statutes, effective October 1, 2012, licensees licensed under Chapter 455, F.S. must provide the Department with an email address if they have one. The emails provided may be used for official communication with the licensee. However email addresses are public record. If you do not wish to supply a personal address, please provide the Department with an email address which can be made available to the public. To determine if you are a licensee under Chapter 455, F.S., please click [here](#).

Product Approval Accepts:



Credit Card
Safe

SECURITYMETRICS

Date Pending FBC Approval
Date Approved

09/22/2017
12/12/2017

Summary of Products

FL #	Model, Number or Name	Description
11720.1	a. Model 0301	Extruded Vinyl Double Hung Window with Nail Fin - "Non-Impact"
Limits of Use Approved for use in HVHZ: No Approved for use outside HVHZ: Yes Impact Resistant: No Design Pressure: N/A Other: See INST 11720.1 for Design Pressure Ratings, any additional use limitations, installation instructions and product particulars.		Installation Instructions FL11720 R16 II (a) INST 11720.1.pdf Verified By: Lyndon F. Schmidt, P.E. 43409 Created by Independent Third Party: Yes Evaluation Reports FL11720 R16 AE (a) EVAL 11720.1.pdf Created by Independent Third Party: Yes
11720.2	b. Model 0501	Extruded Vinyl Double Hung Window - "Non-Impact"
Limits of Use Approved for use in HVHZ: No Approved for use outside HVHZ: Yes Impact Resistant: No Design Pressure: N/A Other: See INST 11720.2 for Design Pressure Ratings, any additional use limitations, installation instructions and product particulars.		Installation Instructions FL11720 R16 II (a) INST 11720.2.pdf Verified By: Lyndon F. Schmidt, P.E. 43409 Created by Independent Third Party: Yes Evaluation Reports FL11720 R16 AE (a) EVAL 11720.2.pdf Created by Independent Third Party: Yes
11720.3	c. Model 0501 HP	Extruded Vinyl Double Hung Window - "Non-Impact"
Limits of Use Approved for use in HVHZ: No Approved for use outside HVHZ: Yes Impact Resistant: No Design Pressure: N/A Other: See INST 11720.3 for Design Pressure Ratings, any additional use limitations, installation instructions and product particulars.		Installation Instructions FL11720 R16 II (a) INST 11720.3.pdf Verified By: Lyndon F. Schmidt, P.E. 43409 Created by Independent Third Party: Yes Evaluation Reports FL11720 R16 AE (a) EVAL 11720.3.pdf Created by Independent Third Party: Yes
11720.4	d. Model O601	Extruded Vinyl Double Hung Window - "Non-Impact"
Limits of Use Approved for use in HVHZ: No Approved for use outside HVHZ: Yes Impact Resistant: No Design Pressure: N/A Other: See INST 11720.4 for Design Pressure Ratings, any additional use limitations, installation instructions and product particulars.		Installation Instructions FL11720 R16 II (a) INST 11720.4.pdf Verified By: Lyndon F. Schmidt, P.E. 43409 Created by Independent Third Party: Yes Evaluation Reports FL11720 R16 AE (a) EVAL 11720.4.pdf Created by Independent Third Party: Yes
11720.5	e. Model 8001	Extruded Vinyl Double Hung Window - "Non-Impact"
Limits of Use Approved for use in HVHZ: No Approved for use outside HVHZ: Yes Impact Resistant: No Design Pressure: N/A Other: See INST 11720.5 for Design Pressure Ratings, any additional use limitations, installation instructions and product particulars.		Installation Instructions FL11720 R16 II (a) INST 11720.5.pdf Verified By: Lyndon F. Schmidt, P.E. 43409 Created by Independent Third Party: Yes Evaluation Reports FL11720 R16 AE (a) EVAL 11720.5.pdf Created by Independent Third Party: Yes
11720.6	f. Model 9001	Extruded Vinyl Double Hung Window - "Non-Impact"
Limits of Use Approved for use in HVHZ: No Approved for use outside HVHZ: Yes Impact Resistant: No Design Pressure: N/A Other: See INST 11720.6 for Design Pressure Ratings, any additional use limitations, installation instructions and product particulars.		Installation Instructions FL11720 R16 II (a) INST 11720.6.pdf Verified By: Lyndon F. Schmidt, P.E. 43409 Created by Independent Third Party: Yes Evaluation Reports FL11720 R16 AE (a) EVAL 11720.6.pdf Created by Independent Third Party: Yes
11720.7	g. Model "j" 201 / "i" 201HP	Extruded Vinyl "Tilt" Double Hung Window - "Non-Impact"
Limits of Use Approved for use in HVHZ: No Approved for use outside HVHZ: Yes Impact Resistant: No Design Pressure: N/A Other: See INST 11720.7 for Design Pressure Ratings, any additional use limitations, installation instructions and product particulars.		Installation Instructions FL11720 R16 II (a) INST 11720.7.pdf Verified By: Lyndon F. Schmidt, P.E. 43409 Created by Independent Third Party: Yes Evaluation Reports FL11720 R16 AE (a) EVAL 11720.7.pdf Created by Independent Third Party: Yes
11720.8	h. Model "i" 201 / "i" 201HP	Extruded Vinyl "Tilt" Double Hung Window - "Impact"
Limits of Use Approved for use in HVHZ: No Approved for use outside HVHZ: Yes Impact Resistant: Yes Design Pressure: N/A		Installation Instructions FL11720 R16 II (b) INST 11720.8.pdf Verified By: Lyndon F. Schmidt, P.E. 43409 Created by Independent Third Party: Yes Evaluation Reports

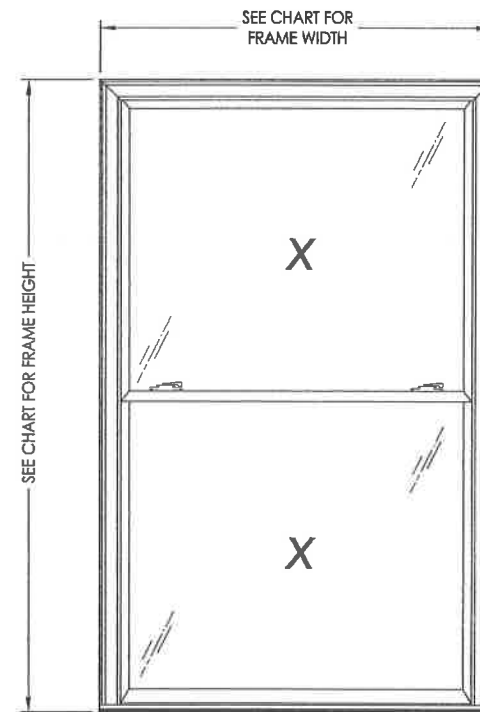
ASSOCIATED MATERIALS
INCORPORATED
3773 STATE ROAD
CUYAHOGA FALLS, OH 44223

**MODEL 0501
EXTRUDED VINYL
DOUBLE HUNG WINDOW
"NON-IMPACT"**

GENERAL NOTES

- This product has been evaluated and is in compliance with the 6th Edition (2017) Florida Building Code (FBC) structural requirements excluding the "High Velocity Hurricane Zone" (HVHZ).
- Product anchors shall be as listed and spaced as shown on details. Anchor embedment to base material shall be beyond wall dressing or stucco.
- When used in areas requiring wind borne debris protection this product is required to be protected with an impact resistant covering that complies with FBC Sections 1609.1.2 & R301.2.1.2.
- For 2x stud framing construction, anchoring of these units shall be the same as that shown for 2x buck masonry construction.
- Site conditions that deviate from the details of this drawing require further engineering analysis by a licensed engineer or registered architect.

TABLE OF CONTENTS	
SHEET#	DESCRIPTION
1	Typical elevations, design pressures & general notes
2	Horizontal cross sections
3	Vertical cross sections
4	Buck and frame anchoring
5	Bill of materials, components and glazing detail



OVERALL FRAME DIMENSION	OVERALL D.L.O. (TOP)	OVERALL D.L.O. (BOTTOM)	GLASS TYPE	No. OF LOCKS	SASH STILE REINFORCEMENT REQUIRED	DESIGN PRESSURE (PSF)	
						POSITIVE	NEGATIVE
52.0" x 84.0"	44.91" x 36.94"	45.91" x 36.92"	G1	2	YES	+25.0	-25.0
44.0" x 75.0"	36.91" x 32.44"	37.91" x 32.42"	G1	1	NO	+30.0	-30.0
44.0" x 75.0"	36.91" x 32.44"	37.91" x 32.42"	G1	2	YES	+40.0	-40.0
52.0" x 61.0"	44.91" x 25.44"	45.91" x 25.42"	G1	2	YES	+35.0	-35.0
36.0" x 72.0"	28.91" x 30.94"	29.91" x 30.92"	G1	2	YES	+50.0	-50.0
44.0" x 60.0"	36.91" x 24.94"	37.91" x 24.92"	G1	2	NO	+35.0	-35.0
36.0" x 60.0"	28.91" x 24.94"	29.91" x 24.92"	G1	2	NO	+50.0	-50.0



Documents Prepared By: **Lyndon F. Schmidt**
P.E. No. 43409

PROFESSIONAL ENGINEER
STATE OF FLORIDA
No. 43409

BUILDING CONSULTANTS, INC.
P.O. Box 230, Volrico, FL 33595
Phone No.: 813.659.9197
FBPE C.A. No. 9813

PRODUCT: DOUBLE HUNG WINDOW

PART OR ASSEMBLY: TYPICAL ELEVATION, DESIGN PRESSURES & GENERAL NOTES

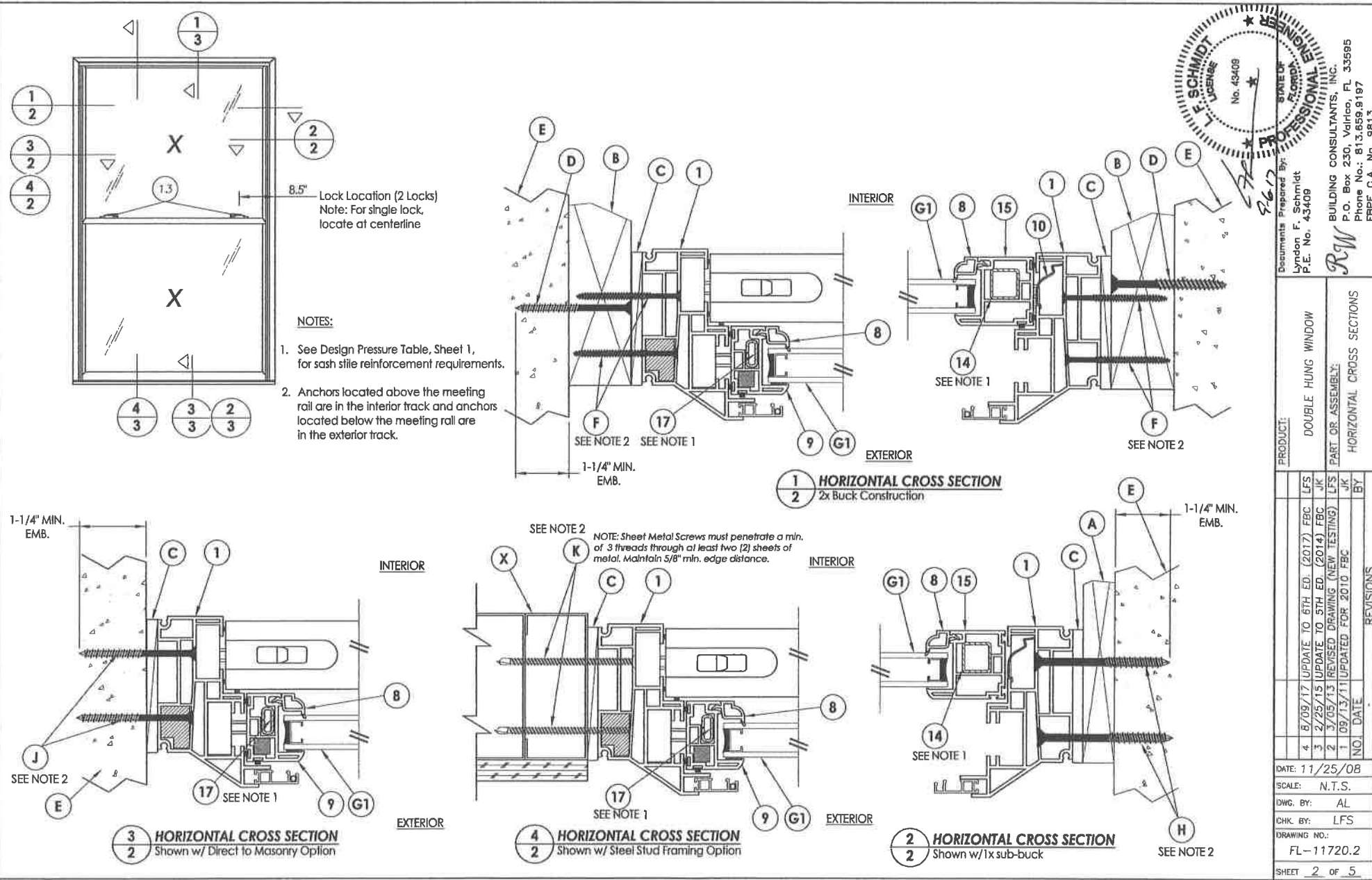
NO.	DATE	REVISIONS
4	8/09/17	UPDATE TO 6TH ED. (2017) FBC LFS
3	2/23/15	UPDATE TO 5TH ED. (2014) FBC JK
2	3/05/13	REVISED DRAWING (NEW TESTING) LFS
1	08/13/11	UPDATED FOR 2010 FBC JK
		NO. DATE

DATE: 11/25/08
SCALE: N.T.S.
DWG. BY: AL
CHK. BY: LFS
DRAWING NO.: FL-11720.2
SHEET 1 OF 5

© 2009 R.W. BUILDING CONSULTANTS INC.

R:\Clients\Associated PERMANENTA - Florida Product Approvals\FL-11720 Windows - Double Hung\C - Drawings\FL-11720 (2017)\FL-11720.1.dwg, FL-11720.2

R:\Client\Associates\PERMANENT\A - Florida Product Approvals\FL-11720 Windows - Double Hung\C - Drawings\FL-11720 (2017)\FL-11720.1-4.dwg.2.4



Documents Prepared By:
Lyndon F. Schmidt
P.E. No. 43409

STATE OF FLORIDA
PROFESSIONAL ENGINEER

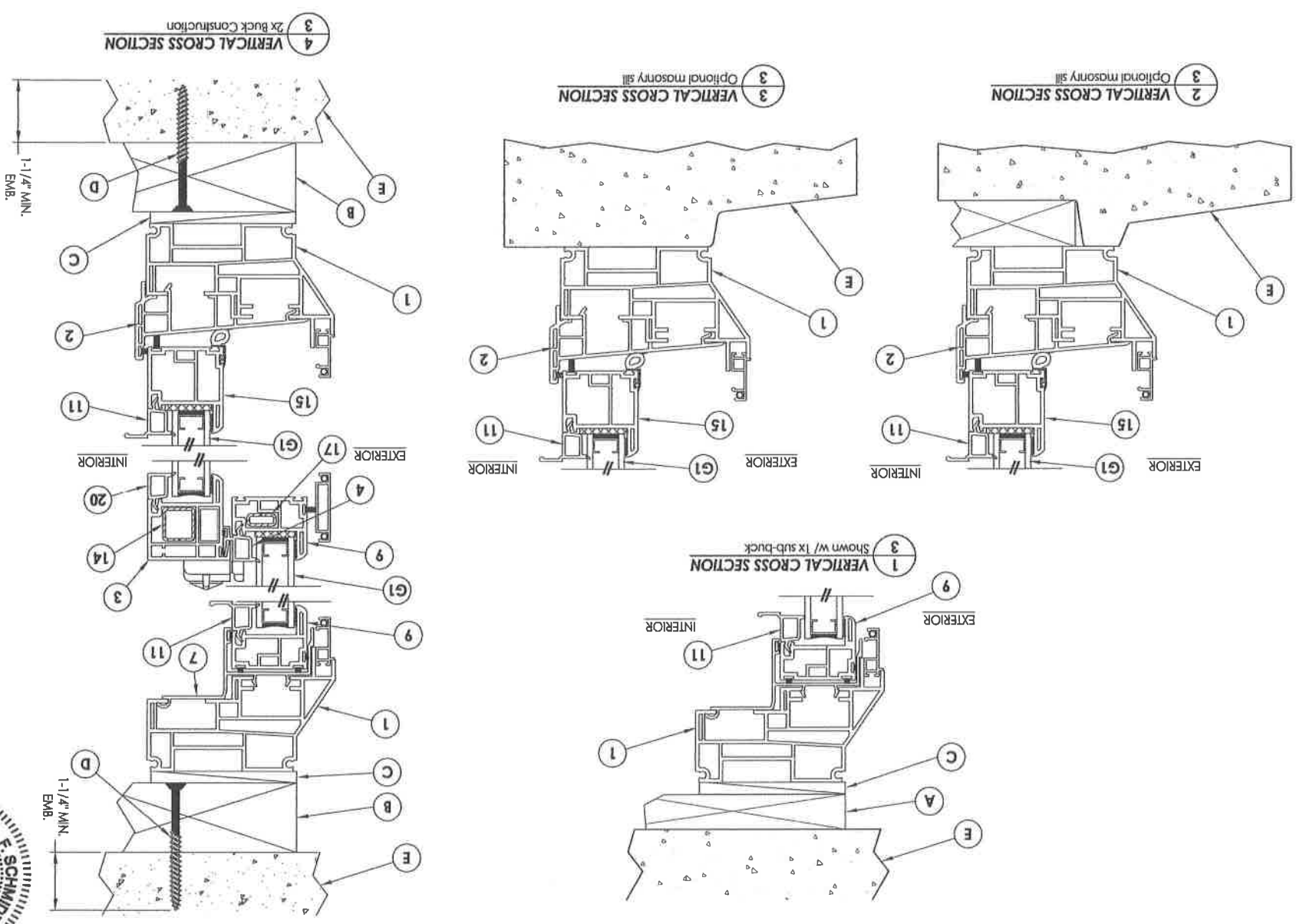
PRODUCT: DOUBLE HUNG WINDOW

PART OR ASSEMBLY: HORIZONTAL CROSS SECTIONS

NO.	DATE	REVISIONS	BY
4	6/09/17	UPDATE TO 6TH ED. (2017) FBC	LFS
3	2/25/15	UPDATE TO 5TH ED. (2014) FBC	JFK
2	3/05/13	REVISED DRAWING (NEW TESTING)	LFS
1	09/13/11	UPDATED FOR 2010 FBC	JFK

DATE: 11/25/08
SCALE: N.T.S.
DWG. BY: AL
CHK. BY: LFS
DRAWING NO.: FL-11720.2
SHEET 2 OF 5

© 2013 R.W. BUILDING CONSULTANTS INC.



DATE: 11/25/08		SCALE: N.T.S.	DWG. BY: AL	CHK. BY: LFS	DRAWING NO.: FL-11720.2	SHEET 3 OF 5
NO.	DATE	DESCRIPTION	BY	CHK		
1	09/19/11	UPDATED FOR 2010 FBC	JK	JK		
2	05/13	REVISED DRAWING (NEW TESTING)	LFS	LFS		
3	2/25/15	UPDATE TO 5TH ED. (2014) FBC	JK	JK		
4	8/09/17	UPDATE TO 6TH ED. (2017) FBC	LFS	LFS		

PRODUCT:	DOUBLE HUNG WINDOW
PART OR ASSEMBLY:	VERTICAL CROSS SECTIONS

Documents Prepared By:	Lyndon F. Schmidt
P.E. No.:	43409

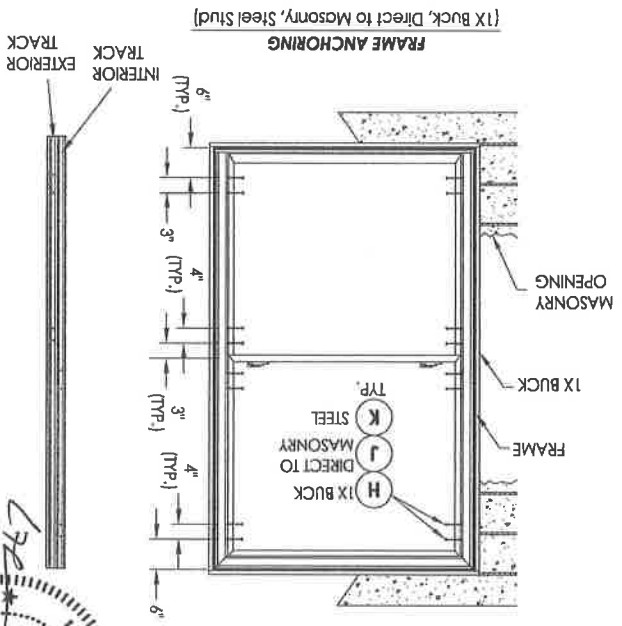
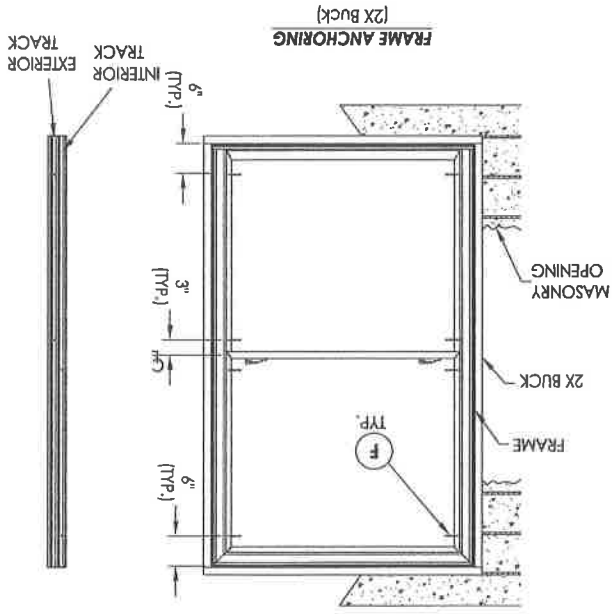
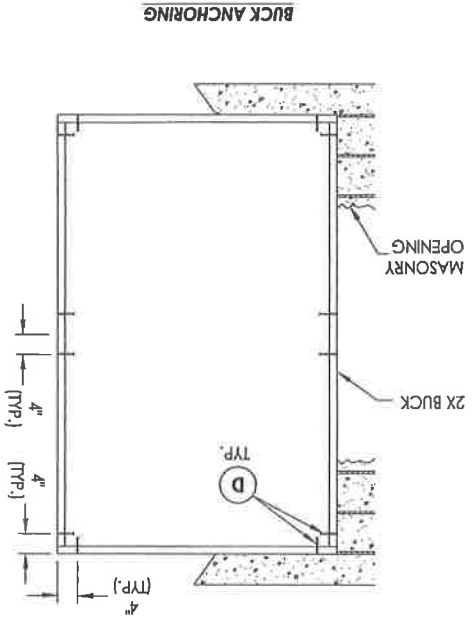
L.F. SCHMIDT
 PROFESSIONAL ENGINEER
 No. 43409
 STATE OF FLORIDA
 LICENSE

2/6/17

RCIENTEL ASSOCIATED BUILDING CONSULTANTS, INC.
 P.O. Box 230, Vero Beach, FL 33595
 Phone No.: 813.659.9197
 FBPE C.A. No. 9813

ANCHOR TYPE	ANCHOR SIZE	MIN. EMBEDMENT TO MASONRY	MIN. CLEARANCE TO EDGE	MIN. CLEARANCE TO ADJACENT ANCHOR
ITW TAPCON®	1/4"	1-1/4"	2"	4"
ULTRACON®	1/4"	1-1/4"	1"	4"

- CONCRETE ANCHOR NOTES:**
1. Concrete anchor locations of the corners may be adjusted to maintain the min. edge distance to mortar joints.
 2. Concrete anchor locations noted as "MAX. ON CENTER" must be adjusted to match the min. edge distance to mortar joints, additional concrete anchors may be required to ensure the "MAX. ON CENTER" dimension are not exceeded.
 3. Concrete anchor labels:
- WOOD SCREW INSTALLATION NOTES:**
1. Maintain a minimum 5/8" edge distance, 1" end distance, & 1" o.c. spacing of wood screws to prevent the splitting of wood.

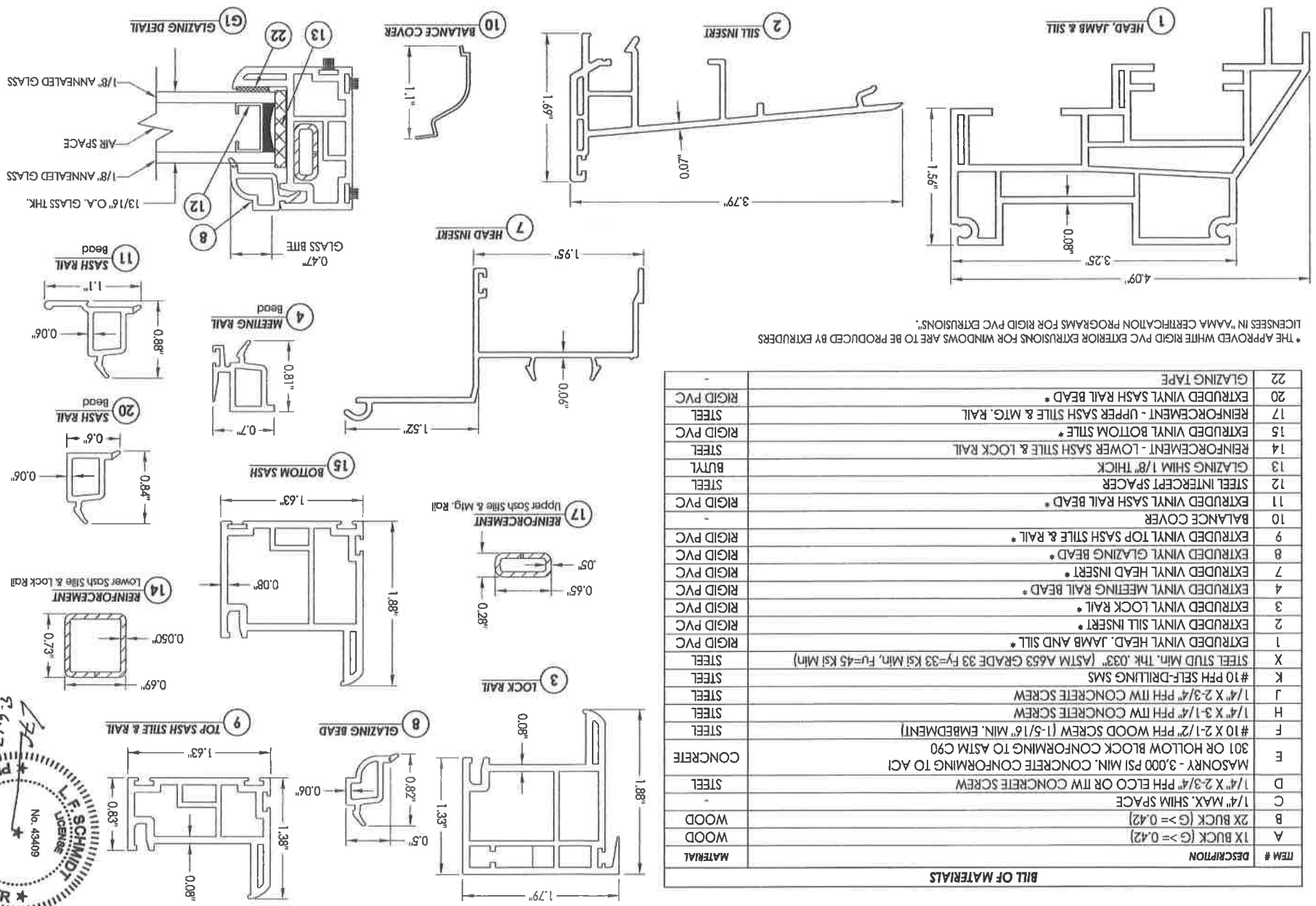


DATE: 11/25/08		SCALE: N.T.S.	DWG. BY: AL	CHK. BY: LFS	DRAWING NO.: FL-11720.2	SHEET 4 OF 5																				
<p>REVISIONS</p> <table border="1"> <thead> <tr> <th>NO.</th> <th>DATE</th> <th>BY</th> <th>DESCRIPTION</th> </tr> </thead> <tbody> <tr> <td>1</td> <td>09/13/11</td> <td>JK</td> <td>UPDATED FOR 2010 FBG</td> </tr> <tr> <td>2</td> <td>3/09/13</td> <td>JK</td> <td>REVISED DRAWING (NEW TESTING)</td> </tr> <tr> <td>3</td> <td>2/08/15</td> <td>LFS</td> <td>UPDATE TO 5TH ED. (2014) FBG</td> </tr> <tr> <td>4</td> <td>8/08/17</td> <td>LFS</td> <td>UPDATE TO 6TH ED. (2017) FBG</td> </tr> </tbody> </table>							NO.	DATE	BY	DESCRIPTION	1	09/13/11	JK	UPDATED FOR 2010 FBG	2	3/09/13	JK	REVISED DRAWING (NEW TESTING)	3	2/08/15	LFS	UPDATE TO 5TH ED. (2014) FBG	4	8/08/17	LFS	UPDATE TO 6TH ED. (2017) FBG
NO.	DATE	BY	DESCRIPTION																							
1	09/13/11	JK	UPDATED FOR 2010 FBG																							
2	3/09/13	JK	REVISED DRAWING (NEW TESTING)																							
3	2/08/15	LFS	UPDATE TO 5TH ED. (2014) FBG																							
4	8/08/17	LFS	UPDATE TO 6TH ED. (2017) FBG																							
PRODUCT: DOUBLE HUNG WINDOW		PART OF ASSEMBLY: BUCK & FRAME ANCHORING																								
<p>Documents Presented by: Lynden F. Schmidt P.E. No. 43408</p> <p>L.F. SCHMIDT No. 43408 Professional Engineer State of Florida</p>		<p>Building Consultants, Inc. P.O. Box 230, Valrico, FL 33595 Phone No.: 813.659.9197 FBPE C.A. No. 9813</p>																								

BILL OF MATERIALS

ITEM #	DESCRIPTION	MATERIAL
A	1X BUCK (G >= 0.42)	WOOD
B	2X BUCK (G >= 0.42)	WOOD
C	1/4" MAX. SHIM SPACE	
D	1/4" X 2-3/4" PFH ELCO OR TW CONCRETE SCREW	STEEL
E	MASONRY - 3,000 PSI MIN. CONCRETE CONFORMING TO ACI 301 OR HOLLOW BLOCK CONFORMING TO ASTM C90	CONCRETE
F	#10 X 2-1/2" PFH WOOD SCREW (1-5/16" MIN. EMBEDMENT)	STEEL
H	1/4" X 3-1/4" PFH TW CONCRETE SCREW	STEEL
J	1/4" X 2-3/4" PFH TW CONCRETE SCREW	STEEL
K	#10 PFH SELF-DRILLING SMS	STEEL
X	STEEL STUD MIN. THK .033" (ASTM A653 GRADE 33 Fy=33 KSI Min, Fu=45 KSI Min)	STEEL
1	EXTRUDED VINYL HEAD, JAMB AND SILL *	RIGID PVC
2	EXTRUDED VINYL SILL INSERT *	RIGID PVC
3	EXTRUDED VINYL LOCK RAIL *	RIGID PVC
4	EXTRUDED VINYL MEETING RAIL BEAD *	RIGID PVC
7	EXTRUDED VINYL HEAD INSERT *	RIGID PVC
8	EXTRUDED VINYL GLAZING BEAD *	RIGID PVC
9	EXTRUDED VINYL TOP SASH STILE & RAIL *	RIGID PVC
10	BALANCE COVER	
11	EXTRUDED VINYL SASH RAIL BEAD *	RIGID PVC
12	STEEL INTERCEPT SPACER	STEEL
13	GLAZING SHIM 1/8" THICK	BUTYL
14	REINFORCEMENT - LOWER SASH STILE & LOCK RAIL	STEEL
15	EXTRUDED VINYL BOTTOM STILE *	RIGID PVC
17	REINFORCEMENT - UPPER SASH STILE & Mtg. Rail	RIGID PVC
20	EXTRUDED VINYL SASH RAIL BEAD *	RIGID PVC
22	GLAZING TAPE	

* THE APPROVED WHITE RIGID PVC EXTERIOR EXTRUSIONS FOR RIGID PVC EXTRUSIONS ARE TO BE PRODUCED BY EXTRUDERS LICENSES IN "AAMA CERTIFICATION PROGRAMS FOR WINDOWS ARE TO BE PRODUCED BY EXTRUDERS"



REVISIONS

NO.	DATE	BY	DESCRIPTION
1	09/13/11	JK	UPDATED FOR 2010 TBC
2	02/05/13	LVS	REVISED DRAWING (NEW TESTING)
3	2/25/15	JK	UPDATE TO 5TH ED. (2014) FBC
4	8/08/17	LVS	UPDATE TO 6TH ED. (2017) FBC

DATE: 11/25/08
SCALE: N.T.S.
DWS. BY: AL
CHK. BY: LFS
DRAWING NO.: FL-11720.2
SHEET 5 OF 5

PRODUCT: DOUBLE HUNG WINDOW
PART OR ASSEMBLY: BILL OF MATERIALS COMPONENTS AND GLAZING DETAIL

Documents Prepared By:
Lunden F. Schmidt
P.E. No. 43409

REGISTERED PROFESSIONAL ENGINEER
STATE OF FLORIDA
L.F. SCHMIDT
No. 43409
Exp. 12/31/17

BUILDING CONSULTANTS, INC.
P.O. Box 230, Valrico, FL 33595
Phone No.: 813.659.9197
FBPE C.A. No. 9813

© 2013 R.W. BUILDING CONSULTANTS, INC.



Product Approval
USER: Public User

[Product Approval Menu](#) > [Product or Application Search](#) > [Application List](#) > [Application Detail](#)

OFFICE OF THE
SECRETARY

FL #	FL12323-R5	
Application Type	Revision	
Code Version	2017	
Application Status	Approved	
Comments		
Archived	<input type="checkbox"/>	
Product Manufacturer	Associated Materials Inc.	
Address/Phone/Email	3773 State Road Cuyahoga Falls, OH 44223 (330) 922-2108 rickw@rwbldgconsultants.com	
Authorized Signature	Vivian Wright rickw@rwbldgconsultants.com	
Technical Representative		
Address/Phone/Email		
Quality Assurance Representative		
Address/Phone/Email		
Category	Exterior Doors	
Subcategory	Sliding Exterior Door Assemblies	
Compliance Method	Evaluation Report from a Florida Registered Architect or a Licensed Florida Professional Engineer <input type="checkbox"/> Evaluation Report - Hardcopy Received	
Florida Engineer or Architect Name who developed the Evaluation Report	Lyndon F. Schmidt, P.E.	
Florida License	PE-43409	
Quality Assurance Entity	Architectural Testing, Inc., an Intertek Company	
Quality Assurance Contract Expiration Date	12/31/2020	
Validated By	Ryan J. King, P.E. <input checked="" type="checkbox"/> Validation Checklist - Hardcopy Received	
Certificate of Independence	FL12323 R5 COI (b) Certificate of Independence.pdf	
Referenced Standard and Year (of Standard)	Standard	Year
	AAMA/WDMA/CSA101/I.S.2/A440	2005
	AAMA/WDMA/CSA101/I.S.2/A440	2008
	AAMA/WDMA/CSA101/I.S.2/A440	2011
	ASTM E1886	2005
	ASTM E1886	2013
	ASTM E1996	2006
	ASTM E1996	2012
	ASTM E1996	2014
Equivalence of Product Standards Certified By		
Sections from the Code		
Product Approval Method	Method 1 Option D	
Date Submitted	10/16/2017	

Summary of Products

Go to Page

FL #	Model, Number or Name	Description
12323.1	a. Model 6105/6106/6175	Extruded Vinyl Sliding Patio Door - (XO or OX Configuration - Nominal 6'0 x 6'8)
Limits of Use Approved for use in HVHZ: No Approved for use outside HVHZ: Yes Impact Resistant: No Design Pressure: N/A Other: See INST 12323.1 for Design Pressure Ratings, any additional use limitations, installation instructions and product particulars.		Installation Instructions FL12323_R5_II (a) Inst 12323.1.pdf Verified By: Lyndon F. Schmidt, P.E. 43409 Created by Independent Third Party: Yes Evaluation Reports FL12323_R5_AE (a) Eval 12323.1.pdf Created by Independent Third Party: Yes
12323.2	b. Model 8105/8106/8175	Extruded Vinyl Sliding Patio Door - (XO or OX Configuration - Nominal 6'0 x 6'8)
Limits of Use Approved for use in HVHZ: No Approved for use outside HVHZ: Yes Impact Resistant: No Design Pressure: N/A Other: See INST 12323.2 for Design Pressure Ratings, any additional use limitations, installation instructions and product particulars.		Installation Instructions FL12323_R5_II (a) Inst 12323.2.pdf Verified By: Lyndon F. Schmidt, P.E. 43409 Created by Independent Third Party: Yes Evaluation Reports FL12323_R5_AE (a) Eval 12323.2.pdf Created by Independent Third Party: Yes
12323.3	c. Model 9105/9106/9175	Extruded Vinyl Sliding Patio Door - (XO or OX Configuration - Nominal 6'0 x 6'8)
Limits of Use Approved for use in HVHZ: No Approved for use outside HVHZ: Yes Impact Resistant: No Design Pressure: N/A Other: See INST 12323.3 for Design Pressure Ratings, any additional use limitations, installation instructions and product particulars.		Installation Instructions FL12323_R5_II (a) Inst 12323.3.pdf Verified By: Lyndon F. Schmidt, P.E. 43409 Created by Independent Third Party: Yes Evaluation Reports FL12323_R5_AE (a) Eval 12323.3.pdf Created by Independent Third Party: Yes
12323.4	d. Model 6108	Extruded Vinyl Sliding Patio Door - (XO or OX Configuration - Nominal 6'0 x 8'0)
Limits of Use Approved for use in HVHZ: No Approved for use outside HVHZ: Yes Impact Resistant: No Design Pressure: N/A Other: See INST 12323.4 for Design Pressure Ratings, any additional use limitations, installation instructions and product particulars.		Installation Instructions FL12323_R5_II (a) Inst 12323.4.pdf Verified By: Lyndon F. Schmidt, P.E. 43409 Created by Independent Third Party: Yes Evaluation Reports FL12323_R5_AE (a) Eval 12323.4.pdf Created by Independent Third Party: Yes
12323.5	e. Model 8108	Extruded Vinyl Sliding Patio Door - (XO or OX Configuration - Nominal 6'0 x 8'0)
Limits of Use Approved for use in HVHZ: No Approved for use outside HVHZ: Yes Impact Resistant: No Design Pressure: N/A Other: See INST 12323.5 for Design Pressure Ratings, any additional use limitations, installation instructions and product particulars.		Installation Instructions FL12323_R5_II (a) Inst 12323.5.pdf Verified By: Lyndon F. Schmidt, P.E. 43409 Created by Independent Third Party: Yes Evaluation Reports FL12323_R5_AE (a) Eval 12323.5.pdf Created by Independent Third Party: Yes
12323.6	f. Model 9108	Extruded Vinyl Sliding Patio Door - (XO or OX Configuration - Nominal 6'0 x 8'0)
Limits of Use Approved for use in HVHZ: No Approved for use outside HVHZ: Yes Impact Resistant: No Design Pressure: N/A Other: See INST 12323.6 for Design Pressure Ratings, any additional use limitations, installation instructions and product particulars.		Installation Instructions FL12323_R5_II (a) Inst 12323.6.pdf Verified By: Lyndon F. Schmidt, P.E. 43409 Created by Independent Third Party: Yes Evaluation Reports FL12323_R5_AE (a) Eval 12323.6.pdf Created by Independent Third Party: Yes
12323.7	g. Model 6109	Extruded Vinyl Sliding Patio Door - (OXO Configuration - Nominal 9'0 x 6'8)
Limits of Use Approved for use in HVHZ: No Approved for use outside HVHZ: Yes Impact Resistant: No Design Pressure: N/A Other: See INST 12323.7 for Design Pressure Ratings, any additional use limitations, installation instructions and product particulars.		Installation Instructions FL12323_R5_II (a) Inst 12323.7.pdf Verified By: Lyndon F. Schmidt, P.E. 43409 Created by Independent Third Party: Yes Evaluation Reports FL12323_R5_AE (a) Eval 12323.7.pdf Created by Independent Third Party: Yes

12323.8	h. Model 8109	Extruded Vinyl Sliding Patio Door - (OXO Configuration - Nominal 9'0 x 6'8)
Limits of Use Approved for use in HVHZ: No Approved for use outside HVHZ: Yes Impact Resistant: No Design Pressure: N/A Other: See INST 12323.8 for Design Pressure Ratings, any additional use limitations, installation instructions and product particulars.		Installation Instructions FL12323_R5_II (a) Inst 12323.8.pdf Verified By: Lyndon F. Schmidt, P.E. 43409 Created by Independent Third Party: Yes Evaluation Reports FL12323_R5_AE (a) Eval 12323.8.pdf Created by Independent Third Party: Yes
12323.9	i. Model 9109	Extruded Vinyl Sliding Patio Door - (OXO Configuration - Nominal 9'0 x 6'8)
Limits of Use Approved for use in HVHZ: No Approved for use outside HVHZ: Yes Impact Resistant: No Design Pressure: N/A Other: See INST 12323.9 for Design Pressure Ratings, any additional use limitations, installation instructions and product particulars.		Installation Instructions FL12323_R5_II (a) Inst 12323.9.pdf Verified By: Lyndon F. Schmidt, P.E. 43409 Created by Independent Third Party: Yes Evaluation Reports FL12323_R5_AE (a) Eval 12323.9.pdf Created by Independent Third Party: Yes
12323.10	j. Model 6122	Extruded Vinyl Sliding Patio Door - (OXO Configuration - Nominal 12'0 x 6'8)
Limits of Use Approved for use in HVHZ: No Approved for use outside HVHZ: Yes Impact Resistant: No Design Pressure: N/A Other: See INST 12323.10 for Design Pressure Ratings, any additional use limitations, installation instructions and product particulars.		Installation Instructions FL12323_R5_II (a) Inst 12323.10.pdf Verified By: Lyndon F. Schmidt, P.E. 43409 Created by Independent Third Party: Yes Evaluation Reports FL12323_R5_AE (a) Eval 12323.10.pdf Created by Independent Third Party: Yes
12323.11	k. Model 8122	Extruded Vinyl Sliding Patio Door - (OXO Configuration - Nominal 12'0 x 6'8)
Limits of Use Approved for use in HVHZ: No Approved for use outside HVHZ: Yes Impact Resistant: No Design Pressure: N/A Other: See INST 12323.11 for Design Pressure Ratings, any additional use limitations, installation instructions and product particulars.		Installation Instructions FL12323_R5_II (a) Inst 12323.11.pdf Verified By: Lyndon F. Schmidt, P.E. 43409 Created by Independent Third Party: Yes Evaluation Reports FL12323_R5_AE (a) Eval 12323.11.pdf Created by Independent Third Party: Yes
12323.12	l. Model 9122	Extruded Vinyl Sliding Patio Door - (OXO Configuration - Nominal 12'0 x 6'8)
Limits of Use Approved for use in HVHZ: No Approved for use outside HVHZ: Yes Impact Resistant: No Design Pressure: N/A Other: See INST 12323.12 for Design Pressure Ratings, any additional use limitations, installation instructions and product particulars.		Installation Instructions FL12323_R5_II (a) Inst 12323.12.pdf Verified By: Lyndon F. Schmidt, P.E. 43409 Created by Independent Third Party: Yes Evaluation Reports FL12323_R5_AE (a) Eval 12323.12.pdf Created by Independent Third Party: Yes
12323.13	m. Model 11"i"5/11"i"6/11"i"8	Extruded Vinyl Sliding Patio Door with Nailing Fin - (XO or OX Configuration - Nominal 8'0 x 6'10)
Limits of Use Approved for use in HVHZ: No Approved for use outside HVHZ: Yes Impact Resistant: No Design Pressure: N/A Other: See INST 12323.13 for Design Pressure Ratings, any additional use limitations, installation instructions and product particulars.		Installation Instructions FL12323_R5_II (a) Inst 12323.13.pdf Verified By: Lyndon F. Schmidt, P.E. 43409 Created by Independent Third Party: Yes Evaluation Reports FL12323_R5_AE (a) Eval 12323.13.pdf Created by Independent Third Party: Yes
12323.14	n. Model 51"i"5/51"i"6/51"i"8	Extruded Vinyl Sliding Patio Door - (XO or OX Configuration - Nominal 8'0 x 6'10)
Limits of Use Approved for use in HVHZ: No Approved for use outside HVHZ: Yes Impact Resistant: No Design Pressure: N/A Other: See INST 12323.14 for Design Pressure Ratings, any additional use limitations, installation instructions and product particulars.		Installation Instructions FL12323_R5_II (a) Inst 12323.14.pdf Verified By: Lyndon F. Schmidt, P.E. 43409 Created by Independent Third Party: Yes Evaluation Reports FL12323_R5_AE (a) Eval 12323.14.pdf Created by Independent Third Party: Yes
12323.15	o. Model 11"i"9	Extruded Vinyl Sliding Patio Door with Nailing Fin - (OXO Configuration - Nominal 9'0 x 6'10)
Limits of Use Approved for use in HVHZ: No Approved for use outside HVHZ: Yes Impact Resistant: No Design Pressure: N/A Other: See INST 12323.15 for Design Pressure Ratings, any additional use limitations, installation instructions and product particulars.		Installation Instructions FL12323_R5_II (a) Inst 12323.15.pdf Verified By: Lyndon F. Schmidt, P.E. 43409 Created by Independent Third Party: Yes Evaluation Reports FL12323_R5_AE (a) Eval 12323.15.pdf Created by Independent Third Party: Yes

12323.16	p. Model 51"i"9	Extruded Vinyl Sliding Patio Door with Nailing Fin - (OXO Configuration - Nominal 9'0 x 6'10)
Limits of Use Approved for use in HVHZ: No Approved for use outside HVHZ: Yes Impact Resistant: No Design Pressure: N/A Other: See INST 12323.16 for Design Pressure Ratings, any additional use limitations, installation instructions and product particulars.		Installation Instructions FL12323_R5_II (a) Inst 12323.16.pdf Verified By: Lyndon F. Schmidt, P.E. 43409 Created by Independent Third Party: Yes Evaluation Reports FL12323_R5_AE (a) Eval 12323.16.pdf Created by Independent Third Party: Yes
12323.17	q. Model 1105/1106	Extruded Vinyl Sliding Patio Door with Nailing Fin - (XO or OX Configuration - Nominal 6'0 x 6'8)
Limits of Use Approved for use in HVHZ: No Approved for use outside HVHZ: Yes Impact Resistant: No Design Pressure: N/A Other: See INST 12323.17 for Design Pressure Ratings, any additional use limitations, installation instructions and product particulars.		Installation Instructions FL12323_R5_II (a) Inst 12323.17.pdf Verified By: Lyndon F. Schmidt, P.E. 43409 Created by Independent Third Party: Yes Evaluation Reports FL12323_R5_AE (a) Eval 12323.17.pdf Created by Independent Third Party: Yes
12323.18	R. Model 51i5/51i6/51i8	Extruded Vinyl Sliding Patio "Impact" Door - (XO or OX Configuration - Nominal 8'0 x 6'8)
Limits of Use Approved for use in HVHZ: No Approved for use outside HVHZ: Yes Impact Resistant: Yes Design Pressure: N/A Other: See INST 12323.18 for Design Pressure Ratings, any additional use limitations, installation instructions and product particulars.		Installation Instructions FL12323_R5_II (a) Inst 12323.18.pdf Verified By: Lyndon F. Schmidt, P.E. 43409 Created by Independent Third Party: Yes Evaluation Reports FL12323_R5_AE (a) Eval 12323.18.pdf Created by Independent Third Party: Yes
12323.19	s. Model 11"i"5/11"i"6/11"i"8	Extruded Vinyl Sliding Patio "Impact" Door with Nailing Fin - (XO or OX Configuration - Nominal 8'0 x 6'10)
Limits of Use Approved for use in HVHZ: No Approved for use outside HVHZ: Yes Impact Resistant: Yes Design Pressure: N/A Other: See INST 12323.19 for Design Pressure Ratings, any additional use limitations, installation instructions and product particulars.		Installation Instructions FL12323_R5_II (a) Inst 12323.19.pdf Verified By: Lyndon F. Schmidt, P.E. 43409 Created by Independent Third Party: Yes Evaluation Reports FL12323_R5_AE (a) Eval 12323.19.pdf Created by Independent Third Party: Yes
12323.20	t. Series 5200 Model 5203, 5209, 5210, 5212	Extruded Vinyl Sliding Patio Door with Sill Riser - (XOX Configuration - Nominal 12'0 x 8'0)
Limits of Use Approved for use in HVHZ: No Approved for use outside HVHZ: Yes Impact Resistant: No Design Pressure: N/A Other: See INST 12323.20 for Design Pressure Ratings, any additional use limitations, installation instructions and product particulars.		Installation Instructions FL12323_R5_II (a) Inst 12323.20.pdf Verified By: Lyndon F. Schmidt, P.E. 43409 Created by Independent Third Party: Yes Evaluation Reports FL12323_R5_AE (a) Eval 12323.20.pdf Created by Independent Third Party: Yes

Contact Us :: [2601 Blair Stone Road, Tallahassee FL 32399](#) Phone: 850-487-1824

The State of Florida is an AA/EEO employer. [Copyright 2007-2013 State of Florida](#), :: [Privacy Statement](#) :: [Accessibility Statement](#) :: [Refund Statement](#)

Under Florida law, email addresses are public records. If you do not want your e-mail address released in response to a public-records request, do not send electronic mail to this entity. Instead, contact the office by phone or by traditional mail. If you have any questions, please contact 850.487.1395. *Pursuant to Section 455.275 (1), Florida Statutes, effective October 1, 2012, licensees licensed under Chapter 455, F.S. must provide the Department with an email address if they have one. The emails provided may be used for official communication with the licensee. However email addresses are public record. If you do not wish to supply a personal address, please provide the Department with an email address which can be made available to the public. To determine if you are a licensee under Chapter 455, F.S., please click [here](#).



R:\Clients\Associated PERMANENT.A - Florida Product Approvals\FL-12323 Exterior Doors - Sliding Vinyl Doors - Drawings\FL-12323 (2017)\FL-12323-20-13.dwg, FL-12323-23

ASSOCIATED MATERIALS
INCORPORATED
3773 STATE ROAD
CUYAHOGA FALLS, OH 44223

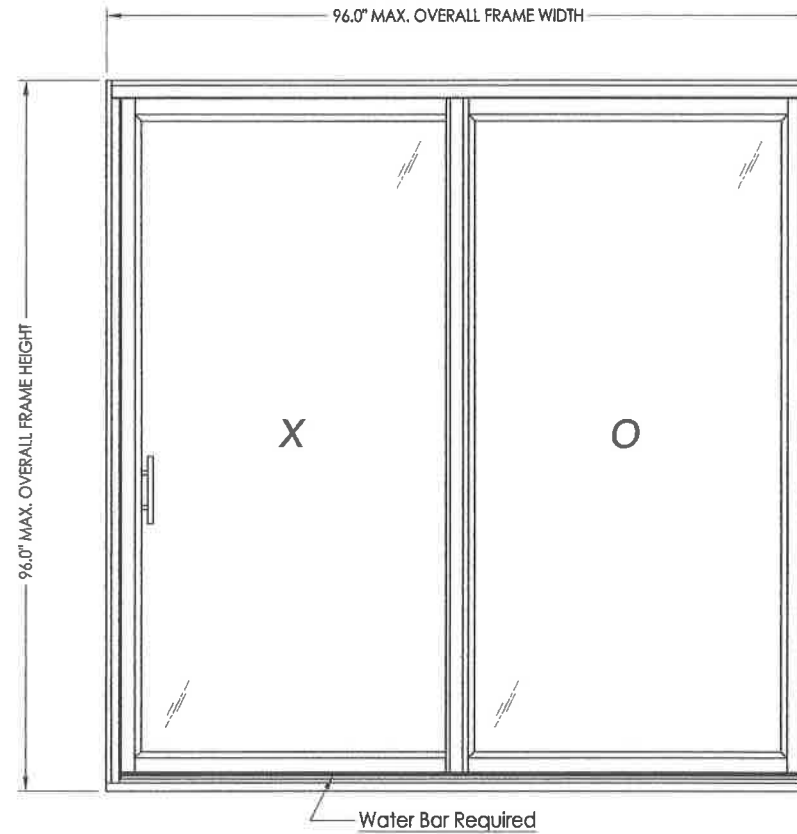
SERIES 5200
MODEL 5202/5205/5206/5208
EXTRUDED VINYL
SLIDING PATIO DOORS
"IMPACT"

GENERAL NOTES

- This product has been evaluated and is in compliance with the 6th Edition (2017) Florida Building Code (FBC) structural requirements excluding the "High Velocity Hurricane Zone" (HVHZ).
- Product anchors shall be as listed and spaced as shown on details. Anchor embedment to base material shall be beyond wall dressing or stucco.
- When used in areas requiring wind borne debris protection this product complies with FBC Sections 1609.1.2 & R301.2.1.2 and does not require an impact resistant covering. This product meets missile level "D" and excludes Wind Zone 4 as defined in ASTM E1996 and FBC Sections 1609.1.2.2 & R301.2.1.2.1.
- For 2x stud framing construction, anchoring of these units shall be the same as that shown for 2x buck masonry construction.
- Site conditions that deviate from the details of this drawing require further engineering analysis by a licensed engineer or registered architect.

TABLE OF CONTENTS

SHEET#	DESCRIPTION
1	Typical elevation, design pressures & general notes
2	Horizontal and vertical cross sections
3	Horizontal and vertical cross sections
4	Buck & frame anchoring
5	Bill of materials, glazing detail & components



OVERALL FRAME DIMENSION	MAX. PANEL DIMENSION	MAX. D.L.O. DIMENSION	DESIGN PRESSURE (PSF)	
			POSITIVE	NEGATIVE
96.0" x 96.0"	48.5" X 91.87"	41.5" X 82.12"	+60.0	-60.0



October 11, 2017
Documents Prepared By:
Lyndon F. Schmidt
P.E. No. 43409

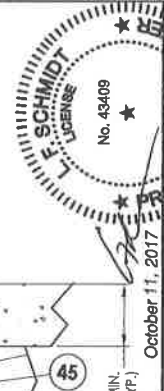
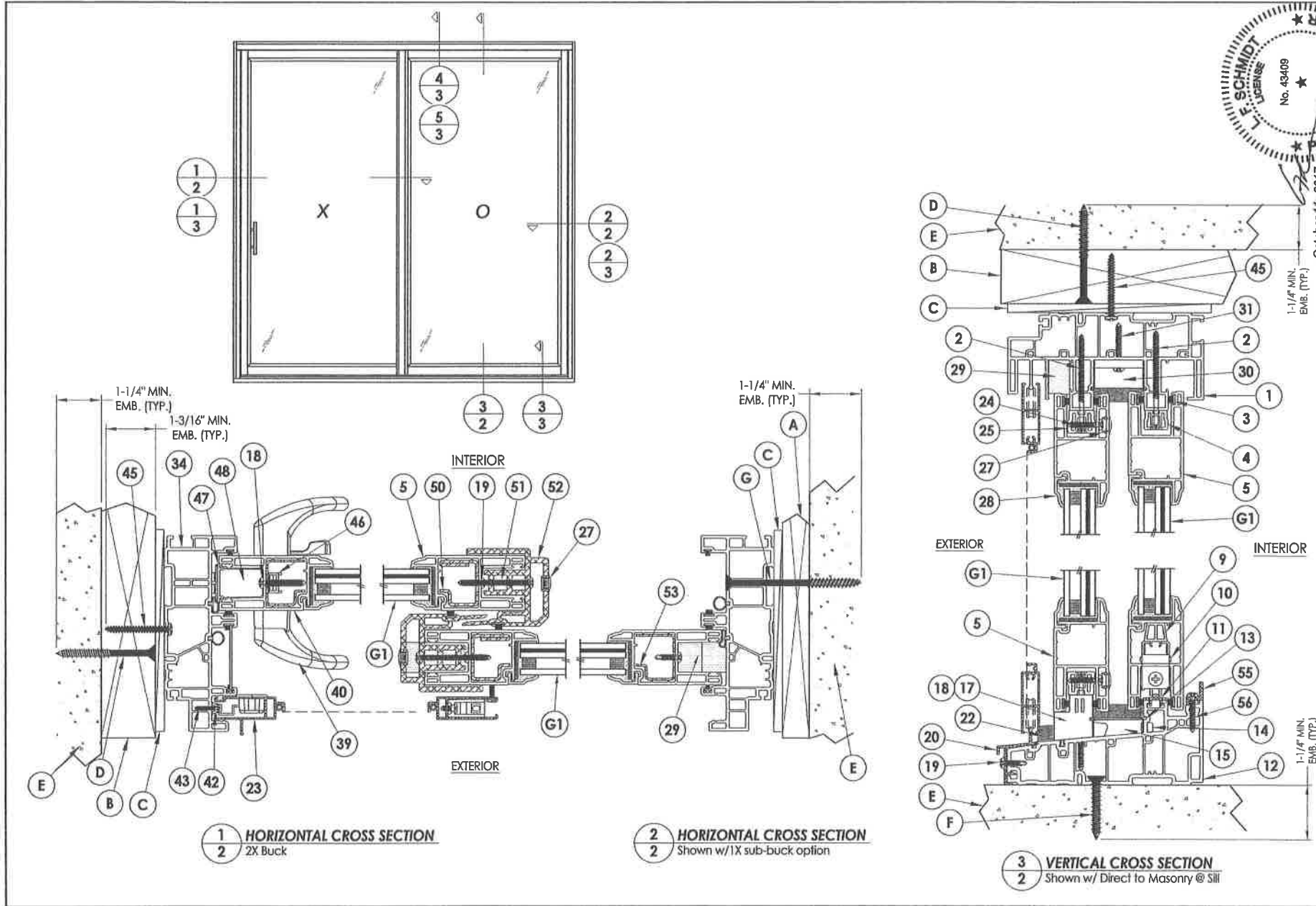
R.W.
BUILDING CONSULTANTS, INC.
P.O. Box 230, Valrico, FL 33595
Phone No.: 813.659.9197
FBPE C.A. No. 9813

PRODUCT:	EXTRUDED VINYL SLIDING PATIO DOORS	
PART OR ASSEMBLY:	TYPICAL ELEVATION, DESIGN PRESSURES & GENERAL NOTES	
NO.	DATE	REVISIONS
2	10/10/17	UPDATE TO 6TH ED. (2017) FBC
1	1/27/15	UPDATE TO 5TH ED. (2014) FBC

DATE: 12/19/11
SCALE: N.T.S.
DWG. BY: KV
CHK. BY: LFS
DRAWING NO.: FL-12323.23
SHEET 1 OF 5

© 2011 R.W. BUILDING CONSULTANTS INC.

R:\Clients\Associated PERMANENTA - Florida Product Approvals\FL-12323 Exterior Doors - Sliding Exterior Door Assemblies.C - Drawings\FL-12323 20-23.dwg, 25-2



Documents Prepared By: *RW*
 Lyndon F. Schmidt
 P.E. No. 43409
 October 11, 2017

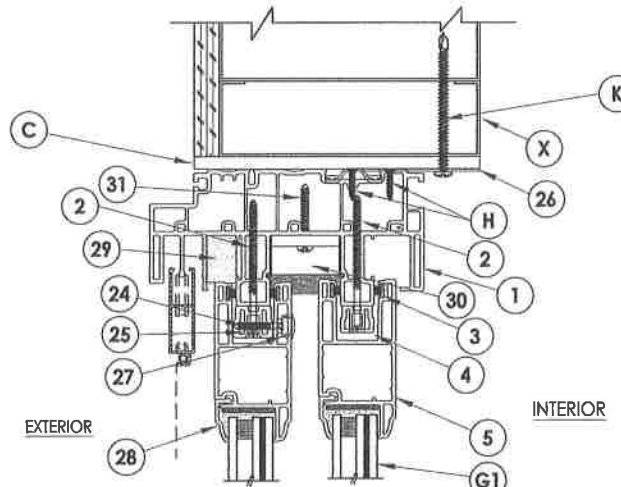
BUILDING CONSULTANTS, INC.
 P.O. Box 230, Valrico, FL 33595
 Phone No.: 813.659.9197
 FBPE C.A. No. 9813

PRODUCT:	EXTRUDED VINYL SLIDING PATIO DOORS
PART OR ASSEMBLY:	HORIZONTAL & VERTICAL CROSS SECTIONS
DATE:	12/19/11
SCALE:	N.T.S.
DWG. BY:	KV
CHK. BY:	LFS
DRAWING NO.:	FL-12323.23
SHEET	2 OF 5

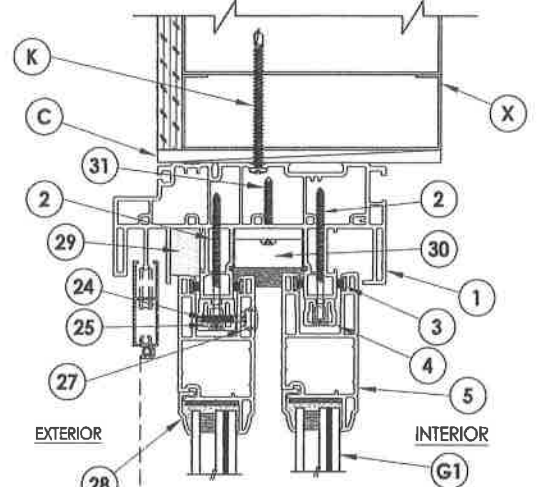
NO.	DATE	REVISIONS
2	10/18/17	UPDATE TO 6TH ED. (2017) FBC
1	11/27/15	UPDATE TO 5TH ED. (2014) FBC

© 2011 R.W. BUILDING CONSULTANTS INC.

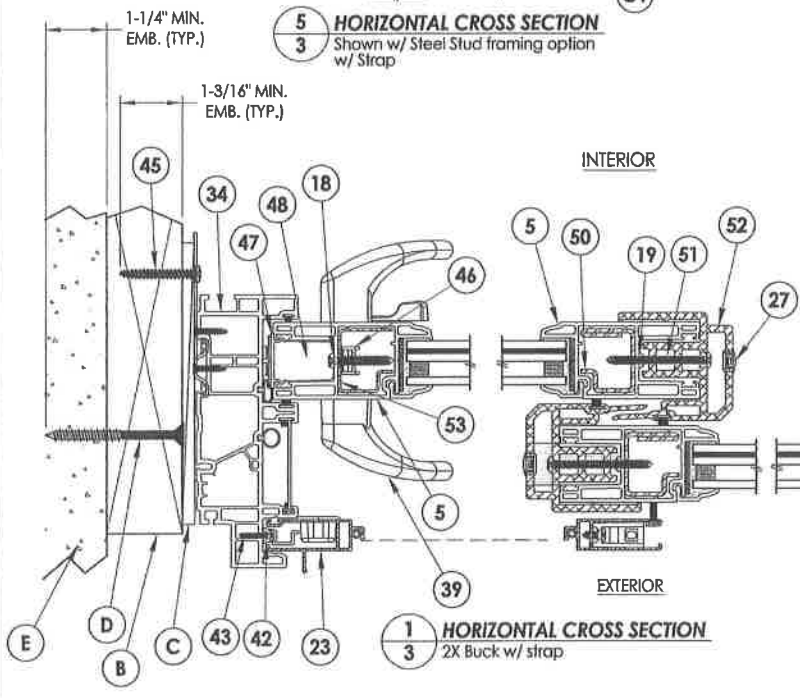
R:\Clients\Associated PERMANENTIA - Florida Product Approvals\FL-12323 Exterior Doors - Sliding Exterior Door Assemblies\C - Drawings\FL-12323-20-23.dwg 25-3



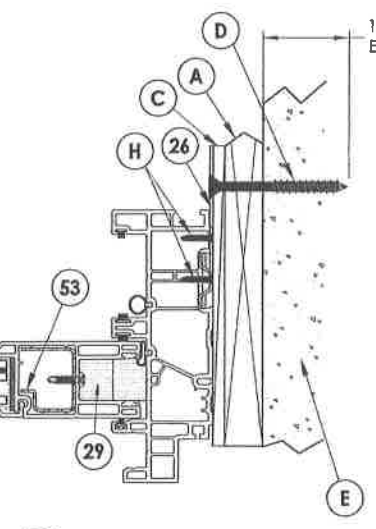
5 HORIZONTAL CROSS SECTION
3 Shown w/ Steel Stud framing option w/ Strap



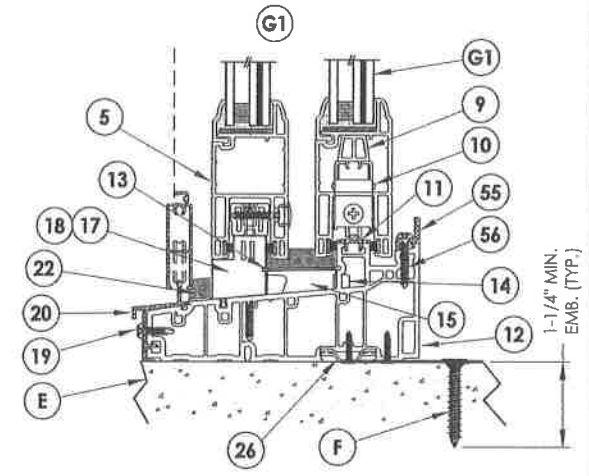
4 HORIZONTAL CROSS SECTION
3 Shown w/ Steel Stud framing option



1 HORIZONTAL CROSS SECTION
3 2X Buck w/ strap



2 HORIZONTAL CROSS SECTION
3 Shown w/ 1X sub-buck option w/ strap



3 VERTICAL CROSS SECTION
3 Shown w/ Direct to Masonry option w/ strap

NOTE: Sheet Metal Screws must penetrate a min. of 3 threads through at least two (2) sheets of metal. Maintain a minimum 5/8\"



October 11, 2017
 Documents Prepared By:
 Lyndon F. Schmidt
 P.E. No. 43409
 BUILDING CONSULTANTS, INC.
 P.O. Box 230, Valrico, FL 33595
 Phone No.: 813.659.9197
 FBPE C.A. No. 9813

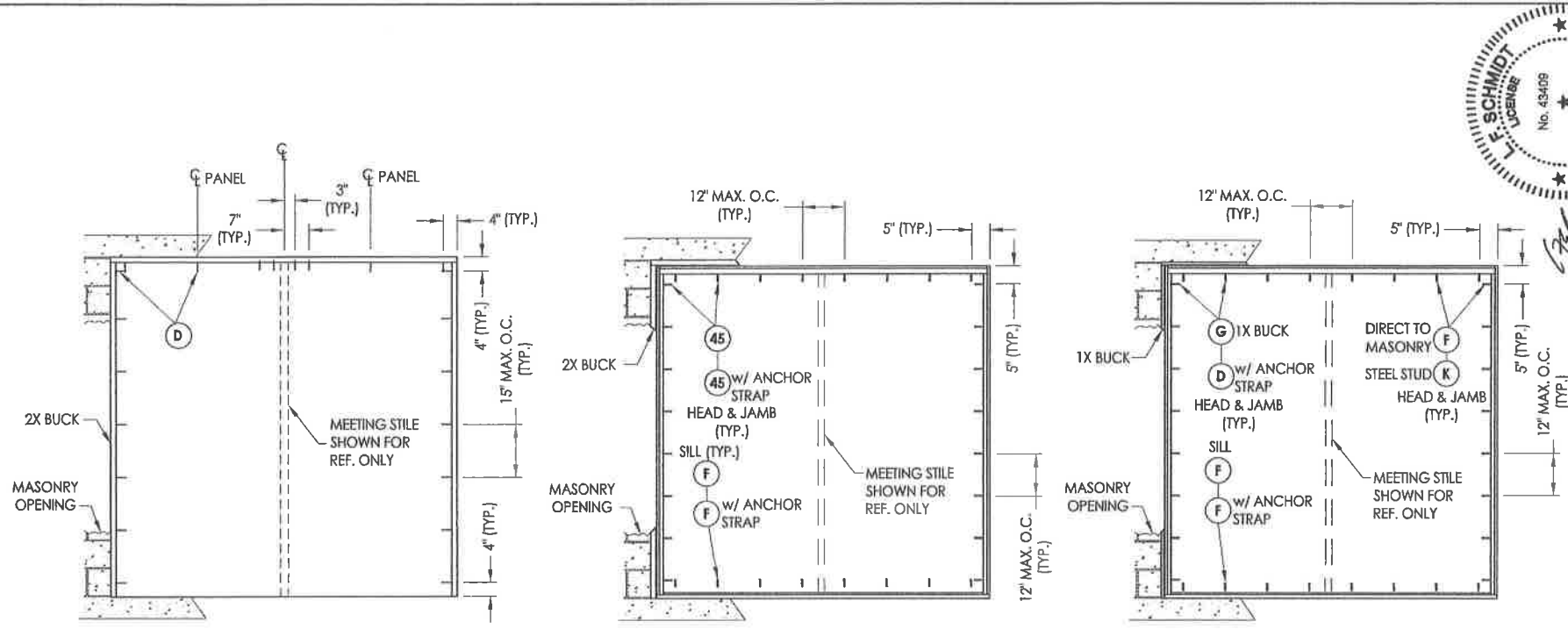
PRODUCT: EXTRUDED VINYL SLIDING PATIO DOORS
 PART OR ASSEMBLY: HORIZONTAL & VERTICAL CROSS SECTIONS

NO.	DATE	BY
1	10/16/17	LFS
2	10/16/17	FRC
3	1/27/15	FRC

DATE: 12/19/11
 SCALE: N.T.S.
 DWG. BY: KV
 CHK. BY: LFS
 DRAWING NO.: FL-12323.23
 SHEET 3 OF 5

© 2011 R.W. BUILDING CONSULTANTS INC.

R:\Clients\Associated PERMANENT A - Florida Product Approvals\FL-12323 Exterior Doors - Sliding Exterior Door Assemblies\C - Drawings\FL-12323 (2017)\FL-12323.20-23.dwg, 25-4



**BUCK ANCHORING
MASONRY**

**FRAME ANCHORING
2X**

**FRAME ANCHORING
(1X Steel Stud, Direct to Masonry)**

- CONCRETE ANCHOR NOTES:**
- Concrete anchor locations at the corners may be adjusted to maintain the min. edge distance to mortar joints.
 - Concrete anchor locations noted as "MAX. ON CENTER" must be adjusted to maintain the min. edge distance to mortar joints, additional concrete anchors may be required to ensure the "MAX. ON CENTER" dimension are not exceeded.
 - Concrete anchor table:

ANCHOR TYPE	ANCHOR SIZE	MIN. EMBEDMENT	MIN. CLEARANCE TO MASONRY EDGE	MIN. CLEARANCE TO ADJACENT ANCHOR
ITW TAPCON®	1/4"	1-1/4"	2"	4"
ELCO ULTRACON®	1/4"	1-1/4"	1"	4"

- WOOD SCREW INSTALLATION NOTES:**
- Maintain a minimum 5/8" edge distance, 1" end distance, & 1" o.c. spacing of wood screws to prevent the splitting of wood.



October 11, 2017
 Documents Prepared By:
 Lyndon F. Schmidt
 P.E. No. 43409
 R.W. BUILDING CONSULTANTS, INC.
 P.O. Box 230, Valrico, FL 33595
 Phone No.: 813.859.9197
 FBPE C.A. No. 9813

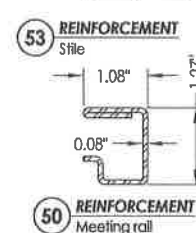
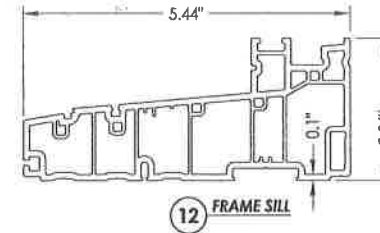
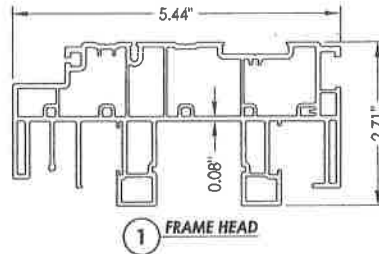
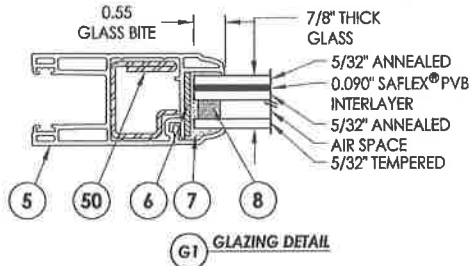
PRODUCT:	EXTRUDED VINYL SLIDING PATIO DOORS
PART OR ASSEMBLY:	BUCK & FRAME ANCHORING
DATE:	12/19/11
SCALE:	N.T.S.
DWG. BY:	KV
CHK. BY:	LFS
DRAWING NO.:	FL-12323.23
SHEET	4 OF 5

© 2011 R.W. BUILDING CONSULTANTS INC.

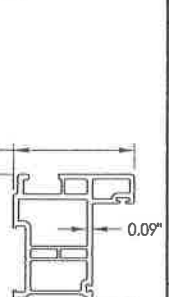
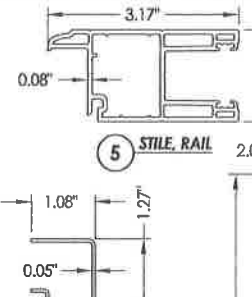
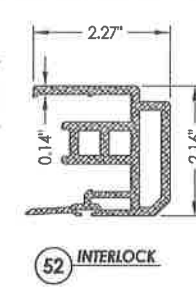
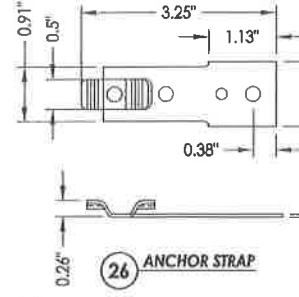
R:\Clients\Associated PERMANENTVA - Florida Product Approvals\FL-12323 Exterior Doors - Sliding Exterior Door Assemblies\C - Drawings\FL-12323 (2017)\FL-12323-20-23.dwg, 25-5

BILL OF MATERIALS		
ITEM #	DESCRIPTION	MATERIAL
A	1X BUCK SG >= 0.55	WOOD
B	2X BUCK SG >= 0.55	WOOD
C	1/4" MAX. SHIM SPACE	-
D	1/4" X 2-3/4" ELCO OR ITW CONCRETE SCREW	STEEL
E	MASONRY - 3,000 PSI MIN. CONCRETE CONFORMING TO ACI 301 OR HOLLOW BLOCK CONFORMING TO ASTM C90	CONCRETE
F	1/4" X 1-3/4" ELCO OR ITW CONCRETE SCREW	STEEL
G	1/4" X 3-3/4" ELCO OR ITW CONCRETE SCREW	STEEL
H	1/4" X 2-3/4" ELCO OR ITW CONCRETE SCREW	STEEL
K	#10 PPH SELF-DRILLING SMS	STEEL
X	STEEL STUD Min. Thk .033" (ASTM A653 GRADE 33 Fy=33 Ksi Min, Fu=45 Ksi Min)	STEEL
1	FRAME HEAD*	PVC
2	#8 x 2-3/4" FH QUADREX WOOD SCREW	STEEL
3	WEATHERSTRIP (SCHLEGEL #HF-7522-270)	-
4	HEAD TRACK*	PVC
5	STILE & RAIL*	PVC
6	SETTING BLOCK	-
7	SILICONE (SIKA 552)	SILICONE
8	DURASEAL SPACER SYSTEM	-
9	SHIM	-
10	TANDEM WHEEL	STEEL
11	ROLLING RAIL	STEEL
12	SILL*	PVC
13	SILL DUST COVER*	PVC
14	SILL PLUG*	PVC
15	SILL WEATHERSEAL	-
17	LEFT CAP FOR SILL ADAPTER*	PVC
18	RIGHT CAP FOR SILL ADAPTER*	PVC
19	#8 X 5/8" PAN HEAD, SQUARE, SELF-DRILLING SCREW	STEEL
20	OUTSIDE SILL CLADDING	STEEL
22	INSECT STOP	-
23	SCREEN	-

* THE APPROVED WHITE RIGID PVC EXTERIOR EXTRUSIONS FOR WINDOWS ARE TO BE PRODUCED BY EXTRUDERS LICENSEES IN "AAMA CERTIFICATION PROGRAMS FOR RIGID PVC EXTRUSIONS".



24	#8 X 7/8" PAN HEAD, QUADREX, SCREW	STEEL
25	FIXED PANEL ANCHOR BLOCK*	PVC
26	ANCHOR STRAP	STEEL
27	SCREW CAP*	PVC
28	GLAZING BEAD*	PVC
29	FOAM PLUG	-
30	HEAD WEATHERSEAL	-
31	#8 X 1-1/4" PAN HEAD, QUADREX, SCREW	STEEL
32	SASH STOPPER	STEEL
33	WEATHERSTRIP	-
34	FRAME JAMB*	PVC
35	WEATHERSTRIP	-
39	HANDLE KIT	STEEL
40	OPERATING PANEL SIDE STILE*	PVC
42	KEEPER FOR SCREEN	-
43	#4 X 5/8" PAN HEAD QUADREX SCREW	STEEL
45	#10 X 1-3/4" PPH SCREW	STEEL
46	STAINLESS STEEL DOUBLE POINT MORTISE LOCK KIT	STEEL
47	SASH COVERING CAP*	PVC
48	LOCK PLUG*	PVC
50	STILE REINFORCEMENT	STEEL
51	#8 X 2" TRUSS HEAD QUADREX SCREW	STEEL
52	INTERLOCK	STEEL
53	STILE REINFORCEMENT	STEEL
54	Q-LAN WEATHERSTRIP (SCHLEGEL NO. QEZ 345)	-
55	WATER BAR	STEEL
56	#8 X 1" PPH SMS	SS



34 FRAME JAMB

October 11, 2017
 Documents Prepared By: Lyndon F. Schmidt
 P.E. No. 43409
 No. 43409
 L. SCHMIDT
 LICENSE
 STATE OF FLORIDA
 PROFESSIONAL ENGINEER

PRODUCT: EXTRUDED VINYL SLIDING PATIO DOORS
 PART OR ASSEMBLY: BILL OF MATERIALS, GLAZING DETAIL & COMPONENTS
 DATE: 12/19/11
 SCALE: N.T.S.
 DWG. BY: KV
 CHK. BY: LFS
 DRAWING NO.: FL-12323.23
 SHEET 5 of 5

© 2011 R.W. BUILDING CONSULTANTS INC.



RICK SCOTT, GOVERNOR

JONATHAN ZACHEM, SECRETARY



STATE OF FLORIDA

DEPARTMENT OF BUSINESS AND PROFESSIONAL REGULATION

CONSTRUCTION INDUSTRY LICENSING BOARD

THE RESIDENTIAL CONTRACTOR HEREIN IS CERTIFIED UNDER THE
PROVISIONS OF CHAPTER 489, FLORIDA STATUTES



LICENSE NUMBER: CRC1329083

EXPIRATION DATE: AUGUST 31, 2020

Always verify licenses online at MyFloridaLicense.com

Do not alter this document in any form.

This is your license. It is unlawful for anyone other than the licensee to use this document.



STATE OF FLORIDA
DEPARTMENT OF BUSINESS AND PROFESSIONAL REGULATION
CONSTRUCTION INDUSTRY LICENSING BOARD
 2601 BLAIR STONE ROAD
 TALLAHASSEE FL 32399-0783



Congratulations! With this license you become one of the nearly one million Floridians licensed by the Department of Business and Professional Regulation. Our professionals and businesses range from architects to yacht brokers, from boxers to barbeque restaurants, and they keep Florida's economy strong.

Every day we work to improve the way we do business in order to serve you better. For information about our services, please log onto www.myfloridalicense.com. There you can find more information about our divisions and the regulations that impact you, subscribe to department newsletters and learn more about the Department's initiatives.

Our mission at the Department is: License Efficiently, Regulate Fairly. We constantly strive to serve you better so that you can serve your customers. Thank you for doing business in Florida, and congratulations on your new license!



City Manager



Note: Total Amount Paid includes the \$45 Seminole County Business Tax

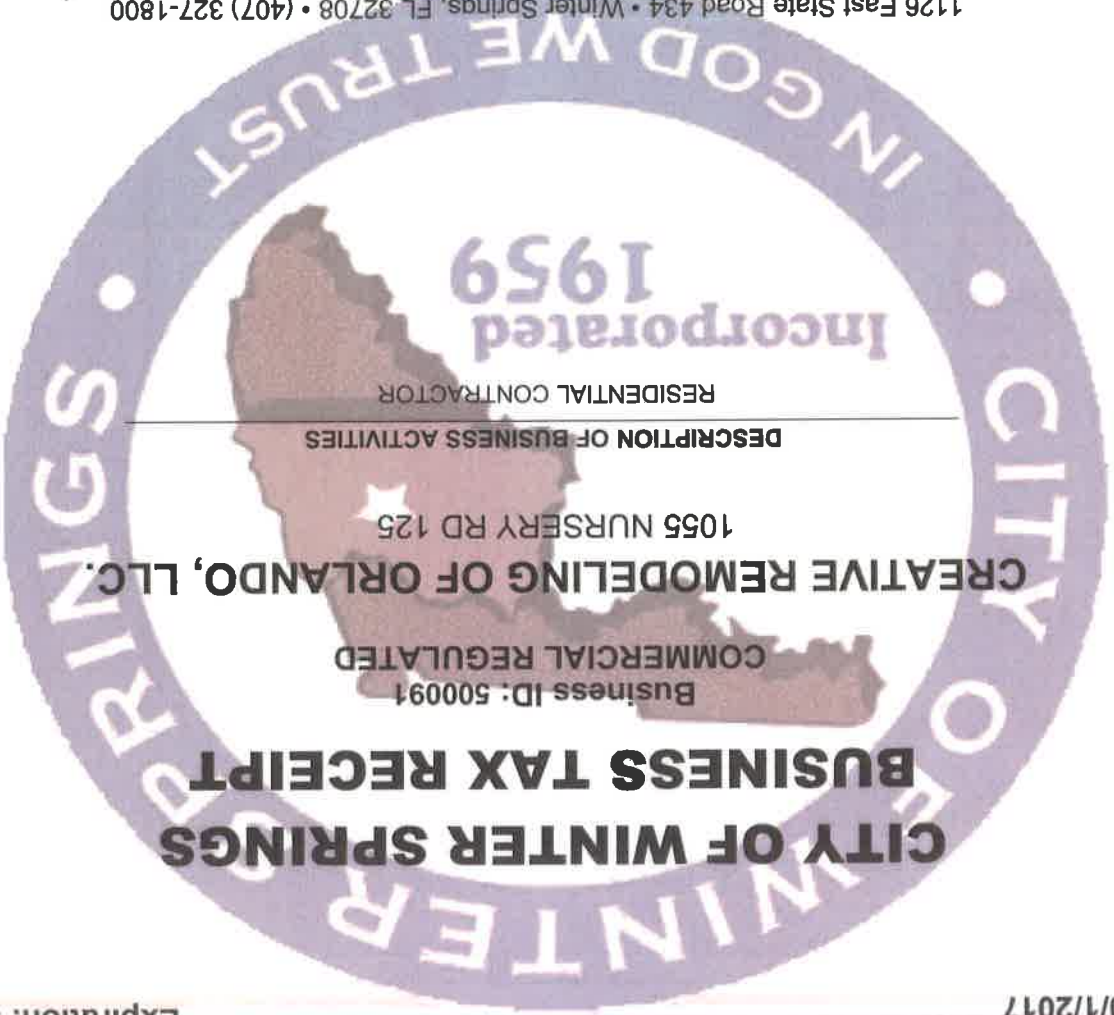
Total Amount Paid: \$145.00

Post the above Receipt in a Conspicuous Location within your Place of Business

PLEASE CUT ALONG THE DOTTED LINE TO DISPLAY RECEIPT IN BUSINESS

BUSINESS TAX RECEIPT INCLUDES WINTER SPRINGS & SEMINOLE COUNTY TAX

1126 East State Road 434 • Winter Springs, FL 32708 • (407) 327-1800
www.winterspringsfl.org



**CITY OF WINTER SPRINGS
 BUSINESS TAX RECEIPT**

Business ID: 500091
 COMMERCIAL REGULATED

CREATIVE REMODELING OF ORLANDO, LLC.
 1055 NURSERY RD 125

DESCRIPTION OF BUSINESS ACTIVITIES
 RESIDENTIAL CONTRACTOR

Incorporated
 1959

Effective: 10/1/2017

Expiration: 9/30/2018



CERTIFICATE OF LIABILITY INSURANCE

DATE (MM/DD/YYYY) 4/10/2018

THIS CERTIFICATE IS ISSUED AS A MATTER OF INFORMATION ONLY AND CONFERS NO RIGHTS UPON THE CERTIFICATE HOLDER. THIS CERTIFICATE DOES NOT AFFIRMATIVELY OR NEGATIVELY AMEND, EXTEND OR ALTER THE COVERAGE AFFORDED BY THE POLICIES BELOW. THIS CERTIFICATE OF INSURANCE DOES NOT CONSTITUTE A CONTRACT BETWEEN THE ISSUING INSURER(S), AUTHORIZED REPRESENTATIVE OR PRODUCER, AND THE CERTIFICATE HOLDER.

IMPORTANT: If the certificate holder is an ADDITIONAL INSURED, the policy(ies) must be endorsed. If SUBROGATION IS WAIVED, subject to the terms and conditions of the policy, certain policies may require an endorsement. A statement on this certificate does not confer rights to the certificate holder in lieu of such endorsement(s).

PRODUCER
 Blackadar Insurance Agency, Inc.
 1436 N Ronald Reagan Blvd
 Longwood FL 32750

INSURED
 Creative Remodeling of Orlando, LLC
 1055 Nursery Road
 Unit 125
 Winter Springs FL 32708

CONTACT
 NAME: Ella Nulph
 PHONE (A/C, No. Ext): 407-831-3832
 E-MAIL: ella@blackadar.com
 Address: ella@blackadar.com

INSURER(S) AFFORDING COVERAGE
 NAIC #
 INSURER A: Auto-Owners Insurance 18988
 INSURER B: Southern-Owners Insurance Co 10190
 INSURER C:
 INSURER D:
 INSURER E:
 INSURER F:

COVERAGES

CERTIFICATE NUMBER: 1021939694

REVISION NUMBER:

THIS IS TO CERTIFY THAT THE POLICIES OF INSURANCE LISTED BELOW HAVE BEEN ISSUED TO THE INSURED NAMED ABOVE FOR THE POLICY PERIOD INDICATED. NOTWITHSTANDING ANY REQUIREMENT, TERM OR CONDITION OF ANY CONTRACT OR OTHER DOCUMENT WITH RESPECT TO WHICH THIS CERTIFICATE MAY BE ISSUED OR MAY PERTAIN, THE INSURANCE AFFORDED BY THE POLICIES DESCRIBED HEREIN IS SUBJECT TO ALL THE TERMS, EXCLUSIONS AND CONDITIONS OF SUCH POLICIES. LIMITS SHOWN MAY HAVE BEEN REDUCED BY PAID CLAIMS.

INSR LTR	TYPE OF INSURANCE	ADDL SUBR INSR WVD	POLICY NUMBER	POLICY EFF (MM/DD/YYYY)	POLICY EXP (MM/DD/YYYY)	LIMITS
B	GENERAL LIABILITY		7209279	4/12/2018	4/12/2019	EACH OCCURRENCE \$ 1,000,000 DAMAGE TO RENTED PREMISES (ea occurrence) \$ 300,000 MED EXP (any one person) \$ 10,000 PERSONAL & ADV INJURY \$ 1,000,000 GENERAL AGGREGATE \$ 2,000,000 PRODUCTS - COMP/OP AGG \$ 2,000,000
A	AUTOMOBILE LIABILITY		4791428800	2/23/2018	2/23/2019	COMBINED SINGLE LIMIT (ea accident) \$ 300,000 BODILY INJURY (Per person) \$ BODILY INJURY (Per accident) \$ PROPERTY DAMAGE (Per accident) \$ EACH OCCURRENCE \$ AGGREGATE \$

INSURER	TYPE OF INSURANCE	ADDL SUBR INSR WVD	POLICY NUMBER	POLICY EFF (MM/DD/YYYY)	POLICY EXP (MM/DD/YYYY)	LIMITS
B	GENERAL LIABILITY		7209279	4/12/2018	4/12/2019	EACH OCCURRENCE \$ 1,000,000 DAMAGE TO RENTED PREMISES (ea occurrence) \$ 300,000 MED EXP (any one person) \$ 10,000 PERSONAL & ADV INJURY \$ 1,000,000 GENERAL AGGREGATE \$ 2,000,000 PRODUCTS - COMP/OP AGG \$ 2,000,000
A	AUTOMOBILE LIABILITY		4791428800	2/23/2018	2/23/2019	COMBINED SINGLE LIMIT (ea accident) \$ 300,000 BODILY INJURY (Per person) \$ BODILY INJURY (Per accident) \$ PROPERTY DAMAGE (Per accident) \$ EACH OCCURRENCE \$ AGGREGATE \$

INSURER	TYPE OF INSURANCE	ADDL SUBR INSR WVD	POLICY NUMBER	POLICY EFF (MM/DD/YYYY)	POLICY EXP (MM/DD/YYYY)	LIMITS
B	GENERAL LIABILITY		7209279	4/12/2018	4/12/2019	EACH OCCURRENCE \$ AGGREGATE \$
A	AUTOMOBILE LIABILITY		4791428800	2/23/2018	2/23/2019	COMBINED SINGLE LIMIT (ea accident) \$ 300,000 BODILY INJURY (Per person) \$ BODILY INJURY (Per accident) \$ PROPERTY DAMAGE (Per accident) \$ EACH OCCURRENCE \$ AGGREGATE \$

INSURER	TYPE OF INSURANCE	ADDL SUBR INSR WVD	POLICY NUMBER	POLICY EFF (MM/DD/YYYY)	POLICY EXP (MM/DD/YYYY)	LIMITS
B	GENERAL LIABILITY		7209279	4/12/2018	4/12/2019	EACH OCCURRENCE \$ AGGREGATE \$
A	AUTOMOBILE LIABILITY		4791428800	2/23/2018	2/23/2019	COMBINED SINGLE LIMIT (ea accident) \$ 300,000 BODILY INJURY (Per person) \$ BODILY INJURY (Per accident) \$ PROPERTY DAMAGE (Per accident) \$ EACH OCCURRENCE \$ AGGREGATE \$

INSURER	TYPE OF INSURANCE	ADDL SUBR INSR WVD	POLICY NUMBER	POLICY EFF (MM/DD/YYYY)	POLICY EXP (MM/DD/YYYY)	LIMITS
B	GENERAL LIABILITY		7209279	4/12/2018	4/12/2019	EACH OCCURRENCE \$ AGGREGATE \$
A	AUTOMOBILE LIABILITY		4791428800	2/23/2018	2/23/2019	COMBINED SINGLE LIMIT (ea accident) \$ 300,000 BODILY INJURY (Per person) \$ BODILY INJURY (Per accident) \$ PROPERTY DAMAGE (Per accident) \$ EACH OCCURRENCE \$ AGGREGATE \$

CERTIFICATE HOLDER

DESCRIPTION OF OPERATIONS / LOCATIONS / VEHICLES (Attach ACORD 101, Additional Remarks Schedule, if more space is required)

CITY OF BELLE ISLE
 1600 Nela Avenue
 Belle Isle FL 32809

AUTHORIZED REPRESENTATIVE
E.A.B.

SHOULD ANY OF THE ABOVE DESCRIBED POLICIES BE CANCELLED BEFORE THE EXPIRATION DATE THEREOF, NOTICE WILL BE DELIVERED IN ACCORDANCE WITH THE POLICY PROVISIONS.

(850) 487-1395

STATE OF FLORIDA
DEPARTMENT OF BUSINESS AND PROFESSIONAL REGULATION

CONSTRUCTION INDUSTRY LICENSING BOARD

2601 BLAIR STONE ROAD
TALLAHASSEE FL 32399-0783



MCGRATH, MARK PATRICK
CREATIVE REMODELING OF ORLANDO LLC
900 CAITLIN POINT
LONGWOOD FL 32750-8403

Congratulations! With this license you become one of the nearly one million Floridians licensed by the Department of Business and Professional Regulation. Our professionals and businesses range from architects to yacht brokers, from boxers to barbecue restaurants, and they keep Florida's economy strong.

Every day we work to improve the way we do business in order to serve you better. For information about our services, please log onto www.myfloridalicense.com. There you can find more information about our divisions and the regulations that impact you, subscribe to department newsletters and learn more about the Department's initiatives.

Our mission at the Department is: License Efficiently, Regulate Fairly. We constantly strive to serve you better so that you can serve your customers. Thank you for doing business in Florida, and congratulations on your new license!

STATE OF FLORIDA
DEPARTMENT OF BUSINESS AND PROFESSIONAL REGULATION



CRC1329083 ISSUED: 07/07/2016

CERTIFIED RESIDENTIAL CONTRACTOR

MCGRATH, MARK PATRICK
CREATIVE REMODELING OF ORLANDO LLC

IS CERTIFIED under the provisions of Ch. 489 F.S.
Expiration date: AUG 31, 2018
L1607070001202

DETACH HERE

RICK SCOTT, GOVERNOR


KEN LAWSON, SECRETARY

STATE OF FLORIDA
DEPARTMENT OF BUSINESS AND PROFESSIONAL REGULATION
CONSTRUCTION INDUSTRY LICENSING BOARD

LICENSE NUMBER	CRC1329083
The RESIDENTIAL CONTRACTOR	
Named below IS CERTIFIED	
Under the provisions of Chapter 489 F.S.	
Expiration date: AUG 31, 2018	



MCGRATH, MARK PATRICK
CREATIVE REMODELING OF ORLANDO LLC
900 CAITLIN POINT
LONGWOOD FL 32750-8403



ISSUED: 07/07/2016
DISPLAY AS REQUIRED BY LAW
SEQ # L1607070001202



STATE OF FLORIDA
 DEPARTMENT OF FINANCIAL SERVICES
 DIVISION OF WORKERS' COMPENSATION

JEFF ATWATER
 CHIEF FINANCIAL OFFICER

**** CERTIFICATE OF ELECTION TO BE EXEMPT FROM FLORIDA WORKERS' COMPENSATION LAW ****

CONSTRUCTION INDUSTRY EXEMPTION

This certifies that the individual listed below has elected to be exempt from Florida Workers' Compensation law.

EFFECTIVE DATE: 1/28/2017 **EXPIRATION DATE:** 1/28/2019

PERSON: MCGRATH MARK **P**

FEIN: 204060794

BUSINESS NAME AND ADDRESS:

CREATIVE REMODELING OF ORLANDO LLC

900 CAITLIN PT

LONGWOOD FL 32750

SCOPES OF BUSINESS OR TRADE:

LICENSED RESIDENTIAL

CONTRACTR

Pursuant to Chapter 440.05(14), F.S., an officer of a corporation who elects exemption from this chapter by filing a certificate of election under this section may not recover benefits or compensation under this chapter. Pursuant to Chapter 440.05(12), F.S., Certificates of election to be exempt... apply only within the scope of the business or trade listed on the notice of election to be exempt. Pursuant to Chapter 440.05(13), F.S., Notices of election to be exempt and certificates of election to be exempt shall be subject to revocation if, at any time after the filing of the notice or the issuance of the certificate, the person named on the notice or certificate no longer meets the requirements of this section for issuance of a certificate. The department shall revoke a

DFS-F2-DWC-252 CERTIFICATE OF ELECTION TO BE EXEMPT REVISED 08-13

QUESTIONS? (850)413-1609