



City of Belle Isle Job Site Card Window/Door PERMIT 2018-08-034

PERMIT MUST BE POSTED ON SITE - A permit expires in 6 months if approved inspections are not recorded /schedule within that time frame. **You are responsible for scheduling and keeping track of all inspections.**

Permit Number: 2018- 08-034

Issue Date: 8/14/2018

Site Address: 2524 Kissam Ct 32809

Parcel #: 18-23-30-6031-00-240

Class: Residential

Subdivision:

Description of Work: **8 Windows / Size for Size & 5 Doors / Size for Size**

Issued: BAXTER WINDOWS LLC

Business Phone: 407 930-1599

Name: BAXTER, DAVID G

Contractor License: CGC1522010

Payment Date & Method: 8 / 31 / 2018 Picked up by Audres De Valle
 Visa Master Card Amex Discover Check / Money Order # 2267

Schedule Inspections via Email at: BDscheduling@universalengineering.com

SCHEDULE INSPECTIONS BY 3:00 PM CUT OFF TIME

Inspection Results Will Be Sent Out the Following Business Day

"WARNING TO OWNER: YOUR FAILURE TO RECORD A NOTICE OF COMMENCEMENT MAY RESULT IN YOUR PAYING TWICE FOR IMPROVEMENTS TO YOUR PROPERTY. IF YOU INTEND TO OBTAIN FINANCING, CONSULT WITH YOUR LENDER OR AN ATTORNEY BEFORE RECORDING YOUR NOTICE OF COMMENCEMENT."

BUILDING	INSPECTOR	DATE	COMMENTS
900 In Progress			
910 Final			

Inspection requests are to be emailed to BDscheduling@UniversalEngineering.com; a confirmation email will be sent back to you upon scheduling. Next-Day Inspection requests must be made by 3:00 pm. Please include the following in your request: Permit #, project address, type of inspection, date of the requested inspection, a contact name & a contact phone number. AM or PM may be requested but cannot be guaranteed. Inspection results will be sent out the following business day. A permit expires in 6 months if approved inspections are not recorded /scheduled within that time frame. **You are responsible for scheduling and keeping track of all your inspections** –

Universal Engineering Sciences - 3532 Maggie Blvd., Orlando, FL 32811
Tel 407-581-8161 * Fax 407-581-0313 * www.universalengineering.com



City of Belle Isle

Universal Engineering Sciences 3532 Maggie Blvd, Orlando, FL 32811
Tel 407-581-8161 * Fax 407-581-0313 * www.universaleengineering.com

RECEIVED
IN PERSON
AUG 13 2018

APPLICATION FOR SIZE-FOR-SIZE WINDOW / DOOR PERMIT

WARNING TO OWNER: YOUR FAILURE TO RECORD A NOTICE OF COMMENCEMENT MAY RESULT IN YOUR PAYING TWICE FOR IMPROVEMENTS TO YOUR PROPERTY. A NOTICE OF COMMENCEMENT MUST BE RECORDED AND POSTED ON THE JOB SITE BEFORE THE FIRST INSPECTION. IF YOU INTEND TO OBTAIN FINANCING, CONSULT WITH YOUR LENDER OR AN ATTORNEY BEFORE RECORDING YOUR NOTICE OF COMMENCEMENT.

DATE OF APPLICATION: 7/3/18

PERMIT NUMBER 2018-08-034

PLEASE PRINT. The undersigned hereby applies for a permit to make installations as indicated below:

Project Address 2524 Kissam Ct, Orlando, FL 32829, Belle Isle, FL 32809 32812

Property Owner Adeel Mirza Phone 321-228-4348

Property Owner's Mailing Address 2524 Kissam Ct City Orlando

State FL Zip Code 32829 Parcel Id Number: 18-23-30-6031-00-240

REQUIRED! To obtain this information, please visit <http://www.ocpafl.org/Searches/ParcelSearch.aspx>

Type of Building: Residential Commercial Other

REQUIRED! Florida Product Approval Form – NOTE: installation instructions must be posted on-site before your first inspection!!

Please indicate the nature of work by completing the information below:

Number of Size-for-Size Windows: 8 Number of Size-for-Size Doors: 5 Job Valuation: 39,308.60

I hereby certify that the above is true and correct to the best of my knowledge and make Application for Permit as outlined above, and if same is granted I agree to conform to all Florida Building Code Regulations and City Ordinances regulating same and in accordance with plans submitted. The issuance of this permit does not grant permission to violate any applicable Town and/or State of Florida codes and/or ordinances. By signing below, I recognize Republic Services is by legal contract the sole authorized provider of garbage, recycling, yard waste, and commercial garbage and construction debris collection and disposal services with the city limits of the City. Contractors, homeowners and commercial businesses may contact Republic Services at 407-293-8000 to setup accounts for Commercial, Construction Roll Off, or other services needed. Rates are fixed by contract and are available at City Hall or from Republic Services. The City enforces the contract through its code enforcement office. Failure to comply will result in a stop work order.

BY SIGNING THIS APPLICATION, YOU ARE CERTIFYING THAT YOU ARE ACTING AS THE OWNER'S AGENT FOR THIS PERMIT:

LICENSE HOLDER SIGNATURE David G. Baxter LICENSE # CGC1522010

LICENSE HOLDER NAME David G. Baxter COMPANY NAME Baxter Windows and Doors

Street Address 102 Drennen Road Suite B11

City Orlando State FL Zip Code 32806 Phone Number 407-930-1599

Email Address andy@baxterwindows.com

Building Official: SM Date 8-14-18
Verified Contractor's Licenses & Insurance are on file J Date 8-13-2018
liability - certificate holder New Spring

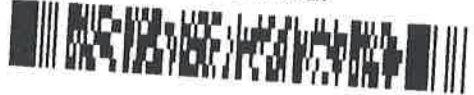
Zoning Fee	\$	<u>0</u>
Permit Fee	\$	<u>181.-</u>
Review Fee	\$	<u>90.50</u>
1% BCAIB Fee	\$	<u>2.72</u>
15% DCA Fee	\$	<u>4.07</u>
Total Permit Fee	\$	<u>278.29</u>

271.50
181.32
90.50
156
181.32
4x39
151K
25

PAID
8-31-2018
52 2267

Permit Number: 2018-08-034
 Folio/Parcel Identification Number: 18-23-30-6031-00-240
 Prepared by: Andrés Del Valle

DOCH 20180439622
 07/25/2018 01:04:26 PM Page 1 of 1
 Rec Fee: \$10.00
 Phil Diamond, Comptroller
 Orange County, FL
 IP - Ret To: DAVID G BAXTER



Return to: Barber Windows and Doors
102 Drennen Road Suite B11
Orlando, FL 32806

NOTICE OF COMMENCEMENT

State of Florida, County of Orange
 The undersigned hereby gives notice that improvement will be made to certain real property, and in accordance with Chapter 713, Florida Statutes, the following information is provided in this Notice of Commencement.

- Description of property** (legal description of the property, and street address if available)
Oak Island Second Replat 24/105 Lot 24 (Less Reg SE COR LOT 24 TH RUNN 35 FT W 122-73 (see property map attached))
- General description of improvement**
8 replacement windows & 5 replacement doors size for size.
- Owner information or Lessee information if the Lessee contracted for the improvement**
 Name Adeel Mirza
 Address 2524 Kissam Ct, Orlando, FL 32829
 Interest in Property owner
 Name and address of fee simple titleholder (if different from Owner listed above)
 Name _____
 Address N/A
- Contractor**
 Name David G. Baxter Telephone Number 407-930-1599
 Address 102 Drennen Road Suite B11 Orlando, FL 32806
- Surety** (if applicable, a copy of the payment bond is attached)
 Name _____ Telephone Number _____
 Address N/A Amount of Bond \$ _____
- Lender**
 Name _____ Telephone Number _____
 Address _____
- Persons within the State of Florida designated by Owner upon whom notices or other documents may be served as provided by §713.13(1)(a)7, Florida Statutes.**
 Name Nathan Meister Telephone Number 407-930-1599
 Address 102 Drennen Road Suite B11 Orlando, FL 32806
- In addition to himself or herself, Owner designates the following to receive a copy of the Lienor's Notice as provided in §713.13(1)(b), Florida Statutes.**
 Name Nathan Meister Telephone Number 407-930-1599
 Address 102 Drennen Road Suite B11 Orlando, FL 32806
- Expiration date of notice of commencement** (the expiration date may not be before the completion of construction and final payment to the contractor, but will be 1 year from the date of recording unless a different date is specified) 12/31/18



State of FLORIDA, County of ORANGE
 I hereby certify that this is a true copy of the document as reflected in the Official Records
 PHIL DIAMOND, COUNTY COMPTROLLER
 BY: [Signature]
 DATED: 7/25/18

WARNING TO OWNER: ANY PAYMENTS MADE BY THE OWNER AFTER THE EXPIRATION OF THE NOTICE OF COMMENCEMENT ARE CONSIDERED IMPROPER PAYMENTS UNDER CHAPTER 713, PART I, SECTION 713.13, FLORIDA STATUTES, AND CAN RESULT IN YOUR PAYING TWICE FOR IMPROVEMENTS TO YOUR PROPERTY. A NOTICE OF COMMENCEMENT MUST BE RECORDED AND POSTED ON THE JOB SITE BEFORE THE FIRST INSPECTION. IF YOU INTEND TO OBTAIN FINANCING, CONSULT WITH YOUR LENDER OR AN ATTORNEY BEFORE COMMENCING WORK OR RECORDING YOUR NOTICE OF COMMENCEMENT.

Under penalty of perjury, I declare that I have read the foregoing notice of commencement and that the facts stated in it are true to the best of my knowledge and belief.

[Signature] _____ owner
 Signature of Owner or Lessee, or Owner's or Lessee's Authorized Officer/Director/Partner/Manager Signatory's Title/Office

The foregoing instrument was acknowledged before me this 3 day of July 18 by Adeel Mirza
 as owner for Self
 Type of authority, e.g., officer, trustee, attorney in fact Name of party on behalf of whom instrument was executed

[Signature] _____
 Signature of Notary Public - State of Florida Print, type, or state's commission NATHAN MEISTER

Personally Known _____ OR Produced ID
 Type of ID Produced FL Driver's Lic.

 Form Revised: September 26, 2011



Product Approval
USER: Public User

[Product Approval Menu](#) > [Product or Application Search](#) > [Application List](#) > [Application Detail](#)

OFFICE OF THE
SECRETARY

FL #	FL228-R18														
Application Type	Revision														
Code Version	2017														
Application Status	Approved														
	*Approved by DBPR. Approvals by DBPR shall be reviewed and ratified by the POC and/or the Commission if necessary.														
Comments															
Archived	<input type="checkbox"/>														
Product Manufacturer	Simonton/Ply Gem Windows														
Address/Phone/Email	3948 Townsfaer Way, Suite 200 Suite 200 Columbus, OH 43219 (614) 532-3596 luanne.harris@plygem.com														
Authorized Signature	Luanne Harris luanne.harris@plygem.com														
Technical Representative	Luanne Harris														
Address/Phone/Email	1 Cochrane Ave Pennsboro, WV 26415 (614) 532-3596 luanne.harris@simonton.com														
Quality Assurance Representative	AAMA														
Address/Phone/Email	1827 Walden Office Square Suite 550 Schaumburg, IL 60173 (847) 303-5664 webmaster@aamanet.org														
Category	Windows														
Subcategory	Fixed														
Compliance Method	Certification Mark or Listing														
Certification Agency	American Architectural Manufacturers Association														
Validated By	American Architectural Manufacturers Association														
Referenced Standard and Year (of Standard)	<table border="0"> <thead> <tr> <th><u>Standard</u></th> <th><u>Year</u></th> </tr> </thead> <tbody> <tr> <td>AAMA 506</td> <td>2011</td> </tr> <tr> <td>AAMA/WDMA/CSA 101/I.S.2 A440</td> <td>2008</td> </tr> <tr> <td>AAMA/WDMA/CSA 101/I.S.2 A440</td> <td>2005</td> </tr> <tr> <td>ASTM E 1886</td> <td>2005</td> </tr> <tr> <td>ASTM E 1996</td> <td>2009</td> </tr> <tr> <td>ASTM E 1996</td> <td>2005</td> </tr> </tbody> </table>	<u>Standard</u>	<u>Year</u>	AAMA 506	2011	AAMA/WDMA/CSA 101/I.S.2 A440	2008	AAMA/WDMA/CSA 101/I.S.2 A440	2005	ASTM E 1886	2005	ASTM E 1996	2009	ASTM E 1996	2005
<u>Standard</u>	<u>Year</u>														
AAMA 506	2011														
AAMA/WDMA/CSA 101/I.S.2 A440	2008														
AAMA/WDMA/CSA 101/I.S.2 A440	2005														
ASTM E 1886	2005														
ASTM E 1996	2009														
ASTM E 1996	2005														
Equivalence of Product Standards Certified By	Florida Licensed Professional Engineer or Architect FL228_R18_Equiv_FL228_506_Equivalency.pdf														
Product Approval Method	Method 1 Option A														
Date Submitted	11/30/2017														
Date Validated	12/13/2017														
Date Pending FBC Approval															
Date Approved	12/16/2017														

Summary of Products

FL #	Model, Number or Name	Description
228.1	07-09, 07-10, 07-20 (Retrofit Installation)	StormBreaker Plus 300VL, PerfeXion Impact Vinyl Fixed (Picture) Window
Limits of Use Approved for use in HVHZ: No Approved for use outside HVHZ: Yes Impact Resistant: Yes Design Pressure: N/A Other: 37x84 (+/-50 PSF), 74x63 (+/-55 PSF) - Missile Impact Rating: D		Certification Agency Certificate FL228_R18_C_CAC_07-09_07-20_PW_Impact_74x63_FW_R55_(ext.).pdf FL228_R18_C_CAC_07-09_PW_Impact_37x84_R50.pdf FL228_R18_C_CAC_07-09-10-20_and_08-09-10-20_Waiver.pdf Quality Assurance Contract Expiration Date 06/23/2019 Installation Instructions FL228_R18_II_IN0366-R5.pdf Verified By: American Architectural Manufacturers Association Created by Independent Third Party; Evaluation Reports FL228_R18_AE_EvalReport-IN0366-R5-2017.pdf Created by Independent Third Party: Yes
228.2	07-20 (Nailing Fln Installation)	StormBreaker Plus 300VL, PerfeXion Impact Vinyl Fixed (Picture) Window
Limits of Use Approved for use in HVHZ: No Approved for use outside HVHZ: Yes Impact Resistant: Yes Design Pressure: +55/-55 Other: 74x63 - Missile Impact Rating: D		Certification Agency Certificate FL228_R18_C_CAC_07-09_07-20_PW_Impact_74x63_FW_R55_(ext.).pdf Quality Assurance Contract Expiration Date 11/01/2019 Installation Instructions FL228_R18_II_IN0517_SP_07-20_PW_2X.pdf Verified By: American Architectural Manufacturers Association Created by Independent Third Party; Evaluation Reports Created by Independent Third Party: Yes
228.3	42-19	ProFinish Brickmould 600 with SafePoint Vinyl Fixed (Picture) Window
Limits of Use Approved for use in HVHZ: No Approved for use outside HVHZ: Yes Impact Resistant: Yes Design Pressure: +50/-50 Other: 80x48 - Missile Impact Rating: C		Certification Agency Certificate FL228_R18_C_CAC_42-19_PW_Impact_Tempered_80x48_R50.pdf Quality Assurance Contract Expiration Date 09/08/2019 Installation Instructions FL228_R18_II_IN0551-R1.pdf Verified By: American Architectural Manufacturers Association Created by Independent Third Party; Evaluation Reports FL228_R18_AE_EvalReport-IN0551-R1-2017.pdf Created by Independent Third Party: Yes
228.4	42-19	ProFinish Brickmould 600 with SafePoint Vinyl Fixed (Picture) Window Twin
Limits of Use Approved for use in HVHZ: No Approved for use outside HVHZ: Yes Impact Resistant: Yes Design Pressure: +50/-50 Other: 73x74 - Missile Impact Rating: C		Certification Agency Certificate FL228_R18_C_CAC_42-19_PW_Twin_Impact_Tempered_73x74_R50_(ext.).pdf Quality Assurance Contract Expiration Date 03/06/2021 Installation Instructions FL228_R18_II_IN0552_42-19_Impact_PW_Twin_2X.pdf Verified By: American Architectural Manufacturers Association Created by Independent Third Party; Evaluation Reports Created by Independent Third Party: Yes

[Back](#) [Next](#)

Contact Us :: [2801 Blair Stone Road, Tallahassee FL 32392](#) Phone: 850-487-1824

The State of Florida is an AA/EEO employer. Copyright 2007-2013 State of Florida. :: [Privacy Statement](#) :: [Accessibility Statement](#) :: [Behind Statement](#)

Under Florida law, email addresses are public records. If you do not want your e-mail address released in response to a public-records request, do not send electronic mail to this entity. Instead, contact the office by phone or by traditional mail. If you have any questions, please contact 850.487.1395. *Pursuant to Section 455.275(1), Florida Statutes, effective October 1, 2012, licensees licensed under Chapter 455, F.S. must provide the Department with an email address if they have one. The emails provided may be used for official communication with the licensees. However email addresses are public record. If you do not wish to supply a personal address, please provide the Department with an email address which can be made available to the public. To determine if you are a licensee under Chapter 455, F.S., please click [here](#).

Product Approval Accepts:



Credit Card
Safe



A·L·I

(Validator / Operations Administrator)

**AAMA
CERTIFICATION PROGRAM****AUTHORIZATION FOR PRODUCT CERTIFICATION****Simonton Windows
1 Cochrane Dr.
Pennsboro, WV 26415****Attn: Tina Seese**

The product described below is hereby approved for listing in the next issue of the AAMA Certified Products Directory. The approval is based successful completion of tests, and the reporting to the Administrator of the results of tests, accompanied by related drawings, by an AAMA Accredited Laboratory.

1. The listing below will be added to the next published AAMA Certified Products Directory.

SPECIFICATIONS		RECORD OF PRODUCT TESTED		
AAMA/WDMA/CSA 101/I.S.2/A440-08 R-PG55-1880x1600 (74x63)-FW	AAMA 506			
COMPANY AND CODE	Missile Level: D Rating: +55/-55, 74x63 Wind Zone: 4	CPD NO.	SERIES MODEL & PRODUCT DESCRIPTION	MAXIMUM SIZE TESTED
Simonton Windows Code: SIM	Rating above conforms to the requirements of: ASTM E1886 and E1996	5793	07-09/07-20 STORMBREAKER PLUS PW (PVC)(O)(IG) (INS TEMP/PVB LAM GL) (ASTM)	FRAME 1880 mm x 1600 mm (6'2" x 5'3")

2. This Certification will expire **November 1, 2019 (extended from November 1, 2016 per AAMA 103-15)** and requires validation until then by continued listing in the current AAMA Certified Products Directory.

3. Structural Test & Report By:

Farabaugh Engineering & Testing, Inc.Report No: **T261-10**Date of Report: **November 3, 2010**

Missile Impact Test & Report By:

Architectural Testing, Inc.Report No: **A4999.01-501-47**Date of Report: **Jan. 5, 2011 (Revised April 4, 2011 and May 30, 2012)****Validated for Certification**
Associated Laboratories, Inc.**Authorized for Certification**
American Architectural Manufacturers AssociationDate: **May 20, 2016**

Cc: AAMA

JGS

ACP-14 (Rev. 1/11)

Evaluation Report IN0366-R5-2017
November 21, 2017

Product Description: Series 07-09 / 07-10 / 07-20 Vinyl Fixed Impact Window

Manufacturer: Simonton Windows, 1 Cochrane Ave., Pennsboro, WV

Statement of Compliance: This report evaluates the above-listed product per the requirements of FAC Product Approval Rule Chapter 61G20-3.005 (4). This product complies with the requirements of the 6th Edition (2017) Florida Building Code outside the High Velocity Hurricane Zone. The product testing standards performed are outlined below.

Technical Documentation:

- 1) This report, prepared by Lucas A. Turner, P.E., at 1239 Jabara Ave., North Port, FL
- 2) Installation drawing IN0366-R5, signed and sealed by Lucas A. Turner, P.E. on 9/10/14
- 3) Test Reports 99620 01-501-47-r0, A2066 01-501-47-r0, and A4999.01-501-47-r1 from Architectural Testing, Inc., Springdale, PA, and test report T261-10 from Farabaugh Engineering & Testing, Inc., McKeesport, PA, with testing performed: AAMA/WDMA/CSA 101/I.S.2/A440-05/08, ASTM E1886/1996-05
- 4) Supplemental Calculations to support IN0366-R5, signed and sealed by Lucas A. Turner, P.E.

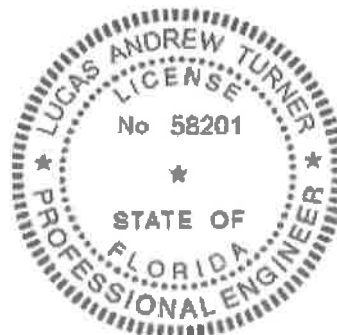
Installation: Units must be installed according to installation drawing IN0366-R5.

Limitations of Use: This product:

- May be used in the configurations, product sizes, and with glazing as indicated in IN0366-R5
- Is large missile impact resistant (missile level D, wind zone 4) and does not require the use of shutters in windborne debris regions
- May not be used in the High Velocity Hurricane Zone
- Requires Eastman (Solutia) Saflex HP PVB interlayer in laminated glass
- Requires white SimEx, Inc. PVC extrusions with current listing as an AAMA Certified Profile Licensee under AAMA 303

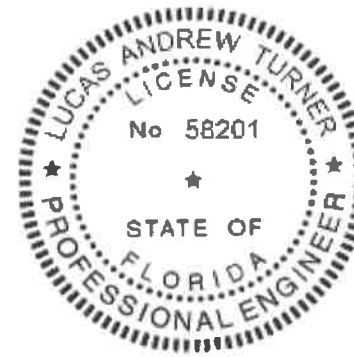
Certification of Independence: I do not have, nor do I intend to acquire, nor will I acquire, a financial interest in Simonton Windows or in any company manufacturing or distributing products for which this report is being issued. I do not have, nor do I intend to acquire, nor will I acquire, a financial interest in any other entity involved in the testing or approval process of this product.

Lucas
Turner
2017-11-21
17:56+19:00



22
11/21/2017
Lucas A. Turner, P.E.
FL PE #58201

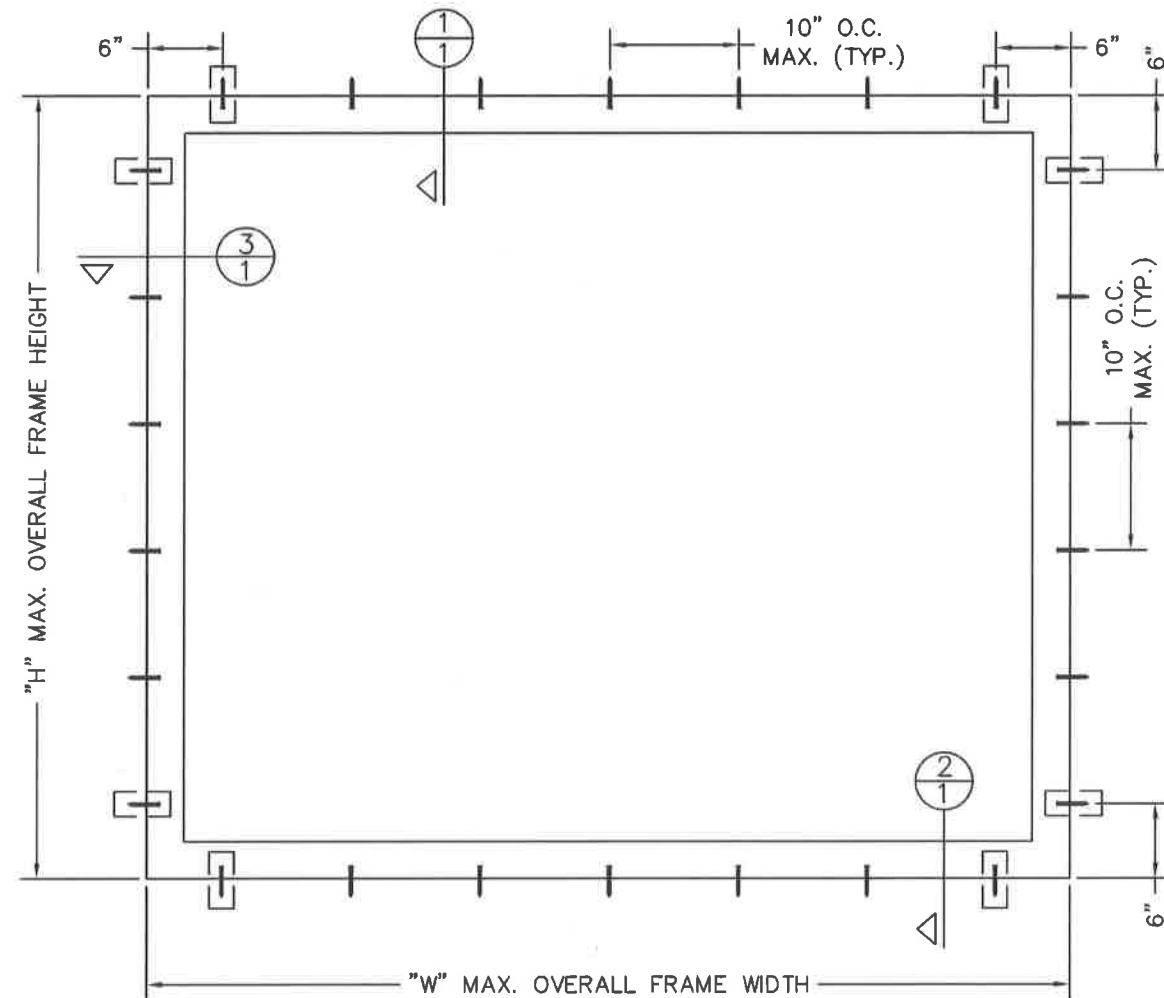
MODEL DESIGNATION: Simonton Series 07-09 / 07-10 / 07-20 Vinyl Fixed Impact Window
MAXIMUM OVERALL NOMINAL SIZE: See Size Chart
DESIGN PRESSURE RATING: See Size Chart
USABLE CONFIGURATIONS: 0
GENERAL DESCRIPTION: The head, sill, and side jambs are extruded PVC. The wall thickness through which the anchor screw penetrates is a minimum of 0.070".



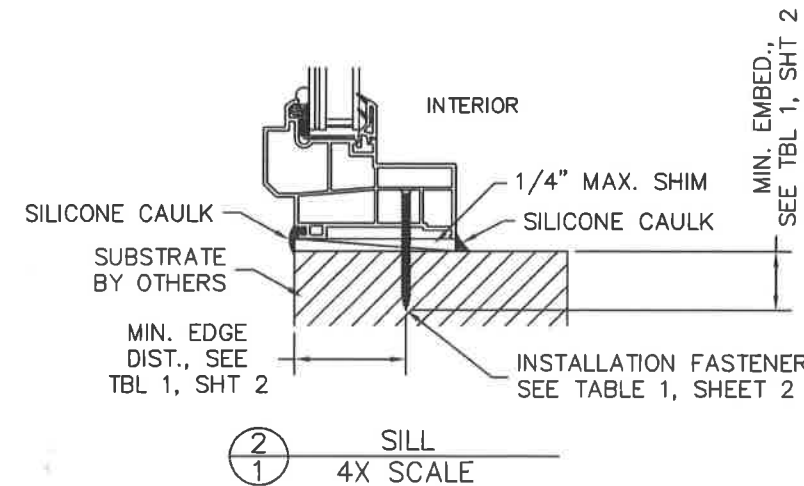
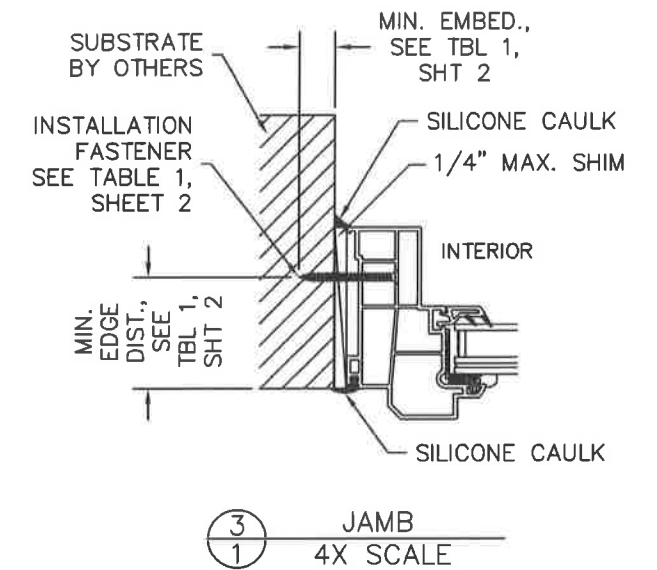
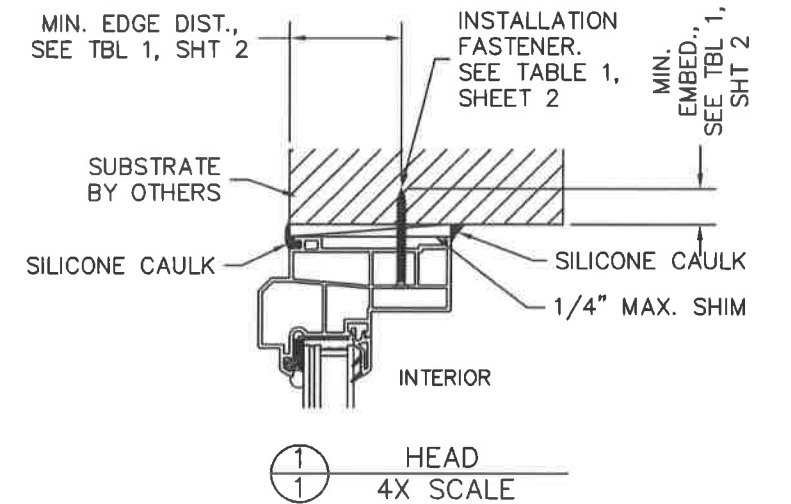
22
 9/10/2014
 LUCAS A. TURNER, P.E.
 FL PE # 58201
 TURNER ENGINEERING & CONSULTING, INC.
 (COA # 29779)
 1239 JABARA AVE.
 NORTH PORT, FL 34288
 PH. 941-380-1574

REV. #	REVISIONS:	REVISED BY:	DATE:
1	UPDATED NOTES, GENERAL DESCRIPTION, AND ANCHOR LOCATIONS.	T.D.D.	02/03/10
2	ADDED GLAZING DETAILS AND FLASHING NOTE.	T.D.D.	02/25/11
3	CORRECTED WINDOW SERIES PER TESTING.	T.D.D.	05/19/11
4	CORRECTED DESIGN PRESSURE FOR 74X63 UNIT.	T.D.D.	06/01/11
5	UPDATED FOR MULTIPLE SUBSTRATE TYPES	L.A.T.	9/7/14

Lucas A. Turner
 2014-09-10 13:42-04:00



☐ INSTALLATION HOLE PRE-DRILLED BY MANUFACTURER



SIZE CHART		
OVERALL SIZE		DP RATING
WIDTH "W"	HEIGHT "H"	
37"	84"	±50 PSF
74"	63"	±55 PSF

DISCLOSURE STATEMENT
 This document is the property of Simonton Windows, which retains all proprietary and other rights to its subject matter. This document is provided to the recipient on the expressed condition that it is not to be disclosed, reproduced in whole or part, nor used in conjunction with the design, manufacture or repair of goods for anyone other than Simonton Windows without its consent. This restriction does not limit the recipient's rights to utilize information contained in this document which is properly obtained from another source.

FILE: IN0366

MATERIAL:
 RMS FINISH: EXCEPT AS NOTED
 ALLOY & TEMPER:
 WEIGHT: VOLUME:
 SURFACE AREA: PERIMETER:
 FINISH TREATMENT:

Dimensional Tolerances
 Unless Otherwise Specified

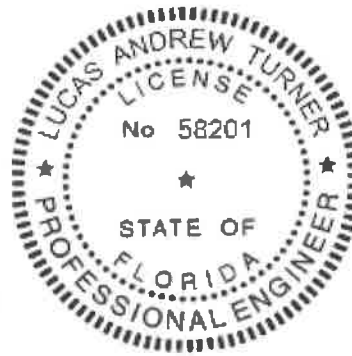
Decimals Angles
 .X ± .03
 .XX ± .01
 .XXX ± .005
 0° 30 min.

SIMONTON WINDOWS
 1 Cochrane Avenue
 Pennsboro, WV 26415

SIZE: DRAWING NO.: REV.:
 B IN0366 5
 DRAWN BY: DATE:
 T.D.D. 11/13/08
 CHECKED BY: DATE:
 APPR'D BY: DATE:
 SCALE: FIT SHEET: 1 of 2
 SERIES: 07-09 / 07-10 / 07-20 FIXED IMPACT WINDOW
 TITLE: ELEVATION, INSTALLATION DETAILS

NOTES:

1. This installation has been evaluated for use in locations adhering to the Texas & Florida Building Codes and where pressure requirements as determined by ASCE 7 Minimum Design Loads for Buildings and Other Structures do not exceed the design pressure ratings herein, for use outside the H.V.H.Z.
2. All interior and exterior perimeter surfaces of the window must be caulked.
3. Anchor type, size, spacing, and embedment shall be as specified in these drawings.
4. Anchor embedment to substrate shall be beyond wall dressing or stucco. For concrete/CMU openings embedment shall be beyond wood bucks, if used, and into substrate. Installations to solid concrete or grout-filled CMU may include but do not require 1x wood bucks between product and substrate. Installations to hollow CMU require the use of 1x bucks between product and substrate.
5. Wood or masonry openings, bucks, and buck fasteners, by others, shall be properly designed and installed to transfer wind loads to the structure. Substrates shall meet the minimum strength requirements as shown in Table 1, this sheet. Concrete or masonry substrates shall not be cracked.
6. The responsibility for selection of Simonton products to meet any applicable local laws, building codes, ordinances, or other safety requirements rests solely with the architect, building owner, or contractor.
7. Shims are required where gaps of greater than 1/16" exist between opening and frame. Max. shim stack is 1/4". Shims shall be load-bearing and capable of transferring loads to the substrate.
8. When used in areas requiring impact protection, this product DOES NOT REQUIRE the use of approved impact resistant shutters or other external protection.
9. Sealing and flashing by others should be applied using the ASTM E 2112 methodology appropriate for the opening into which the door is being installed. Overall water penetration resistance of the installed product is the responsibility of others.
10. Glazing shall comply with ASTM E 1300-04
11. For installation to metal substrates, anchors shall be long enough to be fully threaded through the metal thickness with an additional 3/16" min. of threads beyond.
12. A minimum center-to-center spacing of 1-1/4" shall be maintained between all Elco Ultracons in any direction.
13. All fasteners penetrating into pressure treated wood shall be capable of preventing corrosion due to reaction with pressure treatment chemicals. Any dissimilar materials that come into contact shall be protected to prevent reactions in accordance with code requirements.
14. A wind load duration factor Cd = 1.6 was used for the analysis of wood screws only.
15. Windows shall be constructed as specified in test reports 99620 01-501-47-r0, A2066 01-501-47-r0, and A4999.01-501-47-r1 by Architectural Testing, Inc., and T261-10, by Farabaugh Engineering & Testing, Inc.



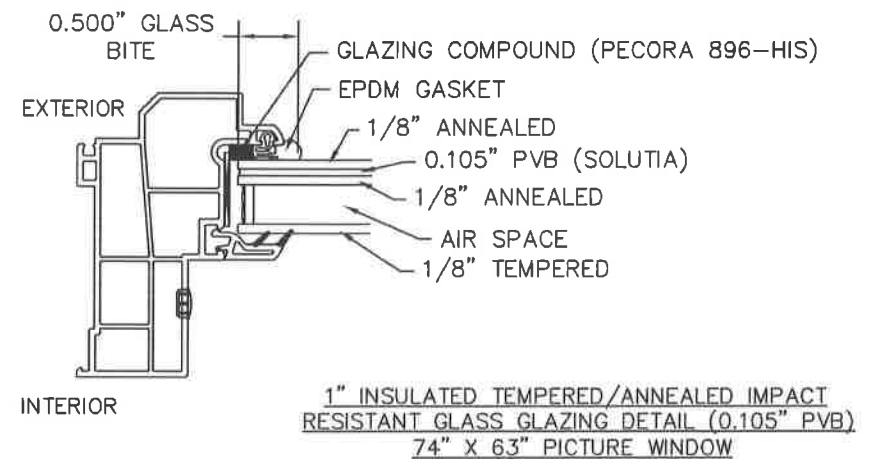
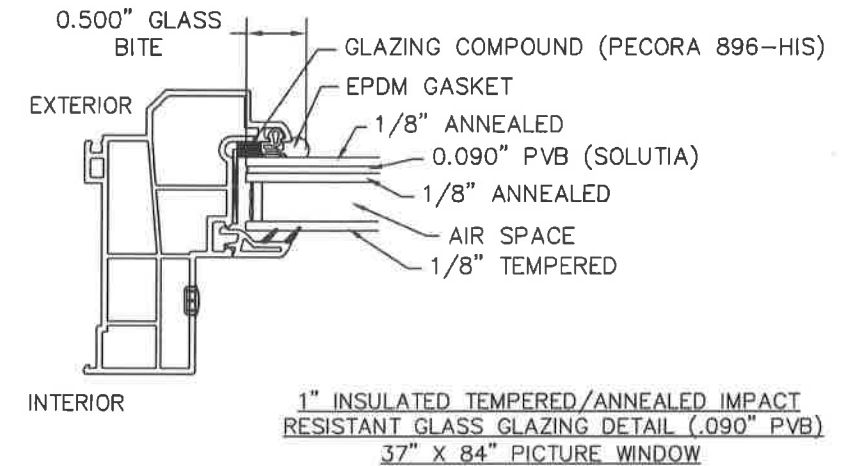
ZZ

9/10/2014
 LUCAS A. TURNER, P.E.
 FL PE # 58201
 TURNER ENGINEERING &
 CONSULTING, INC.
 (COA # 29779)
 1239 JABARA AVE.
 NORTH PORT, FL 34288
 PH. 941-380-1574

REV. #	REVISIONS:	REVISED BY:	DATE:
1	UPDATED NOTES, GENERAL DESCRIPTION, AND ANCHOR LOCATIONS.	T.D.D.	02/03/10
2	ADDED GLAZING DETAILS AND FLASHING NOTE.	T.D.D.	02/25/11
3	CORRECTED WINDOW SERIES PER TESTING.	T.D.D.	05/19/11
4	CORRECTED DESIGN PRESSURE FOR 74X63 UNIT.	T.D.D.	06/01/11
5	UPDATED FOR MULTIPLE SUBSTRATE TYPES	L.A.T.	9/7/14

TABLE 1: INSTALLATION FASTENERS TABLE

ID	SUBSTRATE TYPE	ANCHOR TYPE	MIN. EMBED	MIN. EDGE DIST.
A	CONCRETE (2.85 KSI MIN.)	3/16" ELCO ULTRACON	1"	1"
B	HOLLOW OR GROUT-FILLED CMU (ASTM C90)	3/16" ELCO ULTRACON	1-1/4"	2 1/2"
C	2X MIN. SOUTHERN PINE WOOD (G=0.55)	3/16" ELCO ULTRACON	1-3/8"	3/4"
D	2X MIN. SOUTHERN PINE WOOD (G=0.55)	#10 WOOD SCREW	1-3/8"	3/4"
E	16 GAUGE (0.060") MIN. STEEL STUD, 33KSI YIELD MIN.	#10-16 ITW TEKS SELF-DRILLING SCREW	SEE NOTE 11	1/2"
F	1/8" ALUM. 6063-T5 MIN. OR 1/8" STEEL 36 KSI MIN.	#10 GRADE 5 SELF-TAPPING/DRILLING SCREW	SEE NOTE 11	1/2"



<p style="text-align: center;">DISCLOSURE STATEMENT</p> <p>This document is the property of Simonton Windows, which retains all proprietary and other rights to its subject matter. This document is provided to the recipient on the expressed condition that it is not to be disclosed, reproduced in whole or part, nor used in conjunction with the design, manufacture or repair of goods for anyone other than Simonton Windows without its consent. This restriction does not limit the recipient's rights to utilize information contained in this document which is properly obtained from another source.</p> <p>FILE: IN0366</p>	MATERIAL: RMS FINISH: EXCEPT AS NOTED ALLOY & TEMPER: WEIGHT: SURFACE AREA: FINISH TREATMENT:	Dimensional Tolerances Unless Otherwise Specified Decimals Angles .X ± .03 .XX ± .01 .XXX ± .005 0° 30 min.	 1 Cochrane Avenue Pennsboro, WV 26415 SCALE: FIT SHEET: 2 of 2 SERIES: 07-09 / 07-10 / 07-20 FIXED IMPACT WINDOW TITLE: NOTES & GLAZING DETAILS	SIZE: DRAWING NO.: B IN0366 REV: 5 DRAWN BY: T.D.D. DATE: 11/13/08 CHECKED BY: DATE: APPRV'D BY: DATE:
--	---	--	--	--

Evaluation Report RM0015Br7

October 3, 2017

Product Description: Extruded Vinyl Mullions with Aluminum Reinforcement

Manufacturer: Simonton Windows, 1 Cochrane Ave., Pennsboro, WV

Statement of Compliance: This report evaluates the above-listed product per the requirements of FAC Product Approval Rule Chapter 61G20-3.005 (4). This product complies with the requirements of the 6th Edition (2017) Florida Building Code outside the High Velocity Hurricane Zone. The product testing standards performed are outlined below.

Technical Documentation:

- 1) This report, prepared by Lucas A. Turner, P.E., at 1239 Jabara Ave., North Port, FL
- 2) Installation drawing RM0015Br7, signed and sealed by Lucas A. Turner, P.E.
- 3) Test Reports 83716.01-501-18 from Architectural Testing Inc., Springdale, PA
 - a. Testing Performed: TAS 202 1994
- 4) Supplemental Calculations to support RM0015Br7, signed and sealed by Lucas A. Turner, P.E.

Installation: Units must be installed according to installation drawing RM0015Br7.

Limitations of Use: This product:

- Consists of the Vinyl Cover and 6063-T6 Aluminum Reinforcement combinations and anchorage as shown in RM0015Br7. Cover and reinf. pairings are as follows: cover VPI-573 with reinf. CM0146, cover VPI-560, VPI-354, or VPI-354A with reinf. 16991, cover V346A with reinf. 16990, and cover VPI-436 with reinf. 20634
- May be used to mull Simonton products up to the sizes indicated in RM0015Br7.
- Achieves design pressures shown in RM0015Br7 for the mullions; the lower of the mullion design pressure or applicable design pressures of the mullied windows shall prevail.
- Is non-impact and requires the use of shutters in windborne debris regions.
- May not be used in the High Velocity Hurricane Zone
- Requires white Sim Ex PVC extrusions as indicated in RM0015Br7.

Certification of Independence: I do not have, nor do I intend to acquire, nor will I acquire, a financial interest in Simonton Windows or in any company manufacturing or distributing products for which this report is being issued. I do not have, nor do I intend to acquire, nor will I acquire, a financial interest in any other entity involved in the testing or approval process of this product.

Lucas
Turner
2017-10-18
11:17+20:00



LT
10/3/2017
Lucas A. Turner, P.E.
FL PE #58201



[BCIS Home](#) |
 [Log In](#) |
 [User Registration](#) |
 [Hot Topics](#) |
 [Submit Surcharge](#) |
 [Stats & Facts](#) |
 [Publications](#) |
 [Contact Us](#) |
 [BCIS Site Map](#) |
 [Links](#) |
 [Search](#)



Product Approval
USER: Public User

[Product Approval Menu](#) >
 [Product or Application Search](#) >
 [Application List](#) >
 [Application Detail](#)



FL #	FL14787-R3
Application Type	Revision
Code Version	2017
Application Status	Approved
Comments	Archived
Product Manufacturer Address/Phone/Email	Simonton/Ply Gem Windows 3948 Townsfair Way, Suite 200 Suite 200 Columbus, OH 43219 (614) 532-3596 luanne.harris@plygem.com
Authorized Signature	Luanne Harris luanne.harris@plygem.com
Technical Representative Address/Phone/Email	Luanne Harris 3948 Townsfair Way Suite 200 Columbus, OH 43219 (614) 532-3596 luanne.harris@simonton.com
Quality Assurance Representative Address/Phone/Email	AAMA 1827 Walden Office Square Suite 550 Schaumburg, IL 60173 (847) 303-5664 webmaster@aamanet.org
Category	Windows
Subcategory	Mullions
Compliance Method	Evaluation Report from a Florida Registered Architect or a Licensed Florida Professional Engineer <input type="checkbox"/> Evaluation Report - Hardcopy Received
Florida Engineer or Architect Name who developed the Evaluation Report	Lucas A. Turner
Florida License	PE-58201
Quality Assurance Entity	Architectural Testing, Inc., an Intertek Company
Quality Assurance Contract Expiration Date	12/31/2020
Validated By	Scott Wolters, PE <input checked="" type="checkbox"/> Validation Checklist - Hardcopy Received
Certificate of Independence	FL14787_R3_COI_EvalReport-RM0015BrZ.pdf
Referenced Standard and Year (of Standard)	
Equivalence of Product Standards Certified By	
Sections from the Code	1709.8
Product Approval Method	Method 2 Option B
Date Submitted	10/12/2017
Date Validated	10/18/2017
Date Pending FBC Approval	10/20/2017
Date Approved	12/12/2017

Summary of Products

FL #	Model, Number or Name	Description
14787.1	Reinforced Stand Alone Mullions Non-Impact	Extruded Vinyl Mullions with Aluminum Reinforcement
Limits of Use Approved for use in HVHZ: No Approved for use outside HVHZ: Yes Impact Resistant: No Design Pressure: N/A Other: Design pressure ratings vary by unit and mullion size. See installation drawings for applicable design pressure rating.		Installation Instructions FL14787_R3_II_RM0015BrZ.pdf Verified By: Lucas A. Turner PE #58201 Created by Independent Third Party: Yes Evaluation Reports FL14787_R3_AE_EvalReport-RM0015BrZ.pdf Created by Independent Third Party: Yes

SIMONTON
WINDOWS
1 COCHRANE AVE. PENNSBORO, WV 26415
PH. 800-426-2249

EXTRUDED NON-IMPACT VINYL MULLIONS
WITH ALUMINUM REINFORCEMENT
ALL NON-IMPACT WINDOW SERIES

REVISIONS			
REV.	DESCRIPTION	DATE	BY
3	Revised per 2007 Florida Building Code, Added Sheet 8.	04/15/2011	JRM
4	Revised per 2010 Florida Building Code, updated general notes shf.1	01/20/2012	CAP
5	Updated DP ratings chart and added new mullion covers.	06/20/2012	T.D.D.
6	Revised per 5th Ed. (2014) FBC	04/25/2015	LAT
7	Updated Note 1, Sheet 1	10/03/2017	LMH

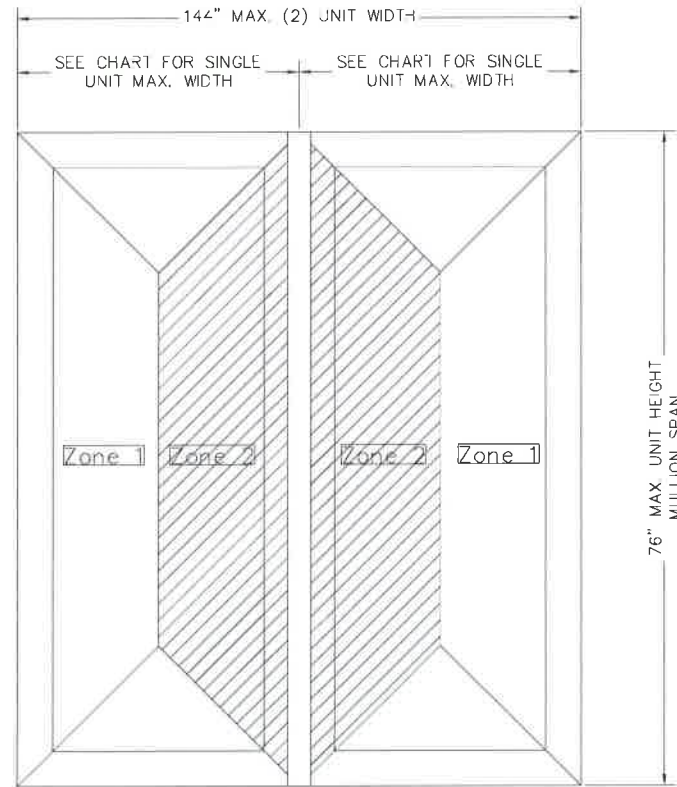


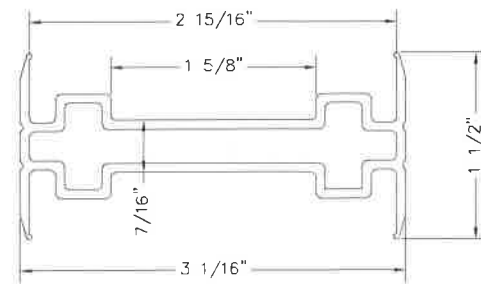
TABLE C - MAXIMUM DESIGN PRESSURES (PSF)
MULLION #16990

		Individual Unit Width												
		24	28	32	36	40	44	48	52	56	60	64	68	72
Mullion Length	40	75	75	75	75	75	75	75	75	75	75	75	75	75
	44	75	75	75	75	75	75	75	75	75	75	75	75	75
	48	75	75	75	75	75	75	75	75	75	75	75	75	75
	52	75	75	75	75	75	75	70	70	70	70	70	70	70
	56	75	75	70	65	60	60	55	55	55	55	55	55	55
	60	70	60	55	50	50	45	45	40	40	40	40	40	40
	64	60	50	45	40	40	35	35	35	30	30	30	30	30
	68	45	40	35	35	30	30	25	25	25	25	25	25	25
	72	40	35	30	25	25	25	20	20	20	20	20	20	20
	76	35	30	25	20	20	20	20	15	15	15	15	15	15

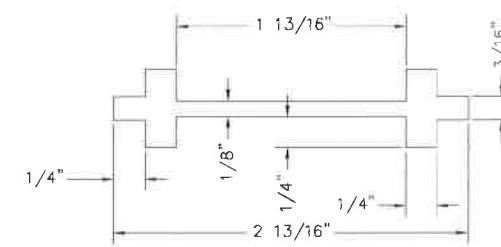
MAXIMUM SINGLE WINDOW WIDTH

WINDOW TYPE	WINDOW WIDTH
SINGLE HUNG	52"
DOUBLE HUNG	56"
HORIZONTAL SLIDER	72"
CASEMENT	36"
FIXED	96"

MULLION TRIBUTARY WIDTH = SUM
OF ZONE 2 WINDOW WIDTHS



MEDIUM H-MULLION VINYL COVER #V346A
ALL NEW CONSTRUCTION
EXTRUDED VINYL .071" MIN.



MEDIUM MULL REINFORCEMENT #16990
ALUMINUM 6063-T6



SEE NOTES SHEETS 6, 7, AND 8 FOR REQUIRED ANCHORAGE INFORMATION.

 10/3/2017 LUCAS A. TURNER, P.E. FL PE #58201 TURNER ENGINEERING & CONSULTING, INC. FBPE C.O.A. #22779 PH. 341-380-1574 12000 AMARA AVE. NORTH PORT, FL 34208	SCALE: 0.75:1 SHEET 4 of 8	DRAWING NUMBER: RM001581 REV: 7 DRAWN BY: RTW DATE: 3-20-08 CHECKED BY: TDD DATE: 12/18/08 APPROVED BY: CAP DATE: 01/20/12
	SIMONTON WINDOWS	SERIES: ALL MULL PRODUCTS TITLE: REINFORCED VINYL MULLIONS

SIMONTON
WINDOWS
1 COCHRANE AVE. PENNSBORO, WV 26415
PH. 800-426-2249

EXTRUDED NON-IMPACT VINYL MULLIONS
WITH ALUMINUM REINFORCEMENT
ALL NON-IMPACT WINDOW SERIES

REVISIONS			
REV.	DESCRIPTION	DATE	BY
3	Revised per 2007 Florida Building Code, Added Sheet 8.	04/15/2011	JRM
4	Revised per 2010 Florida Building Code, updated general notes sht. 1.	01/20/2012	CAP
5	Updated DP ratings chart and added new mullion covers.	06/20/2012	T.D.D.
6	Revised per 5th Ed. (2014) FBC	04/25/2015	LAT
7	Updated Note 1, Sheet 1	10/03/2017	LMH

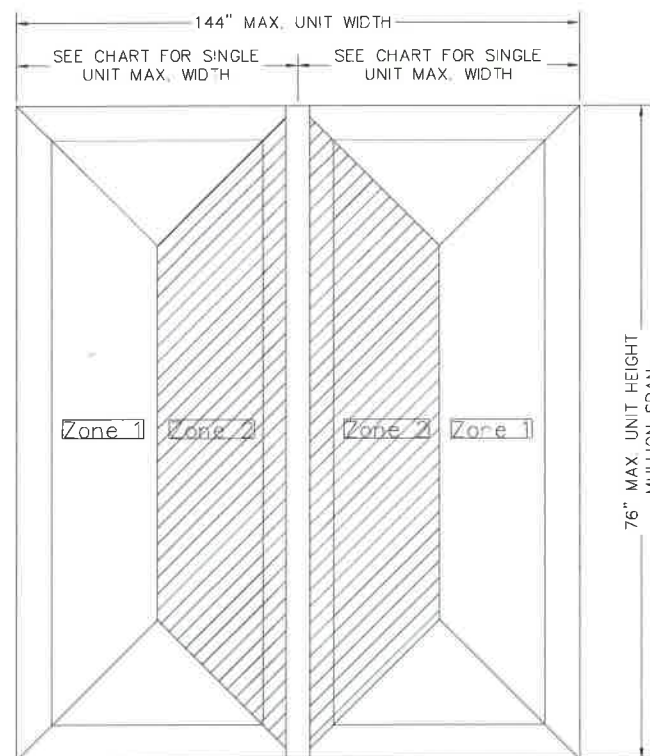


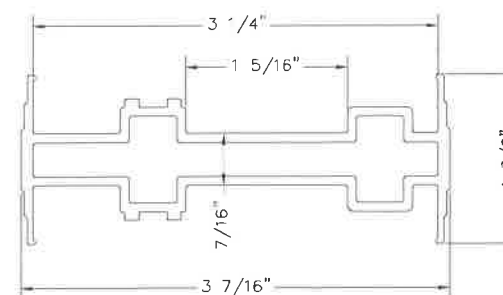
TABLE D - MAXIMUM DESIGN PRESSURES (PSF)
MULLION # 20634

Mullion Length	Individual Unit Width												
	24	28	32	36	40	44	48	52	56	60	64	68	72
40	75	75	75	75	75	75	75	75	75	75	75	75	75
44	75	75	75	75	75	75	75	75	75	75	75	75	75
48	75	75	75	75	75	75	75	75	75	75	75	75	75
52	75	75	75	75	75	75	75	75	75	75	75	75	75
56	75	75	75	70	65	60	60	60	60	60	60	60	60
60	75	65	60	55	50	50	45	45	45	45	45	45	45
64	60	55	50	45	40	40	35	35	35	35	35	35	35
68	50	45	40	35	30	30	30	25	25	25	25	25	25
72	40	35	30	30	25	25	25	20	20	20	20	20	20
76	35	30	25	25	20	20	20	20	15	15	15	15	15

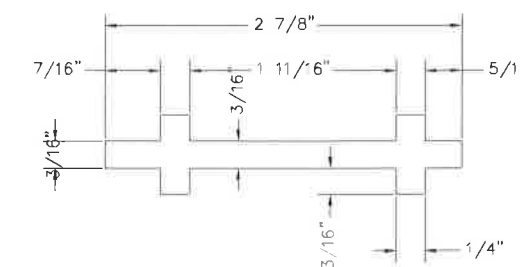
MAXIMUM SINGLE WINDOW WIDTH

WINDOW TYPE	WINDOW WIDTH
DOUBLE HUNG	56"
HORIZONTAL SLIDER	72"
CASEMENT	36"
FIXED	96"

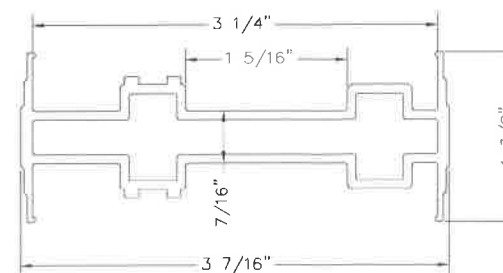
MULLION TRIBUTARY WIDTH = SUM
OF ZONE 2 WINDOW WIDTHS



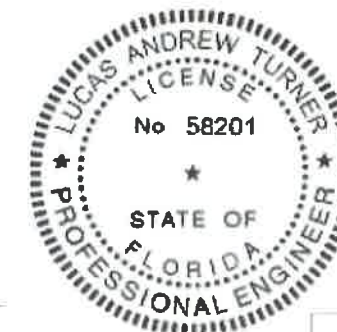
MEDIUM H-MULLION VINYL COVER #VPI-436
FOR ANY RETROFIT HOOKED FRAME
EXTRUDED VINYL .070" MIN.



MEDIUM MULL REINFORCEMENT #20634
ALUMINUM 6063-T6



MEDIUM H-MULLION VINYL COVER #VPI-436
FOR ANY RETROFIT HOOKED FRAME
EXTRUDED VINYL .070" MIN.



SEE NOTES SHEETS 6, 7, AND 8 FOR REQUIRED ANCHORAGE INFORMATION.

27

10/3/2017

LUCAS A. TURNER, P.E. FL PE #58201
TURNER ENGINEERING & CONSULTING, INC.
FBPE C.O.A. #29779 Ph. 941-380-1574
1239 JABARA AVE. NORTH PORT, FL 34288

SIMONTON
WINDOWS

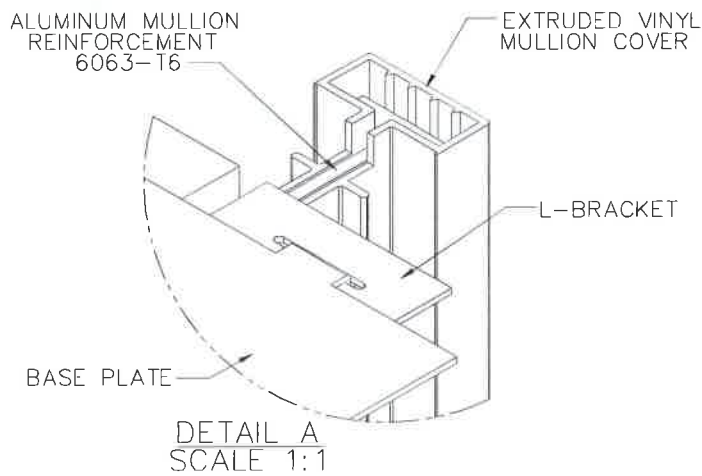
SCALE: C 75:1 SHEET 5 of 8

SERIES: ALL MULLION PRODUCTS
TITLE: REINFORCED VINYL MULLIONS

DATE: 3-20-08	REV: 7
DATE: 12/18/08	REV: 7
DATE: 01/20/12	REV: 7

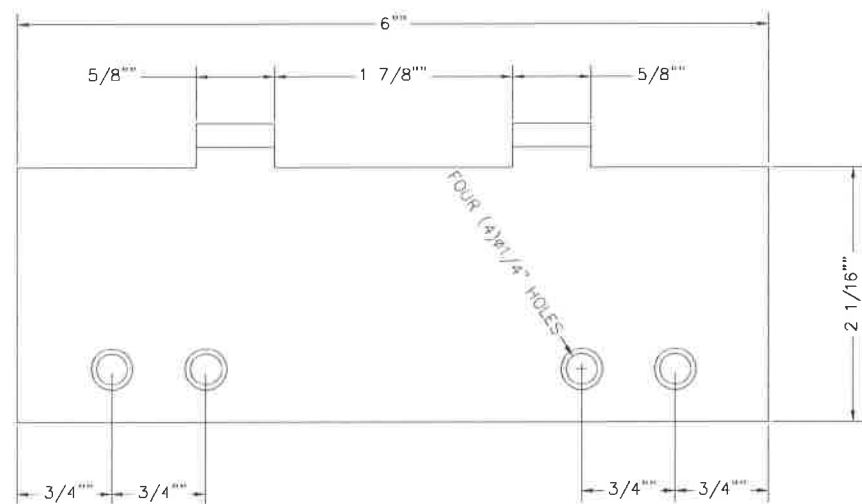
SIMONTON
WINDOWS
1 COCHRANE AVE. PENNSBORO, WV 26415
PH. 800-426-2249

EXTRUDED NON-IMPACT VINYL MULLIONS
WITH ALUMINUM REINFORCEMENT
ALL NON-IMPACT WINDOW SERIES

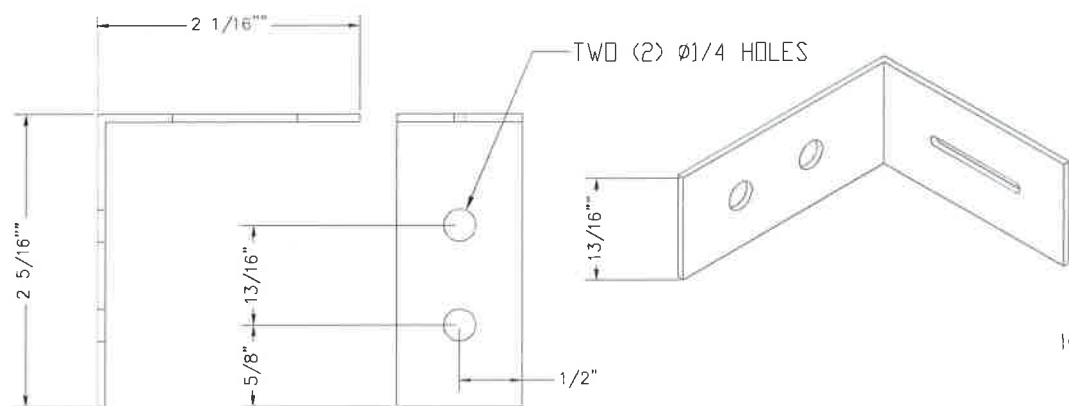


DETAIL A
SCALE 1:1

SEE MANUFACTURER'S INSTALLATION INSTRUCTIONS FOR ATTACHING REINFORCED MULLIONS TO WINDOW UNITS. TYPICALLY, USE SELF-TAPPING SCREW OF SUFFICIENT LENGTH TO FULLY ENGAGE THREADS THROUGH THE ALUMINUM REINF., AT THE ANCHOR SIZE AND SPACING INDICATED IN THE APPLICABLE WINDOW PRODUCT APPROVAL FOR ATTACHMENT TO WOOD SUBSTRATE.



REINFORCEMENT BASE PLATE DETAIL
.060" MIN. STAINLESS STEEL
ANSI 302/304

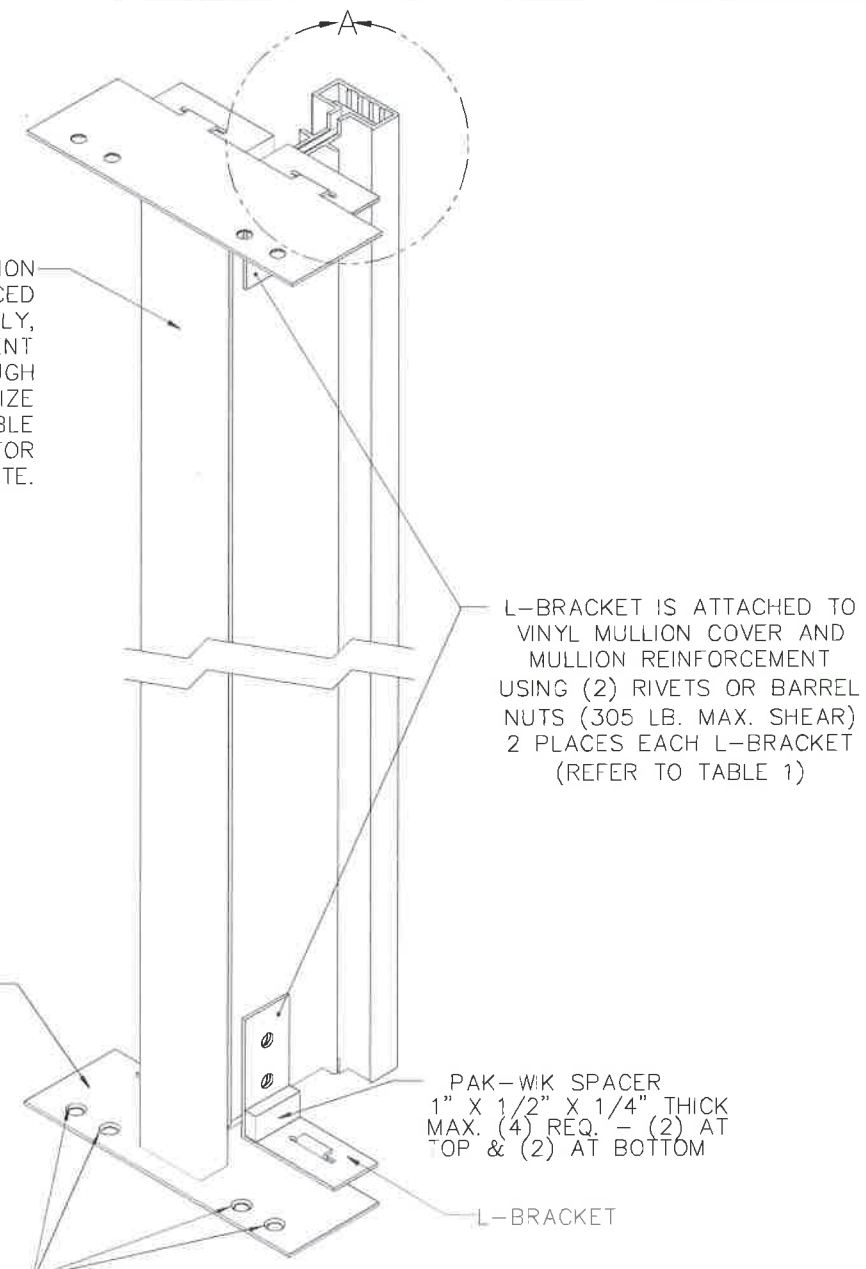


REINFORCEMENT L-BRACKET
0.076" MIN. STAINLESS STEEL
ANSI 302/304



SEE MANUFACTURER'S ATTACHMENT INSTRUCTIONS FOR ATTACHING REINFORCED MULLIONS TO WINDOW UNITS

REVISIONS			
REV.	DESCRIPTION	DATE	BY
3	Revised per 2007 Florida Building Code, Added Sheet 8.	04/15/2011	JRM
4	Revised per 2010 Florida Building Code, updated general notes shf.1	01/20/2012	CAP
5	Updated DP ratings chart and added new mullion covers.	06/20/2012	T.D.D.
6	Revised per 5th Ed. (2014) FBC	04/25/2015	LAT
7	Updated Note 1, Sheet 1	10/03/2017	LMH



ASSEMBLED MULLION ATTACHMENT VIEW

TABLE 1 - MULLION ATTACHING HARDWARE

RIVET	.25 D/A. STEEL RIVET WITH A GRIP LENGTH OF .50 MAX.
BARREL NUT	#10-24 OR #10-32 STAINLESS STEEL BARREL NUT. .250 O.D. X .25" LG WITH .125 MIN ENGAGEMENT

- NOTES:
- WOOD FRAME: USE (4) #10 X 1 3/4" WOOD SCREWS AT THE HEAD AND SILL THROUGH BASE PLATES, WITH 1-1/2" MINIMUM EMBEDMENT INTO WOOD FOR MULLION ATTACHMENT. SEE SHEET 7 FOR DETAILS.
 - MASONRY/CONCRETE: USE (2) ITW TAPCON OR ELCO ULTRACON ANCHORS AT HEAD AND SILL THROUGH BASE PLATES. SEE SHEET 8 FOR DETAILS.
 - TWO (2) RIVETS OR BARREL NUTS ARE REQUIRED TO ATTACH L-BRACKETS TO ALUMINUM MULLION. SEE TABLE 1 (THIS SHEET).

72

10/3/2017

LUCAS A. TURNER, P.E. FL PE #58201
TURNER ENGINEERING & CONSULTING, INC.
1239 JABARA AVE. NORTH PORT, FL 34288

SCALE: 0.75:1 SHEET: 6 of 8

SIMONTON WINDOWS

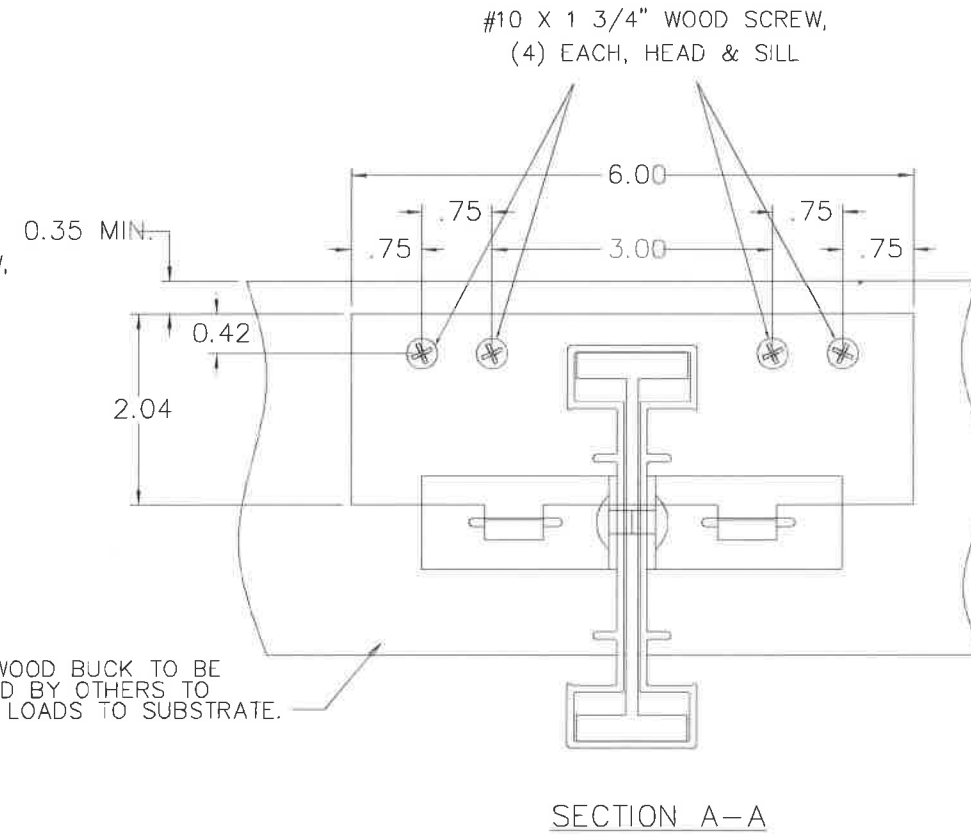
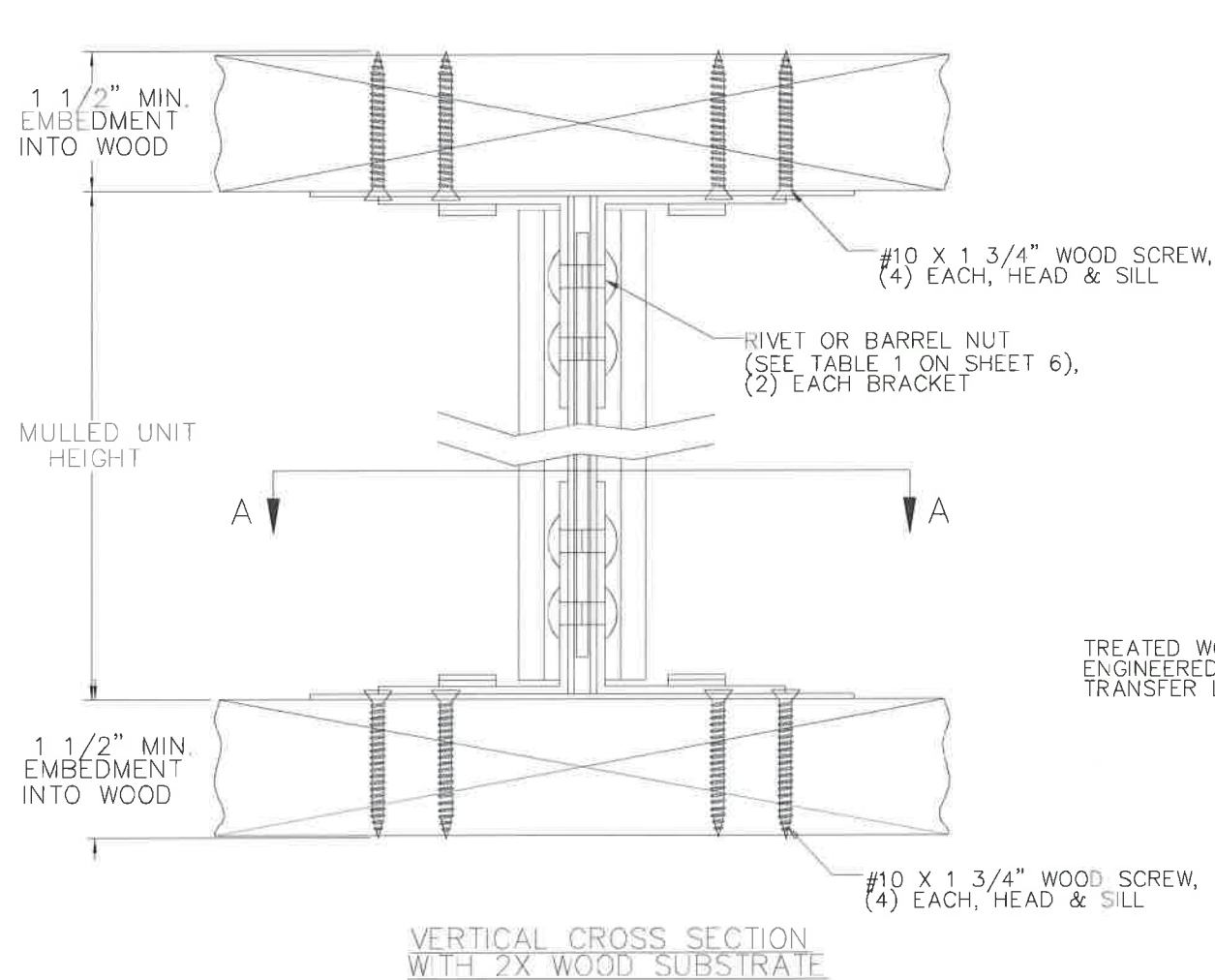
DRAWN BY: RTW DATE: 3-20-08
CHECKED BY: TDD DATE: 12/18/08
APPROVED BY: CAP DATE: 01/20/12

SERIES: ALL MULLION PRODUCTS
TITLE: REINFORCED VINYL MULLIONS

SIMONTON
 WINDOWS
 1 COCHRANE AVE. PENNSBORO, WV 26415
 PH. 800-426-2249

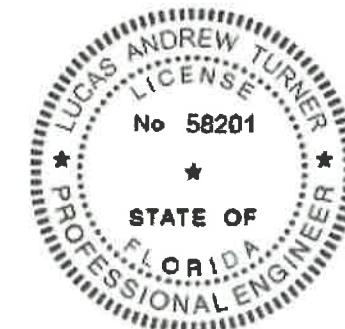
EXTRUDED NON-IMPACT VINYL MULLIONS
 WITH ALUMINUM REINFORCEMENT
 ALL NON-IMPACT WINDOW SERIES

REVISIONS			
REV.	DESCRIPTION	DATE	BY
3	Revised per 2007 Florida Building Code, Added Sheet 8.	04/15/2011	JRM
4	Revised per 2010 Florida Building Code, updated general notes shf.1	01/20/2012	CAP
5	Updated DP ratings chart and added new mullion covers.	06/20/2012	T.D.D.
6	Revised per 5th Ed. (2014) FBC	04/25/2015	LAT
7	Updated Note 1, Sheet 1	10/03/2017	LMH



NOTES:

1. THE MULLION PRODUCTS AND THEIR INSTALLATION COMPLY WITH FBC STRUCTURAL REQUIREMENTS AND ARE LIMITED TO USE OUTSIDE THE HVHZ.
2. THE MULLIONS SHALL BE USED IN CONNECTION WITH FBC APPROVED PRODUCTS.
3. ANCHORS SHALL HAVE 1 1/2" MINIMUM EMBEDMENT INTO WOOD AND 7/8" MINIMUM WOOD EDGE DISTANCE.
4. ATTACHMENT OF ALL 2X TREATED WOOD BUCKS SHALL BE ENGINEERED SEPARATELY BY OTHERS.
5. WOOD SHALL BE TREATED 2X SPRUCE, PINE, OR FIR.
6. #10 WOOD SCREWS SHALL BE STEEL CONFORMING TO ASTM A 653.
7. BASE PLATES AND L-BRACKETS ARE STAINLESS STEEL CONFORMING TO ANSI 302/304.
8. SIMILAR INSTALLATIONS ARE USED ON HEAD AND SILL.
9. WHEN INSTALLED IN LOCATIONS WHERE WINDBORNE DEBRIS PROTECTION IS REQUIRED, USE OF AN IMPACT PROTECTIVE SYSTEM IS REQUIRED.

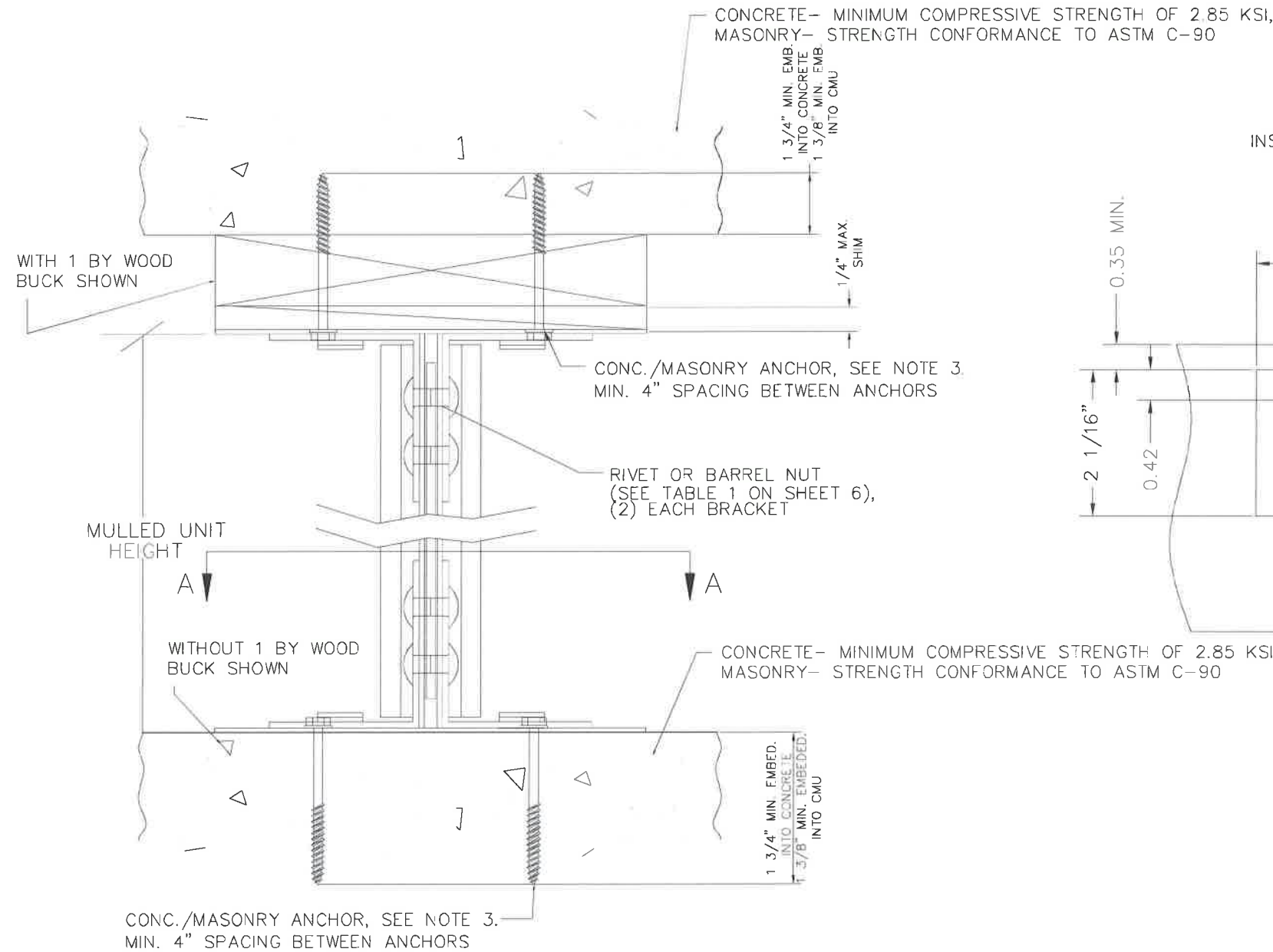


 10/3/2017 LUCAS A. TURNER, P.E. FL PE #58201 TURNER ENGINEERING & CONSULTING, INC. FBPE C.O.A. #28779 PH. 341-380-1274 1239 JABARA AVE. NORTH PORT, FL 34288	SCALE: C. 75: 1 SHEET: 7 of 8	SIMONTON WINDOWS	SIZE: C DRAWING NUMBER: RM0015B REV: 7 DATE: 3-20-08 DATE: 12/18/08 DATE: 01/20/12
	APPROVED BY: CAP DATE: 01/20/12	SERIES: ALL MULLION PRODUCTS TITLE: REINFORCED VINYL MULLIONS	

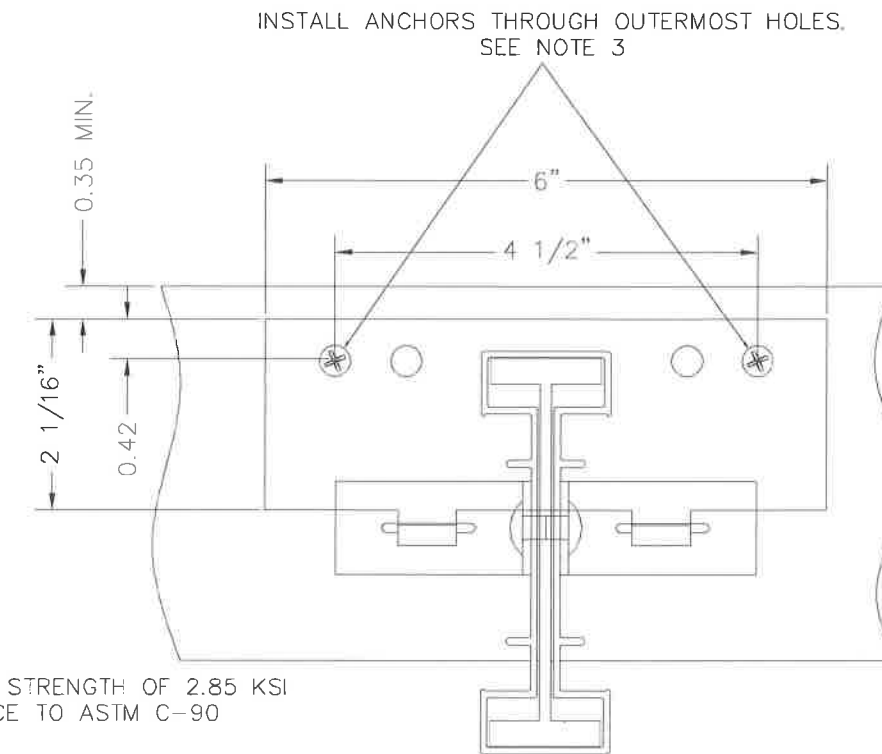
SIMONTON
WINDOWS
1 COCHRANE AVE. PENNSBORO, WV 26415
PH. 800-426-2249

EXTRUDED NON-IMPACT VINYL MULLIONS
WITH ALUMINUM REINFORCEMENT
ALL NON-IMPACT WINDOW SERIES

REVISIONS			
REV.	DESCRIPTION	DATE	BY
3	Revised per 2007 Florida Building Code, Added Sheet 8.	04/15/2011	JRM
4	Revised per 2010 Florida Building Code, updated general notes sh.1	01/20/2012	CAP
5	Updated DP ratings chart and added new mullion covers.	06/20/2012	T.D.D.
6	Revised per 5th Ed. (2014) FBC	04/25/2015	LAT
7	Updated Note 1, Sheet 1	10/03/2017	LMH



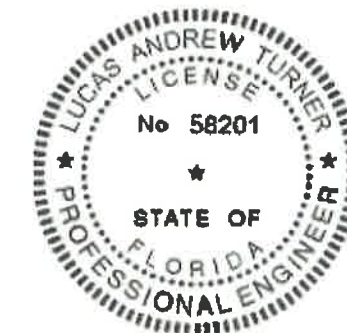
VERTICAL CROSS SECTION WITH
MASONRY/CONCRETE SUBSTRATE



SECTION A-A

NOTES:

1. THE MULLION PRODUCTS AND THEIR INSTALLATION COMPLY WITH FBC STRUCTURAL REQUIREMENTS AND ARE LIMITED TO USE OUTSIDE THE HVHZ.
2. THE MULLIONS SHALL BE USED IN CONNECTION WITH FBC APPROVED PRODUCTS.
3. ANCHORS IN GROUT-FILLED CMU BLOCK (ASTM C-90 COMPLIANT) SHALL BE 1/4" ELCO UTRACONS WITH 1 3/8" MIN. EMBED. TO BLOCK, AND 1" MIN. EDGE DIST. ANCHORS IN SOLID CONCRETE (2.85 KSI M.N.) SHALL BE 3/16" ITW TAPCONS OR 1/4" ELCO ULTRACONS WITH 1 3/4" MIN. EMBED. TO CONCRETE, AND 1 1/8" MIN. EDGE DIST.
4. ATTACHMENT OF ALL 2X TREATED WOOD BUCKS SHALL BE ENGINEERED SEPARATELY BY OTHERS.
5. WOOD SHALL BE TREATED 2X SPRUCE, PINE, OR FIR.
6. BASE PLATES AND L-BRACKETS ARE STAINLESS STEEL CONFORMING TO ANSI 302/304.
7. SIMILAR INSTALLATIONS ARE USED ON HEAD AND SILL.
8. WHEN INSTALLED IN LOCATIONS WHERE WINDBORNE DEBRIS PROTECTION IS REQUIRED, USE OF AN IMPACT PROTECTIVE SYSTEM IS REQUIRED.



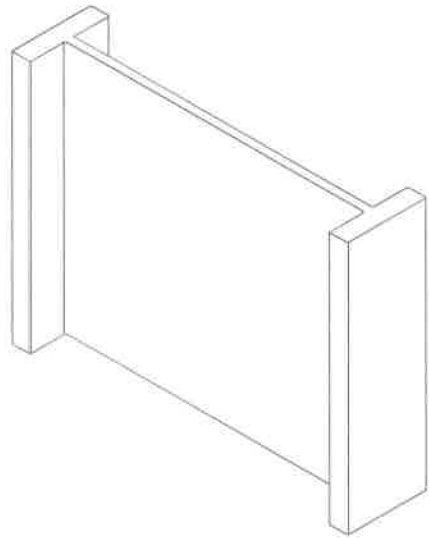
22	10/3/2017	SCALE: 0.75:1	SHEET: 8 of 8	APPROV BY: CAP	DATE: 01/20/12
	LUCAS A. TURNER, P.E. FL PE #58201 TURNER ENGINEERING & CONSULTING, INC. FBE C.O.A. #28779 Ph. 841-380-1574 1239 JABARA AVE. NORTH PORT, FL 34288	SIMONTON WINDOWS	DRWN BY: RTW DATE: 3-20-06	CHECKED BY: TDD DATE: 12/18/08	REV. C1 RM0015B1 7
TITLE: REINFORCED VINYL MULLIONS					

SIMONTON
WINDOWS
1 COCHRANE AVE. PENNSBORO, WV 26415
PH. 800-426-2249

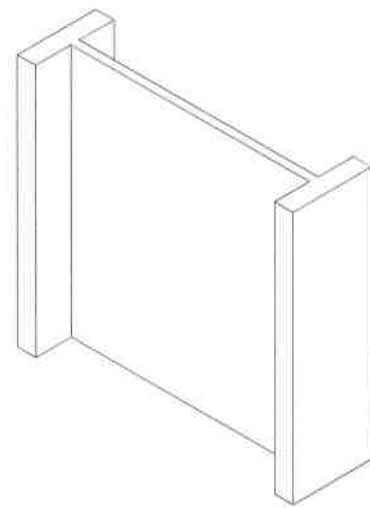
EXTRUDED NON-IMPACT VINYL MULLIONS
WITH ALUMINUM REINFORCEMENT
ALL NON-IMPACT WINDOW SERIES

MULLIONS MEET THE REQUIREMENTS OF THE CURRENT
FLORIDA BUILDING CODE.

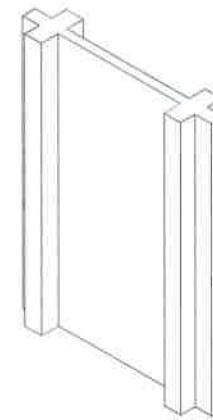
REVISIONS			
REV.	DESCRIPTION	DATE	BY
3	Revised per 2007 Florida Building Code, Added Sheet 8.	04/15/2011	JRM
4	Revised per 2010 Florida Building Code, updated general notes sht.1.	01/20/2012	CAP
5	Updated DP ratings chart and added new mullion covers.	06/20/2012	T.D.D.
6	Revised per 5th Ed. (2014) FBC	04/25/2015	LAT
7	Updated Note 1, Sheet 1	10/03/2017	LMH



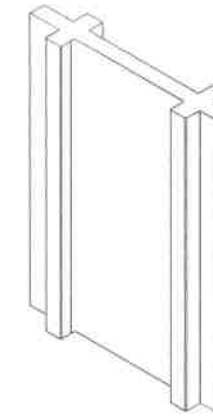
LARGE MULLION
REINFORCEMENT CM0146
ALUMINUM 6063-T6



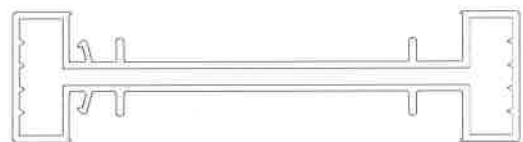
LARGE MULLION
REINFORCEMENT #16991
ALUMINUM 6063-T6



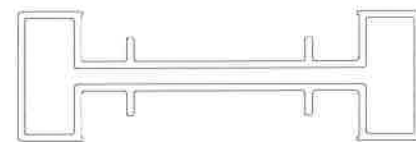
MEDIUM MULLION
REINFORCEMENT #16990
ALUMINUM 6063-T6



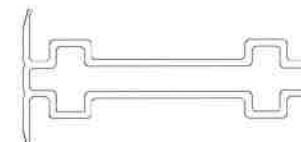
MEDIUM MULLION
REINFORCEMENT #20634
ALUMINUM 6063-T6



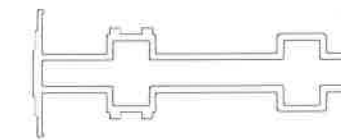
5000 FIN & J FRAME VINYL
H-MULLION COVER #VPI-573
EXTRUDED VINYL 0.071" MIN.



PROFINISH LARGE VINYL
H-MULLION COVER #VPI-560
EXTRUDED VINYL 0.079" MIN.



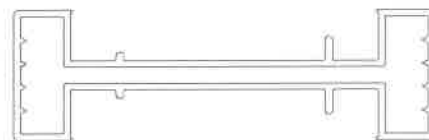
PROFINISH MEDIUM VINYL
H-MULLION COVER #VPI-346A
EXTRUDED VINYL 0.071" MIN.



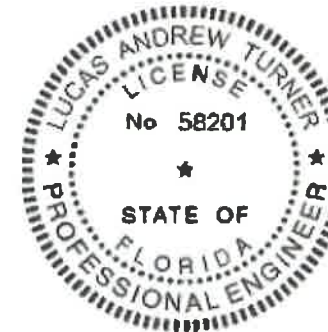
RETROFIT MEDIUM VINYL
H-MULLION COVER #VPI-436
EXTRUDED VINYL 0.070" MIN.

PRODUCT DESCRIPTION:

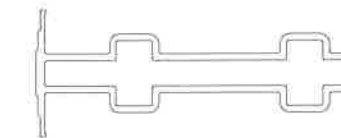
1. ALL MULLION REINFORCEMENTS ARE EXTRUDED ALUMINUM 6063-T6.
2. ALL MULLION COVERS ARE EXTRUDED VINYL. SEE ABOVE FOR INDIVIDUAL MULLION THICKNESS.



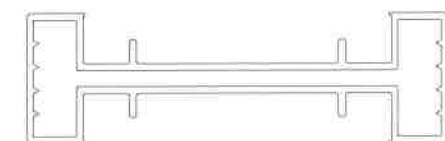
RETROFIT LARGE VINYL
H-MULLION COVER #VPI-354
EXTRUDED VINYL 0.071" MIN.



Lucas
Turner
2017-10-18
11:15+20:00



4000 SERIES MEDIUM VINYL
H-MULLION COVER #MP0347
EXTRUDED VINYL 0.070" MIN.



4000 SERIES LARGE VINYL
H-MULLION COVER #VPI-354A
EXTRUDED VINYL 0.071" MIN.

GENERAL NOTES:

1. THE FOUR (4) MULLION PRODUCTS MEET THE CURRENT FLORIDA BUILDING CODE SECTION 1709.8, INCLUDING L/175 DEFLECTION LIMIT, LOAD TRANSFER, AND FIBERSTRESS ANALYSES IN THE DESIGN PRESSURES SHOWN IN THE TABLES IN THIS DRAWING. THE ANALYSES DID NOT ADDRESS AIR OR WATER INFILTRATION. OVERALL WINDOW ASSEMBLY ALLOWABLE DESIGN PRESSURES SHALL BE THE LOWER OF THE MULLION PER THIS APPROVAL OR THE SIMONTON WINDOWS PER SEPARATE PRODUCT APPROVAL.
2. PRODUCT ANCHORS SHALL BE AS LISTED AND SPACED AS SHOWN HEREIN.

TABLE OF CONTENTS	
SHT	DESCRIPTION
1	INDIVIDUAL MULLION APPLICATIONS
2	DESIGN PRESSURES FOR REINFORCEMENT CM0146
3	DESIGN PRESSURES FOR REINFORCEMENT 16991
4	DESIGN PRESSURES FOR REINFORCEMENT 16990
5	DESIGN PRESSURES FOR REINFORCEMENT 20634
6	MULLION ATTACHMENT AND ANCHORING
7	MULLION CROSS SECTIONS-WOOD FRAME SUBSTRATE
8	MULLION CROSS SECTIONS-MASONRY/CONC. SUBSTRATE

	SCALE: C.75"	SHEET 1 of 8	DATE: 01/20/12
	LUCAS A. TURNER, P.E. FL PE #58201 TURNER ENGINEERING & CONSULTING, INC. FIBRE CO. A. #28779, PH. 341-380-1574 1239 JABARA AVE. NORTH PORT, FL 34286		

SIMONTON WINDOWS
 1 COCHRANE AVE. PENNSBORO, WV 26415
 PH. 800-426-2249

EXTRUDED NON-IMPACT VINYL MULLIONS
 WITH ALUMINUM REINFORCEMENT
 ALL NON-IMPACT WINDOW SERIES

REVISIONS			
REV.	DESCRIPTION	DATE	BY
3	Revised per 2007 Florida Building Code, Added Sheet 8.	04/15/2011	JRM
4	Revised per 2010 Florida Building Code, updated general notes sht. 1.	01/20/2012	CAP
5	Updated DP ratings chart and added new mullion covers.	06/20/2012	T.D.D.
6	Revised per 5th Ed. (2014) FBC	04/25/2015	LAT
7	Updated Note 1, Sheet 1	10/03/2017	LMH

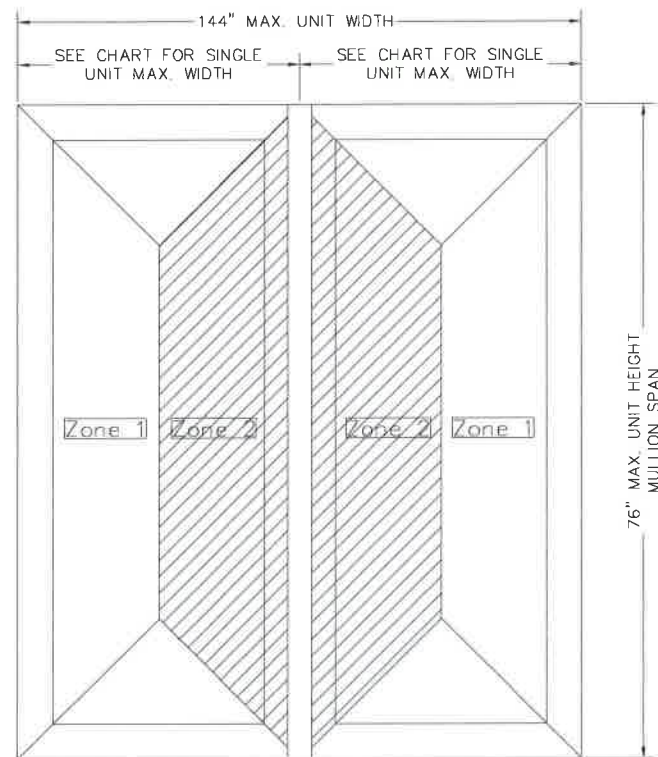


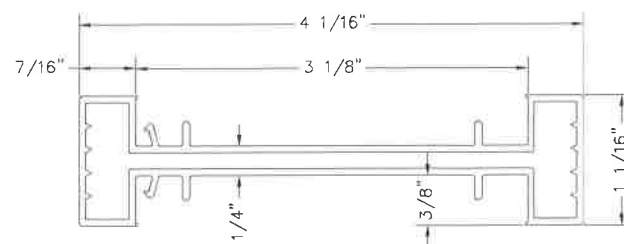
TABLE A - MAXIMUM DESIGN PRESSURES (PSF)
 MULLION # CM0146

Mullion Length	Individual Unit Width												
	24	28	32	36	40	44	48	52	56	60	64	68	72
40	75	75	75	75	75	75	75	75	75	75	75	75	75
44	75	75	75	75	75	75	75	75	75	75	75	75	75
48	75	75	75	75	75	75	75	75	75	75	75	75	75
52	75	75	75	75	75	75	75	75	75	75	75	75	75
56	75	75	75	75	75	75	70	70	70	70	70	70	70
60	75	75	75	75	70	65	65	65	60	60	60	60	60
64	75	75	70	65	65	60	55	55	55	55	55	55	55
68	75	75	65	60	55	55	50	50	50	50	45	45	45
72	75	70	60	55	55	50	45	45	45	45	40	40	40
76	70	65	55	50	50	45	45	40	40	40	40	40	35
80	65	60	55	50	45	40	40	40	35	35	35	35	35
84	65	55	50	45	40	40	35	35	35	35	30	30	30
88	60	55	45	45	40	35	35	35	30	30	30	30	30
92	55	50	45	40	35	35	35	30	30	30	25	25	25
96	55	45	40	40	35	35	30	30	30	25	25	25	25

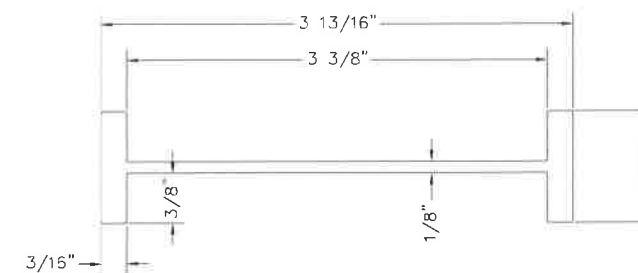
MAXIMUM SINGLE WINDOW WIDTH

WINDOW TYPE	WINDOW WIDTH
DOUBLE HUNG	56"
HORIZONTAL SLIDER	72"
CASEMENT	36"
FIXED	96"

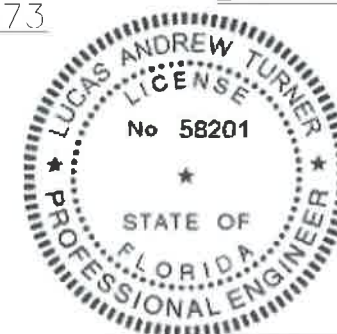
MULLION TRIBUTARY WIDTH = SUM OF ZONE 2 WINDOW WIDTHS



ALL FIN & J FRAMES H-MULLION
 LARGE VINYL MULLION COVER #VPI-573
 EXTRUDED VINYL .071" MIN.



LARGE MULL REINFORCEMENT #CM0146
 ALUMINUM 6063-T6



SEE NOTES SHEETS 6, 7, AND 8 FOR REQUIRED ANCHORAGE INFORMATION.

 LUCAS A. TURNER P.E. FL PE #58201 TURNER ENGINEERING & CONSULTING, INC. FBRE C/O A. #29799 PH. 341-380-1574 1239 JABARA AVE. NORTH PORT, FL 34288	 SCALE: 0.75:1 SHEET 2 of 8 SERIES: ALL MULLED PRODUCTS TITLE: REINFORCED VINYL MULLIONS	DATE: 10/3/2017	DRAWING NUMBER: RM0015B1	REV: 7
		CHECKED BY: TD DATE: 12/18/08	DRAWN BY: RTW DATE: 3-20-08	APPROVED BY: CAP DATE: 01/20/12

SIMONTON
 WINDOWS
 1 COCHRANE AVE. PENNSBORO, WV 26415
 PH. 800-426-2249

EXTRUDED NON-IMPACT VINYL MULLIONS
 WITH ALUMINUM REINFORCEMENT
 ALL NON-IMPACT WINDOW SERIES

REVISIONS			
REV.	DESCRIPTION	DATE	BY
3	Revised per 2007 Florida Building Code, Added Sheet 8.	04/15/2011	JRM
4	Revised per 2010 Florida Building Code, updated general notes sht. 1	01/20/2012	CAP
5	Updated DP ratings chart and added new mullion covers.	06/20/2012	T.D.D.
6	Revised per 5th Ed. (2014) FBC	04/25/2015	LAT
7	Updated Note 1, Sheet 1	10/03/2017	LMH

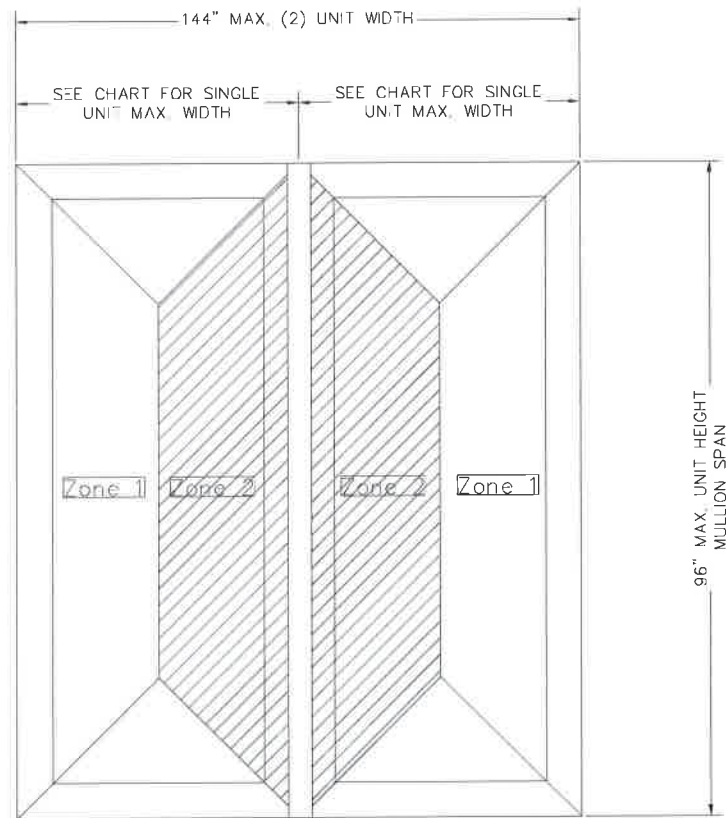
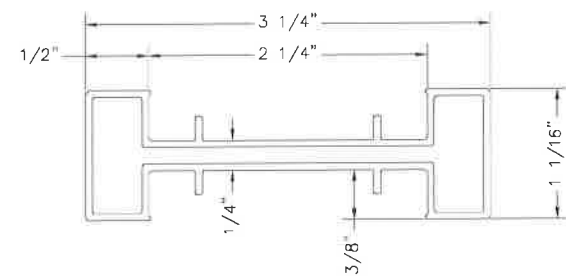


TABLE B - MAXIMUM DESIGN PRESSURES (PSF)
 MULLION #16991

Mullion Length	Individual Unit Width												
	24	28	32	36	40	44	48	52	56	60	64	68	72
40	75	75	75	75	75	75	75	75	75	75	75	75	75
44	75	75	75	75	75	75	75	75	75	75	75	75	75
48	75	75	75	75	75	75	75	75	75	75	75	75	75
52	75	75	75	75	75	75	75	75	75	75	75	75	75
56	75	75	75	75	75	75	70	70	70	70	70	70	70
60	75	75	75	75	70	65	65	65	60	60	60	60	60
64	75	75	70	65	65	60	55	55	55	55	55	55	55
68	75	75	65	60	55	55	50	50	50	50	45	45	45
72	75	70	60	55	55	50	45	45	45	45	40	40	40
76	70	65	55	50	50	45	45	40	40	40	40	40	35
80	65	60	55	50	45	40	40	40	35	35	35	35	35
84	65	55	50	45	40	40	35	35	35	35	30	30	30
88	60	55	45	45	40	35	35	35	30	30	30	30	30
92	55	50	45	40	35	35	35	30	30	30	25	25	25
96	55	45	40	40	35	35	30	30	30	25	25	25	25

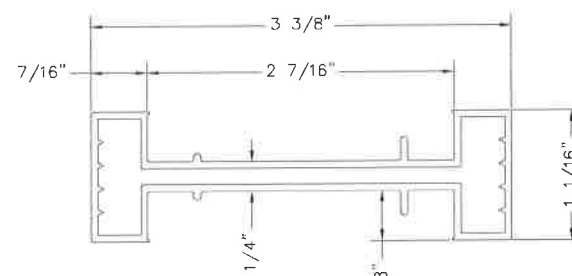


PROFINISH H-MULLION
 LARGE VINYL MULLION COVER #VPI-560
 EXTRUDED VINYL .079" MIN.

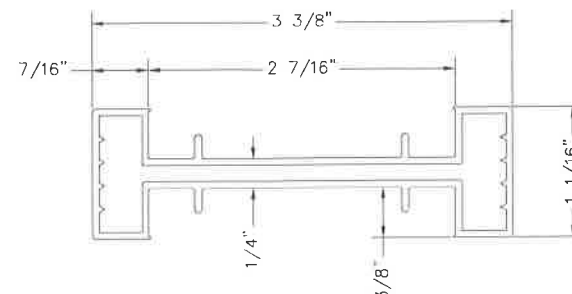
MAXIMUM SINGLE WINDOW WIDTH

WINDOW TYPE	WINDOW WIDTH
SINGLE HUNG	52"
DOUBLE HUNG	56"
HORIZONTAL SLIDER	72"
CASEMENT	36"
FIXED	96"

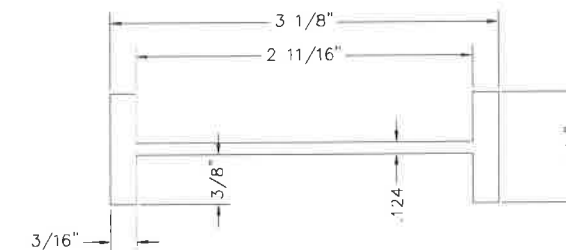
MULLION TRIBUTARY WIDTH = SUM
 OF ZONE 2 WINDOW WIDTHS



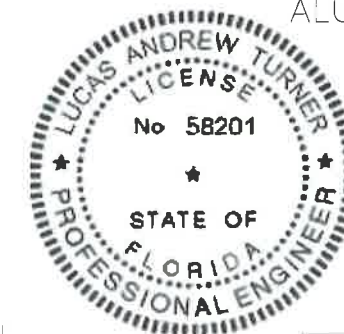
RETROFIT H-MULLION
 LARGE VINYL MULLION COVER #VPI-354
 EXTRUDED VINYL .071" MIN.



4000 SERIES RETROFIT H-MULLION
 LARGE VINYL MULLION COVER #VPI-354
 EXTRUDED VINYL .071" MIN.



LARGE MULL REINFORCEMENT #16991
 ALUMINUM 6063-T6



SEE NOTES SHEETS 6, 7, AND 8 FOR REQUIRED ANCHORAGE INFORMATION.

22

10/3/2017

LUCAS A. TURNER, P.E., F.L.P.E. #58201
 TURNER ENGINEERING & CONSULTING, INC.
 FBPE, C.O.A. #29776, Ph. 941-380-1574
 1239 JABARA AVE., NORTH PORT, FL 34286

SCALE: 0.75" = 1" SHEET 3 of 8

SIMONTON WINDOWS

SIZE: DRAWING NUMBER: REV: C RM0015B 7

DRAWN BY: RTW DATE: 3-20-08

CHECKED BY: TDD DATE: 12/18/08

APPROVED BY: CAP DATE: 01/20/12

SERIES: ALL MULLED PRODUCTS

TITLE: REINFORCED VINYL MULLIONS



Product Approval
USER: Public User

[Product Approval Menu](#) > [Product or Application Search](#) > [Application List](#) > **Application Detail**

OFFICE OF THE SECRETARY

FL #	FL5177-R24						
Application Type	Revision						
Code Version	2017						
Application Status	Approved						
	*Approved by DBPR. Approvals by DBPR shall be reviewed and ratified by the POC and/or the Commission if necessary.						
Comments							
Archived							
Product Manufacturer	Simonton/Ply Gem Windows						
Address/Phone/Email	3948 Townsfair Way, Suite 200 Suite 200 Columbus, OH 43219 (614) 532-3596 luanne.harris@plygem.com						
Authorized Signature	Luanne Harris luanne.harris@plygem.com						
Technical Representative	Luanne Harris						
Address/Phone/Email	1 Cochrane Ave Pennsboro, WV 26415 (614) 532-3596 luanne.harris@simonton.com						
Quality Assurance Representative	AAMA						
Address/Phone/Email	1827 Walden Office Square Suite 550 Schaumburg, IL 60173 (847) 303-5664 webmaster@aamanet.org						
Category	Windows						
Subcategory	Fixed						
Compliance Method	Certification Mark or Listing						
Certification Agency	American Architectural Manufacturers Association						
Validated By	American Architectural Manufacturers Association						
Referenced Standard and Year (of Standard)	<table border="0"> <thead> <tr> <th><u>Standard</u></th> <th><u>Year</u></th> </tr> </thead> <tbody> <tr> <td>AAMA 450</td> <td>2010</td> </tr> <tr> <td>AAMA/WDMA/CSA 101/I.S 2/A440</td> <td>2008</td> </tr> </tbody> </table>	<u>Standard</u>	<u>Year</u>	AAMA 450	2010	AAMA/WDMA/CSA 101/I.S 2/A440	2008
<u>Standard</u>	<u>Year</u>						
AAMA 450	2010						
AAMA/WDMA/CSA 101/I.S 2/A440	2008						
Equivalence of Product Standards Certified By							
Product Approval Method	Method 1 Option A						
Date Submitted	04/13/2018						
Date Validated	04/24/2018						
Date Pending FBC Approval							
Date Approved	05/02/2018						

Summary of Products

FL #	Model, Number or Name	Description
5177.1	07-09, 07-10, 07-20 (Retrofit Installation)	Reflections 5500, Impressions 9800, Generations, PerfeXion Platinum Vinyl Fixed Window
Limits of Use Approved for use in HVHZ: No Approved for use outside HVHZ: Yes Impact Resistant: No Design Pressure: N/A Other: 74x63 (+/-55 PSF), 37x84 (+/-50 PSF)		Certification Agency Certificate FL5177 R24 C CAC 07-09 PW 37x84 R PG50 (ext.).pdf FL5177 R24 C CAC 07-09 PW 74x63 LC55.pdf FL5177 R24 C CAC 07-09-10-20 and 08-09-10-20 Waiver.pdf Quality Assurance Contract Expiration Date 06/23/2019 Installation Instructions FL5177 R24 II IN0108 07-09 07-10 07-20 PW 2X.pdf FL5177 R24 II IN0111-R7 07-09 07-10 07-20 PW 1X.pdf Verified By: American Architectural Manufacturers Association Created by Independent Third Party: Evaluation Reports FL5177 R24 AE EvalReport-IN0111-R7-2017.pdf Created by Independent Third Party: Yes
5177.2	07-20 (Nailing Fin Installation)	Reflections 5500, Impressions 9800, Generations, PerfeXion Platinum Vinyl Fixed Window
Limits of Use Approved for use in HVHZ: No Approved for use outside HVHZ: Yes Impact Resistant: No Design Pressure: N/A Other: 96x72 (+/-45 PSF), 37x84 (+/-50 PSF), 74x63 (+/-60 PSF)		Certification Agency Certificate FL5177 R24 C CAC 07-20 PW 96x72 R PG45 (ext.).pdf FL5177 R24 C CAC 07-20 PW 37x84 R50.pdf FL5177 R24 C CAC 07-20 PW 74x63 R PG60 (ext.).pdf Quality Assurance Contract Expiration Date 11/01/2019 Installation Instructions FL5177 R24 II IN0514 07-20 PW 2X.pdf Verified By: American Architectural Manufacturers Association Created by Independent Third Party: Evaluation Reports Created by Independent Third Party:
5177.3	07-75, 07-09, 07-10, 07-20	Reflections 5500, Impressions 9800, Generations, PerfeXion Platinum, 6500 VantagePointe Vinyl Fixed Window
Limits of Use Approved for use in HVHZ: No Approved for use outside HVHZ: Yes Impact Resistant: No Design Pressure: N/A Other: 96x72 (+/-45 PSF), 63x63 (+/-55 PSF), 72x63 (+/-65 PSF)		Certification Agency Certificate FL5177 R24 C CAC 07-09-10-20 and 08-08-10-20 Waiver.pdf FL5177 R24 C CAC 07-75 PW 63x63 LC PG55.pdf FL5177 R24 C CAC 07-75 PW 72x63 LC PG65.pdf FL5177 R24 C CAC 07-75 PW 96x72 LC PG45.pdf FL5177 R24 C CAC ACP-05 SIM 07-75 DH HS PW frame 07-09.pdf Quality Assurance Contract Expiration Date 11/17/2022 Installation Instructions FL5177 R24 II IN0221-R3 07-75 07-09 07-10 07-20 PW 1X.pdf FL5177 R24 II IN0222 07-75 07-09 07-10 07-20 PW 2X.pdf Verified By: American Architectural Manufacturers Association Created by Independent Third Party: Evaluation Reports FL5177 R24 AE EvalReport-IN0221-R3.pdf Created by Independent Third Party: Yes
5177.4	08-08	ProFinish Contractor/Master, PerfeXion Contractor Vinyl Fixed (No Hinge) Casement
Limits of Use Approved for use in HVHZ: No Approved for use outside HVHZ: Yes Impact Resistant: No Design Pressure: N/A Other: 96x72 (+/-25 PSF), 74x63 (+/-55 PSF)		Certification Agency Certificate FL5177 R24 C CAC 08-08 PW (Fin) 74x63 LC PG55.pdf FL5177 R24 C CAC 08-08 PW (Fin) 96x72 LC PG25.pdf Quality Assurance Contract Expiration Date 04/26/2022 Installation Instructions FL5177 R24 II IN0328 08-08 NH 2X.pdf Verified By: American Architectural Manufacturers Association Created by Independent Third Party: Evaluation Reports Created by Independent Third Party:
5177.5	08-09, 08-10, 08-20	Reflections 5500, Generations, Impressions 9800, 6100/6500 VantagePointe, PerfeXion Platinum Vinyl Fixed (No Hinge) Casement
Limits of Use Approved for use in HVHZ: No Approved for use outside HVHZ: Yes Impact Resistant: No Design Pressure: N/A Other: 96x72 (+/-55 PSF), 80x63 (+/-60 PSF)		Certification Agency Certificate FL5177 R24 C CAC 07-09-10-20 and 08-09-10-20 Waiver.pdf FL5177 R24 C CAC 08-09 PW 80x63 R PG60.pdf FL5177 R24 C CAC 08-09 PW 96x72 R PG55.pdf Quality Assurance Contract Expiration Date 11/17/2022 Installation Instructions FL5177 R24 II IN0329 08-09 NH 2X.pdf FL5177 R24 II IN0456-R4 08-09 NH 1X.pdf Verified By: American Architectural Manufacturers Association Created by Independent Third Party: Evaluation Reports FL5177 R24 AE EvalReport-IN0456-R4.pdf Created by Independent Third Party: Yes
5177.6	41-18	ProFinish Brickmould 300, PerfeXion BM 300 Vinyl Fixed Window
Limits of Use		Certification Agency Certificate

A·L·I

(Validator / Operations Administrator)

**AAMA
CERTIFICATION PROGRAM
WAIVER OF RETEST REQUEST**



February 24, 2015

Simonton Windows
1 Cochrane Drive
Pensboro, WV 26415

Attn: Tiffany Davies
Coastal Code Specialist

Dear Tiffany,

Per your written request, you are hereby granted a waiver of retest to modify the sash frames on your Series 07-09 Picture, Double Hung and Horizontal Slider and 08-09 Awning and Casement product lines. The new frame codes will be identified as -10 and -20.

The test results and drawings included with your waiver request provide evidence of performance equivalence for the Series -10 flange frame and the Series -20 J-channel frame. The installation fasteners and locations are to remain unchanged.

Sincerely,

Handwritten signature of Brad Schultz in cursive script.

Brad Schultz
Associated Laboratories, Inc.

Handwritten signature of Jason Seals in cursive script.

Jason Seals
AAMA Certification Program

Evaluation Report IN0221-R3
April 13, 2018

Product Description: Fixed Window Series 07-75/07-09/07-10/07-20

Manufacturer: Simonton Windows, 1 Cochrane Ave., Pennsboro, WV

Statement of Compliance: This report evaluates the above-listed product per the requirements of FAC Product Approval Rule 61G20-3.005 (4). This product complies with the requirements of the Florida Building Code outside the High Velocity Hurricane Zone. The product testing standards performed are outlined below.

Technical Documentation:

- 1) This report, prepared by Lucas A. Turner, P.E., at 1239 Jabara Ave., North Port, FL
- 2) Installation drawing IN0221-R3, signed and sealed by Lucas A. Turner, P.E.
- 3) Test Report SIMO-046-03-01-r0, from PRI Construction Materials, Tampa, FL, with testing performed: AAMA/WDMA/CSA 101/I.S.2/A440-08/11
- 4) Supplemental Calculations to support IN0221-R3, signed and sealed by Lucas A. Turner, P.E.

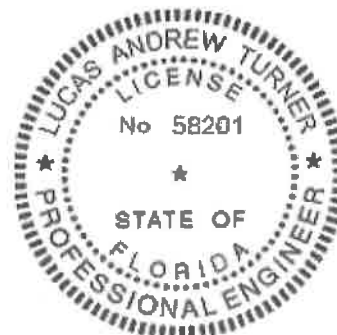
Installation: Units must be installed according to installation drawing IN0221-R3.

Limitations of Use: This product:

- May be used in the design pressures and product sizes as indicated in IN0221-R3
- Is non-impact and requires the use of shutters in windborne debris regions
- May not be used in the High Velocity Hurricane Zone
- Requires white SimEx, Inc. PVC extrusions with current listing as an AAMA Certified Profile Licensee under AAMA 303

Certification of Independence: I do not have, nor do I intend to acquire, nor will I acquire, a financial interest in Simonton Windows or in any company manufacturing or distributing products for which this report is being issued. I do not have, nor do I intend to acquire, nor will I acquire, a financial interest in any other entity involved in the testing or approval process of this product.

Lucas
Turner
2018-04-24
10:59+20:00



LT
4/13/2018
Lucas A. Turner, P.E.
FL PE #58201

MODEL DESIGNATION: Simonton Series 07-75 / 07-09 / 07-10 / 07-20 Vinyl Fixed Window

MAXIMUM OVERALL NOMINAL SIZE: See Size Chart

DESIGN PRESSURE RATING: See Size Chart

USABLE CONFIGURATIONS: O

GENERAL DESCRIPTION: The head, sill, and side jambs are extruded PVC. The wall thickness through which the anchor screw penetrates is a minimum of 0.120".

Lucas
Turner
2018-04-13
11:41+20:00

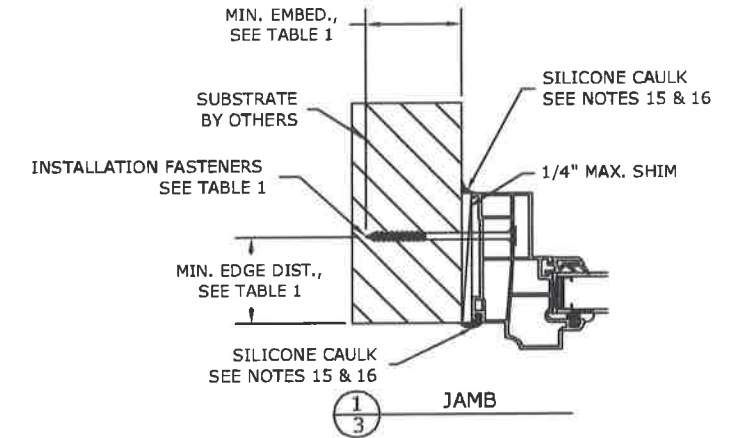
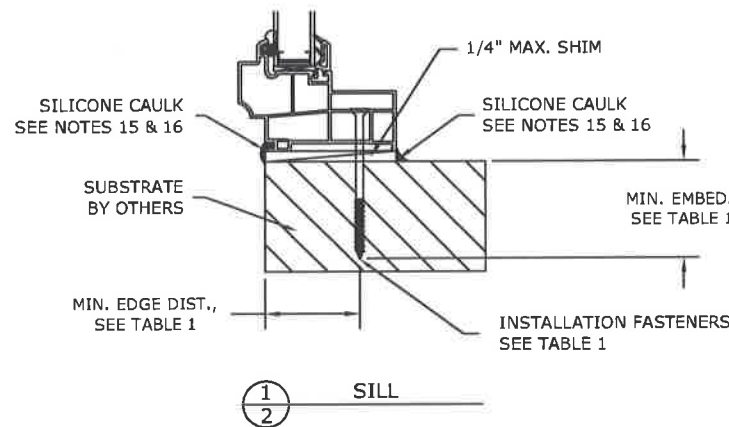
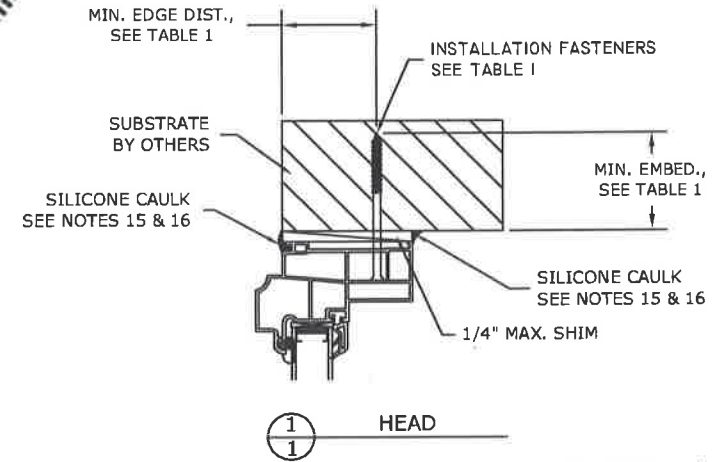
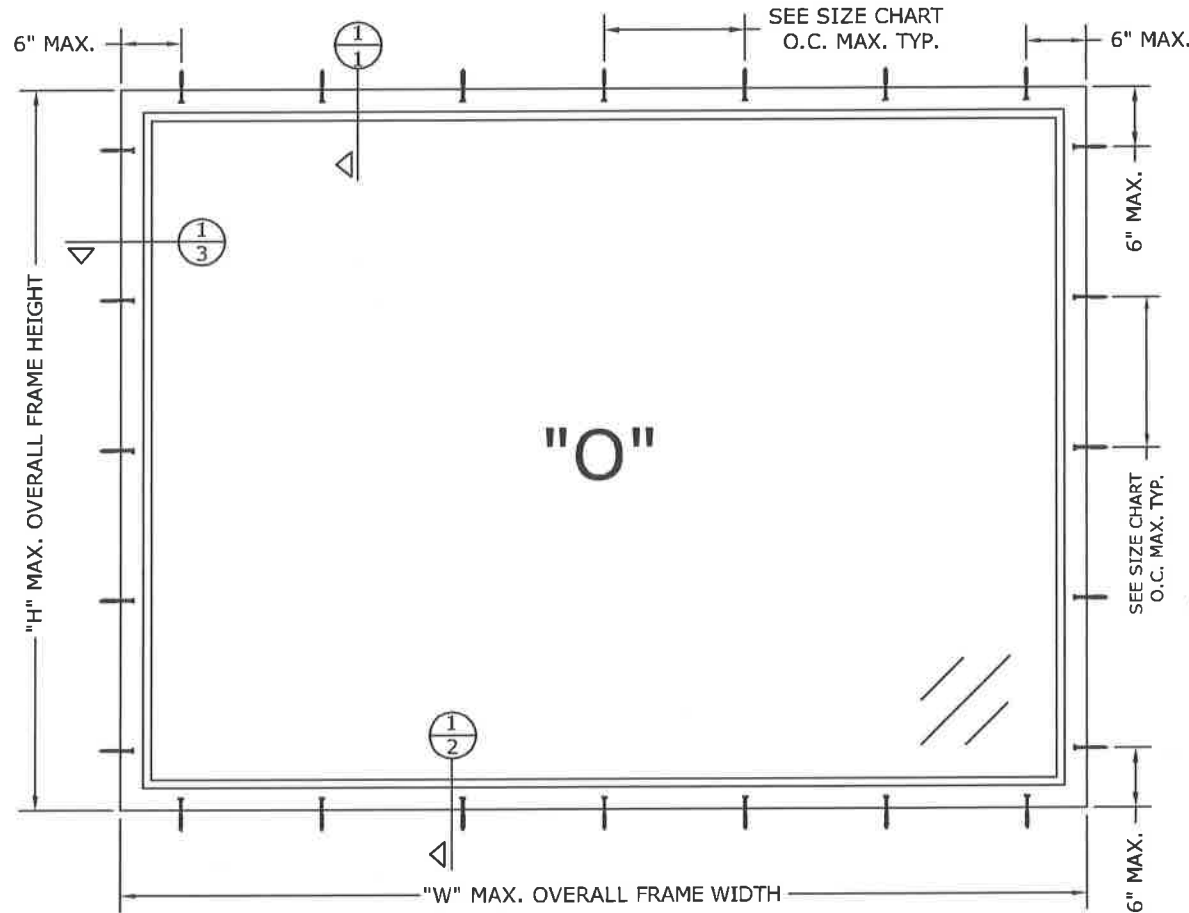


04/13/2018
LUCAS A. TURNER, P.E.
FL PE # 58201
TURNER ENGINEERING &
CONSULTING, INC.
(COA # 29779)
1239 JABARA AVE.
NORTH PORT, FL 34288
PH. 941-380-1574

REV. #:	REVISIONS:	REVISED BY:	DATE:
1	UPDATED GENERAL DESCRIPTION, NOTES, AND SIZE CHART.	T.D.D.	03/02/10
2	ADDED NOTES 15 & 16.	T.D.D.	11/27/11
3	UPDATES SIZE CHART DP RATING PER NEW TESTING.	LMH	04/06/18
.	.	.	.
.	.	.	.

SIZE CHART			
OVERALL SIZE		DP RATING	O.C. SPACING
WIDTH "W"*	HEIGHT "H"*		
96"	72"	±45 PSF	14 1/4"
63"	63"	±55 PSF	13 1/4"
72"	63"	±65 PSF	11 1/4"

*WIDTH AND HEIGHT CAN BE TRANSPOSED.



NOTES:

- This Installation has been evaluated for use in locations adhering to the Florida Building Code outside the HVHZ, and where pressure requirements as determined by ASCE 7 Minimum Design Loads for Buildings and Other Structures do not exceed the design pressure ratings herein.
- All interior and exterior perimeter surfaces of the window must be caulked.
- Anchor type, size, spacing, embedment, and edge distance shall be as specified in these drawings. Use appropriate anchorage from Table 1 according to substrate type. A minimum center-to-center spacing of 3" shall be maintained between all Elco Ultracons in any direction.
- Anchor embedment to substrate shall be beyond wall dressing or stucco. For masonry openings with wood bucks less than 1-1/2" thick, embedment shall be beyond wood bucks, if used, and into masonry substrate. Wood bucks with masonry are optional.
- Wood or masonry openings, bucks, and buck fasteners, by others, shall be properly designed and installed to transfer wind loads to the structure.
- The responsibility for selection of Simonton products to meet any applicable local laws, building codes, ordinances, or other safety requirements rests solely with the architect, building owner, or contractor.
- Shims are required where gaps of greater than 1/16" exist between opening and frame. Max. shim stack is 1/4". Shims shall be load-bearing and capable of transferring loads to the substrate.
- When used in areas requiring impact protection, this product REQUIRES the use of approved impact resistant shutters or other external protection.
- Sealing and flashing by others should be applied using the ASTM E 2112 methodology appropriate for the opening into which the product is being installed. Overall water penetration resistance of the installed product is not addressed in this drawing and is the responsibility of others.
- Glazing shall comply with ASTM E 1300-04.
- All fasteners penetrating into pressure treated wood shall be capable of preventing corrosion due to reaction with pressure treatment chemicals. Any dissimilar materials that come into contact shall be protected to prevent reactions in accordance with code requirements.
- A wind load duration factor Cd = 1.6 was used for the analysis of wood screws only.
- Designation "X" and "O" stand for the following: X: Operable Panel - O: Fixed Panel.
- Products shall be constructed as specified in test reports SIMO-046-03-01-r0.
- Use 100% pure silicone caulk compliant with AAMA 800 Section 1 - Sealant Specifications for use with Architectural Fenestration Products. For more details visit Simonton.com.
- Use a backer rod on all joints >3/4" deep and/or wider than 1/4". Finished caulk joint should be a minimum of 3/8" deep.

TABLE 1: INSTALLATION FASTENERS TABLE

ID	SUBSTRATE TYPE	ANCHOR TYPE	MIN. EMBED	MIN. EDGE DISTANCE
A	CONCRETE (2 KSI MIN.)	1/4" ITW TAPCON	1"	1-1/4"
B	HOLLOW OR GROUT-FILLED CMU (117 PCF MIN.)	1/4" ITW TAPCON	1"	2"
C	2X MIN. SOUTHERN PINE WOOD (G=0.55)	1/4" ITW TAPCON	1-3/8"	1"
D	2X MIN. SOUTHERN PINE WOOD (G=0.55)	#12 WOOD SCREW	1-3/8"	1"
E	16 GAUGE (0.060") MIN. STEEL STUD, 33KSI YIELD MIN.	#12-16 ITW TEKS SELF-DRILLING SCREW	FULL THREAD	9/16"
F	1/8" ALUM. 6063-T5 MIN. OR 1/8" STEEL 36 KSI MIN.	#12 GRADE 5 SELF-TAPPING/ DRILLING SCREW	FULL THREAD	9/16"

DISCLOSURE STATEMENT
This document is the property of Simonton Windows, which retains all proprietary and other rights to its subject matter. This document is provided to the recipient on the expressed condition that it is not to be disclosed, reproduced in whole or part, nor used in conjunction with the design, manufacture or repair of goods for anyone other than Simonton Windows without its consent. This restriction does not limit the recipient's rights to utilize information contained in this document which is properly obtained from another source.

MATERIAL:	
RMS FINISH: EXCEPT AS NOTED	
ALLOY & TEMPER:	
WEIGHT:	VOLUME:
SURFACE AREA:	PERIMETER:
FINISH TREATMENT:	

Dimensional Tolerances
Unless Otherwise Specified

Decimals Angles

.X ± .03
.XX ± .01
.XXX ± .005

0° 30 min.

SIMONTON
WINDOWS
1 Cochrane Avenue
Pennsboro, WV 26415

SCALE: FIT SHEET: 1 of 1
SERIES: 07-75 / 07-09 / 07-10 / 07-20 PICTURE (FIXED) WINDOW
TITLE: 1X BUCK INSTALLATION

SIZE: DRAWING NO.: IN0221 REV.: 2
DRAWN BY: T.D.D. DATE: 01/25/08
CHECKED BY: DATE: DATE: DATE:



Product Approval
USER: Public User

OFFICE OF THE SECRETARY

[Product Approval Menu](#) > [Product or Application Search](#) > [Application List](#) > [Application Detail](#)

<p>FL #</p> <p>Application Type</p> <p>Code Version</p> <p>Application Status</p> <p>Comments</p> <p>Archived</p> <p>Product Manufacturer</p> <p>Address/Phone/Email</p> <p>Authorized Signature</p> <p>Technical Representative</p> <p>Address/Phone/Email</p> <p>Quality Assurance Representative</p> <p>Address/Phone/Email</p> <p>Category</p> <p>Subcategory</p> <p>Compliance Method</p> <p>Certification Agency</p> <p>Validated By</p> <p>Referenced Standard and Year (of Standard)</p> <p>Equivalence of Product Standards</p> <p>Certified By</p> <p>Product Approval Method</p> <p>Date Submitted</p> <p>Date Validated</p> <p>Date Pending FBC Approval</p> <p>Date Approved</p>	<p>FL253-R18</p> <p>Revision</p> <p>2017</p> <p>Approved</p> <p>*Approved by DBPR. Approvals by DBPR shall be reviewed and ratified by the POC and/or the Commission if necessary.</p> <p>PGT Industries</p> <p>1070 Technology Drive North Venice, FL 34275 (941) 486-0100 Ext 22318 druark@pgtindustries.com</p> <p>Jens Rosowski jrosowski@pgtindustries.com</p> <p>Jens Rosowski</p> <p>1070 Technology Drive Nokomis, FL 34275 (941) 486-0100 Ext 21140 jrosowski@pgtindustries.com</p> <p>Exterior Doors</p> <p>Swinging Exterior Door Assemblies</p> <p>Certification Mark or Listing</p> <p>Miami-Dade BCCO - CER</p> <p>Miami-Dade BCCO - VAL</p> <p>Standard</p> <p>TAS 201, 202, 203</p> <p>Year</p> <p>1994</p> <p>Method 1 Option A</p> <p>12/18/2017</p> <p>12/20/2017</p> <p></p> <p>12/25/2017</p>
--	---

Summary of Products

FL #	Model, Number or Name	Description
253.1	FD - 101 (Impact)	WinGuard Outswing Aluminum French Door with or without Sidelites
Limits of Use Approved for use in HVHZ: Yes Approved for use outside HVHZ: Yes Impact Resistant: Yes Design Pressure: N/A Other: Please see Miami-Dade County Notice of Acceptance (NOA) for product performance information, anchorage details, and anchor type, size, and spacing information.		Certification Agency Certificate FL253 R18 C CAC 17050401.pdf Quality Assurance Contract Expiration Date 10/18/2022 Installation Instructions FL253 R18 II 17050401.pdf Verified By: Miami-Dade BCCO - CER Created by Independent Third Party: Evaluation Reports Created by Independent Third Party:
253.2	FD - 101 (Non-Impact)	Outswing Aluminum French Door with or without Sidelites
Limits of Use Approved for use in HVHZ: Yes Approved for use outside HVHZ: Yes Impact Resistant: No Design Pressure: N/A Other: Please see Miami-Dade County Notice of Acceptance (NOA) for product performance information, anchorage details, and anchor type, size, and spacing information.		Certification Agency Certificate FL253 R18 C CAC 17050402.pdf Quality Assurance Contract Expiration Date 08/02/2022 Installation Instructions FL253 R18 II 17050402.pdf Verified By: Miami-Dade BCCO - CER Created by Independent Third Party: Evaluation Reports Created by Independent Third Party:
253.3	FD - 650 (Non-Impact)	Outswing Aluminum French Door with or without Sidelites
Limits of Use Approved for use in HVHZ: Yes Approved for use outside HVHZ: Yes Impact Resistant: No Design Pressure: N/A Other: Please see Miami-Dade County Notice of Acceptance (NOA) for product performance information, anchorage details, and anchor type, size, and spacing information.		Certification Agency Certificate FL253 R18 C CAC 17050403.pdf Quality Assurance Contract Expiration Date 03/24/2020 Installation Instructions FL253 R18 II 17050403.pdf Verified By: Miami-Dade BCCO - CER Created by Independent Third Party: Evaluation Reports Created by Independent Third Party:
253.4	FD - 750 (Impact)	WinGuard Outswing Aluminum French Door with or without Sidelites
Limits of Use Approved for use in HVHZ: Yes Approved for use outside HVHZ: Yes Impact Resistant: Yes Design Pressure: N/A Other: Please see Miami-Dade County Notice of Acceptance (NOA) for product performance information, anchorage details, and anchor type, size, and spacing information.		Certification Agency Certificate FL253 R18 C CAC 17050404.pdf Quality Assurance Contract Expiration Date 02/24/2020 Installation Instructions FL253 R18 II 17050404.pdf Verified By: Miami-Dade BCCO - CER Created by Independent Third Party: Evaluation Reports Created by Independent Third Party:
253.5	FD-5455 (Non-Impact)	Outswing Vinyl French Door with or without Sidelites and Transom
Limits of Use Approved for use in HVHZ: Yes Approved for use outside HVHZ: Yes Impact Resistant: No Design Pressure: N/A Other:		Certification Agency Certificate FL253 R18 C CAC 17050406.pdf Quality Assurance Contract Expiration Date 01/23/2019 Installation Instructions FL253 R18 II 17050406.pdf Verified By: Miami-Dade BCCO - CER Created by Independent Third Party: Evaluation Reports Created by Independent Third Party:
253.6	FD-5555 (Impact)	WinGuard Outswing Vinyl French Door with or without Sidelites and Transom
Limits of Use Approved for use in HVHZ: Yes Approved for use outside HVHZ: Yes Impact Resistant: Yes Design Pressure: N/A Other:		Certification Agency Certificate FL253 R18 C CAC 17050405.pdf Quality Assurance Contract Expiration Date 01/23/2019 Installation Instructions FL253 R18 II 17050405.pdf Verified By: Miami-Dade BCCO - CER Created by Independent Third Party: Evaluation Reports Created by Independent Third Party:



DEPARTMENT OF REGULATORY AND ECONOMIC RESOURCES (RER)
BOARD AND CODE ADMINISTRATION DIVISION

NOTICE OF ACCEPTANCE (NOA)

MIAMI-DADE COUNTY, FLORIDA
PRODUCT CONTROL SECTION

11805 SW 26 Street, Room 208
T (786) 315-2590 F (786) 315-2599

www.miamidade.gov/economy

PGT Industries, Inc.
1070 Technology Drive
North Venice, Fl. 34275

SCOPE:

This NOA is being issued under the applicable rules and regulations governing the use of construction materials. The documentation submitted has been reviewed and accepted by Miami-Dade County RER-Product Control Section to be used in Miami-Dade County and other areas where allowed by the Authority Having Jurisdiction (AHJ).

This NOA shall not be valid after the expiration date stated below. The Miami-Dade County Product Control Section (In Miami-Dade County) and/ or the AHJ (in areas other than Miami-Dade County) reserve the right to have this product or material tested for quality assurance purposes. If this product or material fails to perform in the accepted manner, the manufacturer will incur the expense of such testing and the AHJ may immediately revoke, modify, or suspend the use of such product or material within their jurisdiction. RER reserves the right to revoke this acceptance, if it is determined by Miami-Dade County Product Control Section that this product or material fails to meet the requirements of the applicable building code.

This product is approved as described herein, and has been designed to comply with the Florida Building Code, including the High Velocity Hurricane Zone.

DESCRIPTION: Series "FD-5555" Outswing PVC French Door w/ & w/o Sidelite and Transom - L.M.I.

APPROVAL DOCUMENT: Drawing No. MD-555.1, titled "Vinyl French Door and SLT/ TR", sheets 1 through 12 of 12, dated 05/07/13, with revision C dated 04/10/17, prepared by manufacturer, signed and sealed by Anthony Lynn Miller, P.E., bearing the Miami-Dade County Product Control Revision stamp with the Notice of Acceptance number and expiration date by the Miami-Dade County Product Control Section.

MISSILE IMPACT RATING: Large and Small Missile Impact Resistant

LABELING: Each unit shall bear a permanent label with the manufacturer's name or logo, city, state, series, and following statement: "Miami-Dade County Product Control Approved", unless otherwise noted herein.

RENEWAL of this NOA shall be considered after a renewal application has been filed and there has been no change in the applicable building code negatively affecting the performance of this product.

TERMINATION of this NOA will occur after the expiration date or if there has been a revision or change in the materials, use, and/ or manufacture of the product or process. Misuse of this NOA as an endorsement of any product, for sales, advertising or any other purposes shall automatically terminate this NOA. Failure to comply with any section of this NOA shall be cause for termination and removal of NOA.

ADVERTISEMENT: The NOA number preceded by the words Miami-Dade County, Florida, and followed by the expiration date may be displayed in advertising literature. If any portion of the NOA is displayed, then it shall be done in its entirety.

INSPECTION: A copy of this entire NOA shall be provided to the user by the manufacturer or its distributors and shall be available for inspection at the job site at the request of the Building Official.

This NOA revises NOA No. 16-0126.04 and consists of this page 1 and evidence pages E-1, E-2, E-3 and E-4, as well as approval document mentioned above.

The submitted documentation was reviewed by **Manuel Perez, P. E.**



MP
12/05/17

NOA No. 17-0504.05
Expiration Date: January 23, 2019
Approval Date: December 14, 2017
Page 1

NOTICE OF ACCEPTANCE: EVIDENCE SUBMITTED

A. DRAWINGS

1. Manufacturer's die drawings and sections.
(Submitted under NOA No. 13-0815.03)
2. Drawing No. **MD-555.1**, titled "Vinyl French Door and SLT/TR", sheets 1 through 12 of 12, dated 05/07/13, with revision **C** dated 04/10/17, prepared by manufacturer, signed and sealed by Anthony Lynn Miller, P.E.

B. TESTS

1. Test reports on: 1) Air Infiltration Test, per FBC, TAS 202-94
2) Uniform Static Air Pressure Test, Loading per FBC, TAS 202-94
3) Water Resistance Test, per FBC, TAS 202-94
4) Forced Entry Test, per FBC 2411.3.2.1, and TAS 202-94
5) Large Missile Impact Test per FBC, TAS 201-94
6) Cyclic Wind Pressure Loading per FBC, TAS 203-94
along with marked-up drawings and installation diagram of a Series FD-5570/FD-2770 PVC double entrance outswing doors, prepared by Fenestration Testing Laboratory, Inc., Test Report No. **FTL-8717**, dated 11/16/15, signed and sealed by Idalmis Ortega, P.E.
(Submitted under previous NOA No. 16-0126.04)
2. Test reports on: 1) Air Infiltration Test, per FBC, TAS 202-94
2) Uniform Static Air Pressure Test, Loading per FBC, TAS 202-94
3) Water Resistance Test, per FBC, TAS 202-94
4) Forced Entry Test, per FBC 2411.3.2.1, and TAS 202-94
5) Large Missile Impact Test per FBC, TAS 201-94
6) Cyclic Wind Pressure Loading per FBC, TAS 203-94
along with marked-up drawings and installation diagram of a Series FD-5555/FD-7700 PVC double entrance outswing doors, prepared by Fenestration Testing Laboratory, Inc., Test Report No. **FTL-8716**, dated 11/12/15, signed and sealed by Idalmis Ortega, P.E.
(Submitted under previous NOA No. 16-0126.04)
3. Test reports on: 1) Uniform Static Air Pressure Test, Loading per FBC, TAS 202-94
2) Large Missile Impact Test per FBC, TAS 201-94
3) Cyclic Wind Pressure Loading per FBC, TAS 203-94
along with marked-up drawings and installation diagram of a Series FD-5555/FD-7700 PVC fixed sidelite, prepared by Fenestration Testing Laboratory, Inc., Test Report No. **FTL-8715**, dated 11/05/15, signed and sealed by Idalmis Ortega, P.E.
(Submitted under previous NOA No. 16-0126.04)



Manuel Perez, P.E.
Product Control Examiner
NOA No. 17-0504.05

Expiration Date: January 23, 2019
Approval Date: December 14, 2017

NOTICE OF ACCEPTANCE: EVIDENCE SUBMITTED

B. TESTS (CONTINUED)

4. Test reports on: 1) Air Infiltration Test, per FBC, TAS 202-94
2) Uniform Static Air Pressure Test, Loading per FBC TAS 202-94
3) Water Resistance Test, per FBC, TAS 202-94
along with marked-up drawings and installation diagram of an outswing PVC French door, prepared by Fenestration Testing Laboratory, Inc., Test Report No. **FTL-7370**, dated 05/23/13, signed and sealed by Jorge A. Naya, Jr., P.E.
(Submitted under NOA No. 13-0815.03)
5. Test reports on: 1) Uniform Static Air Pressure Test, Loading per FBC, TAS 202-94
2) Large Missile Impact Test per FBC, TAS 201-94
3) Cyclic Wind Pressure Loading per FBC, TAS 203-94
along with marked-up drawings and installation diagram of an outswing Rigid PVC French door, prepared by Fenestration Testing Laboratory, Inc., Test Report No. **FTL-7371**, dated 05/25/13, signed and sealed by Jorge A. Naya, Jr., P.E.
(Submitted under NOA No. 13-0815.03)
6. Test reports on: 1) Air Infiltration Test, per FBC, TAS 202-94
2) Uniform Static Air Pressure Test, Loading per FBC TAS 202-94
3) Water Resistance Test, per FBC, TAS 202-94
along with marked-up drawings and installation diagram of a PVC fixed window, prepared by Fenestration Testing Laboratory, Inc., Test Report No. **FTL-7338**, dated 05/25/13, signed and sealed by Jorge A. Naya, Jr., P.E.
(Submitted under NOA No. 13-0815.03)
7. Test reports on: 1) Uniform Static Air Pressure Test, Loading per FBC, TAS 202-94
2) Large Missile Impact Test per FBC, TAS 201-94
3) Cyclic Wind Pressure Loading per FBC, TAS 203-94
along with marked-up drawings and installation diagram of a Rigid PVC fixed window, prepared by Fenestration Testing Laboratory, Inc., Test Report No. **FTL-7339**, dated 05/23/13, signed and sealed by Jorge A. Naya, Jr., P.E.
(Submitted under NOA No. 13-0815.03)

C. CALCULATIONS

1. Anchor verification calculations and structural analysis, complying with **FBC 5th Edition (2014)**, dated 03/30/15, prepared by manufacturer, signed and sealed by Anthony Lynn Miller, P.E.
(Submitted under NOA No. 15-0409.03)
2. Glazing complies with **ASTM E1300-09**


Manuel Perez, P.E.
Product Control Examiner
NOA No. 17-0504.05

Expiration Date: January 23, 2019
Approval Date: December 14, 2017

NOTICE OF ACCEPTANCE: EVIDENCE SUBMITTED

D. QUALITY ASSURANCE

1. Miami-Dade Department of Regulatory and Economic Resources (RER).

E. MATERIAL CERTIFICATIONS

1. Notice of Acceptance No. **16-1117.01** issued to **Kuraray America, Inc.** for their "**Trosifol® Ultraclear, Clear and Color PVB Glass Interlayers**" dated 01/19/17, expiring on 07/08/19.
2. Notice of Acceptance No. **14-0916.11** issued to **Kuraray America, Inc.** for their "**Kuraray SentryGlas® (Clear and White) Glass Interlayers**" dated 06/25/15, expiring on 07/04/18
3. Notice of Acceptance No. **14-0820.11** issued to Vision Extrusions Limited for their "**White Rigid PVC Exterior Extrusions for Windows and Doors**", dated 11/06/14, expiring on 09/30/19.
(Submitted under NOA No. 15-0409.03)
4. Notice of Acceptance No. **14-0820.12** issued to Vision Extrusions Limited for their "**Brown Coated (Painted or Laminated) White Rigid PVC Exterior Extrusions for Windows and Doors**", dated 11/06/14, expiring on 09/30/19.
(Submitted under NOA No. 15-0409.03)
5. Notice of Acceptance No. **13-1121.01** issued to Vision Extrusions Limited for their series "**VE 2000 Tan 202 and lighter shades (Non-White) Rigid Cellular PVC Exterior Extrusions for Windows and Doors**" dated 01/23/14, expiring on 01/23/19.
(Submitted under NOA No. 15-0409.03)
6. Notice of Acceptance No. **13-1121.02** issued to Vision Extrusions Limited for their series "**White Rigid Cellular PVC Exterior Extrusions for Windows and Doors**" dated 01/23/14, expiring on 01/23/19.
(Submitted under NOA No. 15-0409.03)
7. Notice of Acceptance No. **11-0902.10** issued to Vision Extrusions Limited for their series "**VE 1000 Tan 202 (Non-White) Rigid PVC Exterior Extrusions for Windows and Doors**" dated 12/29/11, expiring on 12/29/16.
(Submitted under previous NOA No. 15-0409.03)
8. Quanex Part **Super Spacer Standard** complying with ASTM C518 Thermal Conductivity 0.881 BTU-in/ hr.-ft²-°F, ASTM F 1249 WVTR-Pass, ASTM D3985 Oxygen-Pass, ASTM E 2190 I.G. Durability-No Fog-Pass.
(Submitted under NOA No. 13-0815.03)
9. Quanex Part **Duraseal** complying with ASTM C518 Thermal Conductivity 2.22 BTU-in/ hr.-ft²-°F, ASTM F 1249 WVTR-Pass, ASTM D 1434 Argon Permeance-Pass, ASTM E 2189 I.G. Durability-No Fog, ASTM E 546 Dew Point Development -20°F in 48 hrs.
(Submitted under NOA No. 13-0815.03)


Manuel Perez, P.E.
Product Control Examiner
NOA No. 17-0504.05

Expiration Date: January 23, 2019
Approval Date: December 14, 2017

NOTICE OF ACCEPTANCE: EVIDENCE SUBMITTED

E. MATERIAL CERTIFICATIONS (CONTINUED)

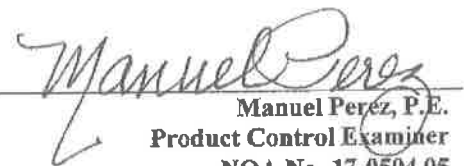
10. Vision Extrusions, Ltd. Parts complying with PVC-AAMA 303-13.
(Submitted under NOA No. 13-0815.03)
11. PVC-AAMA 303-13, Voluntary Specification for Rigid Polyvinyl Chloride (PVC) Exterior Profiles for Vision Extrusions, Ltd.-VEX-1 by AAMA Fenestration Exterior Profile Certification Program.
(Submitted under NOA No. 13-0815.03)

F. STATEMENTS

1. Statement letter of conformance, complying with **FBC 5th Edition (2014)** and **FBC 6th Edition (2017)**, dated 08/16/17, issued by manufacturer, signed and sealed by A. Lynn Miller, P.E.
2. Statement letter of no financial interest, dated 04/28/17, issued by manufacturer, signed and sealed by Anthony Lynn Miller, P.E.
3. Laboratory compliance letter for Test Reports No. **FTL-7370, FTL-7371, FTL-7338** and **FTL-7339**, all issued by Fenestration Testing Laboratory, Inc., dated 05/23/13 and 05/25/13, all signed and sealed by Jorge A. Naya, Jr., P.E.
(Submitted under NOA No. 13-0815.03)

G. OTHERS

1. Notice of Acceptance No. **16-0126.04**, issued to PGT Industries, Inc. for their Series "FD-5555" Outswing PVC French Door w/ & w/o Sidelite and Transom - L.M.I., approved on 05/05/16 and expiring on 01/23/19.


Manuel Pérez, P.E.

Product Control Examiner
NOA No. 17-0504.05

Expiration Date: January 23, 2019
Approval Date: December 14, 2017

**SERIES FD-5555,
IMPACT-RESISTANT, VINYL, REINFORCED, OUTSWING
FRENCH DOOR & SIDELITE/TRANSOM (SLT/TR)**

DESIGN PRESSURE RATING	IMPACT RATING
VARIES, SEE SHEETS 4 & 5	RATED FOR LARGE & SMALL MISSILE IMPACT RESISTANCE

1) THIS PRODUCT HAS BEEN DESIGNED & TESTED TO COMPLY WITH THE REQUIREMENTS OF THE FLORIDA BUILDING CODE, INCLUDING THE HIGH VELOCITY HURRICANE ZONE (HVHZ).

2) SHUTTERS ARE NOT REQUIRED WHEN USED IN WIND-BORNE DEBRIS REGIONS.

3) FOR MASONRY APPLICATIONS IN MIAMI-DADE COUNTY, USE ONLY MIAMI-DADE COUNTY APPROVED MASONRY ANCHORS. MATERIALS USED FOR ANCHOR EVALUATIONS WERE SOUTHERN PINE, ASTM C90 CONCRETE MASONRY UNITS (CMU'S) OF NORMAL WEIGHT AND OF COMPRESSIVE STRENGTH OF MIN. 1.9 KSI AND CONCRETE WITH MIN. KSI PER ANCHOR TYPE.

4) MASONRY ANCHORS MAY BE USED INTO WOOD AS PER TABLE 1, THIS SHEET. ALL WOOD BUCKS LESS THAN 1-1/2" THICK ARE TO BE CONSIDERED 1X INSTALLATIONS. 1X WOOD BUCKS ARE OPTIONAL IF UNIT IS INSTALLED DIRECTLY TO SUBSTRATE. WOOD BUCKS DEPICTED AS 2X ARE 1-1/2" THICK OR GREATER. 1X AND 2X BUCKS (WHEN USED) SHALL BE DESIGNED TO PROPERLY TRANSFER LOADS TO THE STRUCTURE. WOOD BUCK DESIGN AND INSTALLATION IS THE RESPONSIBILITY OF THE ENGINEER OR ARCHITECT OF RECORD.

5) IF SILL IS TIGHT TO SUBSTRATE, GROUT IS NOT REQUIRED. IF USED, NON-SHRINK, NON-METALLIC GROUT AT 3.4 KSI MIN. PER ASTM C1107, (DONE BY OTHERS). MAX. 1/4" SHIM SPACE FOR GROUT WHICH MUST FULLY SUPPORT THE ENTIRE LENGTH OF THE SILL THAT IS NOT TIGHT TO THE SUBSTRATE, AND TRANSFER SHEAR LOAD TO SUBSTRATE. IF SUBSTRATE IS WOOD, 30# FELT PAPER OR MASTIC IS REQUIRED BETWEEN THE GROUT AND WOOD SUBSTRATE, OR AS APPROVED BY THE AUTHORITY HAVING JURISDICTION, COMPLYING WITH THE FBC.

6) ANCHOR EMBEDMENT TO BASE MATERIAL SHALL BE BEYOND WALL DRESSING OR STUCCO. USE ANCHORS OF SUFFICIENT LENGTH TO ACHIEVE THE EMBEDMENT SHOWN ON TABLE 1, THIS SHEET. NARROW JOINT SEALANT IS USED ON ALL FOUR CORNERS OF THE FRAME. EXTERIOR INSTALLATION ANCHORS SHOULD BE SEALED. OVERALL SEALING/FLASHING STRATEGY FOR WATER RESISTANCE OF INSTALLATION SHALL BE DONE BY OTHERS AND IS BEYOND THE SCOPE OF THESE INSTRUCTIONS.

7) MAX. 1/4" SHIMS ARE REQUIRED AT EACH ANCHOR LOCATION WHERE THE PRODUCT IS NOT FLUSH TO THE SUBSTRATE. USE SHIMS CAPABLE OF TRANSFERRING APPLIED LOADS. WOOD BUCKS, BY OTHERS, MUST BE SUFFICIENTLY ANCHORED TO RESIST LOADS IMPOSED ON THEM BY THE DOOR, SIDELITE OR TRANSOM.

8) DESIGN PRESSURES:

- A. NEGATIVE DESIGN LOADS BASED ON STRUCTURAL TEST PRESSURE, FRAME ANALYSIS AND GLASS PER ASTM E1300.
- B. POSITIVE DESIGN LOADS BASED ON WATER TEST PRESSURE, STRUCTURAL TEST PRESSURE, FRAME ANALYSIS AND GLASS PER ASTM E1300.
- C. DESIGN LOADS ARE BASED ON ALLOWABLE STRESS DESIGN, ASD.

9) THE ANCHORAGE METHODS SHOWN HAVE BEEN DESIGNED TO RESIST THE WINDLOADS CORRESPONDING TO THE REQUIRED DESIGN PRESSURE. THE 33-1/3% STRESS INCREASE HAS NOT BEEN USED IN THE DESIGN OF THIS PRODUCT. THE 1.6 LOAD DURATION FACTOR WAS USED FOR THE EVALUATION OF ANCHORS INTO WOOD. ANCHORS THAT COME INTO CONTACT WITH OTHER DISSIMILAR MATERIALS SHALL MEET THE REQUIREMENTS OF THE FLORIDA BUILDING CODE (INCLUDING ADOPTED STANDARDS) FOR CORROSION RESISTANCE.

10) ALL RIGID PVC AND RIGID CELLULAR PVC MANUFACTURED BY ENERGI FENESTRATION SOLUTIONS USA, INC. OR VISION EXTRUSIONS, LTD. HAS BEEN TESTED TO COMPLY WITH THE FLORIDA BUILDING CODE FOR PLASTICS.

11) SIZES MUST BE VERIFIED FOR COMPLIANCE WITH EGRESS REQUIREMENTS PER THE FLORIDA BUILDING CODE.

12) REFERENCES:

TEST REPORTS: FTL-7339, 7371, 8715, 8716 & 8717

NOA'S: ELCO ULTRACON, CRETEFLEX & AGGREGATOR ANCHOR NOA'S, ENERGI FENESTRATION SOLUTIONS USA, INC. OR VISION EXTRUSION, LTD. WHITE RIGID PVC NOA, VE 1000 TAN 202 AND LIGHTER SHADES (NON-WHITE) RIGID PVC NOA AND BROWN COATED (PAINTED OR LAMINATED) WHITE RIGID PVC NOA

13) THE 5555 SERIES IS ALSO KNOWN AS THE 555 SERIES.

Material	Min. F _y	Min. F _u
Steel Screw	92 ksi	120 ksi
18-8 Screw	60 ksi	95 ksi
410 Screw	90 ksi	110 ksi
Elco Aggre-Gator®	57 ksi	96 ksi
Elco UltraCon®	155 ksi	177 ksi
410 SS Elco CreteFlex®	127.4 ksi	189.7 ksi
6063-T5 Aluminum	16 ksi	22 ksi
A36 Steel	36 ksi	58 ksi
Gr. 33 Steel Stud	33 ksi	45 ksi

GUIDE TO SHEETS:

GENERAL NOTES.....	1
ELEVATIONS.....	2
GLAZING DETAILS.....	3
DESIGN PRESSURES.....	4-5
ANCHORS.....	4-6
INSTALLATION.....	7-9
EXTRUSION PROFILES.....	10
PARTS LIST.....	11-12
CORNER DETAILS.....	11
HARDWARE DETAILS.....	12

CODES / STANDARDS USED:

- 2017 FLORIDA BUILDING CODE (FBC), 6TH EDITION
- 2014 FLORIDA BUILDING CODE (FBC), 5TH EDITION
- ASTM E1300-09
- ANSI/AF&PA NDS-2015 FOR WOOD CONSTRUCTION
- ALUMINUM DESIGN MANUAL, ADM-2015
- AISI S100-12
- AISC 360-10

TABLE 1:

Group	Anchor	Substrate	Min. Edge Distance	Min. Embedment
A	3/16" Elco Ultracon	UngROUTED CMU, (ASTM C-90)	1"	1-1/4"
		UngROUTED CMU, (ASTM C-90)	2-1/2"	1-1/4"
B	#10 Steel SMS (G5) #10 410 S.S. SMS #10 18-8 S.S. SMS	P.T. Southern Pine (SG=0.55)	1/2"	1-3/8"
		Aluminum, 6063-T5*	5/16"	0.063"
		Steel, A36*	5/16"	0.063"
		Steel Stud, A653 Gr. 33*	5/16"	0.063"
	3/16" Elco Ultracon	P.T. Southern Pine (SG=0.55)	1/2"	1-3/8"
		Grouted CMU, (ASTM C-90)	2-1/2"	2-1/4"
		Concrete (min. 2.85 ksi)	1"	1-3/8"
		1/4" Elco Ultracon	UngROUTED CMU, (ASTM C-90)	2-1/2"
C	#12 Steel SMS (G5) #12 410 S.S. SMS #12 18-8 S.S. SMS	P.T. Southern Pine (SG=0.55)	9/16"	1-3/8"
		Aluminum, 6063-T5*	3/8"	0.071"
		Steel, A36*	3/8"	0.071"
		Steel Stud, A653 Gr. 33*	3/8"	0.071" (14 Ga)
	1/4" Elco Ultracon	P.T. Southern Pine (SG=0.55)	1"	1-3/8"
		Grouted CMU, (ASTM C-90)	2-1/2"	1-3/4"
		Concrete (min. 2.85 ksi)	1"	1-3/8"
		Concrete (min. 3.35 ksi)	1"	1-3/4"
	1/4" Elco 410 S.S. CreteFlex	UngROUTED CMU, (ASTM C-90)	2-1/2"	1-1/4"
		P.T. Southern Pine (SG=0.55)	1"	1-3/8"
	1/4" Elco 18-8 S.S. Aggre-Gator	Concrete (min. 3.27 ksi)	1-1/2"	1-3/8"
		UngROUTED CMU, (ASTM C-90)	4"	1-1/4"
D	1/4" Elco Ultracon	Concrete (min. 2.85 ksi)	2-1/2"	1-3/8"
	1/4" Elco410 S.S. CreteFlex	Concrete (min. 3.35 ksi)	2-1/2"	1-3/4"

* MIN. OF 3 THREADS BEYOND THE METAL SUBSTRATE.

TABLE 2:

Type #	Description	Where Used:
1	1-3/16" Lami. IG (1/8" T - 11/16" Air - 1/8" ANN - .090" PVB - 1/8" ANN)	Door
2	1-3/16" Lami. IG (3/16" T - 5/8" Air - 1/8" ANN - .090" PVB - 1/8" ANN)	Door
3	1-3/16" Lami. IG (1/8" T - 9/16" Air - 3/16" ANN - .090" SG - 3/16" ANN)	Sidelite/Transom
4	1-3/16" Lami. IG (3/16" T - 1/2" Air - 3/16" ANN - .090" SG - 3/16" ANN)	Sidelite/Transom
5	1-3/16" Lami. IG (1/8" T - 9/16" Air - 3/16" ANN - .090" PVB - 3/16" ANN)	Sidelite/Transom
6	1-3/16" Lami. IG (3/16" T - 1/2" Air - 3/16" ANN - .090" PVB - 3/16" ANN)	Sidelite/Transom
7	7/16" Lami. (3/16" ANN - .090" PVB - 3/16" ANN)	Door/Sidelite/Transom

"ANN" = ANNEALED

"T" = TEMPERED

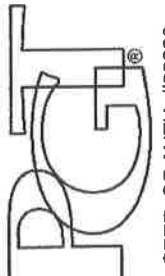
"PVB" = .090" TROSIFOL® PVB INTERLAYER BY KURARAY AMERICA, INC.

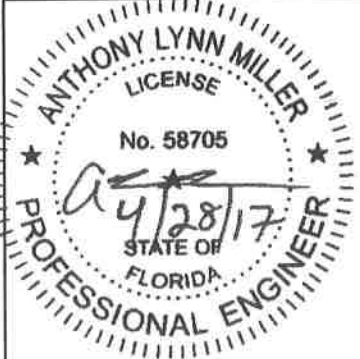
"SG" = .090" SENTRYGLAS® INTERLAYER BY KURARAY AMERICA, INC.

SEE SHEET 3 FOR SPACER INFORMATION.

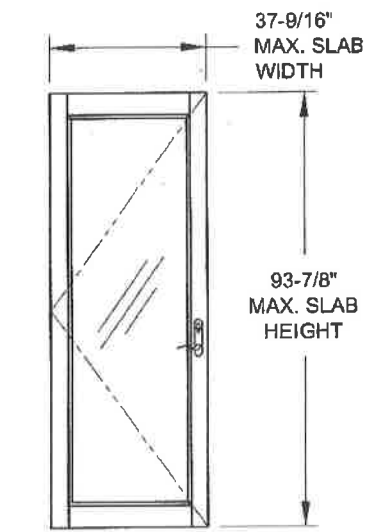
PRODUCT REVISED
as complying with the Florida
Building Code
Acceptance No. 17-0504-05
Expiration Date Jan 22, 2019
By Manuel Jara
Miami Dade Product Control

Revision: C) UPDATED TO FBC 2017,
ADDED SPACER DWGS.,
REVISED #22 - JR - 04/10/17

1070 TECHNOLOGY DRIVE N. VENICE, FL 34275 (941)-480-1600 COPYRIGHT © 2017 PGT INDUSTRIES, INC. ALL RIGHTS RESERVED	Date	5/17/13	J ROSOWSKI	MD-555.1	C
	By				
 CERT. OF AUTH. #29296 VINYL FRENCH DOOR AND SLT/TR GENERAL NOTES FD-5555	Drawn		1 OF 12	1 OF 12	1 OF 12
	Sheet	NTS			
Series Desc.		Title		1 OF 12	


 ANTHONY LYNN MILLER
 LICENSE
 No. 58705
 STATE OF FLORIDA
 PROFESSIONAL ENGINEER
 A. LYNN MILLER, P.E.
 P.E.# 58705

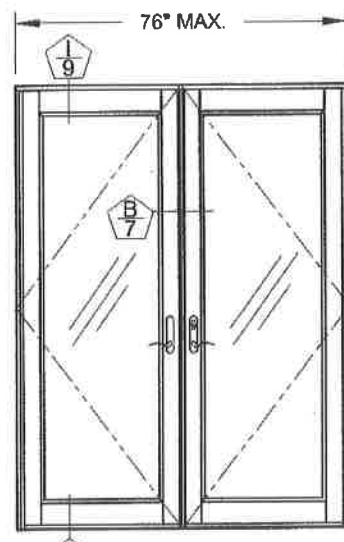
EXAMPLE CONFIGURATIONS



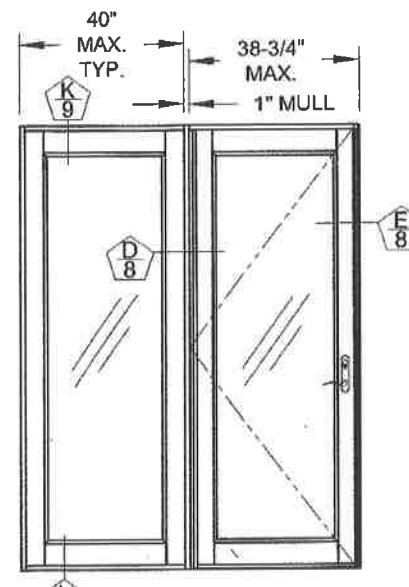
TYP. DOOR SLAB



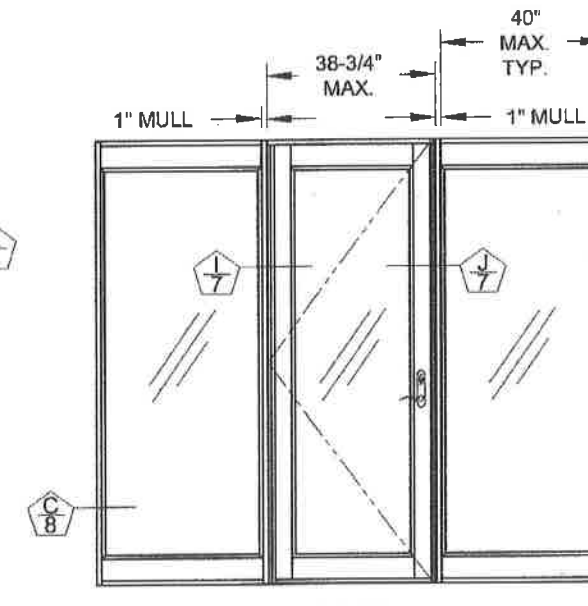
X



XX

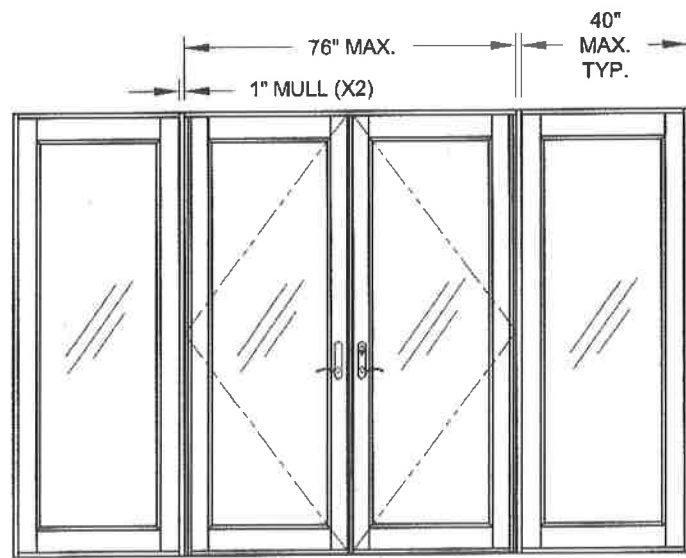


OIX (SHOWN) OR XIO
(WIDE STILES AND WIDE RAILS SHOWN ON SIDELITES)

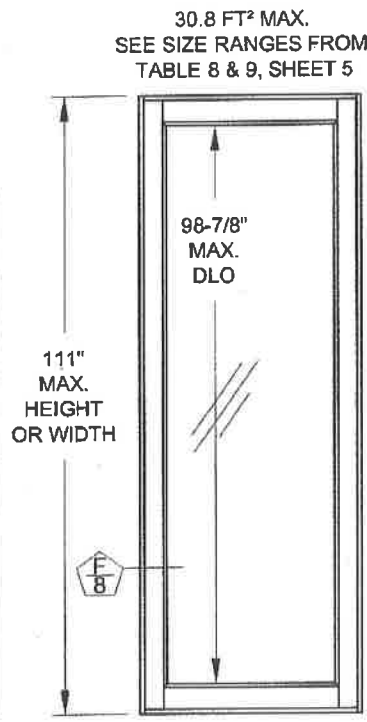


OIXIO
(NARROW STILES AND WIDE RAILS SHOWN ON SIDELITES)

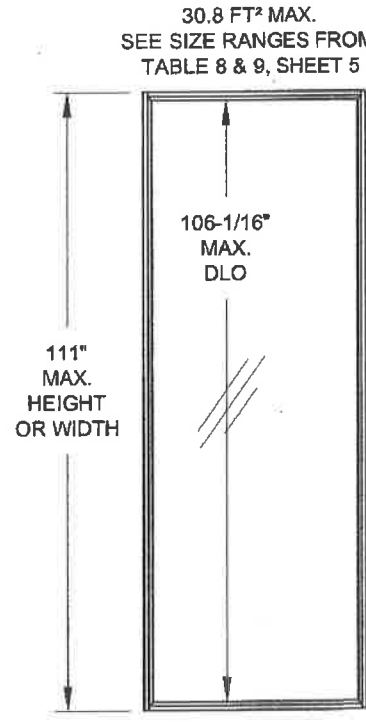
DETAIL SHEET #



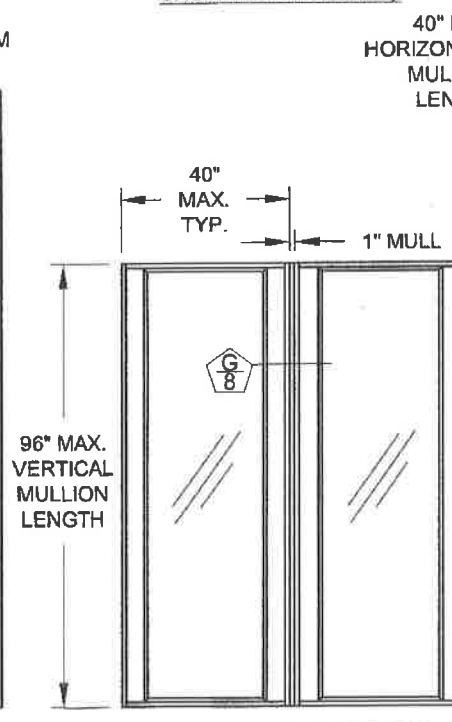
OIXXIO
(WIDE STILES AND WIDE RAILS SHOWN ON SIDELITES)



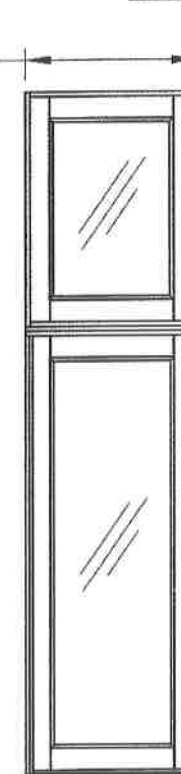
SINGLE O
(WIDE STILES AND WIDE RAILS SHOWN ON SIDELITES)



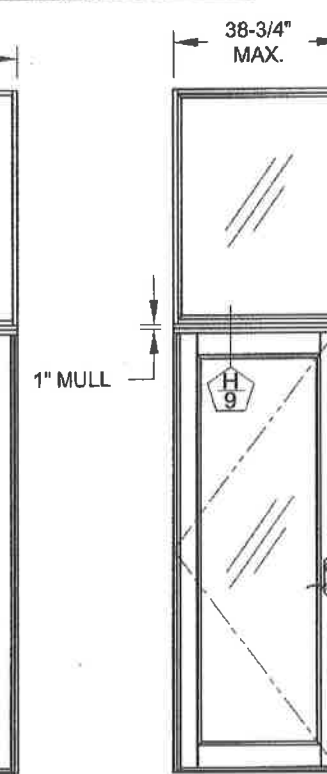
SINGLE O
(NARROW STILES AND NARROW RAILS SHOWN ON SIDELITES)



OIO (MAXIMUM OF 2 MULLED SIDELITES)
(WIDE STILES AND NARROW RAILS SHOWN ON SIDELITES)



O/O WITH HORIZONTAL MULLION
(WIDE STILES AND WIDE RAILS SHOWN ON SIDELITE & TRANSOM)



O/X WITH HORIZONTAL MULLION
(NARROW STILES AND NARROW RAILS SHOWN ON TRANSOM)

- NOTES:**
- 1) SINGLE DOORS MAY BE LEFT OR RIGHT-HANDED.
 - 2) MULLIONS SHOWN ARE STANDARD 1" FRENCH DOOR MULLIONS PER THIS NOA.
 - 3) MULLED CONFIGURATIONS NOT SHOWN MAY BE POSSIBLE USING OTHER MULLION TYPES, SEE SEPARATE NOA.
 - 4) FRENCH DOOR MULLION IS LIMITED TO 96" IN VERTICAL APPLICATIONS AND 40" IN HORIZONTAL APPLICATIONS.
 - 5) NARROW OR WIDE STILES AND RAILS MAY BE MIXED WITHIN THE SAME SLT/TR OR MULLED ASSEMBLY.
 - 6) ADDITIONAL CONFIGURATIONS USING THE 1" FRENCH DOOR MULLION ARE POSSIBLE. USE THE ABOVE DRAWINGS AS A REFERENCE FOR SIZE LIMITATIONS.

PRODUCT REVISED as complying with the Florida Building Code
 Acceptance No. 17-0514-05
 Expiration Date: 12-23-2019
 By: *Manuel*
 Miami Trade Product Control

Revision C) NO CHANGES THIS SHEET
 JR - 04/10/17

1070 TECHNOLOGY DRIVE
 N. VENICE, FL 34275
 (941)-480-1600

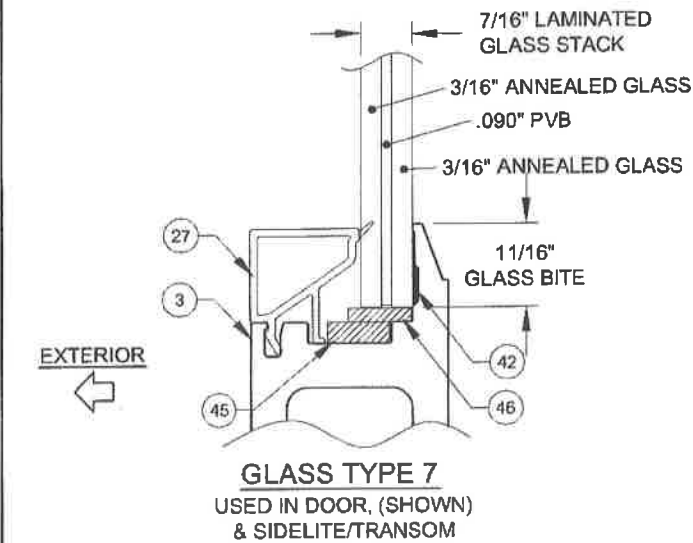
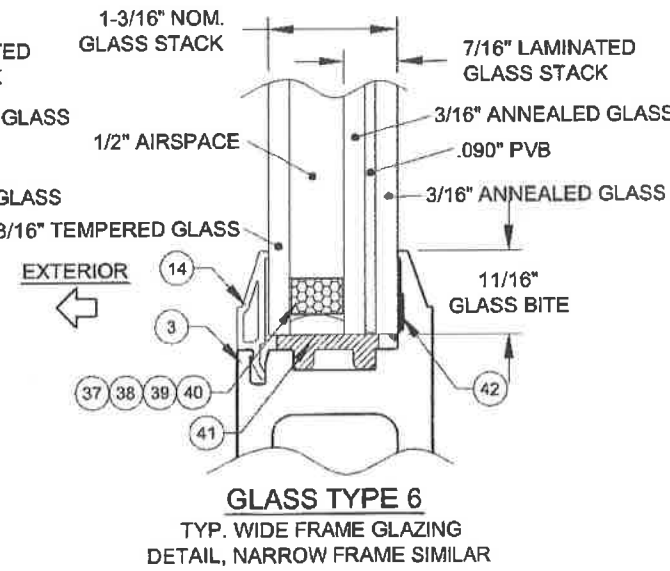
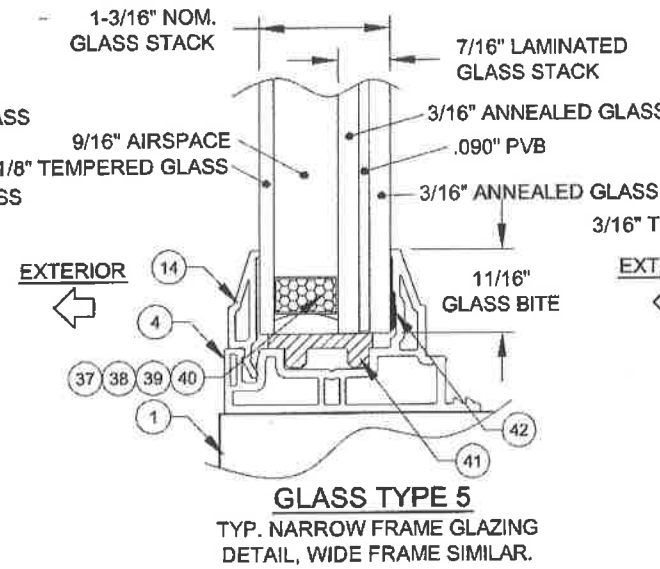
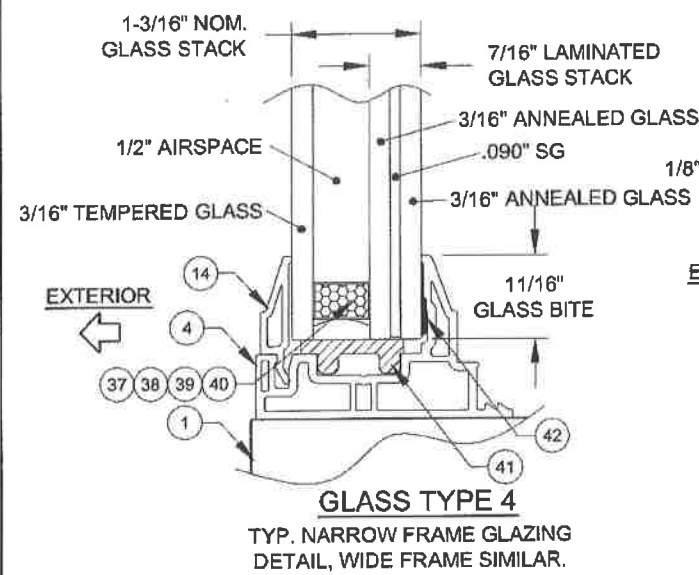
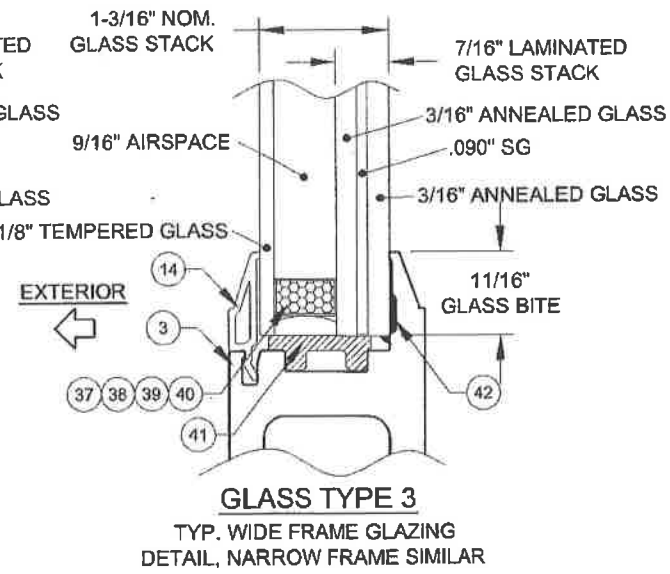
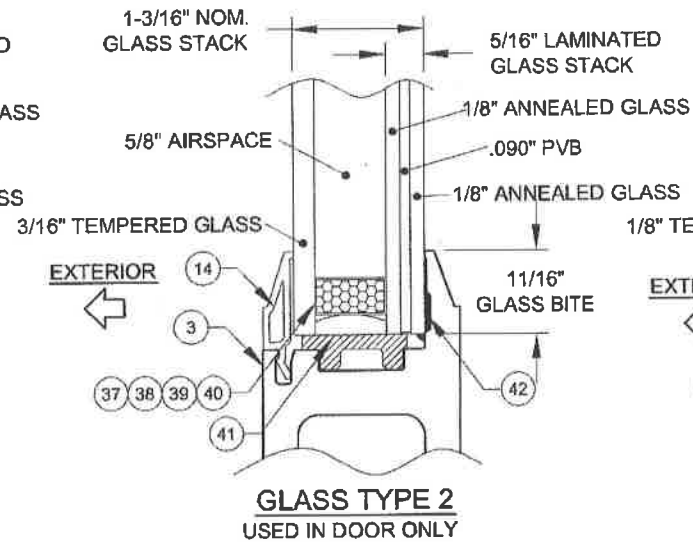
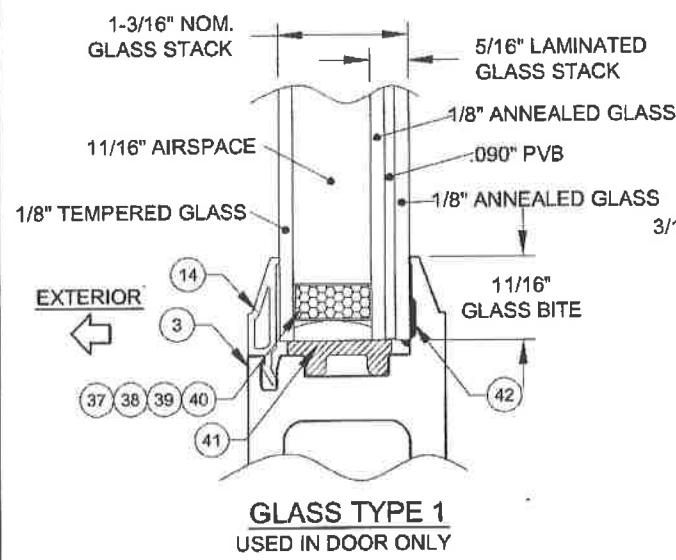


COPYRIGHT © 2017, PGT INDUSTRIES, INC.
 ALL RIGHTS RESERVED

VINYL FRENCH DOOR AND SLT/TR	Date	5/7/13	C
	Rev.		
EXAMPLE CONFIGURATIONS	Drawn By	J ROSOWSKI	MD-555.1
	DWG No.		
FD-5555	Scale	2 OF 12	
	Series	NTS	

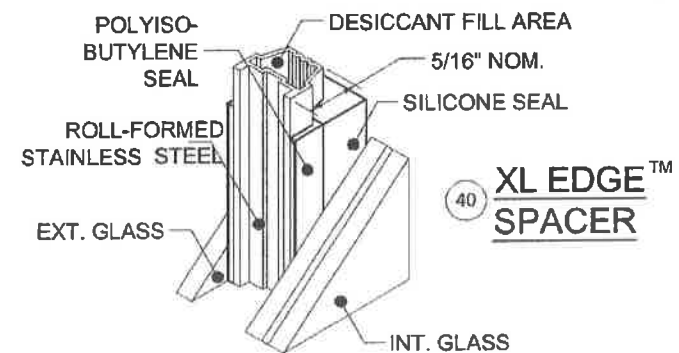
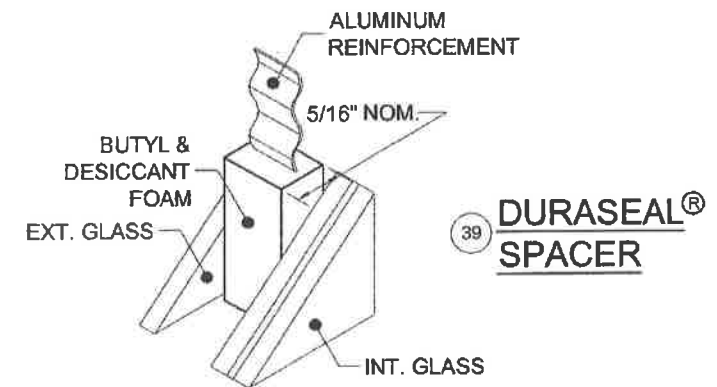
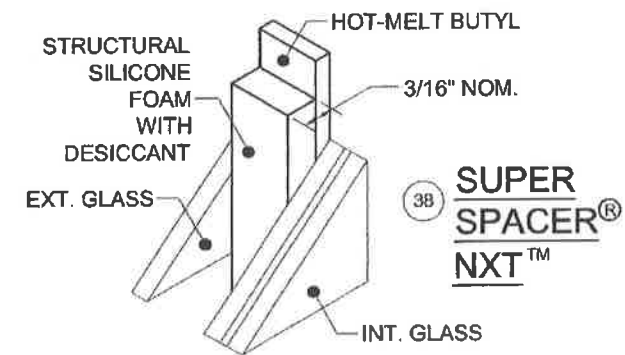
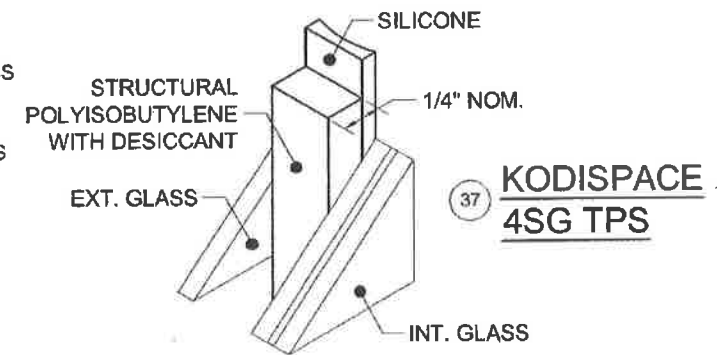
ANTHONY LYNN MILLER
 LICENSE No. 58705
 PROFESSIONAL ENGINEER
 STATE OF FLORIDA
 A. LYNN MILLER, P.E.
 P.E.# 58705

GLAZING DETAILS



"PVB" = .090" TROSIFOL® PVB BY KURARAY AMERICA, INC.
"SG" = .090" SENTRYGLAS® INTERLAYER BY KURARAY AMERICA, INC.

REFERENCE TEST REPORTS: FTL-8717, 8968 & 8970



PRODUCT REVISED
as complying with the Florida
Building Code
Acceptance No. 17-0904.05
Expiration Date: Jan 28, 2019
By: *Manuel J...*
Miami Dade Product Control

Revision: C) ADDED SPACER DRAWINGS - JR - 04/10/17

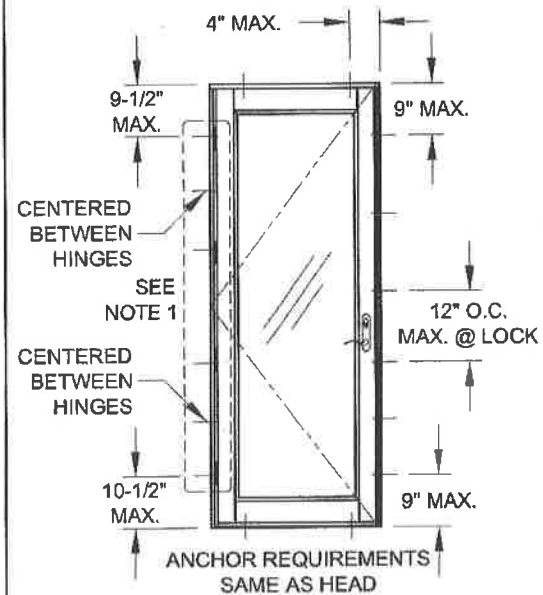
1070 TECHNOLOGY DRIVE N. VENICE, FL 34275 (941)-480-1600	COPYRIGHT © 2017 PGT INDUSTRIES, INC. ALL RIGHTS RESERVED	Date	5/7/13	Rev.	C
		Drawn By	J ROSOWSKI	No.	MD-555.1
		DWC		Sheet	3 OF 12
		Scale	NTS	Series	FD-5555
CERT. OF AUTH. #29296		VINYL FRENCH DOOR AND SLT/FR		GLAZING DETAILS	

ANTHONY LYNN MILLER
LICENSE
No. 58705
4/28/17
STATE OF FLORIDA
PROFESSIONAL ENGINEER

A. LYNN MILLER, P.E.
P.E.# 58705

SINGLE DOOR INSTALLATION

(X)



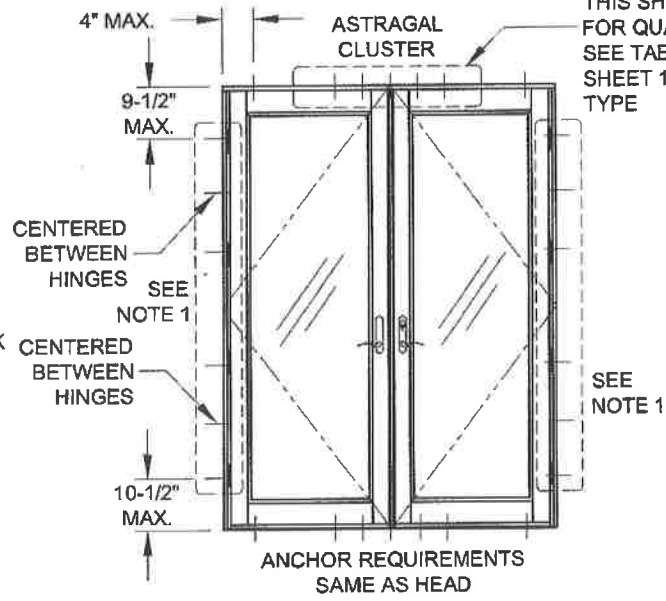
X

TABLE 3:
X & XX Door: Design Pressure

+/-50.0 PSF	Glass Type 1
+/-70.0 PSF	Glass Types 2 & 7

DOUBLE DOOR INSTALLATION

(XX)



XX, (USING ASTRAGAL)

TABLE 4:
XX Door: Astragal Cluster Anchors Required @ Head & Sill

Door Height (in)	Door Width (in)							
	48		60		72		76	
	Anchor Group B-D	Anchor Group B	Anchor Group C&D	Anchor Group B	Anchor Group C&D	Anchor Group B	Anchor Group C	Anchor Group D
80	4	4	4	5	4	5	4	4
96	4	5	4	6	4	6	5	4

4" O.C. MIN., SEE TABLE 4, THIS SHEET, FOR QUANTITY, SEE TABLE 1, SHEET 1 FOR TYPE

SEE NOTE 1

SIDELITE-TO-SIDELITE MULLION INSTALLATION

(O|O)

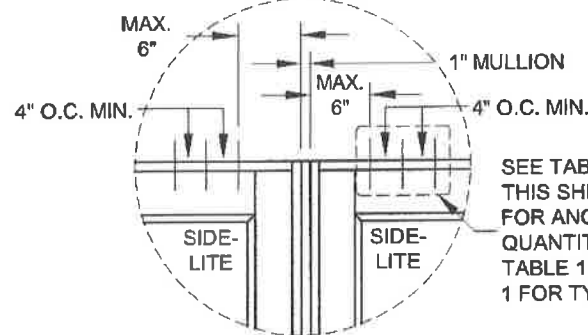
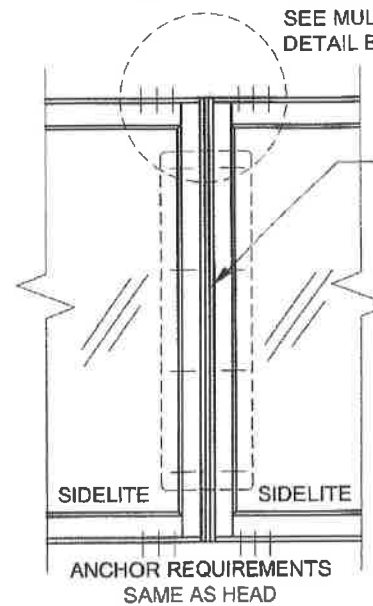
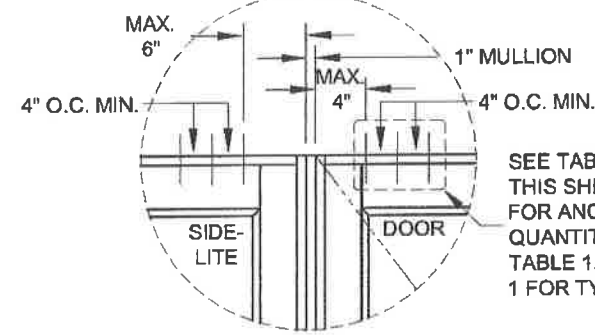
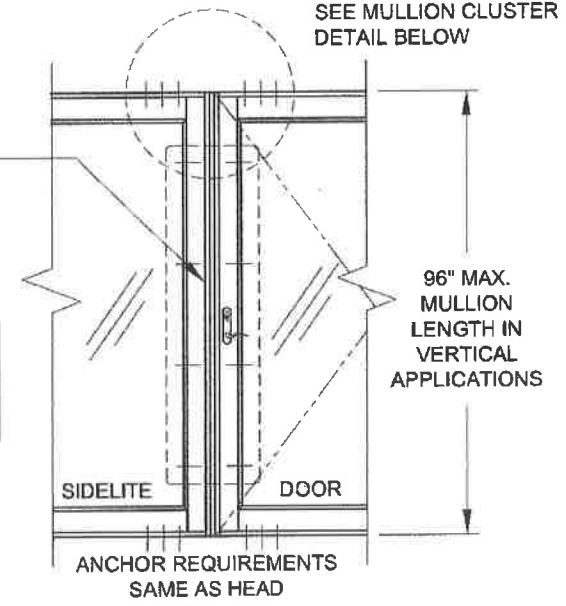


TABLE 5:
VERTICAL MULLION DESIGN PRESSURE

+/-70.0 PSF

SEE TABLE 6, THIS SHEET, FOR ANCHOR QUANTITY, SEE TABLE 1, SHEET 1 FOR TYPE

SIDELITE-TO-DOOR MULLION INSTALLATION (X|O, O|X, X|X, O|X|O, X|O|X, O|XX|O, ETC)



96" MAX. MULLION LENGTH IN VERTICAL APPLICATIONS

SEE TABLE 6, THIS SHEET, FOR ANCHOR QUANTITY, SEE TABLE 1, SHEET 1 FOR TYPE

TABLE 6:
Anchors Required for a Vertical Mullion (each mullion end)

Mullion Height (in)	Door or Sidelite/Transom Width (in)											
	12		24		32		3B-3/4		40		40	
	Anchor Group B-D	Anchor Group B&C	Anchor Group D	Anchor Group B	Anchor Group C	Anchor Group D	Anchor Group B	Anchor Group C	Anchor Group D	Anchor Group B	Anchor Group C	Anchor Group D
Door	N/A	2	1	2	2	1	3	2	1	N/A	N/A	N/A
SLT/TR	1	2	1	2	2	1	3	2	1	3	2	1
Door	N/A	2	1	3	2	1	3	3	2	N/A	N/A	N/A
SLT/TR	1	2	1	3	2	1	3	3	2	3	3	2

FOR "O|XX|O" AND SIMILAR CONFIGURATIONS CONTAINING A DOUBLE DOOR (XX), USE ONLY HALF OF THE FRAME WIDTH OF THE DOUBLE DOOR WHEN USING THIS TABLE.

TRANSOM-TO-DOOR (X/O) OR TRANSOM-TO-SIDELITE (O/O) MULLION ATTACHMENT & INSTALLATION

ATTACH DOORS, SIDELITES & TRANSOMS TO THE MULLION AS PER THE INSTRUCTION OF THE INDIVIDUAL PRODUCT

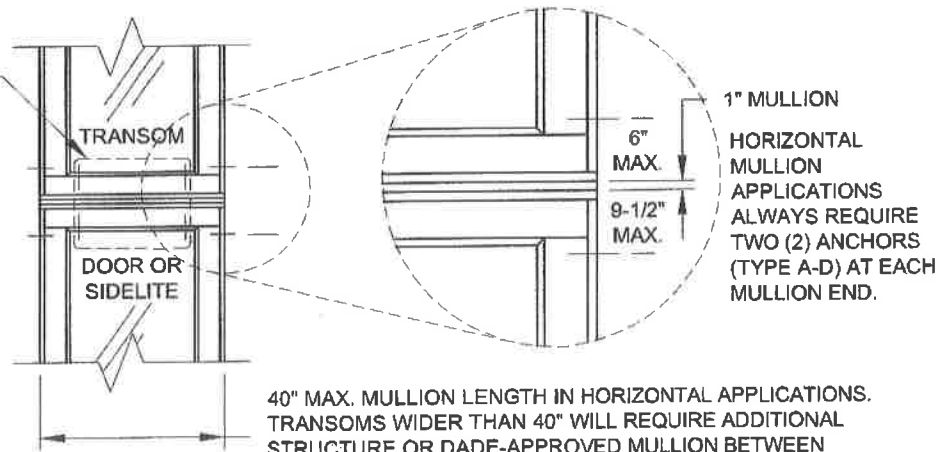


TABLE 7:
HORIZONTAL MULLION DESIGN PRESSURE

+/-70.0 PSF

40" MAX. MULLION LENGTH IN HORIZONTAL APPLICATIONS. TRANSOMS WIDER THAN 40" WILL REQUIRE ADDITIONAL STRUCTURE OR DADE-APPROVED MULLION BETWEEN TRANSOM AND DOOR/SIDELITE.

1" MULLION HORIZONTAL MULLION APPLICATIONS ALWAYS REQUIRE TWO (2) ANCHORS (TYPE A-D) AT EACH MULLION END.

INSTRUCTIONS:

- 1) DOOR HINGE JAMBS OF ALL HEIGHTS TO ALWAYS BE ANCHORED WITH SIX ANCHORS. SEE TABLE 1, SHEET 1, FOR ALL APPROVED ANCHORS. FOUR OF THE SIX ANCHORS MUST BE INSTALLED THROUGH THE HINGES, ONE AT EACH HINGE LOCATION (RECOMMENDED #10 FLATHEAD SMS OR 3/16" FLATHEAD ULTRACON FOR EACH HINGE ANCHOR).
- 2) FOR A MULLED UNIT, DETERMINE THE DESIGN PRESSURE OF EACH COMPONENT IN THAT CONFIGURATION. FOR EXAMPLE, ON AN "X|O" CONFIGURATION, THE DP FOR THE DOOR, THE MULLION AND THE SIDELITE MUST EACH BE DETERMINED. THE LOWEST DP APPLIES TO THE ENTIRE ASSEMBLY.

NOTES:

- 1) SINGLE DOOR MAY BE LEFT OR RIGHT-HANDED.
- 2) MULLIONS SHOWN ARE STANDARD 1" FRENCH DOOR MULLIONS.
- 3) MULLED CONFIGURATIONS NOT SHOWN MAY BE POSSIBLE USING OTHER MULLION TYPES, SEE SEPARATE NOA. THE LOWEST COMPONENT DP IS TO BE THE OVERALL ASSEMBLY DP.
- 4) FRENCH DOOR MULLION IS LIMITED TO 96" IN VERTICAL APPLICATIONS AND 40" IN HORIZONTAL APPLICATIONS.
- 5) NARROW OR WIDE STILES AND RAILS MAY BE MIXED WITHIN THE SAME SIDELITE/TRANSOM OR MULLED ASSEMBLY.
- 6) FOR SIZES NOT SHOWN, ROUND UP TO THE NEXT AVAILABLE SHORT OR LONG DIMENSION.

PRODUCT REVISED as complying with the Florida Building Code Acceptance No. 17-0504.05 Expiration Date Jan 23, 2019
By *Manuel J...*
Miami Trade Product Control

Revision C) NO CHANGES THIS SHEET JR - 04/10/17

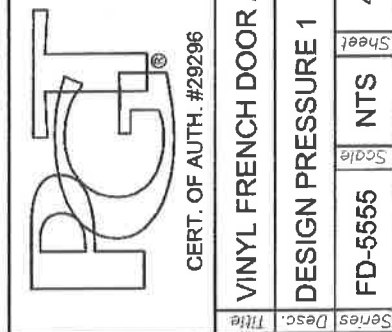
1070 TECHNOLOGY DRIVE
N. VENICE, FL 34275
(941)-480-1600

COPYRIGHT © 2017 PGT INDUSTRIES, INC. ALL RIGHTS RESERVED

DATE: 5/7/13
BY: J ROSOWSKI
NO. DWG: 4 OF 12
SHEET: NTS
SCALE: FD-5555

VINYL FRENCH DOOR AND SLT/TR
DESIGN PRESSURE 1

MD-555.1



ANTHONY LYNN MILLER
LICENSE
No. 58705
STATE OF FLORIDA
PROFESSIONAL ENGINEER
A. LYNN MILLER, P.E.
P.E.# 58705

TABLE 8:

		Sidelite/Transom Design Pressure (+/-, psf) for Glass Types 3 & 4															
		Long Side (in)															
		63-3/16	66-5/8	68	70	72	76	78	82	84	88	92	96	98	104	108	111
Short Side (in)	24	+/-70	+/-70	+/-70	+/-70	+/-70	+/-70	+/-70	+/-70	+/-70	+/-70	+/-70	+/-70	+/-70	+/-70	+/-70	+/-70
	28	+/-70	+/-70	+/-70	+/-70	+/-70	+/-70	+/-70	+/-70	+/-70	+/-70	+/-70	+/-70	+/-70	+/-70	+/-70	+/-70
	32	+/-70	+/-70	+/-70	+/-70	+/-70	+/-70	+/-70	+/-70	+/-70	+/-70	+/-70	+/-70	+/-70	+/-70	+/-70	+/-70
	36	+/-70	+/-70	+/-70	+/-70	+/-70	+/-70	+/-70	+/-70	+/-70	+/-70	+/-70	+/-70	+/-70	+/-70	+/-70	+/-70
	38-3/4	+/-70	+/-70	+/-70	+/-70	+/-70	+/-70	+/-70	+/-70	+/-70	+/-70	+/-70	+/-70	+/-70	+/-70	+/-70	+/-70
	40	+/-70	+/-70	+/-70	+/-70	+/-70	+/-70	+/-70	+/-70	+/-70	+/-70	+/-70	+/-70	+/-70	+/-70	+/-70	+/-70
	42	+/-70	+/-70	+/-70	+/-70	+/-70	+/-70	+/-70	+/-70	+/-70	+/-70	+/-70	+/-70	+/-70	+/-70	+/-70	+/-70
	44	+/-70	+/-70	+/-70	+/-70	+/-70	+/-70	+/-70	+/-70	+/-70	+/-70	+/-70	+/-70	+/-70	+/-70	+/-70	+/-70
	46	+/-70	+/-70	+/-70	+/-70	+/-70	+/-70	+/-70	+/-70	+/-70	+/-70	+/-70	+/-70	+/-70	+/-70	+/-70	+/-70
	48	+/-70	+/-70	+/-70	+/-70	+/-70	+/-70	+/-70	+/-70	+/-70	+/-70	+/-70	+/-70	+/-70	+/-70	+/-70	+/-70
	50	+/-70	+/-70	+/-70	+/-70	+/-70	+/-70	+/-70	+/-70	+/-70	+/-70	+/-70	+/-70	+/-70	+/-70	+/-70	+/-70
	52	+/-70	+/-70	+/-70	+/-70	+/-70	+/-70	+/-70	+/-70	+/-70	+/-70	+/-70	+/-70	+/-70	+/-70	+/-70	+/-70
	54	+/-70	+/-70	+/-70	+/-70	+/-70	+/-70	+/-70	+/-70	+/-70	+/-70	+/-70	+/-70	+/-70	+/-70	+/-70	+/-70
	56	+/-70	+/-70	+/-70	+/-70	+/-70	+/-70	+/-70	+/-70	+/-70	+/-70	+/-70	+/-70	+/-70	+/-70	+/-70	+/-70
	58	+/-70	+/-70	+/-70	+/-70	+/-70	+/-70	+/-70	+/-70	+/-70	+/-70	+/-70	+/-70	+/-70	+/-70	+/-70	+/-70
	60	+/-70	+/-70	+/-70	+/-70	+/-70	+/-70	+/-70	+/-70	+/-70	+/-70	+/-70	+/-70	+/-70	+/-70	+/-70	+/-70
62	+/-70	+/-70	+/-70	+/-70	+/-70	+/-70	+/-70	+/-70	+/-70	+/-70	+/-70	+/-70	+/-70	+/-70	+/-70	+/-70	
63-3/16	+/-70	+/-70	+/-70	+/-70	+/-70	+/-70	+/-70	+/-70	+/-70	+/-70	+/-70	+/-70	+/-70	+/-70	+/-70	+/-70	
66-5/8	+/-70	+/-70	+/-70	+/-70	+/-70	+/-70	+/-70	+/-70	+/-70	+/-70	+/-70	+/-70	+/-70	+/-70	+/-70	+/-70	

SIDELITE/TRANSOM INSTALLATION (O)

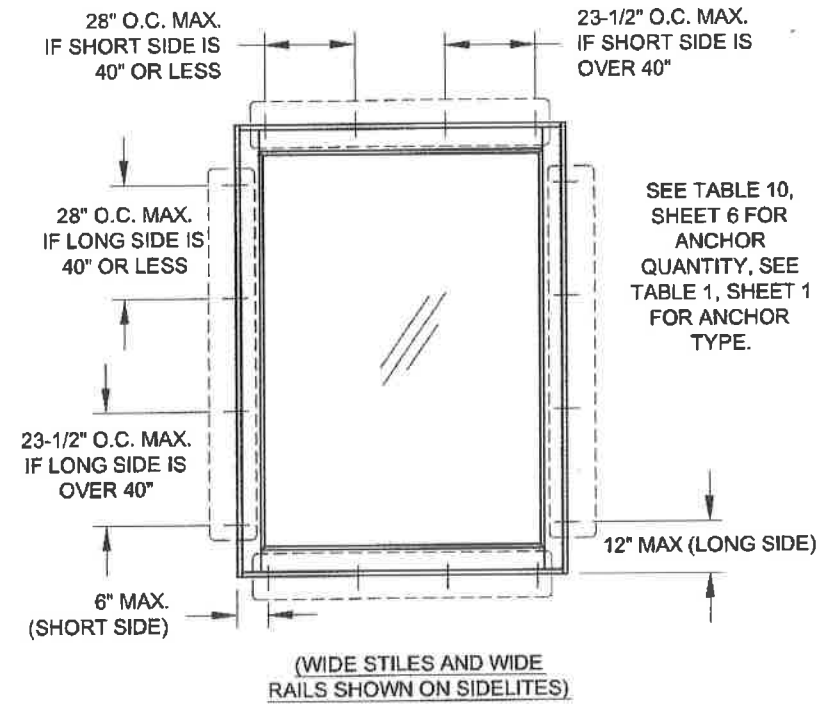
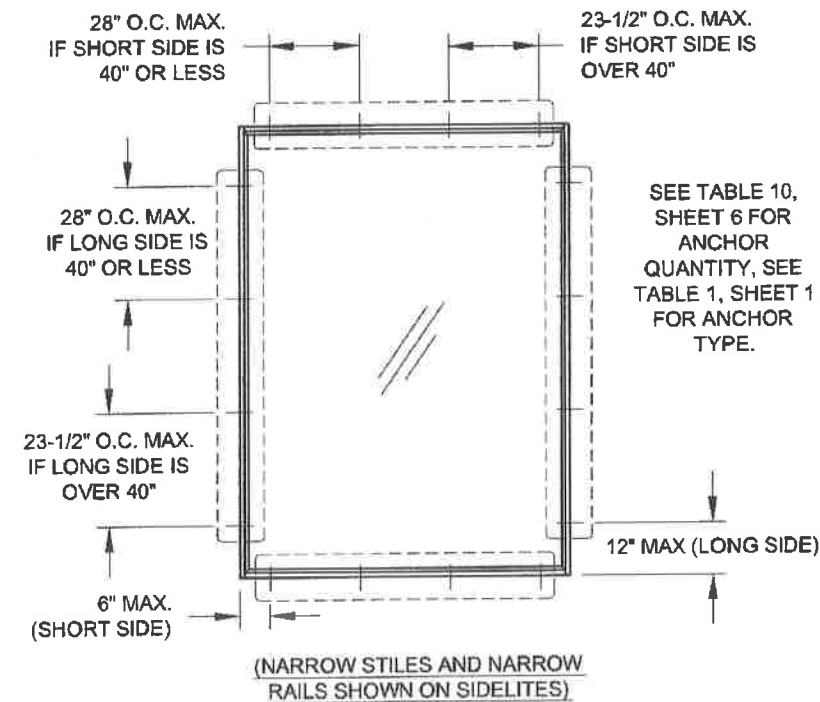


TABLE 9:

		Sidelite/Transom Design Pressure, psf for Glass Types 5, 6 & 7															
		Long Side (in)															
		63-3/16	66-5/8	68	70	72	76	78	82	84	88	92	96	98	104	108	111
Short Side (in)	24	+/-70	+/-70	+/-70	+/-70	+/-70	+/-70	+/-70	+/-70	+/-70	+/-70	+/-70	+/-70	+/-70	+/-70	+/-70	+/-70
	28	+/-70	+/-70	+/-70	+/-70	+/-70	+/-70	+/-70	+/-70	+/-70	+/-70	+/-70	+/-70	+/-70	+/-70	+/-70	+/-70
	32	+/-70	+/-70	+/-70	+/-70	+/-70	+/-70	+/-70	+/-70	+/-70	+/-70	+/-70	+/-70	+/-70	+/-70	+/-70	+/-70
	36	+/-70	+/-70	+/-70	+/-70	+/-70	+/-70	+/-70	+/-70	+/-70	+/-70	+/-70	+/-70	+/-70	+/-70	+/-70	+/-70
	38-3/4	+/-70	+/-70	+/-70	+/-70	+/-70	+/-70	+/-70	+/-70	+/-70	+/-70	+/-70	+/-70	+/-70	+/-70	+/-70	+/-70
	40	+/-70	+/-70	+/-70	+/-70	+/-70	+/-70	+/-70	+/-70	+/-70	+/-70	+/-70	+/-70	+/-70	+/-70	+/-70	+/-70
	42	+/-70	+/-70	+/-70	+/-70	+/-70	+/-70	+/-70	+/-70	+/-70	+/-70	+/-70	+/-70	+/-70	+/-70	+/-70	+/-70
	44	+/-70	+/-70	+/-70	+/-70	+/-70	+/-70	+/-70	+/-70	+/-70	+/-70	+/-70	+/-70	+/-70	+/-70	+/-70	+/-70
	46	+/-70	+/-70	+/-70	+/-70	+/-70	+/-70	+/-70	+/-70	+/-70	+/-70	+/-70	+/-70	+/-70	+/-70	+/-70	+/-70
	48	+/-70	+/-70	+/-70	+/-70	+/-70	+/-70	+/-70	+/-70	+/-70	+/-70	+/-70	+/-70	+/-70	+/-70	+/-70	+/-70
	50	+/-70	+/-70	+/-70	+/-70	+/-70	+/-70	+/-70	+/-70	+/-70	+/-70	+/-70	+/-70	+/-70	+/-70	+/-70	+/-70
	52	+/-70	+/-70	+/-70	+/-70	+/-70	+/-70	+/-70	+/-70	+/-70	+/-70	+/-70	+/-70	+/-70	+/-70	+/-70	+/-70
	54	+/-70	+/-70	+/-70	+/-70	+/-70	+/-70	+/-70	+/-70	+/-70	+/-70	+/-70	+/-70	+/-70	+/-70	+/-70	+/-70
	56	+/-70	+/-70	+/-70	+/-70	+/-70	+/-70	+/-70	+/-70	+/-70	+/-70	+/-70	+/-70	+/-70	+/-70	+/-70	+/-70
	58	+/-70	+/-70	+/-70	+/-70	+/-70	+/-70	+/-70	+/-70	+/-70	+/-70	+/-70	+/-70	+/-70	+/-70	+/-70	+/-70
	60	+/-70	+/-70	+/-70	+/-70	+/-70	+/-70	+/-70	+/-70	+/-70	+/-70	+/-70	+/-70	+/-70	+/-70	+/-70	+/-70
62	+/-70	+/-70	+/-70	+/-70	+/-70	+/-70	+/-70	+/-70	+/-70	+/-70	+/-70	+/-70	+/-70	+/-70	+/-70	+/-70	
63-3/16	+/-70	+/-70	+/-70	+/-70	+/-70	+/-70	+/-70	+/-70	+/-70	+/-70	+/-70	+/-70	+/-70	+/-70	+/-70	+/-70	



NOTES:
 1) NARROW OR WIDE STILES AND RAILS MAY BE MIXED WITHIN THE SAME SIDELITE/TRANSOM OR MULLED ASSEMBLY.
 2) SIDELITE/TRANSOM MAY BE A SINGLE, STAND-ALONE UNIT.
 3) FOR SIZES NOT SHOWN, ROUND UP TO THE NEXT AVAILABLE SHORT OR LONG DIMENSION.

PRODUCT REVISED as complying with the Florida Building Code
 Acceptance No. 17-2504-05
 Expiration Date Jan. 23, 2019
 By *Manuel Perez*
 Miami Door Product Control

Revision C) NO CHANGES THIS SHEET
 JR - 04/10/17

1070 TECHNOLOGY DRIVE
 N. VENICE, FL 34275
 (941)-480-1600

COPYRIGHT © 2017 PGT INDUSTRIES, INC.
 ALL RIGHTS RESERVED

5/7/13
 J ROSOWSKI
 MD-555.1

VINYL FRENCH DOOR AND SLTTR
 DESIGN PRESSURE 2
 FD-5555

5 OF 12
 NTS

ANTHONY LYNN MILLER
 LICENSE No. 58705
 4/28/17
 STATE OF FLORIDA
 PROFESSIONAL ENGINEER

A. LYNN MILLER, P.E.
 P.E.# 58705

TABLE 10:

		Sidelite/Transom Anchor Quantity																															
		Long Side (in)																															
		63-3/16		66-5/8		68		70		72		76		78		82		84		88		92		96		98		104		108		111	
Anchor Group A	Anchor Groups B-D	Anchor Group A	Anchor Groups B-D	Anchor Group A	Anchor Groups B-D	Anchor Group A	Anchor Groups B-D	Anchor Group A	Anchor Groups B-D	Anchor Group A	Anchor Groups B-D	Anchor Group A	Anchor Groups B-D	Anchor Group A	Anchor Groups B-D	Anchor Group A	Anchor Groups B-D	Anchor Group A	Anchor Groups B-D	Anchor Group A	Anchor Groups B-D	Anchor Group A	Anchor Groups B-D	Anchor Group A	Anchor Groups B-D	Anchor Group A	Anchor Group B	Anchor Groups C-D	Anchor Group A	Anchor Groups B-D	Anchor Group A	Anchor Groups B-D	
24	Short Side	2	2	2	2	2	2	2	2	2	2	2	2	2	2	2	2	2	2	2	2	2	2	2	2	2	2	2	2	2	2		
	Long Side	4	4	4	4	4	4	4	4	4	4	4	4	4	4	5	5	5	5	5	5	5	5	5	5	6	5	5	6	6	6		
28	Short Side	2	2	2	2	2	2	2	2	2	2	2	2	2	2	2	2	2	2	2	2	2	2	2	2	2	2	2	2	2	2		
	Long Side	4	4	4	4	4	4	4	4	4	4	4	4	4	5	5	5	5	5	5	6	5	6	5	6	5	5	7	6	7	6		
32	Short Side	2	2	2	2	2	2	2	2	2	2	2	2	2	2	2	2	2	2	2	2	2	2	2	2	2	2	2	2	2	2		
	Long Side	4	4	4	4	4	4	4	4	4	4	4	4	4	5	4	5	4	5	4	5	4	6	5	6	5	7	5	7	6	8	6	
36	Short Side	2	2	2	2	2	2	2	2	2	2	2	2	2	2	2	2	2	2	2	2	2	2	2	2	2	2	2	2	2	2		
	Long Side	4	4	5	4	5	4	5	4	5	4	5	4	5	4	5	4	6	4	6	5	6	5	7	5	7	5	8	5	5	7	6	8
38-3/4	Short Side	2	2	2	2	2	2	2	2	2	2	2	2	2	2	2	2	2	2	2	2	2	2	2	2	2	2	2	2	2	2	2	
	Long Side	4	4	5	4	5	4	5	4	5	4	6	4	6	4	6	4	6	5	7	5	7	5	7	5	8	5	5	8	6	9	6	6
40	Short Side	2	2	2	2	2	2	2	2	2	2	2	2	2	2	2	2	2	2	2	2	2	2	2	2	2	2	2	2	2	2	2	
	Long Side	4	4	5	4	5	4	5	4	5	4	6	4	6	4	6	5	7	5	7	5	7	5	8	5	8	5	5	9	6	9	6	6
42	Short Side	3	3	3	3	3	3	3	3	3	3	3	3	3	3	3	3	3	3	3	3	3	3	3	3	3	3	3	3	3	3	3	
	Long Side	5	4	5	4	5	4	5	4	5	4	6	4	6	4	6	4	7	5	7	5	7	5	8	5	8	5	8	6	5			
44	Short Side	3	3	3	3	3	3	3	3	3	3	3	3	3	3	3	3	3	3	3	3	3	3	3	3	3	3	3	3	3	3	3	
	Long Side	5	4	5	4	5	4	5	4	6	4	6	4	6	4	7	4	7	5	7	5	7	5	8	5	8	5	8	6	5			
46	Short Side	3	3	3	3	3	3	3	3	3	3	3	3	3	3	3	3	3	3	3	3	3	3	3	3	3	3	3	3	3	3	3	
	Long Side	5	4	5	4	5	4	6	4	6	4	6	4	6	4	7	4	7	5	7	5	7	5	8	5	8	5	8	6	5			
48	Short Side	3	3	3	3	3	3	3	3	3	3	3	3	3	3	3	3	3	3	3	3	3	3	3	3	3	3	3	3	3	3	3	
	Long Side	5	4	5	4	5	4	6	4	6	4	6	4	6	4	7	4	7	5	7	5	7	5	8	5	8	5	8	6	5			
50	Short Side	3	3	3	3	3	3	3	3	3	3	3	3	3	3	3	3	3	3	3	3	3	3	3	3	3	3	3	3	3	3	3	
	Long Side	5	4	5	4	5	4	6	4	6	4	6	4	6	4	7	4	7	5	7	5	7	5	8	5	8	5	8	6	5			
52	Short Side	4	3	4	3	4	3	4	3	4	3	4	3	4	3	4	3	4	3	4	3	4	3	4	3	4	3	4	3	4	3	4	
	Long Side	5	4	5	4	6	4	6	4	6	4	6	4	6	4	7	4	7	5	7	5	7	5	8	5	8	5	8	6	5			
54	Short Side	4	3	4	3	4	3	4	3	4	3	4	3	4	3	4	3	4	3	4	3	4	3	4	3	4	3	4	3	4	3	4	
	Long Side	5	4	5	4	6	4	6	4	6	4	6	4	6	4	7	4	7	5	7	5	7	5	8	5	8	5	8	6	5			
56	Short Side	4	3	4	3	4	3	4	3	4	3	4	3	4	3	4	3	4	3	4	3	4	3	4	3	4	3	4	3	4	3	4	
	Long Side	5	4	6	4	6	4	6	4	6	4	6	4	6	4	7	4	7	5	7	5	7	5	8	5	8	5	8	6	5			
58	Short Side	4	3	4	3	4	3	4	3	4	3	4	3	4	3	4	3	4	3	4	3	4	3	4	3	4	3	4	3	4	3	4	
	Long Side	5	4	6	4	6	4	6	4	6	4	6	4	6	4	7	4	7	5	7	5	7	5	8	5	8	5	8	6	5			
60	Short Side	5	4	5	4	5	4	5	4	5	4	5	4	5	4	5	4	5	4	5	4	5	4	5	4	5	4	5	4	5	4	5	
	Long Side	5	4	6	4	6	4	6	4	6	4	6	4	6	4	7	4	7	5	7	5	7	5	8	5	8	5	8	6	5			
62	Short Side	5	4	5	4	5	4	5	4	5	4	5	4	5	4	5	4	5	4	5	4	5	4	5	4	5	4	5	4	5	4	5	
	Long Side	5	4	6	4	6	4	6	4	6	4	6	4	6	4	7	4	7	5	7	5	7	5	8	5	8	5	8	6	5			
63-3/16	Short Side	5	4	5	4	5	4	5	4	5	4	5	4	5	4	5	4	5	4	5	4	5	4	5	4	5	4	5	4	5	4	5	
	Long Side	5	4	6	4	6	4	6	4	6	4	6	4	6	4	7	4	7	5	7	5	7	5	8	5	8	5	8	6	5			
66-5/8	Short Side	5	4	6	4	6	4	6	4	6	4	6	4	6	4	6	4	6	4	6	4	6	4	6	4	6	4	6	4	6	4	6	
	Long Side	6	4	6	4	6	4	6	4	6	4	6	4	6	4	6	4	6	4	6	4	6	4	6	4	6	4	6	4	6	4	6	4

NOTES:
 1) NARROW OR WIDE STILES AND RAILS MAY BE MIXED WITHIN THE SAME SIDELITE/TRANSOM OR MULLED ASSEMBLY.
 2) SIDELITE/TRANSOM MAY BE A SINGLE, STAND-ALONE UNIT.
 3) FOR SIZES NOT SHOWN, ROUND UP TO THE NEXT AVAILABLE SHORT OR LONG DIMENSION.

PRODUCT REVISED
 as complying with the Florida
 Building Code
 Acceptance No. 17-0504.05
 Expiration Date Jan 23, 2019
 By *[Signature]*
 Miami Dade Product Control

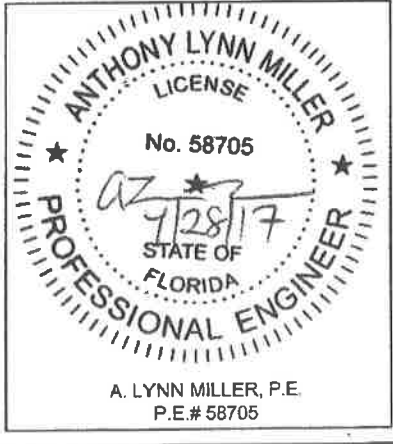
Revision: C) NO CHANGES THIS SHEET
 JR - 04/10/17

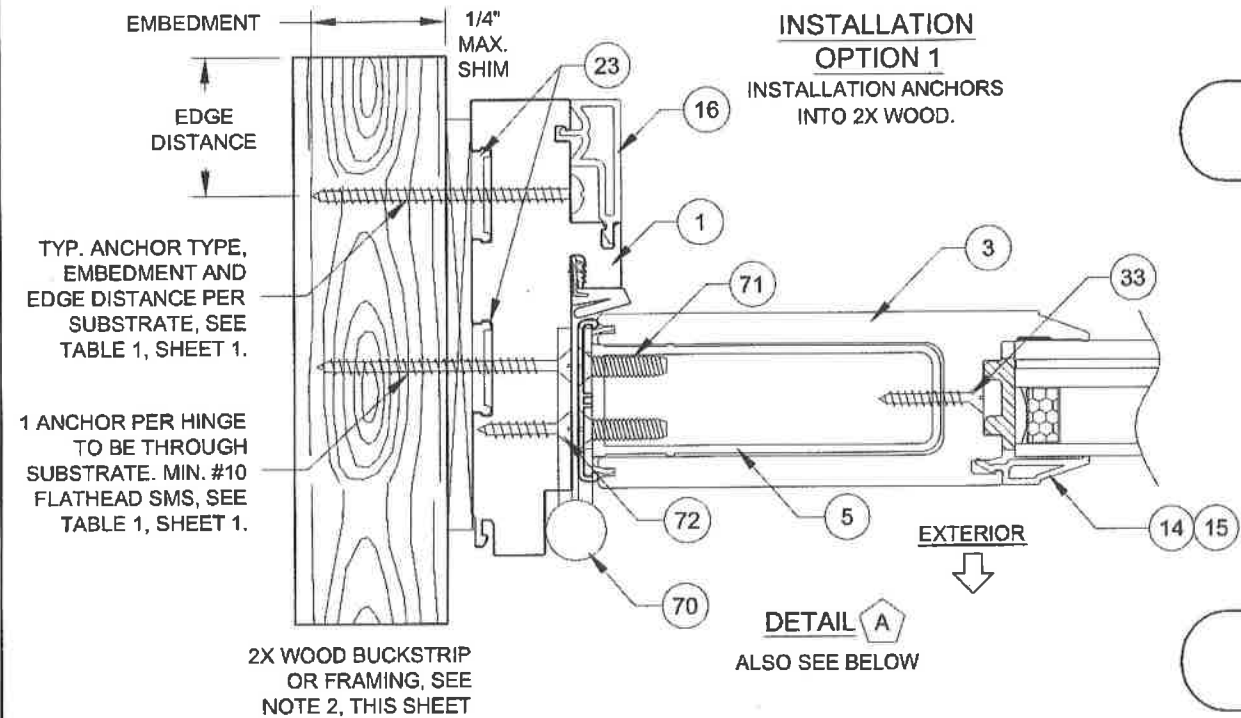
1070 TECHNOLOGY DRIVE
 N. VENICE, FL 34275
 (941)-480-1600

COPYRIGHT © 2017 PGT INDUSTRIES, INC.
 ALL RIGHTS RESERVED

DATE: 5/7/13
 DRAWN BY: J ROSOWSKI
 DWC No. MD-555.1
 SHEET: 6 OF 12
 SCALE: NTS
 SERIES: FD-5555

VINYL FRENCH DOOR AND SLT/TR
 SLT/TR ANCHOR QUANTITIES



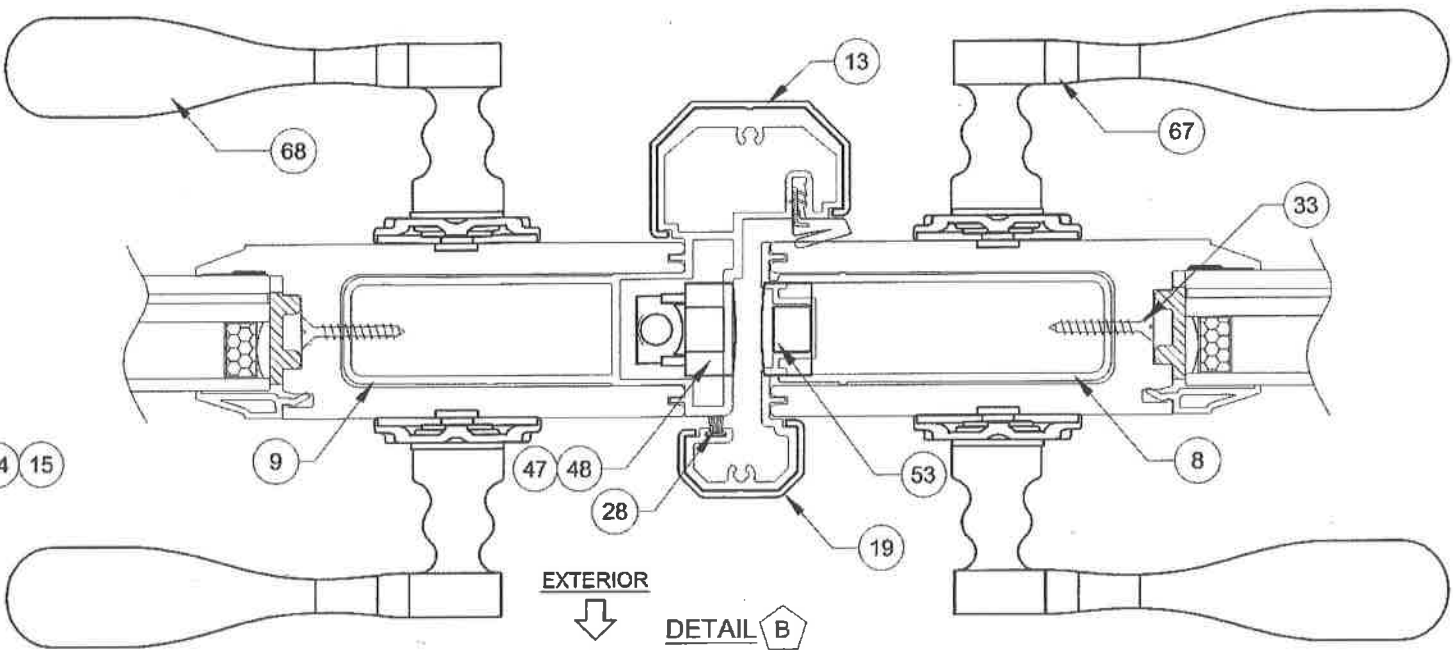


TYP. ANCHOR TYPE, EMBEDMENT AND EDGE DISTANCE PER SUBSTRATE, SEE TABLE 1, SHEET 1.

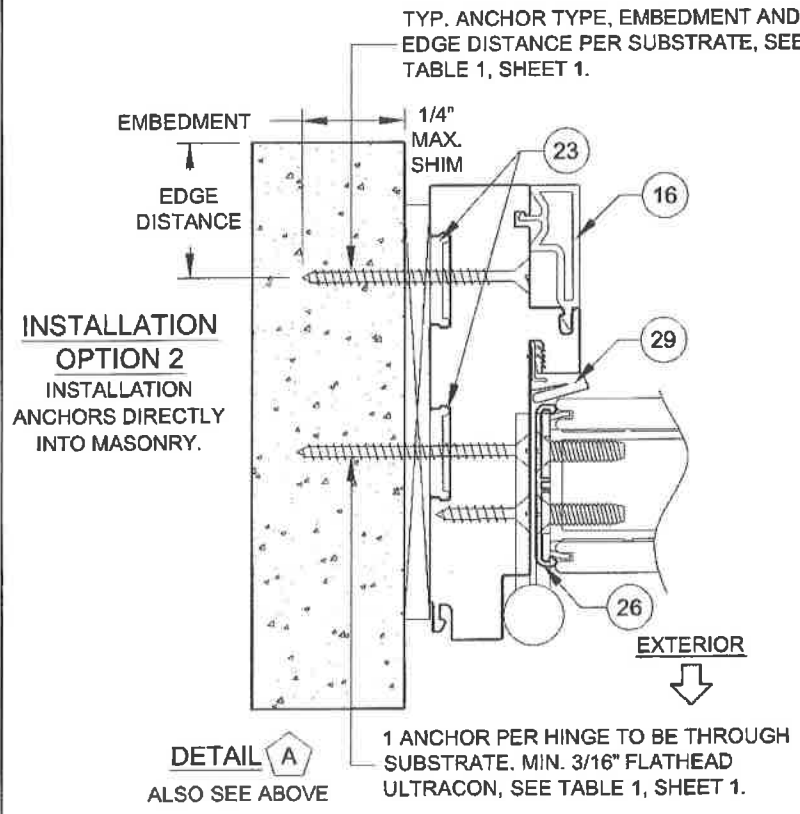
1 ANCHOR PER HINGE TO BE THROUGH SUBSTRATE. MIN. #10 FLATHEAD SMS, SEE TABLE 1, SHEET 1.

2X WOOD BUCKSTRIP OR FRAMING, SEE NOTE 2, THIS SHEET

DETAIL A
ALSO SEE BELOW



EXTERIOR
DETAIL B

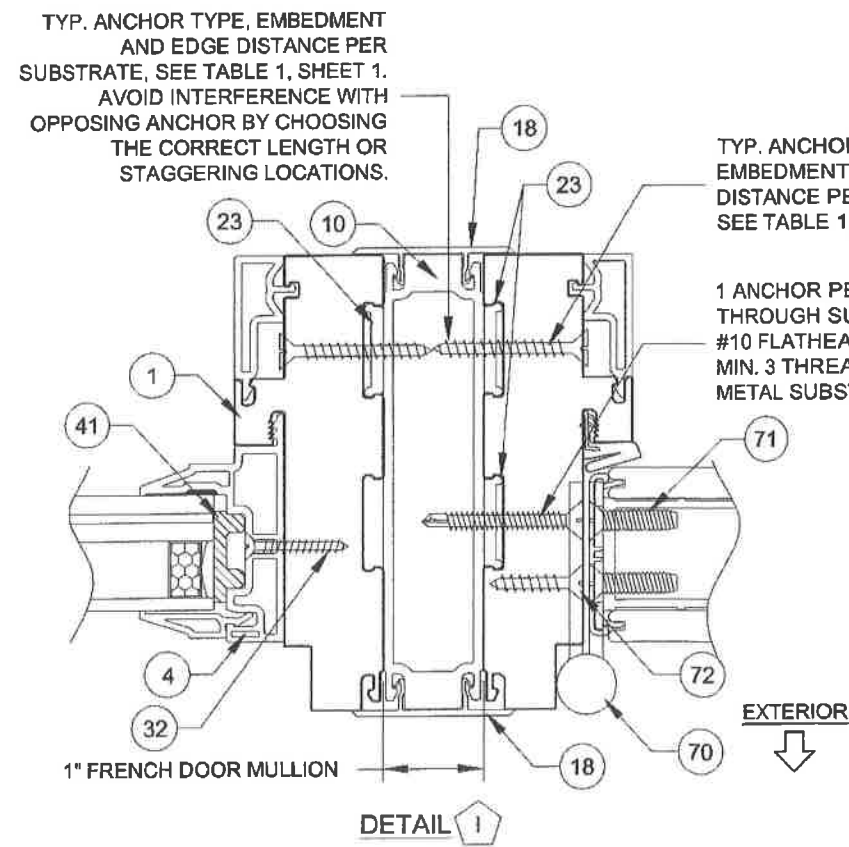


INSTALLATION OPTION 2
INSTALLATION ANCHORS DIRECTLY INTO MASONRY.

TYP. ANCHOR TYPE, EMBEDMENT AND EDGE DISTANCE PER SUBSTRATE, SEE TABLE 1, SHEET 1.

DETAIL A
ALSO SEE ABOVE

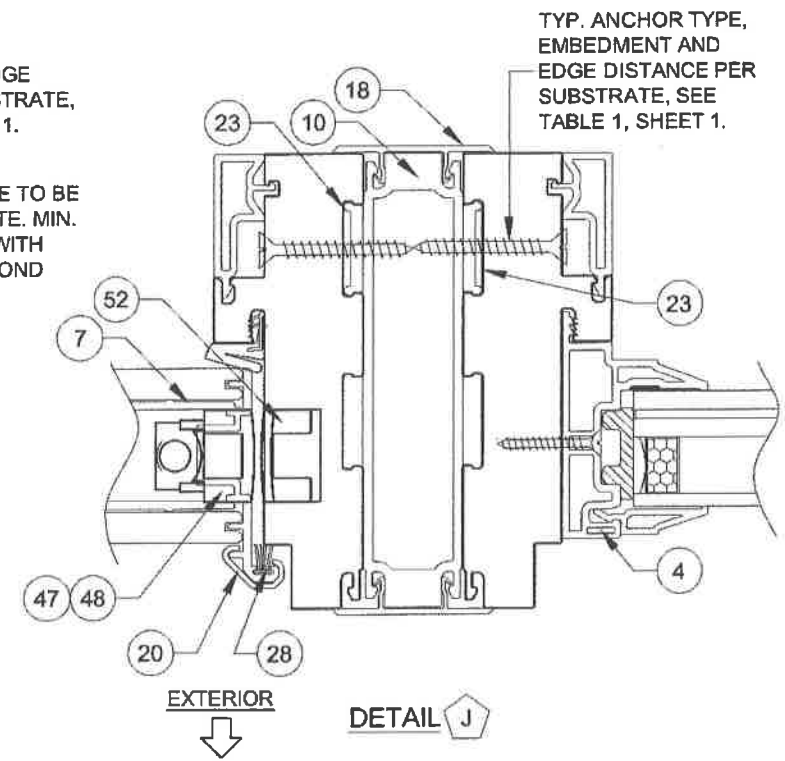
1 ANCHOR PER HINGE TO BE THROUGH SUBSTRATE. MIN. 3/16\"/>



TYP. ANCHOR TYPE, EMBEDMENT AND EDGE DISTANCE PER SUBSTRATE, SEE TABLE 1, SHEET 1. AVOID INTERFERENCE WITH OPPOSING ANCHOR BY CHOOSING THE CORRECT LENGTH OR STAGGERING LOCATIONS.

1\"/>

EXTERIOR
DETAIL I



TYP. ANCHOR TYPE, EMBEDMENT AND EDGE DISTANCE PER SUBSTRATE, SEE TABLE 1, SHEET 1.

1 ANCHOR PER HINGE TO BE THROUGH SUBSTRATE. MIN. #10 FLATHEAD SMS WITH MIN. 3 THREADS BEYOND METAL SUBSTRATE.

EXTERIOR
DETAIL J

INSTALLATION NOTES:

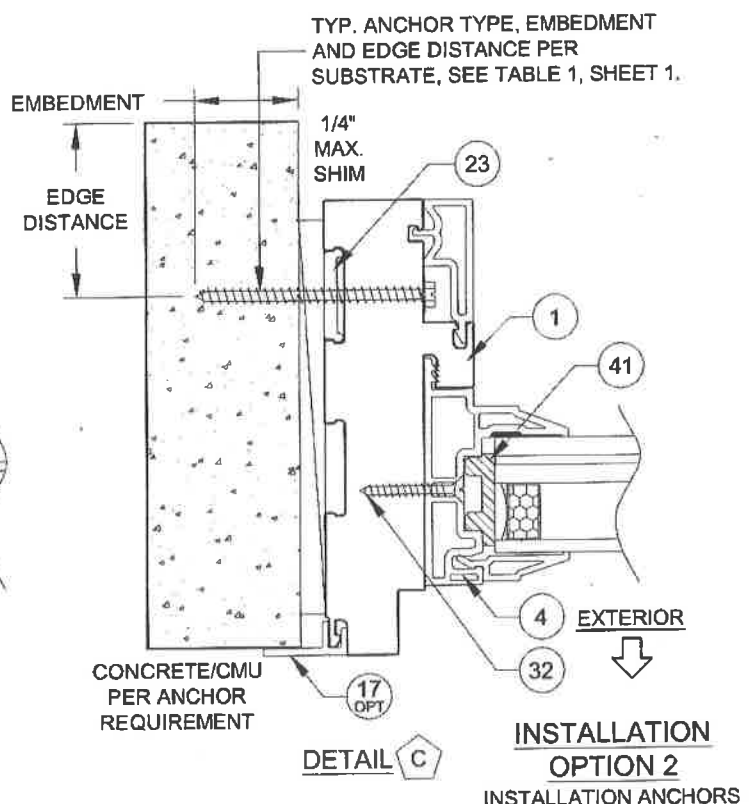
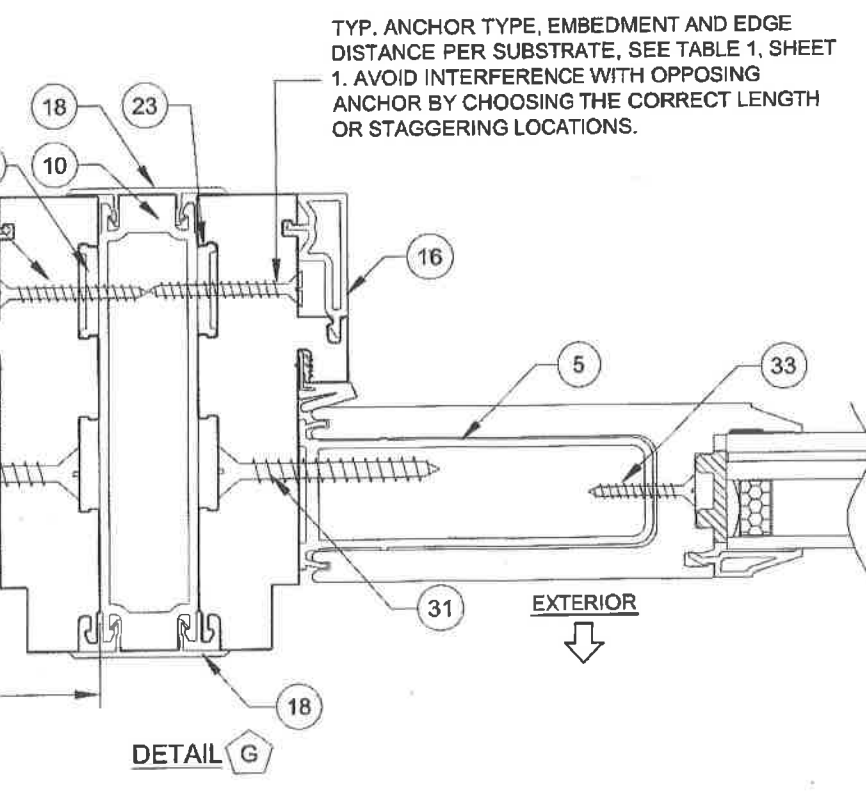
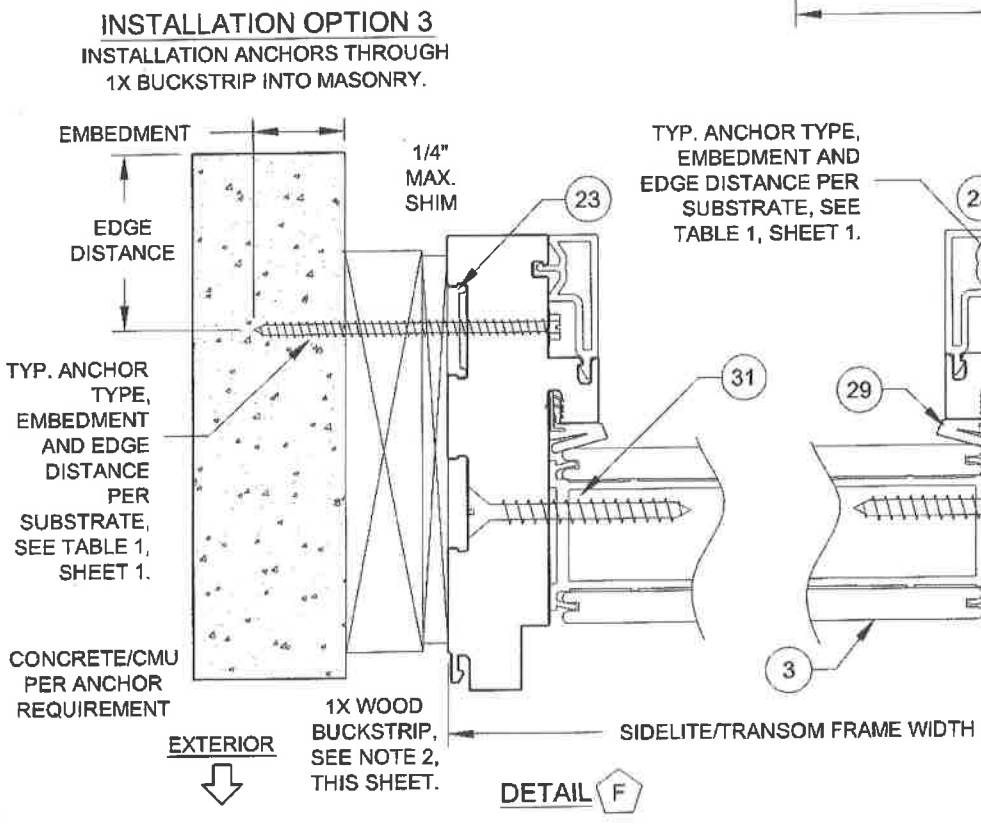
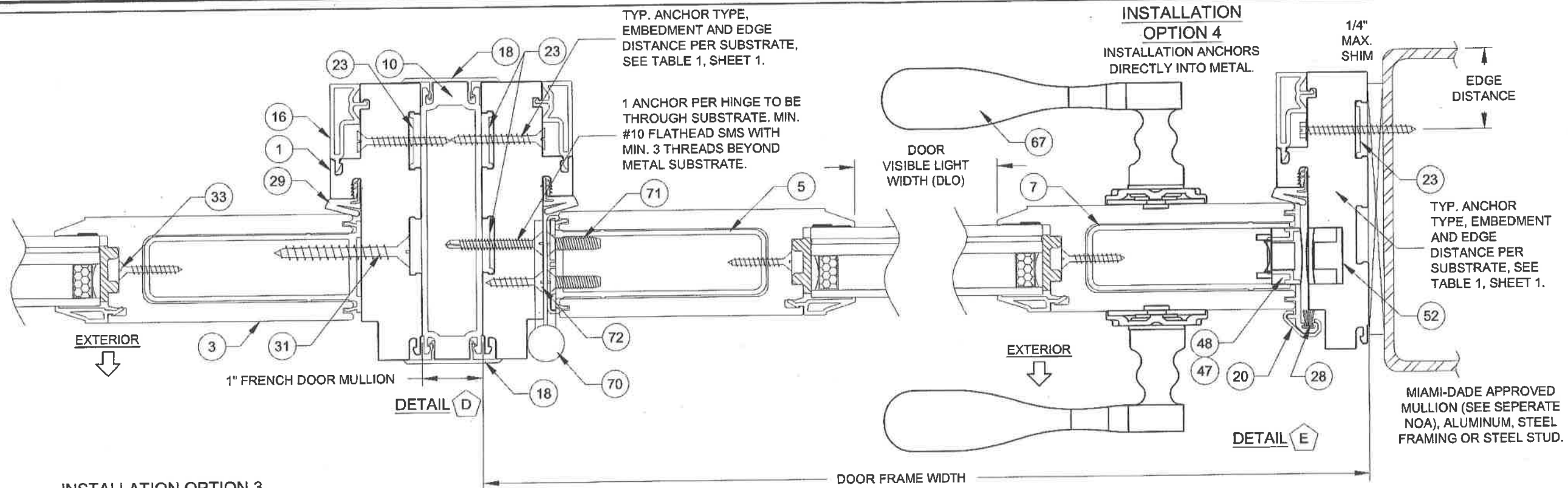
- 1) USE ONLY SUBSTRATE-APPROPRIATE ANCHORS LISTED ON TABLE 1, SHEET 1. FOLLOW EMBEDMENT AND EDGE DISTANCE LIMITS. ANY INSTALLATION OPTION SHOWN MAY BE USED ON ANY SIDE OF THE DOOR, SIDELITE OR TRANSOM.
- 2) WOOD BUCKS DEPICTED ON THIS SHEET AS "1X", ARE BUCKS WHOSE TOTAL THICKNESS IS LESS THAN 1-1/2". 1X WOOD BUCKS ARE OPTIONAL IF UNIT CAN BE INSTALLED DIRECTLY TO MASONRY. WOOD BUCKS DEPICTED AS "2X" ARE 1-1/2" THICK OR GREATER. INSTALLATION TO THE SUBSTRATE OF WOOD BUCKS TO BE ENGINEERED BY OTHERS OR AS APPROVED BY THE AUTHORITY HAVING JURISDICTION.
- 3) FOR ATTACHMENT TO METAL: THE STRUCTURAL MEMBER SHALL BE OF A SIZE TO PROVIDE FULL SUPPORT TO THE FRAME OF THE DOOR, SIDELITE OR TRANSOM.
- 4) IF APPLICABLE, LOWEST DESIGN PRESSURE FROM DOOR, SIDELITE, TRANSOM OR MULLION APPLIES TO THE WHOLE SYSTEM.

PRODUCT REVISED as complying with the Florida Building Code
 Acceptance No. 17-0514-05
 Expiration Date Jan. 23, 2019
 By Manuel Perez
 Miami Dade Product Control

Revision C) NO CHANGES THIS SHEET
 JR - 04/10/17

1070 TECHNOLOGY DRIVE N. VENICE, FL 34275 (941) 480-1600	DATE 5/7/13	DRAWN BY J ROSOWSKI	REV. C
			DWG NO. MD-555.1
PGI CERT. OF AUTH. #29296 VINYL FRENCH DOOR AND SLT/TRANSOM	SCALE NTS	SHEET NO. 7 OF 12	NO. OF SHEETS C
			TITLE INSTALLATION 1
FD-5555			

ANTHONY LYNN MILLER
 LICENSE
 No. 58705
 02/28/17
 STATE OF FLORIDA
 PROFESSIONAL ENGINEER
 A. LYNN MILLER, P.E.
 P.E.# 58705

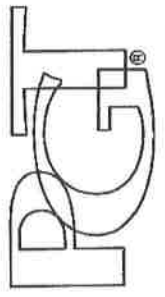


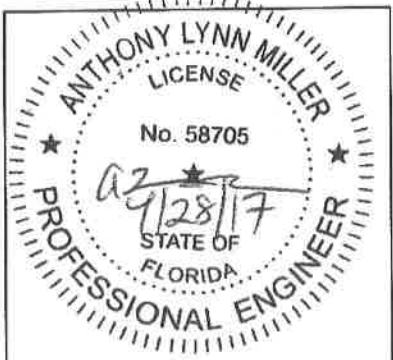
INSTALLATION NOTES:

- 1) USE ONLY SUBSTRATE-APPROPRIATE ANCHORS LISTED ON TABLE 1, SHEET 1. FOLLOW EMBEDMENT AND EDGE DISTANCE LIMITS. ANY INSTALLATION OPTION SHOWN MAY BE USED ON ANY SIDE OF THE DOOR, SIDELITE OR TRANSOM.
- 2) WOOD BUCKS DEPICTED ON THIS SHEET AS "1X", ARE BUCKS WHOSE TOTAL THICKNESS IS LESS THAN 1-1/2". 1X WOOD BUCKS ARE OPTIONAL IF UNIT CAN BE INSTALLED DIRECTLY TO MASONRY. WOOD BUCKS DEPICTED AS "2X" ARE 1-1/2" THICK OR GREATER. INSTALLATION TO THE SUBSTRATE OF WOOD BUCKS TO BE ENGINEERED BY OTHERS OR AS APPROVED BY THE AUTHORITY HAVING JURISDICTION.
- 3) FOR ATTACHMENT TO METAL: THE STRUCTURAL MEMBER SHALL BE OF A SIZE TO PROVIDE FULL SUPPORT TO THE FRAME OF THE DOOR, SIDELITE OR TRANSOM.
- 4) IF APPLICABLE, LOWEST DESIGN PRESSURE FROM DOOR, SIDELITE, TRANSOM OR MULLION APPLIES TO THE WHOLE SYSTEM.

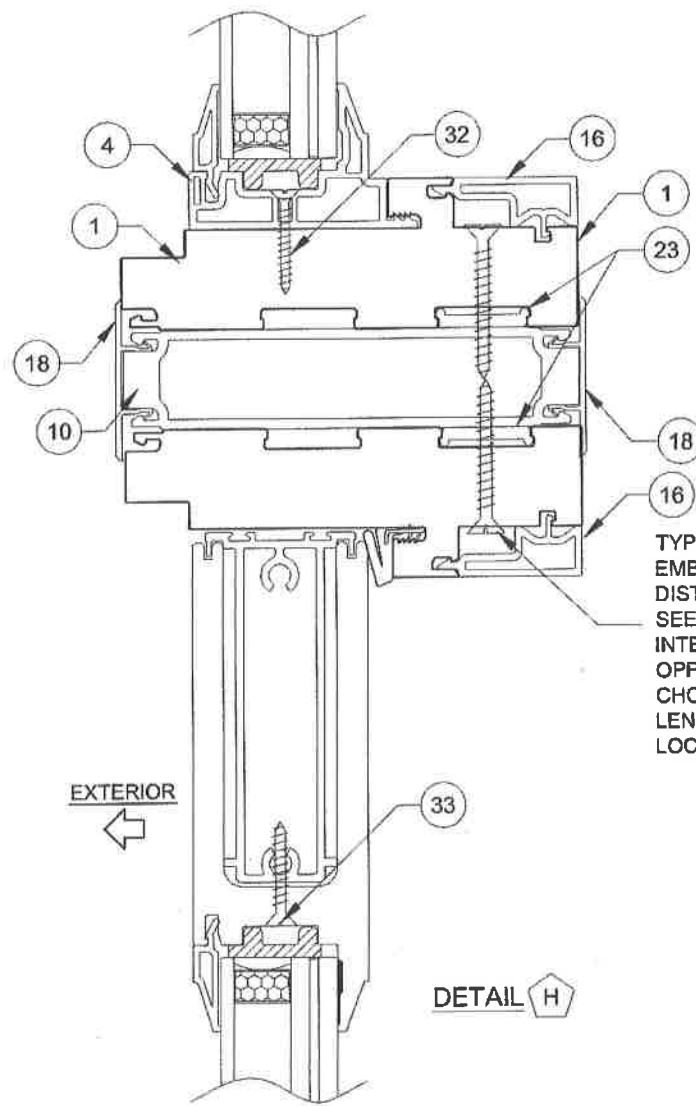
PRODUCT REVISED
 as complying with the Florida
 Building Code
 Acceptance No. 17-0504-05
 Expiration Date Jan 23, 2019
 By *Manuel Perez*
 Miami Dade Product Control

Revision
 C) NO CHANGES THIS SHEET
 JR - 04/10/17

1070 TECHNOLOGY DRIVE N. VENICE, FL 34275 (941)-480-1600	COPYRIGHT © 2017 PGT INDUSTRIES, INC. ALL RIGHTS RESERVED	Date	5/7/13	Rev.	C
		By	J ROSOWSKI	MD-555.1	
 CERT. OF AUTH. #29296 VINYL FRENCH DOOR AND SLT/RR INSTALLATION 2 FD-5555	VINYL FRENCH DOOR AND SLT/RR INSTALLATION 2 FD-5555	Drawn		Sheet	8 OF 12
		Scale	NTS		

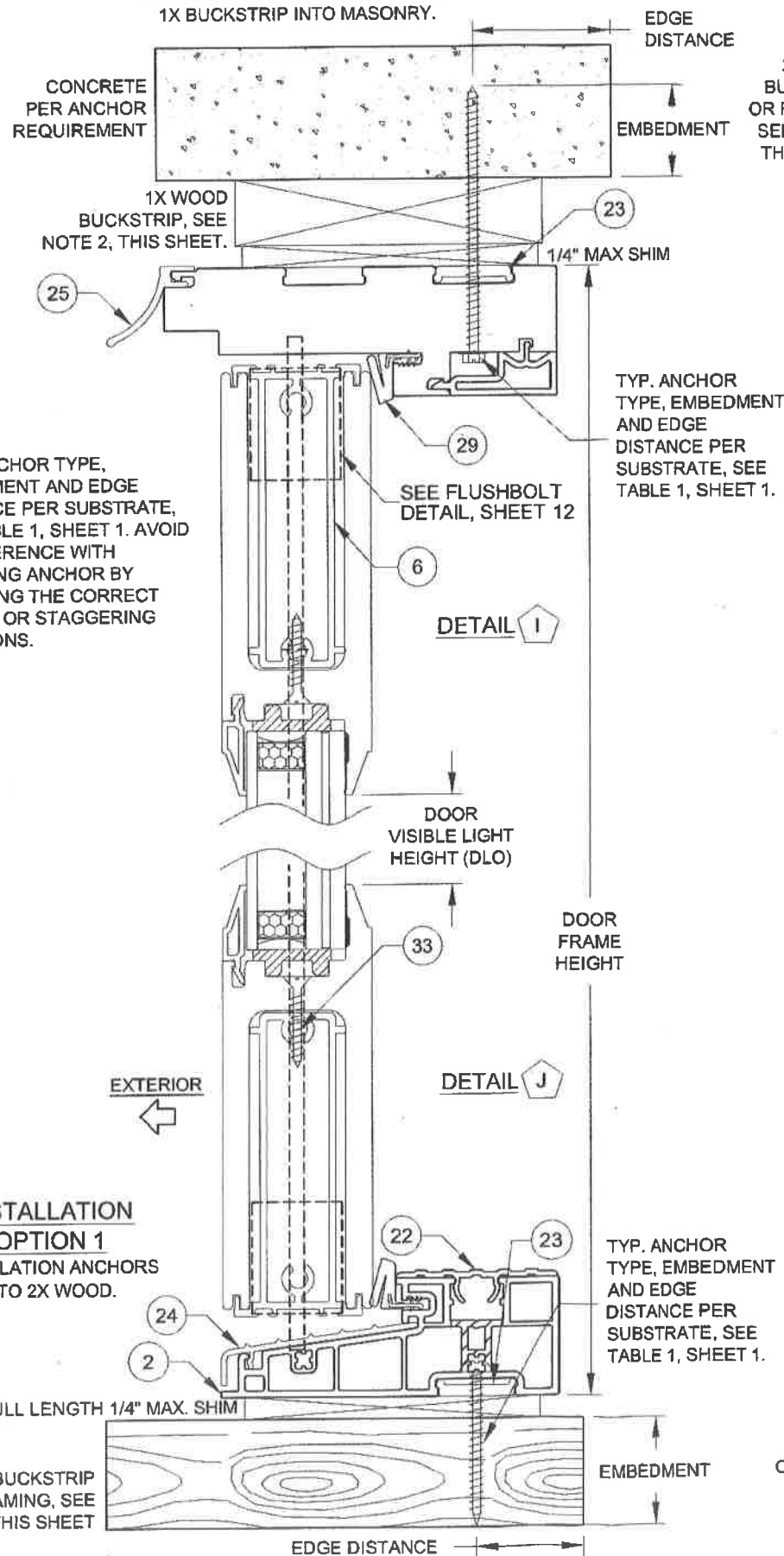


A. LYNN MILLER, P.E.
 P.E.# 58705

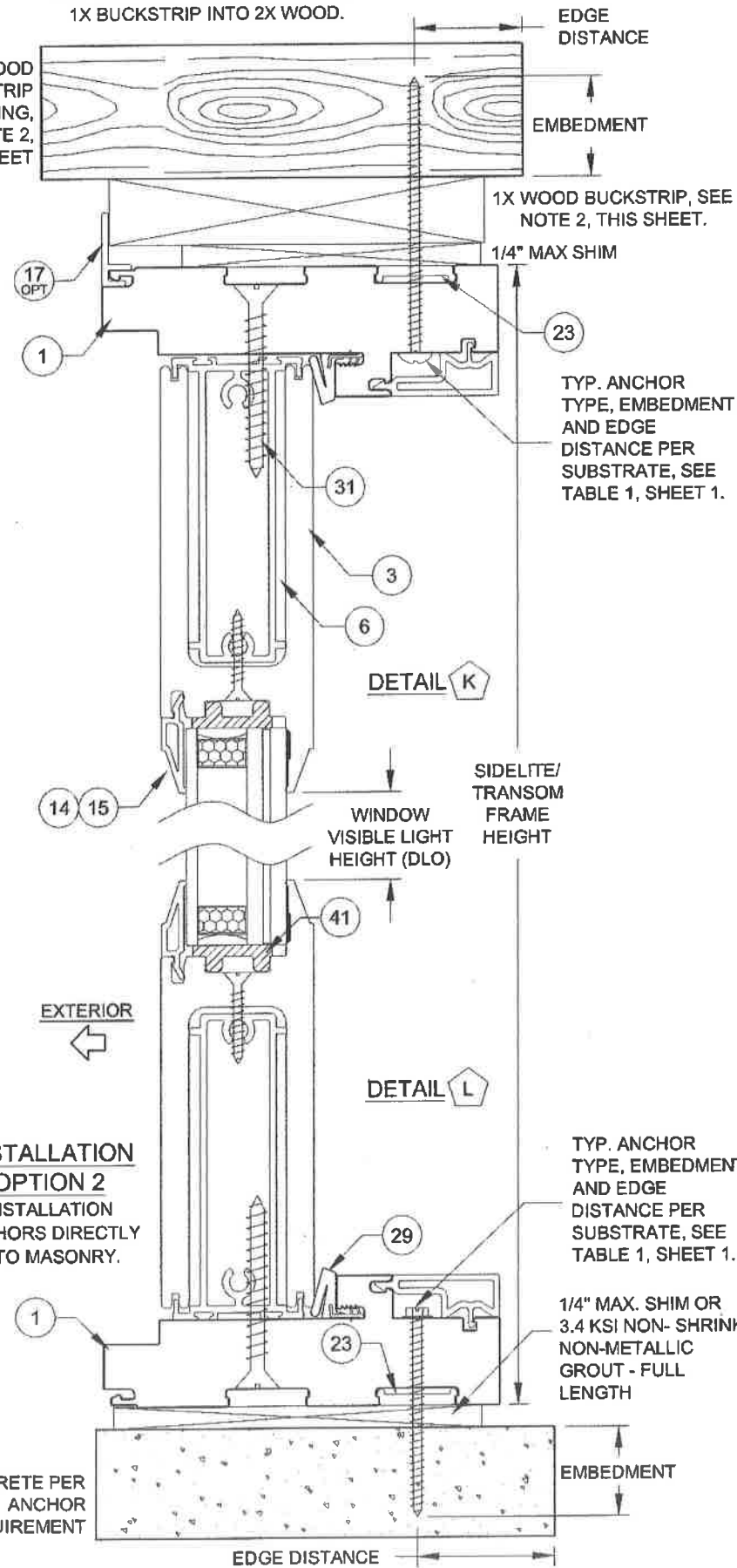


TYP. ANCHOR TYPE, EMBEDMENT AND EDGE DISTANCE PER SUBSTRATE, SEE TABLE 1, SHEET 1. AVOID INTERFERENCE WITH OPPOSING ANCHOR BY CHOOSING THE CORRECT LENGTH OR STAGGERING LOCATIONS.

INSTALLATION OPTION 3
INSTALLATION ANCHORS THROUGH 1X BUCKSTRIP INTO MASONRY.



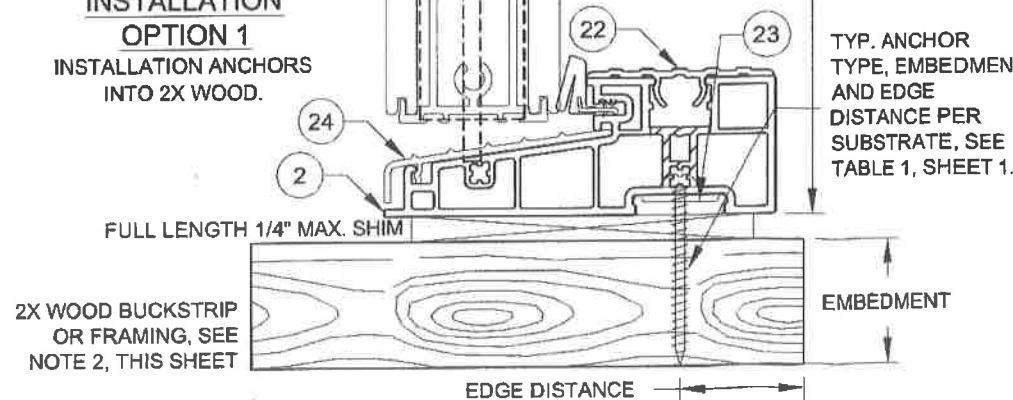
INSTALLATION OPTION 4
INSTALLATION ANCHORS THROUGH 1X BUCKSTRIP INTO 2X WOOD.



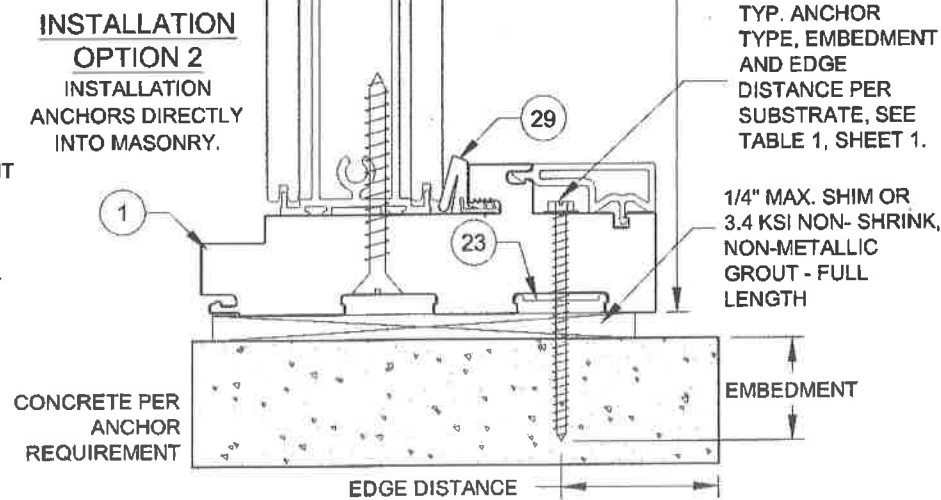
INSTALLATION NOTES:

- 1) USE ONLY SUBSTRATE-APPROPRIATE ANCHORS LISTED ON TABLE 1, SHEET 1. FOLLOW EMBEDMENT AND EDGE DISTANCE LIMITS. ANY INSTALLATION OPTION SHOWN MAY BE USED ON ANY SIDE OF THE DOOR, SIDELITE OR TRANSOM.
- 2) WOOD BUCKS DEPICTED ON THIS SHEET AS "1X", ARE BUCKS WHOSE TOTAL THICKNESS IS LESS THAN 1-1/2". 1X WOOD BUCKS ARE OPTIONAL IF UNIT CAN BE INSTALLED DIRECTLY TO MASONRY. WOOD BUCKS DEPICTED AS "2X" ARE 1-1/2" THICK OR GREATER. INSTALLATION TO THE SUBSTRATE OF WOOD BUCKS TO BE ENGINEERED BY OTHERS OR AS APPROVED BY THE AUTHORITY HAVING JURISDICTION.
- 3) FOR ATTACHMENT TO METAL: THE STRUCTURAL MEMBER SHALL BE OF A SIZE TO PROVIDE FULL SUPPORT TO THE FRAME OF THE DOOR, SIDELITE OR TRANSOM.
- 4) IF APPLICABLE, LOWEST DESIGN PRESSURE FROM DOOR, SIDELITE, TRANSOM OR MULLION APPLIES TO THE WHOLE SYSTEM.

INSTALLATION OPTION 1
INSTALLATION ANCHORS INTO 2X WOOD.

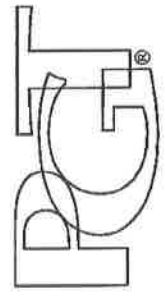


INSTALLATION OPTION 2
INSTALLATION ANCHORS DIRECTLY INTO MASONRY.

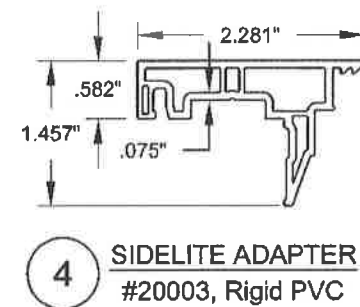
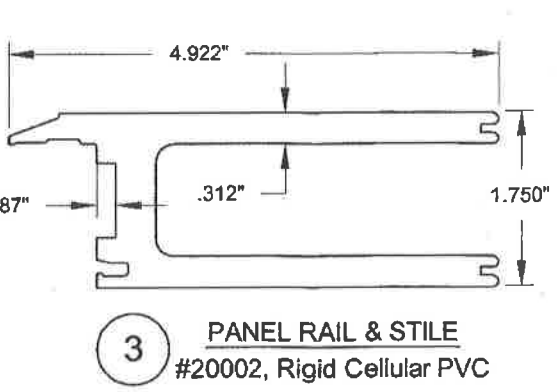
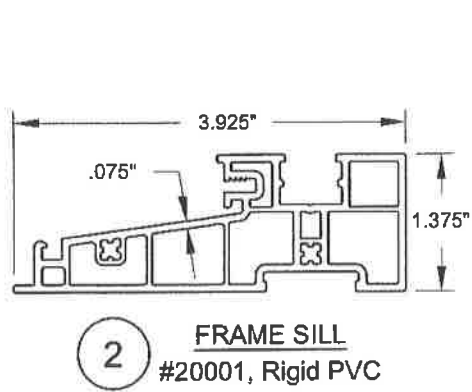
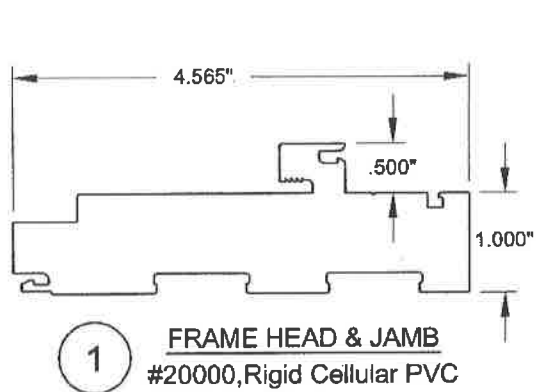


PRODUCT REVISED as complying with the Florida Building Code
Acceptance No. 17-0504-05
Expiration Date Jan. 23, 2019
By *Michael Pore*
Miami Labe Product Control

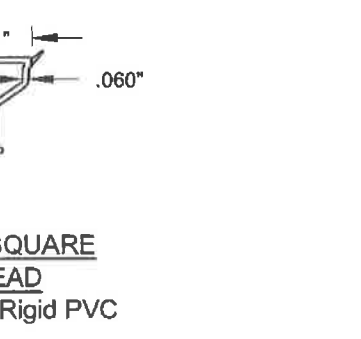
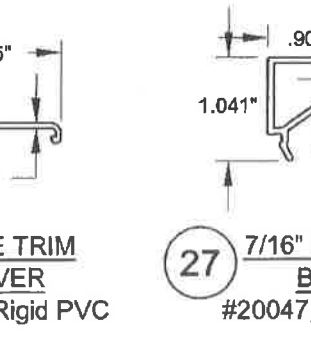
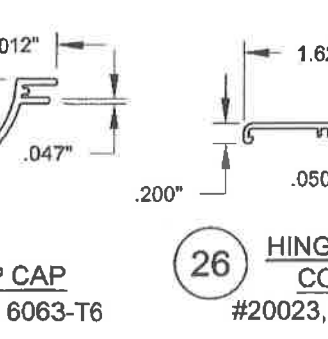
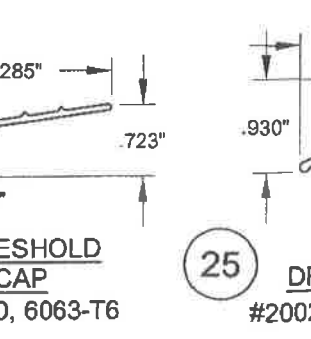
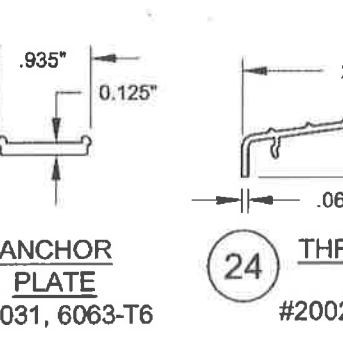
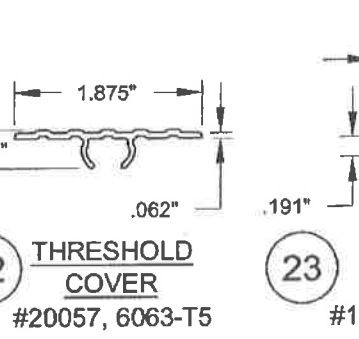
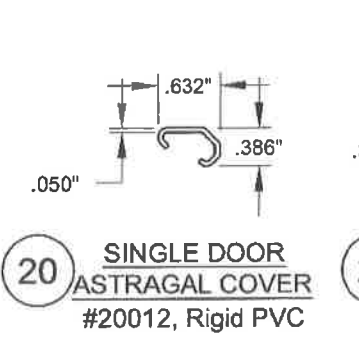
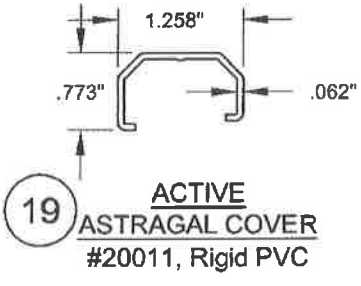
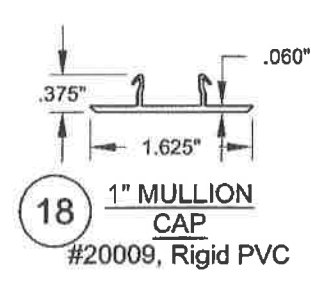
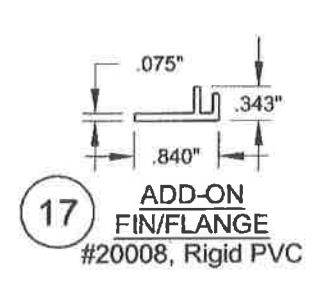
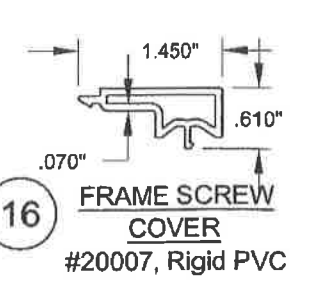
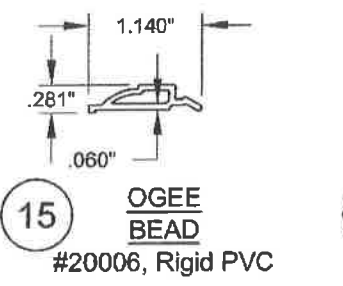
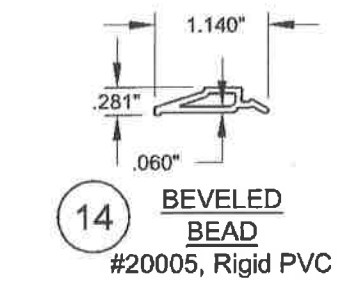
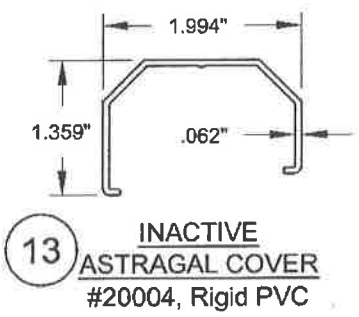
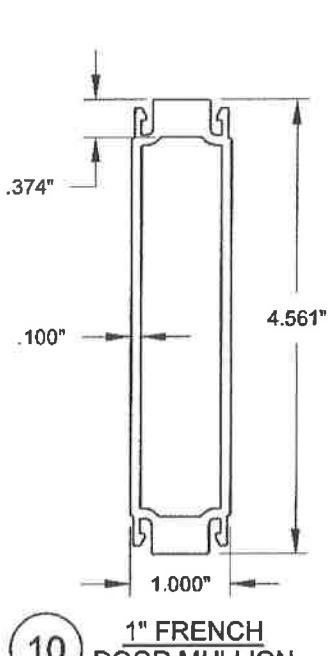
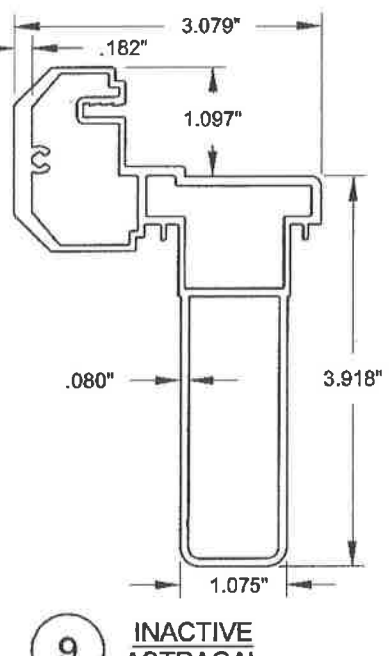
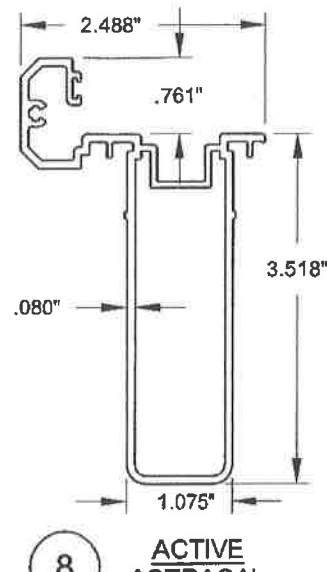
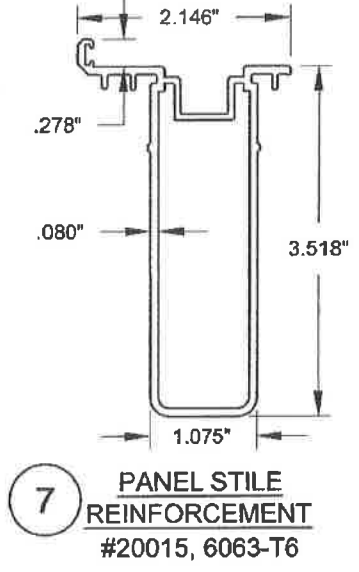
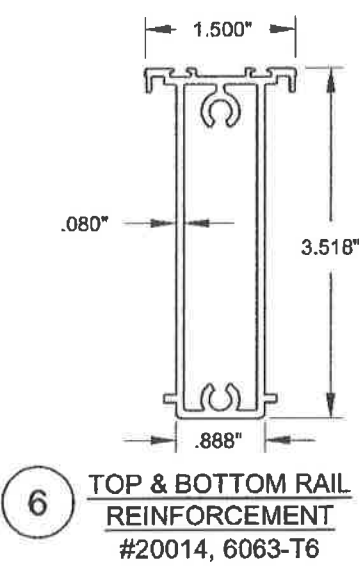
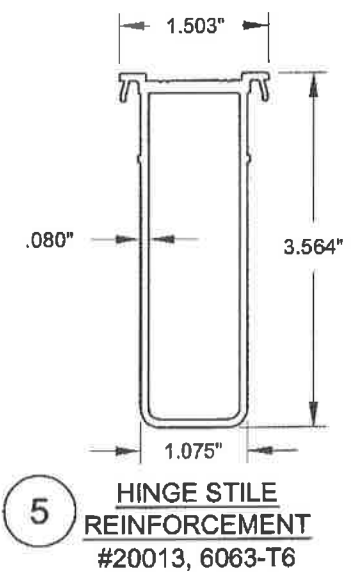
Revision C) REVISED # 22 - JR - 04/10/17

1070 TECHNOLOGY DRIVE N. VENICE, FL 34275 (941)-480-1600	COPYRIGHT © 2017 PGT INDUSTRIES, INC. ALL RIGHTS RESERVED	Date	5/7/13	Rev.	C
		Drawn By	J ROSOWSKI	No.	MD-555.1
 CERT. OF AUTH. #29296 VINYL FRENCH DOOR AND SL/TR INSTALLATION 3 FD-5555	Copyright © 2017 PGT Industries, Inc. All Rights Reserved	Sheet	9 OF 12	DWG	
		Series	NTS		
		Title	INSTALLATION 3		

ANTHONY LYNN MILLER
LICENSE
No. 58705
4/23/17
STATE OF FLORIDA
PROFESSIONAL ENGINEER
A. LYNN MILLER, P.E.
P.E.# 58705



4 SIDELITE ADAPTER
#20003, Rigid PVC



20 SINGLE DOOR ASTRAGAL COVER
#20012, Rigid PVC

22 THRESHOLD COVER
#20057, 6063-T5

23 ANCHOR PLATE
#19031, 6063-T6

24 THRESHOLD CAP
#20020, 6063-T6

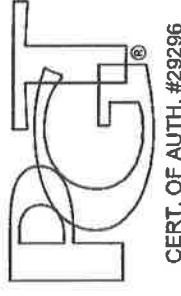
25 DRIP CAP
#20021, 6063-T6

26 HINGE TRIM COVER
#20023, Rigid PVC

27 7/16\"/>

PRODUCT REVISED
as complying with the Florida
Building Code
Acceptance No. 17-0504.05
Expiration Date Jan 23, 2017
By *Manuel Perez*
Miami Dade Product Control

Revision C) REVISED # 22 - JR - 04/10/17

1070 TECHNOLOGY DRIVE N. VENICE, FL 34275 (941)-480-1600	COPYRIGHT © 2017 PGT INDUSTRIES, INC. ALL RIGHTS RESERVED	Date	5/7/13	Rev.	C
		Drawn By	J ROSOWSKI	No.	MD-555.1
 CERT. OF AUTH. #29296 VINYL FRENCH DOOR AND SLTTR EXTRUSIONS FD-5555	VINYL FRENCH DOOR AND SLTTR EXTRUSIONS FD-5555	Sheet	10 OF 12	Scale	NTS
		Series	10 OF 12	Desc.	FD-5555

ANTHONY LYNN MILLER
LICENSE
No. 58705
STATE OF FLORIDA
PROFESSIONAL ENGINEER
A. LYNN MILLER, P.E.
P.E.# 58705

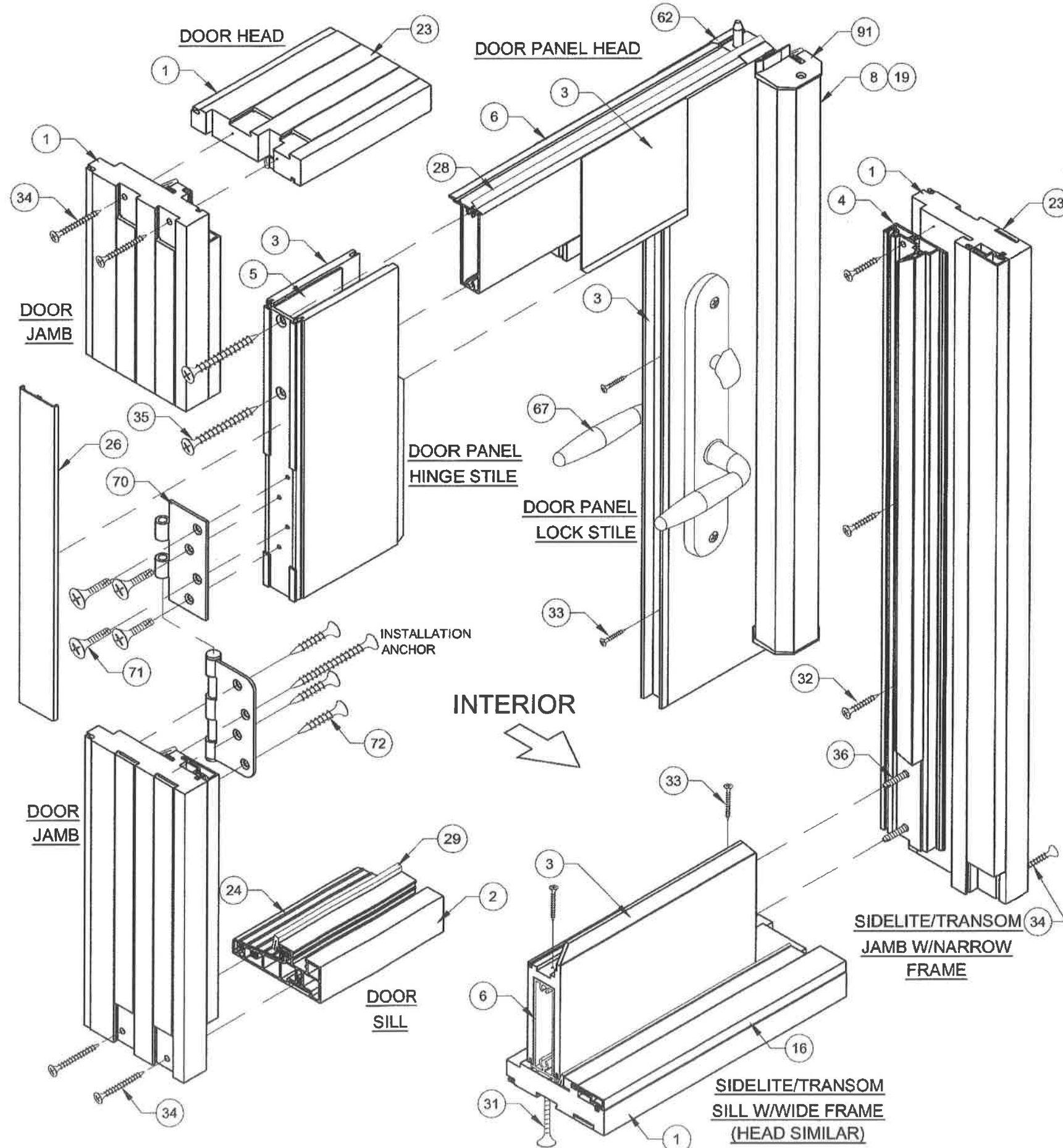
TABLE 11:

#	PGT Part #	Description	Material
1	20000	Door & Sidelite/Transom Main Frame	Cellular PVC
2	20001	Door Frame Sill	Rigid PVC
3	20002	Panel Stile & Rail	Cellular PVC
4	20003	Sidelite Adapter	Rigid PVC
5	20013	Hinge Stile Reinforcement	Alum., 6063-T6
6	20014	Panel Rail Reinforcement	Alum., 6063-T6
7	20015	Panel Stile Reinforcement	Alum., 6063-T6
8	20016	Active Astragal	Rigid PVC
9	20017	Inactive Astragal	Rigid PVC
10	20022	1" French Door Mullion	Alum., 6063-T6
13	20004	Inactive Astragal Cover	Rigid PVC
14	20005	1-1/16" Bevel Bead	Rigid PVC
15	20006	1-1/16" Ogee Bead	Rigid PVC
16	20007	Screw Cover	Rigid PVC
17	20008	Add-on Fin/Flange	Rigid PVC
18	20009	1" Mullion Cap	Rigid PVC
19	20011	Active Astragal Cover	Rigid PVC
20	20012	Single Door Astragal Cover	Rigid PVC
22	20057	Threshold Cover	Alum., 6063-T5
23	19031	Anchor Plate	Alum., 6063-T6
24	20020	Threshold Cover	Alum., 6063-T6
25	20021	Drip Cap	Rigid PVC
26	20023	Hinge Trim Cover	Rigid PVC
27	20047	7/16" Square Bead	Rigid PVC
28		Fin Weatherstrip	
29	1671/3	Frame Weatherstrip	
31	714FPT410XW	Frame-to-Wide Slab Screw: #14 X 1-1/2" Ph. FH, 16.625" O.C.	Stainless Steel
32	7S101X	Frame-to-Nar. Slab Screw: #10 X 1" Ph. FH, 28" O.C.	Stainless Steel
33	78X1FPT410	Reinforcement Screw: #8 X 1" Ph. FH, 18" O.C.	Stainless Steel
34	710X2FPAX	Frame Assembly Screw: #10 X 2" Ph. FH	Stainless Steel
35	714FPT410XW	W-W Slab Assembly Screw: #14 X 1-1/2" Ph. FH	Stainless Steel
36	71420X2.25	N-W Slab Assembly Screw: #14 X 2-1/4" Ph. FH	Stainless Steel
41	20026	Setting Block, 85 +/- 5 duro.	Vinyl
42		Backbedding: Dow-995 or GE-7700	Silicone
43		Argon Gas	
44	6HL5140	Hot Melt Butyl	
45	1652	Setting Block 9/16" x 4" x 3/16", 85 +/- 5 duro.	Neoprene
46	1614	Setting Block 1/2" x 1" x 1/8", 85 +/- 5 duro.	Neoprene
47 - 73	see Hardware BOM, Table 12, Sheet 12		
90	20033	Inactive Astragal Cap	Acetal
91	20035	Active Astragal Cap	Acetal

ALL RIGID PVC AND RIGID CELLULAR PVC BY ENERGI FENESTRATION SOLUTIONS USA, INC OR VISION EXTRUSIONS, LTD.
ANCHOR O.C. DIMENSIONS SHOWN AS MAXIMUM.

DAYLITE OPENING (DLO) SIZES

WHEN USING PART # 3: (WIDE RAILS OR STILES)
 X DOOR FRAME HEIGHT - 12.1 = DLO HEIGHT
 X DOOR FRAME WIDTH - 12.3 = DLO WIDTH
 (XX DOOR FRAME HEIGHT) - 12.1 = DLO HEIGHT
 (XX DOOR FRAME WIDTH / 2) - 11.5 = DLO WIDTH
 SLT/TR FRAME HEIGHT - 12.1 = DLO HEIGHT
 SLT/TR FRAME WIDTH - 12.1 = DLO WIDTH
 WHEN USING PART # 4: (NARROW RAILS OR STILES)
 SLT/TR FRAME HEIGHT - 4.9 = DLO HEIGHT
 SLT/TR FRAME WIDTH - 4.9 = DLO WIDTH



PRODUCT REVISED as complying with the Florida Building Code
 Acceptance No. 17-0504-05
 Expiration Date Jan 23, 2019
 By: *Manuel Perez*
 Miami Dade Product Control

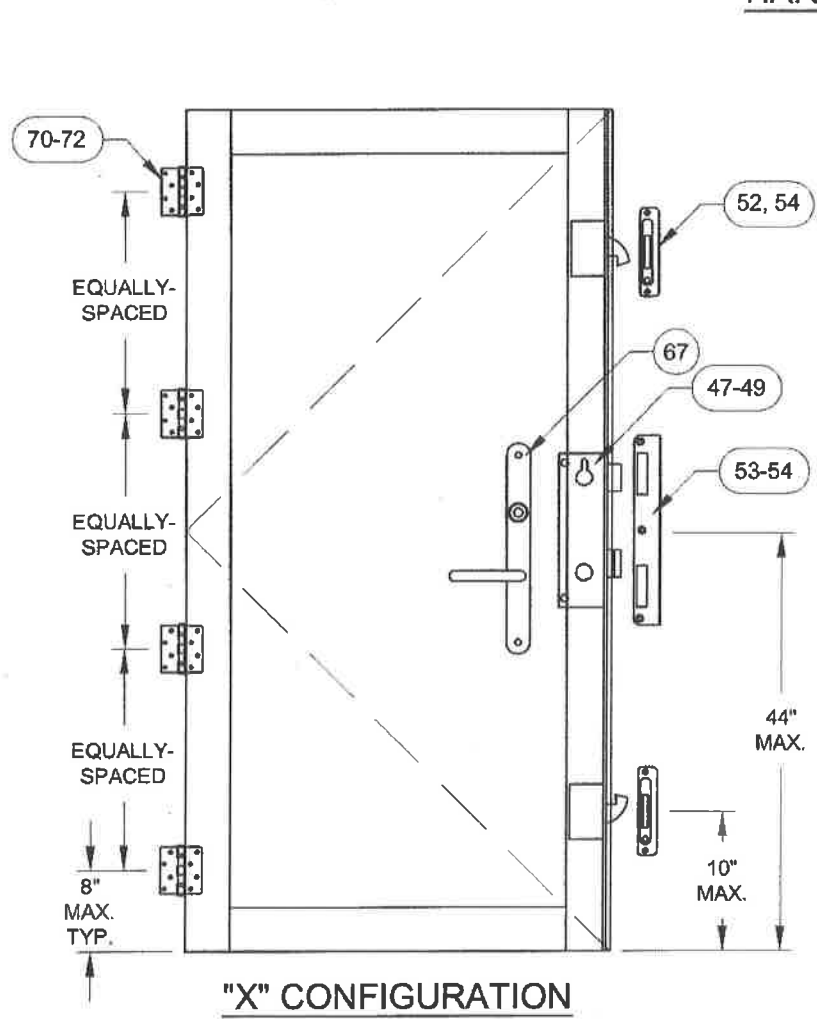
Revision C) REVISED # 22 - JR - 04/10/17

1070 TECHNOLOGY DRIVE N. VENICE, FL 34275 (941)-480-1600 COPYRIGHT © 2017 PGT INDUSTRIES, INC. ALL RIGHTS RESERVED	Date	5/7/13	Rev.	C
	By	J ROSOWSKI	No.	MD-555.1
	Drawn		DWG	
	Scale	NTS	Sheet	11 OF 12
VINYL FRENCH DOOR AND SLT/TR CORNER DETAILS AND BOM		Series	FD-5555	Title

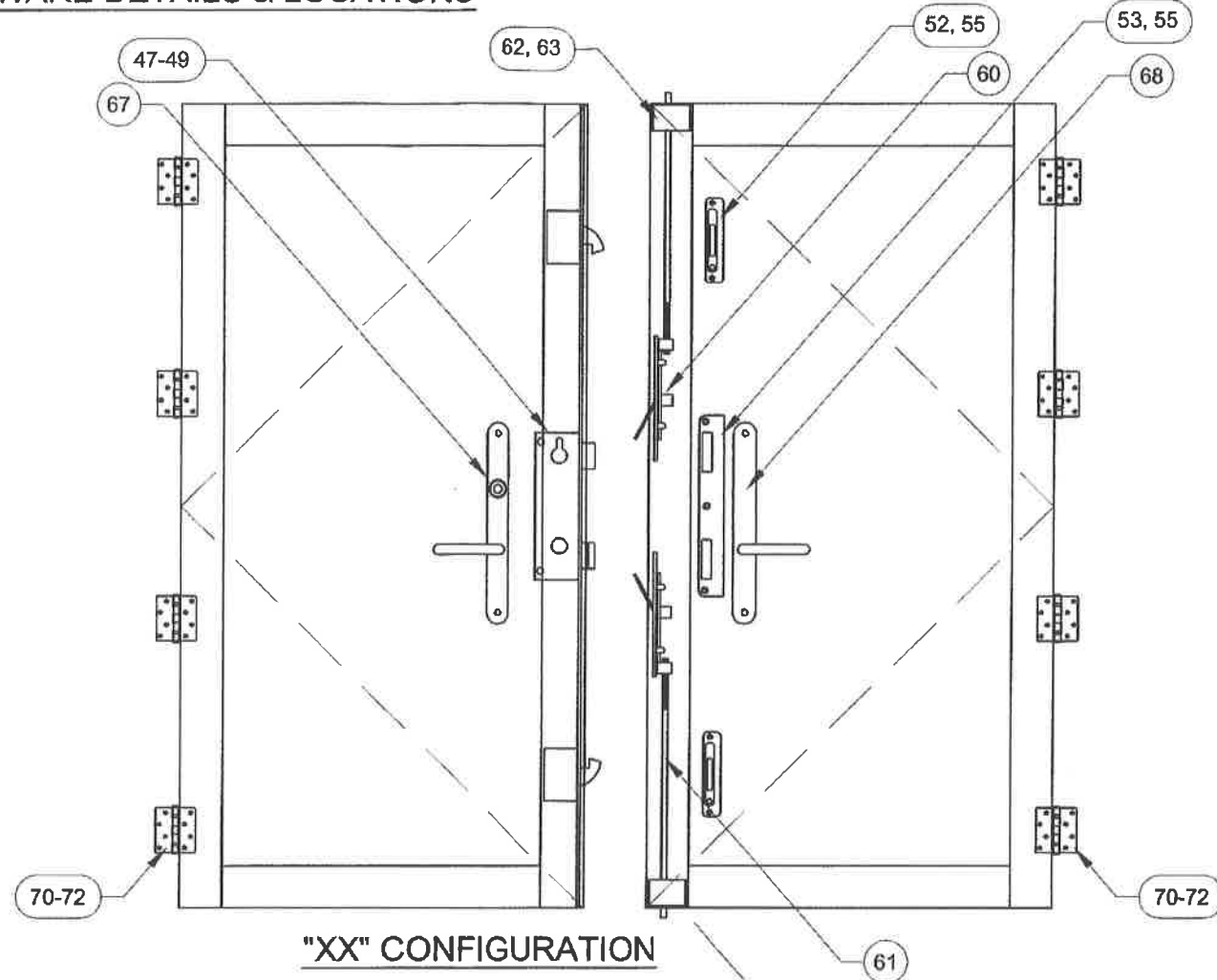
ANTHONY LYNN MILLER
 LICENSE
 No. 58705
 9/28/17
 STATE OF FLORIDA
 PROFESSIONAL ENGINEER

A. LYNN MILLER, P.E.
 P.E.# 58705

HARDWARE DETAILS & LOCATIONS



"X" CONFIGURATION



"XX" CONFIGURATION

SEE DETAIL, TOP LOCK SIMILAR

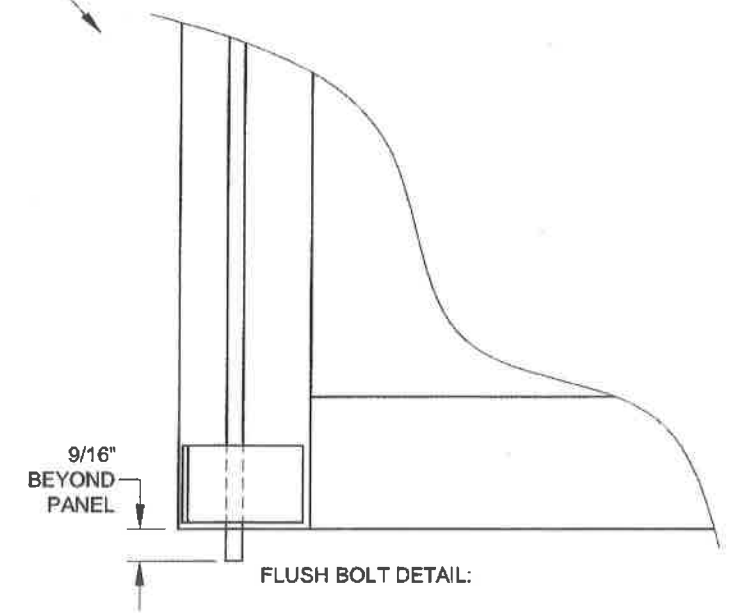
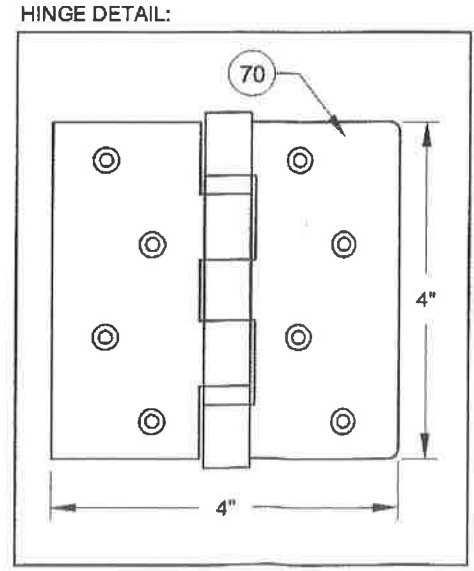


TABLE 12:

#	PGT Part #	Description	Material
47	666032701	P3000 3-PT Rhino Lock (6"8"), Amesbury Inc.	Stainless Steel
48	666032702	P3000 3-PT Rhino Lock (over 6"8"), Amesbury Inc.	Stainless Steel
49	71032X1FPFX	Rhino Lock Screw: 10-32 X 1" Phil. FH	Stainless Steel
52	20027	Adjustable Strike Plate Assembly, Amesbury Inc.	Stainless Steel
53	20028	Center Strike Plate Assembly, Amesbury Inc.	Stainless Steel
54	7S101X	Strike Plate Screw, (X): #10 X 1" Phil. FH	410 S.S.
55	78X12PFHUX	Strike Plate Screw, (XX): #8 X 1/2" Phil. FH	410 S.S.
60	7SB1202	Flush Bolt (XX)	
61	7803725	Flush Bolt Rod (XX)	
62	420034	Flush Bolt Guide (XX)	
63	7832X12FPXP	Flush Bolt Guide Screw: 8-32 X 1/2" Phil. FH	
64	48033N	Guide Pin (XX)	
65	78036	Flush Bolt Strike Plate (XX), Amesbury Inc.	Stainless Steel
66	7832X12FPXP	Flush Bolt Strike Plate Screw, (XX): #8 X 3/4" Phil. FH	410 S.S.
67	varies	Handle/Lever	
68	varies	Dummy Handle/Lever	
70	20025	Butt Hinge, Amesbury Inc.	Stainless Steel
71	71032X1FPFX	Hinge, Slab Screw: #10-32 X 1" Phil FH	Stainless Steel
72	7S101X	Hinge, Frame Screw: #10 X 1" Phil. FH	Stainless Steel

PRODUCT REVISED
 as complying with the Florida
 Building Code
 Acceptance No. 17-0504.05
 Expiration Date Jan. 23, 2019
 By *Manuel Perez*
 Miami Dade Product Control

Revision C) NO CHANGES THIS SHEET
 JR - 04/10/17

1070 TECHNOLOGY DRIVE
 N. VENICE, FL 34275
 (941)-480-1600

COPYRIGHT © 2017 PGT INDUSTRIES, INC.
 ALL RIGHTS RESERVED

PGT
 CERT. OF AUTH. #29296

VINYL FRENCH DOOR AND SLT/TR

DESIGN PRESSURE TABLES 3

12 OF 12

FD-5555

J ROSOWSKI

MD-555.1

NTS

Scale

Sheet

DWG No.

Rev. C

ANTHONY LYNN MILLER
 LICENSE
 No. 58705
 02/28/17
 STATE OF
 FLORIDA
 PROFESSIONAL ENGINEER

A. LYNN MILLER, P.E.
 P.E.# 58705



Baxter Windows & Doors

Energy Efficient Windows & Doors

102 Drennen Rd. Suite B11 & B12 CGC: 1522010 Office: 407-930-1599
Orlando, Fl. 32806 www.BaxterWindows.com

Site Address: 2524 Kissam Ct. Orlando, Fl. 32829

To Whom It May Concern:

The Windows referenced for installation with the attached building permit paperwork all comply with current Energy Star requirements and building codes;

1. According to FBC, Section 5, June 30, 2017 and subsequent.
2. Requirements per 2017 FBC Energy Conservation R503.1.1.1, Table R402.1.2 with U-Factor maximum of 0.40 and SHGC maximum of 0.25

David G. Baxter, License Holder

Baxter Windows LLC

102 Drennen Rd, Suite B11

Orlando Fl 32806

407-930-1599



Baxter Windows & Doors LLC
Energy Efficient Windows & Doors

Contract

Date: July 3, 2018

Customer ID: Power Engineering G.
6635 Narcoossee Road, Orlando, FL 32822

Name: Rais Javed Mirza - Power Engineering Group
Address: 2524 Kissam Court, Orlando, Florida 32829
Phone: 321-228-4348
Email: javed@peqfl.com

Salesperson	Job	Payment Terms	Due Date
Brenno Da Mota	Back of House - Doors/Windows	See Below	

Qty	Description	Unit Price	Line Total
2.00	Plast Pro Fiberglass Door, Impact Glass, Colonial Grids, 6/0 x 6/8, 2 SDL, Out-Swing	\$ 4,366.50	\$ 8,733.00
2.00	Labor for Double Door with 2 Sidelites	1,410.00	2,820.00
2.00	Plast Pro Fiberglass Door, Impact Glass, Colonial Grids, 6/0 x 6/8, Out-Swing	2,428.20	4,856.40
2.00	Labor for Double Door	940.00	1,880.00
1.00	Plast Pro Fiberglass Door, Impact Glass, Colonial Grids, 6/0 x 6/8, 1 SDL, Out-Swing	3,397.20	3,397.20
1.00	Labor for Double Door with 1 Sidelite	1,175.00	1,175.00
4.00	Associated Materials PW, Low E/Argon, 31 x 64, Colonial Grids, Impact Glass	1,647.00	6,588.00
2.00	Associated Materials Quarter Arch, Low E/Argon, 31 x 30, Colonial Grids, Impact Glass	1,655.00	3,310.00
1.00	Associated Materials PW, Low E/Argon, 72 x 70, Colonial Grids, Impact Glass	1,728.00	1,728.00
1.00	Associated Materials Eyebrow w/Leg, 72 x 60, Colonial Grids, Impact Glass	2,007.00	2,007.00
4.00	Mullions (Joining of multiple units)	85.00	340.00
4.00	Scaffolding, Per level/course	186.00	744.00
10.00	Labor	142.00	1,420.00
1.00	Permit & Fees - City of Belle Isle - Orange County	310.00	310.00
Subtotal			\$ 39,308.60
Deposit of 50%			\$ 19,654.30
Final Payment for 50%			\$ 19,654.30

Brass on all hardware - Bronze THRS

Contract prepared by:

To accept this contract, sign here and return:

Thank you for your business!

WINDOW MEASUREMENTS

NAME: Adael Mirza # OF STORIES: 2

DATE: 2/13/2018

TYPE OF CONSTRUCTION: concrete

TYPE OF WINDOWS: _____ # OF WINDOWS: 13

all RHOS

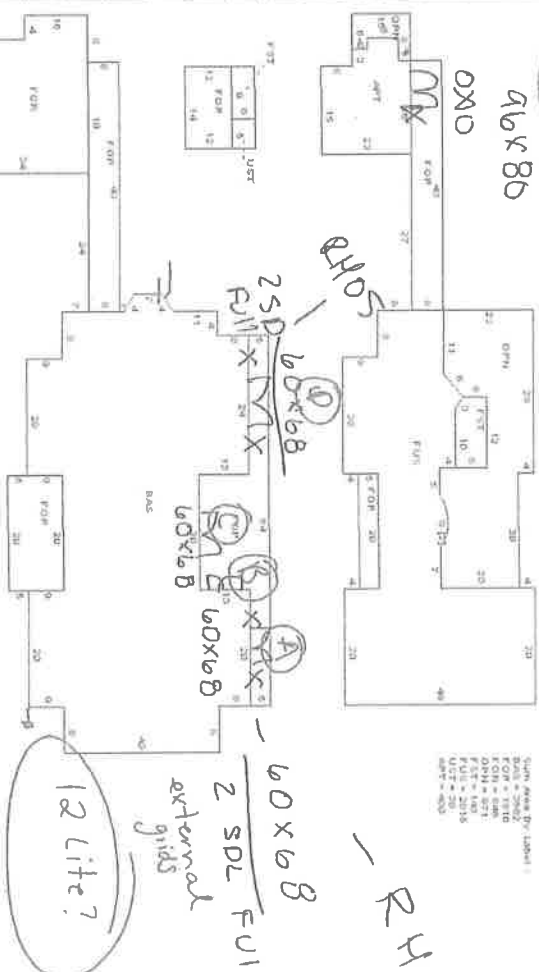
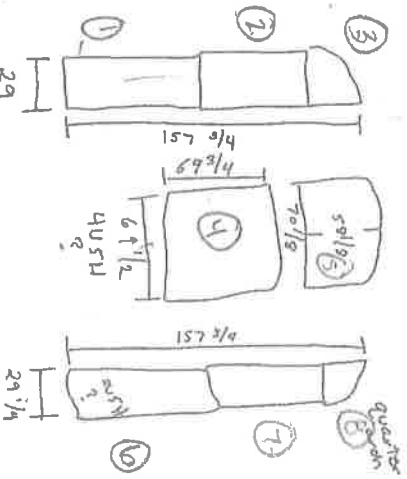
Drawing

Screwed in: _____ Stucco: _____ Brick: _____

Other: _____

	SIZE(WxH)	MDL	LE	DBS	TP	GRID	PATTERNS	L/H	FS	SQ'	U.I
1	29 1/4	64 1/4	PW			X					
2	29 1/4	64 1/4	PW			X					
3	29 1/4	29 1/4	PW			X					
4	69 1/2	69 3/4	PW			X					
5	70 1/8	58 1/8	PW			X					
6	29 1/4	64 1/4	PW			X					
7	29 1/4	64 1/4	PW			X					
8	29 1/4	29 1/4	PW			X					
9											
10											
11											
12											
13											
14											
15											
16											
17											
18											
19											
20											

Inside View
copyright©H. Nathan Meister, 2012



- A: 37 sdl x 74 double door x 80 3/8 RHOS
- B: 70 1/8 x 80 5/8 double door RHOS
- C: 74 1/8 x 80 3/8 double door RHOS
- D: 37 sdl x 74 double door x 80 3/8 RHOS



City of Belle Isle

Universal Engineering Sciences 3532 Maggie Blvd., Orlando, FL 32811
 Tel 407-581-8161 * Fax 407-581-0313 * www.universalengineering.com

Product Approval Form

DATE: 7/3/18

PERMIT # _____

PROJECT ADDRESS 2524 Kissam Ct, Orlando FL 32829, Belle Isle, FL 32809 32812

As required by Florida Statute 553.842 and Florida Administrative Code 9B-72m, please provide the information and approval numbers of the building components listed below if they will be utilized on the building or structure. FL Approved products are listed online at www.floridabuilding.org or can be obtained from the local product supplier. The following information must be turned in with permit application and available onsite for inspections:

• **NOTE: The Installation instructions must be posted on-site before your first inspection!!**

Product Type	Manufacturer	Model/Series	FL Product Approval #	Product Type	Manufacturer	Model/Series	FL Product Approval #
EXTERIOR DOORS				WALL PANELS			
Swinging	PGT Industries	FD-5555	FL 253.6	Sliding			
Sliding				Soffits			
Sectional/Rollup				Storefront			
Other				Glass Block			
				Other			
WINDOWS				ROOFING PRODUCTS			
Single/Dbf Hung				Asphalt Shingles			
Horizontal Slider				Non Struct Metal			
Casement				Roofing Tiles			
Fixed	Simonton	5500	5177.3	Single Ply Roof			
Mullion	Simonton	reinforced Mull	14787.1	Underlayment			
Skylights				Other			
Other	Simonton	Stormbreaker Plus	228.1				
STRUCTURAL COMPONENTS				OTHER			
Wood Connectors							
Wood Anchors							
Truss Plates							
Insulation Forms							
Lintels							
Other							

It is the applicant's responsibility to verify that specific products have been installed in accordance with their limitations and with the minimum required design pressures for the structure. Specific compliance will be verified during field inspections.

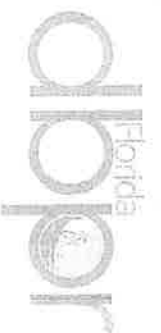
Applicant Signature *[Handwritten Signature]*

Date 7/3/18



RICK SCOTT, GOVERNOR

JONATHAN ZACHEM, SECRETARY



STATE OF FLORIDA
DEPARTMENT OF BUSINESS AND PROFESSIONAL REGULATION
CONSTRUCTION INDUSTRY LICENSING BOARD

THE GENERAL CONTRACTOR HEREIN IS CERTIFIED UNDER THE
PROVISIONS OF CHAPTER 489, FLORIDA STATUTES

BAXTER, DAVID G

BAXTER WINDOWS LLC
1106 W CENTRAL BLVD
ORLANDO FL 32805

LICENSE NUMBER: CGC1522010

EXPIRATION DATE: AUGUST 31, 2020

Always verify licenses online at MyFloridaLicense.com

Do not alter this document in any form.

This is your license. It is unlawful for anyone other than the licensee to use this document.





JIMMY PATRONIS
CHIEF FINANCIAL OFFICER

STATE OF FLORIDA
DEPARTMENT OF FINANCIAL SERVICES
DIVISION OF WORKERS' COMPENSATION

**** CERTIFICATE OF ELECTION TO BE EXEMPT FROM FLORIDA WORKERS' COMPENSATION LAW ****

CONSTRUCTION INDUSTRY EXEMPTION

This certifies that the individual listed below has elected to be exempt from Florida Workers' Compensation law.

EFFECTIVE DATE: 1/6/2018

EXPIRATION DATE: 1/6/2020

PERSON: BAXTER

DAVID

G

FEIN: 463774251

BUSINESS NAME AND ADDRESS:

BAXTER WINDOWS LLC

102 DRENNEN RD SUITE B11

ORLANDO

FL

32806

SCOPE OF BUSINESS OR TRADE:

Licensed General Contractor

Door and Window Installation Carpentry NOC
All Types Residential and
Commercial

Carpentry Installation Of
Cabinet Work or Interior Trim

IMPORTANT: Pursuant to Chapter 440.05(14), F.S., an officer of a corporation who elects exemption from this chapter by filing a certificate of election under this section may not recover benefits or compensation under this chapter. Pursuant to Chapter 440.05(12), F.S., Certificates of election to be exempt... apply only within the scope of the business or trade listed on the notice of election to be exempt. Pursuant to Chapter 440.05(13), F.S., Notices of election to be exempt and certificates of election to be exempt shall be subject to revocation if, at any time after the filing of the notice or the issuance of the certificate, the person named on the notice or certificate no longer meets the requirements of this section for issuance of a certificate. The department shall revoke a certificate at any time for failure of the person named on the certificate to meet the requirements of this section.



CERTIFICATE OF LIABILITY INSURANCE

DATE (MM/DD/YYYY)
8/15/2018

THIS CERTIFICATE IS ISSUED AS A MATTER OF INFORMATION ONLY AND CONFERS NO RIGHTS UPON THE CERTIFICATE HOLDER. THIS CERTIFICATE DOES NOT AFFIRMATIVELY OR NEGATIVELY AMEND, EXTEND OR ALTER THE COVERAGE AFFORDED BY THE POLICIES BELOW. THIS CERTIFICATE OF INSURANCE DOES NOT CONSTITUTE A CONTRACT BETWEEN THE ISSUING INSURER(S), AUTHORIZED REPRESENTATIVE OR PRODUCER, AND THE CERTIFICATE HOLDER.

IMPORTANT: If the certificate holder is an ADDITIONAL INSURED, the policy(ies) must be endorsed. If SUBROGATION IS WAIVED, subject to the terms and conditions of the policy, certain policies may require an endorsement. A statement on this certificate does not confer rights to the certificate holder in lieu of such endorsement(s).

PRODUCER Brown & Brown of Florida, Inc. 2290 Lucien Way Suite 400 Maitland FL 32751	CONTACT NAME: Sandra Harrelson PHONE (A/C, No, Ext): (407) 660-8282 FAX (A/C, No): (407) 660-2012 E-MAIL ADDRESS: sharrelson@bborlando.com													
	<table border="1"> <tr> <th>INSURER(S) AFFORDING COVERAGE</th> <th>NAIC #</th> </tr> <tr> <td>INSURER A: Ohio Security Ins. Co.</td> <td>24082</td> </tr> <tr> <td>INSURER B:</td> <td></td> </tr> <tr> <td>INSURER C:</td> <td></td> </tr> <tr> <td>INSURER D:</td> <td></td> </tr> <tr> <td>INSURER E:</td> <td></td> </tr> <tr> <td>INSURER F:</td> <td></td> </tr> </table>	INSURER(S) AFFORDING COVERAGE	NAIC #	INSURER A: Ohio Security Ins. Co.	24082	INSURER B:		INSURER C:		INSURER D:		INSURER E:		INSURER F:
INSURER(S) AFFORDING COVERAGE	NAIC #													
INSURER A: Ohio Security Ins. Co.	24082													
INSURER B:														
INSURER C:														
INSURER D:														
INSURER E:														
INSURER F:														
INSURED Baxter Windows LLC 102 Drennen Rd., Ste. B 11 Orlando FL 32806														

COVERAGES **CERTIFICATE NUMBER:** CL17102012772 **REVISION NUMBER:**

THIS IS TO CERTIFY THAT THE POLICIES OF INSURANCE LISTED BELOW HAVE BEEN ISSUED TO THE INSURED NAMED ABOVE FOR THE POLICY PERIOD INDICATED. NOTWITHSTANDING ANY REQUIREMENT, TERM OR CONDITION OF ANY CONTRACT OR OTHER DOCUMENT WITH RESPECT TO WHICH THIS CERTIFICATE MAY BE ISSUED OR MAY PERTAIN, THE INSURANCE AFFORDED BY THE POLICIES DESCRIBED HEREIN IS SUBJECT TO ALL THE TERMS, EXCLUSIONS AND CONDITIONS OF SUCH POLICIES. LIMITS SHOWN MAY HAVE BEEN REDUCED BY PAID CLAIMS.

INSR LTR	TYPE OF INSURANCE	ADDL INSD	SUBR WVD	POLICY NUMBER	POLICY EFF (MM/DD/YYYY)	POLICY EXP (MM/DD/YYYY)	LIMITS
A	<input checked="" type="checkbox"/> COMMERCIAL GENERAL LIABILITY <input type="checkbox"/> CLAIMS-MADE <input checked="" type="checkbox"/> OCCUR GEN'L AGGREGATE LIMIT APPLIES PER: <input checked="" type="checkbox"/> POLICY <input type="checkbox"/> PRO-JECT <input type="checkbox"/> LOC OTHER:			BL55794394	11/1/2017	11/1/2018	EACH OCCURRENCE \$ 1,000,000 DAMAGE TO RENTED PREMISES (Ea occurrence) \$ 300,000 MED EXP (Any one person) \$ 15,000 PERSONAL & ADV INJURY \$ 1,000,000 GENERAL AGGREGATE \$ 2,000,000 PRODUCTS - COMP/OP AGG \$ 2,000,000
	AUTOMOBILE LIABILITY <input type="checkbox"/> ANY AUTO <input type="checkbox"/> ALL OWNED AUTOS <input type="checkbox"/> SCHEDULED AUTOS <input type="checkbox"/> HIRED AUTOS <input type="checkbox"/> NON-OWNED AUTOS						COMBINED SINGLE LIMIT (Ea accident) \$ BODILY INJURY (Per person) \$ BODILY INJURY (Per accident) \$ PROPERTY DAMAGE (Per accident) \$
	<input type="checkbox"/> UMBRELLA LIAB <input type="checkbox"/> OCCUR <input type="checkbox"/> EXCESS LIAB <input type="checkbox"/> CLAIMS-MADE DED RETENTION \$						EACH OCCURRENCE \$ AGGREGATE \$
	WORKERS COMPENSATION AND EMPLOYERS' LIABILITY ANY PROPRIETOR/PARTNER/EXECUTIVE OFFICER/MEMBER EXCLUDED? (Mandatory in NH) If yes, describe under DESCRIPTION OF OPERATIONS below			Y/N N/A			PER STATUTE OTH-ER E.L. EACH ACCIDENT \$ E.L. DISEASE - EA EMPLOYEE \$ E.L. DISEASE - POLICY LIMIT \$

DESCRIPTION OF OPERATIONS / LOCATIONS / VEHICLES (ACORD 101, Additional Remarks Schedule, may be attached if more space is required)

CERTIFICATE HOLDER City of Belle Isle 1600 Nela Avenue Belle Isle, FL 32809	CANCELLATION SHOULD ANY OF THE ABOVE DESCRIBED POLICIES BE CANCELLED BEFORE THE EXPIRATION DATE THEREOF, NOTICE WILL BE DELIVERED IN ACCORDANCE WITH THE POLICY PROVISIONS. AUTHORIZED REPRESENTATIVE S Harrelson/102120
---	--

2018 - 2019



Local Business Tax Receipt

(Formerly known as "Business License "
changed per state law HB1269-2006)

Business Name

BAXTER WINDOWS LLC
102 DRENNEN RD SUITE B11-12
ORLANDO, FL 32806

Business Owner

BAXTER WINDOWS LLC DAVID G BAXTER
CGC1522010

Business Location

102 DRENNEN RD B
ORLANDO, FL

NOTICE-THIS TAX RECEIPT ONLY EVIDENCES
PAYMENT OF THE LOCAL BUSINESS TAX PURSUANT
TO CH.205, FLORIDA STATUTES. IT DOES NOT PERMIT
THE HOLDER TO OPERATE IN VIOLATION OF ANY CITY,
STATE, OR FEDERAL LAW. CITY PERMITTING MUST BE
NOTIFIED OF ANY MATERIAL CHANGE TO THE
INFORMATION FOUND HEREIN BELOW. THIS RECEIPT
DOES NOT CONSTITUTE AN ENDORSEMENT OR
APPROVAL OF THE HOLDER'S SKILL OR
COMPETENCY.

Case Number: BUS-0038770

Issued Date: 07/15/2018

Expiration Date: 09/30/2019

Business type(s):

<u>Description</u>	<u>Year</u>
CONTRA 1522 GENERAL CONTRACTOR	2019

2018 **EXPIRES 9/30/2019** 3501-1119393
 3501 GEN CONT- RESIDENTIA \$30.00 1 EMPLOYEE ;

TOTAL TAX \$30.00
 PREVIOUSLY PAID \$30.00
 TOTAL DUE \$0.00

MEISTER HOWARD N

BAXTER WINDOWS LLC
 102 DRENNEN RD
 SUITE B11-12
 ORLANDO FL 32806-6187

185 DRENNEN RD #B11-12
 A - ORLANDO, 32806

PAID: \$30.00 0098-00831700 7/12/2018

Tax Collector Scott Randolph Local Business Tax Receipt Orange County, Florida

This local Business Tax Receipt is in addition to and not in lieu of any other tax required by law or municipal ordinance. Businesses are subject to regulation of zoning, health and other lawful authorities. This receipt is valid from October 1 through September 30 of receipt year. **Delinquent penalty is added October 1.**

2018 **EXPIRES 9/30/2019** 3501-1119393
 3501 GEN CONT- RESIDENTIA \$30.00 1 EMPLOYEE ;

TOTAL TAX \$30.00
 PREVIOUSLY PAID \$30.00
 TOTAL DUE \$0.00



MEISTER HOWARD N

BAXTER WINDOWS LLC
 102 DRENNEN RD
 SUITE B11-12
 ORLANDO FL 32806-6187

185 DRENNEN RD #B11-12
 A - ORLANDO, 32806

PAID: \$30.00 0098-00831700 7/12/2018

This receipt is official when validated by the Tax Collector.

Orange County Code requires this local Business Tax Receipt to be displayed conspicuously at the place of business in public view. It is subject to inspection by all duly authorized officers of the County.



CITY OF BELLE ISLE, FLORIDA
Universal Engineering Sciences 3532 Maggie Blvd., Orlando, FL 32811
Tel 407-581-8161 * Fax 407-581-0313 * www.universalengineering.com

POWER OF ATTORNEY

Date: 7/3/18

Permit #: 2018-08-034

I hereby name and appoint Andres Del Valle, Brenno DaMota, Barbara Meister of
(print name)

Baxter Windows and Doors to be my lawful attorney-in-fact to act for
(company name)

me and apply to the City of Belle Isle Building Department for a residential permit
(type of permit)

for work to be performed at the following location:

2524 Kissam Ct, Orlando FL 32829, Belle Isle, FL 32809 32812 and
(street address)

to sign my name and do all things necessary to this appointment.

Certified Contractor's Printed Name: David G. Baxter

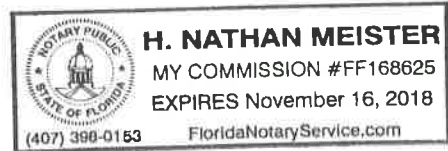
License Number: CGC1522010

Certified Contractor's Signature: David G. Baxter

.....
The foregoing instrument was acknowledged before me this 3 days of july of 20 18
by David G. Baxter who is personally known to me or who produced
as identification and who did not take an oath.

State of Florida
County of Orange

Nathan Meister
Notary Public, Orange County, Florida



(seal)

State of Florida

Department of State

I certify from the records of this office that BAXTER WINDOWS LLC is a limited liability company organized under the laws of the State of Florida, filed on September 25, 2013.

The document number of this limited liability company is L13000135793.

I further certify that said limited liability company has paid all fees due this office through December 31, 2018, that its most recent annual report was filed on February 10, 2018, and that its status is active.

*Given under my hand and the
Great Seal of the State of Florida
at Tallahassee, the Capital, this
the Tenth day of February, 2018*



Ken DeFronzo
Secretary of State

Tracking Number: CC3379318223

To authenticate this certificate, visit the following site, enter this number, and then follow the instructions displayed.

<https://services.sunbiz.org/Filings/CertificateOfStatus/CertificateAuthentication>



- [Searches](#)
- [Sales Search](#)
- [Results](#)
- [Property Record Card](#)
- [My Favorites](#)

Sign up for e-Notify...

2524 Kissam Ct < 18-23-30-6031-00-240 >

Name(s)	Physical Street Address
Mirza Rais Javed	2524 Kissam Ct
Mirza Zehra	Postal City and Zipcode
Mailing Address On File	Orlando, FL 32809
2524 Kissam Ct	Property Use
Belle Isle, FL 32809-3587	0104 - Single Fam Class IV
Incorrect Mailing Address?	Municipality
	Belle Isle



View 2017 Property Record Card

- [Property Features](#)
- [Values, Exemptions and Taxes](#)
- [Sales Analysis](#)
- [Location Info](#)
- [Market Stats](#)
- [Update Information](#)

2018 values will be available in August of 2018.

Property Description

[View Plat](#)

OAK ISLAND SECOND REPLAT 24/105 LOT 24 (LESS BEG SE COR LOT 24 TH RUN N 35 FT W 122.73 FT S 74 DEG E 127.63 FT TO POB)

Total Land Area 34,670 sqft (+/-) | 0.80 acres (+/-) GIS Calculated Notice

Land

Land Use Code	Zoning	Land Units	Unit Price	Land Value	Class Unit Price	Class Value
0130 - Sfr - Lake Front	R-1-AA	1 LOT(S)	working...	working...	working...	working...

Page 1 of 1 (1 total records)

Buildings

Important Information		Structure				
	Model Code:	01 - Single Fam Residence	Actual Year Built:	2006	Gross Area:	9908 sqft
	Type Code:	0104 - Single Fam Class IV	Beds:	5	Living Area:	6097 sqft
	Building Value:	working...	Baths:	5.5	Exterior Wall:	Concrete Block Stucco
	Estimated New Cost:	working...	Floors:	2	Interior Wall:	Drywall

Page 1 of 1 (1 total records)

Extra Features

Description	Date Built	Units	XFOB Value
BD3 - Boat Dock 3	09/13/2006	1 Unit(s)	working...
BC3 - Boat Cover 3	09/13/2006	1 Unit(s)	working...
PL3 - Large Elaborate Pool	09/13/2006	1 Unit(s)	working...
FNT1 - Decorative Fountain	09/13/2006	1 Unit(s)	working...

Page 1 of 1 (4 total records)

This Data Printed on 06/27/2018 and System Data Last Refreshed on 06/26/2018