



BUILDING JOB SITE CARD

City of Belle Isle

BUILDING PERMIT 2017-08-114

PERMIT MUST BE POSTED ON SITE

Permit Number: 2017-08-114

Site Address: 2931 Cullen Lake Shore Dr, 32812
700

Subdivision:

Description of Work: one size for size window replacement

Issue Date: 08.21.2017

Parcel Number: 18-23-30-4386-03-

Class: Residential

Issued To: DCH Custom Builders Inc

Name: Hewitt, David

Payment Date & Method: 8-24-17 check 3838 \$47.50

Business Phone: 407 701 0914

Contractor License #: CBC1256928

Inspection requests are to be emailed to BiDscheduling@UniversalEngineering.com; a confirmation email will be sent back to you upon scheduling. Next-Day Inspection requests must be made by 4pm. Please include the following in your request: Permit #, project address, type of inspection, date of the requested inspection, a contact name & a contact phone number. AM or PM may be requested but cannot be guaranteed.

"WARNING TO OWNER: YOUR FAILURE TO RECORD A NOTICE OF COMMENCEMENT MAY RESULT IN YOUR PAYING TWICE FOR IMPROVEMENTS TO YOUR PROPERTY. IF YOU INTEND TO OBTAIN FINANCING, CONSULT WITH YOUR LENDER OR AN ATTORNEY BEFORE RECORDING YOUR NOTICE OF COMMENCEMENT."

BUILDING	INSPECTOR	DATE	COMMENTS
Demo Final			
Footing			
Stem Wall			
Slab			
Lintel/Tie Beam			
Down Pour			
Tilt Panel			
Window In-progress			
Sheathing (wall)			
Sheathing (roof)			
Framing			
Fire Rated Assembly			
Above-Ceiling			
Insulation			
Lathe			
Pool Steel & Ground			
Pool PERMIT # Safety			
Final			



City of Belle Isle
 Universal Engineering Sciences 3532 Maggie Blvd., Orlando, FL 32811
 Tel 407-581-8161 * Fax 407-581-0313 * www.universalengineering.com

RECEIVED
 2017 17 2017

APPLICATION FOR SIZE-FOR-SIZE WINDOW / DOOR PERMIT

WARNING TO OWNER: YOUR FAILURE TO RECORD A NOTICE OF COMMENCEMENT MAY RESULT IN YOUR PAYING TWICE FOR IMPROVEMENTS TO YOUR PROPERTY. A NOTICE OF COMMENCEMENT MUST BE RECORDED AND POSTED ON THE JOB SITE BEFORE THE FIRST INSPECTION. IF YOU INTEND TO OBTAIN FINANCING, CONSULT WITH YOUR LENDER OR AN ATTORNEY BEFORE RECORDING YOUR NOTICE OF COMMENCEMENT.

DATE OF APPLICATION: 8-17-17

PERMIT NUMBER 2017-08-114

PLEASE PRINT. The undersigned hereby applies for a permit to make installations as indicated below:

Project Address 2931 Cullen Lake Shore Dr., Belle Isle, FL 32809 32812
 Property Owner Samuel McLeod Phone 407-616-3404
 Property Owner's Mailing Address 2931 Cullen Lake Shore Dr City Belle Isle
 State FL Zip Code 32812 Parcel Id Number: 18-23-30-4386-03-700
 REQUIRED! To obtain this information, please visit <http://www.ocpafi.org/Searches/ParcelSearch.aspx>

Type of Building: Residential Commercial Other

- **REQUIRED!** Florida Product Approval Screen Printout from www.floridabuilding.org showing the Code Version
- **REQUIRED!** Florida Product Approval Installation Instructions from www.floridabuilding.org (not the manufacturer instructions)
- **REQUIRED!** Copies of your General Liability & Worker's Comp Insurance Certificate & State and Local Licenses

Please indicate the nature of work by completing the information below:

Number of Size-for-Size Windows: 1 Number of Size-for-Size Doors: _____ Job Valuation: 1,500.00

I hereby certify that the above is true and correct to the best of my knowledge and make Application for Permit as outlined above, and if same is granted I agree to conform to all Florida Building Code Regulations and City Ordinances regulating same and in accordance with plans submitted. The issuance of this permit does not grant permission to violate any applicable Town and/or State of Florida codes and/or ordinances. By signing below, I recognize Republic Services is by legal contract the sole authorized provider of garbage, recycling, yard waste, and commercial garbage and construction debris collection and disposal services with the city limits of the City. Contractors, homeowners and commercial businesses may contact Republic Services at 407-293-8000 to setup accounts for Commercial, Construction Roll Off, or other services needed. Rates are fixed by contract and are available at City Hall or from Republic Services. The City enforces the contract through its code enforcement office. Failure to comply will result in a stop work order.

BY SIGNING THIS APPLICATION, YOU ARE CERTIFYING THAT YOU ARE ACTING AS THE OWNER'S AGENT FOR THIS PERMIT:

LICENSE HOLDER SIGNATURE David Hewitt LICENSE # cbc1256928
 LICENSE HOLDER NAME David Hewitt COMPANY NAME DCH Custom Builder Inc.
 Street Address 8503 Wythmere Lane
 City Orlando State FL Zip Code 32835 Phone Number 407-701-0914
 Email Address davech1@hotmail.com

Check 3838 8.24.17

Zoning Fee \$ 0
 Permit Fee \$ 29
 Review Fee \$ 14.50
 3% Florida Surcharge \$ 4 (mm)
 Total Permit Fee \$ 47.50

Building Official: _____ Date _____
 Verified Contractor's Licenses & Insurance are on file _____ Date _____

1st 1k x 4
25
29 ÷ 2
29
14.50
43.50



City of Belle Isle

Universal Engineering Sciences 3532 Maggie Blvd., Orlando, FL 32811
 Tel 407-581-8161 * Fax 407-581-0313 * www.universalengineering.com

Product Approval Form

DATE: 8-17-17

PERMIT # 2017-08-114

PROJECT ADDRESS 2931 Cullen Lake Shore Dr, Belle Isle, FL 32809 32812

As required by Florida Statue 553.842 and Florida Administrative Code 9B-72m, please provide the information and approval numbers of the building components listed below if they will be utilized on the building or structure. FL Approved products are listed online at www.floridabuilding.org or can be obtained from the local product supplier. The following information must be turned in with permit application and available onsite for inspections:

1. **This Product Approval Cover Sheet**
2. **Internet screen from FloridaBuilding.org showing PA#, approval and code edition stamped**
3. **Manufacturer's installation details from FloridaBuilding.org and requirements for each product stamped**

Product Type	Manufacturer	Model/Series	FL Product Approval #	Product Type	Manufacturer	Model/Series	FL Product Approval #
EXTERIOR DOORS				WALL PANELS			
Swinging				Sliding			
Sliding				Soffits			
Sectional/Rollup				Storefront			
Other				Glass Block			
				Other			
WINDOWS				ROOFING PRODUCTS			
Single/Dbf Hung				Asphalt Shingles			
Horizontal Slider				Non Struct Metal			
Casement	perma shield	vinyle Clad	FL12496-R	Roofing Tiles			
Fixed				Single Ply Roof			
Mullion				Underlayment			
Skylights				Other			
Other							
STRUCTURAL COMPONENTS				OTHER			
Wood Connectors							
Wood Anchors							
Truss Plates							
Insulation Forms							
Lintels							
Other							

It is the applicant's responsibility to verify that specific products have been installed in accordance with their limitations and with the minimum required design pressures for the structure. Specific compliance will be verified during field inspections.

Applicant Signature *David Chen*

Date 8-17-17



[BCIS Home](#) |
 [Log In](#) |
 [User Registration](#) |
 [Hot Topics](#) |
 [Submit Surcharge](#) |
 [Stats & Facts](#) |
 [Publications](#) |
 [FBC Staff](#) |
 [BCIS Site Map](#) |
 [Links](#) |
 [Search](#)



Product Approval
USER: Public User

[Product Approval Menu](#) >
 [Product or Application Search](#) >
 [Application List](#) >
 Application Detail



FL #	FL12496-R3																		
Application Type	Revision																		
Code Version	2014																		
Application Status	Approved																		
Comments																			
Archived	<input type="checkbox"/>																		
Product Manufacturer	Andersen Corporation																		
Address/Phone/Email	100 Fourth Avenue North Bayport, MN 55003 (651) 264-5308 alan.barstad@AndersenCorp.com																		
Authorized Signature	Alan Barstad alan.barstad@AndersenCorp.com																		
Technical Representative	Steve Berg																		
Address/Phone/Email	100 Fourth Avenue North Bayport, MN 55003 (651) 264-7425 steve.berg@andersencorp.com																		
Quality Assurance Representative																			
Address/Phone/Email																			
Category	Windows																		
Subcategory	Casement																		
Compliance Method	Evaluation Report from a Florida Registered Architect or a Licensed Florida Professional Engineer <input checked="" type="checkbox"/> Evaluation Report - Hardcopy Received																		
Florida Engineer or Architect Name who developed the Evaluation Report	Hermes F. Norero, P.E.																		
Florida License	PE-73778																		
Quality Assurance Entity	Window and Door Manufacturers Association-QA																		
Quality Assurance Contract Expiration Date	12/31/2018																		
Validated By	Locke Bowden <input checked="" type="checkbox"/> Validation Checklist - Hardcopy Received																		
Certificate of Independence	FL12496_R3_COI_Andersen_COI_SS_2015-02-23.pdf																		
Referenced Standard and Year (of Standard)	<table border="0"> <thead> <tr> <th>Standard</th> <th>Year</th> </tr> </thead> <tbody> <tr> <td>AAMA/WDMA/CSA 101/I.S.2/A440</td> <td>2005</td> </tr> <tr> <td>AAMA/WDMA/CSA 101/I.S.2/A440</td> <td>2008</td> </tr> <tr> <td>ASIM E1886</td> <td>2002</td> </tr> <tr> <td>ASTM E1886</td> <td>2005</td> </tr> <tr> <td>ASTM E1996</td> <td>2002</td> </tr> <tr> <td>TAS 201</td> <td>1994</td> </tr> <tr> <td>TAS 202</td> <td>1994</td> </tr> <tr> <td>TAS 203</td> <td>1994</td> </tr> </tbody> </table>	Standard	Year	AAMA/WDMA/CSA 101/I.S.2/A440	2005	AAMA/WDMA/CSA 101/I.S.2/A440	2008	ASIM E1886	2002	ASTM E1886	2005	ASTM E1996	2002	TAS 201	1994	TAS 202	1994	TAS 203	1994
Standard	Year																		
AAMA/WDMA/CSA 101/I.S.2/A440	2005																		
AAMA/WDMA/CSA 101/I.S.2/A440	2008																		
ASIM E1886	2002																		
ASTM E1886	2005																		
ASTM E1996	2002																		
TAS 201	1994																		
TAS 202	1994																		
TAS 203	1994																		

INSTALLATION NOTES:

- ONE (1) INSTALLATION ANCHOR IS REQUIRED AT EACH ANCHOR LOCATION SHOWN, UNLESS OTHERWISE STATED.
- THE NUMBER OF INSTALLATION ANCHORS DERIVED IS THE MINIMUM NUMBER OF ANCHORS TO BE USED FOR PRODUCT INSTALLATION.
- INSTALL INDIVIDUAL INSTALLATION ANCHORS WITHIN A TOLERANCE OF ±1/2 INCH OF THE DERIVED LOCATION IN THE ANCHOR LAYOUT DETAIL (I.E. WITHOUT CONSIDERATION OF TOLERANCES). TOLERANCES ARE NOT CUMULATIVE FROM ONE INSTALLATION ANCHOR TO THE NEXT.
- INSTALLATION CLIP: FOR INSTALLATION INTO 2X WOOD FRAME USE ONE (1) #8 WOOD SCREWS OR ONE (1) #10 WOOD SCREW PER INSTALLATION CLIP OF SUFFICIENT LENGTH TO ACHIEVE 1 1/2 INCH MINIMUM EMBEDMENT INTO WOOD SUBSTRATE.
- INSTALLATION CLIP: FOR INSTALLATION THROUGH 1X BUCK TO CONCRETE/MASONRY, OR DIRECTLY INTO CONCRETE/MASONRY, USE ONE (1) 3/16 INCH (1 1/4" TAPCON PER INSTALLATION CLIP OF SUFFICIENT LENGTH TO ACHIEVE 1 1/4" INCH MINIMUM EMBEDMENT.
- INSTALLATION CLIP: FOR INSTALLATION THROUGH METAL STUD USE ONE (1) #8 SELF-TAPPING SCREWS PER INSTALLATION CLIP OF SUFFICIENT LENGTH TO ACHIEVE 3 THREADS MINIMUM PENETRATION BEYOND METAL FRAME SUBSTRATE.
- FASTENER THROUGH FRAME: FOR INSTALLATION INTO 2X WOOD FRAME USE ONE (1) #10 WOOD SCREW PER LOCATION OF SUFFICIENT LENGTH TO ACHIEVE 1 1/2 INCH MINIMUM EMBEDMENT INTO WOOD SUBSTRATE.
- FASTENER THROUGH FRAME: FOR INSTALLATION THROUGH 1X BUCK TO CONCRETE/MASONRY, OR DIRECTLY INTO CONCRETE/MASONRY, USE ONE (1) 3/16 INCH (1 1/4" TAPCON PER LOCATION OF SUFFICIENT LENGTH TO ACHIEVE 1 1/4" INCH MINIMUM EMBEDMENT.
- FASTENER THROUGH FRAME: FOR INSTALLATION THROUGH METAL STUD USE ONE (1) #8 SELF-TAPPING SCREWS PER LOCATION OF SUFFICIENT LENGTH TO ACHIEVE 3 THREADS MINIMUM PENETRATION BEYOND METAL FRAME SUBSTRATE.
- MAILING FLANGE: FOR INSTALLATION INTO 2X WOOD FRAME USE ONE (1) #8 WOOD SCREW OR 8D COMMON NAIL PER LOCATION OF SUFFICIENT LENGTH TO ACHIEVE 1 1/2 INCH MINIMUM EMBEDMENT INTO WOOD SUBSTRATE.
- MAILING FLANGE: FOR INSTALLATION THROUGH METAL STUD USE ONE (1) #8 SELF-TAPPING SCREW OF SUFFICIENT LENGTH TO ACHIEVE 3 THREADS MINIMUM PENETRATION BEYOND METAL FRAME SUBSTRATE.
- MINIMUM EMBEDMENT AND EDGE DISTANCE EXCLUDE WALL FINISHES INCLUDING BUT NOT LIMITED TO STUCCO, FOAM, BRICK VENEER, AND SIDING.
- INSTALLATION ANCHORS AND ASSOCIATED HARDWARE MUST BE MADE OF CORROSION RESISTANT MATERIAL OR HAVE A CORROSION RESISTANT COATING.
- FOR HOLLOW BLOCK AND GROUT FILLED BLOCK, DO NOT INSTALL INSTALLATION ANCHORS INTO WORK OR JOINTS. EDGE DISTANCE IS MEASURED FROM FREE EDGE OF BLOCK OR EDGE OF MORTAR JOINT INTO FACE SHELL OF BLOCK.
- INSTALLATION ANCHORS SHALL BE INSTALLED IN ACCORDANCE WITH ANCHOR MANUFACTURER'S INSTALLATION INSTRUCTIONS, AND ANCHORS SHALL NOT BE USED IN SUBSTRATES WITH STRENGTHS LESS THAN THE MINIMUM STRENGTH SPECIFIED BY THE ANCHOR MANUFACTURER.
- INSTALLATION ANCHOR CAPACITIES FOR PRODUCTS HEREIN ARE BASED ON SUBSTRATE MATERIALS WITH THE FOLLOWING PROPERTIES:
 - WOOD - MINIMUM SPECIFIC GRAVITY OF 0.55.
 - CONCRETE - MINIMUM COMPRESSIVE STRENGTH OF 3000 PSI.
 - MASONRY - STRENGTH COMPLIANCE TO ASTM C 90.
 - STEEL - MINIMUM YIELD STRENGTH OF 33 KSI. MINIMUM WALL THICKNESS OF 3/32 INCH (20 GAUGE).
 - ALUMINUM - 1/8" MINIMUM THICKNESS (6063-T5).

ANDERSEN CORPORATION, INC

PERMA SHIELD CASEMENT - NON-IMPACT

GENERAL NOTES:

- THE PRODUCT SHOWN HEREIN IS DESIGNED AND MANUFACTURED TO COMPLY WITH THE 5TH EDITION FLORIDA BUILDING CODE (FBC), 2012 INTERNATIONAL BUILDING CODE AND THE 2012 INTERNATIONAL RESIDENTIAL CODE EXCLUDING HVHZ, AND HAS BEEN EVALUATED ACCORDING TO THE FOLLOWING:
 - AAMA WDMA/CSA 101.1/5.2/440-05/08
- ADEQUACY OF THE EXISTING STRUCTURAL CONCRETE/MASONRY, 2X AND METAL STUD FRAMING AS A MAIN WIND FORCE RESISTING SYSTEM CAPABLE OF WITHSTANDING AND TRANSFERRING APPLIED PRODUCT LOADS TO THE FOUNDATION IS THE RESPONSIBILITY OF THE ENGINEER OR ARCHITECT OF RECORD FOR THE PROJECT OF INSTALLATION.
- 1X AND 2X BUICKS (WHEN USED) SHALL BE DESIGNED AND ANCHORED TO PROPERLY TRANSFER ALL LOADS TO THE STRUCTURE. BUICK DESIGN AND INSTALLATION IS THE RESPONSIBILITY OF THE ENGINEER OR ARCHITECT OF RECORD FOR THE PROJECT OF INSTALLATION.
- THE INSTALLATION DETAILS DESCRIBED HEREIN ARE GENERAL AND MAY NOT REFLECT ACTUAL CONDITIONS FOR A SPECIFIC SITE. IF SITE CONDITIONS CAUSE INSTALLATION TO DEVIATE FROM THE REQUIREMENTS DETAILED HEREIN, A LICENSED ENGINEER OR ARCHITECT SHALL PREPARE SITE SPECIFIC DOCUMENTS FOR USE WITH THIS DOCUMENT.
- APPROVED IMPACT PROTECTIVE SYSTEM IS REQUIRED TO PROTECT THIS PRODUCT IN AREAS REQUIRING IMPACT RESISTANCE.
- WINDOW FRAME MATERIAL: **POWDERCOAT PINE OR EQUAL.**
- GLASS MEETS THE REQUIREMENTS OF ASTM E3300-04 GLASS CHARTS. SEE SHEET 5 FOR GLAZING DETAILS.
- DESIGNATIONS "X" AND "O" STAND FOR THE FOLLOWING:
 - X: OPERABLE PANEL
 - O: FIXED PANEL
- CUSTOM SIZES AVAILABLE UPON REQUEST.

SHEET		REVISION	DESCRIPTION
1	B		GENERAL & INSTALLATION NOTES
2	A		ELEVATIONS
3	A		ELEVATIONS & ANCHOR LAYOUTS
4	A		VERTICAL SECTIONS
5	A		HORIZONTAL SECTIONS & GLAZING DETAIL
6	A		COMPONENTS & BILL OF MATERIALS
7	A		ONE-WAY MULL TABLE (1) & ELEVATIONS
8	A		ONE-WAY TABLE (2) & ELEVATIONS
9	A		TWO-WAY MULL TABLE (1) & ELEVATIONS
10	A		TWO-WAY MULL TABLE (2), ELEVATION C, & MULL ANCHOR DETAILS

SIZE & CONFIGURATION	DESIGN PRESSURE	MITTLE IMPACT PATTING
(O) 72" X 36"	+70/-70 PSF	NON-IMPACT
(X) 36" X 72"	+40/-40 PSF	NON-IMPACT
(X) 36" X 60"	+45/-45 PSF	NON-IMPACT
(X) 36" X 54"	+50/-50 PSF	NON-IMPACT
(X) 28 5/8" X 72"	+50/-50 PSF	NON-IMPACT
(XX) 72" X 60"	+45/-45 PSF	NON-IMPACT
(XX) 56" X 72"	+50/-50 PSF	NON-IMPACT
(XX) 72" X 53"	+50/-50 PSF	NON-IMPACT
(XX) 84" X 60"	+40/-40 PSF	NON-IMPACT
(XX) 72" X 60"	+50/-50 PSF	NON-IMPACT

NOTE: MAILING FLANGE INSTALLATIONS LIMITED TO +/- 50 PSF

Digitally signed by Hermes F. Norero, P.E.
Reason: I am approving this document
Date: 2015.04.20 18:28:08 -04'00'



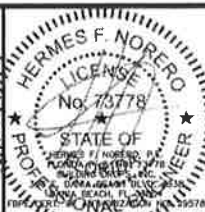
100 FOURTH AVE IN NORTH
BAYPORT, MN 55003-1075
Ph: (651) 264-6190 Fax: (651) 264-5145

TITLE:
PERMA SHIELD CASEMENT (NI)
GENERAL AND INSTALLATION
NOTES

PREPARED BY:
BUILDING DROPS, INC.
398 E. DANIA BEACH BLVD. #338
DANIA BEACH, FL 33004

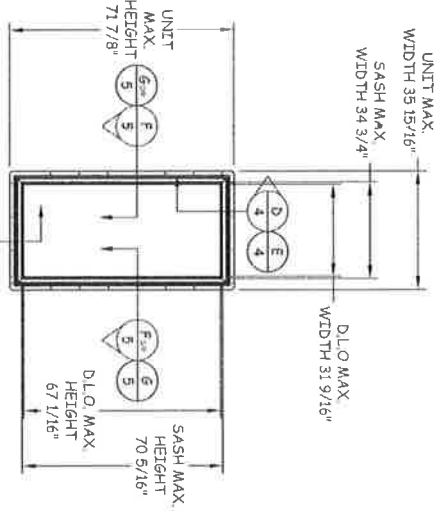
PH: (954) 399-8478 FX: (954) 744-4738

REVISIONS			
NO.	DESCRIPTION	BY	DATE
A	2010 FBC CODE CHANGE	MS	02.22.12
B	5TH EDITION FBC CODE CHANGE	SM	4.8.15

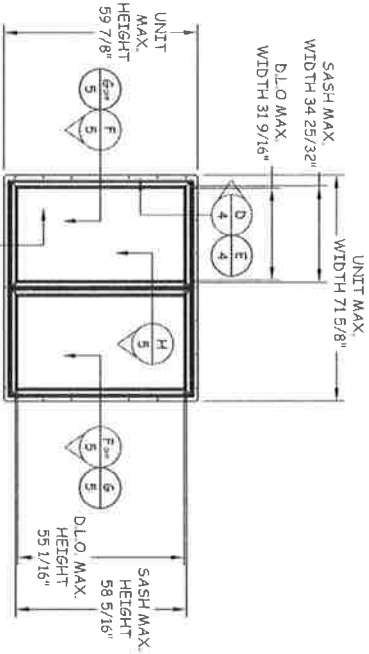


DATE: 12.01.09
DWG #:
AWD027
SHEET: 1 OF 10

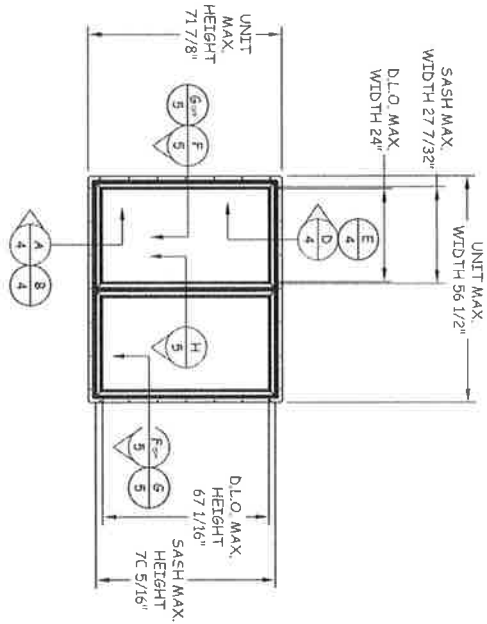
NOTE: ALL CONFIGURATIONS MAY VARY AS FIXED OR OPERABLE UNITS IN ANY COMBINATION



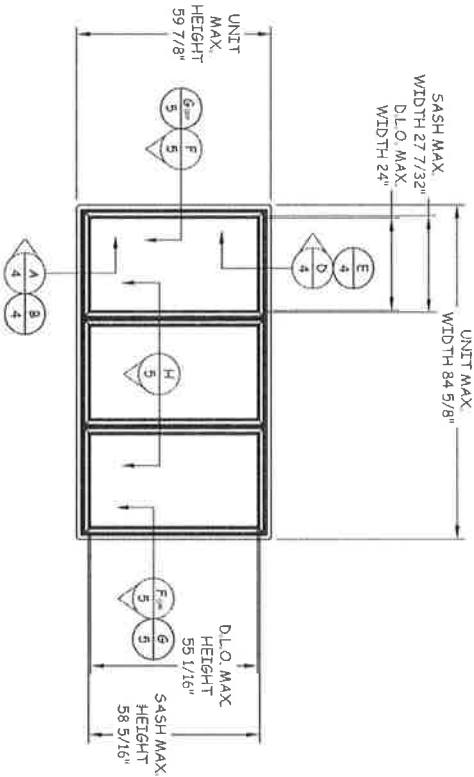
ELEVATION
CW16



ELEVATION
CW25



ELEVATION
CW26



ELEVATION
CW35

REVISIONS

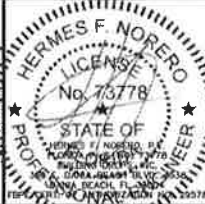
NO.	DESCRIPTION	BY	DATE
A	2010 FBC CODE CHANGE	MS	02.22.12

TITLE:
PERMA SHIELD CASEMENT (NI) ELEVATIONS

PREPARED BY:
BUILDING DROPS, INC.
398 E. DANIA BEACH BLVD. #338
DANIA BEACH, FL 33004

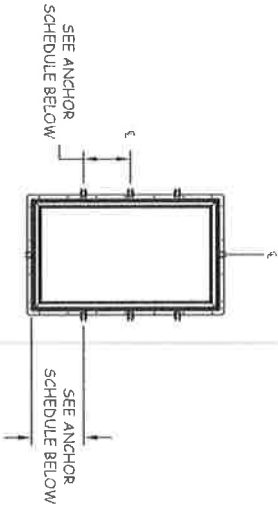
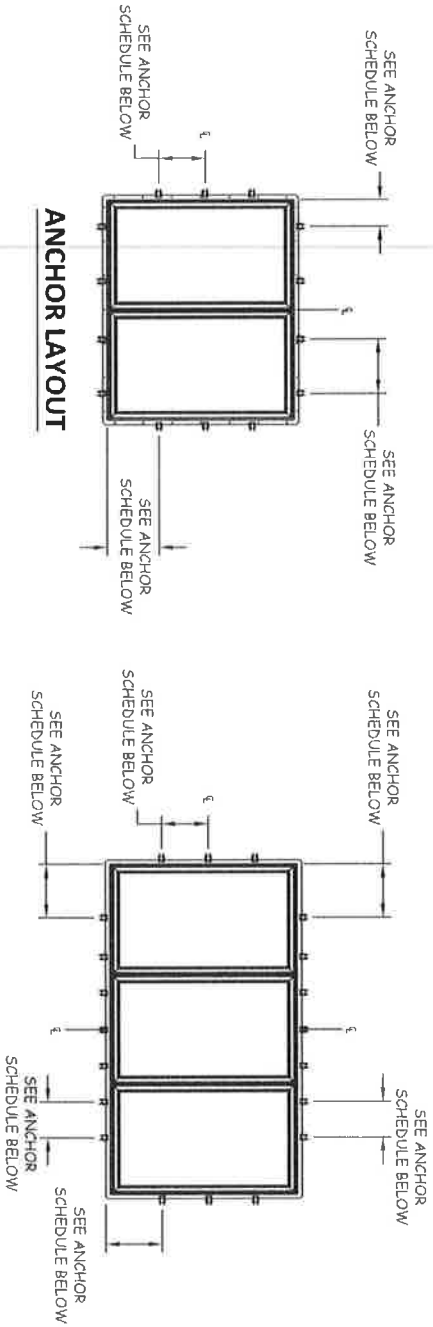
PH: (954) 399-8478 FX: (954) 744-4738

100 FOULDAVE N NORTH
BAYPORT, MN 55003-1096
PH: (651) 264-0150 FX: (651) 264-5545



DATE: 12.01.09
DWN BY: KSD
CHK BY: HFN
SCALE: NTS
DWG #: AWD027
SHEET: 2 OF 10

NOTE: ALL CONFIGURATIONS MAY VARY AS FIXED OR OPERABLE UNITS IN ANY COMBINATION



*NOTE: NAILING FLANGE INSTALLATION LIMITED TO +/- 50 PSF

ANCHOR SCHEDULE

INSTALLATION TYPE	QTY PER LOCATION	SUBSTRATE	ANCHOR TYPE	EMBEDMENT (IN)	EDGE DISTANCE (IN)	HEAD/STILL O.C. DISTANCE (IN)	JAMB O.C. DISTANCE (IN)	CORNER DISTANCE (IN)
CLIP	2	WOOD	#8 WOOD ANCHOR	1.5	0.75	20	20	6
CLIP	1	WOOD	#10 WOOD ANCHOR	1.5	0.75	20	20	6
CLIP	1	CONCRETE/MASONRY	3/16" ITW TAPCON	1.25	2.5	20	20	6
CLIP	1	METAL STUD	#8 SELF-TAPPING SCREW	3 THREADS	N/A	20	20	6
THRU FRAME	1	WOOD	#10 WOOD ANCHOR	1.5	0.75	20	20	6
THRU FRAME	1	CONCRETE/MASONRY	3/16" ITW TAPCON	1.25	2.5	20	20	6
THRU FRAME	1	METAL STUD	#10 SELF-TAPPING SCREW	3 THREADS	N/A	20	20	6
NAILING FLANGE	1	WOOD	#8 WOOD ANCHOR	1.5	0.75	8	8	6
NAILING FLANGE	1	WOOD	8D COMMON NAIL	1.5	0.75	8	8	6
NAILING FLANGE	1	METAL STUD	#8 SELF-TAPPING SCREW	3 THREADS	N/A	8	8	6



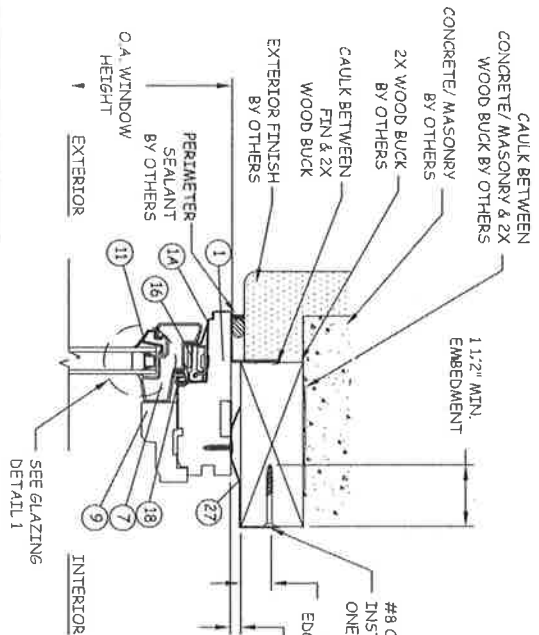
300 E. 40TH AVENUE, NORTH
 BAYWIRET, WILMINGTON, NC 28403-1006
 PH: (651) 264-5500 FX: (651) 244-5485

TITLE:
 PERMA SHIELD CASEMENT (NI)
 ELEVATIONS
 AND ANCHOR LAYOUTS
 PREPARED BY:
 BUILDING DROPS, INC.
 398 E. DANIA BEACH BLVD, #338
 DANIA BEACH, FL 33004
 PH: (954) 399-8478 FX: (954) 744-4738

REVISIONS			
NO.	DESCRIPTION	BY	DATE
A	2010 FBC CODE CHANGE	MS	02.22.12

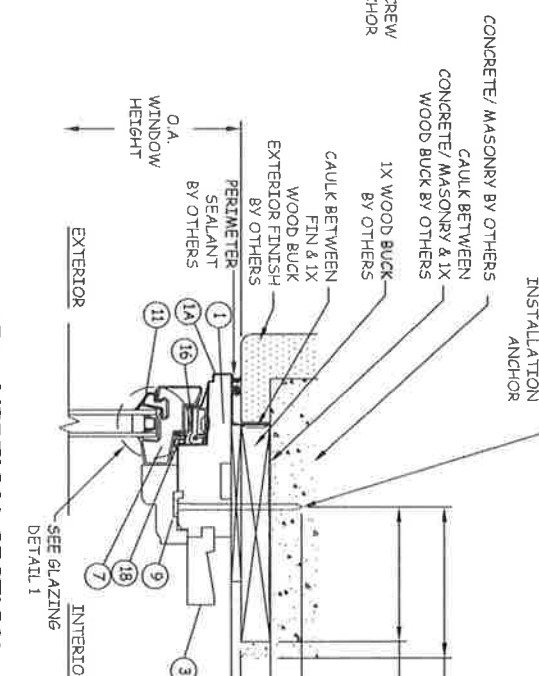


DATE: 12.01.09
 DWN BY: KSD
 CHK BY: HFN
 SCALE: NTS
 DWG #: AWD027
 SHEET: 3 OF 10

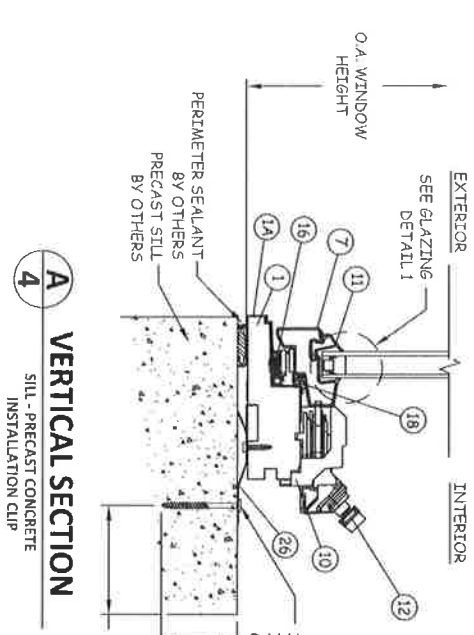


NOTE: WHEN USING INSTALLATION CLIP ITEM # 27, USE OF THE NAILING FIN IS REQUIRED.

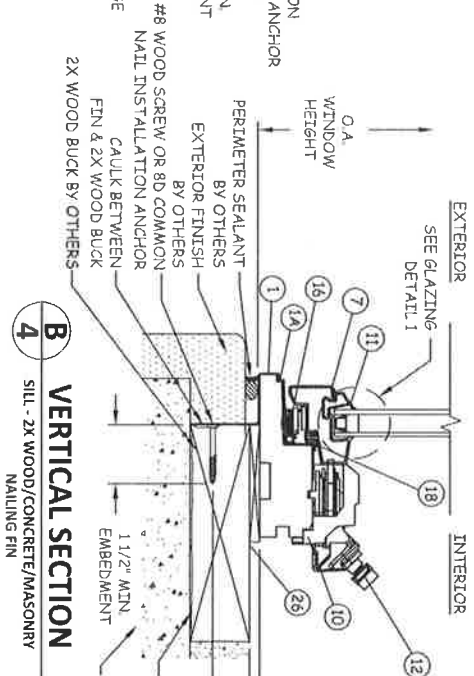
D VERTICAL SECTION
HEAD - 2X WOOD FRAME
INSTALLATION CLIP



E VERTICAL SECTION
HEAD - 1X WOOD/CONCRETE/MASONRY
THROUGH FRAME



A VERTICAL SECTION
SILL - PRECAST CONCRETE
INSTALLATION CLIP



B VERTICAL SECTION
SILL - 2X WOOD/CONCRETE/MASONRY
NAILING FIN

REVISIONS

NO.	DESCRIPTION	BY	DATE
A	2010 FBC CODE CHANGE	MS	02.22.12

TITLE:
PERMA SHIELD CASEMENT (NI)
VERTICAL SECTIONS

PREPARED BY:
BUILDING DROPS, INC.
398 E. DANIA BEACH BLVD. #338
DANIA BEACH, FL 33004

PH: (954) 399-8478 FX: (954) 744-4738

100 FOLIOTT AVENUE NORTH
BAYPORT, MN 55003-1095
PH: (651) 264-6150 FX: (651) 264-5485

DWG #: **AWD027**

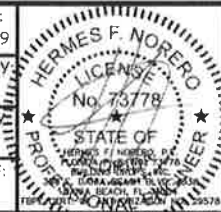
DATE: 12.01.09

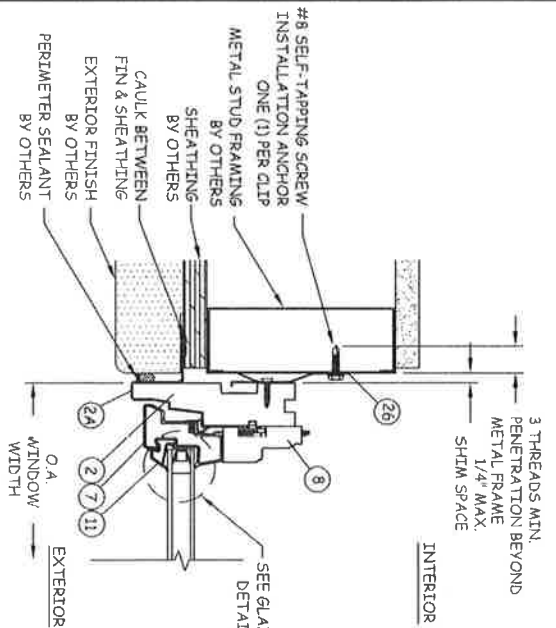
OWN BY: KSD

CHK BY: HFN

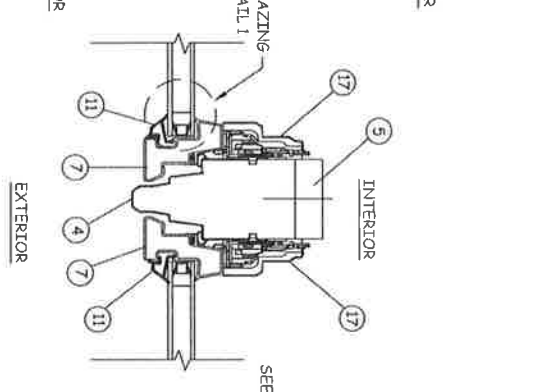
SCALE: NTS

SHEET: **4** OF 10

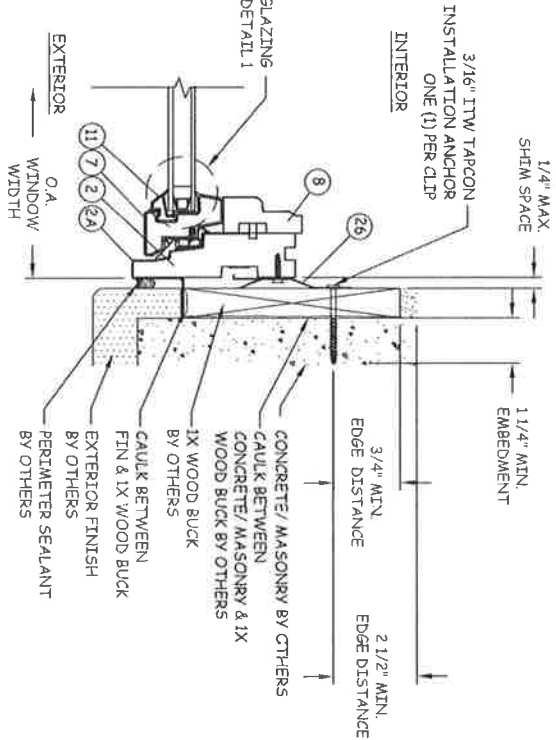




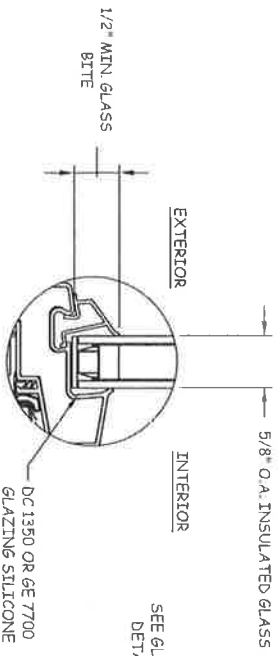
F HORIZONTAL SECTION
JAMB - METAL STUD FRAME
INSTALLATION CLIP



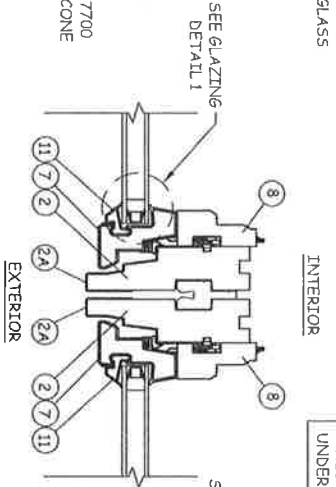
H HORIZONTAL SECTION
INTEGRAL MULLION POST



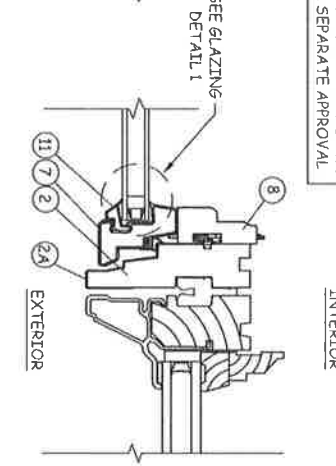
G HORIZONTAL SECTION
JAMB - 1X WOOD/CONCRETE/MASONRY
INSTALLATION CLIP



GLAZING DETAIL 1
NOTE:
GLASS THICKNESS AND TYPE SHALL COMPLY WITH ASTM E 1300-04 GLASS CHART REQUIREMENTS



I HORIZONTAL SECTION
CS/LAW TO CS/LAW
NARROW WOOD MULL



J HORIZONTAL SECTION
CASEMENT/AWNING TO FLEXIRAME
NARROW WOOD MULL

NOTE:
FIXED & AWNING WINDOWS
UNDER SEPARATE APPROVAL

REVISIONS

NO.	DESCRIPTION	BY	DATE
A	2010 FBC CODE CHANGE	MS	02.22.12

TITLE:
PERMA SHIELD CASEMENT (NI)
HORIZONTAL SECTIONS
AND GLAZING DETAILS

PREPARED BY:
BUILDING DROPS, INC.
398 E. DANIA BEACH BLVD. #338
DANIA BEACH, FL 33004

PH: (954) 399-8478 FX: (954) 744-4738

100 FOURTH AVENUE NORTH
BAYPORT, MN 55003-1095
PH: (651) 264-5150 FX: (651) 264-5485

Andersen
AW
WINDOWS

DWG #:
AWD027

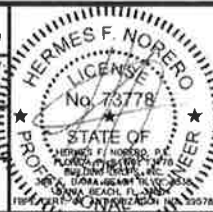
DATE:
12.01.09

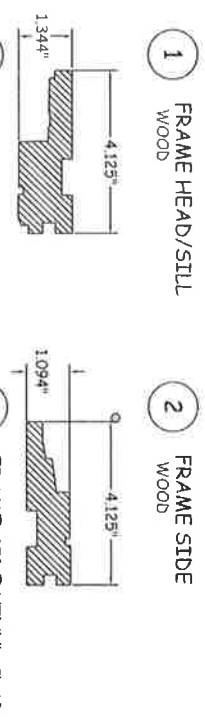
OWN BY:
KSD

CHK BY:
HFN

SCALE:
NTS

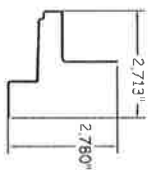
SHEET:
5 OF 10



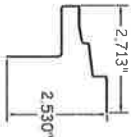


1 FRAME HEAD/SILL
WOOD

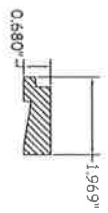
2 FRAME SIDE
WOOD



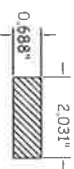
3 EXTENSION JAMB
WOOD



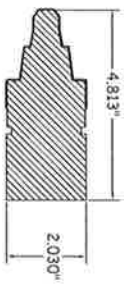
5 MULLION POST CASING
WOOD



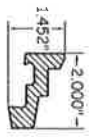
4 MULLION POST
WOOD/PVC



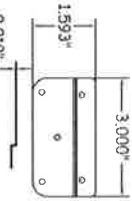
7 SASH RAIL/STILE
WOOD/PVC



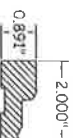
11 GLAZING BEAD
PVC



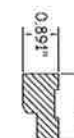
15 STATIONARY SASH CLIP
GALV. STEEL



8 TRIM STOP JAMB
WOOD

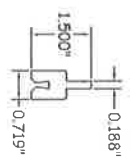


9 TRIM STOP HEAD
WOOD

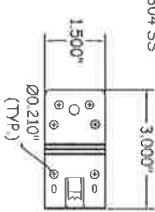


10 TRIM STOP SILL
WOOD

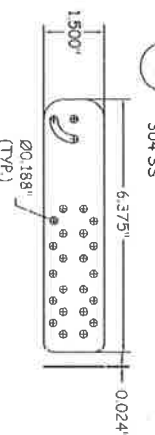
20 NARROW WOOD MULL.
WOOD



21 NARROW WOOD MULL. GUSSET
STEEL



26 INSTALLATION CLIP
304 SS



27 INSTALLATION CLIP
304 SS

BILL OF MATERIALS		DESCRIPTION	MATERIAL	MANUFACTURER
NO.	PART NUMBER			
1	30835	FRAME HEAD/SILL	WOOD	ANDERSEN
2	30836	FRAME SIDE	WOOD	ANDERSEN
3	30808	EXTENSION JAMB	WOOD	ANDERSEN
4	30839	MULLION POST	WOOD/PVC	ANDERSEN
5	30056	MULLION POST CASING	WOOD	ANDERSEN
6	30016	SASH RAIL/STILE	WOOD/PVC	ANDERSEN
7	30847/8	TRIM STOP JAMB	WOOD	ANDERSEN
8	30840/41	TRIM STOP HEAD	WOOD	ANDERSEN
9	30842-45	TRIM STOP SILL	WOOD	ANDERSEN
10	35031	GLAZING BEAD	PVC	-
11	30809/10	ROTO OPERATOR	STEEL	AMEROCK CORP.
12	30241	SNIGGER	ALUMINUM	-
13	30241	SNIGGER SCREW	-	-
14	#7 X 3/4"	STATIONARY SASH CLIP	GALV. STEEL	-
15	30053	HINGES	STEEL	AMEROCK CORP.
16	30813/15	LOCK W/ KEEPERS ON SASH	STEEL	AMEROCK CORP.
17	30213/14	WEATHER STRIPPING	-	-
18		NOT USED	-	-
19		NARROW WOOD MULLION	STEEL	-
20		NARROW WOOD MULL. GUSSET PLATE	GALV. STEEL	-
21		BRAD NAILS 1-1/2" LONG	-	-
22		FOAM WEATHERSTRIPPING	-	-
23	30172	FRAME SIDE VINYL CLADDING	PVC	ANDERSEN
24	30023	FRAME HEAD/SILL VINYL CLADDING	PVC	ANDERSEN
25	30023	INSTALLATION CLIP	304 SS	-
26		INSTALLATION CLIP	304 SS	-
27			-	-

NOTE: ALL WOOD TO BE PONDEROSA PINE OR EQUAL

REVISIONS

NO.	DESCRIPTION	BY	DATE
A	2010 FBC CODE CHANGE	MS	02.22.12

DATE: 12.01.09
DWN BY: KSD
CHK BY: HPN
SCALE: NTS

DWG #: AWD027
SHEET: 6 OF 10

HERMES F. NORERO
PROFESSIONAL ENGINEER
STATE OF FLORIDA
NO. 75778

TITLE:
PERMA SHIELD CASEMENT (NI)
COMPONENTS AND
BILL OF MATERIALS

PREPARED BY:
BUILDING DROPS, INC.
398 E. DANIA BEACH BLVD. #338
DANIA BEACH, FL 33004

PH: (954) 399-6478 FX: (954) 744-4738

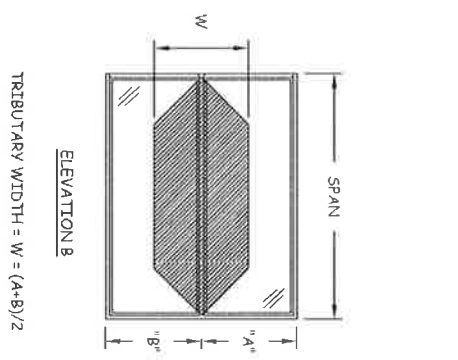
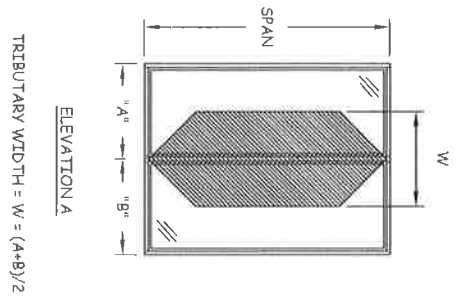
Andersen
WINDOWS-DOORS

100 FOURTH AVE IN NORTH
 BAYVOST, MN 55003-1098
 PH: (651) 264-9100 FX: (651) 264-5885

Maximum Design Pressure Capacity Chart (psf)
One-Way Narrow Wood Mullion
 Design pressures are limited by mullion capacity only.

Span (in)	Tributary Width (in)																							
	18.0	25.0	30.0	37.0	42.0	49.0	54.0	61.0	66.0	73.0	78.0	85.0	90.0	97.0	102.0	109.0	114.0	121.0	126.0	133.0	138.0	145.0	150.0	
30.0	80.0	80.0	80.0	80.0	80.0	80.0	80.0	80.0	80.0	80.0	80.0	80.0	80.0	80.0	80.0	80.0	80.0	80.0	80.0	80.0	80.0	80.0	80.0	80.0
37.0	80.0	80.0	80.0	80.0	80.0	80.0	80.0	80.0	80.0	80.0	80.0	80.0	80.0	80.0	80.0	80.0	80.0	80.0	80.0	80.0	80.0	80.0	80.0	80.0
42.0	80.0	80.0	80.0	80.0	80.0	80.0	80.0	80.0	80.0	80.0	80.0	80.0	80.0	80.0	80.0	80.0	80.0	80.0	80.0	80.0	80.0	80.0	80.0	80.0
49.0	80.0	80.0	80.0	80.0	80.0	80.0	80.0	80.0	80.0	80.0	80.0	80.0	80.0	80.0	80.0	80.0	80.0	80.0	80.0	80.0	80.0	80.0	80.0	80.0
54.0	80.0	80.0	80.0	80.0	80.0	80.0	80.0	80.0	80.0	80.0	80.0	80.0	80.0	80.0	80.0	80.0	80.0	80.0	80.0	80.0	80.0	80.0	80.0	80.0
61.0	80.0	80.0	80.0	80.0	80.0	80.0	80.0	80.0	80.0	80.0	80.0	80.0	80.0	80.0	80.0	80.0	80.0	80.0	80.0	80.0	80.0	80.0	80.0	80.0
66.0	80.0	80.0	80.0	80.0	80.0	80.0	80.0	80.0	80.0	80.0	80.0	80.0	80.0	80.0	80.0	80.0	80.0	80.0	80.0	80.0	80.0	80.0	80.0	80.0
73.0	80.0	80.0	80.0	80.0	80.0	80.0	80.0	80.0	80.0	80.0	80.0	80.0	80.0	80.0	80.0	80.0	80.0	80.0	80.0	80.0	80.0	80.0	80.0	80.0
78.0	80.0	80.0	80.0	80.0	80.0	80.0	80.0	80.0	80.0	80.0	80.0	80.0	80.0	80.0	80.0	80.0	80.0	80.0	80.0	80.0	80.0	80.0	80.0	80.0
85.0	80.0	80.0	80.0	80.0	80.0	80.0	80.0	80.0	80.0	80.0	80.0	80.0	80.0	80.0	80.0	80.0	80.0	80.0	80.0	80.0	80.0	80.0	80.0	80.0
90.0	80.0	80.0	80.0	80.0	80.0	80.0	80.0	80.0	80.0	80.0	80.0	80.0	80.0	80.0	80.0	80.0	80.0	80.0	80.0	80.0	80.0	80.0	80.0	80.0
97.0	80.0	80.0	80.0	80.0	80.0	80.0	80.0	80.0	80.0	80.0	80.0	80.0	80.0	80.0	80.0	80.0	80.0	80.0	80.0	80.0	80.0	80.0	80.0	80.0
102.0	80.0	80.0	80.0	80.0	80.0	80.0	80.0	80.0	80.0	80.0	80.0	80.0	80.0	80.0	80.0	80.0	80.0	80.0	80.0	80.0	80.0	80.0	80.0	80.0
109.0	80.0	80.0	80.0	80.0	80.0	80.0	80.0	80.0	80.0	80.0	80.0	80.0	80.0	80.0	80.0	80.0	80.0	80.0	80.0	80.0	80.0	80.0	80.0	80.0
114.0	80.0	80.0	80.0	80.0	80.0	80.0	80.0	80.0	80.0	80.0	80.0	80.0	80.0	80.0	80.0	80.0	80.0	80.0	80.0	80.0	80.0	80.0	80.0	80.0
121.0	80.0	80.0	80.0	80.0	80.0	80.0	80.0	80.0	80.0	80.0	80.0	80.0	80.0	80.0	80.0	80.0	80.0	80.0	80.0	80.0	80.0	80.0	80.0	80.0

- NOTE:
- MULLION CHART APPLIES TO NARROW WOOD MULLION ASSEMBLIES, SEE DETAIL I/5, WHEN USED TO MULL WINDOWS IN CONFIGURATIONS SHOWN IN ELEVATIONS A & B.
 - DESIGN PRESSURE VALUES ARE POSITIVE AND NEGATIVE IN PSF.
 - MAXIMUM DEFLECTION HAS BEEN LIMITED TO L/175.
 - DESIGN PRESSURE OF ASSEMBLY IS LIMITED TO THE LESSER DESIGN PRESSURE OF THE NARROW WOOD MULLION OR THE INDIVIDUAL WINDOW UNIT OF INSTALLATION.
 - MULLION CHART ABOVE APPLIES TO MULLED ASSEMBLIES CONSISTING OF 400 SERIES CASEMENT WINDOWS, AWNING WINDOWS, OR THE 400 SERIES DIRECT GLAZED VINYL CLAD WINDOWS.
 - ADJACENT WINDOWS SHALL BE FASTENED TO THE ROUGH OPENING IN ACCORDANCE WITH DETAILS K/10 OR L/10, SHEET 10.



REVISIONS

NO.	DESCRIPTION	BY	DATE
A	2010 FBC CODE CHANGE	MS	02.22.12

DATE: 12.01.09
 DWN BY: KSD
 CHK BY: HFN
 SCALE: NTS

DWG #: **AWD027**
 SHEET: **7 OF 10**

HERMES F. NORERO
 LICENSE No. 73778
 STATE OF FLORIDA
 REGISTERED PROFESSIONAL ENGINEER
 398 E. DANIA BEACH BLVD., SUITE 338
 DANIA BEACH, FL 33004
 PH: (954) 399-8478 FAX: (954) 744-4738

Andersen
 WINDOWS-DOORS

100 FOURTH AVENUE NORTH
 BAYPORT, MA 02026-1006
 PH: (631) 264-5150 FX: (631) 264-4185

TITLE:
 PERMA SHIELD CASEMENT (N1)
 ONE WAY MULL TABLE (1) & ELEVATIONS

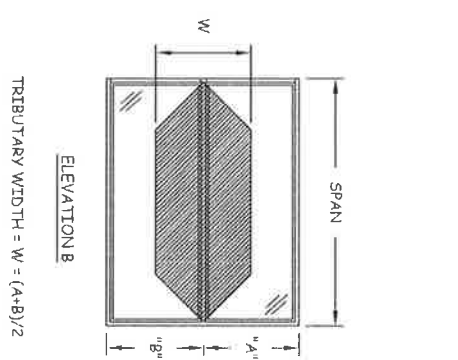
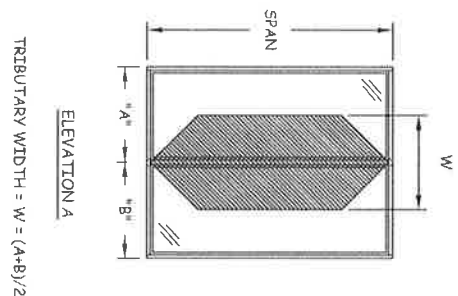
PREPARED BY:
 BUILDING DROPS, INC.
 398 E. DANIA BEACH BLVD. #338
 DANIA BEACH, FL 33004
 PH: (954) 399-8478 FX: (954) 744-4738

Maximum Design Pressure Capacity Chart (+/- PSF) One-Way Narrow Wood Mullion

Design pressures are limited by mullion capacity only.

Span (in)	Tributary Width (in)																						
	18.0	25.0	30.0	37.0	42.0	49.0	54.0	61.0	66.0	73.0	78.0	85.0	90.0	97.0	102.0	109.0	114.0	121.0	126.0	133.0	138.0	145.0	150.0
30.0	80.0	80.0	80.0	80.0	80.0	80.0	80.0	80.0	80.0	80.0	80.0	80.0	80.0	80.0	80.0	80.0	80.0	80.0	80.0	80.0	80.0	80.0	80.0
37.0	80.0	80.0	80.0	80.0	80.0	80.0	80.0	80.0	80.0	80.0	80.0	80.0	80.0	80.0	80.0	80.0	80.0	80.0	80.0	80.0	80.0	80.0	80.0
42.0	80.0	80.0	80.0	80.0	80.0	80.0	80.0	80.0	80.0	80.0	80.0	80.0	80.0	80.0	80.0	80.0	80.0	80.0	80.0	80.0	80.0	80.0	80.0
49.0	80.0	80.0	71.4	62.6	59.1	57.4	57.4	57.4	57.4	57.4	57.4	57.4	57.4	57.4	57.4	57.4	57.4	57.4	57.4	57.4	57.4	57.4	57.4
54.0	80.0	66.5	57.4	49.5	45.0	43.4	42.9	42.9	42.9	42.9	42.9	42.9	42.9	42.9	42.9	42.9	42.9	42.9	42.9	42.9	42.9	42.9	
61.0	69.2	51.3	43.9	37.3	34.2	31.5	30.3	29.7	29.7	29.7	29.7	29.7	29.7	29.7	29.7	29.7	29.7	29.7	29.7	29.7	29.7	29.7	
66.0	58.9	43.4	37.0	31.2	28.4	25.8	24.6	23.7	23.5	23.5	23.5	23.5	23.5	23.5	23.5	23.5	23.5	23.5	23.5	23.5	23.5	23.5	
73.0	47.9	35.2	29.8	25.0	22.6	20.3	19.1	18.0	17.6	17.4	17.4	17.4	17.4	17.4	17.4	17.4	17.4	17.4	17.4	17.4	17.4	17.4	
78.0	39.5	29.0	24.6	20.6	18.7	16.7	15.8	14.8	14.4	14.3	14.2	14.2	14.2	14.2	14.2	14.2	14.2	14.2	14.2	14.2	14.2	14.2	
85.0	30.4	22.3	18.9	15.7	14.2	12.6	11.8	11.0	10.5	10.4	10.3	10.2	10.2	10.2	10.2	10.2	10.2	10.2	10.2	10.2	10.2	10.2	
90.0	25.6	18.7	15.8	13.1	11.8	10.5	9.7	9.0	8.6	8.5	8.3	8.1	8.1	8.1	8.1	8.1	8.1	8.1	8.1	8.1	8.1	8.1	
97.0	20.4	14.9	12.5	10.4	9.3	8.2	7.6	7.0	6.7	6.5	6.3	6.1	6.0	6.0	6.0	6.0	6.0	6.0	6.0	6.0	6.0	6.0	
102.0	18.0	13.1	11.1	9.1	8.2	7.2	6.7	6.1	5.8	5.4	5.3	5.1	5.0	4.9	4.9	4.9	4.9	4.9	4.9	4.9	4.9	4.9	
109.0	14.7	10.7	9.0	7.4	6.6	5.8	5.4	4.9	4.6	4.3	4.2	4.0	3.9	3.8	3.8	3.8	3.8	3.8	3.8	3.8	3.8	3.8	
114.0	12.9	9.4	7.9	6.5	5.8	5.0	4.7	4.2	4.0	3.7	3.6	3.4	3.3	3.2	3.2	3.2	3.1	3.1	3.1	3.1	3.1	3.1	
121.0	10.8	7.8	6.6	5.4	4.8	4.2	3.9	3.5	3.3	3.1	2.9	2.8	2.7	2.6	2.6	2.5	2.5	2.5	2.5	2.5	2.5	2.5	

- NOTE:
- 1) MULLION CHART APPLIES TO NARROW WOOD MULLION ASSEMBLIES, SEE DETAIL J/5, WHEN USED TO MULL WINDOWS IN CONFIGURATIONS SHOWN IN ELEVATIONS A & B.
 - 2) DESIGN PRESSURE VALUES ARE POSITIVE AND NEGATIVE IN PSF.
 - 3) MAXIMUM DEFLECTION HAS BEEN LIMITED TO L/175.
 - 4) DESIGN PRESSURE OF ASSEMBLY IS LIMITED TO THE LESSER DESIGN PRESSURE OF THE NARROW WOOD MULLION OR THE INDIVIDUAL WINDOW UNIT OF INSTALLATION.
 - 5) MULLION CHART ABOVE APPLIES TO MULLED ASSEMBLIES CONSISTING OF 400 SERIES DIRECT SET FRAME WINDOWS, AWNING WINDOWS, AND/OR CASEMENT WINDOWS.
 - 6) ADJACENT WINDOWS SHALL BE FASTENED TO THE ROUGH OPENING IN ACCORDANCE WITH DETAILS K/10 OR L/10, SHEET 10.



REVISIONS

NO.	DESCRIPTION	BY	DATE
A	2010 FBC CODE CHANGE	MS	02.22.12

HERMES F. NORERO
 LICENSE
 No. 73778
 STATE OF FLORIDA
 REGISTERED PROFESSIONAL ENGINEER
 12000 N.W. 11th Street, Suite 200
 Dania Beach, FL 33004
 (954) 251-9229

DATE: 12.01.09
 DWN BY: KSD
 CHK BY: HFN
 SCALE: NTS

DWG #: **AWD027**
 SHEET: **8 OF 10**

Andersen
 WINDOWS - DOORS

100 FORTY-SEVEN NORTH
 BAYPORT, MN 55003-1095
 PH: (651) 264-9150 FX: (651) 264-5485

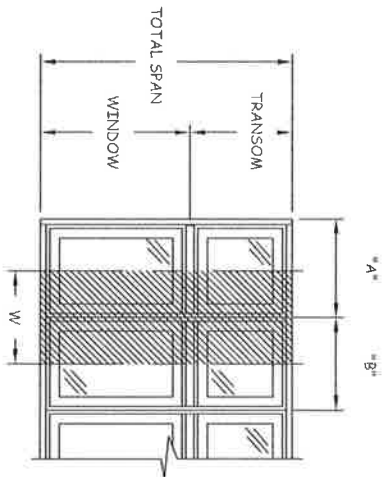
TITLE:
 PERMA SHIELD CASEMENT (NI)
 ONE-WAY MULL TABLE (2) &
 ELEVATIONS

PREPARED BY:
 BUILDING DROPS, INC.
 398 E DANIA BEACH BLVD. #338
 DANIA BEACH, FL 33004
 PH: (954) 399-8478 FX: (954) 744-4738

Maximum design pressure capacity chart
Two-Way Narrow Wood Mullion
 Design pressures are limited by mullion capacity only.

Span (in.)	Tributary Width (in)																			
	18.0	25.0	30.0	37.0	42.0	49.0	54.0	61.0	66.0	73.0	78.0	85.0	90.0	97.0	102.0	109.0				
30.0	80.0	80.0	80.0	80.0	80.0	80.0	80.0	80.0	80.0	80.0	80.0	80.0	80.0	80.0	80.0	80.0				
36.0	80.0	80.0	80.0	80.0	80.0	80.0	80.0	80.0	80.0	80.0	80.0	80.0	80.0	80.0	80.0	80.0				
42.0	80.0	80.0	80.0	80.0	80.0	80.0	80.0	80.0	80.0	80.0	80.0	80.0	80.0	80.0	80.0	80.0				
48.0	80.0	80.0	80.0	80.0	80.0	80.0	80.0	80.0	80.0	80.0	80.0	80.0	80.0	80.0	80.0	80.0				
54.0	80.0	80.0	80.0	80.0	80.0	80.0	80.0	80.0	80.0	80.0	80.0	80.0	80.0	80.0	80.0	80.0				
60.0	80.0	80.0	80.0	80.0	80.0	80.0	80.0	80.0	80.0	80.0	80.0	80.0	80.0	80.0	80.0	80.0				
66.0	80.0	80.0	80.0	80.0	80.0	80.0	80.0	80.0	80.0	80.0	80.0	80.0	80.0	80.0	80.0	80.0				
72.0	80.0	80.0	80.0	80.0	80.0	80.0	80.0	80.0	80.0	80.0	80.0	80.0	80.0	80.0	80.0	80.0				
78.0	80.0	80.0	80.0	80.0	80.0	80.0	80.0	80.0	80.0	80.0	80.0	80.0	80.0	80.0	80.0	80.0				
84.0	80.0	80.0	80.0	80.0	80.0	80.0	80.0	80.0	80.0	80.0	80.0	80.0	80.0	80.0	80.0	80.0				
90.0	80.0	80.0	80.0	80.0	80.0	80.0	80.0	80.0	80.0	80.0	80.0	80.0	80.0	80.0	80.0	80.0				
96.0	80.0	80.0	80.0	80.0	80.0	80.0	80.0	80.0	80.0	80.0	80.0	80.0	80.0	80.0	80.0	80.0				
102.0	80.0	80.0	80.0	80.0	80.0	80.0	80.0	80.0	80.0	80.0	80.0	80.0	80.0	80.0	80.0	80.0				
108.0	80.0	80.0	80.0	80.0	80.0	80.0	80.0	80.0	80.0	80.0	80.0	80.0	80.0	80.0	80.0	80.0				
114.0	80.0	80.0	80.0	80.0	80.0	80.0	80.0	80.0	80.0	80.0	80.0	80.0	80.0	80.0	80.0	80.0				
120.0	80.0	80.0	80.0	80.0	80.0	80.0	80.0	80.0	80.0	80.0	80.0	80.0	80.0	80.0	80.0	80.0				

- NOTE:
- MULLION CHART APPLIES TO NARROW WOOD MULLION ASSEMBLIES, SEE DETAIL 1/5.
 - WHEN USED TO MULL WINDOWS IN CONFIGURATIONS SHOWN IN ELEVATION C.
 - DESIGN PRESSURE VALUES ARE POSITIVE AND NEGATIVE IN PSF.
 - MAXIMUM DEFLECTION HAS BEEN LIMITED TO L/175.
 - DESIGN PRESSURE OF ASSEMBLY IS LIMITED TO THE LESSER DESIGN PRESSURE OF THE NARROW WOOD MULLION OR THE INDIVIDUAL WINDOW UNIT OF INSTALLATION.
 - MULLION CHART ABOVE APPLIES TO MULLED ASSEMBLIES CONSISTING OF 400 SERIES CASEMENT WINDOWS, AWNING WINDOWS, AND/OR DIRECT SET VINYL CLAD WINDOWS. ADJACENT WINDOWS SHALL BE FASTENED TO THE ROUGH OPENING IN ACCORDANCE WITH DETAILS K/10 OR L/10, SHEET 10.



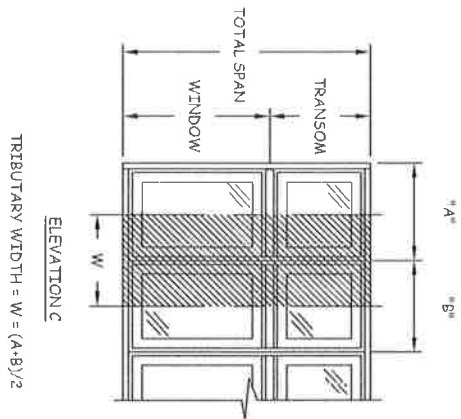
TRIBUTARY WIDTH = W = (A+B)/2

		100 FOLIOTT AVENUE NORTH BAYVILLAGE, FL 33503-1006 PH: (651) 264-5150 FX: (651) 264-5185	
REVISIONS		TITLE: PERMA SHIELD CASEMENT (NI) TWO-WAY MULL TABLE (I) & ELEVATION C	
NO.	DESCRIPTION	BY	DATE
A	2010 FBC CODE CHANGE	M5	02.22.12
DWG #: AWD027		PREPARED BY: BUILDING DROPS, INC. 398 E DANIA BEACH BLVD. #338 DANIA BEACH, FL 33004	
DATE: 12.01.09	DWN BY: KSD	PH: (954) 399-8478 FX: (954) 744-4738	
CHK BY: HFN	SCALE: NTS		
SHEET: 9 OF 10			

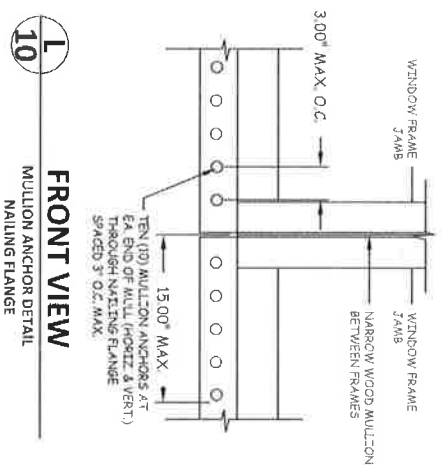
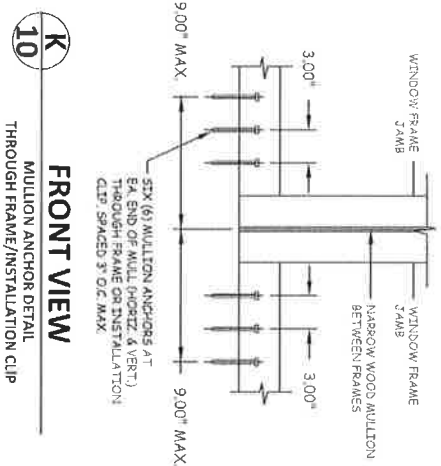


Maximum Design Pressure Capacity Chart
Two-Way Narrow Wood Mullion
 Design pressures are limited by mullion capacity only.

Span (in.)	Tributary Width (in.)															
	18.0	25.0	30.0	37.0	42.0	49.0	54.0	61.0	66.0	73.0	78.0	85.0	90.0	97.0	102.0	109.0
30.0	80.0	80.0	80.0	80.0	80.0	80.0	80.0	80.0	80.0	80.0	80.0	80.0	80.0	80.0	80.0	80.0
36.0	80.0	80.0	80.0	80.0	80.0	70.9	64.3	56.9	52.6	47.6	44.5	40.9	38.6	35.8	34.1	31.9
42.0	80.0	80.0	80.0	69.0	60.8	52.1	47.3	41.8	38.7	35.0	32.7	30.0	28.4	26.3	25.0	23.4
48.0	80.0	78.2	65.1	52.8	46.5	39.9	36.2	32.0	29.6	26.8	25.0	23.0	21.7	20.1	19.2	17.9
54.0	80.0	61.8	51.5	41.7	36.8	31.5	28.6	25.3	23.4	21.1	19.8	18.2	17.2	15.9	15.1	14.2
60.0	69.5	50.0	41.7	33.8	29.8	25.5	23.2	20.5	18.9	17.1	16.0	14.7	13.9	12.9	12.3	11.5
66.0	57.4	41.3	34.4	27.9	24.6	21.1	19.1	16.9	15.7	14.2	13.2	12.2	11.5	10.7	10.1	9.5
72.0	48.2	34.7	28.9	23.5	20.7	17.7	16.1	14.2	13.2	11.9	11.1	10.2	9.6	9.0	8.5	8.0
78.0	41.1	29.6	24.7	20.0	17.6	15.1	13.7	12.1	11.2	10.1	9.5	8.7	8.2	7.6	7.3	6.8
84.0	33.3	24.4	20.6	17.0	15.2	13.0	11.8	10.5	9.7	8.7	8.2	7.5	7.1	6.6	6.3	5.9
90.0	27.0	19.7	16.6	13.7	12.2	10.7	9.8	8.7	8.1	7.4	7.0	6.4	6.1	5.7	5.4	5.1
96.0	22.2	16.2	13.7	11.2	10.0	8.7	8.0	7.2	6.7	6.1	5.7	5.3	5.0	4.7	4.4	4.2
102.0	18.4	13.5	11.3	9.3	8.3	7.2	6.6	5.9	5.5	5.0	4.7	4.4	4.2	3.9	3.7	3.5
108.0	15.5	11.3	9.5	7.8	7.0	6.1	5.5	5.0	4.6	4.2	4.0	3.7	3.5	3.2	3.1	2.9
114.0	13.2	9.6	8.1	6.6	5.9	5.1	4.7	4.2	3.9	3.6	3.4	3.1	3.0	2.8	2.6	2.5
120.0	11.3	8.2	6.9	5.7	5.0	4.4	4.0	3.6	3.3	3.1	2.9	2.7	2.5	2.4	2.2	2.1



- NOTE:**
- MULLION CHART APPLIES TO NARROW WOOD MULLION ASSEMBLIES, SEE DETAIL J/5, WHEN USED TO MULL WINDOWS IN CONFIGURATIONS SHOWN IN ELEVATION C.
 - DESIGN PRESSURE VALUES ARE POSITIVE AND NEGATIVE IN PSF.
 - MAXIMUM DEFLECTION HAS BEEN LIMITED TO L/175.
 - DESIGN PRESSURE OF ASSEMBLY IS LIMITED TO THE LESSER DESIGN PRESSURE OF THE NARROW WOOD MULLION OR THE INDIVIDUAL WINDOW UNIT OF INSTALLATION.
 - MULLION CHART ABOVE APPLIES TO MULLED ASSEMBLIES CONSISTING OF 400 SERIES DIRECT SET FLEXFRAME WINDOWS, CASEMENT WINDOWS, AND/OR AWNING WINDOWS.
 - ADJACENT WINDOWS SHALL BE FASTENED TO THE ROUGH OPENING IN ACCORDANCE WITH DETAILS K/10 OR L/10, SHEET 10.



	TITLE: PERMA SHIELD CASEMENT (NI) TWO-WAY MULL TABLE (2), ELEV. C & MULL ANCHOR DETAILS	
	PREPARED BY: BUILDING DROPS, INC. 398 E. DANIA BEACH BLVD. #338 DANIA BEACH, FL 33004 PH: (954) 399-8478 FX: (954) 744-4738	
REVISIONS		DATE: 12.01.09 DWN BY: KSD CHK BY: HFN SCALE: NTS
NO. A	DESCRIPTION: 2010 FBC CODE CHANGE	DATE: 02.22.12 BY: MS

DWG #:
AWD027
 SHEET: 10 OF 10





**STATE OF FLORIDA
DEPARTMENT OF BUSINESS AND PROFESSIONAL REGULATION**

**CONSTRUCTION INDUSTRY LICENSING BOARD
2601 BLAIR STONE ROAD
TALLAHASSEE FL 32399-0783**

(850) 487-1395

**HEWITT, DAVID CHARLES
DCH CUSTOM BUILDER INC
8503 WYTHMERE LANE
ORLANDO FL 32835**

Congratulations! With this license you become one of the nearly one million Floridians licensed by the Department of Business and Professional Regulation. Our professionals and businesses range from architects to yacht brokers, from boxers to barbecue restaurants, and they keep Florida's economy strong.

Every day we work to improve the way we do business in order to serve you better. For information about our services, please log onto www.myfloridalicense.com. There you can find more information about our divisions and the regulations that impact you, subscribe to department newsletters and learn more about the Department's initiatives.

Our mission at the Department is: License Efficiently, Regulate Fairly. We constantly strive to serve you better so that you can serve your customers. Thank you for doing business in Florida, and congratulations on your new license!



DETACH HERE

RICK SCOTT, GOVERNOR

KEN LAWSON, SECRETARY

**STATE OF FLORIDA
DEPARTMENT OF BUSINESS AND PROFESSIONAL REGULATION
CONSTRUCTION INDUSTRY LICENSING BOARD**

LICENSE NUMBER	
CBC1256928	

The BUILDING CONTRACTOR
Named below IS CERTIFIED
Under the provisions of Chapter 489 FS.
Expiration date: AUG 31, 2018

**HEWITT, DAVID CHARLES
DCH CUSTOM BUILDER INC
8503 WYTHMERE LANE
ORLANDO FL 32835**



ISSUED: 09/01/2016

DISPLAY AS REQUIRED BY LAW

SEQ # L1609010002156



CERTIFICATE OF LIABILITY INSURANCE

DATE (MM/DD/YYYY)
8/21/2017

THIS CERTIFICATE IS ISSUED AS A MATTER OF INFORMATION ONLY AND CONFERS NO RIGHTS UPON THE CERTIFICATE HOLDER. THIS CERTIFICATE DOES NOT AFFIRMATIVELY OR NEGATIVELY AMEND, EXTEND OR ALTER THE COVERAGE AFFORDED BY THE POLICIES BELOW. THIS CERTIFICATE OF INSURANCE DOES NOT CONSTITUTE A CONTRACT BETWEEN THE ISSUING INSURER(S), AUTHORIZED REPRESENTATIVE OR PRODUCER, AND THE CERTIFICATE HOLDER.

IMPORTANT: If the certificate holder is an ADDITIONAL INSURED, the policy(ies) must be endorsed. If SUBROGATION IS WAIVED, subject to the terms and conditions of the policy, certain policies may require an endorsement. A statement on this certificate does not confer rights to the certificate holder in lieu of such endorsement(s).

PRODUCER
Vanguard Insurance Associates
719 S Orange Blossom Trl
Apopka FL 32703

CONTACT NAME:
PHONE (A/C, No, Ext): 407-410-2400 FAX (A/C, No): 407-410-2400
E-MAIL ADDRESS:

INSURED
DCH Custom Builder Inc
8503 Wythmere Ln
ORLANDO, FL 32837

INSURER(S) AFFORDING COVERAGE
INSURER A: WESTERN WORLD INS GROUP
INSURER B:
INSURER C:
INSURER D:
INSURER E:
INSURER F:

COVERAGES

CERTIFICATE NUMBER:

REVISION NUMBER:

THIS IS TO CERTIFY THAT THE POLICIES OF INSURANCE LISTED BELOW HAVE BEEN ISSUED TO THE INSURED NAMED ABOVE FOR THE POLICY PERIOD INDICATED. NOTWITHSTANDING ANY REQUIREMENT, TERM OR CONDITION OF ANY CONTRACT OR OTHER DOCUMENT WITH RESPECT TO WHICH THIS CERTIFICATE MAY BE ISSUED OR MAY PERTAIN, THE INSURANCE AFFORDED BY THE POLICIES DESCRIBED HEREIN IS SUBJECT TO ALL THE TERMS, EXCLUSIONS AND CONDITIONS OF SUCH POLICIES. LIMITS SHOWN MAY HAVE BEEN REDUCED BY PAID CLAIMS.

INSR LTR	TYPE OF INSURANCE	ADDC SUBR INSR WVD	POLICY NUMBER	POLICY EFF (MM/DD/YYYY)	POLICY EXP (MM/DD/YYYY)	LIMITS
	GENERAL LIABILITY					EACH OCCURRENCE BODILY INJURY PROPERTY DAMAGE MED EXP - Per person PERSONAL & ADV INJURY GENERAL AGGREGATE PRODUCTS - COMPRESS
A	<input checked="" type="checkbox"/> COMMERCIAL GENERAL LIABILITY <input type="checkbox"/> CLAIMS-MADE <input type="checkbox"/> OCCUR		NPP8377202	07/27/17	07/27/18	
	GENL AGGREGATE LIMIT APPLIES PER <input checked="" type="checkbox"/> POLICY <input type="checkbox"/> PRO-PRD <input type="checkbox"/> LOC					
	AUTOMOBILE LIABILITY					COMBINED SINGLE LIMT (Per accident) BODILY INJURY - Per person BODILY INJURY - Per all per PROPERTY DAMAGE (Per acc 2500)
	<input type="checkbox"/> ANY AUTO <input type="checkbox"/> ALL OWNED AUTOS <input type="checkbox"/> HIRED AUTOS	<input type="checkbox"/> SCHEDULED AUTOS <input type="checkbox"/> NON-OWNED AUTOS				
	UMBRELLA LIAB <input type="checkbox"/> OCCUR EXCESS LIAB <input type="checkbox"/> CLAIMS-MADE					EACH OCCURRENCE AGGREGATE
	WORKERS COMPENSATION AND EMPLOYERS' LIABILITY ANY PROPRIETOR/PARTNER/EXECUTIVE OR CLERK/EMBER EXCLUDED? (Mandatory in NH) If yes, describe under DESCRIPTION OF OPERATIONS below	<input type="checkbox"/> Y/N <input checked="" type="checkbox"/> N/A				EACH ACCIDENT EACH SEVERE INJURY EACH SEVERE ILLNESS

DESCRIPTION OF OPERATIONS / LOCATIONS / VEHICLES (Attach ACORD 101, Additional Remarks Schedule, if more space is required)

CERTIFICATE HOLDER

UNIVERSAL ENGINEERING GROUP INC
2001 PITTSWAY DR
NASHVILLE TN 37207

CANCELLATION

SHOULD ANY OF THE ABOVE DESCRIBED POLICIES BE CANCELLED BEFORE THE EXPIRATION DATE THEREOF, NOTICE WILL BE DELIVERED IN ACCORDANCE WITH THE POLICY PROVISIONS.

AUTHORIZED REPRESENTATIVE

© 1988-2010 ACORD CORPORATION. All rights reserved.



04-03-2017

JEFF ATWATER
CHIEF FINANCIAL OFFICER

STATE OF FLORIDA
DEPARTMENT OF FINANCIAL SERVICES
DIVISION OF WORKERS' COMPENSATION

* * CERTIFICATE OF ELECTION TO BE EXEMPT FROM FLORIDA WORKERS' COMPENSATION LAW * *
CONSTRUCTION INDUSTRY EXEMPTION

This certifies that the individual listed below has elected to be exempt from Florida Workers' Compensation law.

EFFECTIVE DATE: 06/06/2017 EXPIRATION DATE: 06/06/2019

PERSON: HEWITT DAVID C

FEIN: 208046217

BUSINESS NAME AND ADDRESS:

DCH CUSTOM BUILDER INC
8503 WYTHMERE LANE
ORLANDO FL 32835

SCOPES OF BUSINESS OR TRADE:


1- Licensed Building Contractor

IMPORTANT: Pursuant to Chapter 440.06(14), F.S., an officer of a corporation who elects exemption from this chapter by filing a certificate of election under this section may not recover benefits or compensation under this chapter. Pursuant to Chapter 440.05(12), F.S., Certificates of election to be exempt... apply only within the scope of the business or trade listed on the notice of election to be exempt. Pursuant to Chapter 440.05(13), F.S., Notices of election to be exempt and certificates of election to be exempt shall be subject to revocation if, at any time after the filing of the notice or the issuance of the certificate, the person named on the notice or certificate no longer meets the requirements of this section for issuance of a certificate. The department shall revoke a certificate at any time for failure of the person named on the certificate to meet the requirements of this section.

DWC-252 CERTIFICATE OF ELECTION TO BE EXEMPT REVISED 01-11

QUESTIONS? (850) 413-1609

PLEASE CUT OUT THE CARD BELOW AND RETAIN FOR FUTURE REFERENCE

<p>STATE OF FLORIDA DEPARTMENT OF FINANCIAL SERVICES DIVISION OF WORKERS' COMPENSATION CONSTRUCTION INDUSTRY CERTIFICATE OF ELECTION TO BE EXEMPT FROM FLORIDA WORKERS' COMPENSATION LAW</p>  <p>EFFECTIVE: 06/06/2017 EXPIRATION DATE: 06/06/2019 PERSON: DAVID C HEWITT FEIN: 208046217 BUSINESS NAME AND ADDRESS: DCH CUSTOM BUILDER INC 8503 WYTHMERE LANE ORLANDO, FL 32835 SCOPE OF BUSINESS OR TRADE: 1- Licensed Building Contractor</p>	<p style="text-align: center;">IMPORTANT</p> <p>F Pursuant to Chapter 440.05(14), F.S., an officer of a corporation who elects exemption from this chapter by filing a certificate of election under this section may not recover benefits or compensation under this chapter.</p> <p>H Pursuant to Chapter 440.05(12), F.S., Certificates of election to be exempt... apply only within the scope of the business or trade listed on the notice of election to be exempt.</p> <p>E Pursuant to Chapter 440.05(13), F.S., Notices of election to be exempt and certificates of election to be exempt shall be subject to revocation if, at any time after the filing of the notice or the issuance of the certificate, the person named on the notice or certificate no longer meets the requirements of this section for issuance of a certificate. The department shall revoke a certificate at any time for failure of the person named on the certificate to meet the requirements of this section.</p> <p style="text-align: right;">QUESTIONS? (850) 413-1609</p>
---	---

CUT HERE

* Carry bottom portion on the job, keep upper portion for your records.

Scott Randolph, Tax Collector

Local Business Tax Receipt

Orange County, Florida

This local business tax receipt is in addition to and not in lieu of any other tax required by law or municipal ordinance. Businesses are subject to regulation of zoning, health and other lawful authorities. This receipt is valid from October 1 through September 30 of receipt year. Delinquent penalty is added October 1.

		2017		EXPIRES	9/30/2018	1801-0602582
1801	CERT BUILDING CONTR	\$30.00	1	EMPLOYEE	5000 BUSINESS OFFICE	\$30.00 1 EMPLOYEE

TOTAL TAX \$60.00
 PREVIOUSLY PAID \$60.00
 TOTAL DUE \$0.00

HEWITT DAVID

DCH CUSTOM BUILDER INC
 HEWITT DAVID
 8503 WYTHMERE LN
 ORLANDO FL 32835

8503 WYTHMERE LN (MOBILE)
 U - ORLANDO, 32835

PAID: \$60.00 0099-00783495 7/18/2017

Scott Randolph, Tax Collector

Local Business Tax Receipt

Orange County, Florida

This local business tax receipt is in addition to and not in lieu of any other tax required by law or municipal ordinance. Businesses are subject to regulation of zoning, health and other lawful authorities. This receipt is valid from October 1 through September 30 of receipt year. Delinquent penalty is added October 1.

		2017		EXPIRES	9/30/2018	1801-0602582
1801	CERT BUILDING CONTR	\$30.00	1	EMPLOYEE	5000 BUSINESS OFFICE	\$30.00 1 EMPLOYEE

TOTAL TAX \$60.00
 PREVIOUSLY PAID \$60.00
 TOTAL DUE \$0.00



HEWITT DAVID

DCH CUSTOM BUILDER INC
 HEWITT DAVID
 8503 WYTHMERE LN
 ORLANDO FL 32835

8503 WYTHMERE LN (MOBILE)
 U - ORLANDO, 32835

PAID: \$60.00 0099-00783495 7/18/2017

This receipt is official when validated by the Tax Collector.