



BUILDING JOB SITE CARD

City of Belle Isle

BUILDING PERMIT 2017-08-115

PERMIT MUST BE POSTED ON SITE

Permit Number: 2017-08-115
 Site Address: 2820 Montmart Drive, 32812-540
 Subdivision:
 Description of Work: 7 SIZE FOR SIZE WINDOWS

Issue Date: 08.21.2017
 Parcel Number: 18-23-30-4391-04-
 Class: Residential

Issued To: Nw South Window Solutions LLC

Business Phone: 407-261-2277
 Contractor License CRC1330822

Name: Ochstein, Samuel

Payment Date & Method: 8-22-17 MC 0256 \$65.50

Inspection requests are to be emailed to BI scheduling@UniversalEngineering.com; a confirmation email will be sent back to you upon scheduling. **Next-Day Inspection requests must be made by 4pm.** Please include the following in your request: Permit #, project address, type of inspection, date of the requested inspection, a contact name & a contact phone number. AM or PM may be requested but cannot be guaranteed.

"WARNING TO OWNER: YOUR FAILURE TO RECORD A NOTICE OF COMMENCEMENT MAY RESULT IN YOUR PAYING TWICE FOR IMPROVEMENTS TO YOUR PROPERTY. IF YOU INTEND TO OBTAIN FINANCING, CONSULT WITH YOUR LENDER OR AN ATTORNEY BEFORE RECORDING YOUR NOTICE OF COMMENCEMENT."

BUILDING	INSPECTOR	DATE	COMMENTS
Demo Final			
Footing			
Stem Wall			
Slab			
Lintel/Tie Beam			
Down Pour			
Tilt Panel			
Window In-progress			
Sheathing (wall)			
Sheathing (roof)			
Framing			
Fire Rated Assembly			
Above-Ceiling			
Insulation			
Lathe			
Pool Steel & Ground			
Pool Safety			
Final			

BUILDING	INSPECTOR	DATE	COMMENTS
Demo Final			
Footing			
Stem Wall			
Slab			
Lintel/Tie Beam			
Down Pour			
Tilt Panel			
Window In-progress			
Sheathing (wall)			
Sheathing (roof)			
Framing			
Fire Rated Assembly			
Above-Ceiling			
Insulation			
Lathe			
Pool Steel & Ground			
Pool Safety			
Final			

PERMIT #

PERMIT 2017-08-115

GAS INSPECTOR DATE COMMENTS

Rough Gas			
Final Gas			

ELECTRICAL INSPECTOR DATE COMMENTS

Temp Pole			
TUG			
Underground			
Rough			
Footer Steel Bonding			
Pool Light			
PrePower			
Meter ReSet			
Final			

MECHANICAL INSPECTOR DATE COMMENTS

Above Ceiling			
Rough			
Hood Vent			
Final			

PLUMBING INSPECTOR DATE COMMENTS

Sewer			
Underground			
Rough			
Above Ceiling			
Irrigation			
Final			

ROOF INSPECTOR DATE COMMENTS

In-progress			
Final			

Inspection requests are to be emailed to BD scheduling@UniversalEngineering.com; a confirmation email will be sent back to you upon scheduling. **Next-Day Inspection requests must be made by 4pm.** Please include the following in your request: Permit #, project address, type of inspection, date of the requested inspection, a contact name & a contact phone number. AM or PM may be requested but cannot be guaranteed.



City of Belle Isle

Universal Engineering Sciences 3532 Maggie Blvd., Orlando, FL 32811
Tel 407-581-8161 * Fax 407-581-0313 * www.universalengineering.com



Building Permit (Land Use) Application

DATE: 5-15-17

PERMIT # 2017-08-115

PROJECT ADDRESS 2820 Montmart Drive Orlando, FL, Belle Isle, FL 32809 32812
PROPERTY OWNER NORMA SYNDOR PHONE 407-859-7727 VALUE OF WORK (labor & material) \$ 4900.00

PLEASE LIST THE NATURE OF YOUR PROPOSED IMPROVEMENTS

replacing 7 windows; size for size

Please provide information, if applicable.

- Survey specific foundation plan required to show compliance with zoning setbacks
- **BOAT DOCK:** DEP Clearance Required with Application (Call 407-897-4100); please provide a copy of their report
- **SEPTIC SYSTEM (RESIDENTIAL):** - Provide verification of OC Health Dept approval for on-site septic tank system, per FAC Chap. 64E-6
- Homeowners will be required to have a contractor on record for homes that are rented and/or not homestead

Please Complete for the City of Belle Isle Zoning Review: Parcel Id Number: 18-23-30-4391-04-540

To obtain this information, please visit <http://www.ocpafll.org/Searches/ParcelSearch.aspx>

SPECIAL CONDITIONS: STRUCTURES MAY NOT ENCROACH INTO ANY EASEMENT OR REQUIRED SETBACK. Note, this Zoning Approval MAY or MAY NOT be in conflict with your Deed Restrictions. For New Single Family Residence, a Traffic Impact Fee and School Impact will be assessed.

Attached Survey SETS and Construction Plans SETS

PLANNING & ZONING APPROVAL: _____
DATE _____

PLEASE COMPLETE for Building Review

CONSTRUCTION TYPE alteration

OCCUPANCY GROUP Comm Res: Single Fam Multi Fam

#BLDG. _____ #UNITS _____ #STORIES _____ TOTAL SQ.FT. _____

MAX. FLOOR LOAD _____ MAX. OCCUPANCY _____

MIN. FLOOR ELEV _____ LOW FLOOR ELEV _____

WATER SERVICE _____ WELL _____ SEPTIC _____

BUILDING REVIEWER _____ DATE _____

VERIFIED CONTRACTOR'S LICENSE & INSURANCE ARE ON FILE _____ DATE _____

Per FSS 105.3.3:

An enforcing authority may not issue a building permit for any building construction, erection, alteration, modification, repair or addition unless the permit either includes on its face or there is attached to the permit the following statement: "NOTICE: In addition to the requirements of this permit, there may be additional restrictions applicable to this property that may be found in the public records of this county, and there may be additional permits required from other governmental entities such as water management districts, state agencies, or federal agencies."

Republic Services is by legal contract the sole authorized provider of garbage, recycling, yard waste, and commercial garbage and construction debris collection and disposal services with the city limits of the City. Contractors, homeowners and commercial businesses may contact Republic Services at 407-293-8000 to setup accounts for Commercial, Construction Roll Off, or other services needed. Rates are fixed by contract and are available at City Hall or from Republic Services. The City enforces the contract through its code enforcement office. Failure to comply will result in a stop work order.

SEPARATE PERMITS ARE REQUIRED FOR ROOFING, ELECTRICAL, PLUMBING, GAS, MECHANICAL, SIGNS, POOLS, ENCLOSURES, ETC.

paid by MC 0256
8-22-17

1511K
4x4

25
16
41.2
20.50
61.50

Wind Exposure Category: B C D

SPRINKLERS REQ'D Y N

If Required - SUBMIT COPY OF PLANS FOR FIRE

REVIEW Date: Sent _____ RCD _____

REVIEW	Y	N	RCD
ZONING	Y	N	\$
CERT OF OCC	Y	N	\$
TRAFFIC	Y	N	\$
SCHOOL	Y	N	\$
FIRE	Y	N	\$
SWIMMING POOL	Y	N	\$
SCREEN ENCLOSURE	Y	N	\$
ROOFING	Y	N	\$
BOAT DOCK	Y	N	\$
BUILDING	Y	N	\$
WINDOW(S)	Y	N	\$ <u>61.50</u>
DOOR(S)	Y	N	\$
FENCE	Y	N	\$
SHED	Y	N	\$
DRIVEWAY	Y	N	\$
OTHER	Y	N	\$

2.5 % FL SURCHARGE

TOTAL

By Owner Form	Y	NA
Notice of Commencement	Y	NA
Power of Attorney	Y	NA
Contractor Packet included?	Y	N

OTHER PERMITS REQUIRED:

ELECTRICAL	Y	NA
PREPOWER	Y	NA
MECHANICAL	Y	NA
PLUMBING	Y	NA
ROOFING	Y	NA
GAS	Y	NA

4.00 (min)
65.50



City of Belle Isle
 Universal Engineering Sciences 3532 Maggie Blvd., Orlando, FL 32811
 Tel 407-581-8161 * Fax 407-581-0313 * www.universalengineering.com

Building Permit (Land Use) Application
 To be completed as required by State Statute Section 713 and other applicable sections.

PERMIT # 2017-08-115

Owner's Name NORMA SYNDOR

Owner's Address 2820 Montmart Drive Orlando, FL 32812

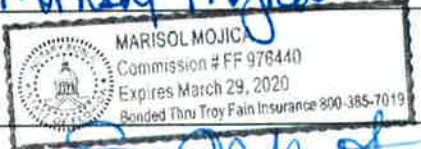
Contractor Name <u>SAMUEL OCHSTEIN</u>	Company Name <u>NEWSOUTH WINDOW</u>
License # <u>CRC 1330822</u>	Company Address <u>820 E ALTAMONTE DR</u>
Contact Phone/Cell <u>407-261-2277</u>	City, State, ZIP <u>ALTAMONTE SPRINGS, FL 32701</u>
Contact Email <u>MARISOLMOJICA@NEWSOUTHWINDOW.COM</u>	Contact Fax <u>407-261-2278</u>

WARNING TO OWNER: Your failure to record a Notice of Commencement may result in your paying twice for improvements to your property. A notice of commencement must be recorded if job is \$2500(+) or if A/C Replacement \$7500(+) and posted on the job site before the first inspection. If you intend to obtain financing, consult with your lender or an attorney before recording your Notice of Commencement.

I hereby make Application for Permit as outlined above, and if same is granted I agree to conform to all Division of Building Safety Regulations (www.floridabuilding.org) and City Ordinances (www.municode.com) regulating same and in accordance with plans submitted. The issuance of this permit does not grant permission to violate any applicable City and/or State of Florida codes and/or ordinances. Application is hereby made to obtain a permit to do the work and installations as indicated. I certify that no work or installation has commenced prior to the issuance of a permit and that all work will be performed to meet the standards of all laws regulating construction in this jurisdiction. I understand that a separate permit must be secured for all other construction including ROOFING, ELECTRICAL, MECHANICAL, PLUMBING, GAS, SIGNS, POOLS, SCREEN ENCLOSURES, ETC.

OWNER'S AFFIDAVIT: I certify that all the foregoing information is accurate and that all work will be done in compliance with all applicable laws regulating construction and zoning.

Owner Signature [Signature]
 The foregoing instrument was acknowledged before me this 8/1/17
 by Norma Sydnor who is personally known to me
 and who produced driver license
 as identification and who did not take an oath.
 Notary as to Owner
 State of Florida
 County of Orange



Contractor Signature [Signature]
 COMPANY NAME New South Window
 The foregoing instrument was acknowledged before me this 8/1/17
 by Samuel ochstein who is personally known to me
 and who produced _____
 as identification and who did not take an oath.
 Notary as to Owner
 State of Florida
 County of Orange



Impervious Surface Ratio Worksheet
 Development Zoned A-1, A-2, R-1-AAA, R-1-AA, R-1-A, R-1 per City Code, Section 50-74: Impervious Surface Ratio

- Total Lot Area (sqft) X 0.35 = Allowable Impervious Area (BASE).
 Total Lot Area _____ X 0.35 = _____
 Allowable Impervious Area (BASE) _____
- Calculate the "proposed" impervious area on the lot. This includes the sum of all areas that do not allow direct percolation of rainwater. Examples include house, pool, deck, driveway, accessory building, etc.
 - House _____
 - Driveway _____
 - Walkway _____
 - Accessory Buildings _____
 - Pool & Spa _____
 - Deck & Patio _____
 - Other _____
 Actual Impervious Area (AIA) _____
- If AIA is less than BASE, subtract AIA from BASE to determine the amount of impervious area that may be added without providing onsite retention.
- If AIA is greater than BASE, then onsite retention must be provided.

Assuming 7.5 inches of rainfall based on a 24hr 10 year Rain Event (TP40), the formula is: (7.5 inches rainfall/12 inches p/foot) X (result from line 4) = cubic feet of storage volume needed

Permit Number: _____
 Folio/Parcel Identification Number: 18-23-30-4391-04-540
 Prepared by BRIDGET LAMBERTON
 820 E ALTAMONTE DRIVE
 ALTMONTE SPRINGS, FL 32701
 Return to: MARISOL MOJICA
 820 E ALTAMONTE DRIVE
 ALTAMONTE SPRINGS, FL 32701



NOTICE OF COMMENCEMENT

State of Florida, County of Orange
 The undersigned hereby gives notice that improvement will be made to certain real property, and in accordance with Chapter 713, Florida Statutes, the following information is provided in this Notice of Commencement.

1. **Description of property** (legal description of the property, and street address if available)
~~LAKE COLAKE CONWAY ESTATES SECTION 9 2/91 LOT 454~~ ~~NEWAY ESTATES SECTION 9 2/91 LOT 454~~
2. **General description of improvement**
 Replacing 7 windows side for side
3. **Owner information or Lessee information if the Lessee contracted for the improvement**
 Name NORMA SYDNOR Sudnor
 Address 2820 MONTMART DRIVE ORLANDO, FL 32812
 Interest in Property Owner
 Name and address of fee simple titleholder (if different from Owner listed above)
 Name _____
 Address _____
4. **Contractor**
 Name NEWSOUTH WINDOW CRC 1330822 Telephone Number 407-261-2277
 Address 820 E. ALTAMONTE DRIVE ALTAMONTE SPRINGS, FL 32701
5. **Surety** (if applicable, a copy of the payment bond is attached)
 Name _____ Telephone Number _____
 Address _____ Amount of Bond \$ _____
6. **Lender**
 Name _____ Telephone Number _____
 Address _____
7. **Persons within the State of Florida designated by Owner upon whom notices or other documents may be served as provided by §713.13(1)(a)7, Florida Statutes.**
 Name _____ Telephone Number _____
 Address _____
8. **In addition to himself or herself, Owner designates the following to receive a copy of the Lienor's Notice as provided in §713.13(1)(b), Florida Statutes.**
 Name _____ Telephone Number _____
 Address _____
9. **Expiration date of notice of commencement** (the expiration date may not be before the completion of construction and final payment to the contractor, but will be 1 year from the date of recording unless a different date is specified) _____

WARNING TO OWNER: ANY PAYMENTS MADE BY THE OWNER AFTER THE EXPIRATION OF THE NOTICE OF COMMENCEMENT ARE CONSIDERED IMPROPER PAYMENTS UNDER CHAPTER 713, PART 1, SECTION 713.13, FLORIDA STATUTES, AND CAN RESULT IN YOUR PAYING TWICE FOR IMPROVEMENTS TO YOUR PROPERTY. A NOTICE OF COMMENCEMENT MUST BE RECORDED AND POSTED ON THE JOB SITE BEFORE THE FIRST INSPECTION. IF YOU INTEND TO OBTAIN FINANCING, CONSULT WITH YOUR LENDER OR AN ATTORNEY BEFORE COMMENCING WORK OR RECORDING YOUR NOTICE OF COMMENCEMENT.

Under penalty of perjury, I declare that I have read the foregoing notice of commencement and that the facts stated in it are true to the best of my knowledge and belief.

Norma J. Sudnor
 Signature of Owner or Lessee, or Owner's or Lessee's Authorized Officer/Director/Partner/Manager Signatory's Title/Office

The foregoing instrument was acknowledged before me this 3 day of 7/17 by Norma Sudnor
 as owner for _____
 Type of authority, e.g., officer, trustee, attorney in fact Name of party on behalf of whom instrument was executed

Marisol Mojica
 Signature of Notary Public - State of Florida Print, type, or stamp commissioned name of Notary Public

Personally Known OR Produced ID
 Type of ID Produced driver license



STATE OF FLORIDA, County of ORANGE
 I hereby certify that this is a true copy of the document as reflected in the Official Records
 PHIL DIAMOND, COUNTY COMPTROLLER
 BY _____ D.C.
 DATED 7-10-17





820 E. Altamonte Springs Dr.
Altamonte Springs, FL 32701

Phone: (407) 261-2277
Fax: (407) 261-2278
Contact Email:
hollyholmberg@newsouthwindow.com

To Whom It May Concern:

I, Samuel Ochstein, hereby authorize the following named person (s) to sign, apply for and purchase permits and/or licenses for New South Window Solutions of Orlando.

This list is to replace all others previously issued, which are now to be considered null and void.

TYLER LEE
FRED BROWN
JUSTIN SHAW
TIM NAGLE

Job Address: 2820 Montmart Drive, Orlando, FL 32812

Sincerely,

A handwritten signature in blue ink that reads "S. Ochstein".

Samuel Ochstein
CRC1330822

State of Florida, County of Orange
Sworn to and subscribed before me, this 21TH day of JULY, 2017, by Samuel Eli Ochstein, who is personally known to me and did not take an oath.

A handwritten signature in blue ink that reads "Marisol Mojica".

MARISOL MOJICA
Notary Public
State of Florida
Expires 3/29/20





NO766

Window Specification and Detail

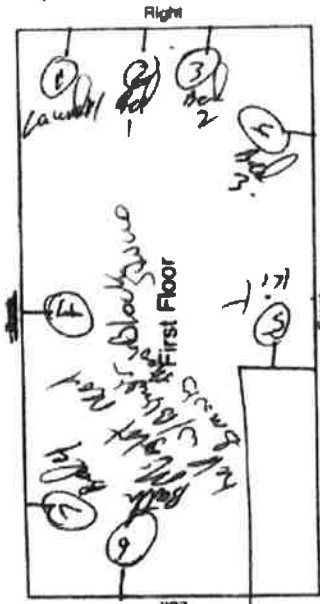
Pursuant to Contract with NewSouth Window Solutions

Customer: Norma Sydnor
 Address: 2820 Spott Court Dr.
 City: Belle Isle FL 32812

Phone: (H) 407-859-7727 (W) 407-32812
 Contract Date: 5-16-17 Factory Rep: Isiah Simpson

Customer Approval: Norma Sydnor

W#	Location	Style	Color EXT/INT	Sales Measure (W x H)	Opening Size (W x H)	Make Size (W x H)
1	Wash	SL	white	48 x 36	x	48 x 36
2	Bed 1	SL		72 x 30	x	72 x 36
3	Bed 2	SL		72 x 30	x	72 x 36
4	Bed 3	SSL		110 x 35	x	110 x 36
5	KIT	SL		72 x 42	x	71 1/4 x 42
6	Bath	DH		25 x 18	x	25 1/2 x 18
7	Bed 4	SSL		110 x 30	x	108 1/2 x 36



Frames	Screens	Insulated Glass Unit	Grid Options
Box	Full	Glass Type	Mullion
Fin/Flange	Half	Impact	Contour
		Tempered	Open Prairie
		Obscure	Prairie
			Colonial



City of Belle Isle

Universal Engineering Sciences 3532 Maggie Blvd., Orlando, FL 32811
 Tel 407-581-8161 * Fax 407-581-0313 * www.universalengineering.com

Product Approval Form

DATE: 8/2/17

PERMIT # _____

PROJECT ADDRESS 2820 Montmart Drive

Belle Isle, FL 32809 32812

As required by Florida Statute 553.842 and Florida Administrative Code 9B-72m, please provide the information and approval numbers of the building components listed below if they will be utilized on the building or structure. FL Approved products are listed online at www.floridabuilding.org or can be obtained from the local product supplier. The following information must be turned in with permit application and available onsite for inspections:

1. This Product Approval Cover Sheet
2. Internet screen from FloridaBuilding.org showing PA#, approval and code edition stamped
3. Manufacturer's installation details from FloridaBuilding.org and requirements for each product stamped

Product Type	Manufacturer	Model/Series	FL Product Approval #	Product Type	Manufacturer	Model/Series	FL Product Approval #
EXTERIOR DOORS				WALL PANELS			
Swinging				Sliding			
Sliding				Soffits			
Sectional/Rollup				Storefront			
Other				Glass Block			
				Other			
WINDOWS				ROOFING PRODUCTS			
Single/Dbf Hung				Asphalt Shingles			
Horizontal Slider	new south	sash lite	16842.18	Non Struct Metal			
<i>horizontal slider</i> Easement HS	new south	Duraguard	16842.14	Roofing Tiles			
Fixed				Single Ply Roof			
Mullion				Other			
Skylights							
Other	new south	sash lite	16842.20				
STRUCTURAL COMPONENTS				OTHER			
Wood Connectors							
Wood Anchors							
Truss Plates							
Insulation Forms							
Lintels							
Other							

It is the applicant's responsibility to verify that specific products have been installed in accordance with their limitations and with the minimum required design pressures for the structure. Specific compliance will be verified during field inspections.

Applicant Signature Melissa Hankins

Date 8/2/17

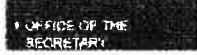


[BCIS Home](#) | [Log In](#) | [User Registration](#) | [Hot Topics](#) | [Submit Surcharge](#) | [Stats & Facts](#) | [Publications](#) | [FBC Staff](#) | [BCIS Site Map](#) | [Links](#) | [Search](#)



Product Approval
USER: Public User

[Product Approval Menu](#) > [Product or Application Search](#) > [Application List](#) > **Application Detail**



FL #	FL16842-R3														
Application Type	Revision														
Code Version	2014														
Application Status	Approved														
Comments	Archived														
Product Manufacturer	NewSouth Window Solutions														
Address/Phone/Email	4901 oak fair blvd tampa, FL 33610 (513) 284-0129 danochstein@newsouthwindow.com														
Authorized Signature	Vivian Wright rickw@rwbldgconsultants.com														
Technical Representative															
Address/Phone/Email															
Quality Assurance Representative															
Address/Phone/Email															
Category	Windows														
Subcategory	Horizontal Slider														
Compliance Method	Evaluation Report from a Florida Registered Architect or a Licensed Florida Professional Engineer <ul style="list-style-type: none"> ✓ Evaluation Report - Hardcopy Received 														
Florida Engineer or Architect Name who developed the Evaluation Report	Lyndon F. Schmidt, P.E.														
Florida License	PE-43409														
Quality Assurance Entity	National Accreditation and Management Institute														
Quality Assurance Contract Expiration Date	12/31/2017														
Validated By	Ryan J. King, P.E. <ul style="list-style-type: none"> ✓ Validation Checklist - Hardcopy Received 														
Certificate of Independence	FL16842_R3_COI_CERTIFICATE_OF_INDEPENDENCE cc.pdf														
Referenced Standard and Year (of Standard)	<table border="0"> <thead> <tr> <th>Standard</th> <th>Year</th> </tr> </thead> <tbody> <tr> <td>AAMA/WDMA/CSA101/I.S.2/A440</td> <td>2008</td> </tr> <tr> <td>AAMA/WDMA/CSA101/I.S.2/A440</td> <td>2005</td> </tr> <tr> <td>ASTM E1886</td> <td>2005</td> </tr> <tr> <td>ASTM E1996</td> <td>2006</td> </tr> <tr> <td>ASTM E1996</td> <td>2005</td> </tr> <tr> <td>TAS 201, 202, 203</td> <td>1994</td> </tr> </tbody> </table>	Standard	Year	AAMA/WDMA/CSA101/I.S.2/A440	2008	AAMA/WDMA/CSA101/I.S.2/A440	2005	ASTM E1886	2005	ASTM E1996	2006	ASTM E1996	2005	TAS 201, 202, 203	1994
Standard	Year														
AAMA/WDMA/CSA101/I.S.2/A440	2008														
AAMA/WDMA/CSA101/I.S.2/A440	2005														
ASTM E1886	2005														
ASTM E1996	2006														
ASTM E1996	2005														
TAS 201, 202, 203	1994														
Equivalence of Product Standards Certified By															
Sections from the Code															

Product Approval Method

Method 1 Option D

Date Submitted 12/20/2015
 Date Validated 01/14/2016
 Date Pending FBC Approval 01/18/2016
 Date Approved 04/12/2016
 Date Revised 04/11/2017

Summary of Products

Go to Page

Page 1 / 2

FL #	Model, Number or Name	Description
16842.1	a. 9500 Slider XO	Extruded Vinyl "Non-Impact" Horizontal Sliding Window utilizing a Nail Fin Installation (XO or OX configurations)
Limits of Use Approved for use in HVHZ: No Approved for use outside HVHZ: Yes Impact Resistant: No Design Pressure: N/A Other: See INST 16842.1 for Design Pressure Ratings, any additional use limitations, installation instructions and product particulars.		Installation Instructions FL16842_R3_II_Inst_16842.1.pdf Verified By: Lyndon F. Schmidt, P.E. 43409 Created by Independent Third Party: Yes Evaluation Reports FL16842_R3_AE_Eval_16842.1.pdf Created by Independent Third Party: Yes
16842.2	b. 9500 Slider XO	Extruded Vinyl "Non-Impact" Horizontal Sliding Window with Flange Installation (XO or OX configurations)
Limits of Use Approved for use in HVHZ: No Approved for use outside HVHZ: Yes Impact Resistant: No Design Pressure: N/A Other: See INST 16842.2 for Design Pressure Ratings, any additional use limitations, installation instructions and product particulars.		Installation Instructions FL16842_R3_II_INST_16842.2.pdf Verified By: Lyndon F. Schmidt, P.E. 43409 Created by Independent Third Party: Yes Evaluation Reports FL16842_R3_AE_Eval_16842.2.pdf Created by Independent Third Party: Yes
16842.3	c. 9550 Slider XO - Impact Rated	Extruded Vinyl "Impact" Horizontal Sliding Window utilizing a Nail Fin Installation (XO or OX configurations)
Limits of Use Approved for use in HVHZ: No Approved for use outside HVHZ: Yes Impact Resistant: Yes Design Pressure: N/A Other: See INST 16842.3 for Design Pressure Ratings, any additional use limitations, installation instructions and product particulars.		Installation Instructions FL16842_R3_II_Inst_16842.3.pdf Verified By: Lyndon F. Schmidt, P.E. 43409 Created by Independent Third Party: Yes Evaluation Reports FL16842_R3_AE_Eval_16842.3.pdf Created by Independent Third Party: Yes
16842.4	d. 9550 Slider XO - Impact Rated	Extruded Vinyl "Impact" Horizontal Sliding Window with Flange Installation (XO or OX configurations)
Limits of Use Approved for use in HVHZ: No Approved for use outside HVHZ: Yes Impact Resistant: Yes Design Pressure: N/A Other: See INST 16842.4 for Design Pressure Ratings, any additional use limitations, installation instructions and product particulars.		Installation Instructions FL16842_R3_II_Inst_16842.4.pdf Verified By: Lyndon F. Schmidt, P.E. 43409 Created by Independent Third Party: Yes Evaluation Reports FL16842_R3_AE_Eval_16842.4.pdf Created by Independent Third Party: Yes
16842.5	e. 9550 Slider XO - Impact Rated - HVHZ	Extruded Vinyl "Impact" Horizontal Sliding Window utilizing a Nail Fin Installation (XO or OX configurations)
Limits of Use Approved for use in HVHZ: Yes Approved for use outside HVHZ: Yes Impact Resistant: Yes Design Pressure: N/A Other: See INST 16842.5 for Design Pressure Ratings, any additional use limitations, installation instructions and product particulars.		Installation Instructions FL16842_R3_II_Inst_16842.5.pdf Verified By: Lyndon F. Schmidt, P.E. 43409 Created by Independent Third Party: Yes Evaluation Reports FL16842_R3_AE_Eval_16842.5.pdf Created by Independent Third Party: Yes
16842.6	f. 9550 Slider XO - Impact Rated - HVHZ	Extruded Vinyl "Impact" Horizontal Sliding Window with Flange Installation (XO or OX configurations)

	Limits of Use Approved for use in HVHZ: Yes Approved for use outside HVHZ: Yes Impact Resistant: Yes Design Pressure: N/A Other: See INST 16842.6 for Design Pressure Ratings, any additional use limitations, installation instructions and product particulars.	Installation Instructions FL16842_R3_II_Inst_16842.6.pdf Verified By: Lyndon F. Schmidt, P.E. 43409 Created by Independent Third Party: Yes Evaluation Reports FL16842_R3_AE_Eval_16842.6.pdf Created by Independent Third Party: Yes
16842.7	g. 9500-3 Slider XOX	Extruded Vinyl "Non-Impact" Horizontal Sliding Window utilizing a Nail Fin Installation (XOX, configuration)
	Limits of Use Approved for use in HVHZ: No Approved for use outside HVHZ: Yes Impact Resistant: No Design Pressure: N/A Other: See INST 16842.7 for Design Pressure Ratings, any additional use limitations, installation instructions and product particulars.	Installation Instructions FL16842_R3_II_Inst_16842.7.pdf Verified By: Lyndon F. Schmidt, P.E. 43409 Created by Independent Third Party: Yes Evaluation Reports FL16842_R3_AE_Eval_16842.7.pdf Created by Independent Third Party: Yes
16842.8	h. 9500-3 Slider XOX	Extruded Vinyl "Non-Impact" Horizontal Sliding Window with Flange Installation (XOX, configuration)
	Limits of Use Approved for use in HVHZ: No Approved for use outside HVHZ: Yes Impact Resistant: No Design Pressure: N/A Other: See INST 16842.8 for Design Pressure Ratings, any additional use limitations, installation instructions and product particulars.	Installation Instructions FL16842_R3_II_Inst_16842.8.pdf Verified By: Lyndon F. Schmidt, P.E. 43409 Created by Independent Third Party: Yes Evaluation Reports FL16842_R3_AE_Eval_16842.8.pdf Created by Independent Third Party: Yes
16842.9	i. 9550-3 Slider XOX - Impact Rated	Extruded Vinyl "Impact" Horizontal Sliding Window utilizing a Nail Fin Installation (XOX, configuration)
	Limits of Use Approved for use in HVHZ: No Approved for use outside HVHZ: Yes Impact Resistant: Yes Design Pressure: N/A Other: See INST 16842.9 for Design Pressure Ratings, any additional use limitations, installation instructions and product particulars.	Installation Instructions FL16842_R3_II_Inst_16842.9.pdf Verified By: Lyndon F. Schmidt, P.E. 43409 Created by Independent Third Party: Yes Evaluation Reports FL16842_R3_AE_Eval_16842.9.pdf Created by Independent Third Party: Yes
16842.10	j. 9550-3 Slider XOX - Impact Rated	Extruded Vinyl "Impact" Horizontal Sliding Window with Flange Installation (XOX, configuration)
	Limits of Use Approved for use in HVHZ: No Approved for use outside HVHZ: Yes Impact Resistant: Yes Design Pressure: N/A Other: See INST 16842.10 for Design Pressure Ratings, any additional use limitations, installation instructions and product particulars.	Installation Instructions FL16842_R3_II_Inst_16842.10.pdf Verified By: Lyndon F. Schmidt, P.E. 43409 Created by Independent Third Party: Yes Evaluation Reports FL16842_R3_AE_Eval_16842.10.pdf Created by Independent Third Party: Yes
16842.11	k. 9550-3 Slider XOX - Impact Rated - HVHZ	Extruded Vinyl "Impact" Horizontal Sliding Window utilizing a Nail Fin Installation (XOX, configuration)
	Limits of Use Approved for use in HVHZ: Yes Approved for use outside HVHZ: Yes Impact Resistant: Yes Design Pressure: N/A Other: See INST 16842.11 for Design Pressure Ratings, any additional use limitations, installation instructions and product particulars.	Installation Instructions FL16842_R3_II_Inst_16842.11.pdf Verified By: Lyndon F. Schmidt, P.E. 43409 Created by Independent Third Party: Yes Evaluation Reports FL16842_R3_AE_Eval_16842.11.pdf Created by Independent Third Party: Yes
16842.12	l. 9550-3 Slider XOX - Impact Rated - HVHZ	Extruded Vinyl "Impact" Horizontal Sliding Window with Flange Installation (XOX, configuration)
	Limits of Use Approved for use in HVHZ: Yes Approved for use outside HVHZ: Yes Impact Resistant: Yes Design Pressure: N/A Other: See INST 16842.12 for Design Pressure Ratings, any additional use limitations, installation instructions and product particulars.	Installation Instructions FL16842_R3_II_Inst_16842.12.pdf Verified By: Lyndon F. Schmidt, P.E. 43409 Created by Independent Third Party: Yes Evaluation Reports FL16842_R3_AE_Eval_16842.12.pdf Created by Independent Third Party: Yes
16842.13	m. DuraGard Slider XX	Extruded Vinyl "Non-Impact" Horizontal Sliding Window utilizing a Nail Fin Installation (XX, configuration)

	Limits of Use Approved for use in HVHZ: No Approved for use outside HVHZ: Yes Impact Resistant: No Design Pressure: N/A Other: See INST 16842.13 for Design Pressure Ratings, any additional use limitations, installation instructions and product particulars.	Installation Instructions FL16842_R3_II_INST16842.13.pdf Verified By: Lyndon F. Schmidt, P.E. 43409 Created by Independent Third Party: Yes Evaluation Reports FL16842_R3_AE_Eval16842.13.pdf Created by Independent Third Party: Yes
16842.14	n. DuraGard Slider XX	Extruded Vinyl "Non-Impact" Horizontal Sliding Window (XX, configuration)
	Limits of Use Approved for use in HVHZ: No Approved for use outside HVHZ: Yes Impact Resistant: No Design Pressure: N/A Other: See INST 16842.14 for Design Pressure Ratings, any additional use limitations, installation instructions and product particulars.	Installation Instructions FL16842_R3_II_INST16842.14.pdf Verified By: Lyndon F. Schmidt, P.E. 43409 Created by Independent Third Party: Yes Evaluation Reports FL16842_R3_AE_Eval16842.14.pdf Created by Independent Third Party: Yes
16842.15	o. DuraGard - 3 Slider XOX	Extruded Vinyl "Non-Impact" Horizontal Sliding Window utilizing a Nail Fin Installation (XOX, configuration)
	Limits of Use Approved for use in HVHZ: No Approved for use outside HVHZ: Yes Impact Resistant: No Design Pressure: N/A Other: See INST 16842.15 for Design Pressure Ratings, any additional use limitations, installation instructions and product particulars.	Installation Instructions FL16842_R3_II_INST16842.15.pdf Verified By: Lyndon F. Schmidt, P.E. 43409 Created by Independent Third Party: Yes Evaluation Reports FL16842_R3_AE_Eval16842.15.pdf Created by Independent Third Party: Yes
16842.16	p. DuraGard - 3 Slider XOX	Extruded Vinyl "Non-Impact" Horizontal Sliding Window with Flange Installation (XOX, configuration)
	Limits of Use Approved for use in HVHZ: No Approved for use outside HVHZ: Yes Impact Resistant: No Design Pressure: N/A Other: See INST 16842.16 for Design Pressure Ratings, any additional use limitations, installation instructions and product particulars.	Installation Instructions FL16842_R3_II_INST16842.16.pdf Verified By: Lyndon F. Schmidt, P.E. 43409 Created by Independent Third Party: Yes Evaluation Reports FL16842_R3_AE_Eval16842.16.pdf Created by Independent Third Party: Yes
16842.17	q. Sashlite Slider XX	Extruded Vinyl "Non-Impact" Horizontal Sliding Window utilizing a Nail Fin Installation (XX, configuration)
	Limits of Use Approved for use in HVHZ: No Approved for use outside HVHZ: Yes Impact Resistant: No Design Pressure: N/A Other: See INST 16842.17 for Design Pressure Ratings, any additional use limitations, installation instructions and product particulars.	Installation Instructions FL16842_R3_II_INST16842.17.pdf Verified By: Lyndon F. Schmidt, P.E. 43409 Created by Independent Third Party: Yes Evaluation Reports FL16842_R3_AE_Eval16842.17.pdf Created by Independent Third Party: Yes
16842.18	r. Sashlite Slider XX	Extruded Vinyl "Non-Impact" Horizontal Sliding Window (XX, configuration)
	Limits of Use Approved for use in HVHZ: No Approved for use outside HVHZ: Yes Impact Resistant: No Design Pressure: N/A Other: See INST 16842.18 for Design Pressure Ratings, any additional use limitations, installation instructions and product particulars.	Installation Instructions FL16842_R3_II_INST16842.18.pdf Verified By: Lyndon F. Schmidt, P.E. 43409 Created by Independent Third Party: Yes Evaluation Reports FL16842_R3_AE_Eval16842.18.pdf Created by Independent Third Party: Yes
16842.19	s. Sashlite - 3 Slider XOX	Extruded Vinyl "Non-Impact" Horizontal Sliding Window utilizing a Nail Fin Installation (XOX, configuration)
	Limits of Use Approved for use in HVHZ: No Approved for use outside HVHZ: Yes Impact Resistant: No Design Pressure: N/A Other: See INST 16842.19 for Design Pressure Ratings, any additional use limitations, installation instructions and product particulars.	Installation Instructions FL16842_R3_II_INST16842.19.pdf Verified By: Lyndon F. Schmidt, P.E. 43409 Created by Independent Third Party: Yes Evaluation Reports FL16842_R3_AE_Eval16842.19.pdf Created by Independent Third Party: Yes
16842.20	t. Sashlite - 3 Slider XOX	Extruded Vinyl "Non-Impact" Horizontal Sliding Window (XOX, configuration)

Limits of Use
Approved for use in HVHZ: No
Approved for use outside HVHZ: Yes
Impact Resistant: No
Design Pressure: N/A
Other: See INST 16842.20 for Design Pressure Ratings, any additional use limitations, installation instructions and product particulars.

Installation Instructions
[FL16842_R3_II_INST_16842.20.pdf](#)
 Verified By: Lyndon F. Schmidt, P.E. 43409
 Created by Independent Third Party: Yes
Evaluation Reports
[FL16842_R3_AE_Eval_16842.20.pdf](#)
 Created by Independent Third Party: Yes

Go to Page

Page 1 / 2



Contact Us :: 2501 Blair Stone Road, Tallahassee FL 32399 Phone: 850-487-1824

The State of Florida is an AA/EEO employer. [Copyright 2007-2013 State of Florida](#), :: [Privacy Statement](#) :: [Accessibility Statement](#) :: [Refund Statement](#)

Under Florida law, email addresses are public records. If you do not want your e-mail address released in response to a public-records request, do not send electronic mail to this entity. Instead, contact the office by phone or by traditional mail. If you have any questions, please contact 850.487.1395. *Pursuant to Section 455.275(1), Florida Statutes, effective October 1, 2012, licensees licensed under Chapter 455, F.S. must provide the Department with an email address if they have one. The emails provided may be used for official communication with the licensee. However email addresses are public record. If you do not wish to supply a personal address, please provide the Department with an email address which can be made available to the public. To determine if you are a licensee under Chapter 455, F.S., please click [here](#).

Product Approval Accepts:



Credit Card
Safe





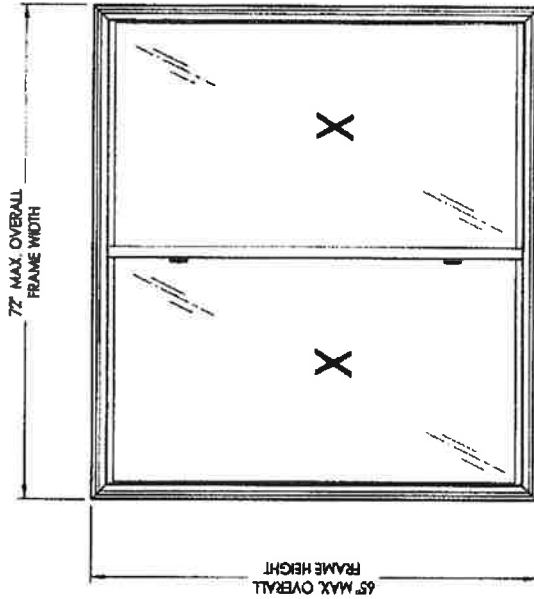
4901 Oak Fair Blvd., Tampa, FL 33610

DuraGard Slider XX "NON-IMPACT"

GENERAL NOTES

1. This product anchoring drawing has been evaluated and is in compliance with the 5th Edition (2014) Florida Building Code (FBC) excluding the "High Velocity Hurricane Zone" (HVHZ). See the Certification Agency Certificate for sizes, specifications & ratings.
2. Product anchors shall be as listed and spaced as shown on details. Anchor embedment to base material shall be beyond wall dressing or stucco.
3. When used in areas requiring wind borne debris protection this product is required to be protected with an impact resistant covering that complies with Section 1609.1.2 of the FBC.
4. Site conditions that deviate from the details of this drawing require further engineering analysis by a licensed engineer or registered architect.

TABLE OF CONTENTS	
SHEET#	DESCRIPTION
1	Typical elevations, design pressures & general notes
2	Vertical & horizontal cross sections
3	Vertical & horizontal cross sections
4	Buck & frame anchoring
5	Bill of materials, glazing details and components



FRAME DIMENSION	DAY LIGHT DIMENSION	GLASS TYPE	DESIGN PRESSURE (PSF)	
			POS.	NEG.
72.0" x 65.0"	32.56" x 58.5"	G1	+30.0	-30.0
72.0" x 64.0"	32.56" x 49.5"	G1	+35.0	-35.0

Documents Prepared By:
Lyndon F. Schmidt
P.E. No. 43400

Building Consultants, Inc.
P.O. Box 230, Vero Beach, FL 33595
Phone No.: 813.659.9187
FBPE C.A. No. 8813

PRODUCT: HORIZONTAL SLIDER

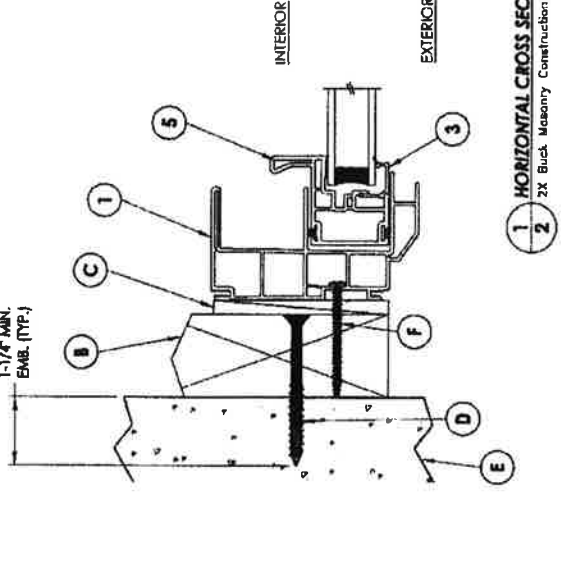
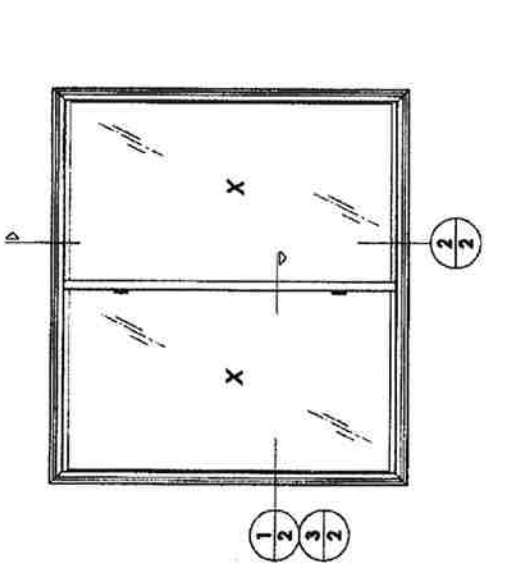
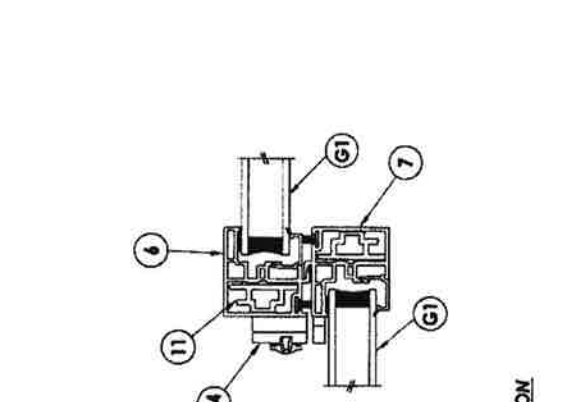
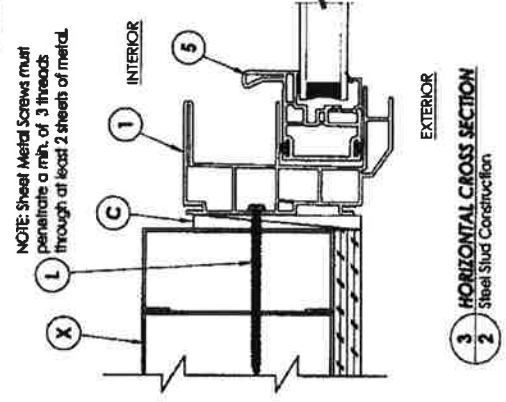
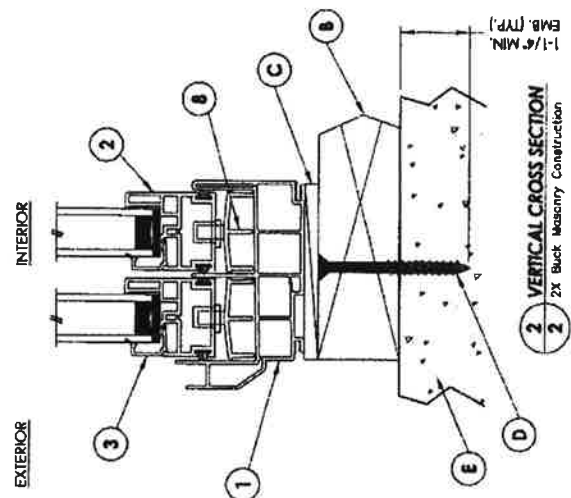
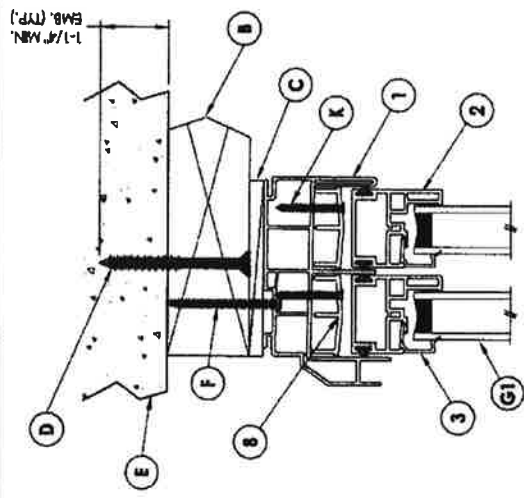
PART OR ASSEMBLY: TYPICAL ELEVATION, DESIGN PRESSURES & GENERAL NOTES

NO.	DATE	REVISIONS
1	6/25/15	UPDATE TO 5TH ED. (2014) FBC LFS

DATE: 3/20/12
SCALE: N.T.S.
DWG. BY: JK
CHK. BY: LFS
DESIGNER NO.:
FL-16842.14
SHEET 1 OF 5

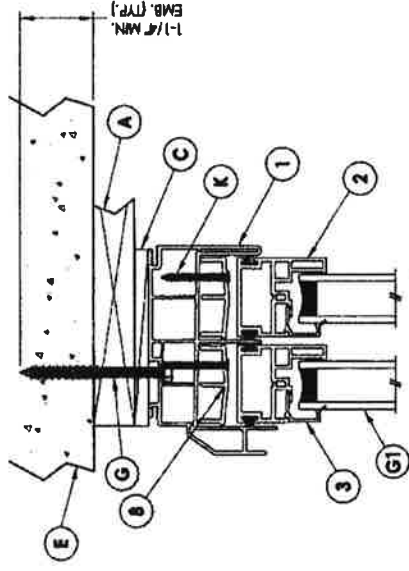
REVISIONS NO. DATE 1 6/25/15 UPDATE TO 5TH ED. (2014) FBC LFS 2 BY		PART OR ASSEMBLY: HORIZONTAL SUDER VERICAL & HORIZONTAL CROSS SECTIONS
DATE: 3/20/12 SCALE: N.T.S. DWG. BY: JJK CHK. BY: LFS DRAWING NO.: FL-16842.14 SHEET 2 of 5		PRODUCT: HORIZONTAL SUDER Documents Prepared By: Lyndon F. Schmidt P.E. No. 43408 BUILDING CONSULTANTS, INC. P.O. Box 230, Vero Beach, FL 33595 Phone No.: 813.858.9187 FPE CA No. 8813

L.F. SCHMIDT
 PROFESSIONAL ENGINEER
 No. 43408
 FLORIDA
 7-115
 RSM

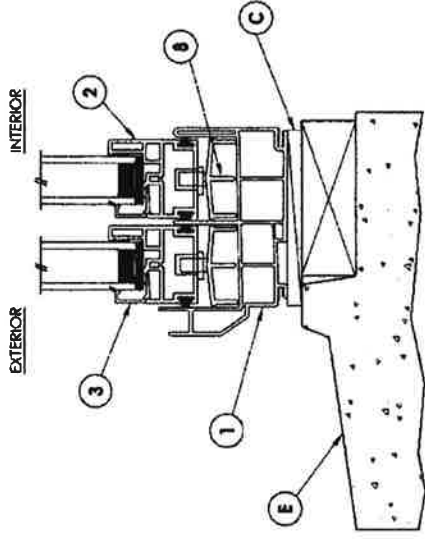


PRODUCT: HORIZONTAL SLIDER PART OR ASSEMBLY: VERTICAL & HORIZONTAL CROSS SECTIONS		REVISIONS NO. DATE BY 1 6/25/13 UPDATE TO 5TH ED. (2014) FBC LFS	
BUILDING CONSULTANTS, INC. P.O. Box 230, Vero Beach, FL 33989 Phone No.: 813.859.8187 FIFE CA. No. 9813		DATE: 3/20/12 SCALE: N.T.S. DWG. BR: JK CHK. BR: LFS DRAWING NO.: FL-16842.14 SHEET 3 of 5	

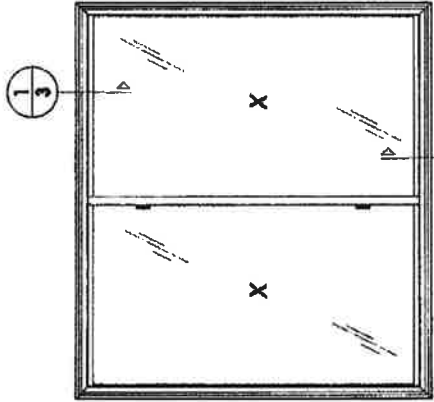
Documents Prepared By: Lynden F. Schmidt
 P.E. No. 43408
 L.F. SCHMIDT
 PROFESSIONAL ENGINEER
 No. 43408
 Licensure



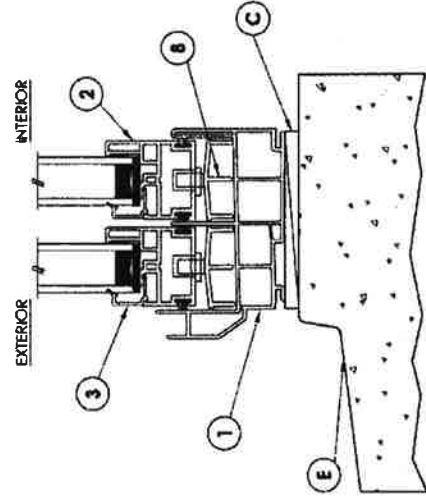
1 VERTICAL CROSS SECTION
 INTERIOR
 EXTERIOR



3 VERTICAL CROSS SECTION
 INTERIOR
 EXTERIOR



2 VERTICAL CROSS SECTION
 INTERIOR
 EXTERIOR



2 VERTICAL CROSS SECTION
 INTERIOR
 EXTERIOR

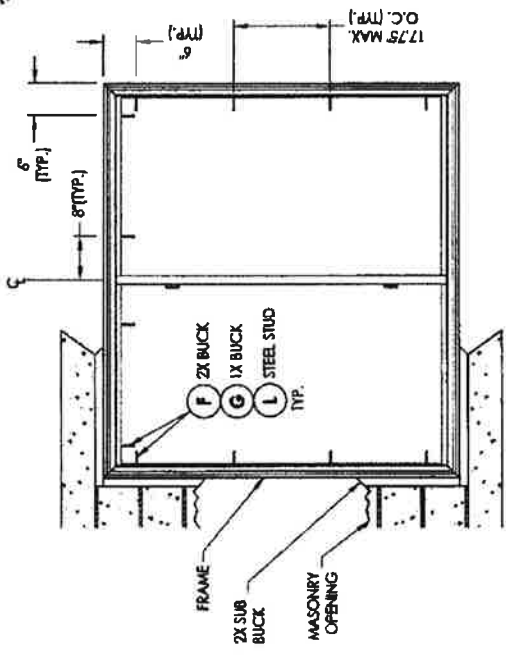
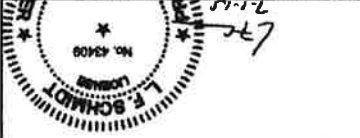
REVISIONS		DATE	BY
1	UPDATE TO 5TH ED. (2014) FBC LFS	6/25/15	

DATE:	3/20/12
SCALE:	N.T.S.
DWG. BY:	JK
CHEK. BY:	LFS
DATE:	FL-16842.14
SHEET:	4 OF 5

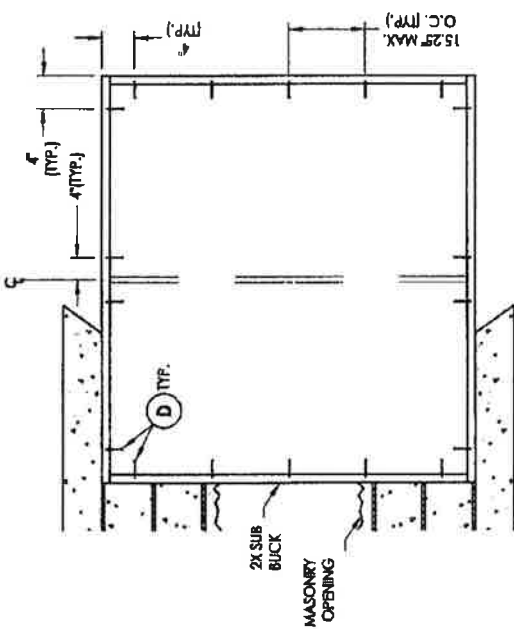
PRODUCT:	HORIZONTAL SLIDER
PART OR ASSEMBLY:	BUCK & FRAME ANCHORING

Documents Prepared by: London F. Schmidt
P.E. No. 45409

BUILDING CONSULTANTS, INC.
P.O. Box 230, Voltron, FL 33585
Phone No.: 813.888.8197
FPIE CA. No. 9813



FRAME ANCHORING



2X BUCK ANCHORING

CONCRETE ANCHOR NOTES:

- Concrete anchor locations at the corners may be adjusted to maintain the min. edge distance to masonry joints.
- Concrete anchor locations noted as "MAX. ON CENTER" must be adjusted to maintain the min. edge distance to masonry joints. Additional concrete anchors may be required to ensure the "MAX. ON CENTER" dimension are not exceeded.
- Concrete anchor tabs:

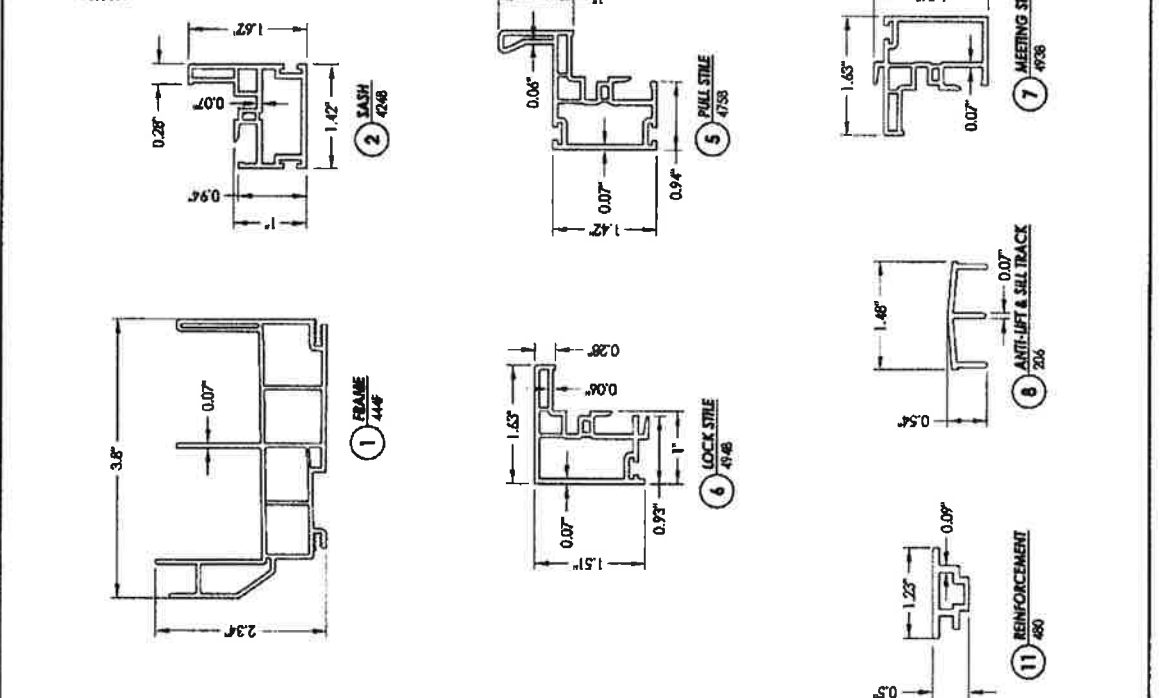
ANCHOR TYPE	ANCHOR SIZE	MIN. EMBEDMENT	MIN. CLEARANCE TO MASONRY EDGE	MIN. CLEARANCE TO ADJACENT ANCHOR
ITW TAPCON®	1/4"	1-1/4"	2"	6"
ELCO ULTRACON®	1/4"	1-1/4"	1"	6"

WOOD SCREEN INSTALLATION NOTES:

- Maintain a minimum 3/8" edge distance, 1" end distance, & 1" o.c. spacing of wood screws to prevent the splitting of wood.

REVISIONS	
NO.	DATE
1	8/29/15
UPDATE TO 5TH ED. (2014) FBC LFS	

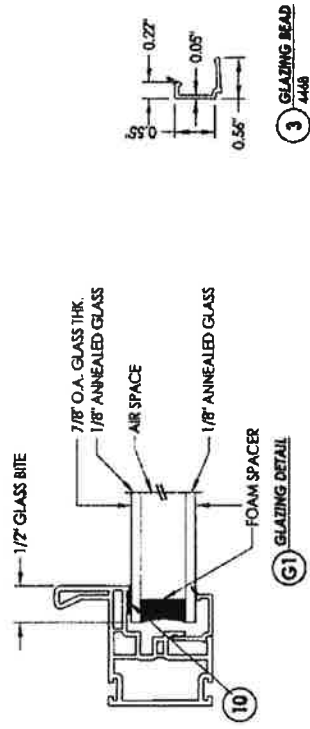
DATE: 3/20/12
 SCALE: N.T.S.
 DWG. BY: JK
 CHK. BY: LFS
 DRAWING NO.: FL-16642.14
 SHEET 5 OF 5



BILL OF MATERIALS

ITEM #	DESCRIPTION	MATERIAL
A	1X BUICK (SG >= 0.42)	WOOD
B	2X BUICK (SG >= 0.42)	WOOD
C	1/4" MAX. SHIM SPACE	
D	1/4" X 2-3/4" PPH ELCO OR ITW CONCRETE SCREW	STEEL
E	MASONRY - 3,000 PSI MIN. CONCRETE CONFORMING TO ACI 301 OR HOLLOW BLOCK CONFORMING TO ASTM C90	CONCRETE
F	#10 X 2" PPH SMS (1-1/2" MIN. EMBEDMENT)	STEEL
G	1/4" X 2-3/4" PPH ELCO OR ITW CONCRETE SCREW	WOOD
K	#6 X 1-1/4" PPH SMS	STEEL
L	#10 PPH SELF-DRILLING SMS	STEEL
X	STEEL STUD MIN. THK .033" (ASTM A653 GRADE 33 Fy=33 ksi min., Fu=45 ksi min.)	STEEL
1	FRAME*	PVC
2	SASH*	PVC
3	GLAZING BEAD*	PVC
4	GLASS SETTING BLOCK	PVC
5	PULL STILE*	PVC
6	LOCK STILE*	PVC
7	MEETING STILE*	PVC
8	ANTI-LIFT & SILL TRACK*	PVC
10	GLAZING SILICONE (DOW 1199)	
11	REINFORCEMENT (6063 - T5)	ALUM
14	LOCK ASSEMBLY (TRUTH)	STEEL

* THE APPROVED WHITE RIGID PVC EXTERIOR EXTRUSIONS FOR WINDOWS ARE TO BE PRODUCED BY EXTRUDERS LICENSEES IN "AAMA CERTIFICATION PROGRAMS FOR RIGID PVC EXTRUSIONS".





[BCIS Home](#) |
 [Log In](#) |
 [User Registration](#) |
 [Hot Topics](#) |
 [Submit Surcharge](#) |
 [Stats & Facts](#) |
 [Publications](#) |
 [FBC Staff](#) |
 [BCIS Site Map](#) |
 [Links](#) |
 [Search](#)



Product Approval
USER: Public User

[Product Approval Menu](#) >
 [Product or Application Search](#) >
 [Application List](#) >
 Application Detail



<p>FL #</p> <p>Application Type</p> <p>Code Version</p> <p>Application Status</p> <p>Comments</p> <p>Archived</p> <p>Product Manufacturer</p> <p>Address/Phone/Email</p> <p>Authorized Signature</p> <p>Technical Representative</p> <p>Address/Phone/Email</p> <p>Quality Assurance Representative</p> <p>Address/Phone/Email</p> <p>Category</p> <p>Subcategory</p> <p>Compliance Method</p> <p>Florida Engineer or Architect Name who developed the Evaluation Report</p> <p>Florida License</p> <p>Quality Assurance Entity</p> <p>Quality Assurance Contract Expiration Date</p> <p>Validated By</p> <p>Certificate of Independence</p> <p>Referenced Standard and Year (of Standard)</p> <p>Equivalence of Product Standards Certified By</p> <p>Sections from the Code</p>	<p>FL16842-R3</p> <p>Revision</p> <p>2014</p> <p>Approved</p> <p></p> <p>NewSouth Window Solutions</p> <p>4901 oak fair blvd</p> <p>tampa, FL 33610</p> <p>(513) 284-0129</p> <p>danochstein@newsouthwindow.com</p> <p>Vivian Wright</p> <p>rckw@rwbldgconsultants.com</p> <p></p> <p>Windows</p> <p>Horizontal Slider</p> <p>Evaluation Report from a Florida Registered Architect or a Licensed Florida Professional Engineer</p> <p>Evaluation Report - Hardcopy Received</p> <p>Lyndon F. Schmidt, P.E.</p> <p>PE-43409</p> <p>National Accreditation and Management Institute</p> <p>12/31/2017</p> <p>Ryan J. King, P.E.</p> <p>✓ Validation Checklist - Hardcopy Received</p> <p>FL16842_R3_COI_CERTIFICATE OF INDEPENDENCE cc.pdf</p> <table border="0"> <thead> <tr> <th style="text-align: left;">Standard</th> <th style="text-align: left;">Year</th> </tr> </thead> <tbody> <tr> <td>AAMA/WDMA/CSA101/I.S.2/A440</td> <td>2008</td> </tr> <tr> <td>AAMA/WDMA/CSA101/I.S.2/A440</td> <td>2005</td> </tr> <tr> <td>ASTM E1886</td> <td>2005</td> </tr> <tr> <td>ASTM E1996</td> <td>2006</td> </tr> <tr> <td>ASTM E1996</td> <td>2005</td> </tr> <tr> <td>TAS 201, 202, 203</td> <td>1994</td> </tr> </tbody> </table>	Standard	Year	AAMA/WDMA/CSA101/I.S.2/A440	2008	AAMA/WDMA/CSA101/I.S.2/A440	2005	ASTM E1886	2005	ASTM E1996	2006	ASTM E1996	2005	TAS 201, 202, 203	1994
Standard	Year														
AAMA/WDMA/CSA101/I.S.2/A440	2008														
AAMA/WDMA/CSA101/I.S.2/A440	2005														
ASTM E1886	2005														
ASTM E1996	2006														
ASTM E1996	2005														
TAS 201, 202, 203	1994														

Product Approval Method

Method 1 Option D

Date Submitted 12/20/2015
 Date Validated 01/14/2016
 Date Pending FBC Approval 01/18/2016
 Date Approved 04/12/2016
 Date Revised 04/11/2017

Summary of Products

Go to Page

Page 1 / 2

FL #	Model, Number or Name	Description
16842.1	a. 9500 Slider XO	Extruded Vinyl "Non-Impact" Horizontal Sliding Window utilizing a Nail Fin Installation (XO or OX configurations)
Limits of Use Approved for use in HVHZ: No Approved for use outside HVHZ: Yes Impact Resistant: No Design Pressure: N/A Other: See INST 16842.1 for Design Pressure Ratings, any additional use limitations, installation instructions and product particulars.		Installation Instructions FL16842_R3_II_Inst_16842.1.pdf Verified By: Lyndon F. Schmidt, P.E. 43409 Created by Independent Third Party: Yes Evaluation Reports FL16842_R3_AE_Eval_16842.1.pdf Created by Independent Third Party: Yes
16842.2	b. 9500 Slider XO	Extruded Vinyl "Non-Impact" Horizontal Sliding Window with Flange Installation (XO or OX configurations)
Limits of Use Approved for use in HVHZ: No Approved for use outside HVHZ: Yes Impact Resistant: No Design Pressure: N/A Other: See INST 16842.2 for Design Pressure Ratings, any additional use limitations, installation instructions and product particulars.		Installation Instructions FL16842_R3_II_INST_16842.2.pdf Verified By: Lyndon F. Schmidt, P.E. 43409 Created by Independent Third Party: Yes Evaluation Reports FL16842_R3_AE_Eval_16842.2.pdf Created by Independent Third Party: Yes
16842.3	c. 9550 Slider XO - Impact Rated	Extruded Vinyl "Impact" Horizontal Sliding Window utilizing a Nail Fin Installation (XO or OX configurations)
Limits of Use Approved for use in HVHZ: No Approved for use outside HVHZ: Yes Impact Resistant: Yes Design Pressure: N/A Other: See INST 16842.3 for Design Pressure Ratings, any additional use limitations, installation instructions and product particulars.		Installation Instructions FL16842_R3_II_Inst_16842.3.pdf Verified By: Lyndon F. Schmidt, P.E. 43409 Created by Independent Third Party: Yes Evaluation Reports FL16842_R3_AE_Eval_16842.3.pdf Created by Independent Third Party: Yes
16842.4	d. 9550 Slider XO - Impact Rated	Extruded Vinyl "Impact" Horizontal Sliding Window with Flange Installation (XO or OX configurations)
Limits of Use Approved for use in HVHZ: No Approved for use outside HVHZ: Yes Impact Resistant: Yes Design Pressure: N/A Other: See INST 16842.4 for Design Pressure Ratings, any additional use limitations, installation instructions and product particulars.		Installation Instructions FL16842_R3_II_Inst_16842.4.pdf Verified By: Lyndon F. Schmidt, P.E. 43409 Created by Independent Third Party: Yes Evaluation Reports FL16842_R3_AE_Eval_16842.4.pdf Created by Independent Third Party: Yes
16842.5	e. 9550 Slider XO - Impact Rated - HVHZ	Extruded Vinyl "Impact" Horizontal Sliding Window utilizing a Nail Fin Installation (XO or OX configurations)
Limits of Use Approved for use in HVHZ: Yes Approved for use outside HVHZ: Yes Impact Resistant: Yes Design Pressure: N/A Other: See INST 16842.5 for Design Pressure Ratings, any additional use limitations, installation instructions and product particulars.		Installation Instructions FL16842_R3_II_Inst_16842.5.pdf Verified By: Lyndon F. Schmidt, P.E. 43409 Created by Independent Third Party: Yes Evaluation Reports FL16842_R3_AE_Eval_16842.5.pdf Created by Independent Third Party: Yes
16842.6	f. 9550 Slider XO - Impact Rated - HVHZ	Extruded Vinyl "Impact" Horizontal Sliding Window with Flange Installation (XO or OX configurations)

	Limits of Use Approved for use in HVHZ: Yes Approved for use outside HVHZ: Yes Impact Resistant: Yes Design Pressure: N/A Other: See INST 16842.6 for Design Pressure Ratings, any additional use limitations, installation instructions and product particulars.	Installation Instructions FL16842_R3_II_Inst_16842.6.pdf Verified By: Lyndon F. Schmidt, P.E. 43409 Created by Independent Third Party: Yes Evaluation Reports FL16842_R3_AE_Eval_16842.6.pdf Created by Independent Third Party: Yes
16842.7	g. 9500-3 Slider XOX	Extruded Vinyl "Non-Impact" Horizontal Sliding Window utilizing a Nail Fin Installation (XOX, configuration)
	Limits of Use Approved for use in HVHZ: No Approved for use outside HVHZ: Yes Impact Resistant: No Design Pressure: N/A Other: See INST 16842.7 for Design Pressure Ratings, any additional use limitations, installation instructions and product particulars.	Installation Instructions FL16842_R3_II_Inst_16842.7.pdf Verified By: Lyndon F. Schmidt, P.E. 43409 Created by Independent Third Party: Yes Evaluation Reports FL16842_R3_AE_Eval_16842.7.pdf Created by Independent Third Party: Yes
16842.8	h. 9500-3 Slider XOX	Extruded Vinyl "Non-Impact" Horizontal Sliding Window with Flange Installation (XOX, configuration)
	Limits of Use Approved for use in HVHZ: No Approved for use outside HVHZ: Yes Impact Resistant: No Design Pressure: N/A Other: See INST 16842.8 for Design Pressure Ratings, any additional use limitations, installation instructions and product particulars.	Installation Instructions FL16842_R3_II_Inst_16842.8.pdf Verified By: Lyndon F. Schmidt, P.E. 43409 Created by Independent Third Party: Yes Evaluation Reports FL16842_R3_AE_Eval_16842.8.pdf Created by Independent Third Party: Yes
16842.9	i. 9550-3 Slider XOX - Impact Rated	Extruded Vinyl "Impact" Horizontal Sliding Window utilizing a Nail Fin Installation (XOX, configuration)
	Limits of Use Approved for use in HVHZ: No Approved for use outside HVHZ: Yes Impact Resistant: Yes Design Pressure: N/A Other: See INST 16842.9 for Design Pressure Ratings, any additional use limitations, installation instructions and product particulars.	Installation Instructions FL16842_R3_II_Inst_16842.9.pdf Verified By: Lyndon F. Schmidt, P.E. 43409 Created by Independent Third Party: Yes Evaluation Reports FL16842_R3_AE_Eval_16842.9.pdf Created by Independent Third Party: Yes
16842.10	j. 9550-3 Slider XOX - Impact Rated	Extruded Vinyl "Impact" Horizontal Sliding Window with Flange Installation (XOX, configuration)
	Limits of Use Approved for use in HVHZ: No Approved for use outside HVHZ: Yes Impact Resistant: Yes Design Pressure: N/A Other: See INST 16842.10 for Design Pressure Ratings, any additional use limitations, installation instructions and product particulars.	Installation Instructions FL16842_R3_II_Inst_16842.10.pdf Verified By: Lyndon F. Schmidt, P.E. 43409 Created by Independent Third Party: Yes Evaluation Reports FL16842_R3_AE_Eval_16842.10.pdf Created by Independent Third Party: Yes
16842.11	k. 9550-3 Slider XOX - Impact Rated - HVHZ	Extruded Vinyl "Impact" Horizontal Sliding Window utilizing a Nail Fin Installation (XOX, configuration)
	Limits of Use Approved for use in HVHZ: Yes Approved for use outside HVHZ: Yes Impact Resistant: Yes Design Pressure: N/A Other: See INST 16842.11 for Design Pressure Ratings, any additional use limitations, installation instructions and product particulars.	Installation Instructions FL16842_R3_II_Inst_16842.11.pdf Verified By: Lyndon F. Schmidt, P.E. 43409 Created by Independent Third Party: Yes Evaluation Reports FL16842_R3_AE_Eval_16842.11.pdf Created by Independent Third Party: Yes
16842.12	l. 9550-3 Slider XOX - Impact Rated - HVHZ	Extruded Vinyl "Impact" Horizontal Sliding Window with Flange Installation (XOX, configuration)
	Limits of Use Approved for use in HVHZ: Yes Approved for use outside HVHZ: Yes Impact Resistant: Yes Design Pressure: N/A Other: See INST 16842.12 for Design Pressure Ratings, any additional use limitations, installation instructions and product particulars.	Installation Instructions FL16842_R3_II_Inst_16842.12.pdf Verified By: Lyndon F. Schmidt, P.E. 43409 Created by Independent Third Party: Yes Evaluation Reports FL16842_R3_AE_Eval_16842.12.pdf Created by Independent Third Party: Yes
16842.13	m. DuraGard Slider XX	Extruded Vinyl "Non-Impact" Horizontal Sliding Window utilizing a Nail Fin Installation (XX, configuration)

	Limits of Use Approved for use in HVHZ: No Approved for use outside HVHZ: Yes Impact Resistant: No Design Pressure: N/A Other: See INST 16842.13 for Design Pressure Ratings, any additional use limitations, installation instructions and product particulars.	Installation Instructions FL16842_R3_II_INST16842.13.pdf Verified By: Lyndon F. Schmidt, P.E. 43409 Created by Independent Third Party: Yes Evaluation Reports FL16842_R3_AE_Eval16842.13.pdf Created by Independent Third Party: Yes
16842.14	n. DuraGard Slider XX	Extruded Vinyl "Non-Impact" Horizontal Sliding Window (XX, configuration)
	Limits of Use Approved for use in HVHZ: No Approved for use outside HVHZ: Yes Impact Resistant: No Design Pressure: N/A Other: See INST 16842.14 for Design Pressure Ratings, any additional use limitations, installation instructions and product particulars.	Installation Instructions FL16842_R3_II_INST16842.14.pdf Verified By: Lyndon F. Schmidt, P.E. 43409 Created by Independent Third Party: Yes Evaluation Reports FL16842_R3_AE_Eval16842.14.pdf Created by Independent Third Party: Yes
16842.15	o. DuraGard - 3 Slider XOX	Extruded Vinyl "Non-Impact" Horizontal Sliding Window utilizing a Nail Fin Installation (XOX, configuration)
	Limits of Use Approved for use in HVHZ: No Approved for use outside HVHZ: Yes Impact Resistant: No Design Pressure: N/A Other: See INST 16842.15 for Design Pressure Ratings, any additional use limitations, installation instructions and product particulars.	Installation Instructions FL16842_R3_II_INST16842.15.pdf Verified By: Lyndon F. Schmidt, P.E. 43409 Created by Independent Third Party: Yes Evaluation Reports FL16842_R3_AE_Eval16842.15.pdf Created by Independent Third Party: Yes
16842.16	p. DuraGard - 3 Slider XOX	Extruded Vinyl "Non-Impact" Horizontal Sliding Window with Flange Installation (XOX, configuration)
	Limits of Use Approved for use in HVHZ: No Approved for use outside HVHZ: Yes Impact Resistant: No Design Pressure: N/A Other: See INST 16842.16 for Design Pressure Ratings, any additional use limitations, installation instructions and product particulars.	Installation Instructions FL16842_R3_II_INST16842.16.pdf Verified By: Lyndon F. Schmidt, P.E. 43409 Created by Independent Third Party: Yes Evaluation Reports FL16842_R3_AE_Eval16842.16.pdf Created by Independent Third Party: Yes
16842.17	q. Sashlite Slider XX	Extruded Vinyl "Non-Impact" Horizontal Sliding Window utilizing a Nail Fin Installation (XX, configuration)
	Limits of Use Approved for use in HVHZ: No Approved for use outside HVHZ: Yes Impact Resistant: No Design Pressure: N/A Other: See INST 16842.17 for Design Pressure Ratings, any additional use limitations, installation instructions and product particulars.	Installation Instructions FL16842_R3_II_INST16842.17.pdf Verified By: Lyndon F. Schmidt, P.E. 43409 Created by Independent Third Party: Yes Evaluation Reports FL16842_R3_AE_Eval16842.17.pdf Created by Independent Third Party: Yes
16842.18	r. Sashlite Slider XX	Extruded Vinyl "Non-Impact" Horizontal Sliding Window (XX, configuration)
	Limits of Use Approved for use in HVHZ: No Approved for use outside HVHZ: Yes Impact Resistant: No Design Pressure: N/A Other: See INST 16842.18 for Design Pressure Ratings, any additional use limitations, installation instructions and product particulars.	Installation Instructions FL16842_R3_II_INST16842.18.pdf Verified By: Lyndon F. Schmidt, P.E. 43409 Created by Independent Third Party: Yes Evaluation Reports FL16842_R3_AE_Eval16842.18.pdf Created by Independent Third Party: Yes
16842.19	s. Sashlite - 3 Slider XOX	Extruded Vinyl "Non-Impact" Horizontal Sliding Window utilizing a Nail Fin Installation (XOX, configuration)
	Limits of Use Approved for use in HVHZ: No Approved for use outside HVHZ: Yes Impact Resistant: No Design Pressure: N/A Other: See INST 16842.19 for Design Pressure Ratings, any additional use limitations, installation instructions and product particulars.	Installation Instructions FL16842_R3_II_INST16842.19.pdf Verified By: Lyndon F. Schmidt, P.E. 43409 Created by Independent Third Party: Yes Evaluation Reports FL16842_R3_AE_Eval16842.19.pdf Created by Independent Third Party: Yes
16842.20	t. Sashlite - 3 Slider XOX	Extruded Vinyl "Non-Impact" Horizontal Sliding Window (XOX, configuration)

Limits of Use
Approved for use in HVHZ: No
Approved for use outside HVHZ: Yes
Impact Resistant: No
Design Pressure: N/A
Other: See INST 16842.20 for Design Pressure Ratings, any additional use limitations, installation instructions and product particulars.

Installation Instructions
[FL16842_R3_II_INST_16842.20.pdf](#)
 Verified By: Lyndon F. Schmidt, P.E. 43409
 Created by Independent Third Party: Yes
Evaluation Reports
[FL16842_R3_AE_Eval_16842.20.pdf](#)
 Created by Independent Third Party: Yes

Go to Page

Page 1 / 2

Back Next

Contact Us :: 2601 Blair Stone Road, Tallahassee FL 32399 Phone: 850-487-1824

The State of Florida is an AA/EEO employer. Copyright 2007-2013 State of Florida. :: [Privacy Statement](#) :: [Accessibility Statement](#) :: [Refund Statement](#)

Under Florida law, email addresses are public records. If you do not want your e-mail address released in response to a public-records request, do not send electronic mail to this entity. Instead, contact the office by phone or by traditional mail. If you have any questions, please contact 850.487.1395. *Pursuant to Section 455.275(1), Florida Statutes, effective October 1, 2012, licensees licensed under Chapter 455, F.S. must provide the Department with an email address if they have one. The emails provided may be used for official communication with the licensee. However email addresses are public record. If you do not wish to supply a personal address, please provide the Department with an email address which can be made available to the public. To determine if you are a licensee under Chapter 455, F.S., please click [here](#).

Product Approval Accepts:



Credit Card
Safe





4901 Oak Fair Blvd., Tampa, FL 33610

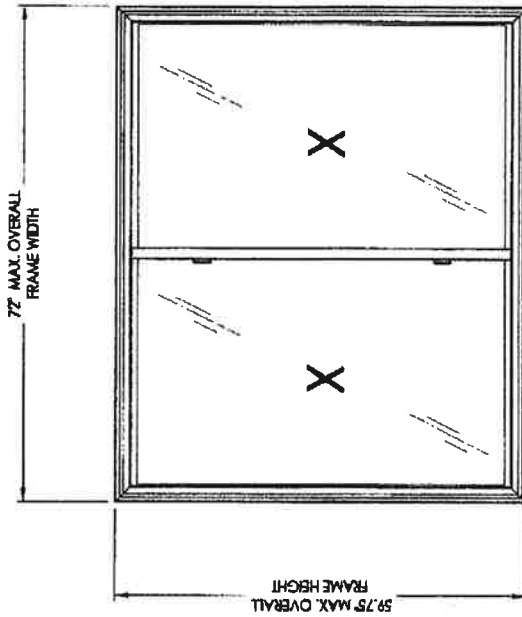
Sashlite Slider XX "NON-IMPACT"

GENERAL NOTES

1. This product anchoring drawing has been evaluated and is in compliance with the 5th Edition (2014) Florida Building Code (FBC) excluding the "High Velocity Hurricane Zone" (HVHZ). See the Certification Agency Certificate for sizes, specifications & ratings.
2. Product anchors shall be as listed and spaced as shown on details. Anchor embedment to base material shall be beyond wall dressing or stucco.
3. When used in areas requiring wind borne debris protection this product is required to be protected with an impact resistant covering that complies with Section 1609.1.2 of the FBC.
4. Site conditions that deviate from the details of this drawing require further engineering analysis by a licensed engineer or registered architect.

TABLE OF CONTENTS

SHEET#	DESCRIPTION
1	Typical elevations, design pressures & general notes
2	Vertical & horizontal cross sections
3	Vertical & horizontal cross sections
4	Buck & frame anchoring
5	Bill of materials, glazing details and components



FRAME DIMENSION	DAY LIGHT DIMENSION	GLASS TYPE	DESIGN PRESSURE (PSF)	
			POS.	NEG.
72.8" x 59.75"	52.25" x 53.625"	G1	+90.0	-30.0

Documents Prepared By: **F. Schmidt**
 P.E. No. 43408
 London F. Schmidt
 BUILDING CONSULTANTS, INC.
 P.O. Box 230, White, FL 33699
 Phone No.: 813.858.8187
 FIFE C.A. No. 8813

PRODUCT: HORIZONTAL SLIDER

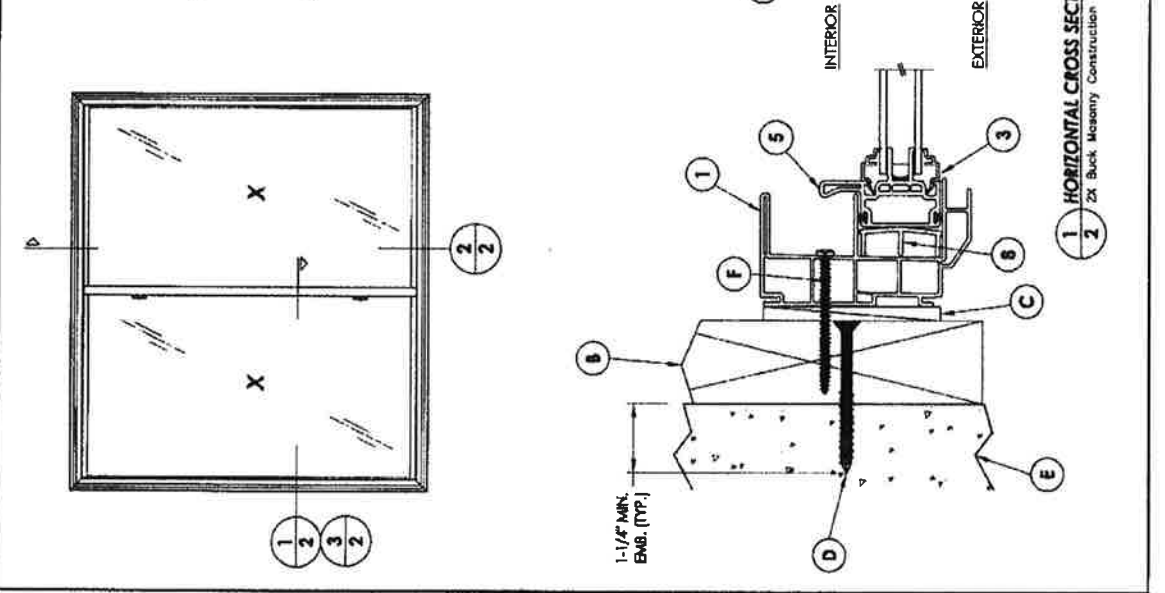
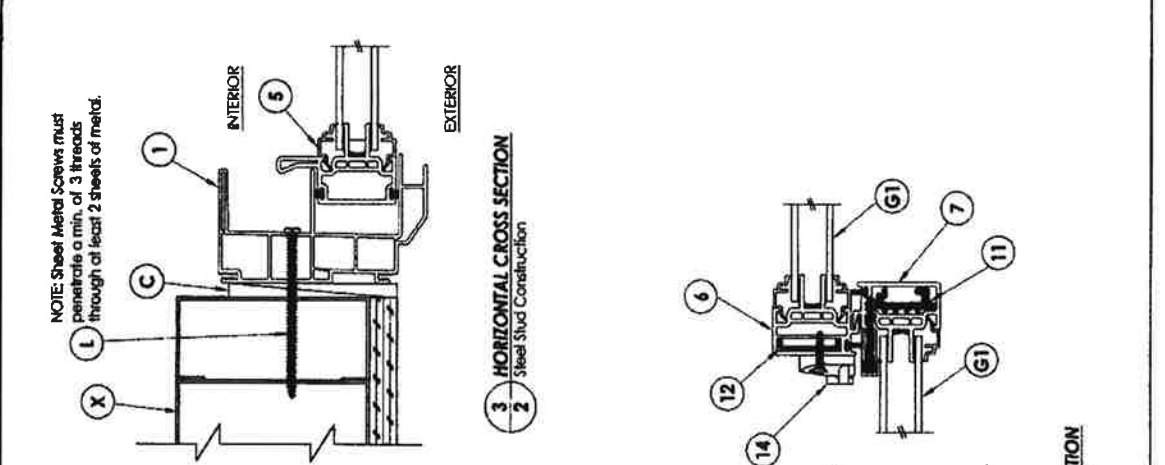
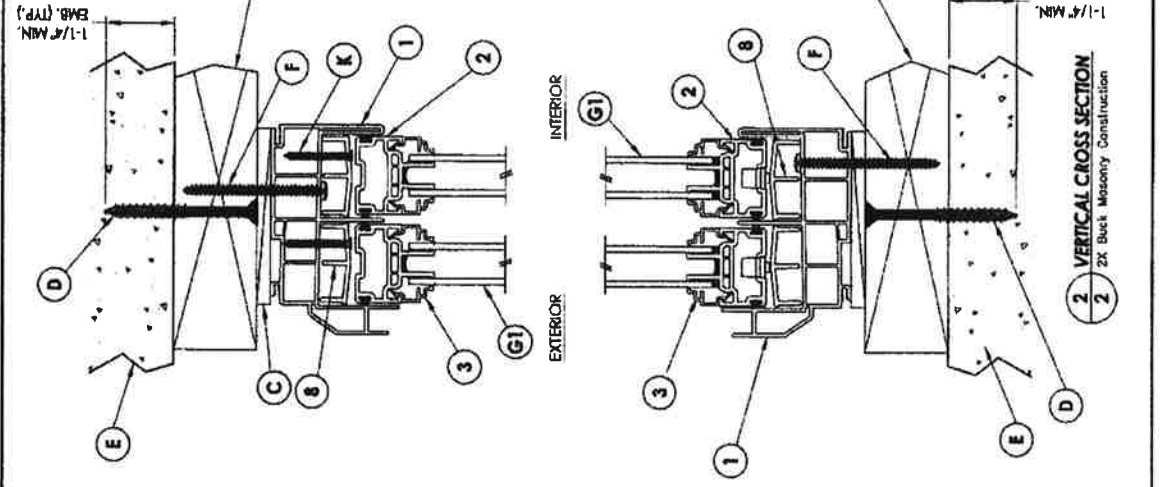
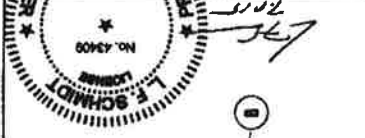
TYPICAL ELEVATION DESIGN PRESSURES & GENERAL NOTES

NO.	DATE	BY
1	6/25/15	LFS
UPDATE TO 5TH ED. (2014) FBC		

REVISIONS

DATE	BY	DESCRIPTION
3/20/12	JJK	N.T.S.
	JJK	SCALE
	LFS	CHK. BY
		DESIGNED BY
		FL-16842.1B
		SHEET 1 OF 5

REVISIONS NO. DATE BY 6/29/15 UPDATE TO 5th ED. (2014) FBC LFS PART OR ASSEMBLY:		PRODUCT: HORIZONTAL SLIDER CROSS SECTIONS VERTICAL & HORIZONTAL	
DATE: 3/20/12 SCALE: N.T.S. DWG. BR: JK CHK. BR: LFS DRAWING NO.: FL-16842.1B SHEET 2 of 5		BUILDING CONSULTANTS, INC. P.O. Box 230, Valrico, FL 33586 Phone No.: 813.888.8187 FBPE C.A. No. 8813 Lynden F. Schmidt P.E. No. 43408 Documents Prepared By:	



REVISIONS	
NO.	DATE
1	6/25/15
UPDATE TO 5TH ED. (2014) FBC	
BY	LFS

DATE:	3/20/12
SCALE:	N.T.S.
DWG. BY:	JK
CHK. BY:	LFS
DRAWING NO.:	FL-16842.1B
SHEET	3 of 5

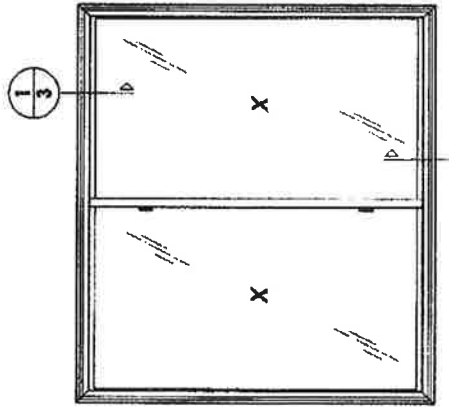
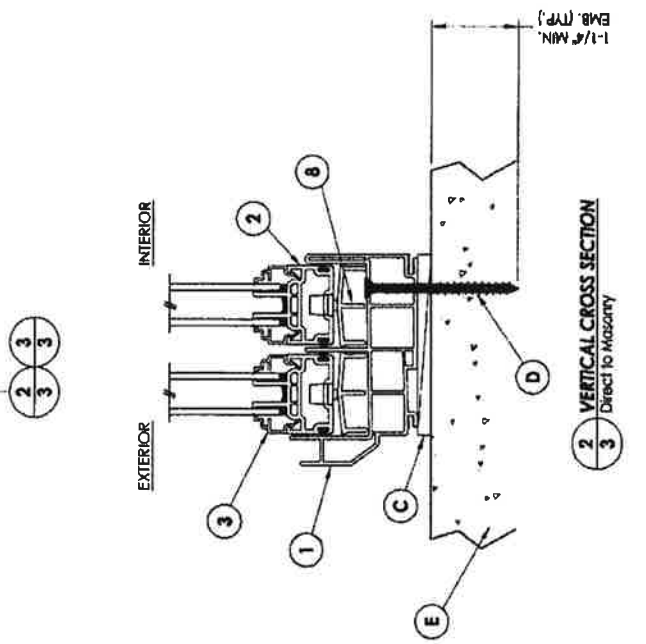
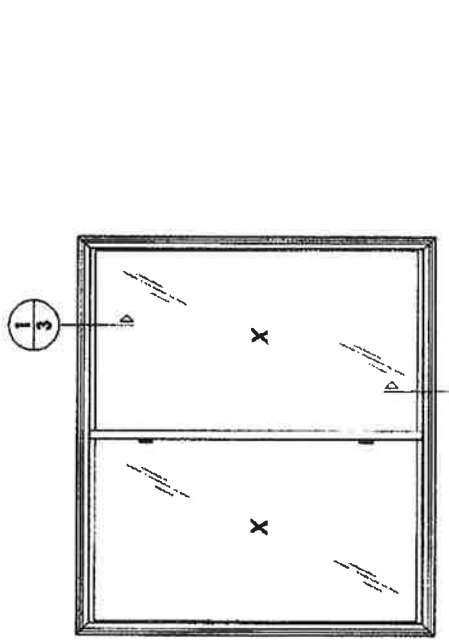
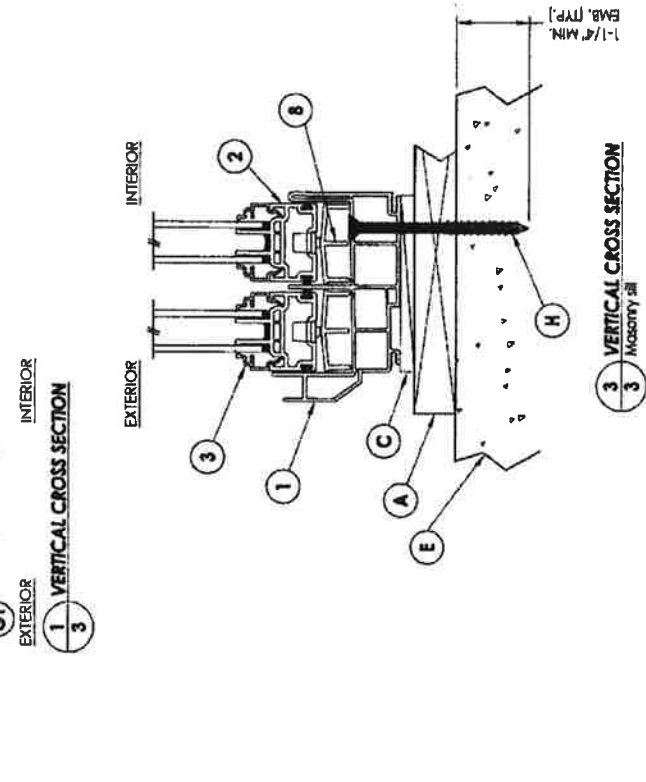
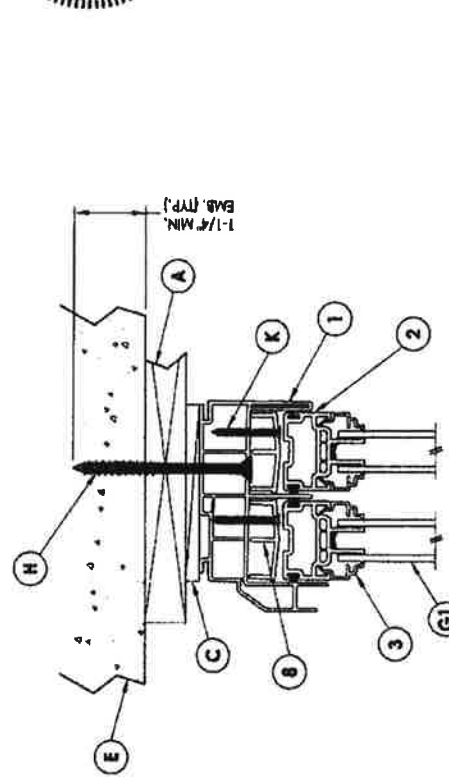
PRODUCT:	HORIZONTAL SLIDER
PART OR ASSEMBLY:	VERTICAL & HORIZONTAL CROSS SECTIONS

Documents Prepared by:
 London F. Schmidt
 P.E. No. 45409

LFS

F. SCHMIDT
 LICENSED PROFESSIONAL ENGINEER
 No. 45409
 FLOOR

BUILDING CONSULTANTS, INC.
 P.O. Box 230, Vero Beach, FL 33589
 Phone No.: 813.658.0187
 FAX No.: 813

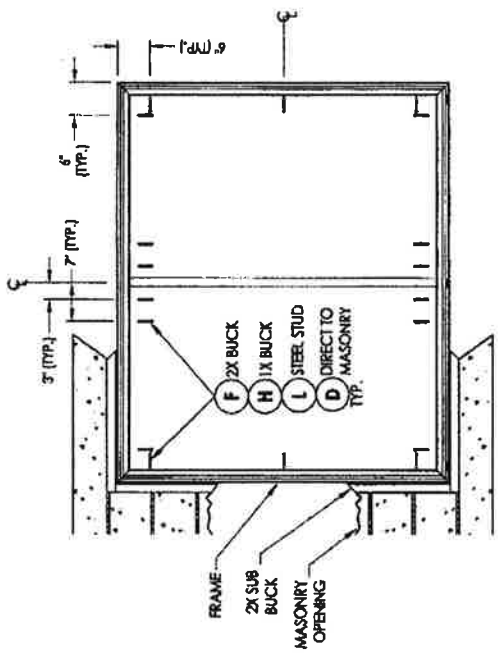


REVISIONS	
NO.	DATE
1	5/25/15
UPDATE TO 5TH ED. (2014) FBC	

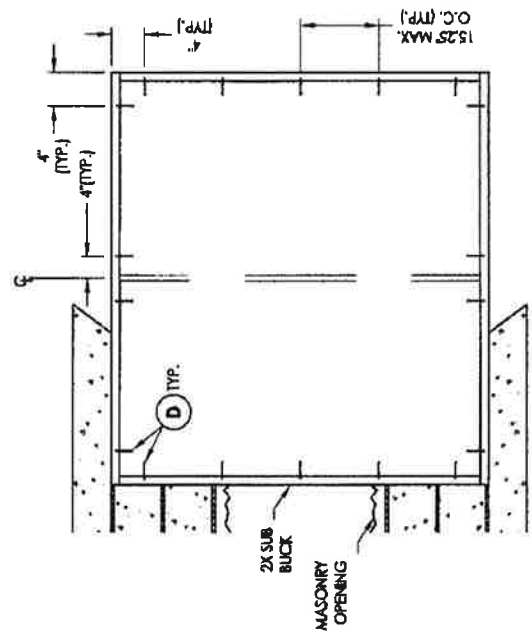
DATE:	3/20/12
SCALE:	N.T.S.
DWG. BY:	JK
CHE. BY:	LFS
DRAWING NO.:	FL-16842.1B
SHEET:	4 OF 5

PRODUCT:	HORIZONTAL SLIDER
PART OR ASSEMBLY:	BUCK & FRAME ANCHORING

Documents Prepared By: Lyndon F. Schmidt
 P.E. No. 43408
 BUILDING CONSULTANTS, INC.
 P.O. Box 230, Vero Beach, FL 33989
 Phone No.: 813.669.9187
 FBPE C.A. No. 9813



FRAME ANCHORING



2X BUCK ANCHORING

- CONCRETE ANCHOR NOTES:**
- Concrete anchor locations of the corners may be adjusted to maintain the min. edge distance to mortar joints.
 - Concrete anchor locations noted as "MAX. ON CENTER" must be adjusted to maintain the min. edge distance to mortar joints. Additional concrete anchors may be required to ensure the "MAX. ON CENTER" dimension are not exceeded.
 - Concrete anchor notes:

ANCHOR TYPE	ANCHOR SIZE	MIN. EMBEDMENT	MIN. CLEARANCE TO MASONRY EDGE	MIN. CLEARANCE TO ADJACENT ANCHOR
ITW TAPCON®	1/4"	1-1/4"	2"	4"
ELCO ULTRACON	1/4"	1-1/4"	1"	4"

- WOOD SCREEN INSTALLATION NOTES:**
- Maintain a minimum 5/8" edge distance, 1" end distance, & 1" o.c. spacing of wood screws to prevent the splitting of wood.

BILL OF MATERIALS

ITEM #	DESCRIPTION	MATERIAL
A	1X BUCK (SG >= 0.42)	WOOD
B	2X BUCK (SG >= 0.42)	WOOD
C	1/4" MAX. SPERM SPACE	
D	1/4" X 2-3/4" PPH ELCO OR ITW CONCRETE SCREW	STEEL
E	MASONRY - 3,000 PSI MIN. CONCRETE CONFORMING TO ACI 301 OR HOLLOW BLOCK CONFORMING TO ASTM C90	CONCRETE
F	#10 X 2-1/2" PPH SMS (1-3/8" MIN. EMBEDMENT)	STEEL
G	1/4" X 2-3/4" HH ELCO OR ITW CONCRETE SCREW	WOOD
H	1/4" X 3-1/4" PPH ELCO OR ITW CONCRETE SCREW	STEEL
K	#6 X 1-1/4" PPH SMS	STEEL
L	#10 PPH SELF-DRILLING SMS	STEEL
X	STEEL STUD Min. Thk. .033" (ASTM A653 GRADE 33 Fy=33 ksi min., Fu=45 ksi min.)	STEEL
1	FRAME *	PVC
2	RAIL *	PVC
3	GLAZING BEAD *	PVC
5	PULL STILE *	PVC
6	KEEPER STILE *	PVC
7	MEETING STILE *	PVC
8	ANTI-LIFT & SILL TRACK *	PVC
10	GLAZING SILICONE (SoshSeal)	ALUM
11	REINFORCEMENT (6065-15)	ALUM
12	REINFORCEMENT (6065-15)	STEEL
14	LOCK ASSEMBLY (IRUTH)	
20	LIQUID APPLIED DESICCANT (SoshDri)	

* THE APPROVED WHITE RIGID PVC EXTERIOR EXTRUSIONS FOR WINDOWS ARE TO BE PRODUCED BY EXTRUDERS LICENSEES IN "AAMA CERTIFICATION PROGRAMS FOR RIGID PVC EXTRUSIONS".

1 FRAME
444F

2 SASH
407

5 PULL STILE
414

7 LOCK STILE
406

8 ANTI-LIFT & SILL TRACK
206

3 GLAZING BEAD
148

11 REINFORCEMENT
254

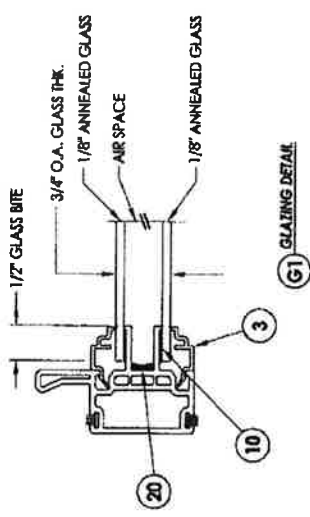
12 REINFORCEMENT
452



Documents Prepared By: Lynden F. Schmidt
P.E. No. 43408
FLORIDA PROFESSIONAL ENGINEER
No. 43408
LICENSED

REVISIONS	
NO.	DATE
1	6/25/15
UPDATE TO STD ED. (2014) FRC	

DATE: 3/20/12
SCALE: N.T.S.
DWG. BY: JK
CHK. BY: LFS
DRAWING NO.: FL-16842.18
SHEET 5 OF 5





BCIS Home | Log In | User Registration | Hot Topics | Submit Surcharge | Stats & Facts | Publications | FBC Staff | BCIS Site Map | Links | Search



Product Approval
USER: Public User

[Product Approval Menu](#) > [Product or Application Search](#) > [Application List](#) > [Application Detail](#)



FL #	FL16842-R3														
Application Type	Revision														
Code Version	2014														
Application Status	Approved														
Comments															
Archived															
Product Manufacturer	NewSouth Window Solutions														
Address/Phone/Email	4901 oak fair blvd tampa, FL 33610 (513) 284-0129 danochstein@newsouthwindow.com														
Authorized Signature	Vivian Wright rickw@rwbldgconsultants.com														
Technical Representative															
Address/Phone/Email															
Quality Assurance Representative															
Address/Phone/Email															
Category	Windows														
Subcategory	Horizontal Slider														
Compliance Method	Evaluation Report from a Florida Registered Architect or a Licensed Florida Professional Engineer - Evaluation Report - Hardcopy Received														
Florida Engineer or Architect Name who developed the Evaluation Report	Lyndon F. Schmidt, P.E.														
Florida License	PE-43409														
Quality Assurance Entity	National Accreditation and Management Institute														
Quality Assurance Contract Expiration Date	12/31/2017														
Validated By	Ryan J. King, P.E. ✓ Validation Checklist - Hardcopy Received														
Certificate of Independence	FL16842_R3_COI_CERTIFICATE OF INDEPENDENCE cc.pdf														
Referenced Standard and Year (of Standard)	<table border="0"> <thead> <tr> <th>Standard</th> <th>Year</th> </tr> </thead> <tbody> <tr> <td>AAMA/WDMA/CSA101/I.S.2/A440</td> <td>2008</td> </tr> <tr> <td>AAMA/WDMA/CSA101/I.S.2/A440</td> <td>2005</td> </tr> <tr> <td>ASTM E1886</td> <td>2005</td> </tr> <tr> <td>ASTM E1996</td> <td>2006</td> </tr> <tr> <td>ASTM E1996</td> <td>2005</td> </tr> <tr> <td>TAS 201, 202, 203</td> <td>1994</td> </tr> </tbody> </table>	Standard	Year	AAMA/WDMA/CSA101/I.S.2/A440	2008	AAMA/WDMA/CSA101/I.S.2/A440	2005	ASTM E1886	2005	ASTM E1996	2006	ASTM E1996	2005	TAS 201, 202, 203	1994
Standard	Year														
AAMA/WDMA/CSA101/I.S.2/A440	2008														
AAMA/WDMA/CSA101/I.S.2/A440	2005														
ASTM E1886	2005														
ASTM E1996	2006														
ASTM E1996	2005														
TAS 201, 202, 203	1994														
Equivalence of Product Standards Certified By															
Sections from the Code															

16842-20

Product Approval Method

Method 1 Option D

Date Submitted 12/20/2015
 Date Validated 01/14/2016
 Date Pending FBC Approval 01/18/2016
 Date Approved 04/12/2016
 Date Revised 04/11/2017

Summary of Products

Go to Page

Page 1 / 2

FL #	Model, Number or Name	Description
16842.1	a. 9500 Slider XO	Extruded Vinyl "Non-Impact" Horizontal Sliding Window utilizing a Nail Fin Installation (XO or OX configurations)
Limits of Use Approved for use in HVHZ: No Approved for use outside HVHZ: Yes Impact Resistant: No Design Pressure: N/A Other: See INST 16842.1 for Design Pressure Ratings, any additional use limitations, installation instructions and product particulars.		Installation Instructions FL16842_R3_II_Inst_16842.1.pdf Verified By: Lyndon F. Schmidt, P.E. 43409 Created by Independent Third Party: Yes Evaluation Reports FL16842_R3_AE_Eval_16842.1.pdf Created by Independent Third Party: Yes
16842.2	b. 9500 Slider XO	Extruded Vinyl "Non-Impact" Horizontal Sliding Window with Flange Installation (XO or OX configurations)
Limits of Use Approved for use in HVHZ: No Approved for use outside HVHZ: Yes Impact Resistant: No Design Pressure: N/A Other: See INST 16842.2 for Design Pressure Ratings, any additional use limitations, installation instructions and product particulars.		Installation Instructions FL16842_R3_II_INST_16842.2.pdf Verified By: Lyndon F. Schmidt, P.E. 43409 Created by Independent Third Party: Yes Evaluation Reports FL16842_R3_AE_Eval_16842.2.pdf Created by Independent Third Party: Yes
16842.3	c. 9550 Slider XO - Impact Rated	Extruded Vinyl "Impact" Horizontal Sliding Window utilizing a Nail Fin Installation (XO or OX configurations)
Limits of Use Approved for use in HVHZ: No Approved for use outside HVHZ: Yes Impact Resistant: Yes Design Pressure: N/A Other: See INST 16842.3 for Design Pressure Ratings, any additional use limitations, installation instructions and product particulars.		Installation Instructions FL16842_R3_II_Inst_16842.3.pdf Verified By: Lyndon F. Schmidt, P.E. 43409 Created by Independent Third Party: Yes Evaluation Reports FL16842_R3_AE_Eval_16842.3.pdf Created by Independent Third Party: Yes
16842.4	d. 9550 Slider XO - Impact Rated	Extruded Vinyl "Impact" Horizontal Sliding Window with Flange Installation (XO or OX configurations)
Limits of Use Approved for use in HVHZ: No Approved for use outside HVHZ: Yes Impact Resistant: Yes Design Pressure: N/A Other: See INST 16842.4 for Design Pressure Ratings, any additional use limitations, installation instructions and product particulars.		Installation Instructions FL16842_R3_II_Inst_16842.4.pdf Verified By: Lyndon F. Schmidt, P.E. 43409 Created by Independent Third Party: Yes Evaluation Reports FL16842_R3_AE_Eval_16842.4.pdf Created by Independent Third Party: Yes
16842.5	e. 9550 Slider XO - Impact Rated - HVHZ	Extruded Vinyl "Impact" Horizontal Sliding Window utilizing a Nail Fin Installation (XO or OX configurations)
Limits of Use Approved for use in HVHZ: Yes Approved for use outside HVHZ: Yes Impact Resistant: Yes Design Pressure: N/A Other: See INST 16842.5 for Design Pressure Ratings, any additional use limitations, installation instructions and product particulars.		Installation Instructions FL16842_R3_II_Inst_16842.5.pdf Verified By: Lyndon F. Schmidt, P.E. 43409 Created by Independent Third Party: Yes Evaluation Reports FL16842_R3_AE_Eval_16842.5.pdf Created by Independent Third Party: Yes
16842.6	f. 9550 Slider XO - Impact Rated - HVHZ	Extruded Vinyl "Impact" Horizontal Sliding Window with Flange Installation (XO or OX configurations)

Limits of Use Approved for use in HVHZ: Yes Approved for use outside HVHZ: Yes Impact Resistant: Yes Design Pressure: N/A Other: See INST 16842.6 for Design Pressure Ratings, any additional use limitations, installation instructions and product particulars.		Installation Instructions FL16842_R3_II_Inst_16842.6.pdf Verified By: Lyndon F. Schmidt, P.E. 43409 Created by Independent Third Party: Yes Evaluation Reports FL16842_R3_AE_Eval_16842.6.pdf Created by Independent Third Party: Yes
16842.7	g. 9500-3 Slider XOX	Extruded Vinyl "Non-Impact" Horizontal Sliding Window utilizing a Nail Fin Installation (XOX, configuration)
Limits of Use Approved for use in HVHZ: No Approved for use outside HVHZ: Yes Impact Resistant: No Design Pressure: N/A Other: See INST 16842.7 for Design Pressure Ratings, any additional use limitations, installation instructions and product particulars.		Installation Instructions FL16842_R3_II_Inst_16842.7.pdf Verified By: Lyndon F. Schmidt, P.E. 43409 Created by Independent Third Party: Yes Evaluation Reports FL16842_R3_AE_Eval_16842.7.pdf Created by Independent Third Party: Yes
16842.8	h. 9500-3 Slider XOX	Extruded Vinyl "Non-Impact" Horizontal Sliding Window with Flange Installation (XOX, configuration)
Limits of Use Approved for use in HVHZ: No Approved for use outside HVHZ: Yes Impact Resistant: No Design Pressure: N/A Other: See INST 16842.8 for Design Pressure Ratings, any additional use limitations, installation instructions and product particulars.		Installation Instructions FL16842_R3_II_Inst_16842.8.pdf Verified By: Lyndon F. Schmidt, P.E. 43409 Created by Independent Third Party: Yes Evaluation Reports FL16842_R3_AE_Eval_16842.8.pdf Created by Independent Third Party: Yes
16842.9	i. 9550-3 Slider XOX - Impact Rated	Extruded Vinyl "Impact" Horizontal Sliding Window utilizing a Nail Fin Installation (XOX, configuration)
Limits of Use Approved for use in HVHZ: No Approved for use outside HVHZ: Yes Impact Resistant: Yes Design Pressure: N/A Other: See INST 16842.9 for Design Pressure Ratings, any additional use limitations, installation instructions and product particulars.		Installation Instructions FL16842_R3_II_Inst_16842.9.pdf Verified By: Lyndon F. Schmidt, P.E. 43409 Created by Independent Third Party: Yes Evaluation Reports FL16842_R3_AE_Eval_16842.9.pdf Created by Independent Third Party: Yes
16842.10	j. 9550-3 Slider XOX - Impact Rated	Extruded Vinyl "Impact" Horizontal Sliding Window with Flange Installation (XOX, configuration)
Limits of Use Approved for use in HVHZ: No Approved for use outside HVHZ: Yes Impact Resistant: Yes Design Pressure: N/A Other: See INST 16842.10 for Design Pressure Ratings, any additional use limitations, installation instructions and product particulars.		Installation Instructions FL16842_R3_II_Inst_16842.10.pdf Verified By: Lyndon F. Schmidt, P.E. 43409 Created by Independent Third Party: Yes Evaluation Reports FL16842_R3_AE_Eval_16842.10.pdf Created by Independent Third Party: Yes
16842.11	k. 9550-3 Slider XOX - Impact Rated - HVHZ	Extruded Vinyl "Impact" Horizontal Sliding Window utilizing a Nail Fin Installation (XOX, configuration)
Limits of Use Approved for use in HVHZ: Yes Approved for use outside HVHZ: Yes Impact Resistant: Yes Design Pressure: N/A Other: See INST 16842.11 for Design Pressure Ratings, any additional use limitations, installation instructions and product particulars.		Installation Instructions FL16842_R3_II_Inst_16842.11.pdf Verified By: Lyndon F. Schmidt, P.E. 43409 Created by Independent Third Party: Yes Evaluation Reports FL16842_R3_AE_Eval_16842.11.pdf Created by Independent Third Party: Yes
16842.12	l. 9550-3 Slider XOX - Impact Rated - HVHZ	Extruded Vinyl "Impact" Horizontal Sliding Window with Flange Installation (XOX, configuration)
Limits of Use Approved for use in HVHZ: Yes Approved for use outside HVHZ: Yes Impact Resistant: Yes Design Pressure: N/A Other: See INST 16842.12 for Design Pressure Ratings, any additional use limitations, installation instructions and product particulars.		Installation Instructions FL16842_R3_II_Inst_16842.12.pdf Verified By: Lyndon F. Schmidt, P.E. 43409 Created by Independent Third Party: Yes Evaluation Reports FL16842_R3_AE_Eval_16842.12.pdf Created by Independent Third Party: Yes
16842.13	m. DuraGard Slider XX	Extruded Vinyl "Non-Impact" Horizontal Sliding Window utilizing a Nail Fin Installation (XX, configuration)

<p>Limits of Use Approved for use in HVHZ: No Approved for use outside HVHZ: Yes Impact Resistant: No Design Pressure: N/A Other: See INST 16842.13 for Design Pressure Ratings, any additional use limitations, installation instructions and product particulars.</p>		<p>Installation Instructions FL16842_R3_II_INST16842.13.pdf Verified By: Lyndon F. Schmidt, P.E. 43409 Created by Independent Third Party: Yes Evaluation Reports FL16842_R3_AE_Eval_16842.13.pdf Created by Independent Third Party: Yes</p>
<p>16842.14</p>	<p>n. DuraGard Slider XX</p>	<p>Extruded Vinyl "Non-Impact" Horizontal Sliding Window (XX, configuration)</p>
<p>Limits of Use Approved for use in HVHZ: No Approved for use outside HVHZ: Yes Impact Resistant: No Design Pressure: N/A Other: See INST 16842.14 for Design Pressure Ratings, any additional use limitations, installation instructions and product particulars.</p>		<p>Installation Instructions FL16842_R3_II_INST16842.14.pdf Verified By: Lyndon F. Schmidt, P.E. 43409 Created by Independent Third Party: Yes Evaluation Reports FL16842_R3_AE_Eval_16842.14.pdf Created by Independent Third Party: Yes</p>
<p>16842.15</p>	<p>o. DuraGard - 3 Slider XOX</p>	<p>Extruded Vinyl "Non-Impact" Horizontal Sliding Window utilizing a Nail Fin Installation (XOX, configuration)</p>
<p>Limits of Use Approved for use in HVHZ: No Approved for use outside HVHZ: Yes Impact Resistant: No Design Pressure: N/A Other: See INST 16842.15 for Design Pressure Ratings, any additional use limitations, installation instructions and product particulars.</p>		<p>Installation Instructions FL16842_R3_II_INST16842.15.pdf Verified By: Lyndon F. Schmidt, P.E. 43409 Created by Independent Third Party: Yes Evaluation Reports FL16842_R3_AE_Eval_16842.15.pdf Created by Independent Third Party: Yes</p>
<p>16842.16</p>	<p>p. DuraGard - 3 Slider XOX</p>	<p>Extruded Vinyl "Non-Impact" Horizontal Sliding Window with Flange Installation (XOX, configuration)</p>
<p>Limits of Use Approved for use in HVHZ: No Approved for use outside HVHZ: Yes Impact Resistant: No Design Pressure: N/A Other: See INST 16842.16 for Design Pressure Ratings, any additional use limitations, installation instructions and product particulars.</p>		<p>Installation Instructions FL16842_R3_II_INST16842.16.pdf Verified By: Lyndon F. Schmidt, P.E. 43409 Created by Independent Third Party: Yes Evaluation Reports FL16842_R3_AE_Eval_16842.16.pdf Created by Independent Third Party: Yes</p>
<p>16842.17</p>	<p>q. Sashlite Slider XX</p>	<p>Extruded Vinyl "Non-Impact" Horizontal Sliding Window utilizing a Nail Fin Installation (XX, configuration)</p>
<p>Limits of Use Approved for use in HVHZ: No Approved for use outside HVHZ: Yes Impact Resistant: No Design Pressure: N/A Other: See INST 16842.17 for Design Pressure Ratings, any additional use limitations, installation instructions and product particulars.</p>		<p>Installation Instructions FL16842_R3_II_INST16842.17.pdf Verified By: Lyndon F. Schmidt, P.E. 43409 Created by Independent Third Party: Yes Evaluation Reports FL16842_R3_AE_Eval_16842.17.pdf Created by Independent Third Party: Yes</p>
<p>16842.18</p>	<p>r. Sashlite Slider XX</p>	<p>Extruded Vinyl "Non-Impact" Horizontal Sliding Window (XX, configuration)</p>
<p>Limits of Use Approved for use in HVHZ: No Approved for use outside HVHZ: Yes Impact Resistant: No Design Pressure: N/A Other: See INST 16842.18 for Design Pressure Ratings, any additional use limitations, installation instructions and product particulars.</p>		<p>Installation Instructions FL16842_R3_II_INST16842.18.pdf Verified By: Lyndon F. Schmidt, P.E. 43409 Created by Independent Third Party: Yes Evaluation Reports FL16842_R3_AE_Eval_16842.18.pdf Created by Independent Third Party: Yes</p>
<p>16842.19</p>	<p>s. Sashlite - 3 Slider XOX</p>	<p>Extruded Vinyl "Non-Impact" Horizontal Sliding Window utilizing a Nail Fin Installation (XOX, configuration)</p>
<p>Limits of Use Approved for use in HVHZ: No Approved for use outside HVHZ: Yes Impact Resistant: No Design Pressure: N/A Other: See INST 16842.19 for Design Pressure Ratings, any additional use limitations, installation instructions and product particulars.</p>		<p>Installation Instructions FL16842_R3_II_INST16842.19.pdf Verified By: Lyndon F. Schmidt, P.E. 43409 Created by Independent Third Party: Yes Evaluation Reports FL16842_R3_AE_Eval_16842.19.pdf Created by Independent Third Party: Yes</p>
<p>16842.20</p>	<p>t. Sashlite - 3 Slider XOX</p>	<p>Extruded Vinyl "Non-Impact" Horizontal Sliding Window (XOX, configuration)</p>

<p>Limits of Use Approved for use in HVHZ: No Approved for use outside HVHZ: Yes Impact Resistant: No Design Pressure: N/A Other: See INST 16842.20 for Design Pressure Ratings, any additional use limitations, installation instructions and product particulars.</p>	<p>Installation Instructions FL16842_R3_I1_INST_16842.20.pdf Verified By: Lyndon F. Schmidt, P.E. 43409 Created by Independent Third Party: Yes Evaluation Reports FL16842_R3_AE_Eval_16842.20.pdf Created by Independent Third Party: Yes</p>
--	--

Go to Page

First Next

Contact Us :: 2601 Blair Stone Road, Tallahassee FL 32399 Phone: 850-487-1824

The State of Florida is an AA/EEO employer. Copyright 2007-2013 State of Florida. :: Privacy Statement :: Accessibility Statement :: Refund Statement

Under Florida law, email addresses are public records. If you do not want your e-mail address released in response to a public-records request, do not send electronic mail to this entity. Instead, contact the office by phone or by traditional mail. If you have any questions, please contact 850.487.1395. *Pursuant to Section 455.275(1), Florida Statutes, effective October 1, 2012, licensees licensed under Chapter 455, F.S. must provide the Department with an email address if they have one. The emails provided may be used for official communication with the licensee. However email addresses are public record. If you do not wish to supply a personal address, please provide the Department with an email address which can be made available to the public. To determine if you are a licensee under Chapter 455, F.S., please click [here](#).



Credit Card Safe





4901 Oak Fair Blvd., Tampa, FL 33610

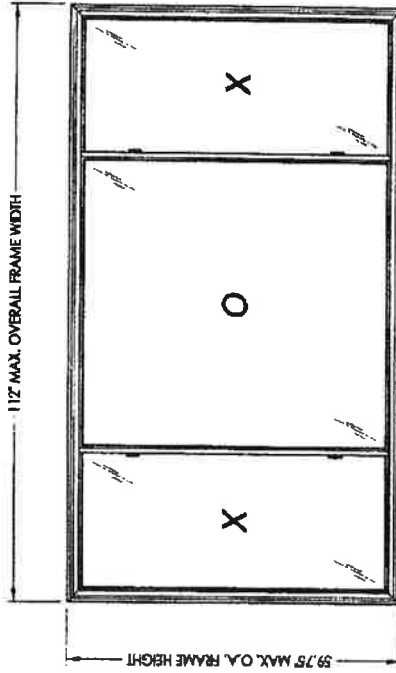
Sashlite - 3 Slider XOx "NON-IMPACT"

GENERAL NOTES

1. This product anchoring drawing has been evaluated and is in compliance with the 5th Edition (2014) Florida Building Code (FBC) excluding the "High Velocity Hurricane Zone" (HVHZ). See the Certification Agency Certificate for sizes, specifications & ratings.
2. Product anchors shall be as listed and spaced as shown on details. Anchor embedment to base material shall be beyond wall dressing or stucco.
3. When used in areas requiring wind borne debris protection this product is required to be protected with an impact resistant covering that complies with Section 1609.1.2 of the FBC.
4. Site conditions that deviate from the details of this drawing require further engineering analysis by a licensed engineer or registered architect.

TABLE OF CONTENTS

SHEET#	DESCRIPTION
1	Typical elevations, design pressures & general notes
2	Vertical & horizontal cross sections
3	Back & frame anchoring
4	Components
5	Bill of materials and glazing details



MAX. OVERALL FRAME DIMENSION	MAX. DAY LIFE DIMENSION (OPERABLE)	MAX. DAY LIFE DIMENSION (FIXED)	GLASS TYPE	DESIGN PRESSURE (PSF)	
				POS.	NEG.
112.0" X 59.75"	25.8" X 53.5"	52.0" X 53.5"	G1	+25.0	-30.0

Documents Prepared By: Lynden F. Schardt
P.E. No. 43408

Building Consultants, Inc.
P.O. Box 230, Valrico, FL 33693
Phone No.: 813.858.9197
FPE O.A. No. 8013

REVISIONS

NO.	DATE	DESCRIPTION
1	6/25/15	UPDATE TO 5TH ED. (2014) FBC

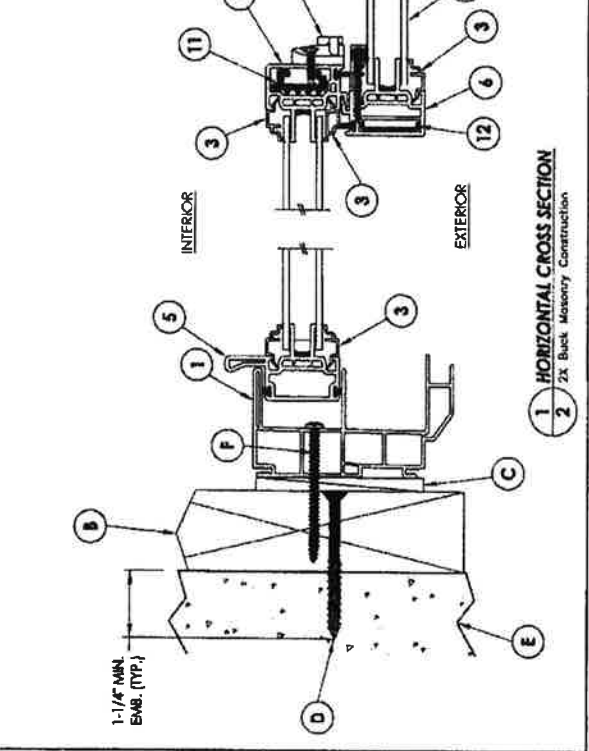
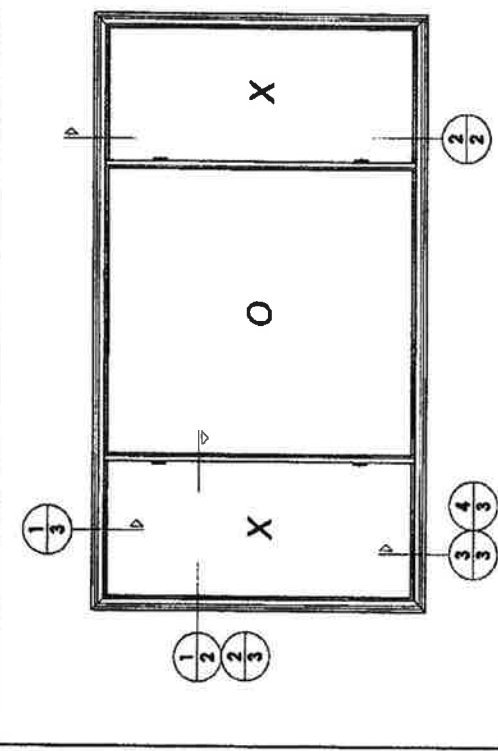
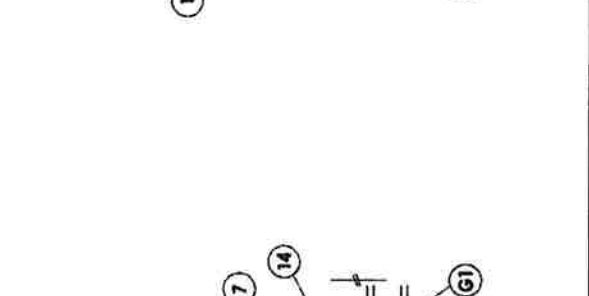
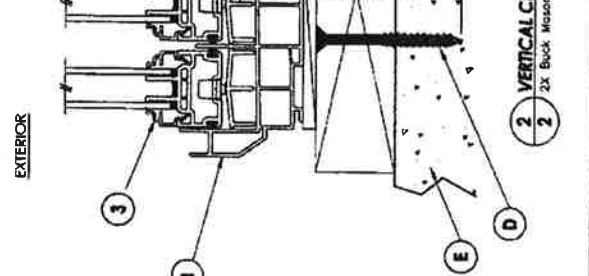
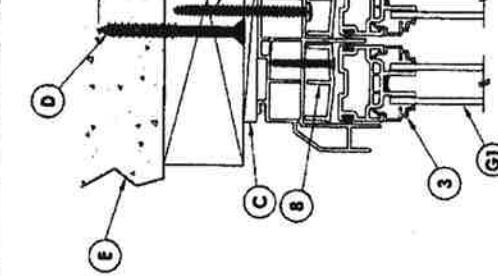
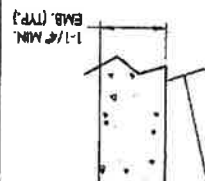
PART OR ASSEMBLY: TYPICAL ELEVATION, DESIGN PRESSURES & GENERAL NOTES

PRODUCT: NewSouth

3014 R.W. BUILDING CONSULTANTS INC.
FL-1684220
SHEET 1 of 5

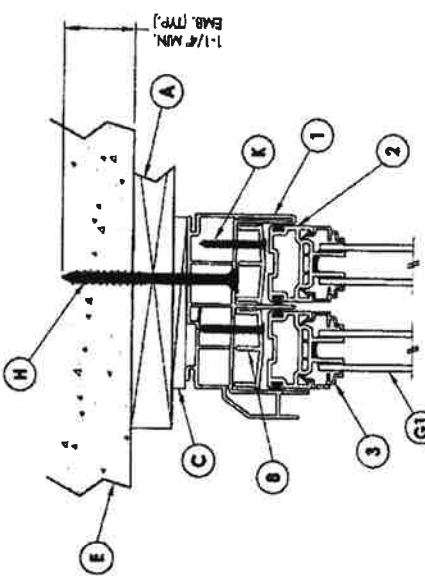
REVISIONS NO. DATE BY 1 6/25/15 UPDATE TO 5TH ED. (2014) FBC LFS	
PRODUCT: HORIZONTAL SLIDER PART OR ASSEMBLY: VERTICAL & HORIZONTAL CROSS SECTIONS	
DATE: 4/17/12 SCALE: N.T.S. DWG. BY: JK CHK. BY: LFS DRAWING NO.: FL-16842.20 SHEET 2 of 5	

Documents Prepared By: Lyndon F. Schmidt
 P.E. No. 43409
 BUILDING CONSULTANTS, INC.
 P.O. Box 230, Vero Beach, FL 33568
 Phone No.: 813.609.0187
 FBPE C.A. No. 9813

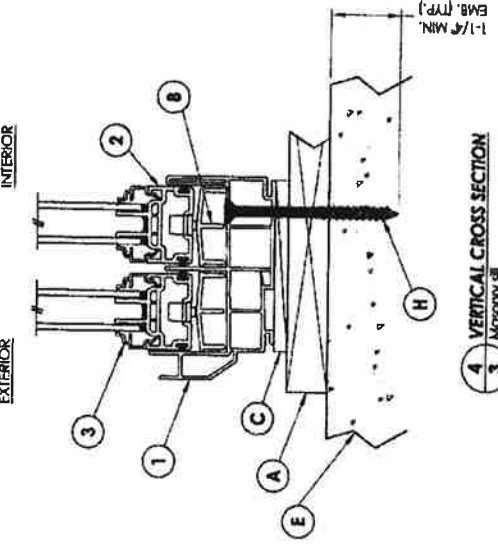


REVISIONS	
NO.	DATE
1	6/25/15
UPDATE TO 5TH ED. (2014) RBC	
BY	LFS
DATE	4/17/12
SCALE	N.T.S.
DRG. BY	JK
CHK. BY	LFS
DRAWING NO.	FL-16842.20
SHEET	3 OF 3

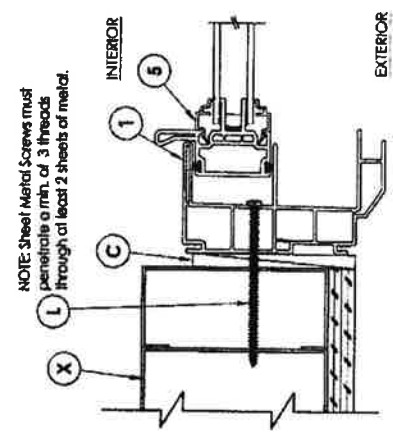
PRODUCT: HORIZONTAL SLIDER
 PART OR ASSEMBLY: VERTICAL & HORIZONTAL CROSS SECTIONS
 BUILDING CONSULTANTS, INC.
 P.O. Box 250, Vero Beach, FL 32988
 Phone No.: 813.859.8197
 FBPE CA. No. 9813
 Lynden F. Schardt
 P.E. No. 43408
 Documents Prepared by:



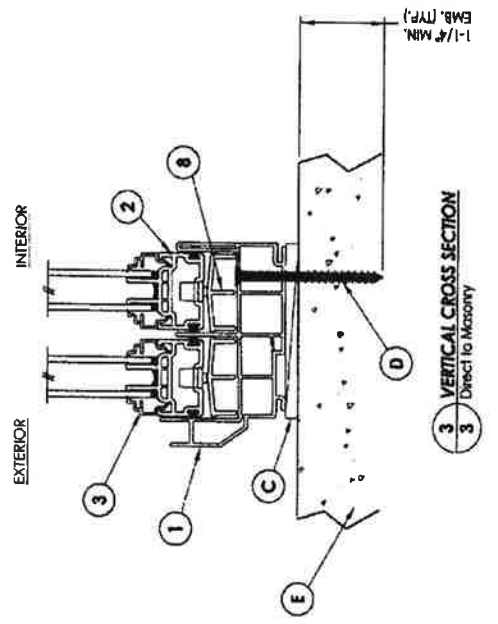
1 VERTICAL CROSS SECTION
 3 IX Buck Masonry Construction



4 VERTICAL CROSS SECTION
 3 Masonry/di



2 HORIZONTAL CROSS SECTION
 3 Steel Stud Construction



3 VERTICAL CROSS SECTION
 3 Direct to Masonry



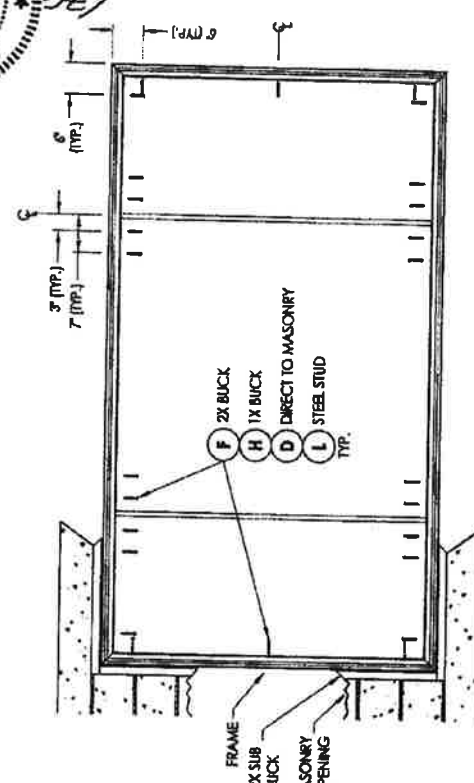
Documents Prepared by:
 Lyndon F. Schmidt
 P.E. No. 43409

BUILDING CONSULTANTS, INC.
 P.O. Box 230, Vero Beach, FL 33595
 Phone No.: 813.658.9187
 FBPE CA. No. 9813

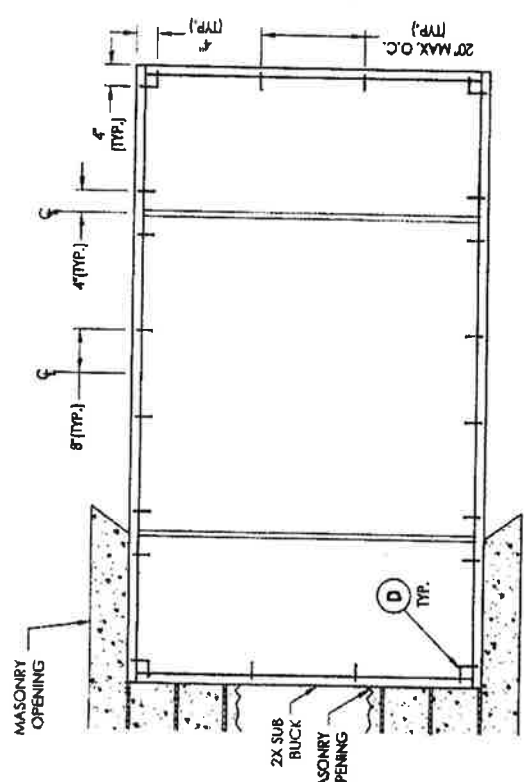
PRODUCT: NewSouth
 PART OR ASSEMBLY: BUCK & FRAME ANCHORING

REVISIONS	
NO.	DATE
1	6/25/15
	UPDATE TO 5TH ED. (2014) FBC

DATE: 4/17/12
 SCALE: N.T.S.
 DWG. BY: JK
 CHK. BY: LFS
 DRAWING NO.: FL-16842.20
 SHEET 4 OF 5



FRAME ANCHORING



BUCK ANCHORING

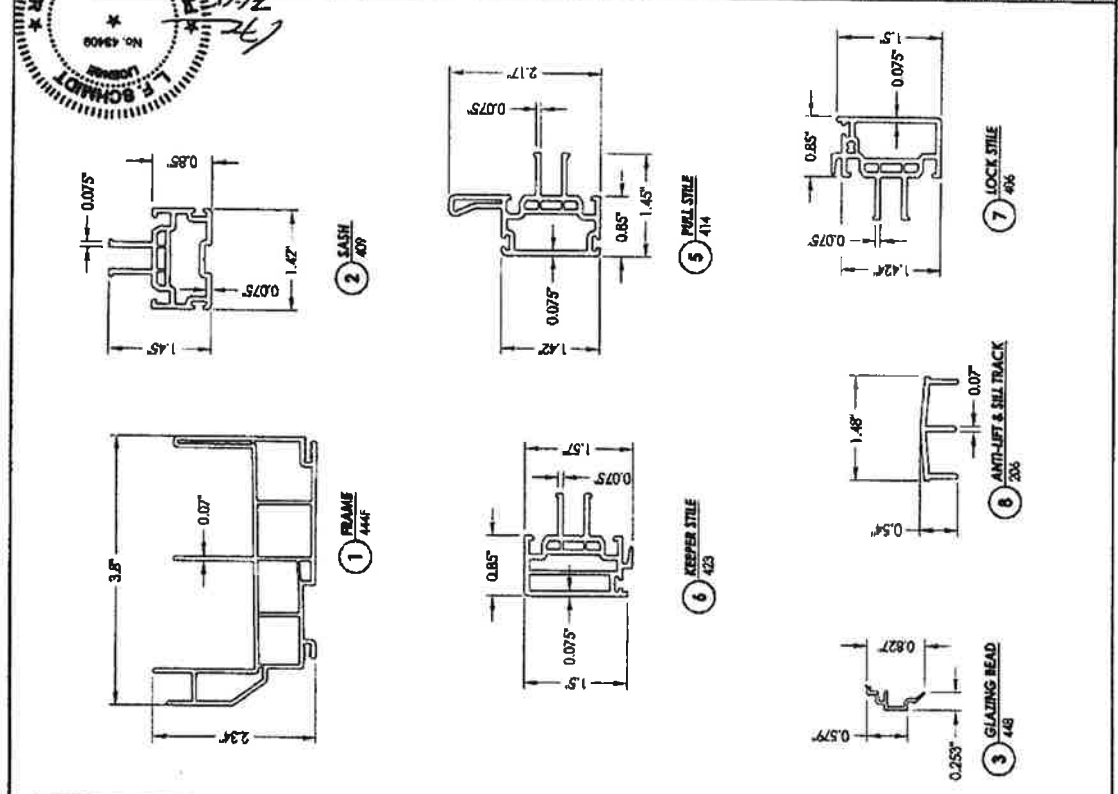
CONCRETE ANCHOR NOTES:

- Concrete anchor locations at the corners may be adjusted to maintain the min. clearance to masonry joints.
- Concrete anchors not noted as "MAX. ON CENTER" must be adjusted to maintain the min. edge distance. For further details, additional concrete anchor may be required to ensure the "MAX. ON CENTER" dimension are not exceeded.
- Concrete anchor table:

ANCHOR TYPE	ANCHOR SIZE	MIN. EMBEDMENT	MIN. CLEARANCE TO MASONRY EDGE	MIN. CLEARANCE TO ADJACENT ANCHOR
TAPCON®	1/4"	1-1/4"	2"	6"
ELCO	1/4"	1-1/4"	1"	6"
ULTRACON®	1/4"	1-1/4"	1"	6"

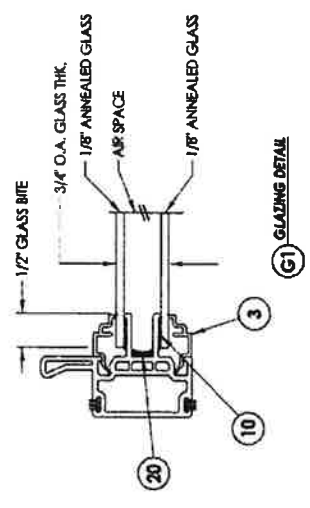
WOOD SCREEN INSTALLATION NOTES:

- Maintain a minimum 5/16" edge distance, 1" end distance, & 1" o.c. spacing of wood screws to prevent the splitting of wood.



ITEM #	DESCRIPTION	MATERIAL
A	1X BLOCK (SG >= 0.42)	WOOD
B	2X BLOCK (SG >= 0.42)	WOOD
C	1/4" MAX. SHIM SPACE	
D	1/4" X 2-3/4" PPH ELCO OR ITW CONCRETE SCREW	STEEL
E	MASONRY - 3000 PSI MIN. CONCRETE CONFORMING TO ACI 301 OR HOLLOW BLOCK CONFORMING TO ASTM C90	CONCRETE
F	#10 X 2-1/2" PPH SMS (1-3/8" MIN. EMBEDMENT)	STEEL
H	1/4" X 3-1/4" PPH ELCO OR ITW CONCRETE SCREW	STEEL
K	#6 X 1-1/4" PPH SMS	STEEL
L	#10 PPH SELF-DRILLING SMS	STEEL
X	STEEL STUD MIN. THK .063" (ASTM A653 GRADE 33 Fy=33 ksi min., Fu=45 ksi min.)	STEEL
1	FRAME*	PVC
2	RAIL*	PVC
3	GLAZING BEAD*	PVC
4	GLASS SETTING BLOCK (1/8" X 1" X 1/8")	PVC
5	PULL STYLE*	PVC
6	KEEPER STYLE*	PVC
7	MEETING STYLE*	PVC
8	ANTI-LIFT & SILL TRACK*	PVC
10	GLAZING SILICONE (Sash-Seal)	ALUMA
11	REINFORCEMENT (6065-15)	ALUMA
12	REINFORCEMENT (6065-15)	ALUMA
14	LOCK ASSEMBLY (TRUTH)	STEEL
20	LIQUID APPLIED DESICCANT (SASH-DRI)	

* THE APPROVED WHITE RIGID PVC EXTERIOR EXTRUSIONS FOR WINDOWS ARE TO BE PRODUCED BY EXTRUDERS LICENSEES IN "AAMA CERTIFICATION PROGRAMS FOR RIGID PVC EXTRUSIONS".





**STATE OF FLORIDA
DEPARTMENT OF BUSINESS AND PROFESSIONAL REGULATION**

**CONSTRUCTION INDUSTRY LICENSING BOARD
2601 BLAIR STONE ROAD
TALLAHASSEE FL 32399-0783**

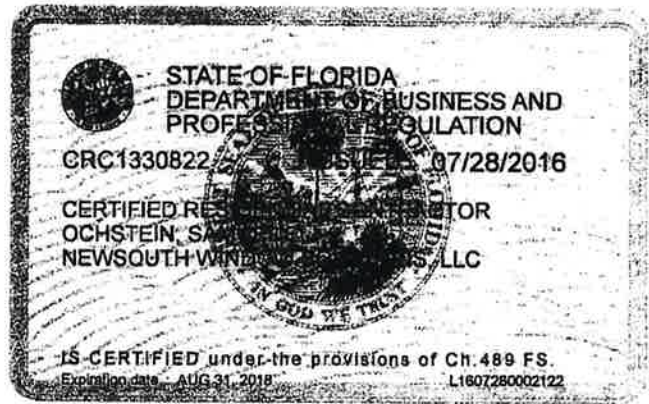
(850) 487-1395

**OCHSTEIN, SAMUEL ELI
NEWSOUTH WINDOW SOLUTIONS, LLC
4901 OAK FAIR BOULEVARD
TAMPA FL 33610**

Congratulations! With this license you become one of the nearly one-million Floridians licensed by the Department of Business and Professional Regulation. Our professionals and businesses range from architects to yacht brokers, from boxers to barbeque restaurants, and they keep Florida's economy strong.

Every day we work to improve the way we do business in order to serve you better. For information about our services, please log onto www.myfloridalicense.com. There you can find more information about our divisions and the regulations that impact you, subscribe to department newsletters and learn more about the Department's initiatives.

Our mission at the Department is: License Efficiently, Regulate Fairly. We constantly strive to serve you better so that you can serve your customers. Thank you for doing business in Florida, and congratulations on your new license!



DETACH HERE

RICK SCOTT, GOVERNOR

KEN LAWSON, SECRETARY

**STATE OF FLORIDA
DEPARTMENT OF BUSINESS AND PROFESSIONAL REGULATION
CONSTRUCTION INDUSTRY LICENSING BOARD**

LICENSE NUMBER
CRC1330822

The RESIDENTIAL CONTRACTOR
Named below IS CERTIFIED
Under the provisions of Chapter 489 FS.
Expiration date: AUG 31, 2018

OCHSTEIN, SAMUEL ELI
NEWSOUTH WINDOW SOLUTIONS, LLC
2511 WESTGATE AVENUE
WEST PALM BEACH, FL 33407



ISSUED: 07/28/2016

DISPLAY AS REQUIRED BY LAW

SEQ # L1607280002122





City of Altamonte Springs
 225 Newburyport Avenue
 Altamonte Springs, Florida 32701-3697
 407-571-8116



NEW SOUTH WINDOW SOLUTIONS OF ORLANDO, LLC
 HOLLY HOLMBERG
 820 E ALTAMONTE DR
 ALTAMONTE SPRINGS FL 32701

DO NOT PAY – THIS IS NOT A BILL

 <p>City of Altamonte Springs 225 Newburyport Avenue Altamonte Springs, Florida 32701-3697 407-571-8116</p> 													
<p>BUSINESS TAX RECEIPT Provision: Ordinance No. 1570-07</p>													
<p>Business Control No.: Business Name: Business Address:</p>	<p>0028746 NEW SOUTH WINDOW SOLUTIONS OF ORLANDO, LLC HOLLY HOLMBERG 820 E ALTAMONTE DR ALTAMONTE SPRINGS FL 32701</p> <p>Expires: September 30, 2017</p>												
<table border="1"> <thead> <tr> <th>RECEIPT NO.</th> <th>CLASS DESCRIPTION</th> <th>FEE</th> <th>PENALTY</th> </tr> </thead> <tbody> <tr> <td>17-00111421</td> <td>CONTRACTORS-ALL OTHERS- STATE LICENSE</td> <td>\$ 120.75</td> <td>\$ 0.00</td> </tr> <tr> <td>17-00111422</td> <td>SEMINOLE COUNTY REGULATED</td> <td>\$ 45.00</td> <td>\$ 0.00</td> </tr> </tbody> </table> <p>Restrictions:</p>	RECEIPT NO.	CLASS DESCRIPTION	FEE	PENALTY	17-00111421	CONTRACTORS-ALL OTHERS- STATE LICENSE	\$ 120.75	\$ 0.00	17-00111422	SEMINOLE COUNTY REGULATED	\$ 45.00	\$ 0.00	
RECEIPT NO.	CLASS DESCRIPTION	FEE	PENALTY										
17-00111421	CONTRACTORS-ALL OTHERS- STATE LICENSE	\$ 120.75	\$ 0.00										
17-00111422	SEMINOLE COUNTY REGULATED	\$ 45.00	\$ 0.00										
<p><i>Angela M Apperson</i> City Clerk</p>													
<p>WARNING: THIS DOCUMENT IS PRINTED ON SECURITY WATERMARKED PAPER AND CONTAINS SECURITY FIBERS. DO NOT ACCEPT WITHOUT VERIFYING THE PRESENCE OF THE WATERMARK. THE DOCUMENT FACE CONTAINS A SECURITY BACKGROUND. THE FACE CONTAINS A SPECIAL LINE WITH TEXT "CITY OF ALTAMONTE SPRINGS"</p>													
<p>VOID WITHOUT WATERMARK OR IF ALTERED OR ERASED</p>													