



City of Belle Isle

Universal Engineering Sciences 3532 Maggie Blvd., Orlando, FL 32811
Tel 407-581-8161 * Fax 407-581-0313 * www.universalengineering.com

PERMIT CARD – PLEASE POST AT JOB SITE

THIS DOCUMENT BECOMES YOUR PERMIT WHEN PROPERLY VALIDATED

Per FBC 105.3.3: An enforcing authority may not issue a building permit for any building construction, erection, alteration, modification, repair or addition unless the permit either includes on its face or there is attached to the permit the following statement: "NOTICE: In addition to the requirements of this permit, there may be additional restrictions applicable to this property that may be found in the public records of this county, and there may be additional permits required from other governmental entities such as water management districts, state agencies, or federal agencies." The issuance of this permit does not grant permission to violate any applicable City, Orange County, State of Florida and/or Federal codes and/or ordinances. Separate permits are required for Signs, Roofing, Electrical, Gas, Plumbing and Mechanical services. This permit becomes VOID if the work authorized is not commenced within 6 months, or is suspended or abandoned for a period of 6 months after commencement. **WORK SHALL BE CONSIDERED SUSPENDED IF AN APPROVED INSPECTION HAS NOT BEEN MADE WITHIN A 6 MONTH PERIOD.** PERMISSION IS GRANTED TO DO THE FOLLOWING WORK ACCORDING TO THE CONDITIONS HEREON AND THE APPROVED PLANS AND SPECIFICATIONS, SUBJECT TO COMPLIANCE WITH THE ORDINANCES OF THE CITY OF BELLE ISLE, FLORIDA.

Scope of Work: BUILDING - 9 windows size-for-size Comments: None Project Information Address: 1723 Wind Drift Rd, , Belle Isle, FL 32809 Parcel ID: 30-23-30-0604-01-070 Property Owner: Pawlowski, Tia Phone Number: 407 256-6452 ***** Company Name: Window World Contractor Name: Tillman, Michael License Number: CGC1514205 Address: 3882 Center Loop, Orlando, FL 32808 Phone Number: 407 389 1400	Permit Number: 2016-07-044 Date of Application: 07/27/2016 Date Permit Issued: 07/27/2016 WARNING TO OWNER: "YOUR FAILURE TO RECORD A NOTICE OF COMMENCEMENT MAY RESULT IN YOU PAYING TWICE FOR IMPROVEMENTS TO YOUR PROPERTY. IF YOU INTEND TO OBTAIN FINANCING, CONSULT WITH YOUR LENDER OR AN ATTORNEY BEFORE RECORDING YOUR NOTICE OF COMMENCEMENT." ON THE JOB INSPECTION(S) MUST BE MADE BEFORE PROCEEDING WITH SUBSEQUENT WORK. THIS CARD MUST BE DISPLAYED OUTSIDE AND BE PROTECTED FROM THE WEATHER WHILE BEING VISIBLE FROM THE STREET UNTIL THE FINAL INSPECTIONS HAVE BEEN APPROVED.
---	---

BUILDING FEATURES

IMPACT FEES School \$ Traffic \$ ZONING FEES Zoning Fee \$ UNIVERSAL ENG - BUILDING FEES Cert of Occ \$ Demo \$ Building \$ Fence \$ Driveway \$ Shed \$ Windows/Doors \$67.50 PrePower \$ Electrical \$ Temp Pole \$ Plumbing \$ Mechanical \$ Gas \$ Roofing \$ Boat Dock \$ Screen Encl \$ Swimming Pool \$ Sign \$ SURCHARGE FEES Surcharge Fee \$2.00 Surcharge Fee \$2.00 TOTAL FEES \$71.50 Date Paid <u>8-3-16</u> CC or Check # <u>ALEX 11011</u> Amount Paid <u>71.50</u> The person accepting this permit shall conform to the terms of the application on file and construction shall conform to the requirements of the Florida Building Code (FS 553).	BUILDING INSPECTOR USE ONLY IF APPLICABLE: Have Zoning Approval Conditions Been Met? YES NO Have Stormwater Approval Conditions Been Met? YES NO Silt fencing in place? YES NO Turbidity Barrier in place? YES NO <input type="checkbox"/> BUILDING 1 st _____ (Footing/Foundation) Survey specific foundation plan must be onsite before slab pour. Approved Plan on Site? ____ 2 nd _____ (Slab) 3 rd _____ (Lintel)(Wall Reinforcing on Masonry Building) 4 th _____ (Exterior Framing)(Roof/Wall Sheathing) 5 th _____ (Framing) (To be made after Plumbing/ Mechanical/ Electrical Rough-Ins & Windows/Doors Installed) 6 th _____ (Insulation to be Made After Roof Installed) 7 th _____ (Drywall) 8 th _____ (Sidewalk/Driveway) 9 th _____ (Other) 10 th _____ (Final – After MEP and Other Applicable Finals) <input type="checkbox"/> ROOFING 1 ST ROOFING Deck Nailing/Dry-in/Flashing _____ 2 nd ROOFING Covering In-Progress _____ 3 rd ROOFING Covering Final _____ <input type="checkbox"/> PLUMBING (Pool-Piping, Solar, Irrigation, Water Treatment Equip, Etc...) <input type="checkbox"/> 1 ST _____ (Underground) 2 nd _____ (Sewer) 3 rd _____ (Rough-In/Tub Set) 4 th _____ (Final) CHECK APPROPRIATE BOX <input type="checkbox"/> GAS ___ Natural ___ LP <input type="checkbox"/> MECHANICAL <input type="checkbox"/> ELECTRICAL <input type="checkbox"/> LOW VOLTAGE 1 st _____ (Rough-In) 2 nd _____ (Final)
--	---

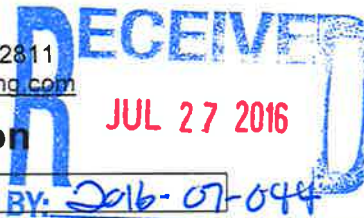
Inspection requests are to be emailed to BD scheduling@UniversalEngineering.com; a confirmation email will be sent back to you upon scheduling. **Next-Day Inspection requests must be made by 4pm.** Please include the following in your request: Permit #, project address, type of inspection, date of the requested inspection, a contact name & a contact phone number. AM or PM may be requested but cannot be guaranteed.

For a copy of your permit, or to check inspection results, please visit <https://universalengineering.sharefile.com>
login ID = cobi@universalengineering.com password = universal13



City of Belle Isle

Universal Engineering Sciences 3532 Maggie Blvd., Orlando, FL 32811
Tel 407-581-8161 * Fax 407-581-0313 * www.universaleengineering.com



Building Permit (Land Use) Application

DATE: 07/15/2016

PERMIT #

BY: 2016-07-044

PROJECT ADDRESS 1723 Wind drift Rd., Belle Isle, FL 32809 32812

PROPERTY OWNER Tia pawlowski PHONE 407-256-6457 VALUE OF WORK (labor & material) \$ 2549.00
5097.00

PLEASE LIST THE NATURE OF YOUR PROPOSED IMPROVEMENTS

Replacing 9 Windows Size for Size ✓

Please provide information, if applicable.

- Survey specific foundation plan required to show compliance with zoning setbacks
- **BOAT DOCK:** DEP Clearance Required with Application (Call 407-897-4100); please provide a copy of their report
- **SEPTIC SYSTEM (RESIDENTIAL):** - Provide verification of OC Health Dept approval for on-site septic tank system, per FAC Chap. 64E-6
- Homeowners will be required to have a contractor on record for homes that are rented and/or not homestead

Please Complete for the City of Belle Isle Zoning Review: Parcel Id Number: 30-23-35-0604-01-070

To obtain this information, please visit <http://www.ocpafl.org/Searches/ParcelSearch.aspx>

SPECIAL CONDITIONS: STRUCTURES MAY NOT ENCROACH INTO ANY EASEMENT OR REQUIRED SETBACK. Note, this Zoning Approval MAY or MAY NOT be in conflict with your Deed Restrictions. For New Single Family Residence, a Traffic Impact Fee and School Impact will be assessed.

Wind Exposure Category: B C D

Attached Survey _____ SETS and Construction Plans _____ SETS

PLANNING & ZONING APPROVAL: _____
DATE _____

SPRINKLERS REQ'D	Y <input type="checkbox"/>	N <input type="checkbox"/>	
If Required - SUBMIT COPY OF PLANS FOR FIRE REVIEW			
REVIEW	Date: Sent	RCD	
ZONING	Y	<input checked="" type="checkbox"/> N	\$ _____
CERT OF OCC	Y	<input type="checkbox"/> N	\$ _____
TRAFFIC	Y	<input type="checkbox"/> N	\$ _____
SCHOOL	Y	<input type="checkbox"/> N	\$ _____
FIRE	Y	<input type="checkbox"/> N	\$ _____
SWIMMING POOL	Y	<input type="checkbox"/> N	\$ _____
SCREEN ENCLOSURE	Y	<input type="checkbox"/> N	\$ _____
ROOFING	Y	<input type="checkbox"/> N	\$ _____
BOAT DOCK	Y	<input type="checkbox"/> N	\$ _____
BUILDING	Y	<input type="checkbox"/> N	\$ _____
WINDOW(S)	<input checked="" type="checkbox"/> Y	<input type="checkbox"/> N	\$ 4650 67.5
DOOR(S)	Y	<input type="checkbox"/> N	\$ _____
FENCE	Y	<input type="checkbox"/> N	\$ _____
SHED	Y	<input type="checkbox"/> N	\$ _____
DRIVEWAY	Y	<input type="checkbox"/> N	\$ _____
OTHER	Y	<input type="checkbox"/> N	\$ _____

PLEASE COMPLETE for Building Review

CONSTRUCTION TYPE _____

OCCUPANCY GROUP Comm Res: Single Fam Multi Fam

#BLDG. _____ #UNITS _____ #STORIES _____ TOTAL SQ.FT. _____

MAX. FLOOR LOAD _____ MAX. OCCUPANCY _____

MIN. FLOOD ELEV. _____ LOW FLOOR ELEV. _____

WATER SERVICE _____ WELL _____ SEPTIC _____

BUILDING REVIEWER CJ DATE 7-27-16

VERIFIED CONTRACTOR'S LICENSE & INSURANCE ARE ON FILE SW DATE 7-27-16

Per FSS 105.3.3:
An enforcing authority may not issue a building permit for any building construction, erection, alteration, modification, repair or addition unless the permit either includes on its face or there is attached to the permit the following statement: "NOTICE: In addition to the requirements of this permit, there may be additional restrictions applicable to this property that may be found in the public records of this county, and there may be additional permits required from other governmental entities such as water management districts, state agencies, or federal agencies."

Republic Services is by legal contract the sole authorized provider of garbage, recycling, yard waste, and commercial garbage and construction debris collection and disposal services with the city limits of the City. Contractors, homeowners and commercial businesses may contact Republic Services at 407-293-8000 to setup accounts for Commercial, Construction Roll Off, or other services needed. Rates are fixed by contract and are available at City Hall or from Republic Services. The City enforces the contract through its code enforcement office. Failure to comply will result in a stop work order.

SEPARATE PERMITS ARE REQUIRED FOR ROOFING, ELECTRICAL, PLUMBING, GAS, MECHANICAL, SIGNS, POOLS, ENCLOSURES, ETC.

1511K
2x41
25
8
33+2
16.50
49.50

4.00
53.50 71.50

3% FL SURCHARGE 4.00

TOTAL 53.50 71.50

By Owner Form	Y	<input checked="" type="checkbox"/> NA
Notice of Commencement	<input checked="" type="checkbox"/> Y	NA
Power of Attorney	<input checked="" type="checkbox"/> Y	NA
Contractor Packet Included?	Y	N
OTHER PERMITS REQUIRED:		
ELECTRICAL	Y	NA
PREPOWER	Y	NA
MECHANICAL	Y	NA
PLUMBING	Y	NA
ROOFING	Y	NA
GAS	Y	NA



City of Belle Isle
 Universal Engineering Sciences 3532 Maggie Blvd., Orlando, FL 32811
 Tel 407-581-8161 * Fax 407-581-0313 * www.universalengineering.com

Building Permit (Land Use) Application

To be completed as required by State Statute Section 713 and other applicable sections.

PERMIT # 2016-07-044

Owner's Name Tia and John Pawlowski

Owner's Address 1723 Wind Drift Rd. Orlando, FL 32809

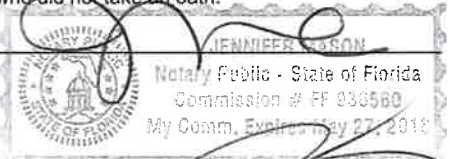
Contractor Name <u>Michael Tillman/Window World</u>	Company Name <u>Window World</u>
License # <u>CGC 1514205</u>	Company Address <u>3882 Center Loop</u>
Contact Phone/Cell <u>407-389-1400</u>	City, State, ZIP <u>Orlando FL 32808</u>
Contact Email <u>permit@windowworldorlando.com</u>	Contact Fax <u>407-389-1400, 407-389-1402</u>

WARNING TO OWNER: Your failure to record a Notice of Commencement may result in your paying twice for improvements to your property. A notice of commencement must be recorded if job is \$2500(+) or if A/C Replacement \$7500(+) and posted on the job site before the first inspection. If you intend to obtain financing, consult with your lender or an attorney before recording your Notice of Commencement.

I hereby make Application for Permit as outlined above, and if same is granted I agree to conform to all Division of Building Safety Regulations (www.floridabuilding.org) and City Ordinances (www.municode.com) regulating same and in accordance with plans submitted. The issuance of this permit does not grant permission to violate any applicable City and/or State of Florida codes and/or ordinances. Application is hereby made to obtain a permit to do the work and installations as indicated. I certify that no work or installation has commenced prior to the issuance of a permit and that all work will be performed to meet the standards of all laws regulating construction in this jurisdiction. I understand that a **separate** permit must be secured for all other construction including ROOFING, ELECTRICAL, MECHANICAL, PLUMBING, GAS, SIGNS, POOLS, SCREEN ENCLOSURES, ETC.

OWNER'S AFFIDAVIT: I certify that all the foregoing information is accurate and that all work will be done in compliance with all applicable laws regulating construction and zoning.

Owner Signature [Signature]
 The foregoing instrument was acknowledged before me this 7/15/16
 by Tia Paulowski who is personally known to me
 and who produced [Signature]
 as identification and who did not take an oath.
 Notary as to Owner
 State of Florida
 County of Orange



Contractor Signature [Signature]
 COMPANY NAME Window World
 The foregoing instrument was acknowledged before me this 7/15/16
 by Michael Tillman who is personally known to me
 and who produced [Signature]
 as identification and who did not take an oath.
 Notary as to Owner
 State of Florida
 County of Orange



Impervious Surface Ratio Worksheet
 Development Zoned A-1, A-2, R-1-AAA, R-1-AA, R-1-A, R-1 per City Code, Section 50-74: Impervious Surface Ratio

- Total Lot Area (sqft) X 0.35 = Allowable Impervious Area (BASE).
 Total Lot Area _____ X 0.35 =
 Allowable Impervious Area (BASE) _____
- Calculate the "proposed" impervious area on the lot. This includes the sum of all areas that do not allow direct percolation of rainwater. Examples include house, pool, deck, driveway, accessory building, etc.
 - House _____
 - Driveway _____
 - Walkway _____
 - Accessory Buildings _____
 - Pool & Spa _____
 - Deck & Patio _____
 - Other _____
 Actual Impervious Area (AIA) _____
- If AIA is less than BASE, subtract AIA from BASE to determine the amount of impervious area that may be added without providing onsite retention.
- If AIA is greater than BASE, then onsite retention **must be provided**.

Assuming 7.5 inches of rainfall based on a 24hr 10 year Rain Event (TP40), the formula is: (7.5 inches rainfall/12 inches p/foot) X (result from line 4) = cubic feet of storage volume needed

Permit Number: 2016-07-044
 Folio/Parcel ID #: 30-23-30-0604-01-070
 Prepared by: Window World
3882 Center Loop
Orlando FL 32808
 Return to: Window World
3882 Center Loop
Orlando FL 32808

DOCH 20160387082
 07/27/2016 10:10:25 AM Page 1 of 1
 Rec Fee: \$10.00
 Martha O. Haynie, Comptroller
 Orange County, FL
 MB - Ret To: WINDOW WORLD OF CENTRAL F



NOTICE OF COMMENCEMENT

State of Florida, County of Orange

The undersigned hereby gives notice that improvement will be made to certain real property, and in accordance with Chapter 713, Florida Statutes, the following information is provided in this Notice of Commencement.

1. **Description of property** (legal description of the property, and street address if available)
Belle Isle Pines Unit 2 712 Lot 7 BLK A
2. **General description of improvement**
Window Replacement
3. **Owner information or Lessee information if the Lessee contracted for the improvement**
 Name Tia Pawlowski, John Pawlowski
 Address 1723 Wind Drift Rd Orlando FL 32809
 Interest in Property _____
Name and address of fee simple titleholder (if different from Owner listed above)
 Name _____
 Address _____
4. **Contractor**
 Name Window World Telephone Number 407-389-1400
 Address 3882 Center Loop Orlando FL 32808
5. **Surety** (if applicable, a copy of the payment bond is attached)
 Name _____ Telephone Number _____
 Address _____ Amount of Bond \$ _____
6. **Lender**
 Name _____ Telephone Number _____
 Address _____
7. **Persons within the State of Florida designated by Owner upon whom notices or other documents may be served as provided by §713.13(1)(a)7, Florida Statutes.**
 Name _____ Telephone Number _____
 Address _____
8. **In addition to himself or herself, Owner designates the following to receive a copy of the Lienor's Notice as provided in §713.13(1)(b), Florida Statutes.**
 Name _____ Telephone Number _____
 Address _____
9. **Expiration date of notice of commencement** (the expiration date will be 1 year from the date of recording unless a different date is specified) _____



State of Florida, County of Orange
 I hereby certify that this is a true and correct copy of
 the document as reflected in the Official Records.
 MARTHA O. HAYNIE, COUNTY COMPTROLLER

By: [Signature] Deputy Comptroller
 Dated: 07-27-16

WARNING TO OWNER: ANY PAYMENTS MADE BY THE OWNER AFTER THE EXPIRATION OF THE NOTICE OF COMMENCEMENT ARE CONSIDERED IMPROPER PAYMENTS UNDER CHAPTER 713, PART I, SECTION 713.13, FLORIDA STATUTES, AND CAN RESULT IN YOUR PAYING TWICE FOR IMPROVEMENTS TO YOUR PROPERTY. A NOTICE OF COMMENCEMENT MUST BE RECORDED AND POSTED ON THE JOB SITE BEFORE THE FIRST INSPECTION. IF YOU INTEND TO OBTAIN FINANCING, CONSULT WITH YOUR LENDER OR AN ATTORNEY BEFORE COMMENCING WORK OR RECORDING YOUR NOTICE OF COMMENCEMENT.

[Signature]
 Signature of Owner or Lessee, or Owner's or Lessee's Authorized Officer/Director/Partner/Manager

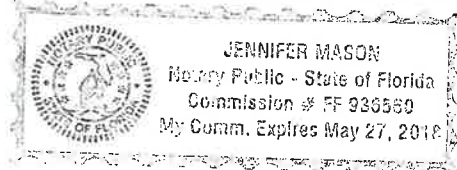
 Signatory's Title/Office

The foregoing instrument was acknowledged before me this 15 day of July 2016 by Tia Pawlowski
 as owner for _____
 Type of authority, e.g., officer, trustee, attorney in fact Name of party on behalf of whom instrument was executed

[Signature]
 Signature of Notary Public - State of Florida

J. Mason
 Print, type, or stamp commissioned name of Notary Public

Personally Known OR Produced ID _____
 Type of ID Produced bl





CITY OF BELLE ISLE, FLORIDA
Universal Engineering Sciences 3532 Maggie Blvd., Orlando, FL 32811
Tel 407-581-8161 * Fax 407-581-0313 * www.universalengineering.com

POWER OF ATTORNEY

Date: 07/15/2016

Permit #: 2016-07-044

I hereby name and appoint JORGE TORRES of
(print name)
WINDOW WORLD to be my lawful attorney-in-fact to act for
(company name)

me and apply to the City of Belle Isle Building Department for a WINDOW permit
(type of permit)

for work to be performed at the following location:

1723 WIND DRIFT RD, Belle Isle, FL 32809 32812 and
(street address)

to sign my name and do all things necessary to this appointment.

Certified Contractor's Printed Name: MICHAEL TILLMAN

License Number: CGC1514205

Certified Contractor's Signature: _____

.....
The foregoing instrument was acknowledged before me this 15 days of July of 2016
by Michael Tillman who is personally known to me or who produced
_____ as identification and who did not take an oath.

State of Florida
County of Orange

Notary Public, Orange County, Florida



(seal)



City of Belle Isle

Universal Engineering Sciences 3532 Maggie Blvd., Orlando, FL 32811
 Tel 407-581-8161 * Fax 407-581-0313 * www.universalengineering.com

RECEIVED

JUL 27 2016

Product Approval Form

DATE: 07/15/2016

PERMIT # 2016-07-044

PROJECT ADDRESS 1723 WIND DRIFT RD, Belle Isle, FL 32809 32812

As required by Florida Statue 553.842 and Florida Administrative Code 9B-72m, please provide the information and approval numbers of the building components listed below if they will be utilized on the building or structure. FL Approved products are listed online at www.floridabuilding.org or can be obtained from the local product supplier. The following information must be turned in with permit application and available onsite for inspections:

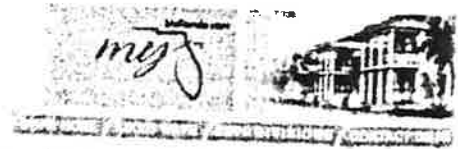
1. This Product Approval Cover Sheet
2. Internet screen from FloridaBuilding.org showing PA#, approval and code edition stamped
3. Manufacturer's installation details from FloridaBuilding.org and requirements for each product stamped

Product Type	Manufacturer	Model/Series	FL Product Approval #	Product Type	Manufacturer	Model/Series	FL Product Approval #
EXTERIOR DOORS				WALL PANELS			
Swinging				Sliding			
Sliding				Soffits			
Sectional/Rollup				Storefront			
Other				Glass Block			
				Other			
WINDOWS				ROOFING PRODUCTS			
Single/Dbl Hung	AMI	3001	11720.13	Asphalt Shingles			
Horizontal Slider	AMI	3002	11141.32	Non Struct Metal			
Casement				Roofing Tiles			
Fixed				Single Ply Roof			
Mullion	AMI	MULLION	12078.1	Other			
Skylights							
Other							
STRUCTURAL COMPONENTS				OTHER			
Wood Connectors							
Wood Anchors							
Truss Plates							
Insulation Forms							
Lintels							
Other							

It is the applicant's responsibility to verify that specific products have been installed in accordance with their limitations and with the minimum required design pressures for the structure. Specific compliance will be verified during field inspections.

Applicant Signature

Date 7/15/16



[BCIS Home](#)
[Log In](#)
[User Registration](#)
[Hot Topics](#)
[Submit Surcharge](#)
[Stats & Facts](#)
[Publications](#)
[FBC Staff](#)
[FBCS Site Map](#)
[Links](#)
[Search](#)

Product Approval
 USER: Public User



[Product Approval Menu](#) >
 [Product or Application Search](#) >
 [Application List](#) >
 [Application History](#) >
 Application Detail

FL #	FL11720-R13								
Application Type	Revision								
Code Version	2014								
Application Status	Approved								
Comments									
Archived									
Product Manufacturer	Associated Materials Inc.								
Address/Phone/Email	3773 State Road Cuyahoga Falls, OH 44223 (330) 922-2108 mfernbaugh@alside.com								
Authorized Signature	Vivian Wright rickw@rwbldgconsultants.com								
Technical Representative									
Address/Phone/Email									
Quality Assurance Representative									
Address/Phone/Email									
Category	Windows								
Subcategory	Double Hung								
Compliance Method	Evaluation Report from a Florida Registered Architect or a Licensed Florida Professional Engineer ✓ Evaluation Report - Hardcopy Received								
Florida Engineer or Architect Name who developed the Evaluation Report	Lyndon F. Schmidt, P.E.								
Florida License	PE-43409								
Quality Assurance Entity	Architectural Testing, Inc.								
Quality Assurance Contract Expiration Date	12/31/2016								
Validated By	Ryan J. King, P.E. ✓ Validation Checklist - Hardcopy Received								
Certificate of Independence	FL11720_R13_COI_CERTIFICATE of INDEPENDENCE.pdf								
Referenced Standard and Year (of Standard)	<table border="0"> <thead> <tr> <th>Standard</th> <th>Year</th> </tr> </thead> <tbody> <tr> <td>ANSI/AAMA/NWWDA 101/1.S.2/A440</td> <td>2008</td> </tr> <tr> <td>ASTM E1886</td> <td>2005</td> </tr> <tr> <td>ASTM E1996</td> <td>2005</td> </tr> </tbody> </table>	Standard	Year	ANSI/AAMA/NWWDA 101/1.S.2/A440	2008	ASTM E1886	2005	ASTM E1996	2005
Standard	Year								
ANSI/AAMA/NWWDA 101/1.S.2/A440	2008								
ASTM E1886	2005								
ASTM E1996	2005								
Equivalence of Product Standards Certified By									
Sections from the Code									

Product Approval Method Method 1 Option D
 Date Submitted 04/14/2015
 Date Validated 04/26/2015
 Date Pending FBC Approval 04/29/2015
 Date Approved 06/22/2015

Summary of Products

FL #	Model, Number or Name	Description
11720.1	a. Model 0201	Extruded Vinyl Double Hung Window "Non-Impact"
Limits of Use Approved for use in HVHZ: No Approved for use outside HVHZ: Yes Impact Resistant: No Design Pressure: N/A Other: See INST 11720.1 for Design Pressure Ratings, any additional use limitations, installation instructions and product particulars.		Installation Instructions FL11720 R13 II INST 11720.1.pdf Verified By: Lyndon F. Schmidt, P.E. 43409 Created by Independent Third Party: Yes Evaluation Reports FL11720 R13 AE EVAL 11720.1.pdf Created by Independent Third Party: Yes
11720.2	b. Model 0301	Extruded Vinyl Double Hung Window with Nail Fin - "Non-Impact"
Limits of Use Approved for use in HVHZ: No Approved for use outside HVHZ: Yes Impact Resistant: No Design Pressure: N/A Other: See INST 11720.2 for Design Pressure Ratings, any additional use limitations, installation instructions and product particulars.		Installation Instructions FL11720 R13 II INST 11720.2.pdf Verified By: Lyndon F. Schmidt, P.E. 43409 Created by Independent Third Party: Yes Evaluation Reports FL11720 R13 AE EVAL 11720.2.pdf Created by Independent Third Party: Yes
11720.3	c. Model 0401	Extruded Vinyl Double Hung Window - "Non-Impact"
Limits of Use Approved for use in HVHZ: No Approved for use outside HVHZ: Yes Impact Resistant: No Design Pressure: N/A Other: See INST 11720.3 for Design Pressure Ratings, any additional use limitations, installation instructions and product particulars.		Installation Instructions FL11720 R13 II INST Product Offering .pdf Verified By: Lyndon F. Schmidt, P.E. 43409 Created by Independent Third Party: Yes Evaluation Reports FL11720 R13 AE EVAL Product Offering .pdf Created by Independent Third Party: Yes
11720.4	d. Model 0501	Extruded Vinyl Double Hung Window - "Non-Impact"
Limits of Use Approved for use in HVHZ: No Approved for use outside HVHZ: Yes Impact Resistant: No Design Pressure: N/A Other: See INST 11720.4 for Design Pressure Ratings, any additional use limitations, installation instructions and product particulars.		Installation Instructions FL11720 R13 II INST 11720.4.pdf Verified By: Lyndon F. Schmidt, P.E. 43409 Created by Independent Third Party: Yes Evaluation Reports FL11720 R13 AE EVAL 11720.4.pdf Created by Independent Third Party: Yes
11720.5	e. Model 0501 HP	Extruded Vinyl Double Hung Window - "Non-Impact"
Limits of Use Approved for use in HVHZ: No Approved for use outside HVHZ: Yes Impact Resistant: No Design Pressure: N/A Other: See INST 11720.5 for Design Pressure Ratings, any additional use limitations, installation instructions and product particulars.		Installation Instructions FL11720 R13 II INST 11720.5.pdf Verified By: Lyndon F. Schmidt, P.E. 43409 Created by Independent Third Party: Yes Evaluation Reports FL11720 R13 AE EVAL 11720.5.pdf Created by Independent Third Party: Yes
11720.6	f. Model 0601/O601HP	Extruded Vinyl Double Hung Window - "Non-Impact"
Limits of Use Approved for use in HVHZ: No Approved for use outside HVHZ: Yes Impact Resistant: No Design Pressure: N/A Other: See INST 11720.6 for Design Pressure Ratings, any additional use limitations, installation instructions and product particulars.		Installation Instructions FL11720 R13 II INST 11720.6.pdf Verified By: Lyndon F. Schmidt, P.E. 43409 Created by Independent Third Party: Yes Evaluation Reports FL11720 R13 AE EVAL 11720.6.pdf Created by Independent Third Party: Yes

<p>11720.7</p> <p>Limits of Use Approved for use in HVHZ: No Approved for use outside HVHZ: Yes Impact Resistant: No Design Pressure: N/A Other: See INST 11720.7 for Design Pressure Ratings, any additional use limitations, installation instructions and product particulars.</p>	<p>g. Model 8001</p>	<p>Extruded Vinyl Double Hung Window - "Non-Impact"</p> <p>Installation Instructions FL11720 R13 II INST 11720.7.pdf Verified By: Lyndon F. Schmidt, P.E. 43409 Created by Independent Third Party: Yes</p> <p>Evaluation Reports FL11720 R13 AE EVAL 11720.7.pdf Created by Independent Third Party: Yes</p>
<p>11720.8</p> <p>Limits of Use Approved for use in HVHZ: No Approved for use outside HVHZ: Yes Impact Resistant: No Design Pressure: N/A Other: See INST 11720.8 for Design Pressure Ratings, any additional use limitations, installation instructions and product particulars.</p>	<p>h. Model 9001</p>	<p>Extruded Vinyl Double Hung Window - "Non-Impact"</p> <p>Installation Instructions FL11720 R13 II INST 11720.8.pdf Verified By: Lyndon F. Schmidt, P.E. 43409 Created by Independent Third Party: Yes</p> <p>Evaluation Reports FL11720 R13 AE EVAL 11720.8.pdf Created by Independent Third Party: Yes</p>
<p>11720.9</p> <p>Limits of Use Approved for use in HVHZ: No Approved for use outside HVHZ: Yes Impact Resistant: No Design Pressure: N/A Other: See INST 11720.9 for Design Pressure Ratings, any additional use limitations, installation instructions and product particulars.</p>	<p>i. Model "i" 201 / "i" 201HP</p>	<p>Extruded Vinyl "Tilt" Double Hung Window - "Non-Impact"</p> <p>Installation Instructions FL11720 R13 II INST 11720.9.pdf Verified By: Lyndon F. Schmidt, P.E. 43409 Created by Independent Third Party: Yes</p> <p>Evaluation Reports FL11720 R13 AE EVAL 11720.9.pdf Created by Independent Third Party: Yes</p>
<p>11720.10</p> <p>Limits of Use Approved for use in HVHZ: No Approved for use outside HVHZ: Yes Impact Resistant: Yes Design Pressure: N/A Other: See INST 11720.10 for Design Pressure Ratings, any additional use limitations, installation instructions and product particulars.</p>	<p>j. Model "i" 201</p>	<p>Extruded Vinyl "Tilt" Double Hung Window - "Impact"</p> <p>Installation Instructions FL11720 R13 II INST 11720.10.pdf Verified By: Lyndon F. Schmidt, P.E. 43409 Created by Independent Third Party: Yes</p> <p>Evaluation Reports FL11720 R13 AE EVAL 11720.10.pdf Created by Independent Third Party: Yes</p>
<p>11720.11</p> <p>Limits of Use Approved for use in HVHZ: No Approved for use outside HVHZ: Yes Impact Resistant: No Design Pressure: N/A Other: See INST 11720.11 for Design Pressure Ratings, any additional use limitations, installation instructions and product particulars.</p>	<p>k. Model V101</p>	<p>Extruded Vinyl Double Hung Window with Nail Fin - "Non-Impact"</p> <p>Installation Instructions FL11720 R13 II INST 11720.11.pdf Verified By: Lyndon F. Schmidt, P.E. 43409 Created by Independent Third Party: Yes</p> <p>Evaluation Reports FL11720 R13 AE EVAL 11720.11.pdf Created by Independent Third Party: Yes</p>
<p>11720.12</p> <p>Limits of Use Approved for use in HVHZ: No Approved for use outside HVHZ: Yes Impact Resistant: No Design Pressure: N/A Other: See INST 11720.12 for Design Pressure Ratings, any additional use limitations, installation instructions and product particulars.</p>	<p>l. Model V121 / V131</p>	<p>Extruded Vinyl Triple Double Hung Window with Integral Mullion and Nail Fin - "Non-Impact"</p> <p>Installation Instructions FL11720 R13 II INST 11720.12.pdf Verified By: Lyndon F. Schmidt, P.E. 43409 Created by Independent Third Party: Yes</p> <p>Evaluation Reports FL11720 R13 AE EVAL 11720.12.pdf Created by Independent Third Party: Yes</p>
<p>11720.13</p> <p>Limits of Use Approved for use in HVHZ: No Approved for use outside HVHZ: Yes Impact Resistant: No Design Pressure: N/A Other: See INST 11720.13 for Design Pressure Ratings, any additional use limitations, installation instructions and product particulars.</p>	<p>m. Model 3001 / 3B01 / 3A01 / 3AB1</p>	<p>Extruded Vinyl Double Hung Window - "Non-Impact" utilizing the "Sm-Sm" Sash</p> <p>Installation Instructions FL11720 R13 II INST 11720.13.pdf Verified By: Lyndon F. Schmidt, P.E. 43409 Created by Independent Third Party: Yes</p> <p>Evaluation Reports FL11720 R13 AE EVAL 11720.13.pdf Created by Independent Third Party: Yes</p>
<p>11720.14</p> <p>Limits of Use</p>	<p>n. Model 3001 / 3B01 / 3A01 / 3AB1</p>	<p>Extruded Vinyl Double Hung Window - "Non-Impact" utilizing the "Sm-Med" Sash</p> <p>Installation Instructions</p>

<p>Approved for use in HVHZ: No Approved for use outside HVHZ: Yes Impact Resistant: No Design Pressure: N/A Other: See INST 11720.14 for Design Pressure Ratings, any additional use limitations, installation instructions and product particulars.</p>		<p>FL11720 R13 II INST 11720.14.pdf Verified By: Lyndon F. Schmidt, P.E. 43409 Created by Independent Third Party: Yes Evaluation Reports FL11720 R13 AE EVAL 11720.14.pdf Created by Independent Third Party: Yes</p>
<p>11720.15 Limits of Use Approved for use in HVHZ: No Approved for use outside HVHZ: Yes Impact Resistant: No Design Pressure: N/A Other: See INST 11720.15 for Design Pressure Ratings, any additional use limitations, installation instructions and product particulars.</p>	<p>o. Model "I" 301 / "J" 301HP</p>	<p>Extruded Vinyl "Tilt" Double Hung Window - "Non-Impact" Installation Instructions FL11720 R13 II INST 11720.15.pdf Verified By: Lyndon F. Schmidt, P.E. 43409 Created by Independent Third Party: Yes Evaluation Reports FL11720 R13 AE EVAL 11720.15.pdf Created by Independent Third Party: Yes</p>
<p>11720.16 Limits of Use Approved for use in HVHZ: No Approved for use outside HVHZ: Yes Impact Resistant: Yes Design Pressure: N/A Other: See INST 11720.16 for Design Pressure Ratings, any additional use limitations, installation instructions and product particulars.</p>	<p>p. Model "J" 301</p>	<p>Extruded Vinyl Double Hung Window with Nail Fin - "Impact" Installation Instructions FL11720 R13 II INST 11720.16.pdf Verified By: Lyndon F. Schmidt, P.E. 43409 Created by Independent Third Party: Yes Evaluation Reports FL11720 R13 AE EVAL 11720.16.pdf Created by Independent Third Party: Yes</p>
<p>11720.17 Limits of Use Approved for use in HVHZ: No Approved for use outside HVHZ: Yes Impact Resistant: No Design Pressure: N/A Other: See INST 11720.17 for Design Pressure Ratings, any additional use limitations, installation instructions and product particulars.</p>	<p>q. Model 0601 HP</p>	<p>Extruded Vinyl Double Hung Window - "Non-Impact" Installation Instructions FL11720 R13 II INST 11720.17.pdf Verified By: Lyndon F. Schmidt, P.E. 43409 Created by Independent Third Party: Yes Evaluation Reports FL11720 R13 AE EVAL 11720.17.pdf Created by Independent Third Party: Yes</p>



Contact Us :: [1940 North Monroe Street, Tallahassee FL 32399](#) Phone: 850-487-1824

The State of Florida is an AA/EEO employer. [Copyright 2007-2013 State of Florida](#). :: [Privacy Statement](#) :: [Accessibility Statement](#) :: [Refund Statement](#)
 Under Florida law, email addresses are public records. If you do not want your e-mail address released in response to a public-records request, do not send electronic mail to this entity. Instead, contact the office by phone or by traditional mail. If you have any questions, please contact 850.487.1395. *Pursuant to Section 455.275(1), Florida Statutes, effective October 1, 2012, licensees licensed under Chapter 455, F.S. must provide the Department with an email address if they have one. The emails provided may be used for official communication with the licensee. However email addresses are public record. If you do not wish to supply a personal address, please provide the Department with an email address which can be made available to the public. To determine if you are a licensee under Chapter 455, F.S., please click [here](#).

Product Approval Accepts:



ASSOCIATED MATERIALS
 I N C O R P O R A T E D
 3773 STATE ROAD
 CUYAHOGA FALLS, OH 44223

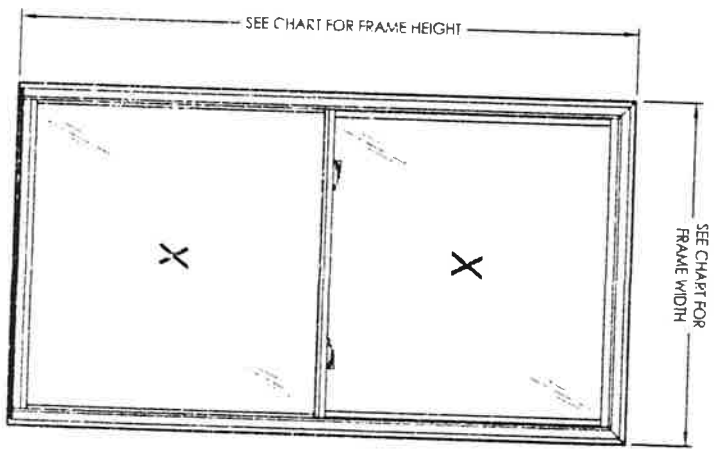
MODEL 3001/3B01/3A01/3AB1
EXTRUDED VINYL
DOUBLE HUNG WINDOW
"Sm-Sm" Sash
"NON-IMPACT"

GENERAL NOTES

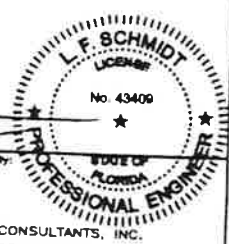
1. This product has been evaluated and is in compliance with the 5th Edition (2014) Florida Building Code (FBC) structural requirements excluding the High Velocity Hurricane Zone (HVHZ).
 2. Product anchors shall be as listed and spaced or shown on details. Anchor embedment to base material shall be beyond wall dressing or stucco.
 3. When used in areas requiring wind borne debris protection this product is required to be protected with an impact resistant covering that complies with Section 1509.1.2 of the FBC.
 4. For 2x stud framing construction, anchoring of these units shall be the same as that shown for 2x buck masonry construction.
- Site conditions that deviate from the details of this drawing require further engineering analysis by a licensed engineer or registered architect.

TABLE OF CONTENTS

SHEET	DESCRIPTION
1	Typical elevations, design pressure & general notes
2	Hanging cross sections
3	Vertical cross sections
4	Buck and framing details
5	End elevation, connection and gasketing detail



OVERALL FRAME DIMENSION	MAX. D.L.O. (TOP)	MAX. D.L.O. (BOTTOM)	GLASS TYPE	DESIGN PRESSURE (PSF)	
				POSITIVE	NEGATIVE
35.0" X 60.0"	29.12" X 25.75"	30.12" X 23.75"	G1	+50.0	-60.0
34.0" X 72.0"	29.12" X 31.75"	30.12" X 32.75"	G1	+50.0	-55.0
34.0" X 79.0"	29.12" X 34.75"	30.12" X 35.75"	G1	+45.0	-45.0
44.0" X 75.0"	37.12" X 33.25"	38.12" X 34.25"	G1	+35.0	-35.0
52.0" X 42.0"	45.12" X 26.75"	46.12" X 27.75"	G1	+35.0	-35.0
48.0" X 64.0"	41.12" X 37.75"	42.12" X 38.75"	G1	+30.0	-30.0
44.0" X 98.0"	37.12" X 43.75"	38.12" X 44.75"	G1	+25.0	-25.0
52.0" X 98.0"	45.12" X 43.75"	46.12" X 44.75"	G1	+20.0	-20.0

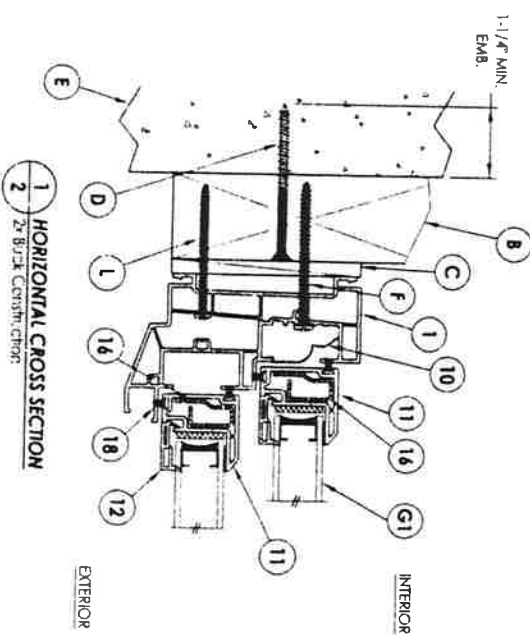
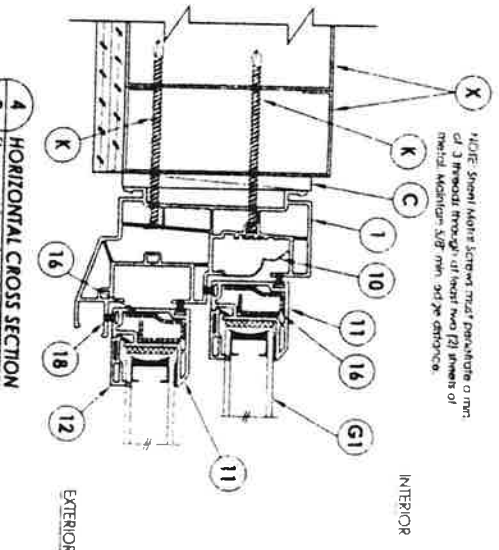
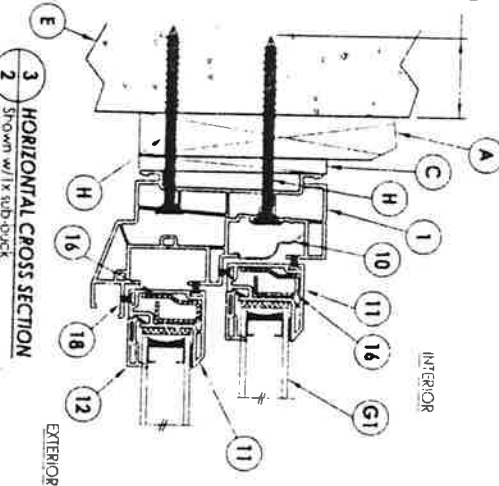
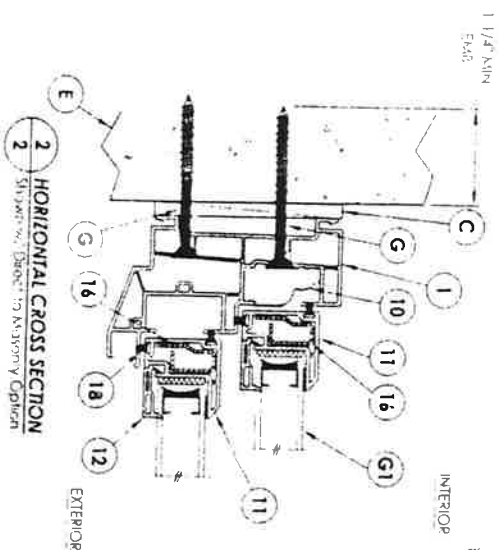
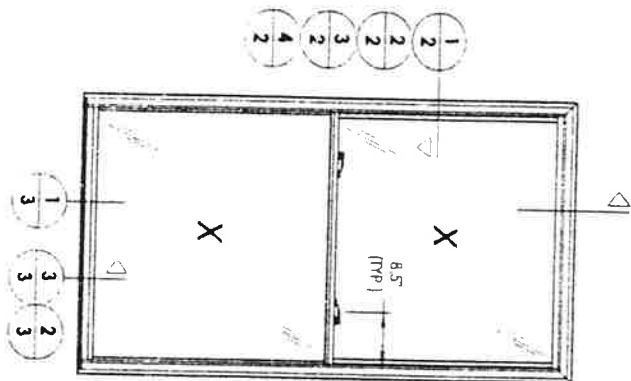


PRODUCT: DOUBLE HUNG WINDOW
 PART OR ASSEMBLY: TYPICAL ELEVATION, DESIGN PRESSURES & GENERAL NOTES

Documents Prepared By:
 Lyndon F. Schmidt
 P.E. No. 43409
 BUILDING CONSULTANTS, INC.
 P.O. Box 230, Vairco, FL 33585
 Phone No.: 813.659.9197
 FBPE C.A. No. 9813

NO.	DATE	REVISIONS	BY
4	2/25/15	UPDATE TO 5TH ED. (2011) FBC	JK
3	7/3/14	UPDATED DESIGN PRESSURES	LFS
2	4/21/14	UPDATED DESIGN PRESSURES	LFS
1	1/23/14	ADD FRAME SIZES	LFS

DATE: 11/12/13
 SCALE: N.T.S.
 CHK. BY: JK
 DWG. BR.: LFS
 DRAWING NO.: FL-11720.13
 SHEET 1 OF 5



NOTE: Show Motor Screws must penetrate a min. of 3 threads through sill and two (2) inches of metal. Minimum 5/8" min. sill depth.

L. F. SCHMIDT
LICENSE
No. 43409
STATE OF FLORIDA
PROFESSIONAL ENGINEER

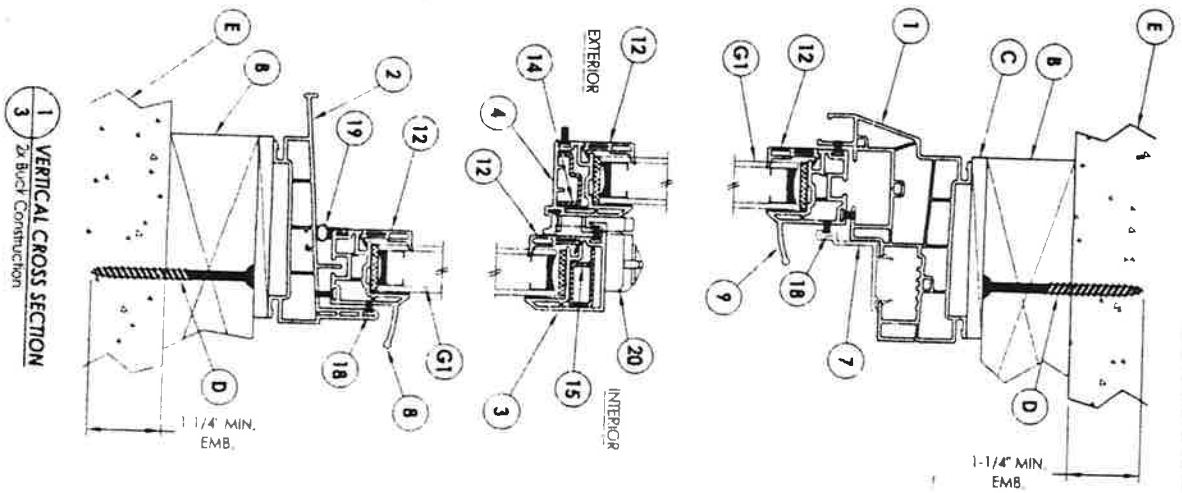
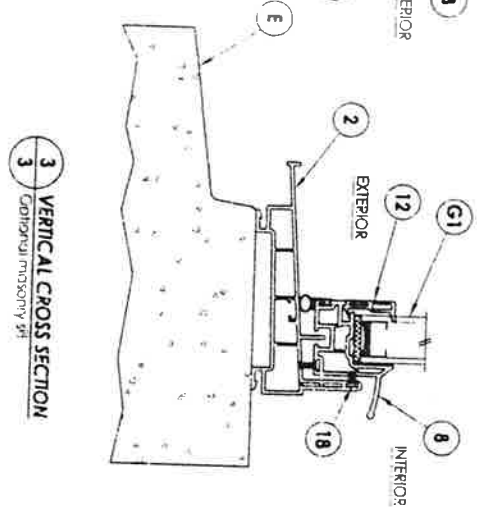
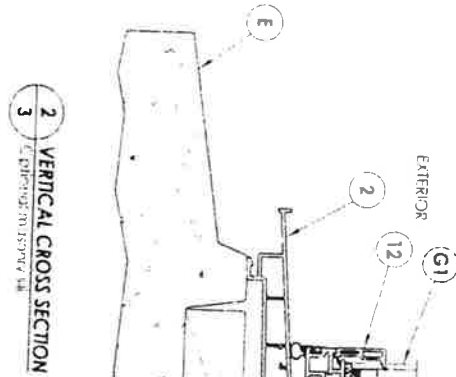
NO.	DATE	REVISIONS
4	2/25/15	UPDATE TO 5TH ED (2014) FBC
3	7/3/14	UPDATED DESIGN PRESSURES
2	4/21/14	UPDATED DESIGN PRESSURES
1	1/23/14	ADDED FRAME SIZES
NO	DATE	

PRODUCT: DOUBLE HUNG WINDOW

PART OR ASSEMBLY: HORIZONTAL CROSS SECTIONS

Documents Prepared By: Lyndon F. Schmidt P.E. No. 43409

RW BUILDING CONSULTANTS, INC.
P.O. Box 230, Valrico, FL 33595
Phone No.: 813.658.0187
FBPE C.A. No. 9813



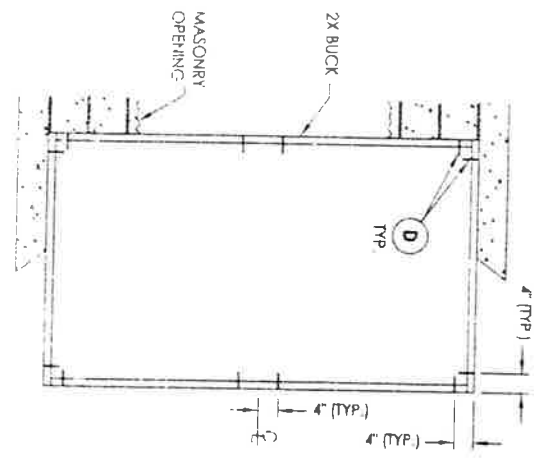
NO.	DATE	REVISIONS	BY
4	2/25/15	UPDATE TO 5TH ED. (2014) FBC	JK
3	7/3/14	UPDATED DESIGN PRESSURES	LFS
2	4/21/14	UPDATED DESIGN PRESSURES	LFS
1	1/23/14	ADDED FRAME SIZES	LFS

PRODUCT: DOUBLE HUNG WINDOW
 PART OR ASSEMBLY: VERTICAL CROSS SECTIONS

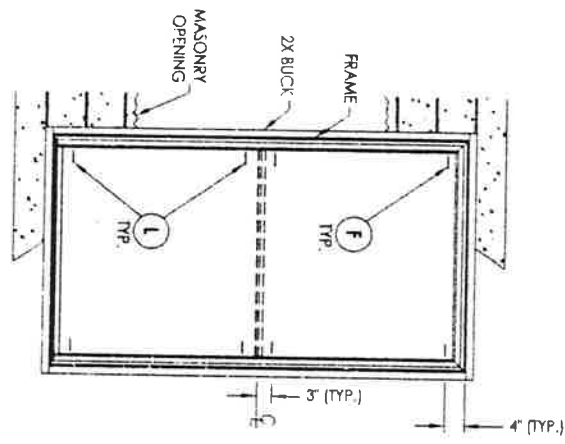
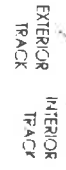
Documents Prepared By:
 Lyndon F. Schmidt
 P.E. No. 43408

RW BUILDING CONSULTANTS, INC.
 P.O. Box 230, Valrico, FL 33595
 Phone No.: 813.859.9197
 FBPE C.A. No. 9813

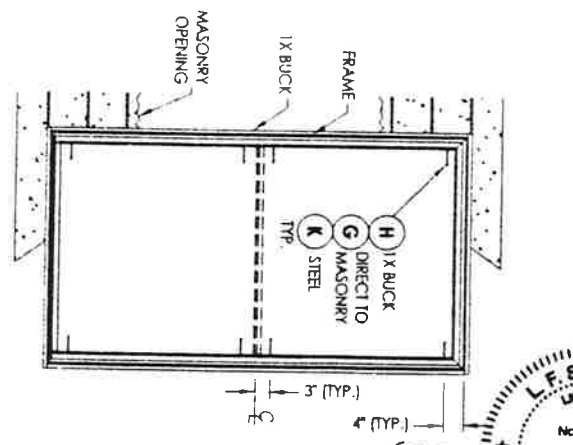
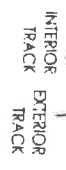




BUCK ANCHORING



FRAME ANCHORING
[2x Buck]



FRAME ANCHORING
[1x Buck Direct to Masonry, Steel Stud]

CONCRETE ANCHOR NOTES:

- 1 Concrete anchor locations on the corners may be adjusted to maintain the min. edge distance to masonry joints.
- 2 Concrete anchor locations noted as "MAX. ON CENTER" must be adjusted to maintain the min. edge distance to masonry joints, additional concrete anchors may be required to ensure the "MAX. ON CENTER" dimension are not exceeded.
- 3 Concrete anchors shall:

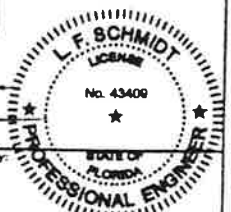
ANCHOR TYPE	ANCHOR SIZE	MIN. EMBEDMENT	MIN. CLEARANCE TO MASONRY EDGE	MIN. CLEARANCE TO ADJACENT ANCHOR
ITW TAPCON®	1/4"	1-1/4"	2"	4"
EICO ULTRACON	1/4"	1-1/4"	1"	4"

- 1 Maintain a minimum 5/8" edge distance, 1" and distance, & 1" o.c. spacing of wood screws to prevent the splitting of wood.

NO.	DATE	REVISIONS	BY
4	2/25/15	UPDATE TO 5TH ED. (2014) FBC	JN
3	7/3/14	UPDATED DESIGN PRESSURES	LFS
2	4/21/14	UPDATED DESIGN PRESSURES	LFS
1	1/23/14	ADDED FRAME SIZES	LFS

PRODUCT: DOUBLE HUNG WINDOW
PART OR ASSEMBLY: BUCK & FRAME ANCHORING

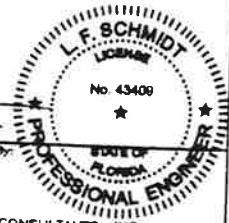
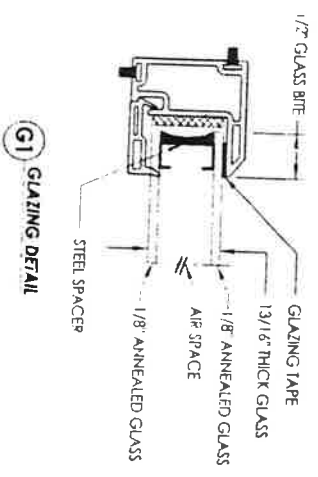
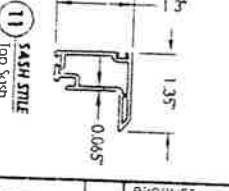
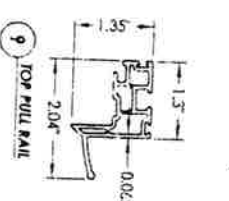
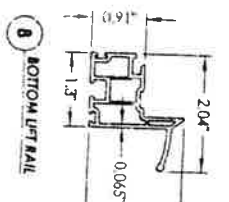
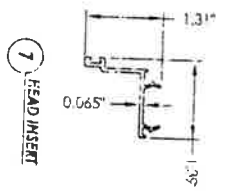
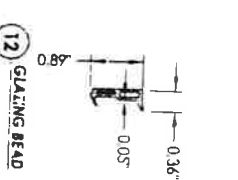
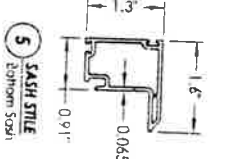
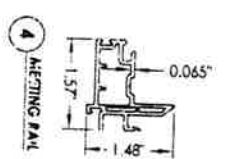
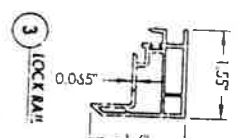
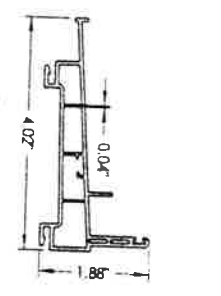
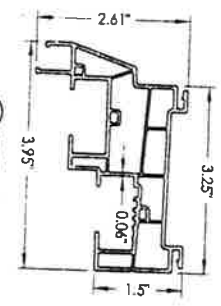
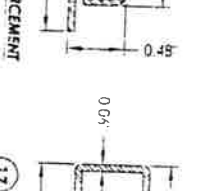
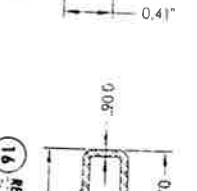
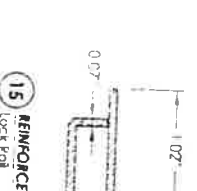
Documents Prepared By: Lyndon F. Schmidt P.E. No. 43409
BUILDING CONSULTANTS, INC.
P.O. Box 230, Valrico, FL 33595
Phone No.: 813.659.9197
FBPE C.A. No. 9813



BILL OF MATERIALS

ITEM #	DESCRIPTION	MATERIAL
A	1X BUICK SG >= 0.42	WOOD
B	2X BUICK SG >= 0.42	WOOD
C	1/4" MAX. SHIM SPACE	WOOD
D	1/4" X 2-3/4" PH ELCO OR ITW CONCRETE SCREW	STEEL
E	MASONRY - 3,000 PSI MIN. CONCRETE CONFORMING TO ACI 301 OR HOLLOW BLOCK CONFORMING TO ASTM C90	CONCRETE
F	#10 X 2-1/2" PH WOOD SCREW	STEEL
G	1/4" X 2-3/4" PH ELCO OR ITW CONCRETE SCREW	STEEL
H	1/4" X 3-1/4" PH ELCO OR ITW CONCRETE SCREW	STEEL
K	#10 PH SELF-DRILLING SWS	STEEL
L	#10 X 2-1/4" PH WOOD SCREW	STEEL
X	STEEL STUD MIN. THK .033" (ASTM A653 GRADE 33 Fy=33 KSI MIN. Fu=45 KSI MIN)	STEEL
1	EXTRUDED VINYL HEAD AND JAMB	RIGID PVC
2	EXTRUDED VINYL SILL	RIGID PVC
3	EXTRUDED VINYL LOCK RAIL	RIGID PVC
4	EXTRUDED VINYL MEETING RAIL	RIGID PVC
5	EXTRUDED VINYL SASH STILE (BOTTOM SASH)	RIGID PVC
6	EXTRUDED VINYL HEAD INSERT	RIGID PVC
8	EXTRUDED VINYL BOTTOM LIFT RAIL	RIGID PVC
9	EXTRUDED VINYL TOP PULL RAIL	RIGID PVC
10	BALANCE COVER	RIGID PVC
11	EXTRUDED VINYL SASH STILE (TOP SASH)	RIGID PVC
12	GLAZING BEAD	RIGID PVC
14	REINFORCEMENT - MEETING RAIL	STEEL
15	REINFORCEMENT - LOCK RAIL	STEEL
16	REINFORCEMENT - SASH STILE	STEEL
17	REINFORCEMENT - MED STILE	STEEL
18	WEATHER STRIP (FIN PIE)	STEEL
19	WEATHER STRIP (VINYL BEAD)	STEEL
20	CAM LOCK	STEEL

* THE APPROVED WHITE RIGID PVC EXTERIOR EXTENSIONS FOR WINDOWS ARE TO BE PRODUCED BY EXTRUDERS LICENSED IN FLORIDA UNDER APPROVED PROGRAM FOR RIGID PVC EXTENSIONS



Documents Prepared By:
 Lyndon F. Schmidt
 P.E. No. 43409
 R.W. BUILDING CONSULTANTS, INC.
 P.O. Box 230, Valrico, FL 33595
 Phone No.: 813.859.9197
 FBPE C.A. No. 9813

REVISIONS		PRODUCT	DATE	BY
4	2/25/15	UPDATE TO 5TH ED. (2014) FBC	JFK	
3	7/3/14	UPDATED DESIGN PRESSURES	LFS	
2	4/21/14	UPDATED DESIGN PRESSURES	LFS	
1	1/23/14	ADDED FRAME SIZES	LFS	
NO	DATE			

DOUBLE HUNG WINDOW
 PART OR ASSEMBLY
 BILL OF MATERIALS, COMPONENTS AND GLAZING DETAIL

DRAWING NO. FL-11220.14
 SHEET 5 OF 5

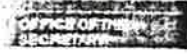


Florida Department of Business & Professional Regulation | BCIS Home | Log In | User Registration | Hot Topics | Submit Surcharge | Stats & Facts | Publications | FBC Staff | BCIS Site Map | Links | Search :



Product Approval
USER: Public User

License efficiently. Regulate fairly. | [Product Approval Menu](#) > [Product or Application Search](#) > [Application List](#) > [Application Detail](#)



FL #	FL11141-R13												
Application Type	Revision <input checked="" type="checkbox"/>												
Code Version	2014												
Application Status	Approved												
Comments	Archived												
Product Manufacturer Address/Phone/Email	Associated Materials Inc. 3773 State Road Cuyahoga Falls, OH 44223 (330) 922-2108 mfernbaugh@alside.com												
Authorized Signature	Vivian Wright rickw@rwbldgconsultants.com												
Technical Representative Address/Phone/Email													
Quality Assurance Representative Address/Phone/Email													
Category	Windows												
Subcategory	Horizontal Slider												
Compliance Method	Evaluation Report from a Florida Registered Architect or a Licensed Florida Professional Engineer <input checked="" type="checkbox"/> Evaluation Report - Hardcopy Received												
Florida Engineer or Architect Name who developed the Evaluation Report	Lyndon F. Schmidt, P.E.												
Florida License	PE-43409												
Quality Assurance Entity	Architectural Testing, Inc.												
Quality Assurance Contract Expiration Date	12/31/2018												
Validated By	Ryan J. King, P.E. <input checked="" type="checkbox"/> Validation Checklist - Hardcopy Received												
Certificate of Independence	FL11141_R13_COI_Certificate Of Independence (2).pdf												
Referenced Standard and Year (of Standard)	<table border="0"> <thead> <tr> <th>Standard</th> <th>Year</th> </tr> </thead> <tbody> <tr> <td>AAMA/WDMA/CSA 101/I.S. 2/A440</td> <td>2008</td> </tr> <tr> <td>AAMA/WDMA/CSA101/I.S. 2/A440</td> <td>2005</td> </tr> <tr> <td>ASTM E1886</td> <td>2005</td> </tr> <tr> <td>ASTM E1996</td> <td>2005</td> </tr> <tr> <td>ASTM E1996</td> <td>2006</td> </tr> </tbody> </table>	Standard	Year	AAMA/WDMA/CSA 101/I.S. 2/A440	2008	AAMA/WDMA/CSA101/I.S. 2/A440	2005	ASTM E1886	2005	ASTM E1996	2005	ASTM E1996	2006
Standard	Year												
AAMA/WDMA/CSA 101/I.S. 2/A440	2008												
AAMA/WDMA/CSA101/I.S. 2/A440	2005												
ASTM E1886	2005												
ASTM E1996	2005												
ASTM E1996	2006												
Equivalence of Product Standards Certified By													
Sections from the Code													

Product Approval Method Method 1 Option D

Date Submitted 08/19/2015
 Date Validated 08/24/2015
 Date Pending FBC Approval 08/26/2015
 Date Approved 10/16/2015

Summary of Products

Go to Page

FL #	Model, Number or Name	Description
11141.41	zo. Model 3009 ST	Extruded PVC Horizontal Sliding Window utilizing the "Med-Med" Sash - (Equal Light XOX Configuration)
Limits of Use Approved for use in HVHZ: No Approved for use outside HVHZ: Yes Impact Resistant: No Design Pressure: N/A Other: See INST 11141.41 for Design Pressure Ratings, any additional use limitations, installation instructions and product particulars.		Installation Instructions FL11141 R13 II Inst 11141.41.pdf Verified By: Lyndon F. Schmidt, P.E. 43409 Created by Independent Third Party: Yes Evaluation Reports FL11141 R13 AE Eval 11141.41.pdf Created by Independent Third Party: Yes
11141.42	zp. Model O3A3 ST	Extruded PVC Horizontal Sliding Window utilizing the "Sm-Sm" Sash - (Equal Light XOX Configuration)
Limits of Use Approved for use in HVHZ: No Approved for use outside HVHZ: Yes Impact Resistant: No Design Pressure: N/A Other: See INST 11141.42 for Design Pressure Ratings, any additional use limitations, installation instructions and product particulars.		Installation Instructions FL11141 R13 II Inst 11141.42.pdf Verified By: Lyndon F. Schmidt, P.E. 43409 Created by Independent Third Party: Yes Evaluation Reports FL11141 R13 AE Eval 11141.42.pdf Created by Independent Third Party: Yes
11141.43	zq. Model O3A3 ST	Extruded PVC Horizontal Sliding Window utilizing the "Med-Med" Sash - (Equal Light XOX Configuration)
Limits of Use Approved for use in HVHZ: No Approved for use outside HVHZ: Yes Impact Resistant: No Design Pressure: N/A Other: See INST 11141.43 for Design Pressure Ratings, any additional use limitations, installation instructions and product particulars.		Installation Instructions FL11141 R13 II Inst 11141.43.pdf Verified By: Lyndon F. Schmidt, P.E. 43409 Created by Independent Third Party: Yes Evaluation Reports FL11141 R13 AE Eval 11141.43.pdf Created by Independent Third Party: Yes

Go to Page

[Back](#) [Next](#)

Contact Us :: [1940 North Monroe Street, Tallahassee, FL 32399](#) Phone: 850-487-1824

The State of Florida is an AA/EEO employer. [Copyright 2007-2013 State of Florida](#). :: [Privacy Statement](#) :: [Accessibility Statement](#) :: [Refund Statement](#)

Under Florida law, email addresses are public records. If you do not want your e-mail address released in response to a public-records request, do not send electronic mail to this entity. Instead, contact the office by phone or by traditional mail. If you have any questions, please contact 850.487.1395. *Pursuant to Section 455.275(1), Florida Statutes, effective October 1, 2012, licensees licensed under Chapter 455, F.S., must provide the Department with an email address if they have one. The emails provided may be used for official communication with the licensee. However email addresses are public record. If you do not wish to supply a personal address, please provide the Department with an email address which can be made available to the public. To determine if you are a licensee under Chapter 455, F.S., please click [here](#).

Product Approval Acceptance

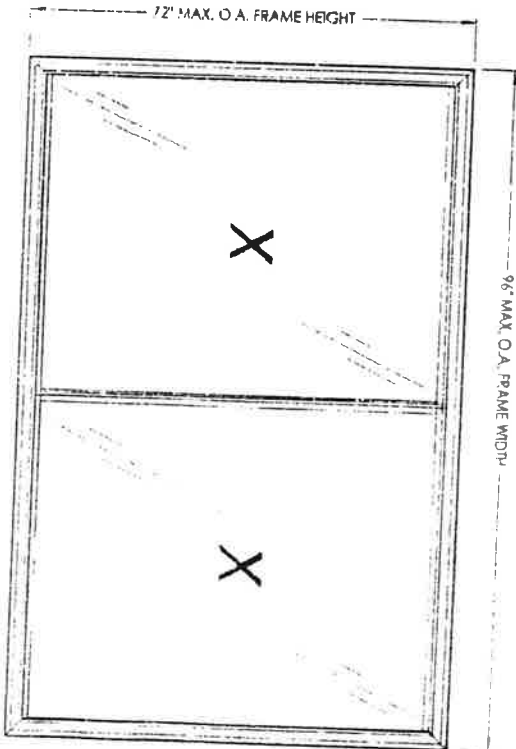


**MODEL 3002
 HORIZONTAL SLIDER
 "Sm-Sm" Sash
 "NON-IMPACT"**

GENERAL NOTES

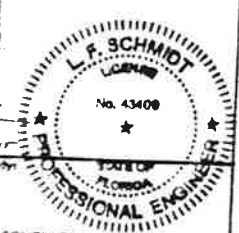
1. This product has been evaluated and it is in compliance with the 5th Edition (2014) Florida Building Code (FBC) structural requirements including the High Velocity Hurricane Force (HVHF).
2. Product anchors that are installed and spaced as shown on details. Anchor embedment to be per manufacturer's or be braced well dressing or thence.
3. When used in areas requiring wind borne debris protection the product is required to be protected with an impact resistant covering that complies with Section 1609.1.2 of the FBC.
4. For 2x stud framing construction, anchoring of these units shall be the same as that shown for 2x buck masonry construction.
5. Site conditions that deviate from the details of this drawing require further engineering analysis by a licensed engineer or registered architect.

SHEET #	DESCRIPTION
1	Typical elevations, design pressures, & general notes
2	Horizontal cross sections
3	Vertical cross sections
4	Buck & frame anchoring
5	Bill of materials, glazing details and components



OVERALL FRAME DIMENSION	OVERALL DAY LIGHT DIMENSION	GLASS TYPE	DESIGN PRESSURE (psf)	
			POS	NEG
96.0" x 80.0"	44.5" x 83.5"	G1	+15.0	-15.0
84.0" x 72.0"	38.5" x 65.5"		+20.0	-20.0
72.0" x 56.0"	32.5" x 49.5"		+25.0	-25.0
63.0" x 44.0"	28.0" x 37.5"		+60.0	-65.0

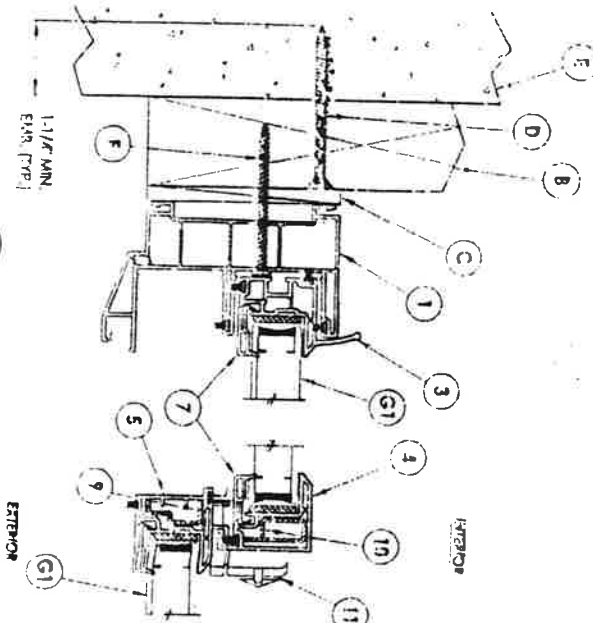
NOTE: Maximum frame size & width occur on respective units



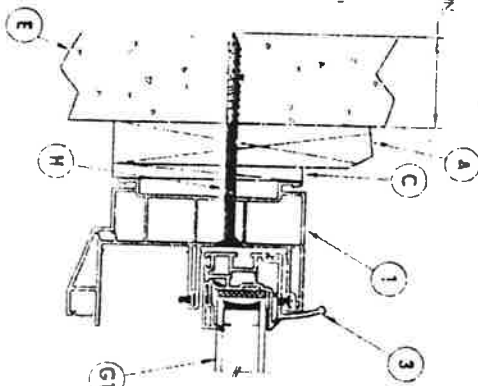
PRODUCT: HORIZONTAL SLIDER	Documents Prepared by: Lyndon F. Schmidt P.E. No. 43409
PART OR ASSEMBLY: TYPICAL ELEVATION, DESIGN PRESSURES & GENERAL NOTES	BUILDING CONSULTANTS, INC. P.O. Box 230, Valrico, FL 33595 Phone No. 813 850 0197 C/P E.C.A. No. 0813
DATE: 11/22/14 DRAWN BY: JLV CHECKED BY: JLV SCALE: N.T.S.	REVISIONS:

NOTE:
1. Locks located 10" from the top and bottom of sash for a total of 2.

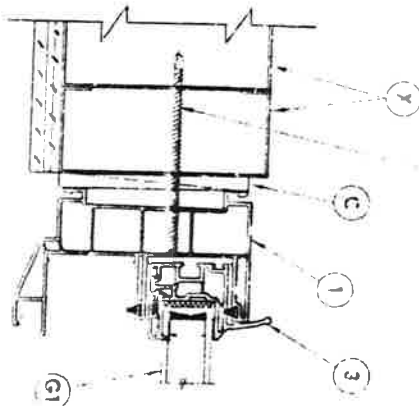
1 HORIZONTAL CROSS SECTION
2 SECTION WITH DIRECT EXTERIOR



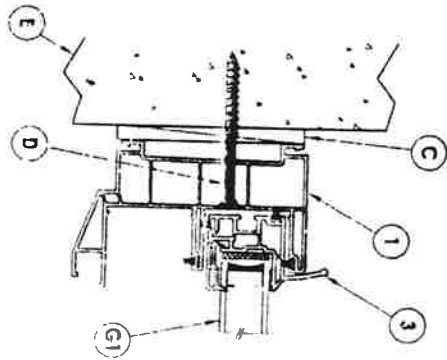
2 HORIZONTAL CROSS SECTION
2 SECTION WITH DIRECT EXTERIOR



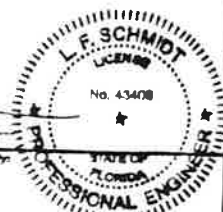
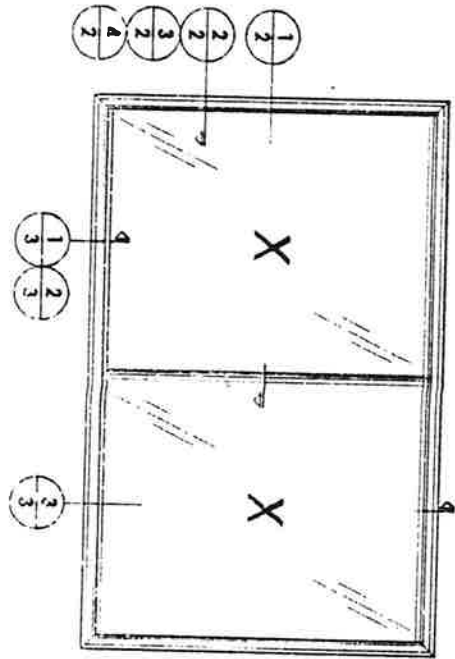
3 HORIZONTAL CROSS SECTION
2 SECTION WITH DIRECT EXTERIOR



4 HORIZONTAL CROSS SECTION
2 SECTION WITH DIRECT EXTERIOR

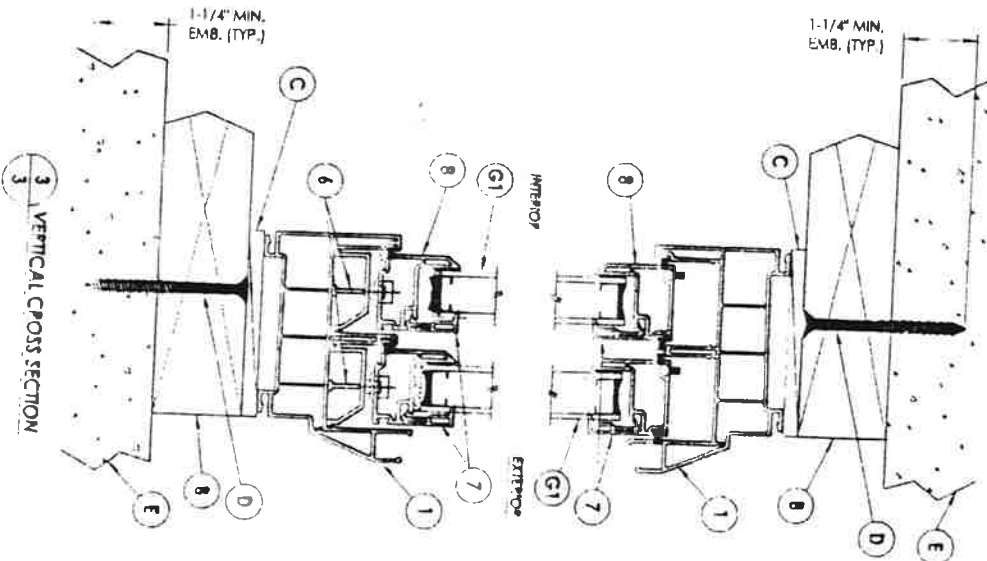
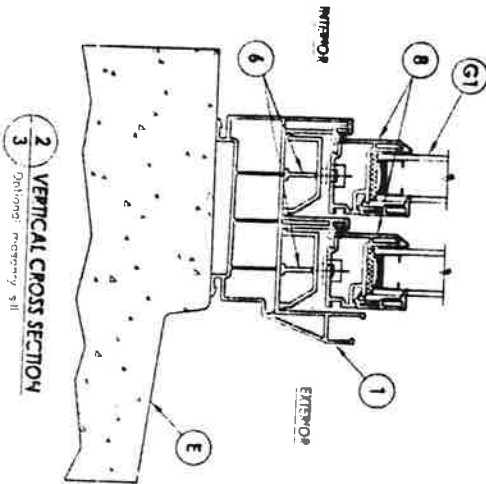
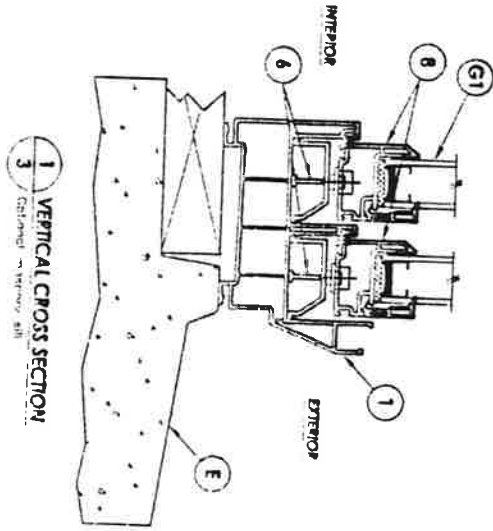


NOTE: 1. 3/4\"/>



Documents prepared by:
Lynden F. Schmidt
P.E. No. 43408
BUILDING CONSULTANTS, INC.
P.O. Box 230, Valrico, FL 33595
Phone No.: 813.659.9197
FBPE C.A. No. 9813

DATE	12/17/11	SCALE	N.T.S.									
DESIGNED BY	DATE	REVISED BY	DATE									
PROJECT	HORIZONTAL SLIDER											
DESCRIPTION	HORIZONTAL CROSS SECTIONS											
REVISIONS	<table border="1"> <tr> <th>NO.</th> <th>DATE</th> <th>DESCRIPTION</th> </tr> <tr> <td>1</td> <td></td> <td></td> </tr> <tr> <td>2</td> <td></td> <td></td> </tr> </table>			NO.	DATE	DESCRIPTION	1			2		
NO.	DATE	DESCRIPTION										
1												
2												

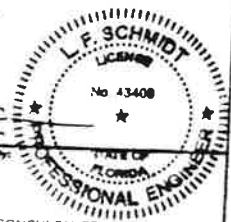


NO.	DATE	REVISIONS
1	1/22/15	ISSUED FOR PERMANENT APPROVAL
2	1/22/15	ISSUED FOR PERMANENT APPROVAL

PRODUCT: HORIZONTAL SLIDER
 PART: SLIDER
 VERTICAL CROSS SECTIONS

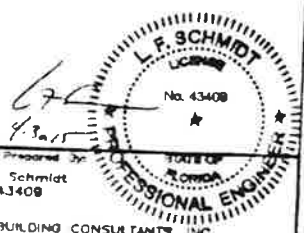
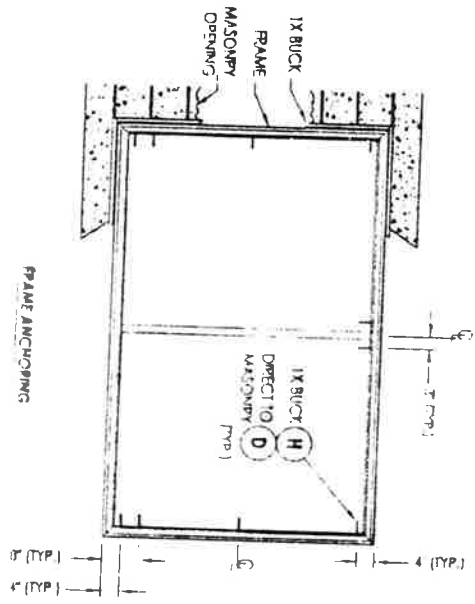
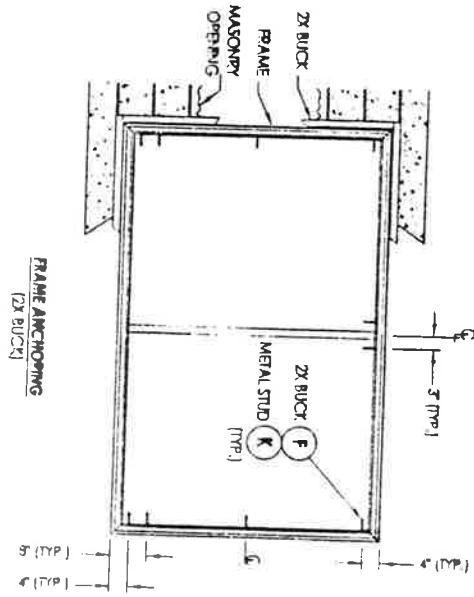
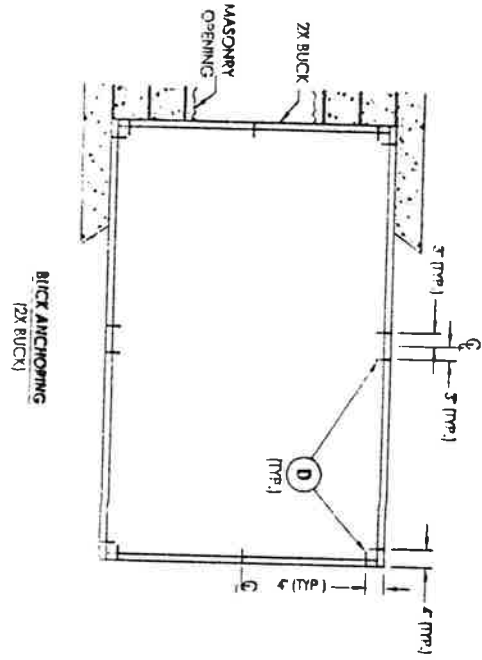
Documents Prepared by:
 Lyndon F. Schmidt
 P.E. No. 43409

RW BUILDING CONSULTANTS, INC.
 P.O. Box 130, Valrico, FL 33595
 Phone No.: 813.659.0197
 FBPE CA. No. 3813



- CONCRETE ANCHOR NOTES:**
1. Concrete anchor locations at the corners may be adjusted to maintain the min. edge distance to mortar joints.
 2. Concrete anchor locations noted as "MAX. ON CENTER" must be adjusted to maintain the min. edge distance to mortar joints, and/or concrete anchors may be required to ensure the MAX. ON CENTER dimension are not exceeded.
 3. Concrete anchor lugs:

ANCHOR TYPE	ANCHOR SIZE	MIN. EMBEDMENT	MIN. CLEARANCE TO MASONRY EDGE	MIN. CLEARANCE TO ADJACENT ANCHOR
ITW TAPCON®	1/4"	1-1/4"	2"	4"
ULTRACON®	1/4"	1-1/4"	1"	4"



NO.	DATE	BY	DESCRIPTION
1	2/17/13	JW	UPDATE TO 5TH ED. (2014) FBC
2	2/17/13	JW	ADDED FRAME SIZE
3	4/30/15	RW	REVISIONS

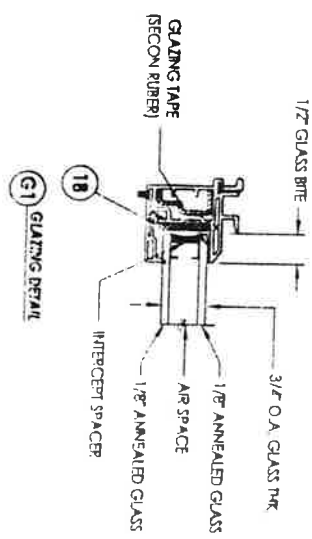
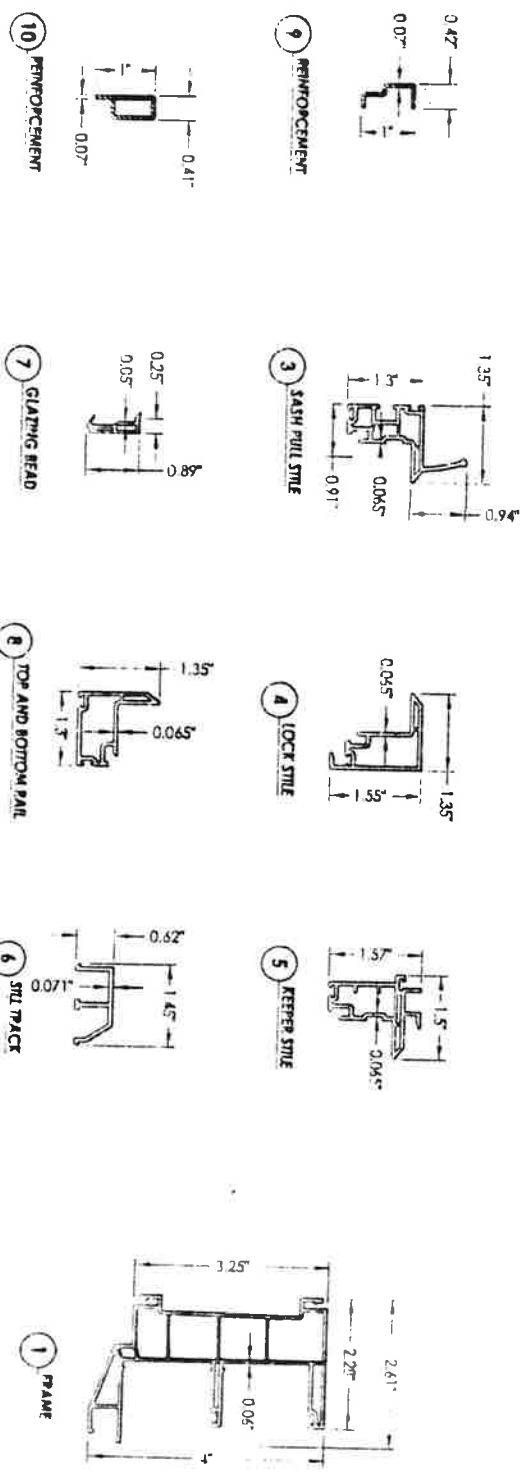
PRODUCT: HORIZONTAL SLIDER
 PART OR ASSEMBLY: BUCK & FRAME ANCHORING

Documents Prepared by: Lyndon F. Schmidt, P.E. No. 43408
 BUILDING CONSULTANTS, INC.
 P.O. Box 230, Valrico, FL 33568
 Phone No.: 813.658.8197
 FBPE CA. No. 9813

ITEM #	DESCRIPTION	MATERIAL
A	1X BUICK SG >= 0.42	WOOD
B	2X BUICK SG >= 0.42	WOOD
C	1/4" MAX. SHIM SPACE	
D	1/4" X 2-3/4" PHILICO OR ITW CONCRETE SCREW	STEEL
E	MASONRY - 3000 PSI MIN. CONCRETE CONFORMING TO ACI 301 OR HOLLOW BLOCK CONFORMING TO ASTM C90	CONCRETE
F	#8 X 2-1/2" PHH SMS	STEEL
H	1/4" X 3-3/4" PHILICO OR ITW CONCRETE SCREW	STEEL
K	#10 PH SELF-DRILLING SMS	STEEL
X	STEEL STUD MIN. THK. 0.03" (ASTM A653 GRADE 33 Fy=33 KSI MIN, Fu=45 KSI MIN)	STEEL
1	EXTRUDED VINYL FRAME	STEEL
2	EXTRUDED VINYL SASH PULL STYLE	RIGID PVC
4	EXTRUDED VINYL LOCK STYLE	RIGID PVC
5	EXTRUDED VINYL KEEPER STYLE	RIGID PVC
6	EXTRUDED VINYL SILL TRACK	RIGID PVC
7	EXTRUDED VINYL GLAZING BEAD	RIGID PVC
R	SASH REINFORCEMENT	RIGID PVC
9	SASH REINFORCEMENT	STEEL
10	SASH REINFORCEMENT	STEEL
11	LOCK	STEEL
18	SETTING BLOCK	STEEL

THE APPROVED WHITE RIGID PVC EXTERIOR EXTRUSIONS FOR WINDOWS ARE TO BE PRODUCED BY EXTRUDERS LICENSEES IN "AAMA CERTIFICATION PROGRAMS FOR RIGID PVC EXTRUSIONS."

BILL OF MATERIALS



NO.	DATE	DESCRIPTION	BY	CHK
1	12/27/15	UPDATE TO STD 10 (2014) AND 470 (2014) FOR WINDOW FRAME PSE	K	
2	NO DATE	NO DATE		

PRODUCT: HORIZONTAL SLIDER
 PART OR ASSEMBLY: BILL OF MATERIALS, GLAZING DETAIL & COMPONENTS

Documents Prepared by: Lyndon F. Schmidt, P.E. No. 43408
 BUILDING CONSULTANTS, INC.
 P.O. Box 230, Vero Beach, FL 33598
 Phone No. 813.659.0197
 FBPE C.A. No. 1813



Florida Department of Business & Professional Regulation

BCIS Home Log In User Registration Hot Topics Submit Surcharge Stats & Facts Publications FBC Staff BCIS Site Map Links Search



Product Approval
USER: Public User

Office of the Secretary

Product Approval Menu > Product or Application Search > Application List > Application Detail

FL # FL11141-R12
Application Type Revision
Code Version 2014
Application Status Approved

Comments
Archived

Product Manufacturer Associated Materials Inc.
Address/Phone/Email 3773 State Road
Cuyahoga Falls, OH 44223
(330) 922-2108
mfernbaugh@alside.com

Authorized Signature Vivian Wright
rickw@rwoldgconsultants.com

Technical Representative
Address/Phone/Email

Quality Assurance Representative
Address/Phone/Email

Category Windows
Subcategory Horizontal Slider

Compliance Method Evaluation Report from a Florida Registered Architect or a Licensed Florida Professional Engineer
Evaluation Report - Hardcopy Received

Florida Engineer or Architect Name who developed the Evaluation Report Lyndon F. Schmidt, P.E.
Florida License PE-43409
Quality Assurance Entity Architectural Testing, Inc.
Quality Assurance Contract Expiration Date 12/31/2016
Validated By Ryan J. King, P.E.
Validation Checklist - Hardcopy Received

Certificate of Independence [FL11141-R12_COI_Certificate_of_Independence.pdf](#)

Referenced Standard and Year (of Standard)	Standard	Year
	AAMA/WDMA/CSA 101/I.S.2/A440	2008
	AAMA/WDMA/CSA 101/I.S.2/A440	2005
	ASTM E1886	2005
	ASTM E1996	2005
	ASTM E1996	2006

Equivalence of Product Standards
Certified By

Sections from the Code

Product Approval Method

Method 1 Option D

Date Submitted

04/29/2015

Date Validated

04/30/2015

Date Pending FBC Approval

05/10/2015

Date Approved

06/23/2015

Summary of Products

Go to Page

Page 2 / 3

FL #	Model, Number or Name	Description
11141.21	u. Model V102	Extruded PVC Horizontal Sliding Window with Nailing Fin - (XO or OX Configuration)
Limits of Use Approved for use in HVHZ: No Approved for use outside HVHZ: Yes Impact Resistant: No Design Pressure: N/A Other: See INST 11141.21 for Design Pressure Ratings, any additional use limitations, installation instructions and product particulars.		Installation Instructions FL11141 R12 II Inst 11141.21.pdf Verified By: Lyndon F. Schmidt, P.E. 43409 Created by Independent Third Party: Yes Evaluation Reports FL11141 R12 AE Eval 11141.21.pdf Created by Independent Third Party: Yes
11141.22	v. Model V202	Extruded PVC Horizontal Sliding Window with Nailing Fin - (XO or OX Configuration)
Limits of Use Approved for use in HVHZ: No Approved for use outside HVHZ: Yes Impact Resistant: No Design Pressure: N/A Other: See INST 11141.22 for Design Pressure Ratings, any additional use limitations, installation instructions and product particulars.		Installation Instructions FL11141 R12 II Inst 11141.22.pdf Verified By: Lyndon F. Schmidt, P.E. 43409 Created by Independent Third Party: Yes Evaluation Reports FL11141 R12 AE Eval 11141.22.pdf Created by Independent Third Party: Yes
11141.23	w. Model 8002	Extruded PVC Horizontal Sliding Window - (XX Configuration)
Limits of Use Approved for use in HVHZ: No Approved for use outside HVHZ: Yes Impact Resistant: No Design Pressure: N/A Other: See INST 11141.23 for Design Pressure Ratings, any additional use limitations, installation instructions and product particulars.		Installation Instructions FL11141 R12 II Inst 11141.23.pdf Verified By: Lyndon F. Schmidt, P.E. 43409 Created by Independent Third Party: Yes Evaluation Reports FL11141 R12 AE Eval 11141.23.pdf Created by Independent Third Party: Yes
11141.24	x. Model 8003	Extruded PVC Horizontal Sliding Window - (XOX Configuration)
Limits of Use Approved for use in HVHZ: No Approved for use outside HVHZ: Yes Impact Resistant: No Design Pressure: N/A Other: See INST 11141.24 for Design Pressure Ratings, any additional use limitations, installation instructions and product particulars.		Installation Instructions FL11141 R12 II Inst 11141.24.pdf Verified By: Lyndon F. Schmidt, P.E. 43409 Created by Independent Third Party: Yes Evaluation Reports FL11141 R12 AE Eval 11141.24.pdf Created by Independent Third Party: Yes
11141.25	y. Model 9002	Extruded PVC Horizontal Sliding Window - (XX Configuration)
Limits of Use Approved for use in HVHZ: No Approved for use outside HVHZ: Yes Impact Resistant: No Design Pressure: N/A Other: See INST 11141.25 for Design Pressure Ratings, any additional use limitations, installation instructions and product particulars.		Installation Instructions FL11141 R12 II Inst 11141.25.pdf Verified By: Lyndon F. Schmidt, P.E. 43409 Created by Independent Third Party: Yes Evaluation Reports FL11141 R12 AE Eval 11141.25.pdf Created by Independent Third Party: Yes
11141.26	z. Model 9003	Extruded PVC Horizontal Sliding Window - (XOX Configuration)
Limits of Use Approved for use in HVHZ: No Approved for use outside HVHZ: Yes Impact Resistant: No Design Pressure: N/A		Installation Instructions FL11141 R12 II Inst 11141.26.pdf Verified By: Lyndon F. Schmidt, P.E. 43409 Created by Independent Third Party: Yes Evaluation Reports

<p>Other: See INST 11141.26 for Design Pressure Ratings, any additional use limitations, installation instructions and product particulars.</p>		<p>FL11141 R12 AE Eval 11141.26.pdf Created by Independent Third Party: Yes</p>
11141.27	za. Model 02A9	<p>Extruded PVC Horizontal Sliding Window - (XOX Configuration)</p> <p>Limits of Use Approved for use in HVHZ: No Approved for use outside HVHZ: Yes Impact Resistant: No Design Pressure: N/A Other: See INST 11141.27 for Design Pressure Ratings, any additional use limitations, installation instructions and product particulars.</p> <p>Installation Instructions FL11141 R12 II Inst 11141.27.pdf Verified By: Lyndon F. Schmidt, P.E. 43409 Created by Independent Third Party: Yes Evaluation Reports FL11141 R12 AE Eval 11141.27.pdf Created by Independent Third Party: Yes</p>
11141.28	zb. Model 0109	<p>Extruded PVC Horizontal Sliding Window with Nailing Fin - (XOX Configuration)</p> <p>Limits of Use Approved for use in HVHZ: No Approved for use outside HVHZ: Yes Impact Resistant: No Design Pressure: N/A Other: See INST 11141.28 for Design Pressure Ratings, any additional use limitations, installation instructions and product particulars.</p> <p>Installation Instructions FL11141 R12 II Inst 11141.28.pdf Verified By: Lyndon F. Schmidt, P.E. 43409 Created by Independent Third Party: Yes Evaluation Reports FL11141 R12 AE Eval 11141.28.pdf Created by Independent Third Party: Yes</p>
11141.29	zc. Model 0709	<p>Extruded PVC Horizontal Sliding Window - (XOX Configuration)</p> <p>Limits of Use Approved for use in HVHZ: No Approved for use outside HVHZ: Yes Impact Resistant: No Design Pressure: N/A Other: See INST 11141.29 for Design Pressure Ratings, any additional use limitations, installation instructions and product particulars.</p> <p>Installation Instructions FL11141 R12 II Inst 11141.29.pdf Verified By: Lyndon F. Schmidt, P.E. 43409 Created by Independent Third Party: Yes Evaluation Reports FL11141 R12 AE Eval 11141.29.pdf Created by Independent Third Party: Yes</p>
11141.30	zd. Model V103	<p>Extruded PVC Horizontal Sliding Window with Nailing Fin - (XOX Configuration)</p> <p>Limits of Use Approved for use in HVHZ: No Approved for use outside HVHZ: Yes Impact Resistant: No Design Pressure: N/A Other: See INST 11141.30 for Design Pressure Ratings, any additional use limitations, installation instructions and product particulars.</p> <p>Installation Instructions FL11141 R12 II Inst 11141.30.pdf Verified By: Lyndon F. Schmidt, P.E. 43409 Created by Independent Third Party: Yes Evaluation Reports FL11141 R12 AE Eval 11141.30.pdf Created by Independent Third Party: Yes</p>
11141.31	ze. Model V109	<p>Extruded PVC Horizontal Sliding Window - (XOX Configuration)</p> <p>Limits of Use Approved for use in HVHZ: No Approved for use outside HVHZ: Yes Impact Resistant: No Design Pressure: N/A Other: See INST 11141.31 for Design Pressure Ratings, any additional use limitations, installation instructions and product particulars.</p> <p>Installation Instructions FL11141 R12 II Inst 11141.31.pdf Verified By: Lyndon F. Schmidt, P.E. 43409 Created by Independent Third Party: Yes Evaluation Reports FL11141 R12 AE Eval 11141.31.pdf Created by Independent Third Party: Yes</p>
11141.32	zf. Model 3002	<p>Extruded PVC Horizontal Sliding Window utilizing the "Sm-Sm" Sash - (XX Configuration)</p> <p>Limits of Use Approved for use in HVHZ: No Approved for use outside HVHZ: Yes Impact Resistant: No Design Pressure: N/A Other: See INST 11141.32 for Design Pressure Ratings, any additional use limitations, installation instructions and product particulars.</p> <p>Installation Instructions FL11141 R12 II Inst 11141.32.pdf Verified By: Lyndon F. Schmidt, P.E. 43409 Created by Independent Third Party: Yes Evaluation Reports FL11141 R12 AE Eval 11141.32.pdf Created by Independent Third Party: Yes</p>
11141.33	zg. Model 3002	<p>Extruded PVC Horizontal Sliding Window utilizing the "Med-Med" Sash - (XX Configuration)</p> <p>Limits of Use Approved for use in HVHZ: No Approved for use outside HVHZ: Yes Impact Resistant: No Design Pressure: N/A</p> <p>Installation Instructions FL11141 R12 II Inst 11141.33.pdf Verified By: Lyndon F. Schmidt, P.E. 43409 Created by Independent Third Party: Yes Evaluation Reports</p>

Other: See INST 11141.33 for Design Pressure Ratings, any additional use limitations, installation instructions and product particulars.		FL11141 R12 AE Eval 11141.33.pdf Created by Independent Third Party: Yes
11141.34	zh. Model O3A2	Extruded PVC Horizontal Sliding Window utilizing the "Sm-Sm" Sash - (XO or OX Configurations)
Limits of Use Approved for use in HVHZ: No Approved for use outside HVHZ: Yes Impact Resistant: No Design Pressure: N/A Other: See INST 11141.34 for Design Pressure Ratings, any additional use limitations, installation instructions and product particulars.		Installation Instructions FL11141 R12 II Inst 11141.34.pdf Verified By: Lyndon F. Schmidt, P.E. 43409 Created by Independent Third Party: Yes Evaluation Reports FL11141 R12 AE Eval 11141.34.pdf Created by Independent Third Party: Yes
11141.35	zi. Model O3A2	Extruded PVC Horizontal Sliding Window utilizing the "Med-Med" Sash - (XO or OX Configurations)
Limits of Use Approved for use in HVHZ: No Approved for use outside HVHZ: Yes Impact Resistant: No Design Pressure: N/A Other: See INST 11141.35 for Design Pressure Ratings, any additional use limitations, installation instructions and product particulars.		Installation Instructions FL11141 R12 II Inst 11141.35.pdf Verified By: Lyndon F. Schmidt, P.E. 43409 Created by Independent Third Party: Yes Evaluation Reports FL11141 R12 AE Eval 11141.35.pdf Created by Independent Third Party: Yes
11141.36	zj. Model O3A9	Extruded PVC Horizontal Sliding Window utilizing the "Sm-Sm" Sash - (Equal Light XOX Configuration)
Limits of Use Approved for use in HVHZ: No Approved for use outside HVHZ: Yes Impact Resistant: No Design Pressure: N/A Other: See INST 11141.36 for Design Pressure Ratings, any additional use limitations, installation instructions and product particulars.		Installation Instructions FL11141 R12 II Inst 11141.36.pdf Verified By: Lyndon F. Schmidt, P.E. 43409 Created by Independent Third Party: Yes Evaluation Reports FL11141 R12 AE Eval 11141.36.pdf Created by Independent Third Party: Yes
11141.37	zk. Model O3A9	Extruded PVC Horizontal Sliding Window utilizing the "Med-Med" Sash - (Equal Light XOX Configuration)
Limits of Use Approved for use in HVHZ: No Approved for use outside HVHZ: Yes Impact Resistant: No Design Pressure: N/A Other: See INST 11141.37 for Design Pressure Ratings, any additional use limitations, installation instructions and product particulars.		Installation Instructions FL11141 R12 II Inst 11141.37.pdf Verified By: Lyndon F. Schmidt, P.E. 43409 Created by Independent Third Party: Yes Evaluation Reports FL11141 R12 AE Eval 11141.37.pdf Created by Independent Third Party: Yes
11141.38	zl. Model 3003 ST	Extruded PVC Horizontal Sliding Window utilizing the "Sm-Sm" Sash - (Un-Equal Light XOX Configuration)
Limits of Use Approved for use in HVHZ: No Approved for use outside HVHZ: Yes Impact Resistant: No Design Pressure: N/A Other: See INST 11141.38 for Design Pressure Ratings, any additional use limitations, installation instructions and product particulars.		Installation Instructions FL11141 R12 II Inst 11141.38.pdf Verified By: Lyndon F. Schmidt, P.E. 43409 Created by Independent Third Party: Yes Evaluation Reports FL11141 R12 AE Eval 11141.38.pdf Created by Independent Third Party: Yes
11141.39	zm. Model 3003 ST	Extruded PVC Horizontal Sliding Window utilizing the "Med-Med" Sash - (Un-Equal Light XOX Configuration)
Limits of Use Approved for use in HVHZ: No Approved for use outside HVHZ: Yes Impact Resistant: No Design Pressure: N/A Other: See INST 11141.39 for Design Pressure Ratings, any additional use limitations, installation instructions and product particulars.		Installation Instructions FL11141 R12 II Inst 11141.39.pdf Verified By: Lyndon F. Schmidt, P.E. 43409 Created by Independent Third Party: Yes Evaluation Reports FL11141 R12 AE Eval 11141.39.pdf Created by Independent Third Party: Yes
11141.40	zn. Model 3009 ST	Extruded PVC Horizontal Sliding Window utilizing the "Sm-Sm" Sash - (Equal Light XOX Configuration)
Limits of Use Approved for use in HVHZ: No Approved for use outside HVHZ: Yes Impact Resistant: No Design Pressure: N/A		Installation Instructions FL11141 R12 II Inst 11141.40.pdf Verified By: Lyndon F. Schmidt, P.E. 43409 Created by Independent Third Party: Yes Evaluation Reports

Other: See INST 11141.40 for Design Pressure Ratings, any additional use limitations, installation instructions and product particulars.

[FL11141_R12_AE_Eval_11141.40.pdf](#)
Created by Independent Third Party: Yes

Go to Page



Contact Us :: [1940 North Monroe Street, Tallahassee, FL 32399](#) Phone: 850-487-1824

The State of Florida is an AA/EEO employer. Copyright 2007-2013 State of Florida. :: [Privacy Statement](#) :: [Accessibility Statement](#) :: [Refund Statement](#)

Under Florida law, email addresses are public records. If you do not want your e-mail address released in response to a public-records request, do not send electronic mail to this entity. Instead, contact the office by phone or by traditional mail. If you have any questions, please contact 850.487.1395. Pursuant to Section 455.275(1), Florida Statutes, effective October 1, 2012, licensees licensed under Chapter 455, F.S., must provide the Department with an email address if they have one. The emails provided may be used for official communication with the licensee. However email addresses are public record. If you do not wish to supply a personal address, please provide the Department with an email address which can be made available to the public. To determine if you are a licensee under Chapter 455, F.S., please click [here](#).

Product Approval Accepts:





Florida Department of
**Business & Professional
Regulation**

[BCIS Home](#) | [Log In](#) | [User Registration](#) | [Hot Topics](#) | [Submit Surcharge](#) | [Stats & Facts](#) | [Publications](#) | [FBC Staff](#) | [BCIS Site Map](#) | [Links](#) | [Search](#)



[Product Approval Menu](#) > [Product or Application Search](#) > [Application List](#) > [Application Detail](#)

FL #	FL11141-R13												
Application Type	Revision												
Code Version	2014												
Application Status	Approved												
Comments	Archived												
Product Manufacturer	Associated Materials Inc.												
Address/Phone/Email	3773 State Road Cuyahoga Falls, OH 44223 (330) 922-2108 mfernbaugh@alside.com												
Authorized Signature	Vivian Wright rickw@rwbldgconsultants.com												
Technical Representative													
Address/Phone/Email													
Quality Assurance Representative													
Address/Phone/Email													
Category	Windows												
Subcategory	Horizontal Slider												
Compliance Method	Evaluation Report from a Florida Registered Architect or a Licensed Florida Professional Engineer ✓ Evaluation Report - Hardcopy Received												
Florida Engineer or Architect Name who developed the Evaluation Report	Lyndon F. Schmidt, P.E.												
Florida License	PE-43409												
Quality Assurance Entity	Architectural Testing, Inc.												
Quality Assurance Contract Expiration Date	12/31/2018												
Validated By	Ryan J. King, P.E. ✓ Validation Checklist - Hardcopy Received												
Certificate of Independence	FL11141_R13_COI_Certificate Of Independence (2).pdf												
Referenced Standard and Year (of Standard)	<table border="0"> <thead> <tr> <th>Standard</th> <th>Year</th> </tr> </thead> <tbody> <tr> <td>AAMA/WDMA/CSA 101/I.S.2/A440</td> <td>2008</td> </tr> <tr> <td>AAMA/WDMA/CSA101/I.S.2/A440</td> <td>2005</td> </tr> <tr> <td>ASTM E1886</td> <td>2005</td> </tr> <tr> <td>ASTM E1996</td> <td>2005</td> </tr> <tr> <td>ASTM E1996</td> <td>2006</td> </tr> </tbody> </table>	Standard	Year	AAMA/WDMA/CSA 101/I.S.2/A440	2008	AAMA/WDMA/CSA101/I.S.2/A440	2005	ASTM E1886	2005	ASTM E1996	2005	ASTM E1996	2006
Standard	Year												
AAMA/WDMA/CSA 101/I.S.2/A440	2008												
AAMA/WDMA/CSA101/I.S.2/A440	2005												
ASTM E1886	2005												
ASTM E1996	2005												
ASTM E1996	2006												
Equivalence of Product Standards Certified By													
Sections from the Code													

Product Approval Method Method 1 Option D

Date Submitted 08/19/2015
 Date Validated 08/24/2015
 Date Pending FBC Approval 08/26/2015
 Date Approved 10/16/2015

Summary of Products

Go to Page

Page 2 / 3

FL #	Model, Number or Name	Description
11141.21	u. Model V102	Extruded PVC Horizontal Sliding Window with Nailing Fin - (XO or OX Configuration)
Limits of Use Approved for use in HVHZ: No Approved for use outside HVHZ: Yes Impact Resistant: No Design Pressure: N/A Other: See INST 11141.21 for Design Pressure Ratings, any additional use limitations, installation instructions and product particulars.		Installation Instructions FL11141 R13 II INST 11141.21.pdf Verified By: Lyndon F. Schmidt, P.E. 43409 Created by Independent Third Party: Yes Evaluation Reports FL11141 R13 AE EVAL 11141.21.pdf Created by Independent Third Party: Yes
11141.22	v. Model V202	Extruded PVC Horizontal Sliding Window with Nailing Fin - (XO or OX Configuration)
Limits of Use Approved for use in HVHZ: No Approved for use outside HVHZ: Yes Impact Resistant: No Design Pressure: N/A Other: See INST 11141.22 for Design Pressure Ratings, any additional use limitations, installation instructions and product particulars.		Installation Instructions FL11141 R13 II INST 11141.22.pdf Verified By: Lyndon F. Schmidt, P.E. 43409 Created by Independent Third Party: Yes Evaluation Reports FL11141 R13 AE EVAL 11141.22.pdf Created by Independent Third Party: Yes
11141.23	w. Model 8002	Extruded PVC Horizontal Sliding Window - (XX Configuration)
Limits of Use Approved for use in HVHZ: No Approved for use outside HVHZ: Yes Impact Resistant: No Design Pressure: N/A Other: See INST 11141.23 for Design Pressure Ratings, any additional use limitations, installation instructions and product particulars.		Installation Instructions FL11141 R13 II INST 11141.23.pdf Verified By: Lyndon F. Schmidt, P.E. 43409 Created by Independent Third Party: Yes Evaluation Reports FL11141 R13 AE EVAL 11141.23.pdf Created by Independent Third Party: Yes
11141.24	x. Model 8003	Extruded PVC Horizontal Sliding Window - (XOX Configuration)
Limits of Use Approved for use in HVHZ: No Approved for use outside HVHZ: Yes Impact Resistant: No Design Pressure: N/A Other: See INST 11141.24 for Design Pressure Ratings, any additional use limitations, installation instructions and product particulars.		Installation Instructions FL11141 R13 II INST 11141.24.pdf Verified By: Lyndon F. Schmidt, P.E. 43409 Created by Independent Third Party: Yes Evaluation Reports FL11141 R13 AE EVAL 11141.24.pdf Created by Independent Third Party: Yes
11141.25	y. Model 9002	Extruded PVC Horizontal Sliding Window - (XX Configuration)
Limits of Use Approved for use in HVHZ: No Approved for use outside HVHZ: Yes Impact Resistant: No Design Pressure: N/A Other: See INST 11141.25 for Design Pressure Ratings, any additional use limitations, installation instructions and product particulars.		Installation Instructions FL11141 R13 II INST 11141.25.pdf Verified By: Lyndon F. Schmidt, P.E. 43409 Created by Independent Third Party: Yes Evaluation Reports FL11141 R13 AE EVAL 11141.25.pdf Created by Independent Third Party: Yes
11141.26	z. Model 9003	Extruded PVC Horizontal Sliding Window - (XOX Configuration)
Limits of Use Approved for use in HVHZ: No Approved for use outside HVHZ: Yes Impact Resistant: No		Installation Instructions FL11141 R13 II INST 11141.26.pdf Verified By: Lyndon F. Schmidt, P.E. 43409 Created by Independent Third Party: Yes

Design Pressure: N/A	Evaluation Reports
Other: See INST 11141.26 for Design Pressure Ratings, any additional use limitations, installation instructions and product particulars.	FL11141 R13 AE EVAL 11141.26.pdf Created by Independent Third Party: Yes
11141.27	za. Model 02A9
Extruded PVC Horizontal Sliding Window - (XOX Configuration)	
Limits of Use Approved for use in HVHZ: No Approved for use outside HVHZ: Yes Impact Resistant: No Design Pressure: N/A Other: See INST 11141.27 for Design Pressure Ratings, any additional use limitations, installation instructions and product particulars.	Installation Instructions FL11141 R13 II INST 11141.27.pdf Verified By: Lyndon F. Schmidt, P.E. 43409 Created by Independent Third Party: Yes Evaluation Reports FL11141 R13 AE EVAL 11141.27.pdf Created by Independent Third Party: Yes
11141.28	zb. Model 0109
Extruded PVC Horizontal Sliding Window with Nailing Fin - (XOX Configuration)	
Limits of Use Approved for use in HVHZ: No Approved for use outside HVHZ: Yes Impact Resistant: No Design Pressure: N/A Other: See INST 11141.28 for Design Pressure Ratings, any additional use limitations, installation instructions and product particulars.	Installation Instructions FL11141 R13 II INST 11141.28.pdf Verified By: Lyndon F. Schmidt, P.E. 43409 Created by Independent Third Party: Yes Evaluation Reports FL11141 R13 AE EVAL 11141.28.pdf Created by Independent Third Party: Yes
11141.29	zc. Model 0709
Extruded PVC Horizontal Sliding Window - (XOX Configuration)	
Limits of Use Approved for use in HVHZ: No Approved for use outside HVHZ: Yes Impact Resistant: No Design Pressure: N/A Other: See INST 11141.29 for Design Pressure Ratings, any additional use limitations, installation instructions and product particulars.	Installation Instructions FL11141 R13 II INST 11141.29.pdf Verified By: Lyndon F. Schmidt, P.E. 43409 Created by Independent Third Party: Yes Evaluation Reports FL11141 R13 AE EVAL 11141.29.pdf Created by Independent Third Party: Yes
11141.30	zd. Model V103
Extruded PVC Horizontal Sliding Window with Nailing Fin - (XOX Configuration)	
Limits of Use Approved for use in HVHZ: No Approved for use outside HVHZ: Yes Impact Resistant: No Design Pressure: N/A Other: See INST 11141.30 for Design Pressure Ratings, any additional use limitations, installation instructions and product particulars.	Installation Instructions FL11141 R13 II INST 11141.30.pdf Verified By: Lyndon F. Schmidt, P.E. 43409 Created by Independent Third Party: Yes Evaluation Reports FL11141 R13 AE EVAL 11141.30.pdf Created by Independent Third Party: Yes
11141.31	ze. Model V109
Extruded PVC Horizontal Sliding Window - (XOX Configuration)	
Limits of Use Approved for use in HVHZ: No Approved for use outside HVHZ: Yes Impact Resistant: No Design Pressure: N/A Other: See INST 11141.31 for Design Pressure Ratings, any additional use limitations, installation instructions and product particulars.	Installation Instructions FL11141 R13 II INST 11141.31.pdf Verified By: Lyndon F. Schmidt, P.E. 43409 Created by Independent Third Party: Yes Evaluation Reports FL11141 R13 AE EVAL 11141.31.pdf Created by Independent Third Party: Yes
11141.32	zf. Model 3002
Extruded PVC Horizontal Sliding Window utilizing the "Sm-Sm" Sash - (XX Configuration)	
Limits of Use Approved for use in HVHZ: No Approved for use outside HVHZ: Yes Impact Resistant: No Design Pressure: N/A Other: See INST 11141.32 for Design Pressure Ratings, any additional use limitations, installation instructions and product particulars.	Installation Instructions FL11141 R13 II INST 11141.32.pdf Verified By: Lyndon F. Schmidt, P.E. 43409 Created by Independent Third Party: Yes Evaluation Reports FL11141 R13 AE EVAL 11141.32.pdf Created by Independent Third Party: Yes
11141.33	zg. Model 3002
Extruded PVC Horizontal Sliding Window utilizing the "Med-Med" Sash - (XX Configuration)	
Limits of Use Approved for use in HVHZ: No Approved for use outside HVHZ: Yes Impact Resistant: No Design Pressure: N/A	Installation Instructions FL11141 R13 II INST 11141.33.pdf Verified By: Lyndon F. Schmidt, P.E. 43409 Created by Independent Third Party: Yes Evaluation Reports

	<p>Other: See INST 11141.33 for Design Pressure Ratings, any additional use limitations, installation instructions and product particulars.</p>	<p>FL11141_R13_AE_Eval_11141.33.pdf Created by Independent Third Party: Yes</p>
11141.34	zh. Model O3A2	Extruded PVC Horizontal Sliding Window utilizing the "Sm-Sm" Sash - (XO or OX Configurations)
<p>Limits of Use Approved for use in HVHZ: No Approved for use outside HVHZ: Yes Impact Resistant: No Design Pressure: N/A Other: See INST 11141.34 for Design Pressure Ratings, any additional use limitations, installation instructions and product particulars.</p>		<p>Installation Instructions FL11141_R13_II_INST_11141.34.pdf Verified By: Lyndon F. Schmidt, P.E. 43409 Created by Independent Third Party: Yes Evaluation Reports FL11141_R13_AE_EVAL_11141.34.pdf Created by Independent Third Party: Yes</p>
11141.35	zl. Model O3A2	Extruded PVC Horizontal Sliding Window utilizing the "Med-Med" Sash - (XO or OX Configurations)
<p>Limits of Use Approved for use in HVHZ: No Approved for use outside HVHZ: Yes Impact Resistant: No Design Pressure: N/A Other: See INST 11141.35 for Design Pressure Ratings, any additional use limitations, installation instructions and product particulars.</p>		<p>Installation Instructions FL11141_R13_II_INST_11141.35.pdf Verified By: Lyndon F. Schmidt, P.E. 43409 Created by Independent Third Party: Yes Evaluation Reports FL11141_R13_AE_EVAL_11141.35.pdf Created by Independent Third Party: Yes</p>
11141.36	zj. Model O3A9	Extruded PVC Horizontal Sliding Window utilizing the "Sm-Sm" Sash - (Equal Light XOX Configuration)
<p>Limits of Use Approved for use in HVHZ: No Approved for use outside HVHZ: Yes Impact Resistant: No Design Pressure: N/A Other: See INST 11141.36 for Design Pressure Ratings, any additional use limitations, installation instructions and product particulars.</p>		<p>Installation Instructions FL11141_R13_II_INST_11141.36.pdf Verified By: Lyndon F. Schmidt, P.E. 43409 Created by Independent Third Party: Yes Evaluation Reports FL11141_R13_AE_EVAL_11141.36.pdf Created by Independent Third Party: Yes</p>
11141.37	zk. Model O3A9	Extruded PVC Horizontal Sliding Window utilizing the "Med-Med" Sash - (Equal Light XOX Configuration)
<p>Limits of Use Approved for use in HVHZ: No Approved for use outside HVHZ: Yes Impact Resistant: No Design Pressure: N/A Other: See INST 11141.37 for Design Pressure Ratings, any additional use limitations, installation instructions and product particulars.</p>		<p>Installation Instructions FL11141_R13_II_INST_11141.37.pdf Verified By: Lyndon F. Schmidt, P.E. 43409 Created by Independent Third Party: Yes Evaluation Reports FL11141_R13_AE_EVAL_11141.37.pdf Created by Independent Third Party: Yes</p>
11141.38	zl. Model 3003 ST	Extruded PVC Horizontal Sliding Window utilizing the "Sm-Sm" Sash - (Un-Equal Light XOX Configuration)
<p>Limits of Use Approved for use in HVHZ: No Approved for use outside HVHZ: Yes Impact Resistant: No Design Pressure: N/A Other: See INST 11141.38 for Design Pressure Ratings, any additional use limitations, installation instructions and product particulars.</p>		<p>Installation Instructions FL11141_R13_II_inst_11141.38.pdf Verified By: Lyndon F. Schmidt, P.E. 43409 Created by Independent Third Party: Yes Evaluation Reports FL11141_R13_AE_Eval_11141.38.pdf Created by Independent Third Party: Yes</p>
11141.39	zm. Model 3003 ST	Extruded PVC Horizontal Sliding Window utilizing the "Med-Med" Sash - (Un-Equal Light XOX Configuration)
<p>Limits of Use Approved for use in HVHZ: No Approved for use outside HVHZ: Yes Impact Resistant: No Design Pressure: N/A Other: See INST 11141.39 for Design Pressure Ratings, any additional use limitations, installation instructions and product particulars.</p>		<p>Installation Instructions FL11141_R13_II_inst_11141.39.pdf Verified By: Lyndon F. Schmidt, P.E. 43409 Created by Independent Third Party: Yes Evaluation Reports FL11141_R13_AE_Eval_11141.39.pdf Created by Independent Third Party: Yes</p>
11141.40	zn. Model 3009 ST	Extruded PVC Horizontal Sliding Window utilizing the "Sm-Sm" Sash - (Equal Light XOX Configuration)
<p>Limits of Use Approved for use in HVHZ: No Approved for use outside HVHZ: Yes Impact Resistant: No Design Pressure: N/A Other: See INST 11141.40 for Design Pressure Ratings,</p>		<p>Installation Instructions FL11141_R13_II_inst_11141.40.pdf Verified By: Lyndon F. Schmidt, P.E. 43409 Created by Independent Third Party: Yes Evaluation Reports</p>

any additional use limitations, installation instructions and product particulars.

FL11141 R13 AE Eval 11141.40.pdf
Created by Independent Third Party: Yes

Go to Page

Page 2 / 3

[Back](#) [Next](#)

Contact Us :: [1940 North Monroe Street, Tallahassee FL 32399](#) Phone: 850-487-1824

The State of Florida is an AA/EEO employer. [Copyright 2007-2013 State of Florida](#). :: [Privacy Statement](#) :: [Accessibility Statement](#) :: [Refund Statement](#)

Under Florida law, email addresses are public records. If you do not want your e-mail address released in response to a public-records request, do not send electronic mail to this entity. Instead, contact the office by phone or by traditional mail. If you have any questions, please contact 850.487.1395. *Pursuant to Section 455.275(1), Florida Statutes, effective October 1, 2012, licensees licensed under Chapter 455, F.S. must provide the Department with an email address if they have one. The emails provided may be used for official communication with the licensee. However, email addresses are public record. If you do not wish to supply a personal address, please provide the Department with an email address which can be made available to the public. To determine if you are a licensee under Chapter 455, F.S., please click [here](#).

Product Approval Accepts





Florida Department of
**Business & Professional
Regulation**

BCIS Home | Log In | User Registration | Hot Topics | Submit Surcharge | Stats & Facts | Publications | FBC Staff | BCIS Site Map | Links | Search



Product Approval
USER: Public User

License Efficiently. Regulate Fairly.

OFFICE OF THE
SECRETARY

[Product Approval Menu](#) > [Product or Application Search](#) > [Application List](#) > **Application Detail**

FL #	FL12078-R4
Application Type	Revision ✓
Code Version	2014
Application Status	Approved
Comments	
Archived	
Product Manufacturer Address/Phone/Email	Associated Materials Inc. 3773 State Road Cuyahoga Falls, OH 44223 (330) 922-2108 mfernbaugh@alside.com
Authorized Signature	Vivian Wright rickw@rwblgdgconsultants.com
Technical Representative Address/Phone/Email	
Quality Assurance Representative Address/Phone/Email	
Category Subcategory	Windows Mullions
Compliance Method	Evaluation Report from a Florida Registered Architect or a Licensed Florida Professional Engineer ✓ Evaluation Report - Hardcopy Received
Florida Engineer or Architect Name who developed the Evaluation Report	Lyndon F. Schmidt, P.E.
Florida License	PE-43409
Quality Assurance Entity	Architectural Testing, Inc.
Quality Assurance Contract Expiration Date	12/31/2016
Validated By	Ryan J. King, P.E. ✓ Validation Checklist - Hardcopy Received
Certificate of Independence	FL12078 R4 COI CERTIFICATE OF INDEPENDENCE.pdf
Referenced Standard and Year (of Standard)	
Equivalence of Product Standards Certified By	
Sections from the Code	1710.5.3

Product Approval Method

Method 2 Option B

Date Submitted 03/04/2015
 Date Validated 03/16/2015
 Date Pending FBC Approval 03/18/2015
 Date Approved 06/22/2015

Summary of Products

FL #	Model, Number or Name	Description
12078.1	a. 3100 Structural Mullion	Extruded Aluminum Clipped Mullion for use on Masonry or Wood Openings utilizing the Goal Post (at head and sill) Style Mounting Bracket
Limits of Use Approved for use in HVHZ: No Approved for use outside HVHZ: Yes Impact Resistant: Yes Design Pressure: N/A Other: Mullion Design Pressure varies according to mullion window size. Refer to EVAL 12078.1 and INST 12078.1 for Mullion Design Pressure Ratings, any additional use limitations, installation instructions and product particulars.		Installation Instructions FL12078 R4 II Inst 12078.1.pdf Verified By: Lyndon F. Schmidt, P.E. 43409 Created by Independent Third Party: Yes Evaluation Reports FL12078 R4 AE Eval 12078.1.pdf Created by Independent Third Party: Yes
12078.2	b. 3100 Structural Mullion	Extruded Aluminum Clipped Mullion for use on Wood Openings utilizing the Goal Post (at Sill) and the Bull Nose (at head) Style Mounting Brackets
Limits of Use Approved for use in HVHZ: No Approved for use outside HVHZ: Yes Impact Resistant: Yes Design Pressure: N/A Other: Mullion Design Pressure varies according to mullion window size. Refer to EVAL 12078.2 and INST 12078.2 for Mullion Design Pressure Ratings, any additional use limitations, installation instructions and product particulars.		Installation Instructions FL12078 R4 II Inst 12078.2.pdf Verified By: Lyndon F. Schmidt, P.E. 43409 Created by Independent Third Party: Yes Evaluation Reports FL12078 R4 AE Eval 12078.2.pdf Created by Independent Third Party: Yes
12078.3	c. 3100 Structural Transom Mullion	Extruded Aluminum Clipped Mullion for use on Masonry or Wood Openings utilizing the Goal Post (at head and sill) Style Mounting Bracket
Limits of Use Approved for use in HVHZ: No Approved for use outside HVHZ: Yes Impact Resistant: Yes Design Pressure: N/A Other: Mullion Design Pressure varies according to mullion window size. Refer to EVAL 12078.3 and INST 12078.3 for Mullion Design Pressure Ratings, any additional use limitations, installation instructions and product particulars.		Installation Instructions FL12078 R4 II Inst 12078.3.pdf Verified By: Lyndon F. Schmidt, P.E. 43409 Created by Independent Third Party: Yes Evaluation Reports FL12078 R4 AE Eval 12078.3.pdf Created by Independent Third Party: Yes
12078.4	d. 3100 Structural Transom Mullion	Extruded Aluminum Clipped Mullion for use on Wood Openings utilizing the Goal Post (at Sill) and the Bull Nose (at head) Style Mounting Brackets
Limits of Use Approved for use in HVHZ: No Approved for use outside HVHZ: Yes Impact Resistant: Yes Design Pressure: N/A Other: Mullion Design Pressure varies according to mullion window size. Refer to EVAL 12078.4 and INST 12078.4 for Mullion Design Pressure Ratings, any additional use limitations, installation instructions and product particulars.		Installation Instructions FL12078 R4 II Inst 12078.4.pdf Verified By: Lyndon F. Schmidt, P.E. 43409 Created by Independent Third Party: Yes Evaluation Reports FL12078 R4 AE Eval 12078.4.pdf Created by Independent Third Party: Yes
12078.5	e. "i" Series Structural Mullion	Extruded Aluminum Clipped Mullion for use on Wood and Masonry Openings utilizing the Goal Post (at Head and Sill) Style Mounting Brackets
Limits of Use Approved for use in HVHZ: No Approved for use outside HVHZ: Yes Impact Resistant: Yes Design Pressure: N/A Other: Mullion Design Pressure varies according to mullion window size. Refer to EVAL 12078.5 and INST 12078.5 for Mullion Design Pressure Ratings, any additional use limitations, installation instructions and product particulars.		Installation Instructions FL12078 R4 II Inst 12078.5.pdf Verified By: Lyndon F. Schmidt, P.E. 43409 Created by Independent Third Party: Yes Evaluation Reports FL12078 R4 AE Eval 12078.5.pdf Created by Independent Third Party: Yes

12078.6	f. "I" Series Structural Transom Mullion	Extruded Aluminum Clipped Mullion for use on Wood and Masonry Openings utilizing the Goal Post Style Mounting Brackets
Limits of Use Approved for use in HVHZ: No Approved for use outside HVHZ: Yes Impact Resistant: Yes Design Pressure: N/A Other: Mullion Design Pressure varies according to mullion window size. Refer to EVAL 12078.6 and INST 12078.6 for Mullion Design Pressure Ratings, any additional use limitations, installation instructions and product particulars.		Installation Instructions FL12078_R4_II_Inst_12078.6.pdf Verified By: Lyndon F. Schmidt, P.E. 43409 Created by Independent Third Party: Yes Evaluation Reports FL12078_R4_AE_Eval_12078.6.pdf Created by Independent Third Party: Yes
12078.7	g. "C-Class" Series Structural Mullion	Clipped Steel 2.0", 2.25" and 2.5" Bar Mullion for use on Wood and Masonry Openings
Limits of Use Approved for use in HVHZ: No Approved for use outside HVHZ: Yes Impact Resistant: Yes Design Pressure: N/A Other: Mullion Design Pressure varies according to mullion window size. Refer to EVAL 12078.7 and INST 12078.7 for Mullion Design Pressure Ratings, any additional use limitations, installation instructions and product particulars.		Installation Instructions FL12078_R4_II_Inst_12078.7.pdf Verified By: Lyndon F. Schmidt, P.E. 43409 Created by Independent Third Party: Yes Evaluation Reports FL12078_R4_AE_Eval_12078.7.pdf Created by Independent Third Party: Yes

[Back](#)
[Next](#)

[Contact Us](#) :: 1940 North Monroe Street, Tallahassee FL 32399 Phone: 850-487-1824

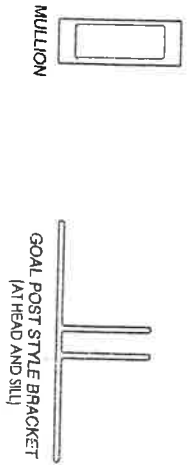
The State of Florida is an AA/EEO employer. [Copyright 2007-2013 State of Florida](#). :: [Privacy Statement](#) :: [Accessibility Statement](#) :: [Refund Statement](#)

Under Florida law, email addresses are public records. If you do not want your e-mail address released in response to a public-records request, do not send electronic mail to this entity. Instead, contact the office by phone or by traditional mail. If you have any questions, please contact 850.487.1395. *Pursuant to Section 455.275(1), Florida Statutes, effective October 1, 2012, licensees licensed under Chapter 455, F.S. must provide the Department with an email address if they have one. The emails provided may be used for official communication with the licensee. However email addresses are public record. If you do not wish to supply a personal address, please provide the Department with an email address which can be made available to the public. To determine if you are a licensee under Chapter 455, F.S., please click [here](#).

Product Approval Accepts:



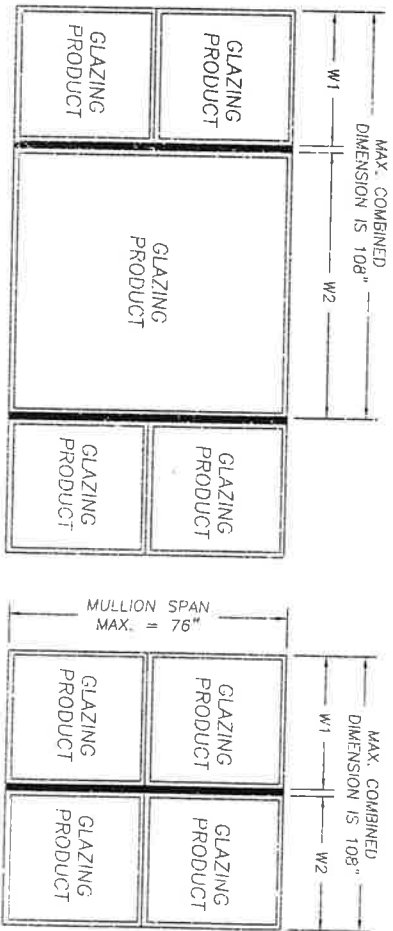
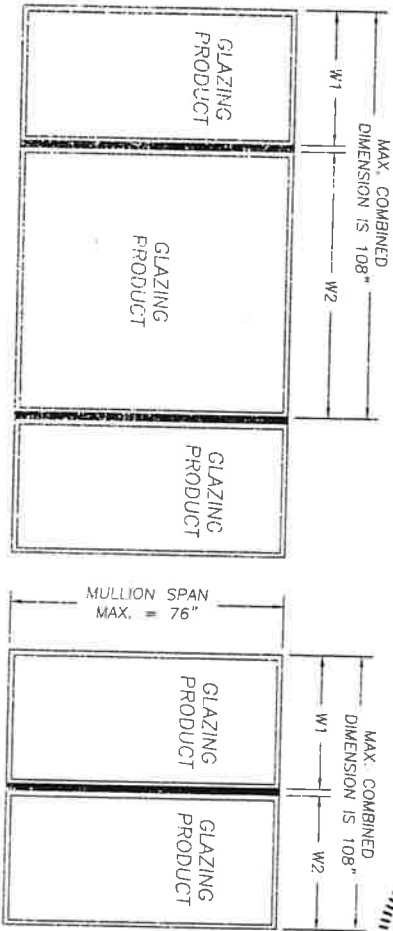
3100 STRUCTURAL MULLION



GENERAL NOTES:

- This product has been evaluated and is in compliance with the 5th Edition (2014) Florida Building Code (FBC) excluding the "High Velocity Hurricane Zone" and conforms to the requirements of FBC Chapter 17.
- Wood bucks by others, must be anchored properly to transfer loads to the structure and be reviewed by the Building Official.
- Mullion anchor embedment to base material shall be beyond well dressing or stucco.
- When used in areas requiring wind borne debris protection, this product does not require protection from an impact resistant covering when used in Wind Zones 1, 2 and 3 as defined by ASTM E 1998; in Wind Zone 4, as defined by ASTM E 1998, this product must be protected with an impact resistant covering complying with Section 1609.1.2 of the FBC.
- Separate product approvals for each glazing product used with these mullions must be submitted along with this mullion product approval.
- Anchoring of each glazing product to the mullion shall be as shown in each individual glazing product approval.
- Any conditions not covered in this evaluation are subject to separate engineering evaluation.
- Mullion Design Pressure Rating, see Load Rating Table Sheets 2 and 3 of this drawing.
- The design pressure rating of the assembly shall be the lesser of the load capacity of the mullion as determined using this approval or the design pressure rating of the individual glazing product used.
- Bounding box dimensions for geometric shapes must be equal to or less than the rectangular dimensions shown herein.

SHEET #	DESCRIPTION
1	TYPICAL ELEVATIONS & GENERAL NOTES
2	MULLION LOAD TABLE FOR WOOD SCREW ANCHORS
3	MULLION LOAD TABLE FOR CONCRETE SCREW ANCHORS
4	MULLION SECTION AND ANCHORING DETAILS

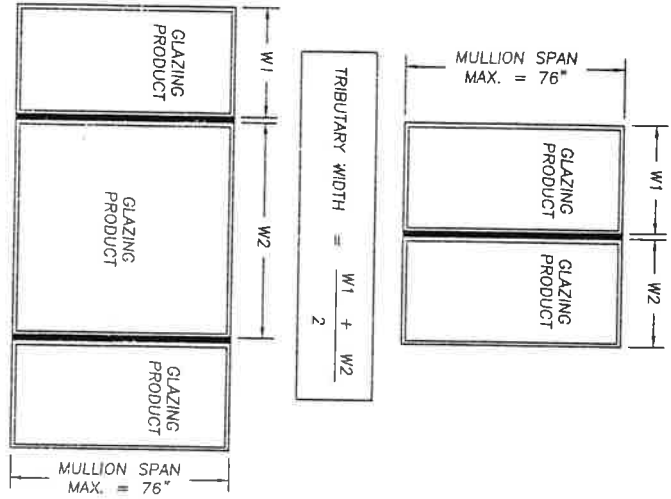
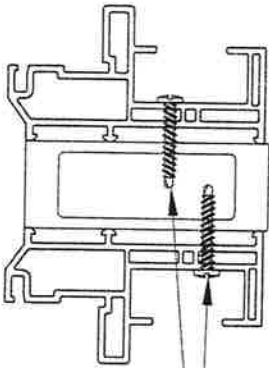


TYPICAL MULLION CONFIGURATIONS



<p>PRODUCT: 3100 STRUCTURAL MULLION</p>		<p>Documents Prepared By: Lyndon F. Schmidt P.E. No. 43409</p>													
<p>PART OR ASSEMBLY: TYPICAL ELEVATION AND GENERAL NOTES</p>		<p><i>RW</i> BUILDING CONSULTANTS, INC. P.O. Box 230, Vairco, FL 33595 Phone No.: 813.659.9197 FBPE C.A. No. 9813</p>													
<p>REVISIONS</p> <table border="1"> <thead> <tr> <th>NO.</th> <th>DATE</th> <th>DESCRIPTION</th> <th>BY</th> </tr> </thead> <tbody> <tr> <td>2</td> <td>3/03/15</td> <td>UPDATE TO 5TH ED (2014) FBC</td> <td>JK</td> </tr> <tr> <td>1</td> <td>11/08/11</td> <td>UPDATE TO 2010 FBC</td> <td>KV</td> </tr> </tbody> </table>				NO.	DATE	DESCRIPTION	BY	2	3/03/15	UPDATE TO 5TH ED (2014) FBC	JK	1	11/08/11	UPDATE TO 2010 FBC	KV
NO.	DATE	DESCRIPTION	BY												
2	3/03/15	UPDATE TO 5TH ED (2014) FBC	JK												
1	11/08/11	UPDATE TO 2010 FBC	KV												
<p>DATE: 12/11/08 SCALE: NTS DWG. BY: DWS CHL. BY: LFS DRAWING NO.: FL-12078.1 SHEET 1 OF 4</p>															

SECTION THRU MULLION & FRAME



WOOD SCREW ANCHORS	3100 STRUCTURAL MULLION LOAD TABLE (PSF)																
	28"			30"			32"			34"			36"			38"	
TRIBUTARY WIDTH																	
MULLION SPAN																	
7/8"	1"	1 1/8"	1 1/4"	1 3/8"	1 1/2"	1 5/8"	1 3/4"	1 7/8"	2"	2 1/8"	2 1/4"	2 3/8"	2 1/2"	2 5/8"	2 3/4"		
94.43	80.82	57.29	54.38	51.77	49.45	47.35	45.42	43.65	42.00	40.48	39.09	38.51	37.05	35.72	34.50		
76.25	71.78	67.87	64.43	61.39	58.64	56.14	53.83	51.71	49.75	47.93	46.24	44.20	42.41	40.78	39.20		
83.26	78.39	74.15	70.41	67.10	64.08	61.33	58.81	56.48	54.33	52.34	50.49	47.15	45.08	43.26	41.50		
91.15	85.85	81.23	77.18	73.52	70.20	67.17	64.40	61.84	59.48	57.29	55.28	51.00	48.94	46.81	44.81		
100.08	94.28	89.23	84.78	80.78	77.11	73.77	70.71	67.89	65.29	62.88	60.64	58.61	56.73	54.98	53.34		
110.20	103.98	98.33	93.42	88.97	84.92	81.23	77.85	74.73	71.88	69.20	66.73	62.28	60.04	57.98	56.03		
120.00	114.78	108.89	103.23	98.30	93.81	89.71	85.98	82.57	79.32	76.30	73.64	69.71	68.08	64.57	62.12		
120.00	120.00	120.00	120.00	120.00	120.00	120.00	120.00	120.00	120.00	120.00	120.00	120.00	120.00	120.00	120.00		
120.00	120.00	120.00	120.00	120.00	120.00	120.00	120.00	120.00	120.00	120.00	120.00	120.00	120.00	120.00	120.00		
120.00	120.00	120.00	120.00	120.00	120.00	120.00	120.00	120.00	120.00	120.00	120.00	120.00	120.00	120.00	120.00		
120.00	120.00	120.00	120.00	120.00	120.00	120.00	120.00	120.00	120.00	120.00	120.00	120.00	120.00	120.00	120.00		
120.00	120.00	120.00	120.00	120.00	120.00	120.00	120.00	120.00	120.00	120.00	120.00	120.00	120.00	120.00	120.00		
120.00	120.00	120.00	120.00	120.00	120.00	120.00	120.00	120.00	120.00	120.00	120.00	120.00	120.00	120.00	120.00		
120.00	120.00	120.00	120.00	120.00	120.00	120.00	120.00	120.00	120.00	120.00	120.00	120.00	120.00	120.00	120.00		
120.00	120.00	120.00	120.00	120.00	120.00	120.00	120.00	120.00	120.00	120.00	120.00	120.00	120.00	120.00	120.00		
120.00	120.00	120.00	120.00	120.00	120.00	120.00	120.00	120.00	120.00	120.00	120.00	120.00	120.00	120.00	120.00		
120.00	120.00	120.00	120.00	120.00	120.00	120.00	120.00	120.00	120.00	120.00	120.00	120.00	120.00	120.00	120.00		
120.00	120.00	120.00	120.00	120.00	120.00	120.00	120.00	120.00	120.00	120.00	120.00	120.00	120.00	120.00	120.00		
120.00	120.00	120.00	120.00	120.00	120.00	120.00	120.00	120.00	120.00	120.00	120.00	120.00	120.00	120.00	120.00		
120.00	120.00	120.00	120.00	120.00	120.00	120.00	120.00	120.00	120.00	120.00	120.00	120.00	120.00	120.00	120.00		
120.00	120.00	120.00	120.00	120.00	120.00	120.00	120.00	120.00	120.00	120.00	120.00	120.00	120.00	120.00	120.00		

- INSTRUCTIONS FOR USE OF THE MULLION LOAD TABLE:
- DETERMINE THE DESIGN LOAD REQUIREMENT FOR THE PARTICULAR OPENING AS SPECIFIED BY THE BUILDING DESIGNER (ARCHITECT OR ENGINEER OR RECORD).
 - FOR THE PARTICULAR OPENING, DETERMINE THE TRIBUTARY WIDTH AND MULLION SPAN. REFERENCE THE SKETCHES ON THIS SHEET FOR MULLION SPAN AND TRIBUTARY WIDTH DETERMINATION.
 - IN THE FIRST COLUMN OF THE TABLE, LOCATE THE MULLION SPAN. IN THE FIRST ROW OF THE TABLE, LOCATE THE TRIBUTARY WIDTH. AT THE INTERSECTION OF THE ROW CONTAINING THE MULLION SPAN AND THE COLUMN CONTAINING THE TRIBUTARY WIDTH, READ THE MULLION LOAD RATING GIVEN IN PSF. THE MULLION LOAD RATING MUST BE EQUAL TO OR GREATER THAN THE DESIGN LOAD REQUIREMENT DETERMINED IN STEP 1 ABOVE.

FOR ANCHORING GLAZING PRODUCTS TO THE MULLION, ANCHOR SIZE AND SPACING SHALL BE AS SPECIFIED IN ONE OF THE FOLLOWING:

- SUBSTITUTE (1 FOR 1) 1/4"-14 SELF-DRILLING SCREWS FOR THE FASTENERS SHOWN IN THE INDIVIDUAL GLAZING PRODUCT APPROVAL.
 - SUBSTITUTE #8-18 PANHEAD SELF-DRILLING SCREWS FOR THE FASTENERS SHOWN IN THE INDIVIDUAL GLAZING PRODUCT APPROVAL. MAXIMUM FASTENER SPACING ALLOWED IS 6" FROM EACH END AND AT 15" O.C. MAX. SPACING.
- NOTE: A MINIMUM OF 3 THREADS OF THE SELF-DRILLING SCREWS MUST PROTRUDE THROUGH THE WALL OF THE MULLION. THIS SECTION VIEW IS SHOWN FOR ILLUSTRATIVE PURPOSES; OTHER FRAME SECTIONS OF FLORIDA APPROVED WINDOWS BY ALSIDE WINDOWS CAN BE USED IN THIS FASHION.

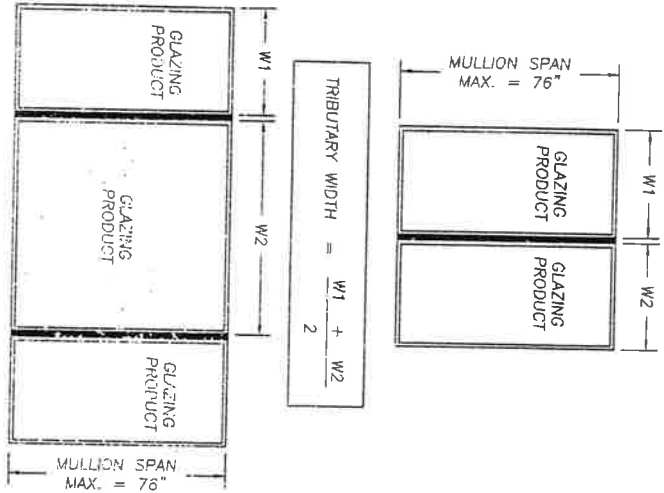
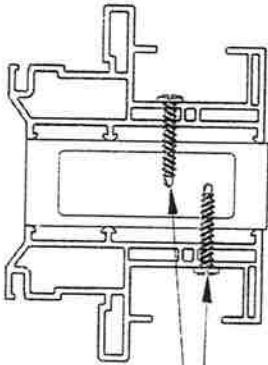


Documents Prepared By:
 Lyndon F. Schmidt
 P.E. No. 43409

RWB BUILDING CONSULTANTS, INC.
 P.O. Box 230, Vairico, FL 33595
 Phone No.: 813.659.9197
 FBPE C.A. No. 9813

PRODUCT:	3100 STRUCTURAL MULLION		DATE:	12/11/08
PART OR ASSEMBLY:	MULLION LOAD TABLE FOR WOOD SCREW ANCHORS		SCALE:	NTS
			CHK. BY:	DWS
			DATE:	3/03/15
			NO.:	2
			DATE:	11/08/11
			NO.:	1
			DATE:	
			NO.:	
			DATE:	
			NO.:	

SECTION THRU MULLION & FRAME



CONCRETE SCREWS ANCHORS	3100 STRUCTURAL MULLION LOAD TABLE (PSF)															
	TRIBUTARY WIDTH															
MULLION SPAN	28"	30"	32"	34"	36"	38"	40"	42"	44"	46"	48"	50"	54"	58"	62"	66"
76"	54.43	60.62	67.28	74.39	81.80	89.52	97.54	105.86	114.47	123.37	132.56	142.04	151.81	161.87	172.22	182.86
72"	70.94	67.37	64.28	61.60	59.26	57.14	55.21	53.43	51.81	50.33	48.95	47.63	46.36	45.13	43.92	42.74
70"	71.47	68.02	66.67	63.30	61.52	59.31	57.24	55.32	53.52	51.83	50.25	48.76	47.31	45.91	44.56	43.24
68"	75.19	72.45	69.23	66.44	63.83	61.60	59.44	57.43	55.54	53.78	52.13	50.57	49.07	47.62	46.21	44.83
66"	75.29	72.07	68.12	64.33	60.49	57.29	54.29	51.52	48.95	46.55	44.29	42.13	40.05	38.04	36.09	34.19
64"	82.29	78.37	75.00	72.00	69.23	66.87	64.70	62.67	60.69	58.75	56.85	54.97	53.11	51.27	49.45	47.64
62"	85.71	81.70	78.23	75.07	72.16	69.46	66.95	64.63	62.46	60.32	58.21	56.11	54.02	51.94	49.87	47.81
60"	88.44	85.33	81.70	78.57	75.29	72.45	69.82	67.37	65.08	62.85	60.66	58.49	56.34	54.19	52.05	49.92
58"	93.51	89.27	85.43	81.91	78.66	75.67	72.85	70.19	67.67	65.19	62.74	60.31	57.91	55.52	53.14	50.77
56"	97.86	93.51	89.44	85.71	82.29	79.12	76.19	73.47	70.94	68.57	66.25	63.95	61.67	59.40	57.14	54.89
54"	102.81	98.08	93.77	89.82	86.20	82.65	79.25	76.00	72.89	69.81	66.75	63.71	60.68	57.66	54.64	51.63
52"	108.07	103.04	98.46	94.27	90.42	86.88	83.50	80.25	77.13	74.04	71.00	68.00	65.02	62.05	59.10	56.15
50"	113.78	108.42	103.55	99.10	95.01	91.26	87.77	84.50	81.35	78.22	75.10	72.04	69.00	66.00	63.00	60.00
48"	120.00	114.28	109.09	104.35	100.00	96.00	92.31	88.89	85.71	82.56	79.44	76.33	73.23	70.13	67.03	63.93
46"	120.00	120.00	115.14	110.08	105.45	101.19	97.26	93.62	90.25	87.11	84.18	81.44	78.77	76.17	73.61	71.08
44"	120.00	120.00	120.00	116.38	112.41	108.98	105.87	102.97	100.29	97.81	95.44	93.17	90.90	88.73	86.56	84.39
42"	120.00	120.00	120.00	120.00	117.97	115.11	112.39	109.83	107.44	105.11	102.85	100.67	98.47	96.25	94.02	91.79
40"	120.00	120.00	120.00	120.00	120.00	120.00	120.00	118.20	115.77	113.53	111.33	109.25	107.25	105.25	103.25	101.25
38"	120.00	120.00	120.00	120.00	120.00	120.00	120.00	120.00	120.00	120.00	120.00	120.00	120.00	120.00	120.00	120.00
36"	120.00	120.00	120.00	120.00	120.00	120.00	120.00	120.00	120.00	120.00	120.00	120.00	120.00	120.00	120.00	120.00
34"	120.00	120.00	120.00	120.00	120.00	120.00	120.00	120.00	120.00	120.00	120.00	120.00	120.00	120.00	120.00	120.00
32"	120.00	120.00	120.00	120.00	120.00	120.00	120.00	120.00	120.00	120.00	120.00	120.00	120.00	120.00	120.00	120.00
30"	120.00	120.00	120.00	120.00	120.00	120.00	120.00	120.00	120.00	120.00	120.00	120.00	120.00	120.00	120.00	120.00
28"	120.00	120.00	120.00	120.00	120.00	120.00	120.00	120.00	120.00	120.00	120.00	120.00	120.00	120.00	120.00	120.00
26"	120.00	120.00	120.00	120.00	120.00	120.00	120.00	120.00	120.00	120.00	120.00	120.00	120.00	120.00	120.00	120.00
24"	120.00	120.00	120.00	120.00	120.00	120.00	120.00	120.00	120.00	120.00	120.00	120.00	120.00	120.00	120.00	120.00

- INSTRUCTIONS FOR USE OF THE MULLION LOAD TABLE:
1. DETERMINE THE DESIGN LOAD REQUIREMENT FOR THE PARTICULAR OPENING AS SPECIFIED BY THE BUILDING DESIGNER (ARCHITECT OR ENGINEER OR RECORD).
 2. FOR THE PARTICULAR OPENING, DETERMINE THE TRIBUTARY WIDTH AND MULLION SPAN. REFERENCE THE SKETCHES ON THIS SHEET FOR MULLION SPAN AND TRIBUTARY WIDTH DETERMINATION.
 3. IN THE FIRST COLUMN OF THE TABLE, LOCATE THE MULLION SPAN. IN THE FIRST ROW OF THE TABLE, LOCATE THE TRIBUTARY WIDTH. AT THE INTERSECTION OF THE ROW CONTAINING THE MULLION SPAN AND THE COLUMN CONTAINING THE TRIBUTARY WIDTH, READ THE MULLION LOAD RATING GIVEN IN PSF. THE MULLION LOAD RATING MUST BE EQUAL TO OR GREATER THAN THE DESIGN LOAD REQUIREMENT DETERMINED IN STEP 1 ABOVE.

FOR ANCHORING GLAZING PRODUCTS TO THE MULLION, ANCHOR SIZE AND SPACING SHALL BE AS SPECIFIED IN ONE OF THE FOLLOWING:

1. SUBSTITUTE (1 FOR 1) 1/4"-14 SELF-DRILLING SCREWS FOR THE FASTENERS SHOWN IN THE INDIVIDUAL GLAZING PRODUCT APPROVAL.
2. SUBSTITUTE #8-18 PAN-HEAD SELF-DRILLING SCREWS FOR THE FASTENERS SHOWN IN THE INDIVIDUAL GLAZING PRODUCT APPROVAL. MAXIMUM FASTENER SPACING ALLOWED IS 6" FROM EACH END AND AT 15" O.C. MAX. SPACING.

NOTE: A MINIMUM OF 3 THREADS OF THE SELF-DRILLING SCREWS MUST PROTRUDE THROUGH THE WALL OF THE MULLION. THIS SECTION VIEW IS SHOWN FOR ILLUSTRATIVE PURPOSES; OTHER FRAME SECTIONS OF FLORIDA APPROVED WINDOWS BY ALSIDE WINDOWS CAN BE USED IN THIS FASHION.



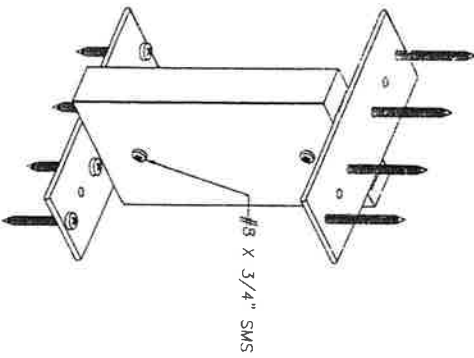
Documents Prepared By:
 Lyndon F. Schmidt
 P.E. No. 43409
 BUILDING CONSULTANTS, INC.
 P.O. Box 230, Vairco, FL 33595
 Phone No.: 813.659.9197
 FBPE C.A. No. 9813

PRODUCT:
 3100 STRUCTURAL MULLION
 PART OR ASSEMBLY:
 MULLION LOAD TABLE FOR CONCRETE SCREW ANCHORS

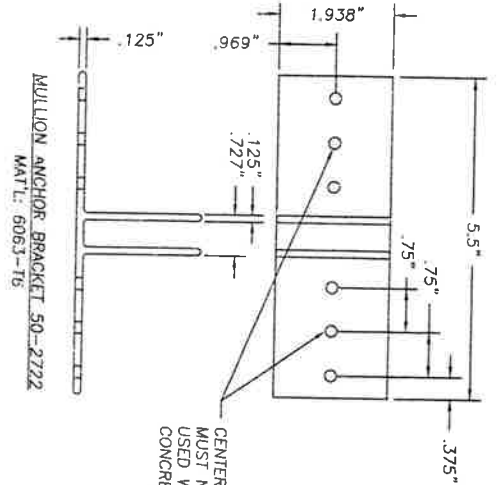
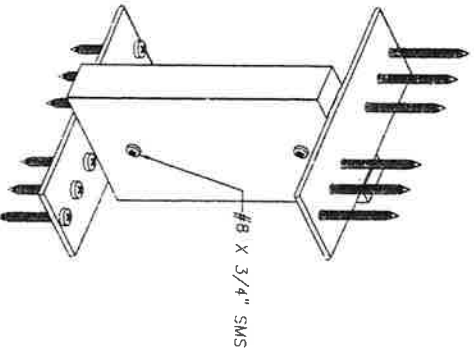
NO.	DATE	REVISIONS	BY	CHK
2	3/03/15	UPDATE TO 5TH ED. (2014) FBC		
1	11/08/11	UPDATE TO 2010 FBC		

DATE: 12/11/08
 SCALE: NTS
 PWD. BY: DWS
 CHK. BY: LFS
 DRAWING NO.: FL-12078.1
 SHEET: 3 OF 4

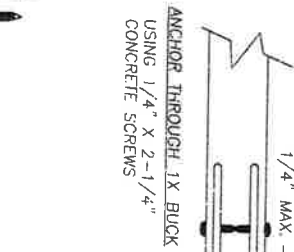
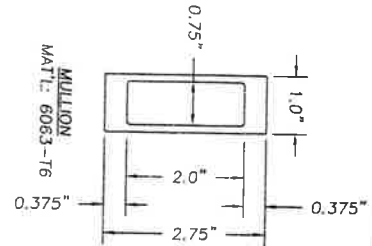
BASIC MULLION BRACKET ANCHORING FOR CONCRETE SCREW CONNECTIONS AND SMS SCREW (MULL TO MULL) CONNECTIONS



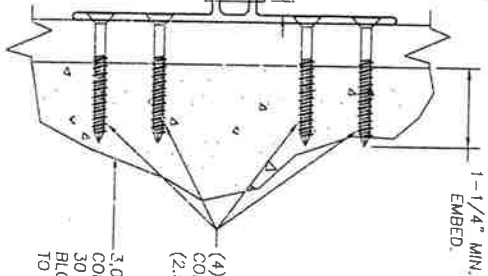
BASIC MULLION BRACKET ANCHORING FOR WOOD SCREW APPLICATIONS



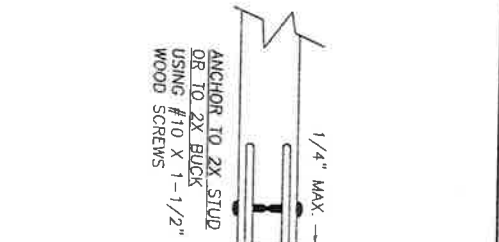
CENTER HOLE MUST NOT BE USED WHEN USING CONCRETE SCREWS



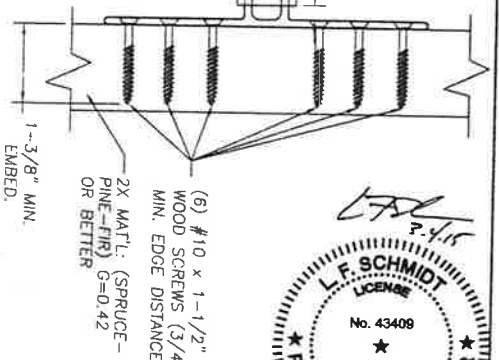
(4) 1/4" x 2-1/4" ELCO ULTRACON CONCRETE SCREW (2.5" MIN. EDGE DISTANCE)



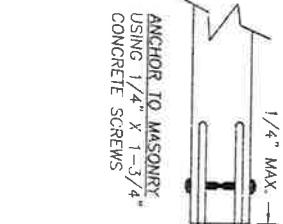
3,000 PSI CONCRETE CONFORMING TO ACI 301 OR HOLLOW BLOCK CONFORMING TO ASTM C90



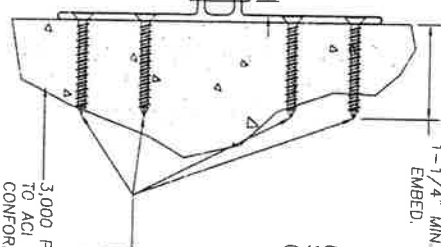
ANCHOR TO 2X STUD OR TO 2X BUCK USING #10 X 1-1/2" WOOD SCREWS



(6) #10 x 1-1/2" WOOD SCREWS (3/4" MIN. EDGE DISTANCE) 2X MAT'L: (SPRUCE-PINE-FIR) G=0.42 OR BETTER



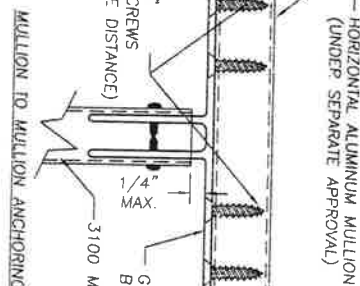
ANCHOR TO MASONRY USING 1/4" X 1-3/4" CONCRETE SCREWS



3,000 PSI CONCRETE CONFORMING TO ACI 301 OR HOLLOW BLOCK CONFORMING TO ASTM C90

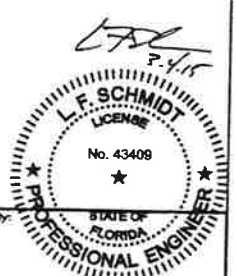
(4) #10 X 3/4" SHEET METAL SCREWS (1/2" MIN. EDGE DISTANCE)

(4) 1/4" X 1-3/4" ELCO ULTRACON CONCRETE SCREW (2.5" MIN. EDGE DISTANCE)



HORIZONTAL ALUMINUM MULLION (UNDER SEPARATE APPROVAL)

GOALPOST BRACKET 3100 MULLION



Documents Prepared By: Lyndan F. Schmidt, P.E. No. 43409
 BUILDING CONSULTANTS, INC.
 P.O. Box 230, Valrico, FL 33595
 Phone No.: 813.659.9197
 FBPE C.A. No. 9813

SHEET 4 OF 4		DRAWING NO.: FL-12078.1		DATE: 12/11/08		SCALE: NTS		DWS		LFS	
PRODUCT: 3100 STRUCTURAL MULLION		PART OR ASSEMBLY: MULLION SECTION & ANCHORING DETAILS		DATE: 3/03/15		DATE: 11/08/11		DATE: 11/08/11		DATE: 11/08/11	
REVISIONS		NO.		DATE		DESCRIPTION		BY		BY	
		2		3/03/15		UPDATE TO 5TH ED. (2014) FBC		JK		JK	
		1		11/08/11		UPDATE TO 2010 FBC		KV		KV	



3882 Center Loop, Orlando, FL 32808
 (407) 389-1400 • 1-800-NEXT-WINDOW • (407) 389-1402 Fax
 windowworldorlando.com / CGC 1514205

Name: TIA OR JOHN PAWLOWSKI Phone (H): 407 256 6452
 Install Address: 1723 WIND PRIFT RD Phone (W): 898
 City, State Zip: BOLLE ISLE, FL 32809 Phone (other): 992 0092

DOUBLE HUNG		SLIDER / SPECIALTY & FIXED GLASS	
<u>6</u> Series 4000 DH Insulated 101UI	\$ 189 <u>189</u>	<u>2</u> 2 Lite Slider Insulated	\$ 369 <u>738</u>
<u>6</u> Series 4000 DH Insulated 102-114UI	\$ 240 <u>1440</u>	2 Lite Slider Insulated < 90 UI	\$ 244
Series 4000 DH Insulated over 114UI	\$ 340	3 Lite Slider Insulated > 121 UI	\$ 649
Series 6000 DH Insulated 114UI	\$ 275	3 Lite Slider Insulated < 121 UI	\$ 449
Series 6000 DH Insulated over 114UI	\$ 375	Fixed Glass Insulated	\$ 339
<u>2</u> Half Screens	\$ 15 <u>105</u>	Colonial Grids < 90 UI	\$ 69
Full Screens	\$ 40	Colonial Grids > 90 UI	\$ 89
<u>2</u> Solar Zone Elite Low-E Glass	\$ 69 <u>983</u>	<u>2</u> Solar Zone Elite Low-E / Argon	\$ 99 <u>198</u>
<u>2</u> Argon Gas	\$ 15 <u>105</u>	Almond Color	\$ 69
Colonial Grids	\$ 39	<u>2</u> Half Screens	\$ 15 <u>30</u>
Contoured Grids	\$ 45	Full Screens	\$ 40
Beige Color	\$ 59	Tint Gray/Bronze	\$ 49
Wood Grain, Interior (4000 or 6000)	\$ 95		
Architectural Exterior Color	\$ 159		

IMPACT		PATIO DOORS	
Series 201 DH	\$	Vinyl Sliding Patio Door 5' x 6' 8"	\$ 819
Series 3102 2 Lite Slider	\$	Vinyl Sliding Patio Door 6' x 6' 8"	\$ 939
Series 3104 Fixed Glass	\$	Vinyl Sliding Patio Door 8' x 6' 8"	\$ 1039
Series 511 Sliding Patio Door _____ Ft.	\$	Vinyl Sliding Patio Door 9' x 6' 8"	\$ 1209

MISCELLANEOUS			
Custom Exterior Cap & Wrap	\$ 59	Vinyl Sliding Patio Door 12' x 6' 8"	\$ 1475
Prep to Code/Trim Kit	\$ 95 <u>1045</u>	Vinyl Sliding Patio Door 6' x 8'	\$ 1799
Mull to Form Multi-Unit	\$ 65 <u>195</u>	Vinyl Sliding Patio Door 8' x 8'	\$ 2339
Tempered DH Sash (BSO) (TSO)	\$ 40 <u>280</u>	Vinyl Sliding Patio Door 9' x 8'	\$ 2939
Tempered (Fixed Units) \$ 9/Sq. Ft.		Vinyl Sliding Patio Door 12' x 8'	\$ 3339
Obscured Glass	\$ 39	Screen Sliding Door	\$ 60
Lead Abatement Procedure	\$ 79	Grids Patio Door	\$ 169
<u>6</u> 1 x 4 PT Buck (Volusia Only) <u>BALE</u>	\$ 40 <u>240</u>	Solar Zone Elite Low-E / Argon	\$ 209
Code Compliant Plywood Services > 101UI	\$ 85	Removal & Install	\$ 250
Code Compliant Plywood Services < 101UI	\$ 65	Custom Exterior Trim	\$ 95
Lead Abatement Procedure Sliding	\$ 129	Beige Color	\$ 179
Code Compliant Plywood Sliding	\$ 169	Architectural Exterior Color	\$ 429

Customer agrees to make themselves available to the city and/or county inspectors for a final inspection

NO EXTRA WORK IF NOT IN WRITING
 JOHN P PAWLOWSKI
 6011 0005 6436 9472
 11/20
~~16580~~ 1000
 34711



St. Jude's Donation \$ 5407
 Extra Labor \$ - 310
 Setup & Disposal Fee \$ 100.00
 Permit & Fees \$ 259.00
 Total Amount \$ 5097
 Custom Order Deposit 50% \$ 2549 CK#
 Balance Paid to Insaller upon Completion \$ 2548

*Received plywood code (Volusia)
 Please see reverse for additional terms & conditions

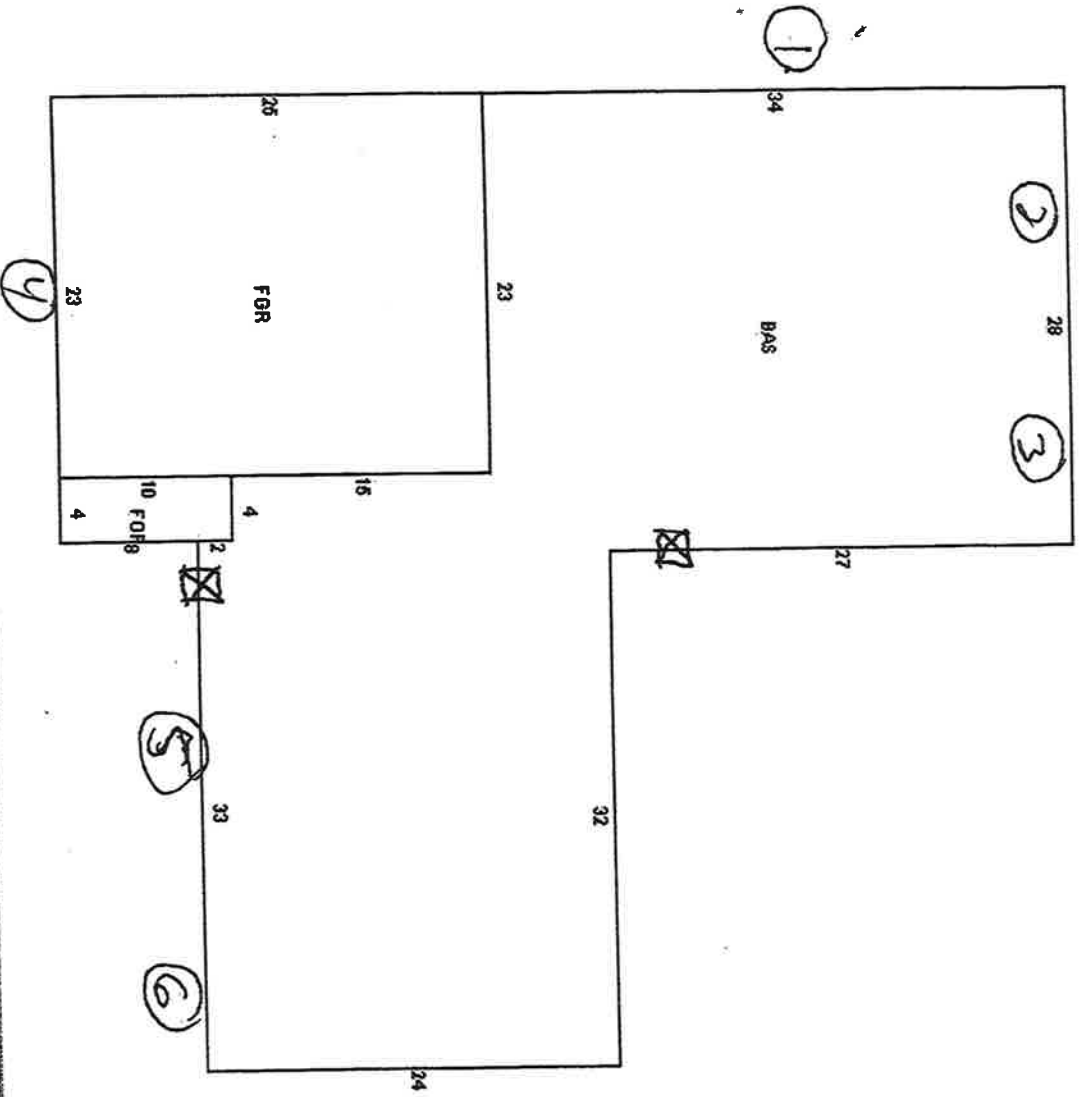
CHECK RETURN FEE \$59
 Buyer agrees that he has read and understands all terms and conditions on front and back of this contract and agrees to every term and condition.

John Pawlowski 7/5/16 Salesman Date
John Pawlowski 7/5/16 Owner Date
 White Copy - Original Yellow Copy - Customer



Courtesy Rick Singh, Orange County Property Appraiser

PAWLOWSKI



Sub Area
BAS - Base Area

Sqft
1797

Value
\$193,447

WINDOW MEASUREMENT ORDER FORM

NAME: PAWLOWSKI

OF STORIES: 1

MEASURED BY: 008

DATE: 7/12/16

TYPE OF CONSTRUCTION: BLOCK

TYPE OF WINDOWS: AL SH

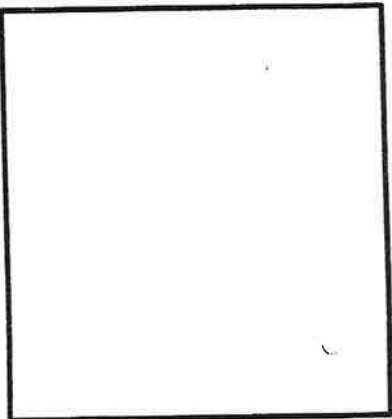
OF WINDOWS: 9

DRAWING

SCREWED IN X STUCCO X

OTHER WOOD

SIZE (WXH)	MODEL	LEG	OBSUCURED	TEMP	GRID	MULL	FS	RM LOC
1 24 5/8 X 36 7/8	ST3001			TB				BATHROOM
2 72 3/4 X 37 1/8	ST3002							BEDROOM
3 72 3/4 X 37 1/8	ST3002							BEDROOM
4 73 X 76	ST3001			TB		76		GARAGE
5 73 X 76	ST3001			TB		76		LIVING ROOM
6 73 X 76	ST3001			TB		76		BEDROOM
7								
8								
9								
10								
11								
12								
13								
14								
15								
16								
17								
18								
19								
20								
21								
22								
23								
24								
25								
26								
27								
28								



FRONT

INSTALLERS NOTES:

 **RICK SINGH, CFA - ORANGE COUNTY PROPERTY APPRAISER**

- [Searches](#)
- [Sales Search](#)
- [Results](#)
- [Property Record Card](#)
- [My Favorites](#)

[Sign up for e-Notify...](#)

1723 Wind Drift Rd < 30-23-30-0604-01-070 >

Name(s)	Physical Street Address
Pawlowski John	1723 Wind Drift Rd
Pawlowski Tia	Postal City and Zipcode
Mailing Address On File	Orlando, FL 32809
1723 Wind Drift Rd	Property Use
Belle Isle, FL 32809-6840	0103 - Single Fam Class III
Incorrect Mailing Address?	Municipality
	Belle Isle



- [Values, Exemptions and Taxes](#)
- [Property Features](#)
- [Sales Analysis](#)
- [Location Info](#)
- [Market Stats](#)
- [Update Information](#)

Property Description

[View Plat](#)

BELLE ISLE PINES UNIT 2 7/2 LOT 7 BLK A


Total Land Area 14,520 sqft (+/-) | 0.33 acres (+/-) GIS Calculated Notice

Land (includes working values)

Land Use Code	Zoning	Land Units	Unit Price	Land Value	Class Unit Price	Class Value
0100 - Single Family	R-1-AA	1 LOT(S)	\$55,000.00	\$55,000	\$0.00	\$55,000

Page 1 of 1 (1 total records)

Buildings (includes working values)

Important Information		Structure				
	Model Code:	01 - Single Fam Residence	Actual Year Built:	1978	Gross Area:	2412 sqft
	Type Code:	0103 - Single Fam Class III	Beds:	3	Living Area:	1797 sqft
	Building Value:	\$165,988	Baths:	2.0	Exterior Wall:	Concrete Block Stucco
	Estimated New Cost:	\$225,527	Floors:	1	Interior Wall:	Unique Curvilinear

Page 1 of 1 (1 total records)

Extra Features (includes working values)

Description	Date Built	Units	XFOB Value
FPL2 - Average Fireplace	01/01/1978	1 Unit(s)	\$2,500
SCR2 - Scrn Enc 2	01/01/1998	1 Unit(s)	\$5,000
PL2 - Above Average Pool	01/01/1978	1 Unit(s)	\$7,500

Page 1 of 1 (3 total records)

This Data Printed on 07/15/2016 and System Data Last Refreshed on 07/14/2016



STATE OF FLORIDA
DEPARTMENT OF BUSINESS AND PROFESSIONAL REGULATION

CONSTRUCTION INDUSTRY LICENSING BOARD
1940 NORTH MONROE STREET
TALLAHASSEE FL 32399-0783

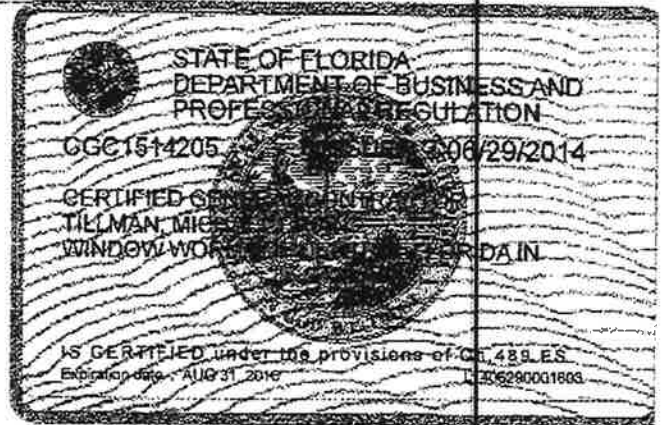
(850) 487-1395

TILLMAN, MICHAEL BRIAN
WINDOW WORLD OF CENTRAL FLORIDA INC
3882 CENTER LOOP
ORLANDO FL 32808

Congratulations! With this license you become one of the nearly one million Floridians licensed by the Department of Business and Professional Regulation. Our professionals and businesses range from architects to yacht brokers, from boxers to barbeque restaurants, and they keep Florida's economy strong.

Every day we work to improve the way we do business in order to serve you better. For information about our services, please log onto www.myfloridalicense.com. There you can find more information about our divisions and the regulations that impact you, subscribe to department newsletters and learn more about the Department's initiatives.

Our mission at the Department is: License Efficiently, Regulate Fairly. We constantly strive to serve you better so that you can serve your customers. Thank you for doing business in Florida, and congratulations on your new license!



DETACH HERE

RICK SCOTT, GOVERNOR


KEN LAWSON, SECRETARY

STATE OF FLORIDA
DEPARTMENT OF BUSINESS AND PROFESSIONAL REGULATION
CONSTRUCTION INDUSTRY LICENSING BOARD

LICENSE NUMBER
CGC1514205

The GENERAL CONTRACTOR
Named below IS CERTIFIED
Under the provisions of Chapter 489 FS
Expiration date: AUG 31, 2016

TILLMAN MICHAEL BRIAN
WINDOW WORLD OF CENTRAL FLORIDA INC
3882 CENTER LOOP
ORLANDO FL 32808



ISSUED: 06/29/2014

DISPLAY AS REQUIRED BY LAW

SEQ # L1406290001603




CERTIFICATE OF LIABILITY INSURANCE

DATE (MM/DD/YYYY)
09/24/2015

THIS CERTIFICATE IS ISSUED AS A MATTER OF INFORMATION ONLY AND CONFERS NO RIGHTS UPON THE CERTIFICATE HOLDER. THIS CERTIFICATE DOES NOT AFFIRMATIVELY OR NEGATIVELY AMEND, EXTEND OR ALTER THE COVERAGE AFFORDED BY THE POLICIES BELOW. THIS CERTIFICATE OF INSURANCE DOES NOT CONSTITUTE A CONTRACT BETWEEN THE ISSUING INSURER(S), AUTHORIZED REPRESENTATIVE OR PRODUCER, AND THE CERTIFICATE HOLDER.

IMPORTANT: If the certificate holder is an ADDITIONAL INSURED, the policy(ies) must be endorsed. If SUBROGATION IS WAIVED, subject to the terms and conditions of the policy, certain policies may require an endorsement. A statement on this certificate does not confer rights to the certificate holder in lieu of such endorsement(s).

PRODUCER Matthew F Carlucci State Farm Insurance Agency 3707 Hendricks Avenue Jacksonville, FL 32207 904-399-5544 	CONTACT NAME: PHONE (A/C, No, Ext): 904-399-5544 E-MAIL ADDRESS: INSURER(S) AFFORDING COVERAGE	FAX (A/C, No): 904-399-1536 NAIC #
	INSURED WINDOW WORLD OF CENTRAL FL, INC. 3882 CENTER LOOP ORLANDO, FL 32808 -3146	INSURER A : State Farm Florida Insurance Company INSURER B : State Farm Florida Insurance Company INSURER C : INSURER D : INSURER E : INSURER F :


COVERAGES **CERTIFICATE NUMBER:** **REVISION NUMBER:**

THIS IS TO CERTIFY THAT THE POLICIES OF INSURANCE LISTED BELOW HAVE BEEN ISSUED TO THE INSURED NAMED ABOVE FOR THE POLICY PERIOD INDICATED. NOTWITHSTANDING ANY REQUIREMENT, TERM OR CONDITION OF ANY CONTRACT OR OTHER DOCUMENT WITH RESPECT TO WHICH THIS CERTIFICATE MAY BE ISSUED OR MAY PERTAIN, THE INSURANCE AFFORDED BY THE POLICIES DESCRIBED HEREIN IS SUBJECT TO ALL THE TERMS, EXCLUSIONS AND CONDITIONS OF SUCH POLICIES. LIMITS SHOWN MAY HAVE BEEN REDUCED BY PAID CLAIMS.

INSR LTR	TYPE OF INSURANCE	ADDL SUBR INSR	WVD	POLICY NUMBER	POLICY EFF (MM/DD/YYYY)	POLICY EXP (MM/DD/YYYY)	LIMITS
A	GENERAL LIABILITY						EACH OCCURRENCE \$ 2,000,000
	<input checked="" type="checkbox"/> COMMERCIAL GENERAL LIABILITY <input type="checkbox"/> CLAIMS-MADE <input checked="" type="checkbox"/> OCCUR GEN'L AGGREGATE LIMIT APPLIES PER: <input checked="" type="checkbox"/> POLICY <input type="checkbox"/> PRO-JECT <input type="checkbox"/> LOC			98-BE-W890-5 B 98-BE-W890-5 B	10/31/2014 10/31/2015	10/31/2015 10/31/2016	DAMAGE TO RENTED PREMISES (Ea occurrence) \$ 300,000 MED EXP (Any one person) \$ 5,000 PERSONAL & ADV INJURY \$ 2,000,000 GENERAL AGGREGATE \$ 4,000,000 PRODUCTS - COMP/OP AGG \$ 4,000,000
	AUTOMOBILE LIABILITY						COMBINED SINGLE LIMIT (Ea accident) \$ BODILY INJURY (Per person) \$ BODILY INJURY (Per accident) \$ PROPERTY DAMAGE (Per accident) \$
	UMBRELLA LIAB						EACH OCCURRENCE \$
	EXCESS LIAB						AGGREGATE \$
	DED RETENTION \$						\$
B	WORKERS COMPENSATION AND EMPLOYERS' LIABILITY ANY PROPRIETOR/PARTNER/EXECUTIVE OFFICE/MEMBER EXCLUDED? (Mandatory in NH) If yes, describe under DESCRIPTION OF OPERATIONS below	Y/N		98-BT-K108-9 F 98-BK-U491-9 F	11/05/2015 11/05/2014	11/05/2016 11/05/2015	<input checked="" type="checkbox"/> WC STATU-TORY LIMITS <input type="checkbox"/> OTH-ER E.L EACH ACCIDENT \$ 100,000 E.L DISEASE - EA EMPLOYEE \$ 100,000 E.L DISEASE - POLICY LIMIT \$ 500,000

DESCRIPTION OF OPERATIONS / LOCATIONS / VEHICLES (Attach ACORD 101, Additional Remarks Schedule, if more space is required)

GENERAL CONTRACTOR LICENSE CGC1514205

CERTIFICATE HOLDER City of Belle Isle 1600 Nela Ave. Belle Isle, FL 32809	CANCELLATION SHOULD ANY OF THE ABOVE DESCRIBED POLICIES BE CANCELLED BEFORE THE EXPIRATION DATE THEREOF, NOTICE WILL BE DELIVERED IN ACCORDANCE WITH THE POLICY PROVISIONS. AUTHORIZED REPRESENTATIVE 
---	--

© 1988-2010 ACORD CORPORATION. All rights reserved.

Scott Randolph, Tax Collector

Local Business Tax Receipt

Orange County, Florida

This local business tax receipt is in addition to and not in lieu of any other tax required by law or municipal ordinance. Businesses are subject to regulation of zoning, health and other lawful authorities. This receipt is valid from October 1 through September 30 of receipt year. **Delinquent penalty is added October 1.**

	2015	EXPIRES 9/30/2016	5000-1106564
5000 BUSINESS OFFICE	\$30.00	3 EMPLOYEE 1801 GENERAL BUILDER	\$30.00 1 EMPLOYEE

TOTAL TAX	\$60.00
PREVIOUSLY PAID	\$60.00
TOTAL DUE	\$0.00

3882 CENTER LOOP
A - ORLANDO, 32808

PAID: \$60.00 0098-00671040 7/9/2015



• TILLMAN BRIAN •

WINDOW WORLD OF CENTRAL FLORIDA IN
3882 CENTER LOOP
ORLANDO FL 32808

This receipt is official when validated by the Tax Collector.