

**Received**  
1-15-14



**City of Belle Isle**  
Universal Engineering Sciences 3532 Maggie Blvd., Orlando, FL 32811  
Tel 407-581-8161 \* Fax 407-581-0313 \* [www.universalengineering.com](http://www.universalengineering.com)

**REVISION APPLICATION**

**WARNING TO OWNER:** YOUR FAILURE TO RECORD A NOTICE OF COMMENCEMENT MAY RESULT IN YOUR PAYING TWICE FOR IMPROVEMENTS TO YOUR PROPERTY. A NOTICE OF COMMENCEMENT MUST BE RECORDED AND POSTED ON THE JOB SITE BEFORE THE FIRST INSPECTION. IF YOU INTEND TO OBTAIN FINANCING, CONSULT WITH YOUR LENDER OR AN ATTORNEY BEFORE RECORDING YOUR NOTICE OF COMMENCEMENT.

Date: 1/14/14  
Permit Number: 2014-10-018  
Original Permit Number Issued

Contact Name ERICA WENDORF Phone: \_\_\_\_\_  
Project Address 4329 ISLE VISTA Belle Isle, FL 32809 X32812  
Nature of Change WIND BRACING  
Change in Job Cost NONE

Do revisions affect: Site Architectural Structural Mechanical Electrical Plumbing

Itemize below for each drawing specific proposed changes. Attach <sup>Code</sup>additional sheets, if necessary.

Examiner Approval: [Signature] BU1557



Date \_\_\_\_\_ Finalized/Inspected by: \_\_\_\_\_

Fee: \$ 24 - \_\_\_\_\_  
Cash/Check #: 35690 Date Rec'd: 1-23-14 Rec'd By: ca

To schedule an inspection please email your request to: [BI scheduling@UniversalEngineering.com](mailto:BI scheduling@UniversalEngineering.com)

# ASD ALUMINUM SCREEN DESIGN

Aluminum & Construction Engineering

## \*Plan Types:

- Screen Room
- Pool Screen/Cage
- Car Port
- Patio Cover
- Other:

Job # 17413

\*Reference:  New  Revision Date: 9-10-13

\*Project Address: 4329 Isle Vista Ave

\*City: Belle Isle 32812

\*Contractor Name: Eric Wendorf, Bob's Pools & Screens, Inc.

\*Address: 850 E. Semoran Blvd Mail to Address: Same

\*City: Casselberry City: Same

\*Zip Code: 32707 Zip Code: Same

\*Phone/Fax: P:(407)834-7100/F:(407)834-3197

\*Email: Plans Approval: Jeff.bobspools@gmail.com/Accounting: BobspoolAP@yahoo.com

\*Choose One:  Prepay Fed Ex\*  Prepay Mail\*  Prepay Pick up\*

\*(For delivery options go to [www.aluminumscreenesign.com](http://www.aluminumscreenesign.com) and provide delivery and payment)

\* Payment:  Check Upon Pick Up  Credit Card Online Only\*

\*(For Credit Card option go to [www.aluminumscreenesign.com](http://www.aluminumscreenesign.com) to pay by credit card)

Engineering prepared by:

## DBE&C

REGISTERED PROFESSIONAL ENGINEERS

Engineer: Michael Thompson, MSc, P.E. (P.E. # 47509)  
5200 Vineland Road- Suite 250 Orlando, FL 32811

Customer Service: 888-607-0747 Fax: 888-923-8181

Email: [aluminumscreenesign@yahoo.com](mailto:aluminumscreenesign@yahoo.com)

Website: [www.aluminumscreenesign.com](http://www.aluminumscreenesign.com) (C.A. #9103)



*1/19/14*

\* Ultimate Wind Speed (mph): 130 Exposed Category: C Risk Category: 1  
<http://www.atcouncil.org/windspeed>

Screen Room:

- Insulated  Pan Roof  
 Fascia Wall:  Block  Conventional  
Uprights X Top Plate X  Kick Plate  Fill In

Pool Screen/Cage:

- Dome  Gable  Mansard  
 Gutter Wall:  Block  Conventional  
Beams 2 X 5 Uprights 2 X 4 Purlin 2 X 2  
 Kick Plate  Fill In

Car Port:

- Insulated  Pan  
 Fascia Wall:  Block  Conventional  
Beams X Post X

Patio Cover:

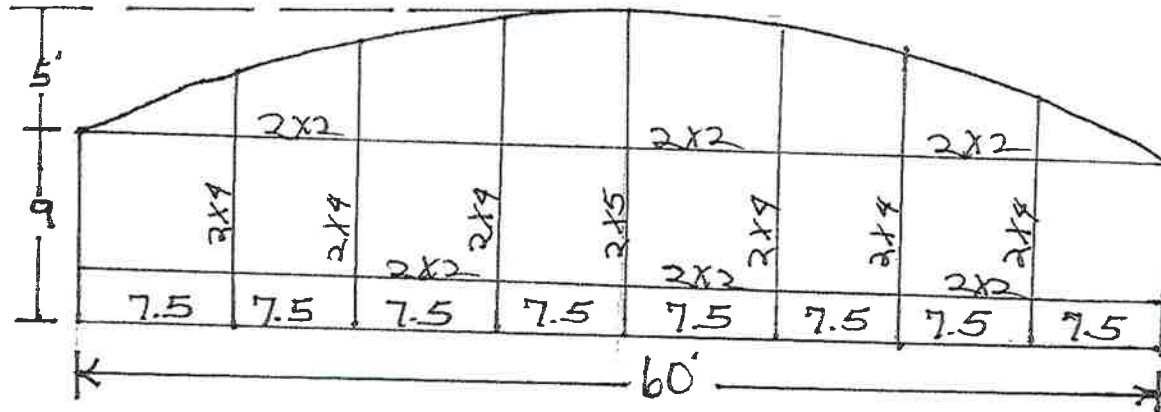
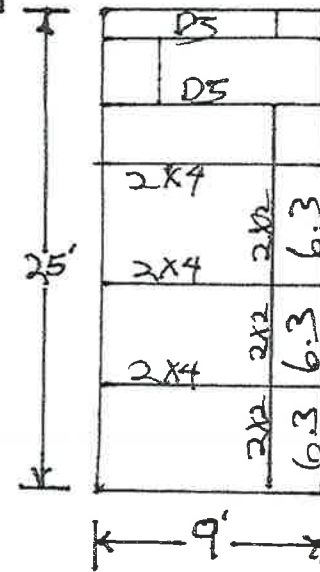
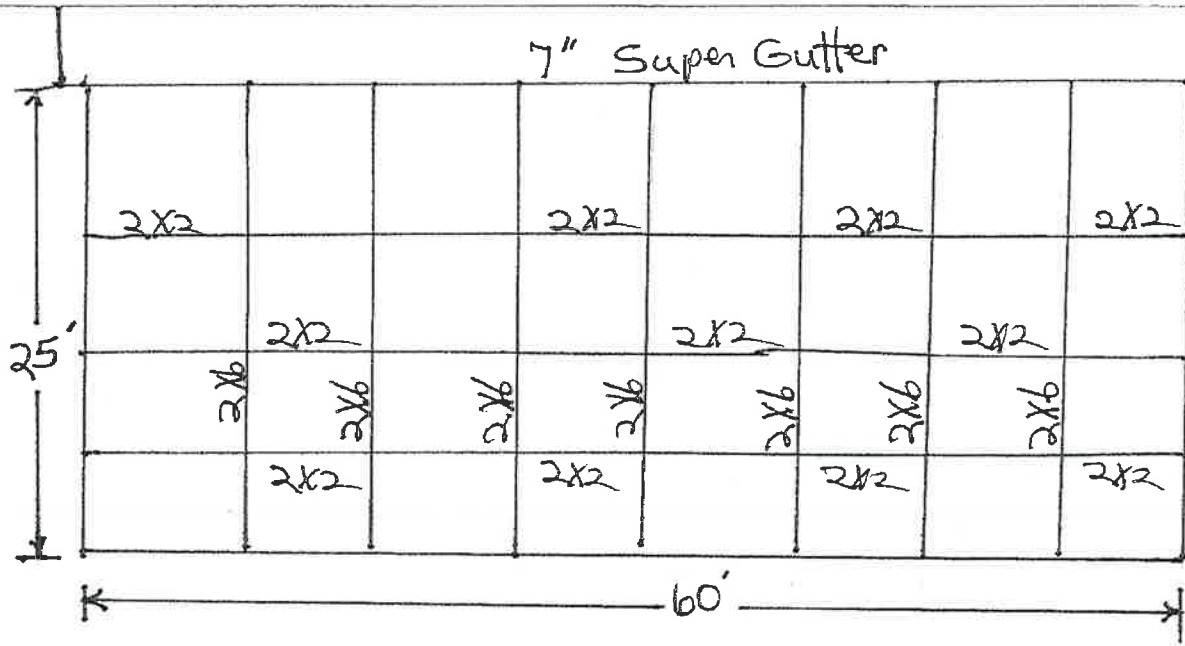
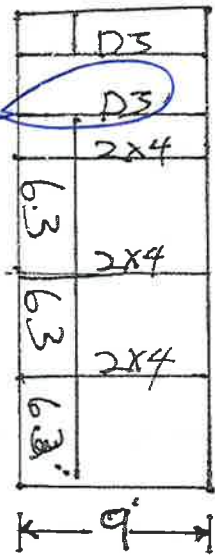
- Insulated  Pan  
 Fascia Wall:  Block  Conventional  
Beams X Post X

Concrete:

- Existing  New: 4" Slab  Pier  Ribbon Footer X  Pavers

Other: Footer Detail on Pool Plan

Height



Reviewed for Code Compliance Universal Engineering Sciences



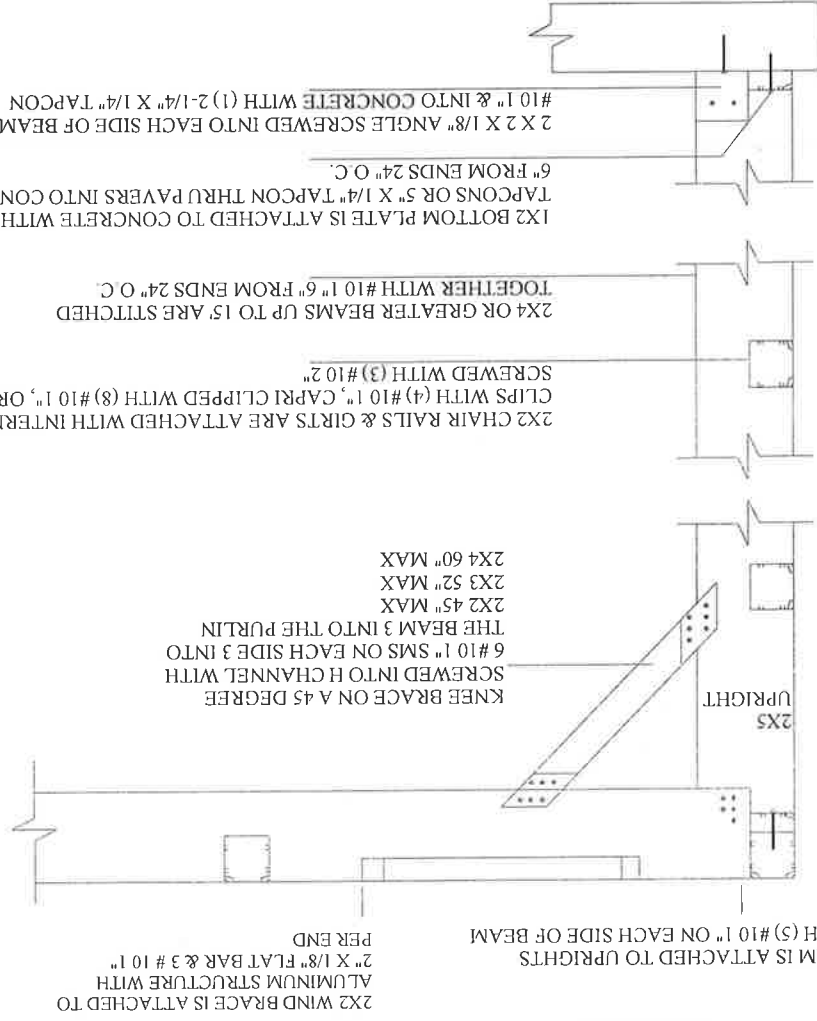
Bob's Pool Screens  
 4329 Isle Vista Ave  
 Belle Isle Fl.  
 32812

Job#17413



# ALUMINUM SCREEN DESIGN

A DIVISION OF DB&C



BEAM LOAD MAX SPACING  
(7'2") X PRESSURE (24.92 PSF)



Reviewed for Code  
Compliance  
Universal Engineering  
Sciences

ALUMINUMSCREENDESIGN.COM  
ALUMINUMSCREENDESIGN

@YAHOO.COM

PHONE #: 386-320-0256  
FAX #: 888-923-8181

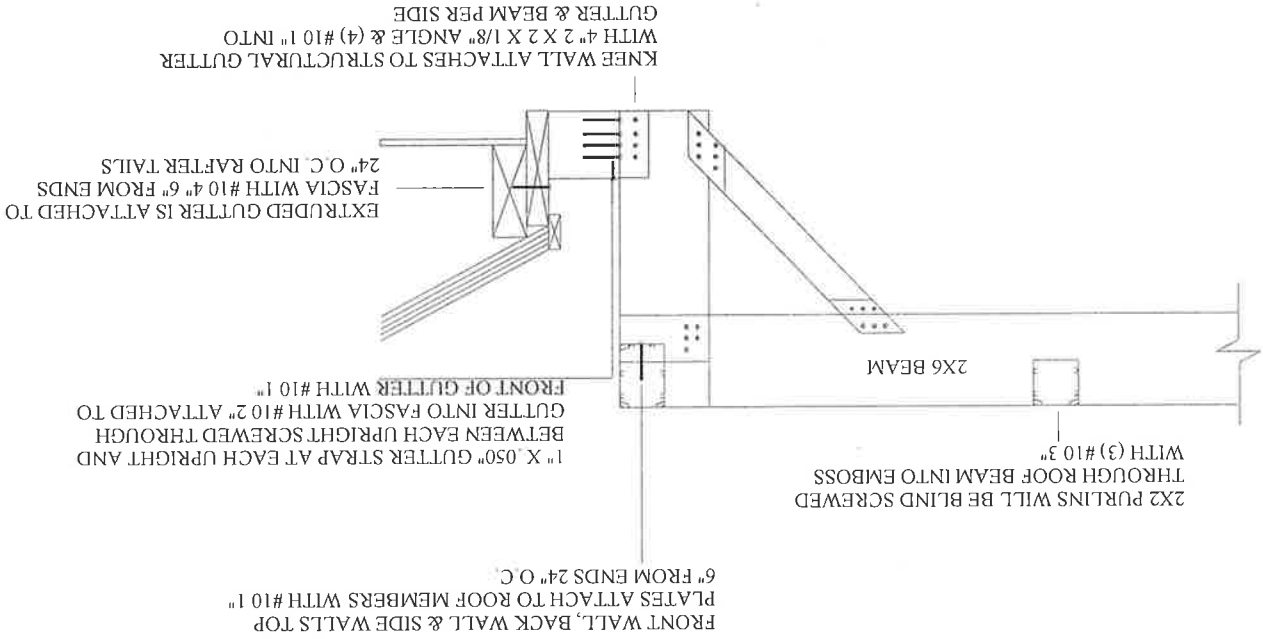
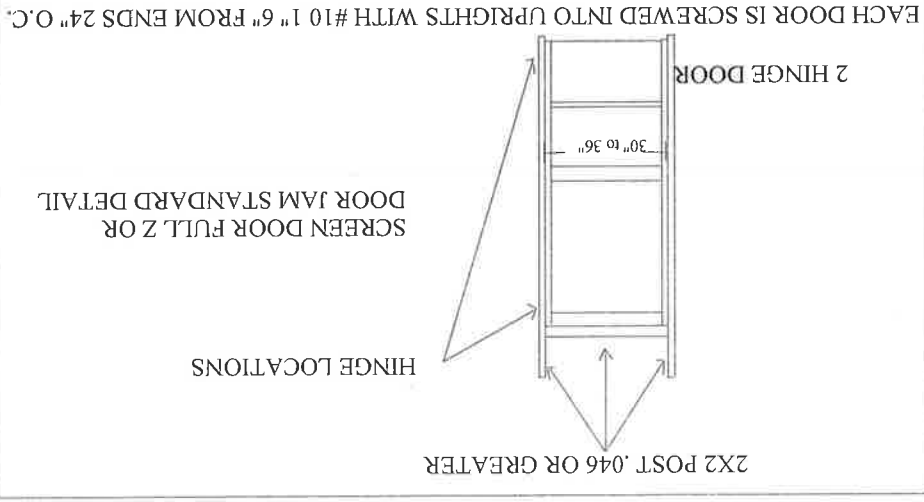
## DESIGN STATEMENT

METAL IS .046 THICKNESS OR GREATER, ALLOW IS 6005-T5  
ALL TAPCONS SHALL PROVIDE MINIMUM OF 1/8" EMBEDMENT DEPTH

THIS STRUCTURE HAS BEEN DESIGNED IN ACCORDANCE TO MEET THE REQUIREMENTS OF THE 2010 EDITION OF THE FLORIDA BUILDING CODE FOR OPEN AND SEMI-OPEN STRUCTURES AND SHALL WITHSTAND ULTIMATE WIND SPEEDS OF 130 MPH (FOR 3 SECOND GUSTS) NOMINAL SPEED 101.4 MPH UP TO A 15FT ROOF HEIGHT, FACTOR OF 1.0, AND EXPOSURE C RISK CATEGORY 1

CONTRACTOR SHALL VERIFY ALL PLANS DIMENSIONS PRIOR TO MATERIAL PURCHASE, FABRICATION AND CONSTRUCTION  
CONTRACTOR SHALL NOTIFY THE ENGINEER IMMEDIATELY SHOULD SITE CONDITIONS DIFFER FROM CONSTRUCTION PLANS

MICHAEL THOMPSON  
5200 VINELAND RD.  
SUITE 250  
ORLANDO, FL 32811  
P.E. # 47509  
CA#9103

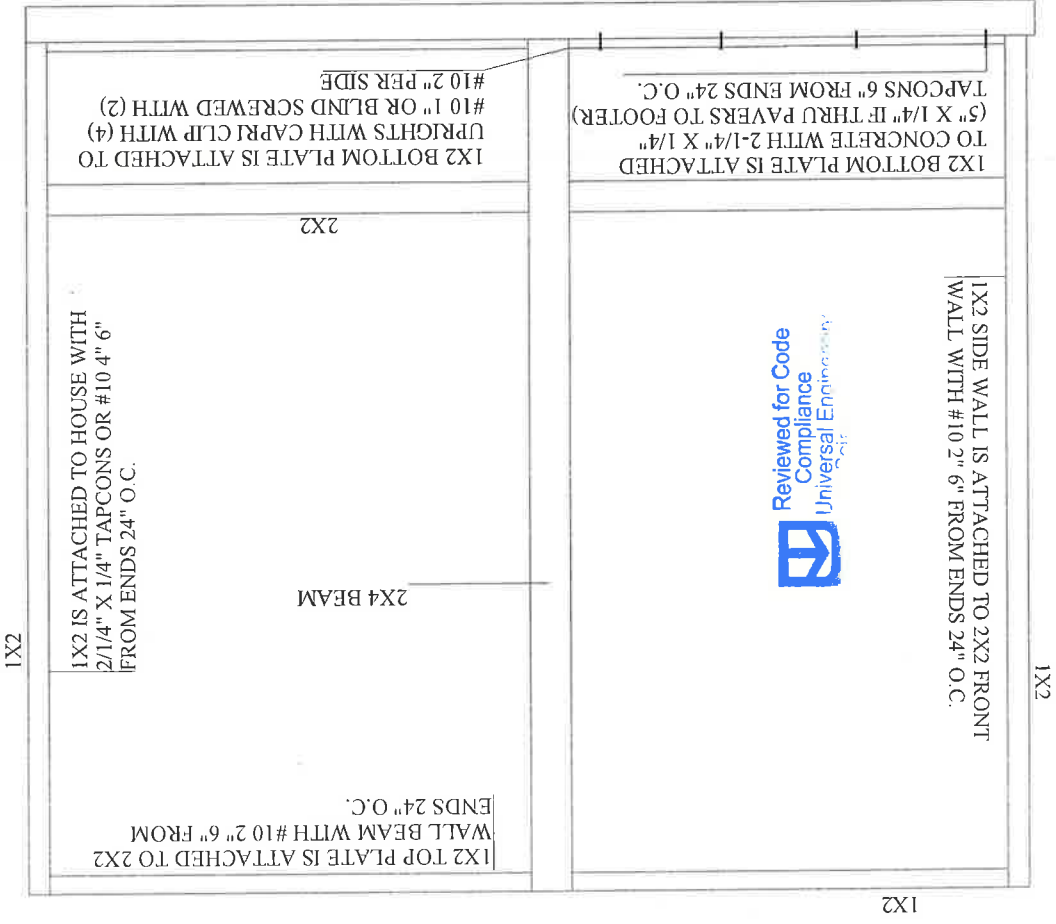


# ALUMINUM SCREEN DESIGN

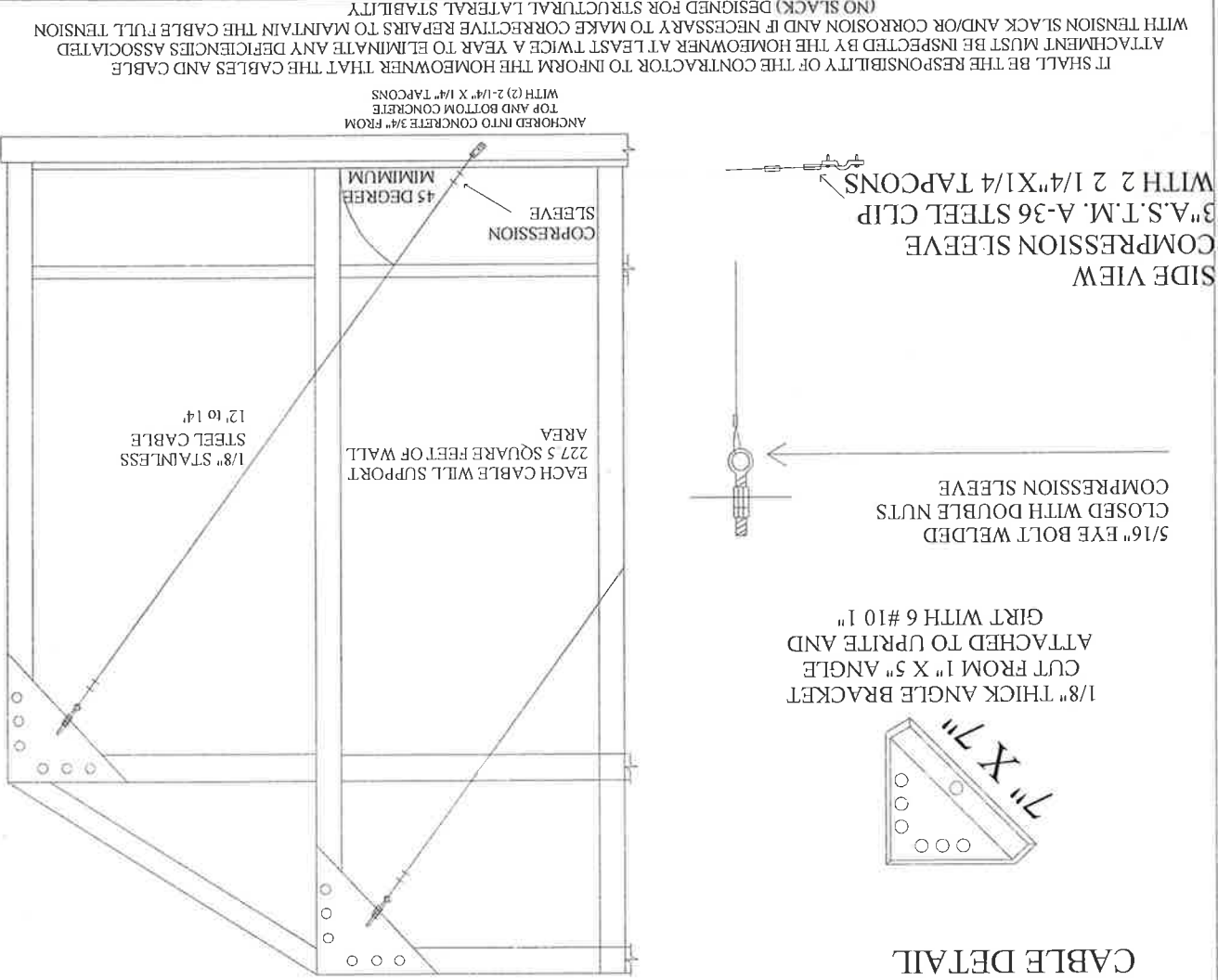
A DIVISION OF DB&C



SIDE WALL DETAIL



CABLE DETAIL



**DESIGN STATEMENT**  
METAL IS .046 THICKNESS OR GREATER, ALLOY IS 6005-T5  
ALL TAPCONS SHALL PROVIDE MINIMUM OF 1/8" EMBEDMENT DEPTH

MICHAEL THOMPSON  
5200 VINELAND RD.  
SUITE 250  
ORLANDO, FL 32811  
P.E. # 47509  
CA#9103

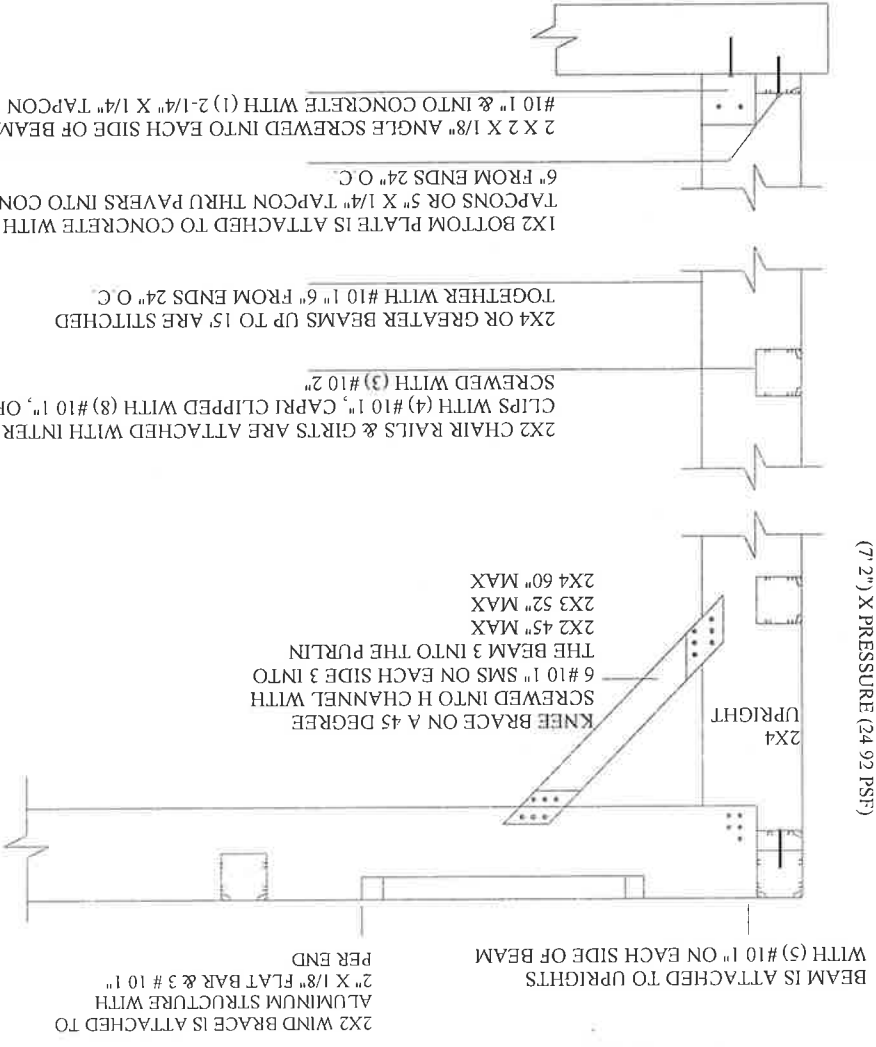
ALUMINUMSCREENDESIGN.COM  
ALUMINUMSCREENDESIGN  
@YAHOO.COM

PHONE #: 386-320-0256  
FAX #: 888-923-8181

THIS STRUCTURE HAS BEEN DESIGNED IN ACCORDANCE TO MEET THE REQUIREMENTS OF THE 2010 EDITION OF THE FLORIDA BUILDING CODE FOR OPEN AND SEMI-OPEN STRUCTURES AND SHALL WITHSTAND ULTIMATE WIND SPEEDS OF 130 MPH (FOR 3 SECOND GUST) NOMINAL SPEED 101.4 MPH UP TO A 15FT ROOF HEIGHT, FACTOR OF 1.0, AND EXPOSURE C RISK CATEGORY 1  
CONTRACTOR SHALL FIELD VERIFY ALL PLANS DIMENSIONS PRIOR TO MATERIAL PURCHASE, FABRICATION AND CONSTRUCTION  
CONTRACTOR SHALL NOTIFY THE ENGINEER IMMEDIATELY SHOULD SITE CONDITIONS DIFFER FROM CONSTRUCTION PLANS

# ALUMINUM SCREEN DESIGN

A DIVISION OF DB&C  
DESIGN - BUILD ENGINEER & CONTRACTORS



BEAMLOAD MAX SPACING  
(7'2") X PRESSURE (24 92 PSF)



ALUMINUMSCREENDESIGN.COM  
ALUMINUMSCREENDESIGN  
@YAHOO.COM  
PHONE #: 386-320-0256  
FAX #: 888-923-8181

## DESIGN STATEMENT

METAL IS .046 THICKNESS OR GREATER, ALLOY IS 6005-T5  
ALL TAPCONS SHALL PROVIDE MINIMUM OF 1/8" EMBEDMENT DEPTH

THIS STRUCTURE HAS BEEN DESIGNED IN ACCORDANCE TO MEET THE REQUIREMENTS OF THE 2010 EDITION OF THE FLORIDA BUILDING CODE FOR OPEN AND SEMI-OPEN STRUCTURES AND SHALL WITHSTAND ULTIMATE WIND SPEEDS OF 130 MPH (FOR 3 SECOND GUSTS) NOMINAL SPEED 101.4 MPH UP TO A 15FT ROOF HEIGHT, FACTOR OF 1.0, AND EXPOSURE C RISK CATEGORY 1  
CONTRACTOR SHALL VERIFY ALL PLANS DIMENSIONS PRIOR TO MATERIAL PURCHASE, FABRICATION AND CONSTRUCTION  
CONTRACTOR SHALL NOTIFY THE ENGINEER IMMEDIATELY SHOULD SITE CONDITIONS DIFFER FROM CONSTRUCTION PLANS

MICHAEL THOMPSON  
5200 VINELAND RD.  
SUITE 250  
ORLANDO, FL 32811  
P.E. # 47509  
CA#9103

